

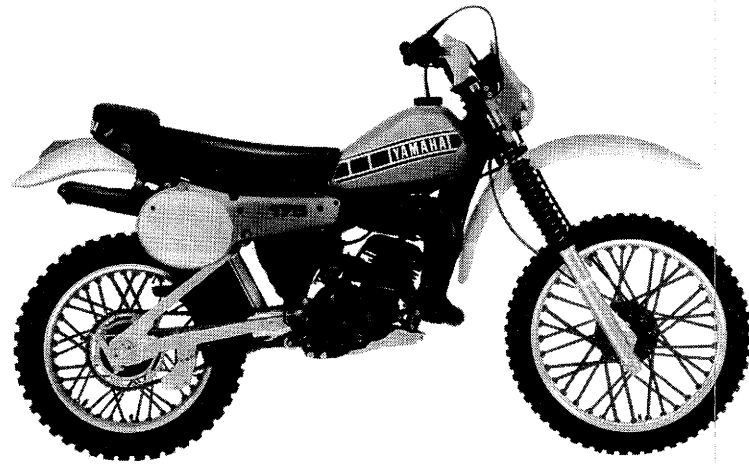
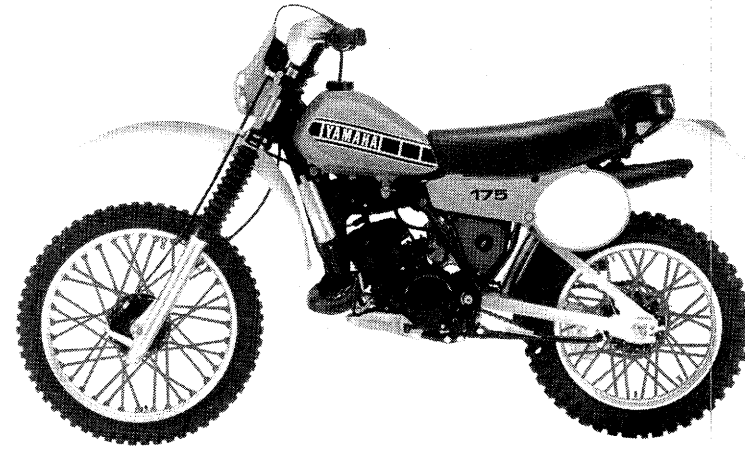
# YAMAHA

## PARTS CATALOGUE

IT175G (3R6)

---







# FOREWORD

This Parts Catalogue is related to the parts in use for the Yamaha IT 175G (3R6).  
When you are ordering replacement parts for the IT 175G (3R6), refer to this Parts Catalogue and quote both part numbers and part names correctly.

1. Modifications or additions which have been made after issue of the Parts Catalogue will be announced in the Yamaha Parts News.  
It is advisable that according to the Yamaha Parts News you make necessary corrections to the Parts Catalogue on hand to keep it up-to-date.

2. Abbreviations

The following abbreviations are used in this Parts Catalogue.

- U.R. Use size (thickness) and/or number as required.
- U.N. Use as many as you need.
- A.P. Alternate Parts
- L.M. Local Made
- F# Frame No. (Applicable machine No.)

3. The parts marked with (\*) in the parts number column of this Catalogue are not supplied with by Yamaha, those have to be found locally.
4. Parts, which are to be supplied in the form of assemblies, are listed with an indentation of one letter's space, and a dot (.) is put against the name of each part.

**EXAMPLE** CARBURETOR ASS'Y  
     . JET, pilot  
     . NOZZLE, main

5. Indication of No. of constituent parts for assembly

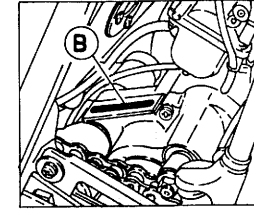
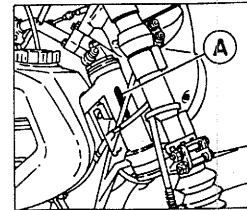
The numeral appearing to the right of each constituent part under the description indicates the quantity of such parts for each individual assembly unit.

**EXAMPLE**

Part No.	Description	Q'ty	Remarks
2F5-83310-60	FRONT FLASHER LIGHT ASS'Y	2	
115-83311-60	. BULB (6V-18W)	1	
1M1-83309-60	. REFLECTOR	1	

6. Initial Serial No. and Color Code

(A) Frame Serial No.	3R6-000101 and following
(B) Engine Serial No.	3R6-000101 and following



Color Code	Color Name	Abbreviate

7. Applicable colors of graphics are represented in the "Remarks" column by the letter(s) appropriately picked out of the full word(s) showing such colors.

**EXAMPLE**

Part No.	Description	Q'ty	Remarks
2N4-24110-00-X5	FUEL TANK COMP.	1	MAXIM RED
3J1-24240-10	. GRAPHIC, fuel tank set	1	for MXR

# CONTENTS

## ENGINE

Fig. 1	Cylinder .....	1
Fig. 2	Crankshaft - Piston .....	2
Fig. 3	C.D.I Magneto .....	3
Fig. 4	Intake .....	4
Fig. 5	Carburetor .....	5
Fig. 6	Exhaust .....	7
Fig. 7	Crankcase .....	8
Fig. 8	Crankcase Cover .....	9
Fig. 9	Kick Starter .....	10
Fig. 10	Clutch .....	11
Fig. 11	Transmission .....	12
Fig. 12	Shift Cam - Fork .....	14
Fig. 13	Shift Shaft - Pedal .....	15

## CHASSIS

Fig. 14	Frame .....	16
Fig. 15	Front Fender - Rear Fender .....	17
Fig. 16	Side Cover .....	18
Fig. 17	Rear Arm .....	19
Fig. 18	Rear Suspension .....	21
Fig. 19	Steering .....	23
Fig. 20	Front Fork .....	24
Fig. 21	Fuel Tank .....	26
Fig. 22	Seat .....	28
Fig. 23	Front Wheel .....	29
Fig. 24	Rear Wheel .....	30
Fig. 25	Handlebar - Cable .....	32
Fig. 26	Stand - Footrest .....	34
Fig. 27	Meter .....	36
Fig. 28	Headlight .....	37
Fig. 29	Taillight .....	38

Fig. 30	Electrical 1 .....	39
---------	--------------------	----

Fig. 31	Handle Switch - Lever .....	40
---------	-----------------------------	----

## ALTERNATE PARTS

Fig. 32	Alternate (Chassis) .....	41
---------	---------------------------	----

## REPAIR KIT

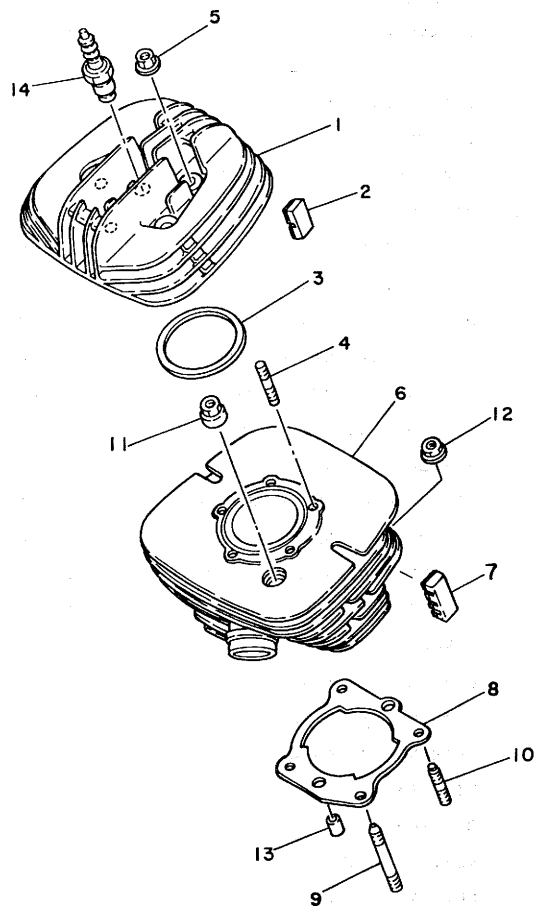
Fig. 33	Repair Kit .....	42
---------	------------------	----

## INDEX

Numerical Index

Parts Name Index

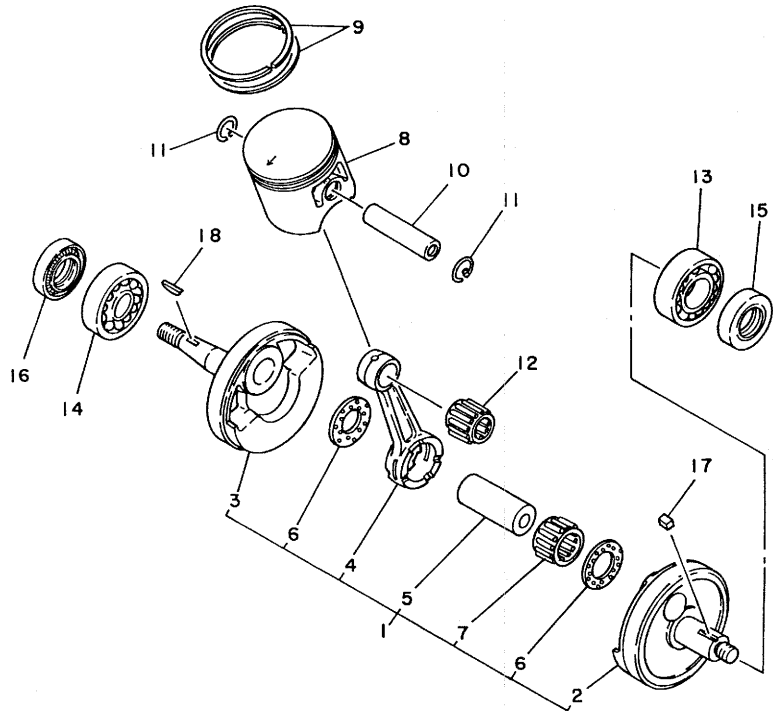
FIG. 1 CYLINDER



REF. NO.	PART NO.	DESCRIPTION	Q'TY	REMARKS
1	3R6-11111-00	HEAD, cylinder 1	1	
2	3R6-11161-00	ABSORBER 1	4	
3	3R6-11181-00	GASKET, cylinder head 1	1	
4	90116-08321	BOLT, stud	5	
5	90179-08299	NUT	5	
6	3R6-11311-00	CYLINDER 1	1	
7	3R6-11162-00	ABSORBER 2	4	
8	3R3-11351-00	GASKET, cylinder	1	
9	90116-08319	BOLT, stud	1	
10	90116-08318	BOLT, stud	3	
11	90179-08293	NUT	1	
12	90179-08299	NUT	3	
13	91810-02014	PIN, dowel	2	
14	*	PLUG, sPark (CHAMPION N2G)	1	LM



FIG. 2 CRANKSHAFT·PISTON

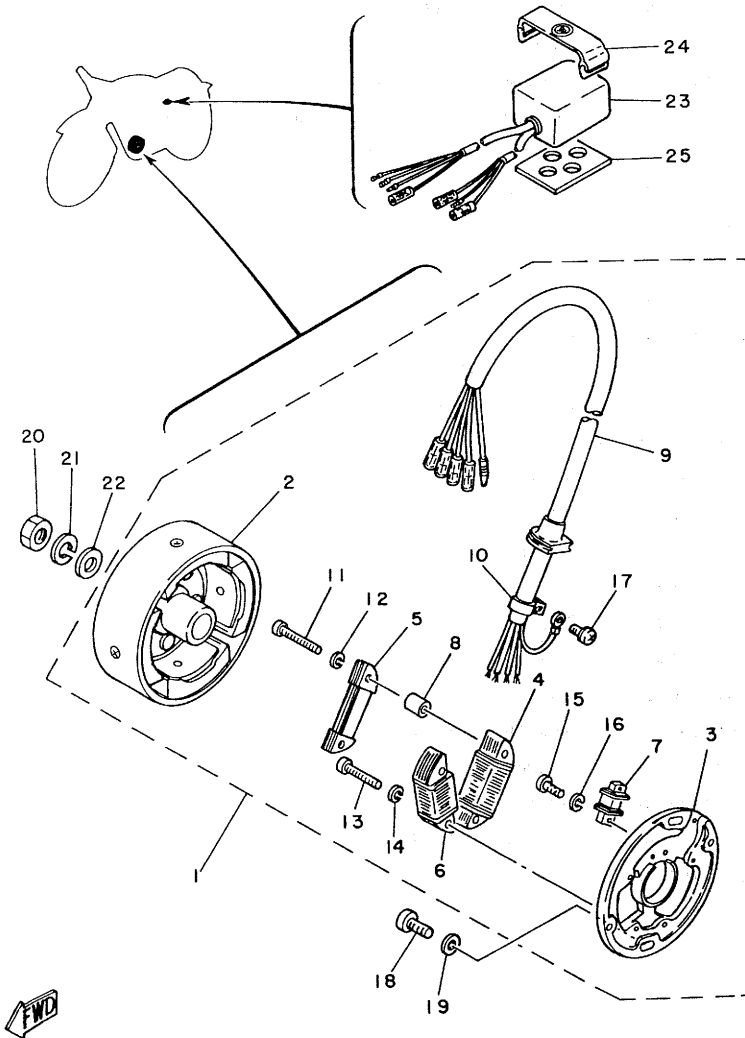


REF. NO.	PART NO.	DESCRIPTION	Q'TY	REMARKS
1	3R6-11400-00	CRANKSHAFT ASSY	1	
2	3R3-11412-00	•CRANK 1	1	
3	3R6-11422-00	•CRANK 2	1	
4	1G8-11651-00	•ROD, connecting	1	
5	3M5-11681-00	•PIN, crank 1	1	
6	90209-22071	•WASHER	2	
7	93310-422H0	•BEARING, cylindrical	1	
8	3R6-11631-00-96	PISTON (STD)	1	UR
	3R6-11631-00-97	PISTON (STD)	1	UR
	3R6-11635-00	PISTON (1ST O/S 0.25MM)	1	AP
	3R6-11636-00	PISTON (2ND O/S 0.50MM)	1	AP
	3R6-11637-00	PISTON (3RD O/S 0.75MM)	1	AP
	3R6-11638-00	PISTON (4TH O/S 1.00MM)	1	AP
9	2W6-11601-00	PISTON RING SET (STD)	1	UR
	2W6-11601-10	PISTON RING SET (1ST O/S)	1	AP
	2W6-11601-20	PISTON RING SET (2ND O/S)	1	AP
	2W6-11601-30	PISTON RING SET (3RD O/S)	1	AP
	2W6-11601-40	PISTON RING SET (4TH O/S)	1	AP
10	251-11633-00	PIN, Piston	1	
11	93450-17025	CIRCLIP	2	
12	93310-216E1	BEARING, cylindrical	1	
13	93306-30406	BEARING (B6304C3)	1	
14	93306-20529	BEARING (B6205C4)	1	
15	93103-28100	OIL SEAL	1	
16	93102-25214	OIL SEAL	1	
17	90282-05038	KEY, straight	1	
18	90280-03017	KEY, woodruff	1	



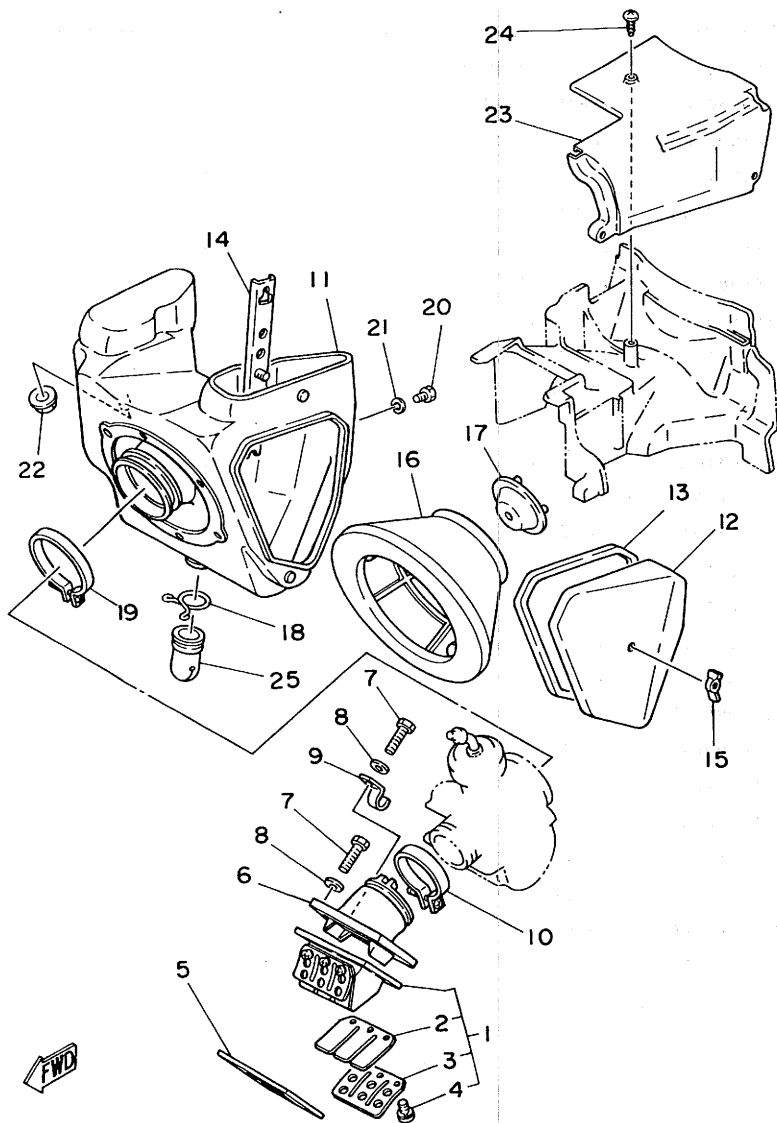


FIG. 3 C.D.I MAGNETO



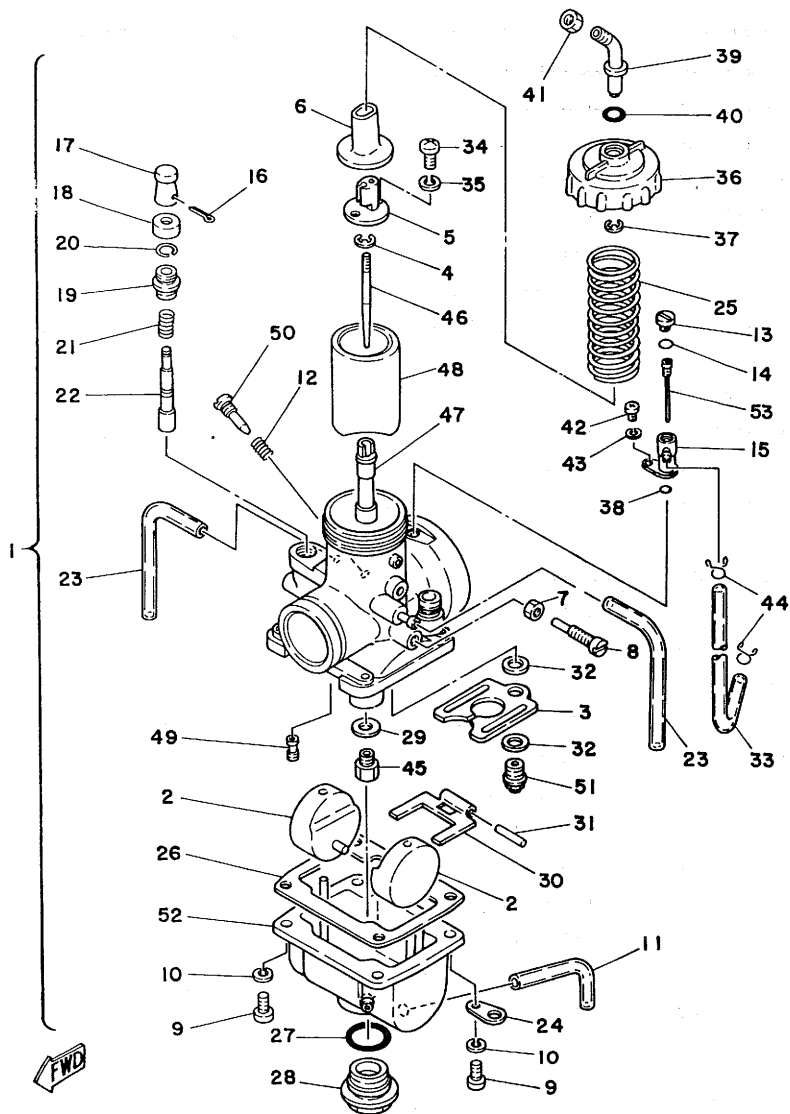
REF. NO.	PART NO.	DESCRIPTION	Q'TY	REMARKS
1	3R6-85500-20	C.D.I. MAGNETO ASSY	1	
2	3R6-85550-20	.ROTOR ASSY	1	
3	3R5-85509-20	.BASE, magneto	1	
4	3R5-85511-20	.COIL, source	1	
5	3R5-85512-20	.COIL, source	1	
6	1W2-85513-20	.COIL, lighting 1	1	
7	3R6-85580-20	.COIL, Pulser	1	
8	1W2-85516-20	.SPACER	2	
9	3R6-85515-20	.LEAD WIRE ASSY	1	
10	104-81328-20	.CLAMP	1	
11	98501-04035	.SCREW, Pan head	2	
12	92901-04100	.WASHER, sPring	2	
13	98501-04030	.SCREW, Pan head	2	
14	92901-04100	.WASHER, sPring	2	
15	98501-04014	.SCREW, Pan head	1	
16	92901-04100	.WASHER, sPring	1	
17	110-81345-21	.SCREW, Pan head	1	
18	92501-06015	SCREW, Pan head	2	
19	92901-06600	WASHER, Plate	2	
20	90170-12067	NUT	1	
21	92901-12100	WASHER, sPring	1	
22	90201-12593	WASHER, Plate	1	
23	2W6-85540-20	C.D.I. UNIT ASSY	1	
24	288-21376-00	BAND, tool	1	
25	2K7-85547-00	DAMPER	1	

FIG. 4 INTAKE



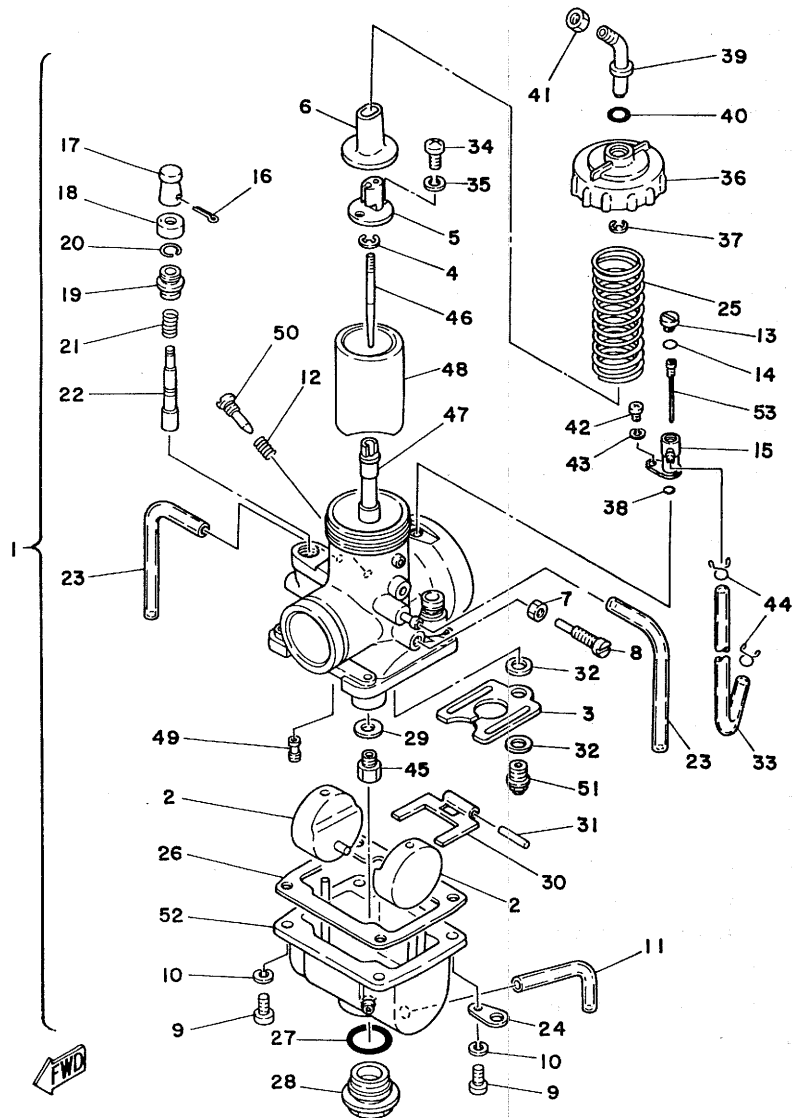
REF. NO.	PART NO.	DESCRIPTION	Q'TY	REMARKS
1	3R6-13610-00	REED VALVE ASSY	1	
2	3R3-13613-00	•REED, valve	2	
3	3R6-13616-00	•STOPPER, reed valve	2	
4	97602-03108	•SCREW, Pan head with washer	6	
5	3R3-13621-00	GASKET, valve seat	1	
6	3R3-13565-00	JOINT, carburetor	1	
7	97301-06025	BOLT	4	
8	92901-06600	WASHER, Plate	4	
9	90462-05005	CLAMP	1	
10	90460-49058	CLAMP, hose	1	
11	3R6-14401-01	AIR CLEANER CASE ASSY	1	
12	3R3-14412-01	CAP, cleaner case 1	1	
13	3R3-14452-00	SEAL	1	
14	3R3-14494-00	STAY 2	1	
15	90175-06012	NUT, wing	1	
16	3R3-14450-00	ELEMENT ASSY, air cleaner	1	
17	3R3-14468-00	PLATE, element fitting	1	
18	90467-20030	CLIP	1	
19	90460-64065	CLAMP, hose	1	
20	97301-06012	BOLT	2	
21	92901-06100	WASHER, sPring	2	
22	90480-13197	GROMMET	1	
23	3R6-14437-00	DUCT	1	
24	97702-50116	SCREW, tapping	1	
25	3R6-14457-00	SEAL	1	

FIG. 5 CARBURETOR



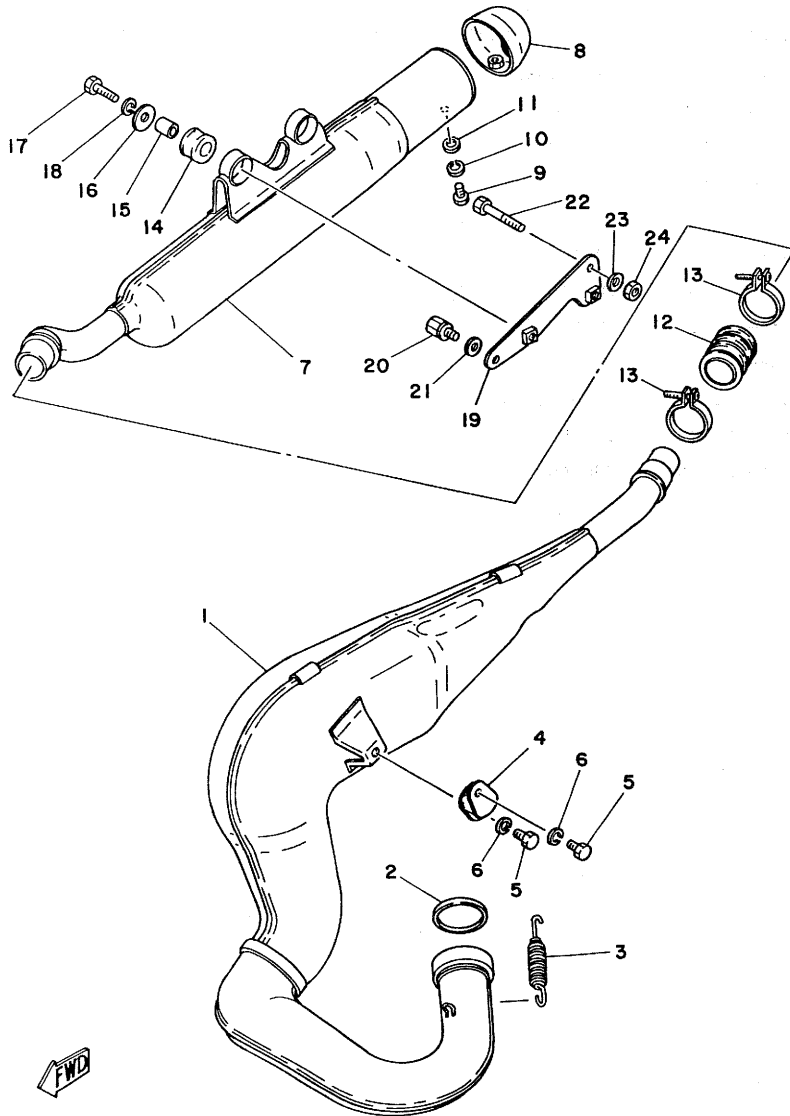
REF. NO.	PART NO.	DESCRIPTION	Q'TY	REMARKS
1	3R6-14101-00	CARBURETOR ASSY 1	1	
2	3L0-14185-00	•FLOAT	2	
3	483-14146-00	•PLATE	1	
4	164-14137-00	•CLIP	1	
5	509-14274-00	•CONNECTOR	1	
6	509-14136-00	•SEAT, sPring	1	
7	802-14161-00	•NUT, cable adjusting	1	
8	204-14122-00	•SCREW, throttle	1	
9	98501-05015	•SCREW, Pan head	4	
10	92902-05100	•WASHER, sPring	4	
11	493-14196-00	•PIPE	1	
12	127-14134-00	•SPRING, air adjusting	1	
13	3G2-14115-00	•PLUG, screw	1	
14	822-14147-00	•O-RING	1	
15	1X2-14244-00	•HOLDER, nozzle	1	
16	91402-16015	•PIN, cotter	1	
17	737-14261-00	•HOLDER	1	
18	637-14173-00	•COVER, Plunger cap	1	
19	152-14174-00	•CAP, Plunger	1	
20	353-14138-00	•CLIP, Plunger	1	
21	132-14135-00	•SPRING, Plunger	1	
22	737-14171-01	•PLUNGER, starter	1	
23	310-14197-00	•PIPE	2	
24	313-14146-00	•PLATE	2	
25	363-14131-00	•SPRING, throttle valve	1	
26	483-14184-00	•GASKET, float chamber	1	
27	2K6-14147-00	•O-RING	1	
28	2K6-14115-00	•PLUG, screw	1	

FIG. 5 CARBURETOR



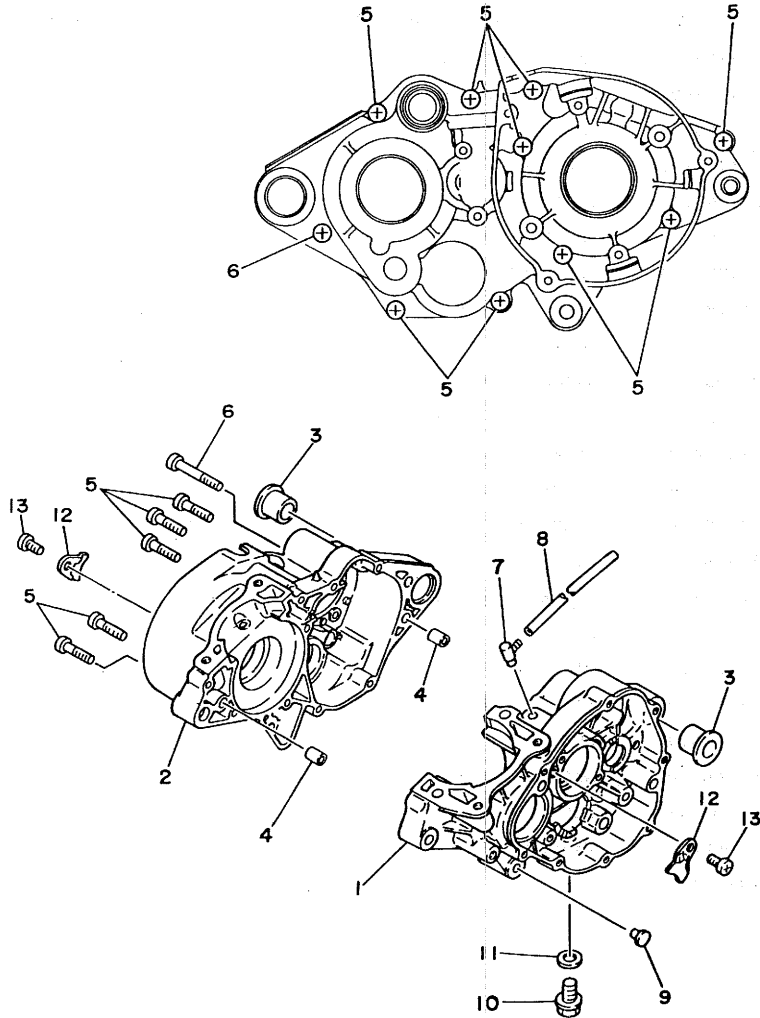
REF. NO.	PART NO.	DESCRIPTION	Q'TY	REMARKS
29	537-14153-00	•WASHER, main Jet	1	
30	310-14187-00	•ARM, float	1	
31	537-14186-00	•PIN, float	1	
32	239-14195-00	•WASHER, needle valve	2	
33	3V3-14987-00	•HOSE	1	
34	98502-03007	•SCREW, Pan head	2	
35	92901-03100	•WASHER, spring	2	
36	3R3-14158-00	•TOP, mixing chamber	1	
37	363-14137-00	•CLIP	1	
38	214-14147-00	•O-RING	1	
39	3R3-14155-00	•GUIDE, cable	1	
40	8F2-14147-00	•O-RING	1	
41	127-14161-00	•NUT, cable adjusting	1	
42	98502-04008	•SCREW, Pan head	1	
43	92902-04100	•WASHER, spring	1	
44	8A7-14139-00	•CLIP, Pipe	2	
45	137-14143-42	•JET, main (#210)	1	UR STD
	137-14143-40	•JET, main (#200)	1	UR
	137-14143-44	•JET, main (#220)	1	UR
46	239-14116-21	•NEEDLE	1	
47	239-14141-48	•NOZZLE, main	1	
48	3R6-14112-20	•VALVE, throttle 1	1	
49	193-14142-60	•JET, Pilot (#60.0)	1	
50	152-14123-00	•SCREW, air adjusting	1	
51	239-14190-33	•NEEDLE VALVE ASSY	1	
52	3R6-14181-16	•BODY, float chamber 1	1	
53	256-14944-67	•JET, power	1	

FIG. 6 EXHAUST



REF. NO.	PART NO.	DESCRIPTION	Q'TY	REMARKS
1	3R6-14610-00	EXHAUST PIPE ASSY 1	1	
2	3R6-14613-01	GASKET, exhaust Pipe	1	
3	90507-20030	SPRING, tension	2	
4	565-14771-00	STAY, muffler 1	1	
5	97301-06012	BOLT	2	
6	92901-06100	WASHER, sPrinG	2	
7	3R6-14753-00	SILENCER, exhaust	1	
8	1W2-14787-00	CAP, silencer	1	
9	97301-06012	BOLT	1	
10	92901-06100	WASHER, sPrinG	1	
11	92901-06600	WASHER, Plate	1	
12	1W2-14714-00	GASKET, muffler	1	
13	90460-37026	CLAMP, hose	2	
14	90480-22269	GROMMET	2	
15	90387-081A3	COLLAR	2	
16	156-24186-00	WASHER, sPecial	2	
17	97301-08030	BOLT	2	
18	92901-08100	WASHER, sPrinG	2	
19	3R6-14781-00	STAY, muffler 2	1	
20	90109-08573	BOLT	1	
21	92901-08200	WASHER, Plain	1	
22	97301-06045	BOLT	1	
23	90201-06067	WASHER, Plate	1	
24	95601-06100	NUT, u	1	

FIG. 7 CRANKCASE

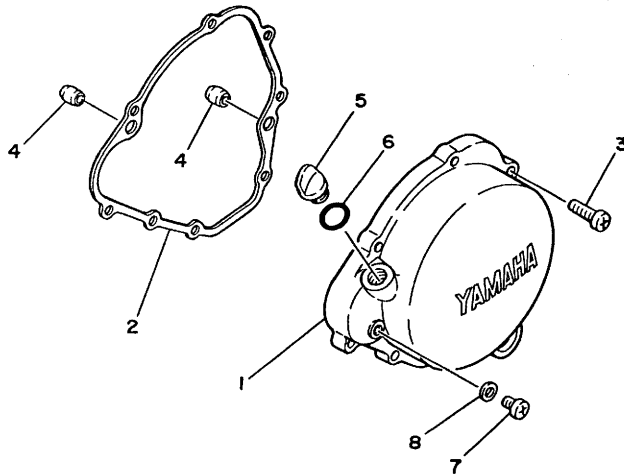
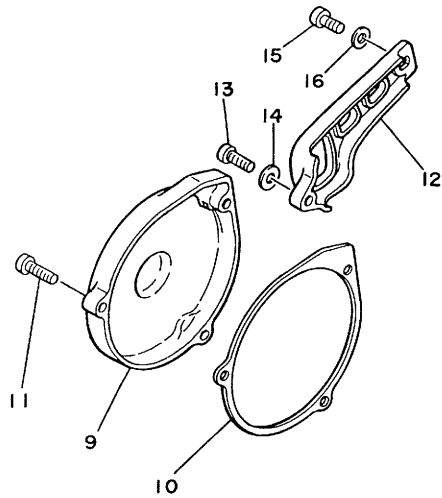


REF. NO.	PART NO.	DESCRIPTION	Q'TY	REMARKS
1	3R3-15111-02	CRANKCASE 1	1	
2	3R3-15121-01	CRANKCASE 2	1	
3	90387-16781	COLLAR	2	
4	91810-02014	PIN, dowel	2	
5	92506-06030	SCREW, Pan head	9	
6	92506-06050	SCREW, Pan head	1	
7	2N4-15371-00	BREATHER	1	
8	90445-07340	HOSE	1	
9	90338-07011	PLUG	1	
10	90340-12059	PLUG, straight screw	1	
11	90430-12038	GASKET	1	
12	3R3-15128-00	HOLDER	2	
13	92501-08010	SCREW, Pan head	2	

FWD

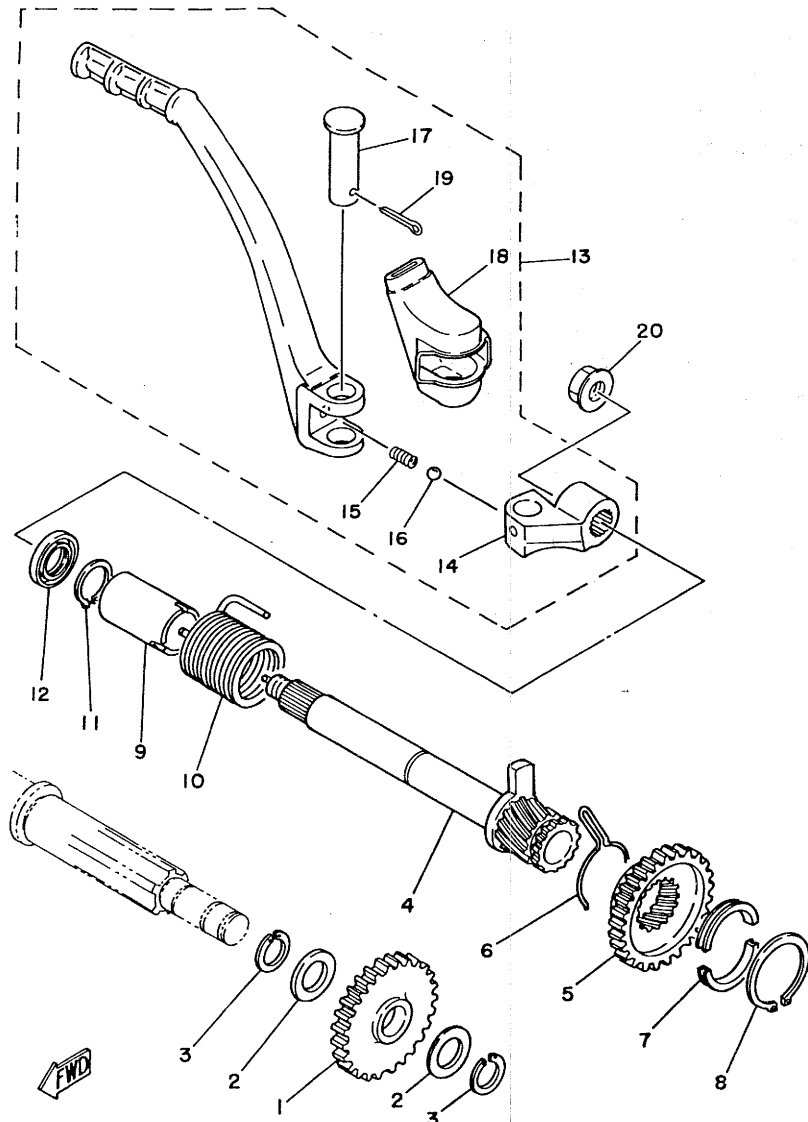
FIG. 8 CRANKCASE COVER

REF. NO.	PART NO.	DESCRIPTION	Q'TY	REMARKS
1	3R3-15411-00	COVER, crankcase 1	1	
2	3R3-15451-01	GASKET, crankcase cover	1	
3	92506-06025	SCREW, Pan head	8	
4	91810-02014	PIN, dowel	2	
5	1G8-15362-00	PLUG, oil level	1	
6	93210-14104	O-RING	1	
7	92506-06008	SCREW, Pan head	1	
8	90430-06016	GASKET	1	
9	3R6-15421-00	COVER, crankcase 2	1	
10	3R3-15455-00	GASKET, carburetor cover 1	1	
11	92506-06025	SCREW, Pan head	3	
12	3R3-15431-00	COVER, crankcase 3	1	
13	92501-06015	SCREW, Pan head	1	
14	90201-06067	WASHER, Plate	1	
15	92501-06020	SCREW, Pan head	1	
16	92901-06200	WASHER, Plain	1	



FWD

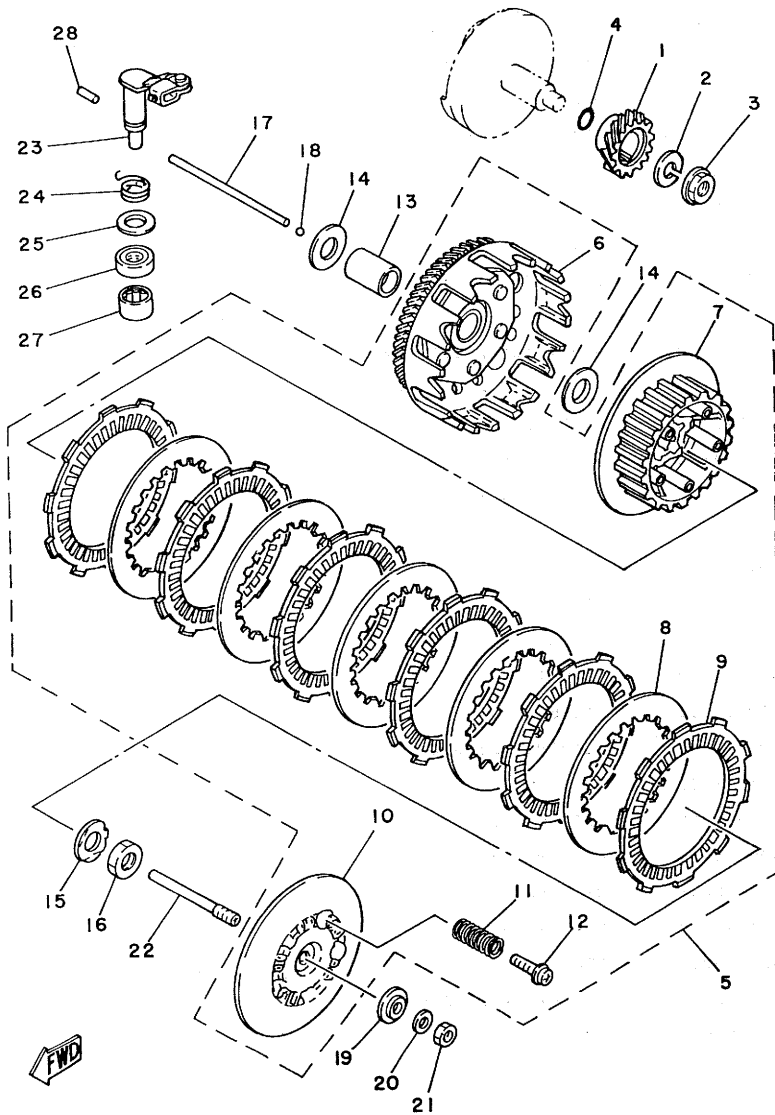
FIG. 9 KICK STARTER



REF. NO.	PART NO.	DESCRIPTION	Q'TY	REMARKS
1	3R3-15651-01	GEAR, sProcket idle (25T)	1	
2	137-17417-00-05	SHIM (0.5T)	2	
3	93440-15012	CIRCLIP	2	
4	3R3-15660-00	KICK AXLE ASSY	1	
5	3R3-15641-00	GEAR, kick (25T)	1	
6	90468-26048	CLIP	1	
7	248-15654-00	HOLDER, kick gear	2	
8	93410-30012	CIRCLIP	1	
9	3R3-15666-00	SPACER	1	
10	90508-26427	SPRING, torsion	1	
11	93410-17037	CIRCLIP	1	
12	93101-17062	OIL SEAL	1	
13	3R3-15620-00	KICK CRANK ASSY	1	
14	3R3-15621-00	•BOSS, kick crank	1	
15	90501-12081	•SPRING, compression	1	
16	93507-32009	•BALL	1	
17	91702-12040	•PIN, clevis	1	
18	3R3-15618-01	•COVER, kick lever	1	
19	91401-40020	•PIN, cotter	1	
20	90179-10272	NUT	1	

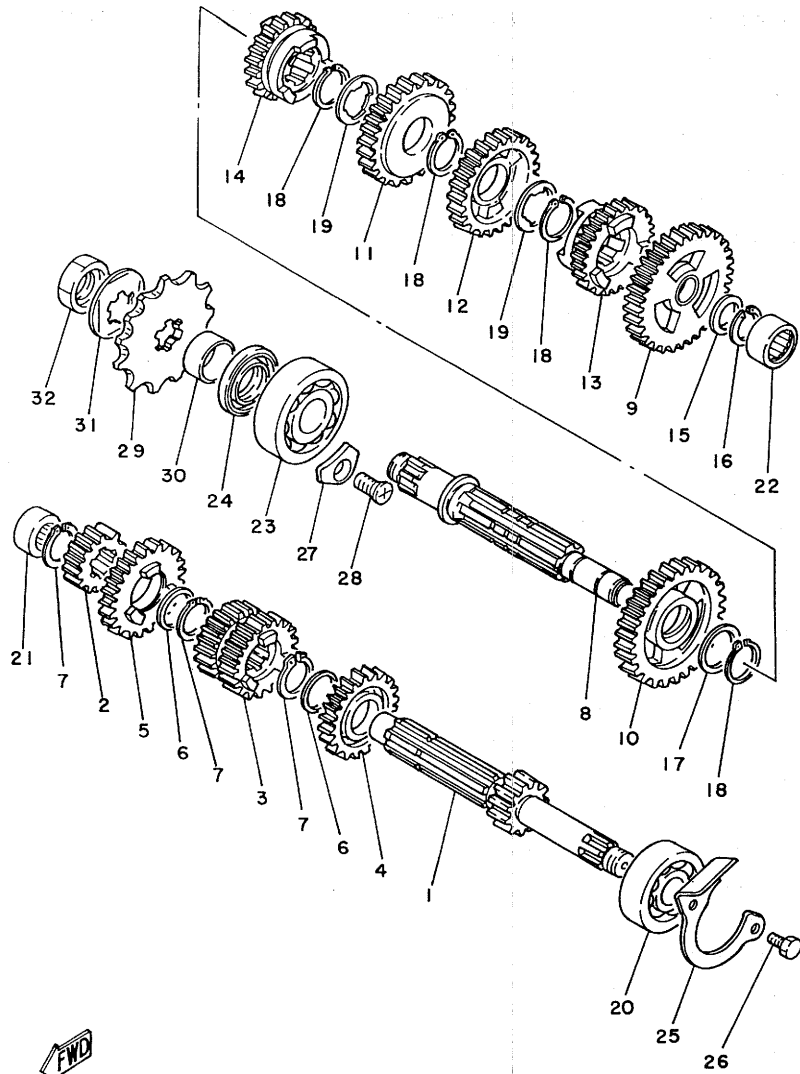


FIG. 10 CLUTCH



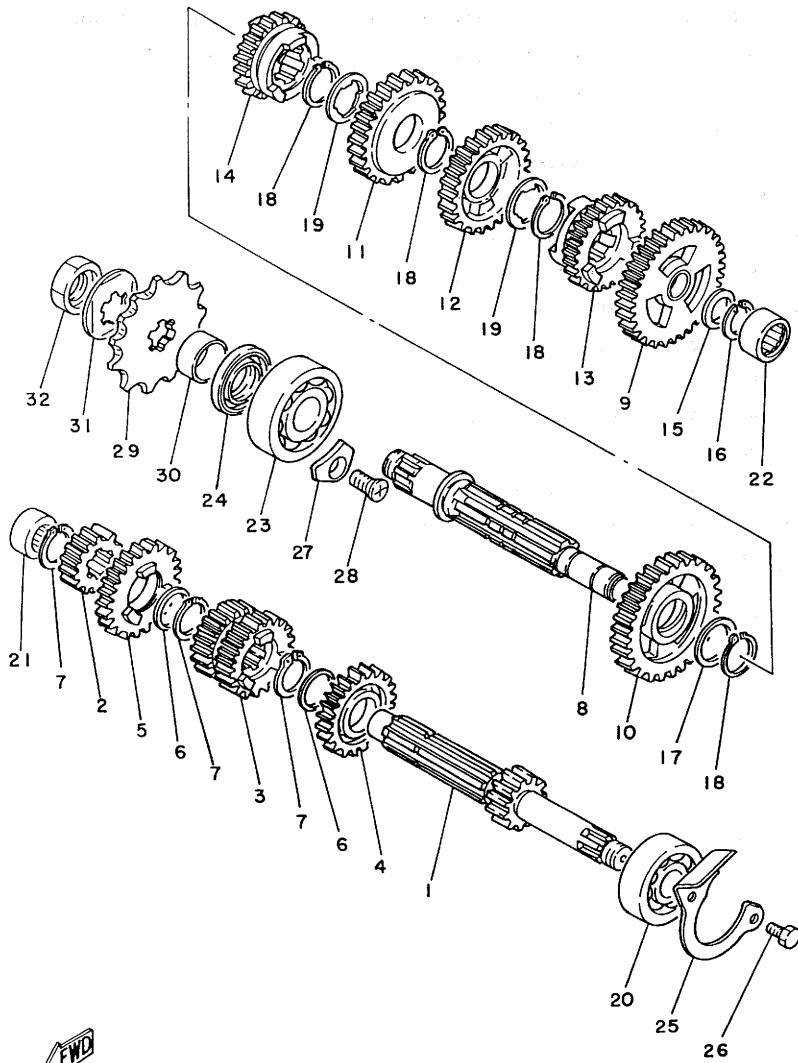
REF. NO.	PART NO.	DESCRIPTION	Q'TY	REMARKS
1	3R6-16111-00	GEAR, Primary drive (17T)	1	
2	90204-12007	WASHER, sPring	1	
3	90179-12302	NUT	1	
4	93210-20027	O-RING	1	
5	3R6-16300-00	CLUTCH ASSY	1	
6	3R6-16150-00	.PRIMARY DRIVEN GEAR COMP.(52T	1	
7	1G8-16371-00	.BOSS, clutch	1	
8	137-16325-70	.PLATE, clutch 2	5	
9	537-16321-00	.PLATE, friction	6	
10	1W1-16351-00	.PLATE, Pressure 1	1	
11	90501-20361	.SPRING, comPrission	5	
12	90159-05011	.SCREW, with washer	5	
13	90560-17190	SPACER	1	
14	90201-17550	WASHER, Plate	2	
15	90215-14144	WASHER, lock	1	
16	90170-14171	NUT	1	
17	2X3-16357-00	ROD, Push 2	1	
18	93503-16010	BALL	1	
19	1W1-16358-00	PLATE, Push	1	
20	92901-06200	WASHER, Plain	1	
21	95301-06600	NUT	1	
22	1W1-16356-00	ROD, Push 1	1	
23	3R3-16380-01	PUSH LEVER ASSY	1	
24	90508-14426	SPRING, torsion	1	
25	90201-14217	WASHER, Plate	1	
26	93104-14004	OIL SEAL	1	
27	93315-21429	BEARING, cylindrical	1	
28	93604-16092	PIN, dowel	1	

FIG. 11 TRANSMISSION



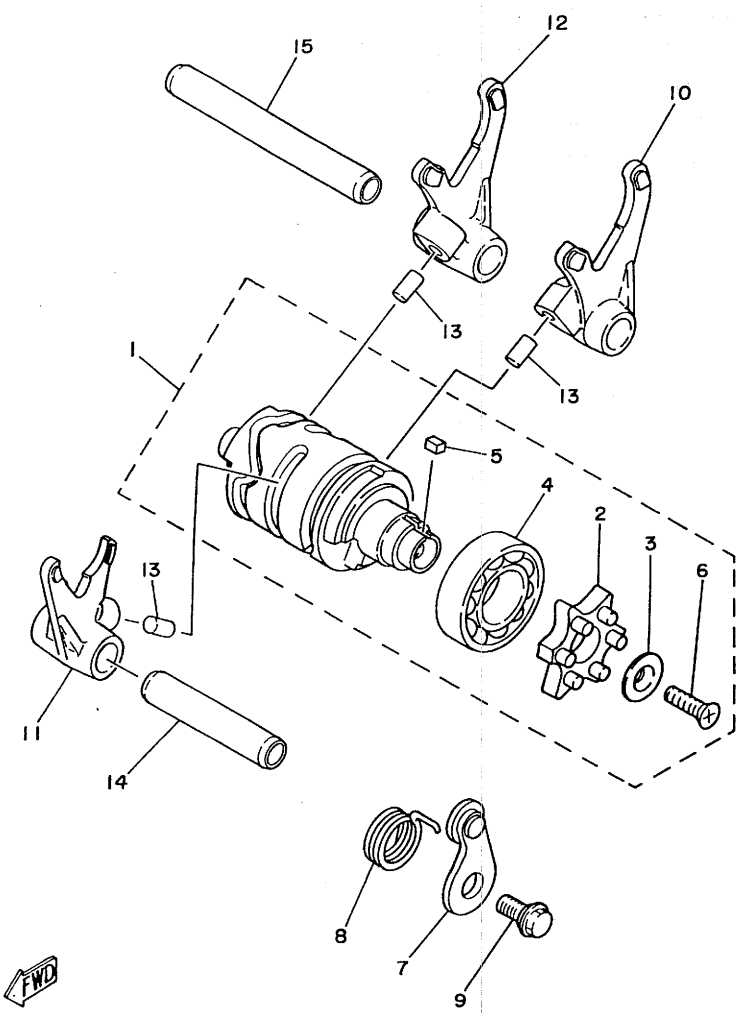
REF. NO.	PART NO.	DESCRIPTION	Q'TY	REMARKS
1	3R6-17411-00	AXLE, main (11T)	1	
2	3R6-17121-00	GEAR, 2nd Pinion (13T)	1	
3	3R6-17131-00	GEAR, 3rd/4th Pinion (16T,21T)	1	
4	3R6-17151-00	GEAR, 5th Pinion (20T)	1	
5	3R6-17161-00	GEAR, 6th Pinion (22T)	1	
6	90201-20266	WASHER, Plate	2	
7	93410-20038	CIRCLIP	3	
8	3R3-17421-00	AXLE, drive	1	
9	3R6-17211-00	GEAR, 1st wheel (34T)	1	
10	3R6-17221-00	GEAR, 2nd wheel (27T)	1	
11	3R3-17231-00	GEAR, 3rd wheel (24T)	1	
12	3R6-17241-00	GEAR, 4th wheel (25T)	1	
13	3R6-17251-00	GEAR, 5th wheel (20T)	1	
14	3R6-17261-00	GEAR, 6th wheel (18T)	1	
15	90201-15701	WASHER, Plate (1.0T)	1	
16	93440-15012	CIRCLIP	1	
17	90201-22555	WASHER, Plate	1	
18	93410-22039	CIRCLIP	4	
19	90209-18135	WASHER	2	
20	93306-30303	BEARING (B6302Z)	1	
21	93311-41530	BEARING, cylindrical	1	
22	93311-31515	BEARING, cylindrical	1	
23	93306-30411	BEARING (B6304)	1	
24	93102-26042	OIL SEAL	1	
25	3R3-17471-00	PLATE, cover	1	
26	97321-06012	BOLT	2	
27	2K7-15383-00	PLATE, bearing cover	1	
28	92701-06012	SCREW, flat head	1	

FIG. 11 TRANSMISSION



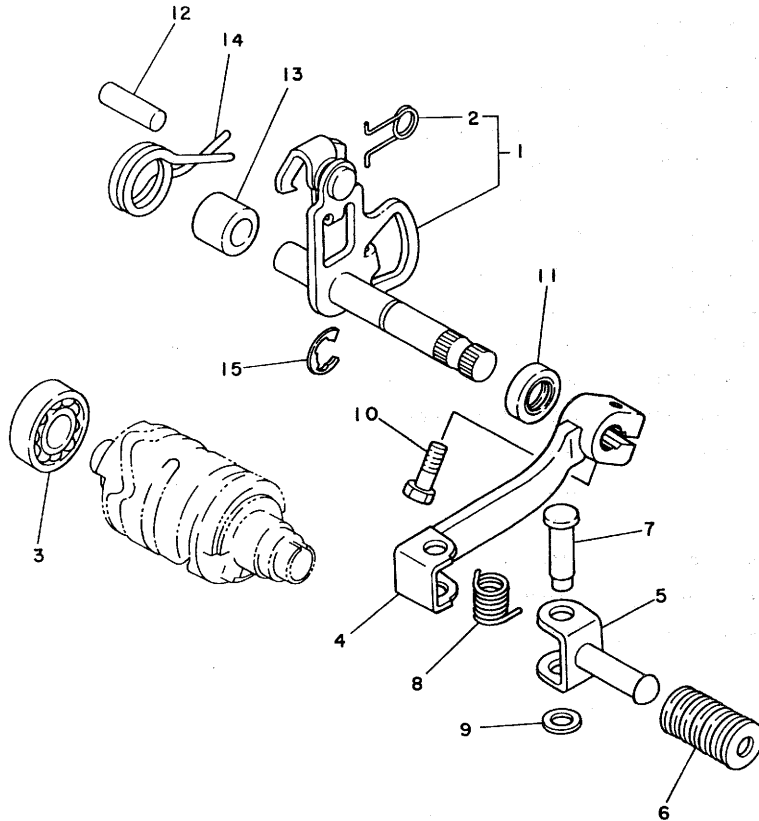
REF. NO.	PART NO.	DESCRIPTION	Q'TY	REMARKS
29	1W1-17461-20	SPROCKET, drive (12T)	1	UR STD
	1G8-17461-10	SPROCKET, drive (11T)	1	UR
	1G8-17461-30	SPROCKET, drive (13T)	1	UR
30	90387-202A0	COLLAR	1	
31	90215-16127	WASHER, lock	1	
32	90179-16226	NUT	1	

FIG. 12 SHIFT CAM·FORK



REF. NO.	PART NO.	DESCRIPTION	Q'TY	REMARKS
1	3R3-18540-01	SHIFT CAM ASSY	1	
2	3R4-18185-00	•SEGMENT	1	
3	3R4-18561-00	•PLATE, side 1	1	
4	93306-00421	•BEARING	1	
5	90282-04036	•KEY, straight	1	
6	98701-05016	•SCREW, flat head	1	
7	3R3-18140-00	STOPPER LEVER ASSY	1	
8	90508-26435	SPRING, torsion	1	
9	1W1-18177-00	BOLT, stopper	1	
10	3R3-18511-00	FORK, shift 1	1	
11	3R3-18512-00	FORK, shift 2	1	
12	3R3-18513-00	FORK, shift 3	1	
13	90250-06013	PIN, straight	3	
14	3R4-18531-00	BAR, shift fork guide 1	1	
15	3R4-18535-00	BAR, shift fork guide 2	1	

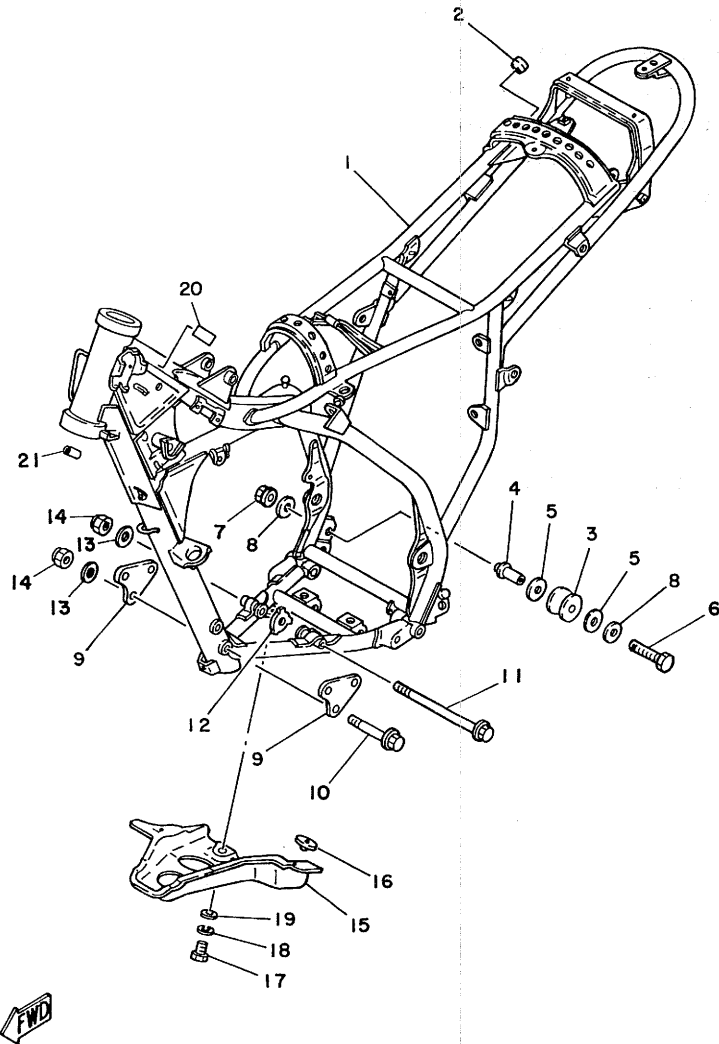
FIG. 13 SHIFT SHAFT.PEDAL



REF. NO.	PART NO.	DESCRIPTION	Q'TY	REMARKS
1	3R3-18101-01	SHIFT SHAFT ASSY	1	
2	90508-09420	.SPRING, torsion	1	
3	93306-20107	BEARING (B6201)	1	
4	3R6-18111-00	PEDAL, shift	1	
5	3R8-18162-00	PEDAL, shift	1	
6	1W6-18113-00	CDVER, shift Pedal	1	
7	90243-08017	PIN	1	
8	90508-20415	SPRING, torsion	1	
9	90201-06042	WASHER, Plate	1	
10	97321-06025	BDLT	1	
11	93101-12060	OIL SEAL	1	
12	93608-25150	PIN, dowel	1	
13	90560-11189	SPACER	1	
14	90508-32374	SPRING, torsion	1	
15	93430-10016	CIRCLIP	1	

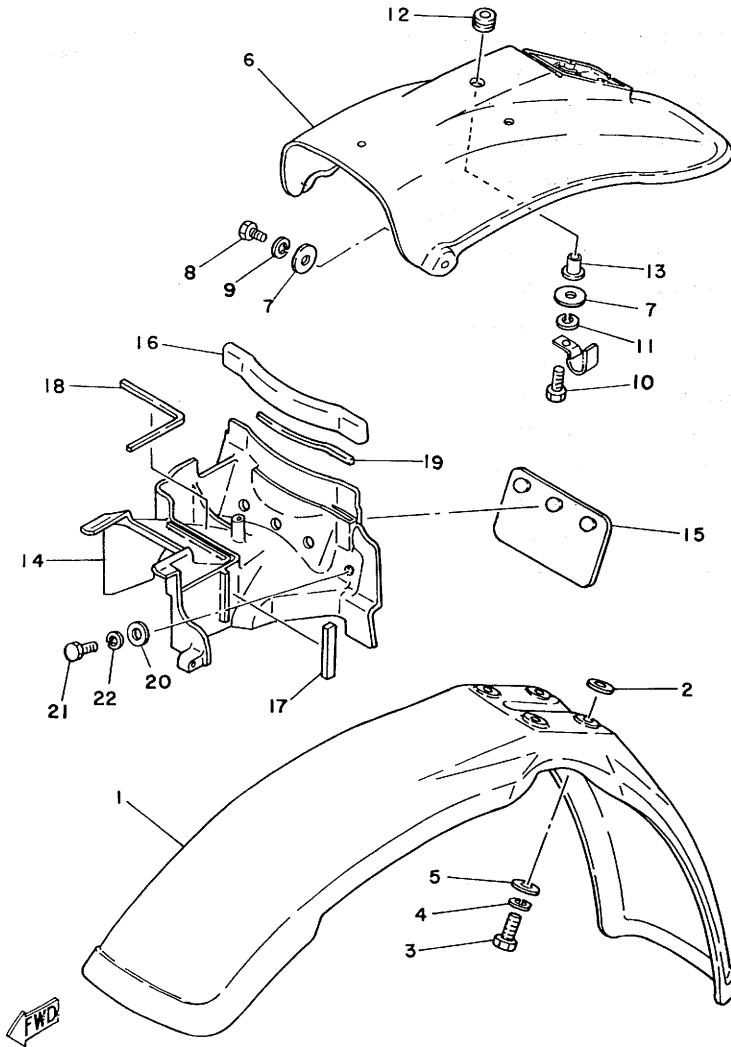
FWD

FIG. 14 FRAME



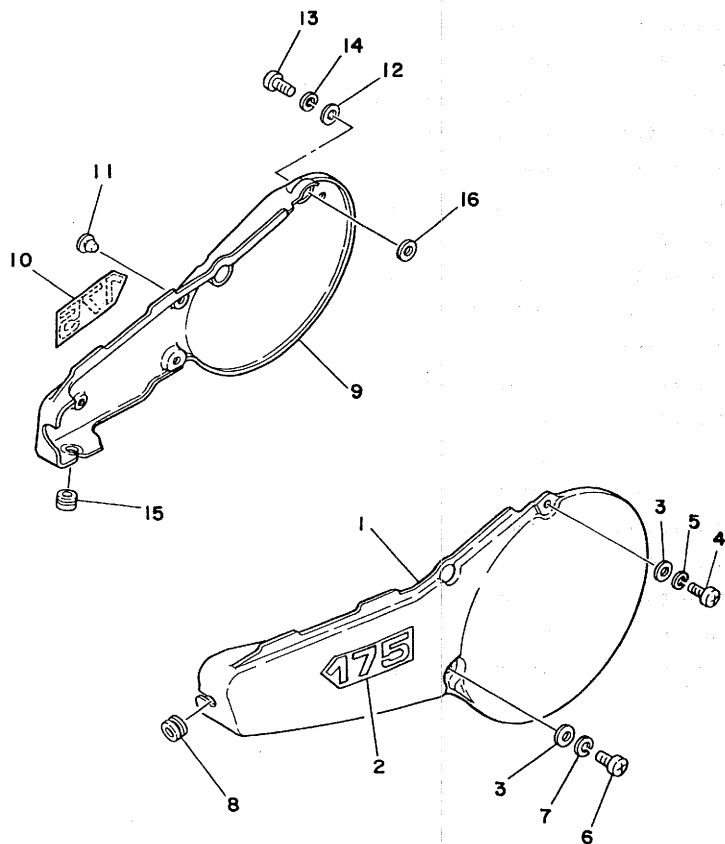
REF. NO.	PART NO.	DESCRIPTION	Q'TY	REMARKS
1	3R6-21110-01-33	FRAME COMP	1	yamaha black
2	90339-13005	PLUG	2	
3	2K6-22178-00	TENSIONER	1	
4	3R3-2148A-00	SHAFT	1	
5	90201-13202	WASHER, Plate	2	
6	97302-08050	BOLT	1	
7	95702-08300	NUT, flange	1	
8	92902-08200	WASHER	2	
9	3R3-21415-00	BRACKET, front upper 1	2	
10	95812-08075	BOLT, flange	3	
11	95812-08160	BOLT, flange	1	
12	90214-09019	WASHER, claw	1	
13	92902-08200	WASHER	4	
14	90185-08054	NUT, self-locking	4	
15	3R6-21471-00	PROTECTOR, engine	1	
16	2J5-21732-00	SEAL 1	2	
17	97301-08014	BOLT	3	
18	92901-08100	WASHER, spring	3	
19	92901-08600	WASHER, Plate	3	
20	3R4-2139W-00	COVER	1	
21	90446-11173	HOSE	1	

FIG. 15 FRONT FENDER, REAR FENDER



REF. NO.	PART NO.	DESCRIPTION	Q'TY	REMARKS
1	3R8-21511-00	FENDER, front	1	clean white
2	90201-06067	WASHER, Plate	4	
3	97302-06020	BOLT	4	
4	92902-06100	WASHER, sPring	4	
5	90209-06187	WASHER	4	
6	3R6-21610-00	REAR FENDER COMP.	1	clean white
7	90201-06067	WASHER, Plate	4	
8	97301-06014	BOLT	2	
9	92901-06100	WASHER, sPring	2	
10	97301-06025	BOLT	1	
11	92901-06100	WASHER, sPring	1	
12	90480-14198	GROMMET	1	
13	90387-06388	COLLAR	1	
14	3R6-21629-00	GUARD, mud	1	
15	1M1-21621-00	FLAP	1	
16	565-21746-00	SEAL, mud Guard	1	
17	3R6-21638-00	DAMPER 1	1	
18	3R6-21639-00	DAMPER 2	1	
19	3R6-21669-00	SEAL	1	
20	90201-06067	WASHER, Plate	2	
21	97301-06014	BOLT	2	
22	92901-06100	WASHER, sPring	2	

FIG. 16 SIDE COVER

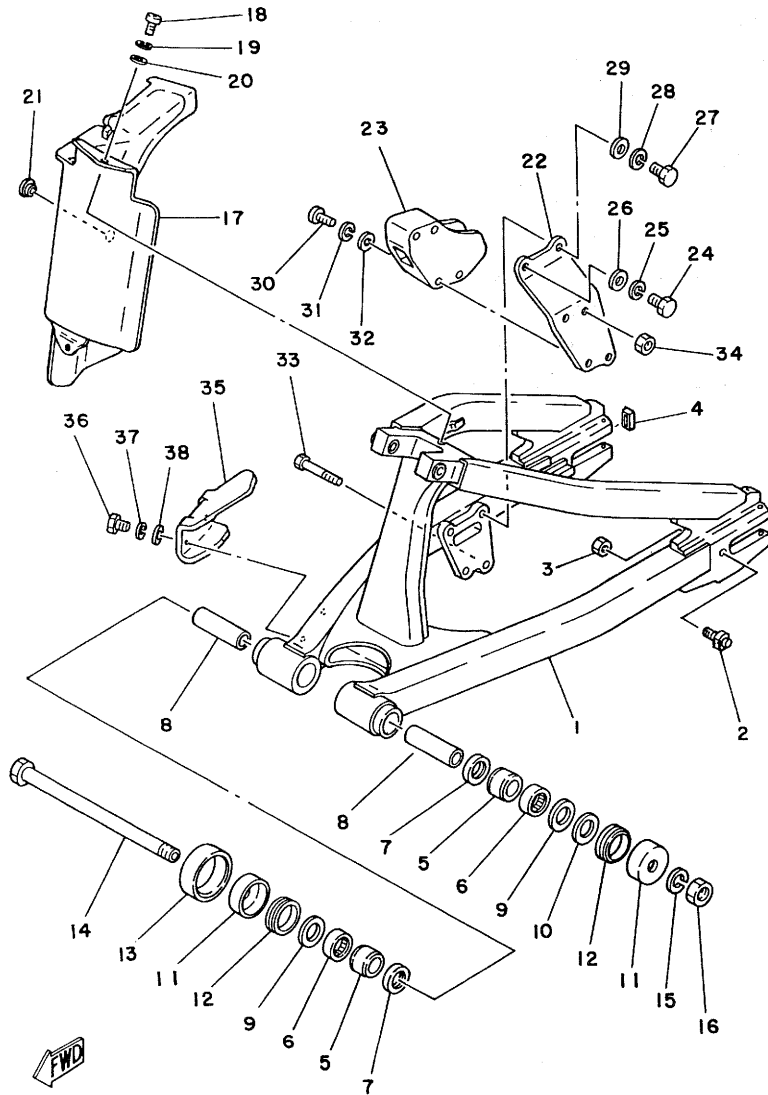


REF. NO.	PART NO.	DESCRIPTION	Q'TY	REMARKS
1	3R6-21711-00-26	COVER, side (L.H)	1	comPetition ye-llow /sky blue
2	3R6-21737-00	EMBLEM	1	
3	90201-06067	WASHER, Plate	2	
4	92501-06015	SCREW, Pan head	1	
5	92901-06100	WASHER, sPring	1	
6	92501-06014	SCREW, Pan head	1	
7	92901-06100	WASHER, sPring	1	
8	90480-12053	GROMMET	1	
9	3R6-21721-00-26	COVER, side (R.H)	1	comPetition ye-llow /sky blue
10	3R6-21737-00	EMBLEM	1	
11	431-24181-00	DAMPER, locating	3	
12	90201-06067	WASHER, Plate	2	
13	92501-06015	SCREW, Pan head	2	
14	92901-06100	WASHER, sPring	2	
15	90480-12053	GROMMET	1	
16	92901-08200	WASHER, Plain	1	

FWD

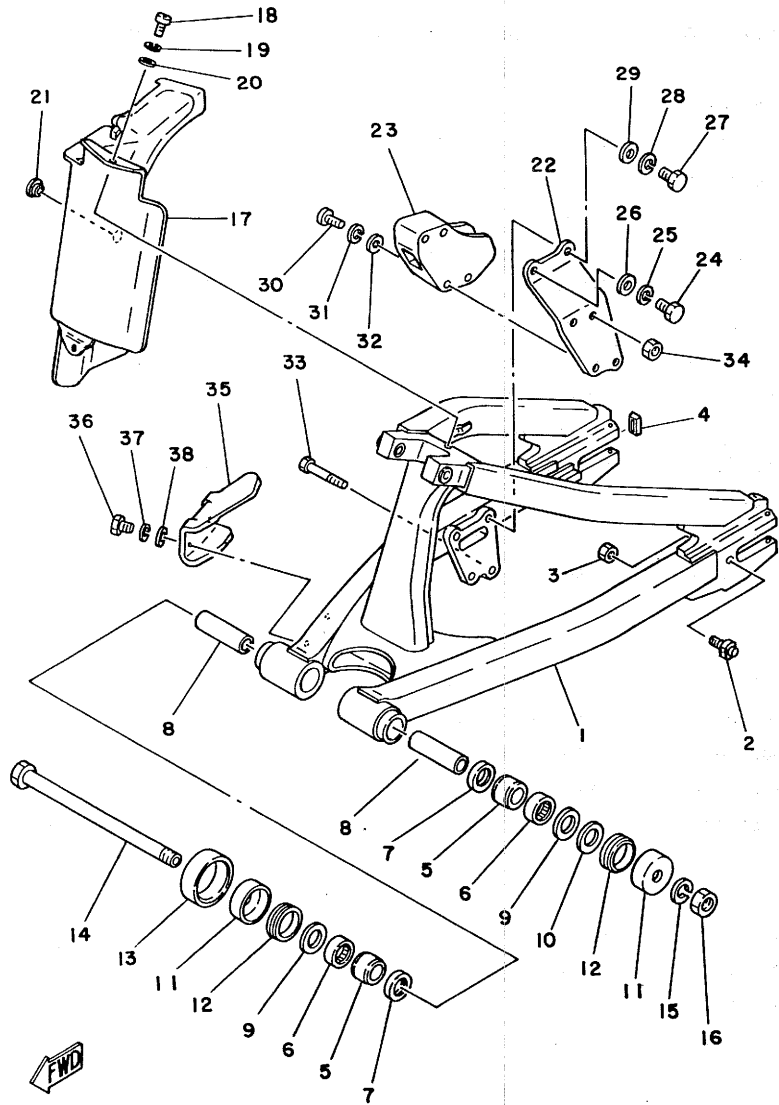


FIG. 17 REAR ARM



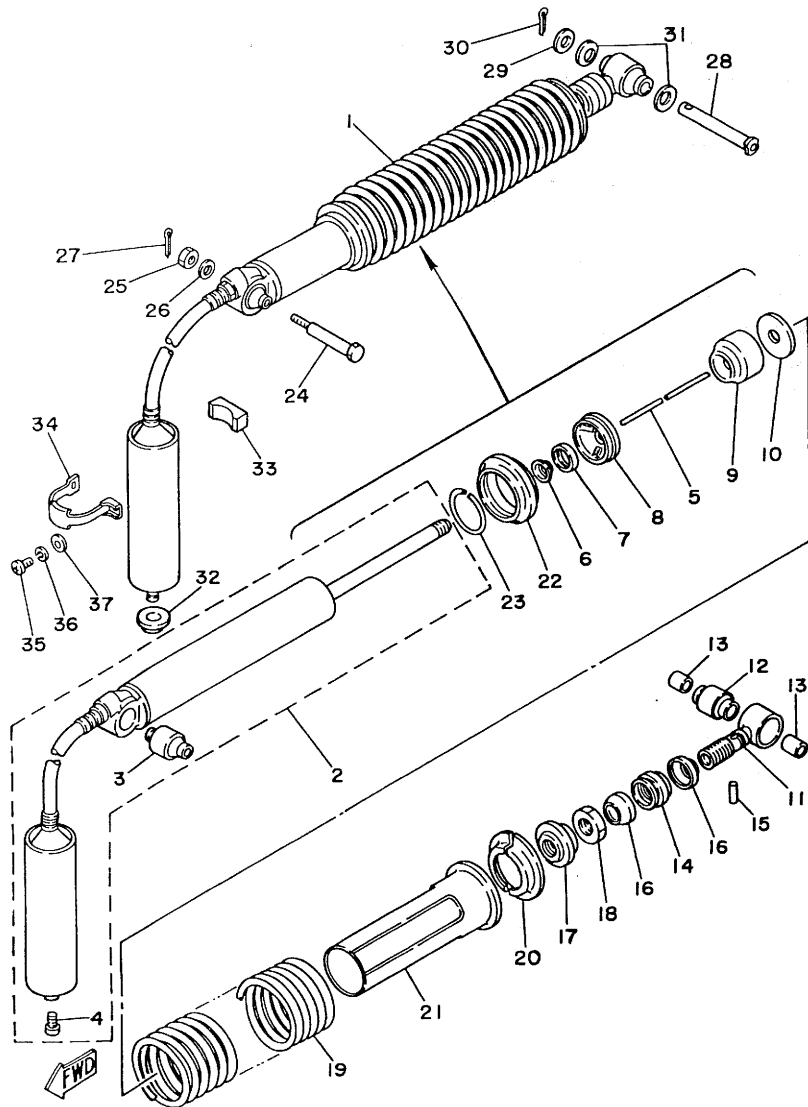
REF. NO.	PART NO.	DESCRIPTION	Q'TY	REMARKS
1	3R6-22110-00-35	REAR ARM COMP.	1	silver
2	90109-08569	BOLT	2	
3	90179-08278	NUT	2	
4	90338-22103	PLUG	2	
5	90386-22097	BUSH	2	
6	93317-22214	BEARING, cylindrical	2	
7	93109-22018	OIL SEAL	2	
8	90380-16077	BUSH, solid	2	
9	90201-22680	WASHER, Plate	2	
10	156-22127-00	SHIM (0.3T)	1	UN
11	2K6-22128-00	COVER, thrust 1	2	
12	93108-35004	OIL SEAL	2	
13	431-22151-03	SEAL, Guard	1	
14	1W4-22141-00	SHAFT, Pivot	1	
15	92901-16100	WASHER, sPring	1	
16	90170-16111	NUT	1	
17	3R6-22311-00	CASE, chain	1	
18	92501-06012	SCREW, Pan head	2	
19	92901-06100	WASHER, sPring	2	
20	92901-06200	WASHER, Plain	2	
21	90560-08066	SPACER	1	
22	3R3-22179-00	ARM, tensioner	1	
23	3R3-22199-00	SUPPORT, chain	1	
24	97301-08020	BOLT	1	
25	92901-08100	WASHER, sPring	1	
26	92901-08200	WASHER, Plain	1	
27	97301-08016	BOLT	1	
28	92901-08100	WASHER, sPring	1	

FIG. 17 REAR ARM



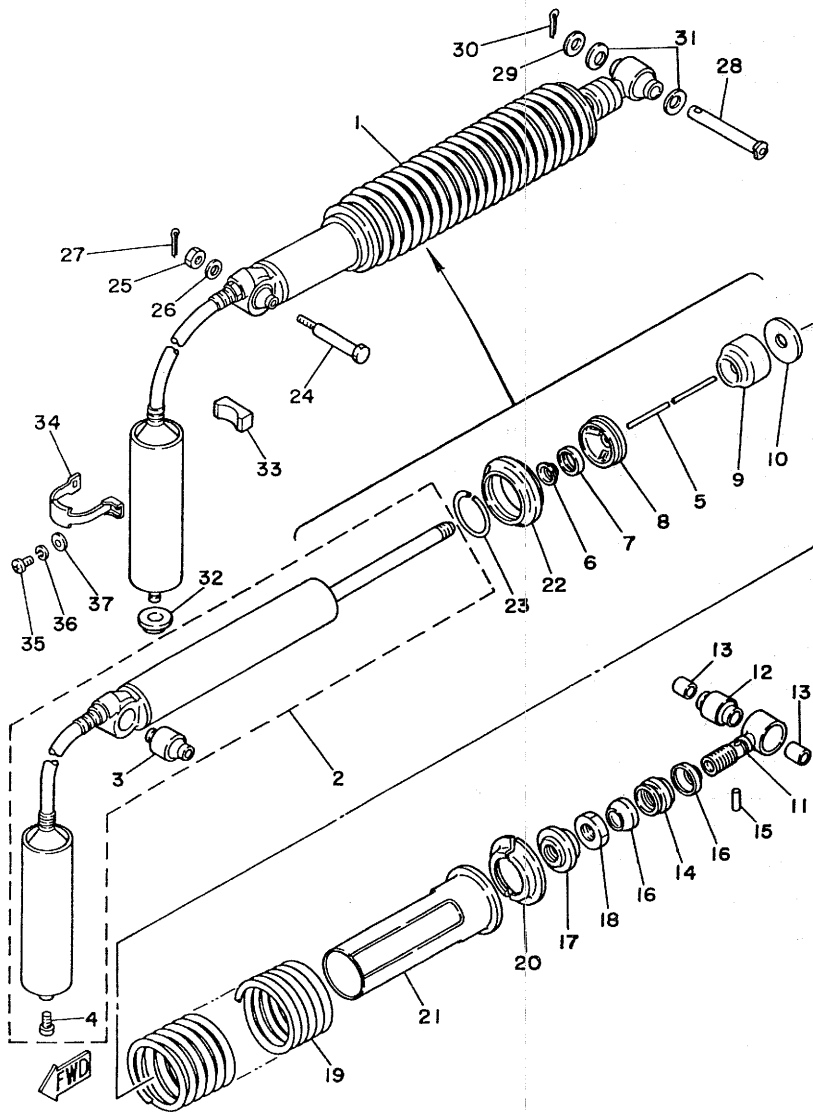
REF. NO.	PART NO.	DESCRIPTION	Q'TY	REMARKS
29	92901-08600	WASHER, Plate	1	
30	92501-06020	SCREW, Pan head	2	
31	92901-06100	WASHER, sPring	2	
32	92901-06600	WASHER, Plate	2	
33	97301-06055	BOLT	2	
34	95601-06100	NUT, u	2	
35	3R3-22147-00	PROTECTOR, chain	1	
36	97301-05012	BOLT	2	
37	92901-05100	WASHER, sPring	2	
38	92901-05200	WASHER, Plain	2	

FIG. 18 REAR SUSPENSION



REF. NO.	PART NO.	DESCRIPTION	Q'TY	REMARKS
1	3R6-22210-00	SHOCK ABSORBER ASSY, rear	1	
2	3R6-22401-00	.DUMPER SUB ASSY	1	
3	1W1-22216-00	..BUSH, rear shock absorber	1	
4	98501-04005	..SCREW, Pan head	1	
5	3R4-22489-00	..ROD, Push	1	
6	3R4-22475-00	..SEAL, dust	1	
7	3R4-22473-00	..HOUSING, seal ring	1	
8	3R4-22472-00	..CAP, case	1	
9	1W1-22493-00	..STOPPER, bump	1	
10	3R4-22228-00	..SUPPORT, bump stop	1	
11	3R4-22409-00	..UPPER BRACKET SUB ASSY	1	
12	3R4-22226-00	..BUSH, shock absorber lower	1	
13	90380-12051	..BUSH, solid	2	
14	3R4-22497-00	..NUT, adjusting	1	
15	93604-26132	..PIN, dowel	1	
16	3R4-22221-01	..COVER	2	
17	3R4-22213-00	..SEAT, spring upper	1	
18	90170-20213	..NUT	1	
19	3R6-22212-00	..SPRING	1	
20	3R4-22214-00	..GUIDE, spring 1	2	
21	3R4-22224-00	..GUIDE, spring 2	1	
22	3R4-22223-00	..SEAT, spring lower	1	
23	93440-50078	..CIRCLIP	1	
24	90109-10550	BOLT	1	
25	95302-10700	NUT	1	
26	92902-10600	WASHER, Plate	1	
27	91401-20025	PIN, cotter	1	
28	90240-12074	PIN, clevis	1	

FIG. 18 REAR SUSPENSION



REF. NO.	PART NO.	DESCRIPTION	Q'TY	REMARKS
29	92901-12600	WASHER, Plate	1	
30	91401-30022	PIN, cotter	1	
31	1W1-22128-00	COVER, thrust 1	2	
32	90480-22263	GROMMET	1	
33	3R4-22261-00	DAMPER, sub tank	1	
34	3R3-22262-00	HOLDER, sub tank	1	
35	92502-06016	SCREW, Pan head	1	
36	92902-06100	WASHER, sPring	1	
37	92902-06600	WASHER	1	

FIG. 19 STEERING

REF. NO.	PART NO.	DESCRIPTION	Q'TY	REMARKS
1	1W1-23435-01-98	CROWN, handle	1	low gloss black
2	95821-08040	BOLT, flange	4	
3	95821-08055	BOLT, flange	1	
4	95701-08100	NUT, flange	1	
5	90105-14136	BOLT, washer based	1	
6	1E6-23441-00-98	HOLDER, handle upper	2	low gloss black
7	95821-08035	BOLT, flange	4	
8	93332-00001	BEARING	1	
9	93332-00008	BEARING	1	
10	1W1-23416-00	COVER, ball race 2	1	
11	90179-25033	NUT	1	
12	3R4-23317-00	HOLDER, cable	1	
13	90462-14055	CLAMP	2	
14	92501-06025	SCREW, Pan head	1	
15	92901-06100	WASHER, spring	1	
16	95301-06600	NUT	1	
17	92901-06600	WASHER, plate	1	
18	1W2-23318-00	HOLDER, cable 1	1	
19	98501-05018	SCREW, Pan head	1	
20	92901-05600	WASHER, plate	1	
21	95301-05600	NUT	1	

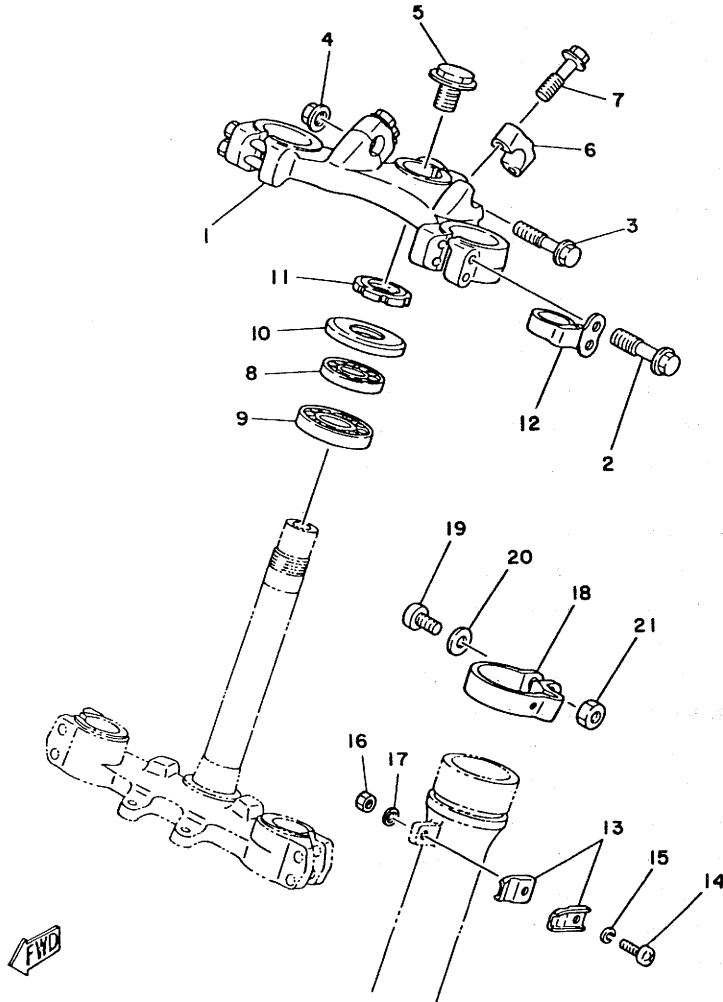
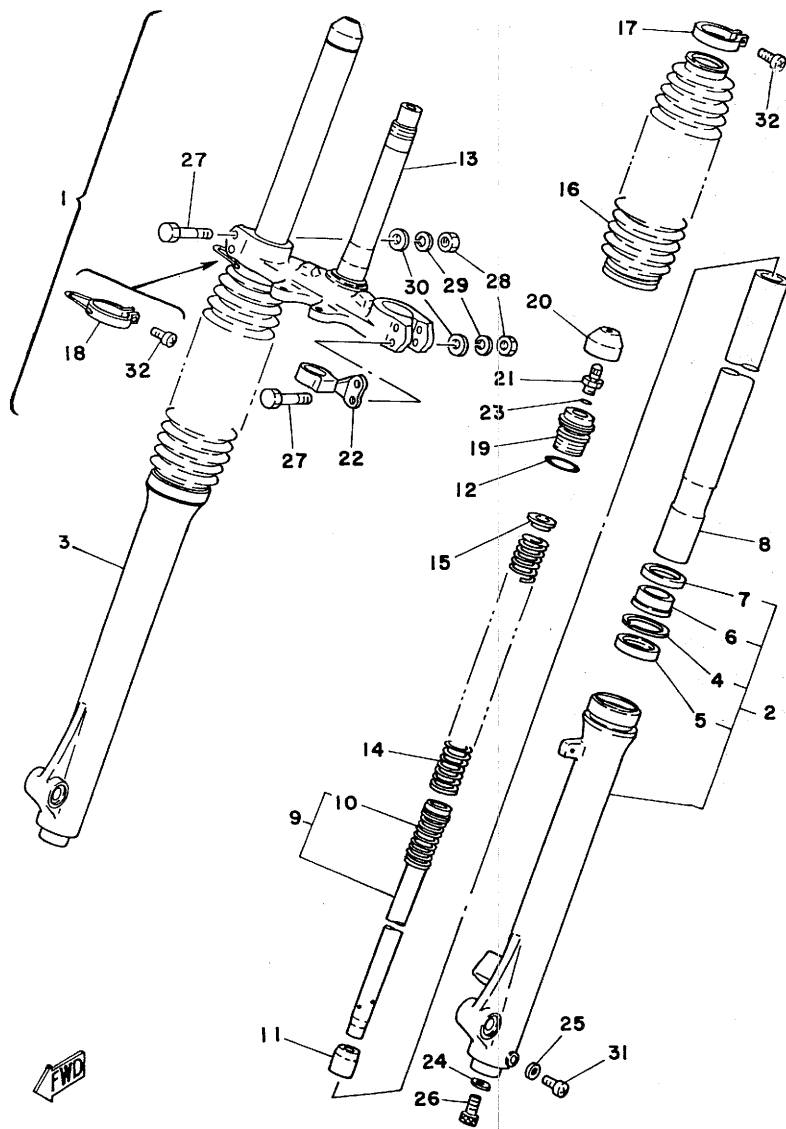
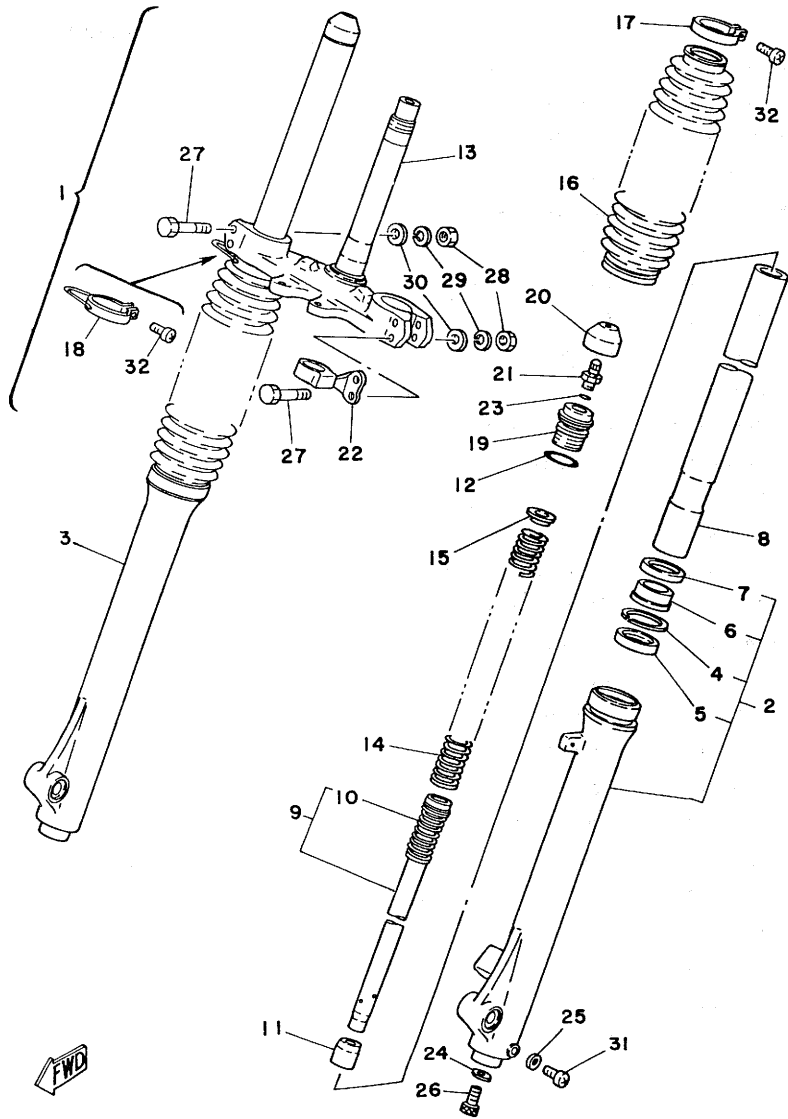


FIG. 20 FRONT FORK



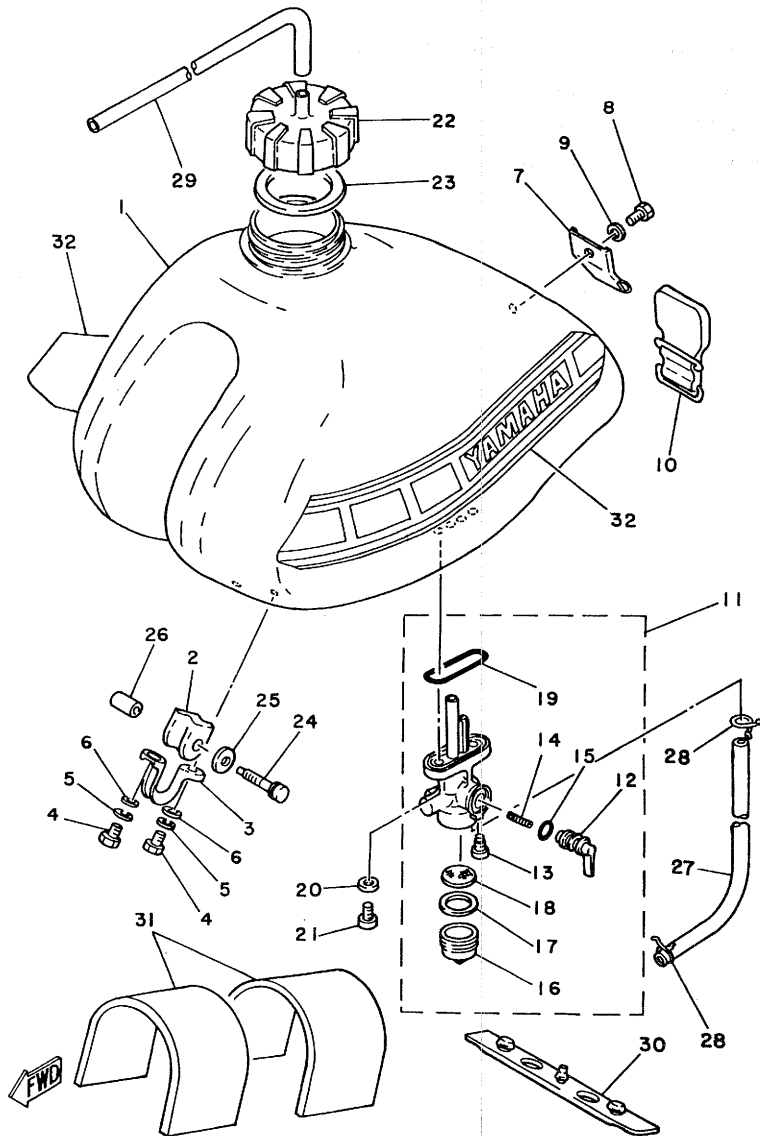
REF. NO.	PART NO.	DESCRIPTION	Q'TY	REMARKS
1	3R6-23101-L0	FRONT FORK ASSY	1	
2	3R6-23136-L0	•TUBE, outer 2	1	
3	3R6-23126-L0	•TUBE, outer 1	1	
4	3R2-23153-00	••RING, snaP	2	
5	1W1-23145-L0	••OIL SEAL	2	
6	3R8-23144-L0	••SEAL, dust	2	
7	3R8-23148-L0	••COVER, dust seal	2	
8	3R6-23110-L0	•INNER TUBE COMP.1	2	
9	3R6-23170-L0	•CYLINDER COMP., front fork	2	
10	2X1-23151-00	••SPRING, sub	2	
11	3R6-23173-L0	•SPINDLE, taPer	2	
12	1W1-23114-L0	•GASKET	2	
13	2X7-23340-00-33	•UNDER BRACKET COMP.	1	yamaha black
14	3R6-23141-L0	•SPRING, front fork	2	
15	1W1-23142-L0	•SEAT, sPring uPPer	2	
16	2X3-23191-M0	•BOOT	2	
17	341-92060-60	•BAND, boot	1	
18	3R6-92090-L0	•BAND, boot	1	
19	1W1-23111-L0	•BOLT, caP	2	
20	1W1-23168-L0	•WASHER, outer tube	2	
21	509-23190-L0	•AIR VALVE COMP.	2	
22	3R4-23389-00	•GUIDE, cable	1	
23	509-23163-L0	•O-RING	2	
24	509-23158-L0	•GASKET	2	
25	122-23129-00	•GASKET, drain Plug	2	
26	278-23181-50	•BOLT, hexaGon socket head	2	
27	90109-08397	•BOLT	4	
28	95311-08600	•NUT	4	
29	92901-08100	•WASHER, sPring	4	

FIG. 20 FRONT FORK



REF. NO.	PART NO.	DESCRIPTION	Q'TY	REMARKS
30	90201-08544	•WASHER, Plate	4	
31	122-23119-01	•PLUG, drain	2	
32	509-23194-L0	•SCREW, boot band	2	

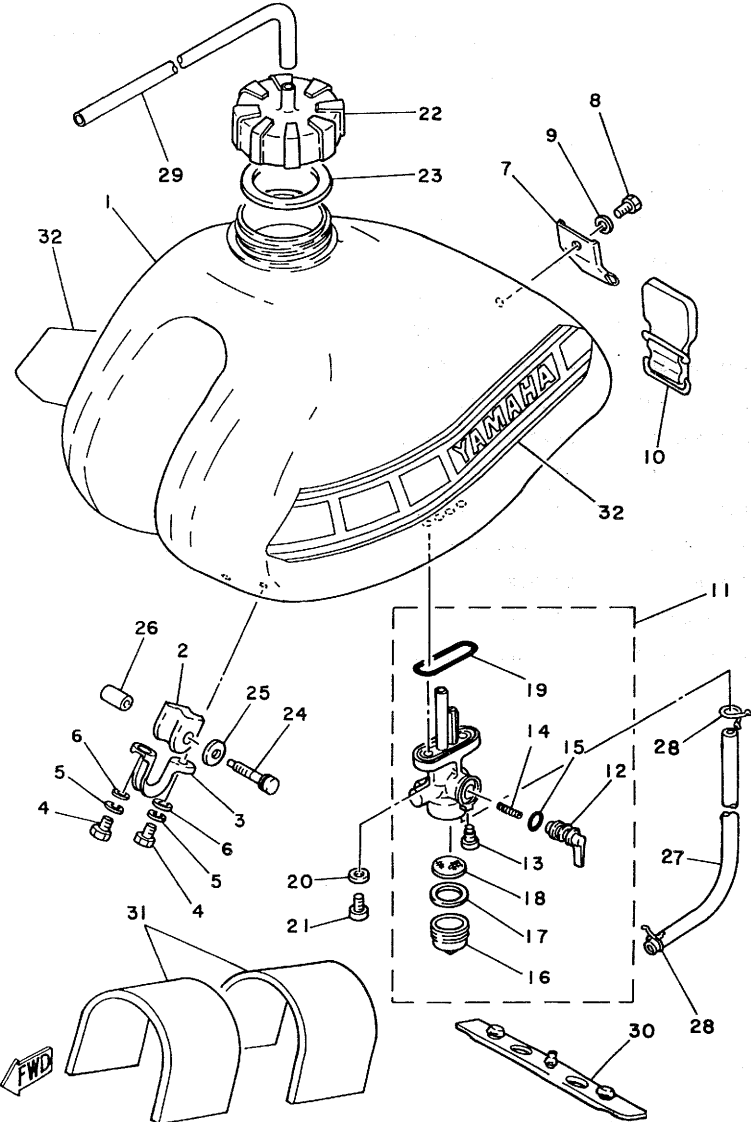
FIG. 21 FUEL TANK



REF. NO.	PART NO.	DESCRIPTION	Q'TY	REMARKS
1	3R6-24110-00	FUEL TANK COMP.	1	sky blue
2	1W1-24182-01	DAMPER, locating 2	2	
3	1W1-24144-01	HOLDER, damPer	2	
4	97301-06012	BOLT	4	
5	92901-06100	WASHER, sPring	4	
6	92901-06600	WASHER, Plate	4	
7	3R6-24192-00	BRACKET, fuel tank 2	1	
8	97301-06012	BOLT	1	
9	92901-06100	WASHER, sPring	1	
10	1W1-24173-00	BAND, tank fitting 1	1	
11	3R9-24500-00	FUEL COCK ASSY 1	1	
12	2W6-24524-00	•LEVER, cock	1	
13	2N3-24535-00	•SCREW, lever fitting	1	
14	2W6-24529-00	•SPRING	1	
15	2N3-24528-00	•O-RING	1	
16	357-24521-10	•CUP, filter	1	
17	357-24522-10	•GASKET	1	
18	2W6-24561-00	•NET, filter	1	
19	2W6-24512-00	•O-RING	1	
20	90202-06010	WASHER, Plate	2	
21	90149-06011	SCREW	2	
22	1K7-24611-01	BODY, caP	1	
23	1K7-24612-02	GASKET, caP	1	
24	90119-06022	BOLT, with washer	2	
25	90201-06407	WASHER, Plate	2	
26	90387-07393	COLLAR	2	
27	90445-11150	HOSE	1	
28	90467-10008	CLIP	2	

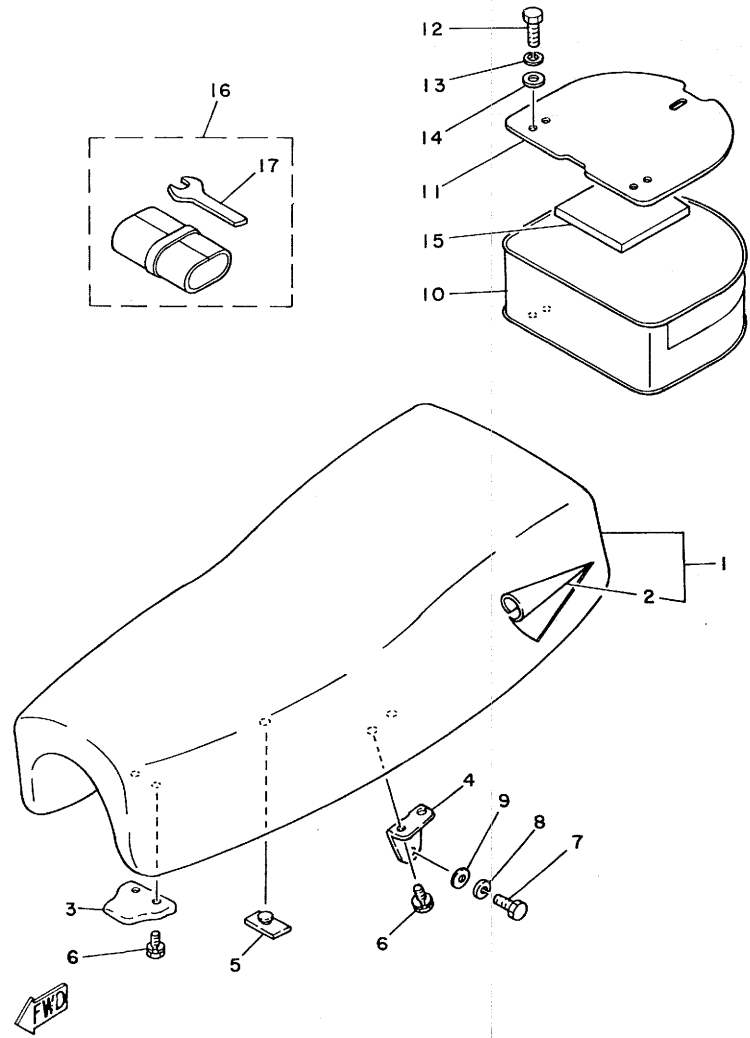


FIG. 21 FUEL TANK



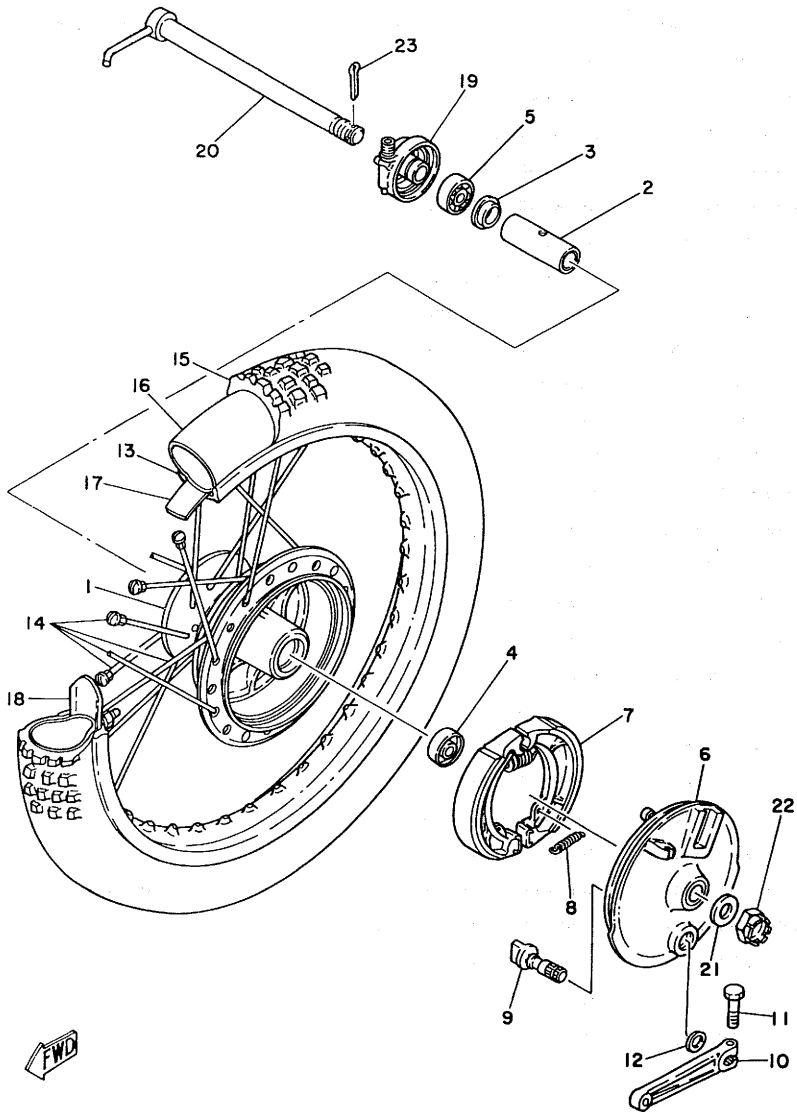
REF. NO.	PART NO.	DESCRIPTION	Q'TY	REMARKS
29	90445-09117	HOSE	1	
30	3R4-24181-00	DAMPER, locating 1	1	
31	1W1-24183-00	DAMPER, locating 3	2	
32	3R6-24240-10	GRAPHIC SET	1	

FIG. 22 SEAT



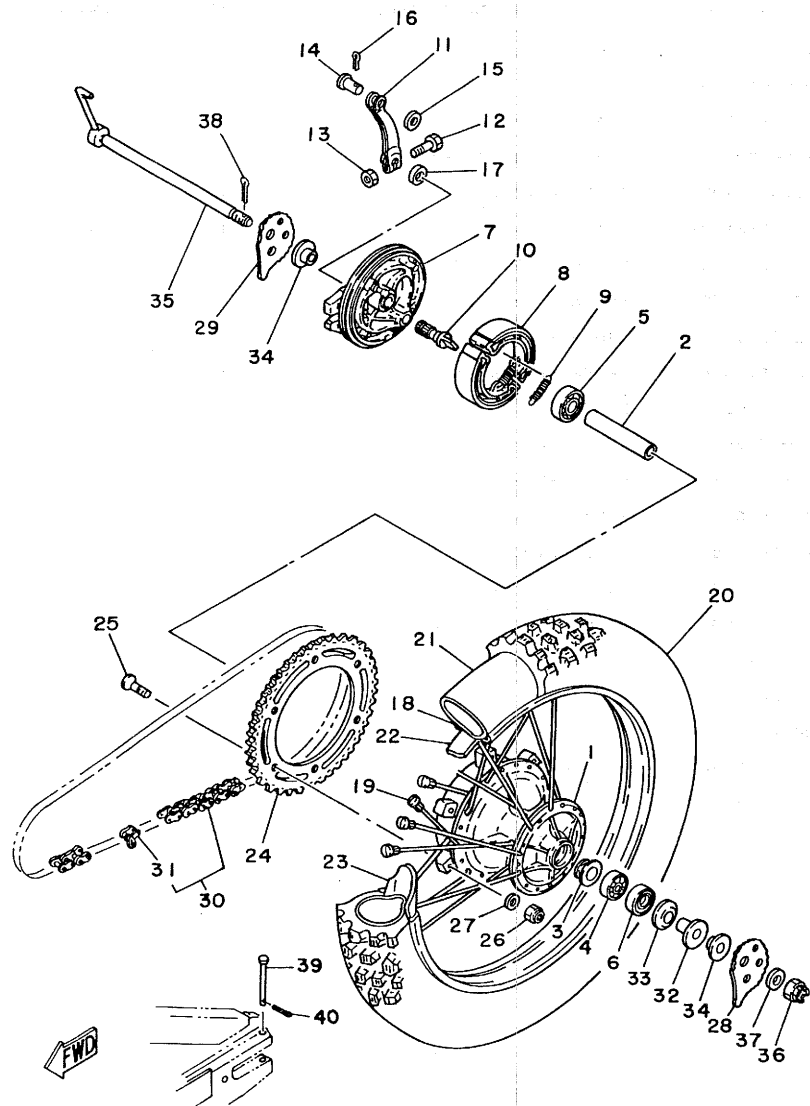
REF. NO.	PART NO.	DESCRIPTION	Q'TY	REMARKS
1	3R6-W2473-00	SEMI-DOUBLE SEAT ASSY	1	
2	3R6-24771-00	COVER, semi-double seat	1	
3	1M1-24748-00	BRACKET, seat	1	
4	509-24738-01	BRACKET, seat	2	
5	509-24724-00	DAMPER, seat	6	
6	90101-06304	BOLT	6	
7	97301-06014	BOLT	2	
8	92901-06100	WASHER, sPring	2	
9	92901-06600	WASHER, Plate	2	
10	1W2-24850-01	CARRIER BOX ASSY	1	
11	1W2-24833-01	BRACKET, carrier 2	1	
12	97301-06018	BOLT	3	
13	92901-06100	WASHER, sPring	3	
14	90201-06067	WASHER, Plate	3	
15	1W2-24854-00	DAMPER	1	
16	1W2-28100-10	TOOL KIT	1	
17	1W1-28135-10	SPANNER, sPecial	1	

FIG. 23 FRONT WHEEL



REF. NO.	PART NO.	DESCRIPTION	Q'TY	REMARKS
1	1K7-25111-10-98	HUB, front	1	low gloss black
2	90560-15116	SPACER	1	
3	146-25116-00	FLANGE, spacer 2	1	
4	93306-20203	BEARING (B6202RS)	1	
5	93306-20205	BEARING (B6202)	1	
6	1W1-25121-01-98	PLATE, brake shoe	1	low gloss black
7	322-25130-00	BRAKE SHOE COMP.	2	
8	90506-16036	SPRING, tension	2	
9	322-25151-00	CAMSHAFT	1	
10	322-25155-00	LEVER, camshaft 1	1	
11	90101-06291	BOLT	1	
12	137-25159-00	SEAL, camshaft	1	
13	94416-21234	RIM (1.60-21)	1	
14	2W6-25104-01	SPOKE SET, front	1	
15	94130-21584	TIRE (3.00-21)	1	
16	94230-21126	TUBE (3.00-21)	1	inoue
17	94330-21088	BAND, rim (3.00-21)	1	inoue
18	1T1-25194-00	SPACER, bead	1	
19	1W2-25190-00	GEAR UNIT ASSY	1	
20	1W2-25181-01	AXLE, wheel	1	
21	90201-15785	WASHER, Plate	2	
22	90171-14020	NUT, castle	1	
23	91401-30030	PIN, cotter	1	

FIG. 24 REAR WHEEL



REF. NO.	PART NO.	DESCRIPTION	Q'TY	REMARKS
1	3R3-25311-00-98	HUB, rear	1	low gloss black
2	3R3-25317-00	SPACER, bearing	1	
3	183-25315-00	FLANGE, spacer	1	
4	93306-20205	BEARING (B6202)	1	
5	93306-30203	BEARING (B6302Z)	1	
6	93106-22017	OIL SEAL	1	
7	3R6-25321-00-98	PLATE, brake shoe	1	low gloss black
8	437-25330-00	BRAKE SHOE COMP.	2	
9	90506-16036	SPRING, tension	2	
10	401-25351-00	CAMSHAFT	1	
11	3R6-25355-01	LEVER, camshaft	1	
12	90101-06278	BOLT	1	
13	95301-06600	NUT	1	
14	3R6-27237-00	PIN, clevis	1	
15	90201-12631	WASHER, Plate	1	
16	91401-25022	PIN, cotter	1	
17	148-25359-00	SEAL, camshaft	1	
18	94418-18245	RIM (1.85-18)	1	
19	537-25304-01	SPOKE SET, rear	1	
20	94141-18585	TIRE (4.10-18)	1	
21	94235-18022	TUBE (3.50-18)	1	
22	94325-18043	BAND, rim (2.50-18)	1	
23	2X3-25394-00	SPACER, bead	2	
24	3R6-25444-10	SPROCKET, driven (44T)	1	UR STD
	3R6-25442-10	SPROCKET, driven (42T)	1	UR
	3R6-25446-10	SPROCKET, driven (46T)	1	UR
25	90109-08552	BOLT	6	
26	90185-08054	NUT, self-locking	6	

FIG. 24 REAR WHEEL

REF. NO.	PART NO.	DESCRIPTION	Q'TY	REMARKS
27	92901-08200	WASHER, Plain	6	
28	1W2-25388-01	PULLER, chain 1	1	
29	1W2-25389-01	PULLER, chain 2	1	
30	94585-20100	CHAIN, drive (DID520DS 100L)	1	
31	94685-20001	JOINT, chain	1	
32	90387-152A3	COLLAR	1	
33	3R3-25367-00	COVER, hub dust	1	
34	90381-15034	BUSH, solid	2	
35	3R6-25381-00	AXLE, wheel	1	
36	90171-14020	NUT, castle	1	
37	90201-15238	WASHER, Plate	1	
38	91402-30028	PIN, cotter	1	
39	91702-06055	PIN, clevis	2	
40	91402-20012	PIN, cotter	2	

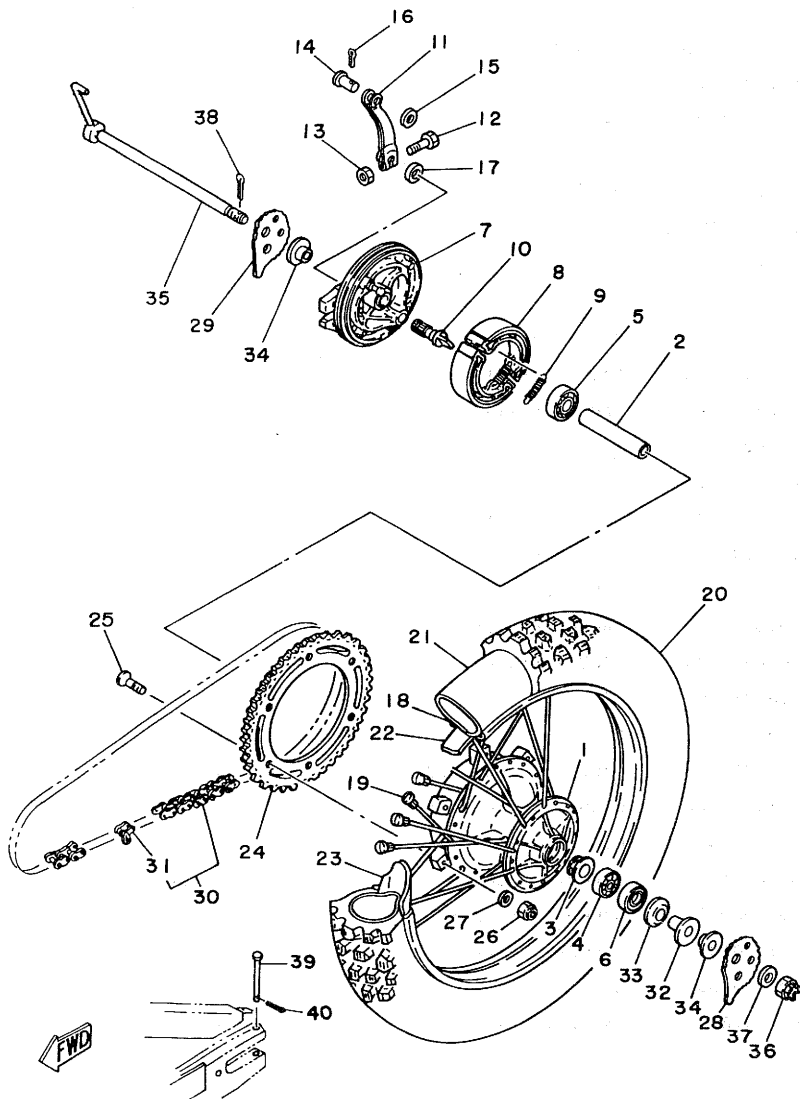
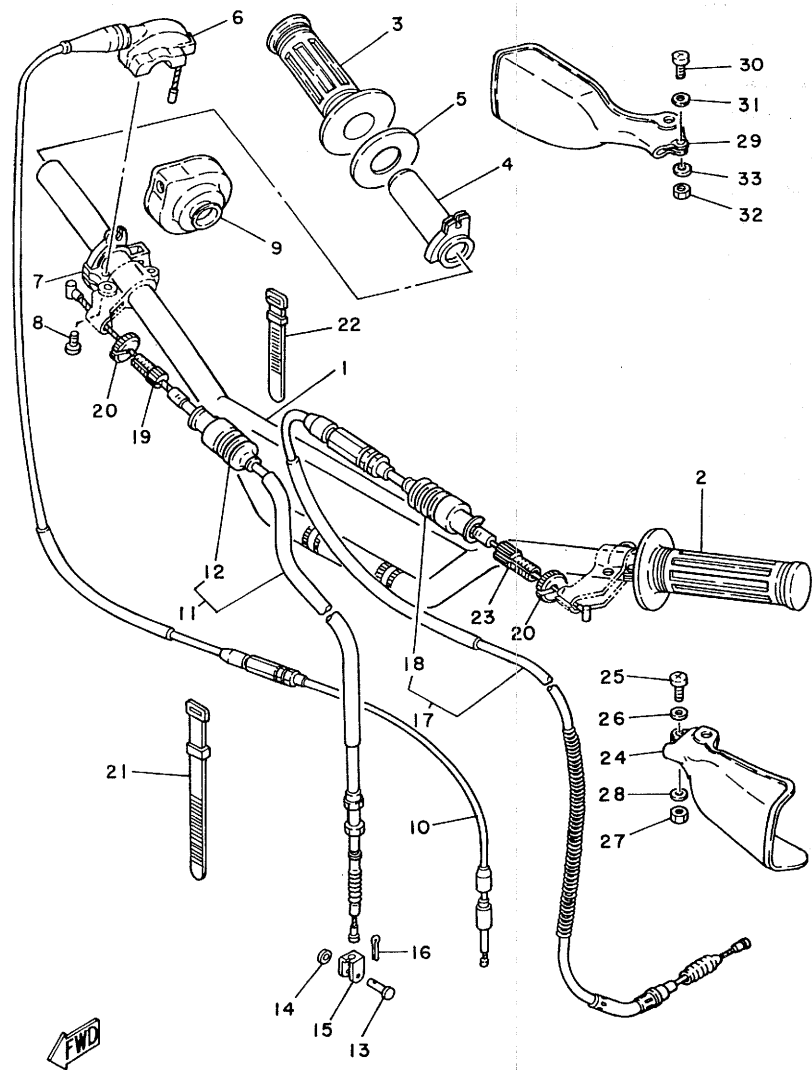


FIG. 25 HANDLEBAR-CABLE



REF. NO.	PART NO.	DESCRIPTION	Q'TY	REMARKS
1	3R6-26111-00	HANDLEBAR	1	
2	1E6-26241-00	GRIP (L.H)	1	
3	583-26242-00	GRIP (R.H)	1	
4	322-26243-00	TUBE, throttle guide	1	
5	1W1-26249-00	RING, leaf	1	
6	322-26281-00-98	CAP, grip upper	1	low gloss black
7	322-26282-00-98	CAP, grip lower	1	low gloss black
8	98501-05016	SCREW, Pan head	2	
9	3R8-26287-00	COVER, cap grip	1	
10	3R6-26311-00	CABLE, throttle 1	1	
11	3R6-26341-01	CABLE, brake	1	
12	1E6-26342-00	•BOOT, cable	1	
13	90240-08012	PIN, clevis	1	
14	90201-08083	WASHER, Plate	1	
15	156-26347-00	JOINT, cable	1	
16	91401-20012	PIN, cotter	1	
17	3R6-26335-00	CABLE, clutch	1	
18	1E6-26342-00	•BOOT, cable	1	
19	90123-08046	BOLT	1	
20	90179-08148	NUT	2	
21	437-83936-10	BAND, switch cord	1	
22	437-83936-00	BAND, switch cord	1	
23	90123-08046	BOLT	1	
24	3Y0-26141-00	GUARD, brush 1	1	white
25	92501-06015	SCREW, Pan head	1	
26	92901-06600	WASHER, Plate	1	
27	95301-06700	NUT	1	
28	92901-06200	WASHER, Plain	1	

FIG. 25 HANDLEBAR CABLE

REF. NO.	PART NO.	DESCRIPTION	Q'TY	REMARKS
29	3Y0-26142-00	GUARD, brush 2	1	white
30	92501-06015	SCREW, Pan head	1	
31	92901-06600	WASHER, Plate	1	
32	95301-06700	NUT	1	
33	92901-06200	WASHER, Plain	1	

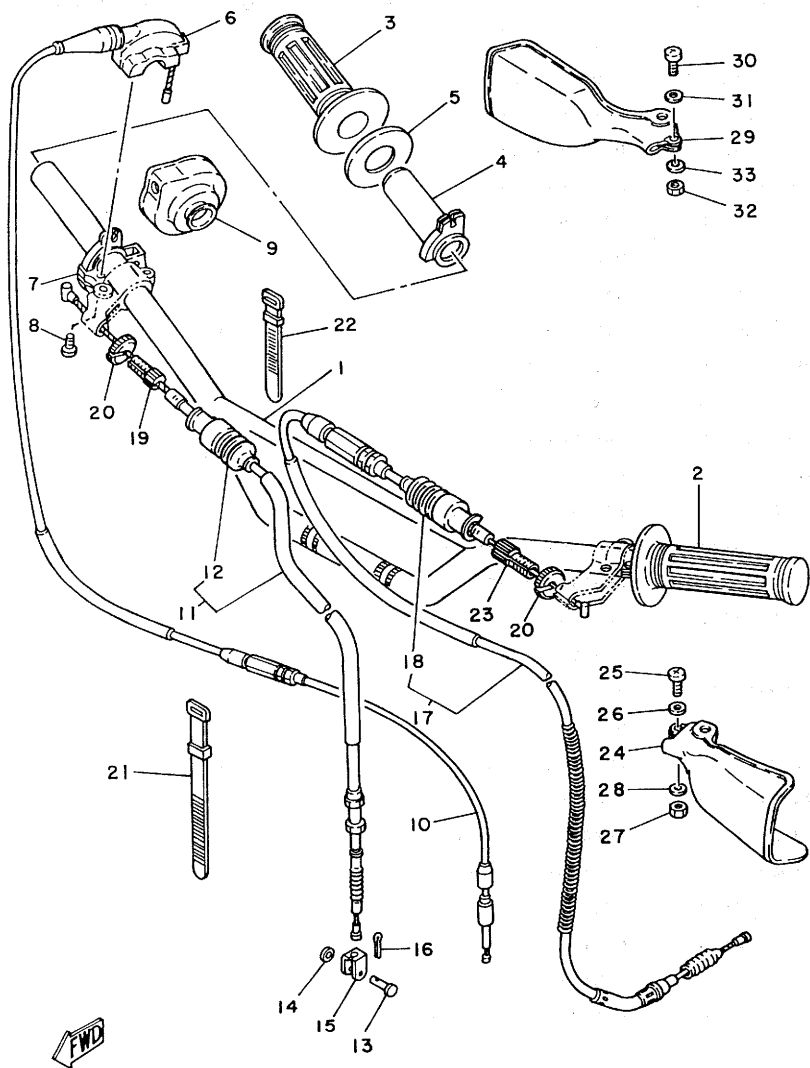
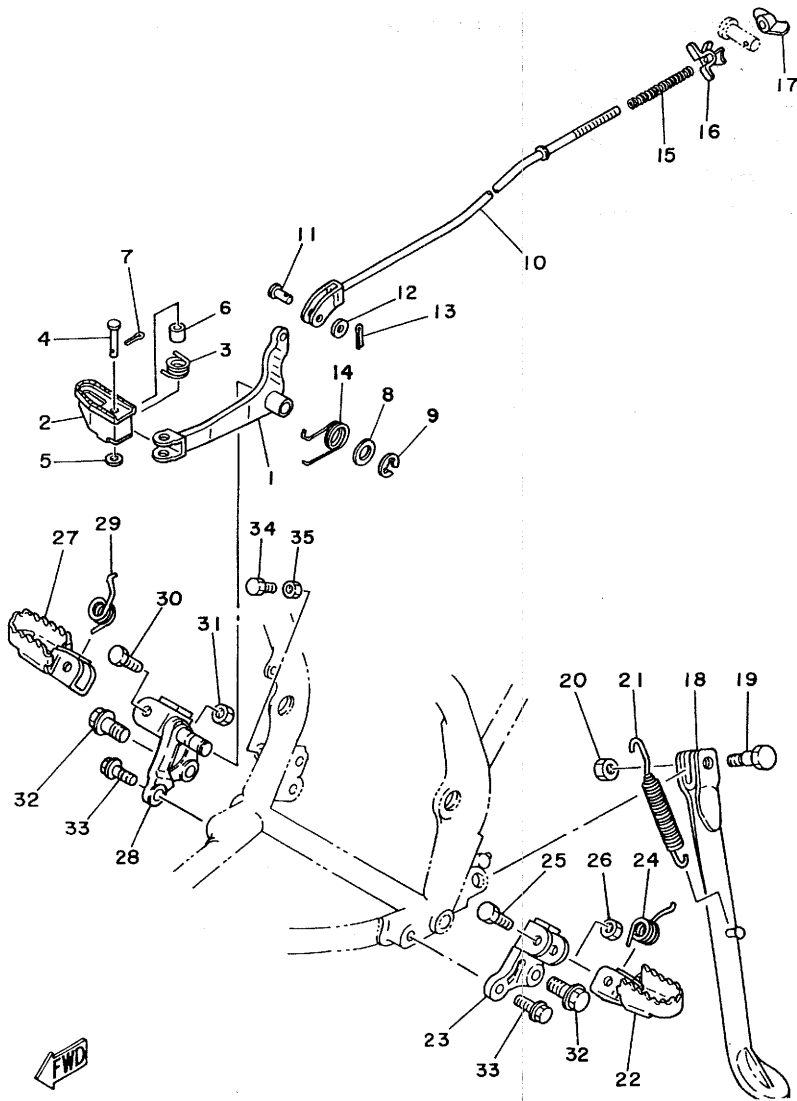


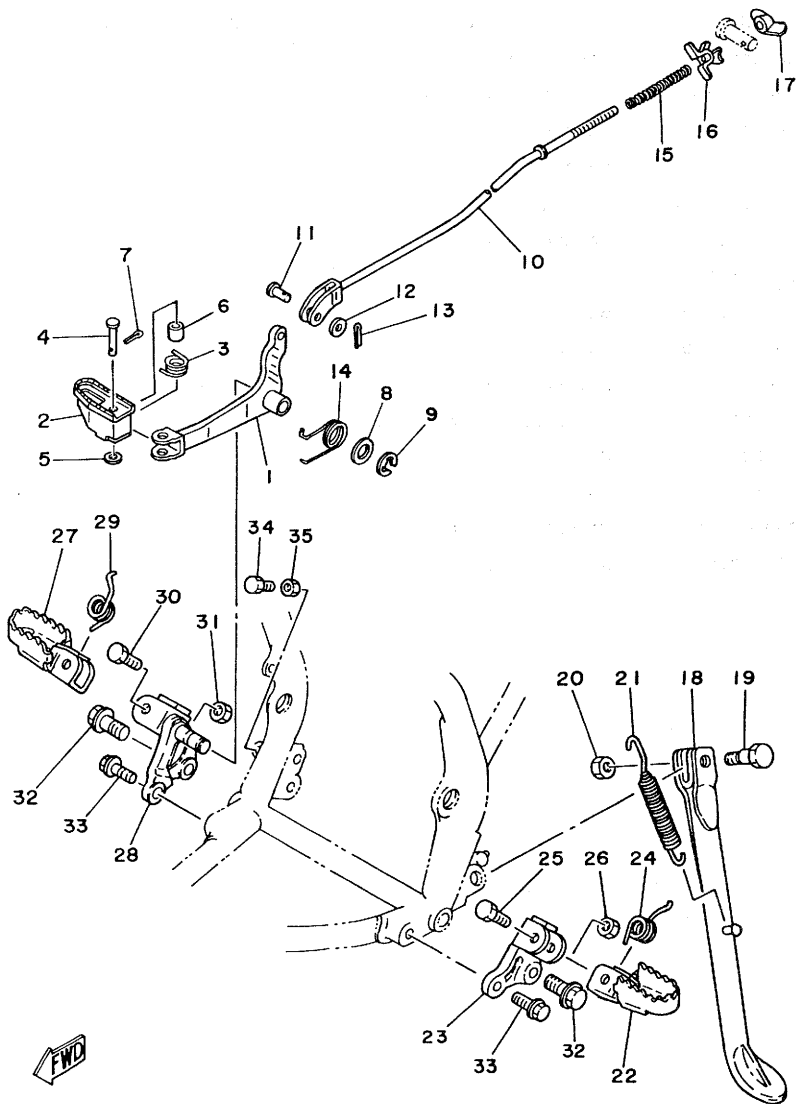
FIG. 26 STAND-FOOTREST



REF. NO.	PART NO.	DESCRIPTION	Q'TY	REMARKS
1	3R6-27211-01-90	PEDAL, brake	1	uni chrome (black)
2	3R6-27242-00	PEDAL, brake	1	
3	90508-20451	SPRING, torsion	1	
4	91701-08032	PIN, clevis	1	
5	92901-08600	WASHER, Plate	1	
6	90387-08762	COLLAR	1	
7	91401-25012	PIN, cotter	1	
8	92902-12200	WASHER	1	
9	93430-09035	CIRCLIP	1	
10	3R6-27231-00	ROD, brake	1	
11	90240-06040	PIN, clevis	1	
12	92901-06200	WASHER, Plain	1	
13	91401-20012	PIN, cotter	1	
14	90508-32455	SPRING, torsion	1	
15	90501-10245	SPRING, compression	1	
16	1W2-27239-00	SEAT, spring	1	
17	90175-06013	NUT, wing	1	
18	2K6-27311-01-33	STAND, side	1	yamaha black
19	90109-10473	BOLT	1	
20	95301-10700	NUT	1	
21	90507-29008	SPRING, tension	1	
22	3R4-27411-00	FOOTREST 1	1	
23	3R3-27412-00	BRACKET, footrest 1	1	
24	90508-20023	SPRING, torsion	1	
25	90101-08428	BOLT	1	
26	95601-08100	NUT, u	1	
27	3R4-27421-00	FOOTREST 2	1	
28	3R6-27422-00	BRACKET, footrest 2	1	

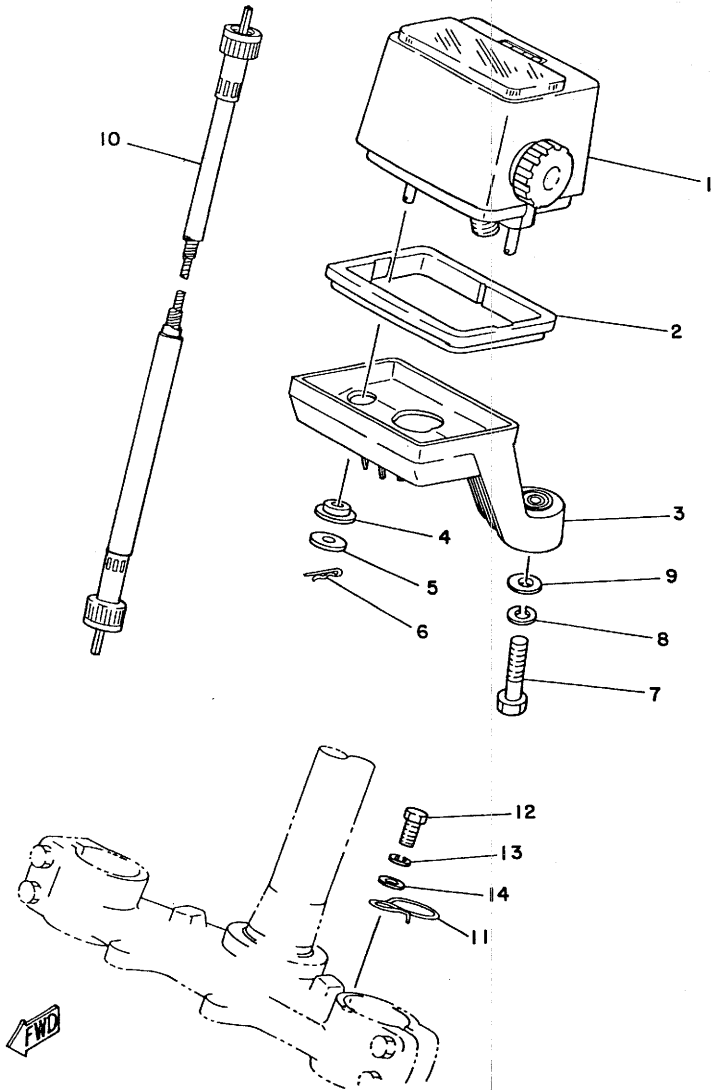


FIG. 26 STAND.FOOTREST



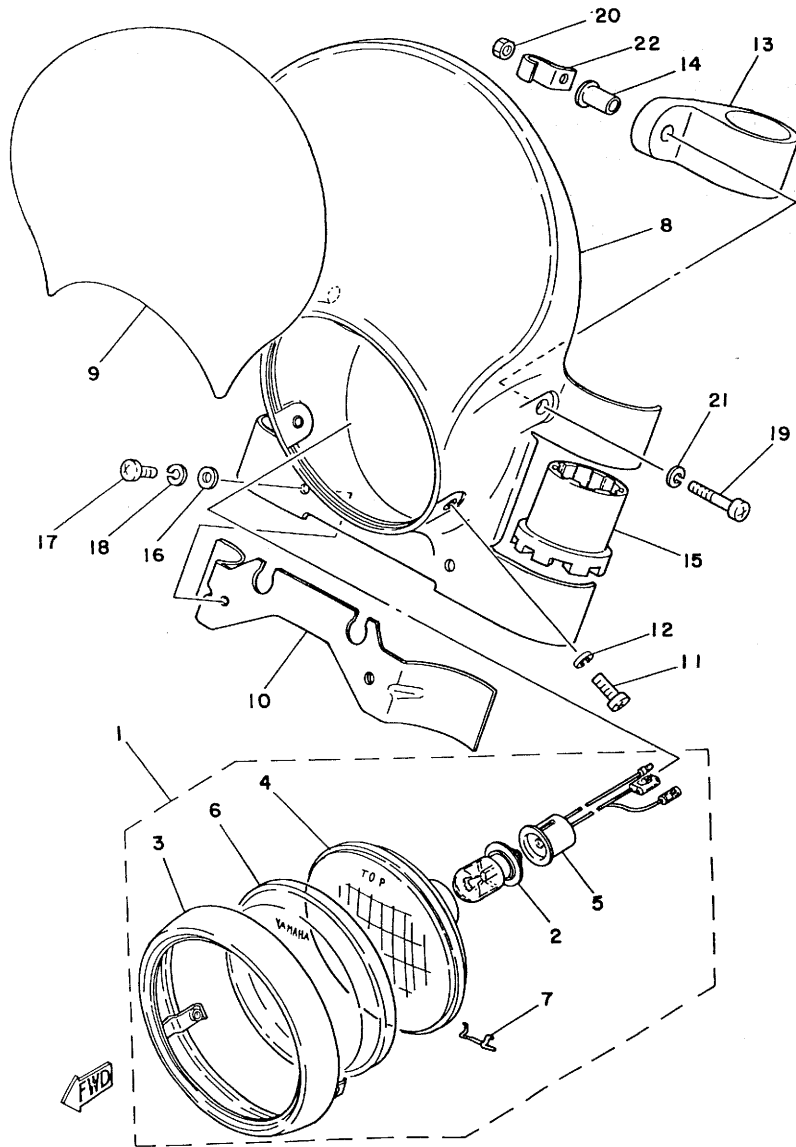
REF. NO.	PART NO.	DESCRIPTION	Q'TY	REMARKS
29	90508-20023	SPRING, torsion	1	
30	90101-08428	BOLT	1	
31	95601-08100	NUT, u	1	
32	90105-12096	BOLT, washer based	2	
33	95821-10020	BOLT, flange	2	
34	97302-06020	BOLT	1	
35	95302-06700	NUT	1	

FIG. 27 METER



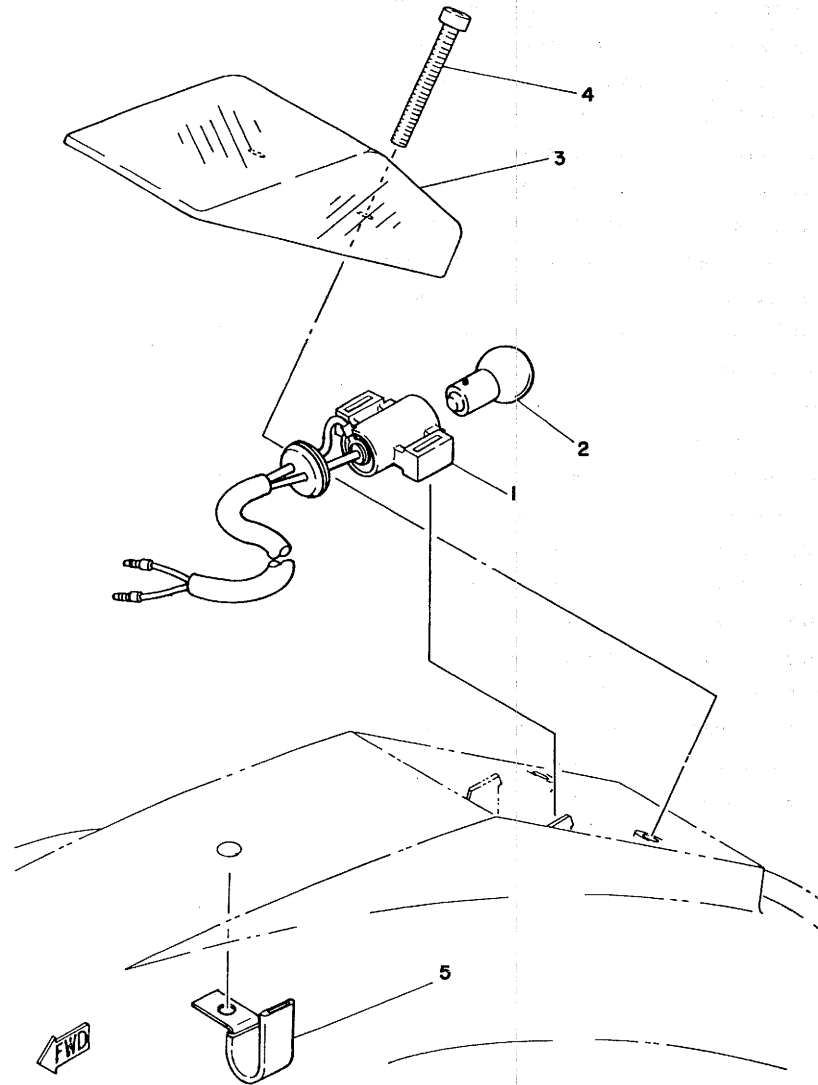
REF. NO.	PART NO.	DESCRIPTION	Q'TY	REMARKS
1	3R8-83570-60	SPEEDOMETER ASSY	1	UR mile/h
	3R8-83570-F0	SPEEDOMETER ASSY	1	UR km/h
2	3R8-83513-00	DAMPER	1	
3	3R8-83519-00	BRACKET, meter	1	
4	1M1-83526-00	DAMPER 2	2	
5	1E6-83524-60	WASHER, sPecial	2	
6	90468-12007	CLIP	2	
7	97321-06030	BOLT	2	
8	92901-06100	WASHER, sPring	2	
9	92901-06600	WASHER, Plate	2	
10	3R6-83550-00	SPEEDOMETER CABLE ASSY	1	
11	2A6-83595-00	CLAMP	1	
12	97301-06012	BOLT	1	
13	92901-06100	WASHER, sPring	1	
14	92901-06600	WASHER, Plate	1	

FIG. 28 HEADLIGHT



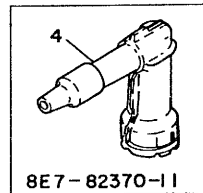
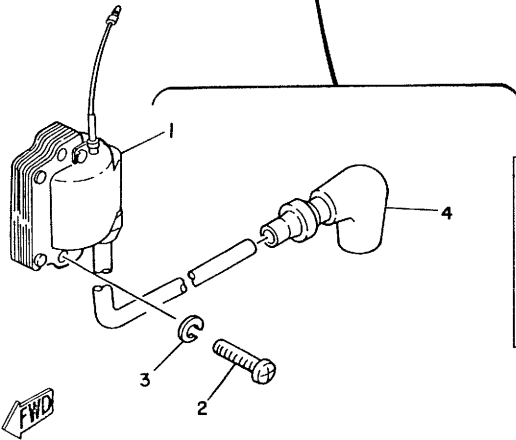
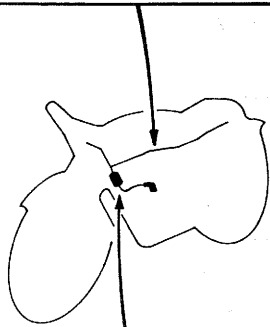
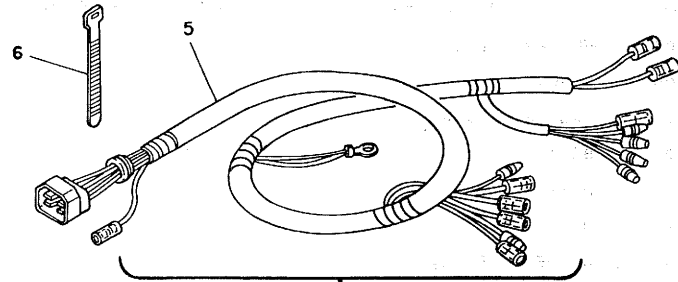
REF. NO.	PART NO.	DESCRIPTION	Q'TY	REMARKS
1	3R8-84110-61	HEADLIGHT UNIT ASSY	1	
2	527-84114-09	•BULB (6V-25/25W)	1	
3	3R8-84115-60	•RIM, headlight	1	
4	1W2-84120-60	•LENS ASSY	1	
5	3R8-84140-61	•SOCKET CORD ASSY	1	
6	1W2-84144-60	•COVER, headlight	1	
7	1W2-84324-60	•SPRING, lens fitting	4	
8	3R8-84130-00	BODY ASSY, headlight	1	sky blue
9	3R8-84141-01	EMBLEM, headlight	1	
10	3R8-84181-00	BRACKET, lower 1	1	
11	98501-05016	SCREW, Pan head	2	
12	92901-05100	WASHER, spring	2	
13	3R8-84163-00	DAMPER	2	
14	3R8-84133-00	COLLAR, screw	2	
15	3R8-84164-00	DAMPER	2	
16	90201-06571	WASHER, Plate	2	
17	92501-06012	SCREW, Pan head	2	
18	92901-06100	WASHER, spring	2	
19	92501-06030	SCREW, Pan head	2	
20	90185-06062	NUT, self-locking	2	
21	90201-06407	WASHER, Plate	2	
22	90462-05005	CLAMP	1	

FIG. 29 TAILLIGHT



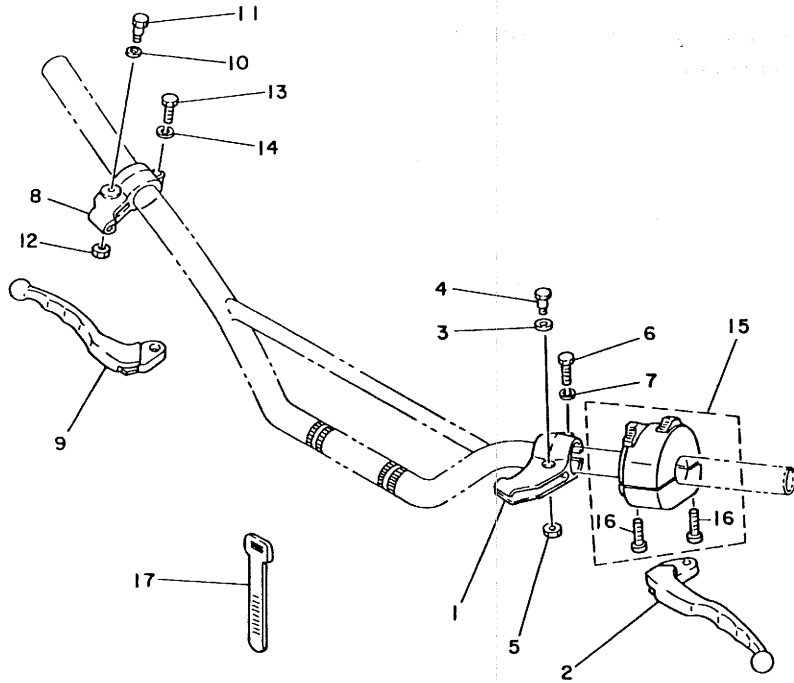
REF. NO.	PART NO.	DESCRIPTION	Q'TY	REMARKS
1	3R9-84536-00	SOCKET CORD ASSY	1	
2	3R9-84514-00	BULB, tail lamp (6V-5W)	1	
3	3R9-84521-00	LENS, taillight	1	
4	98501-04035	SCREW, Pan head	2	
5	90462-05005	CLAMP	1	

FIG. 30 ELECTRICAL 1



REF. NO.	PART NO.	DESCRIPTION	Q'TY	REMARKS
1	1M2-82310-40	IGNITION COIL ASSY	1	
2	92501-06025	SCREW, Pan head	2	
3	92901-06100	WASHER, sPring	2	
4	3R0-82370-20	PLUG CAP ASSY	1	UR
	8E7-82370-11	PLUG CAP ASSY	1	UR with noise suppressor
5	3R6-82590-00	WIRE HARNESS ASSY	1	
6	437-83936-00	BAND, switch cord	4	

FIG. 31 HANDLE SWITCH•LEVER



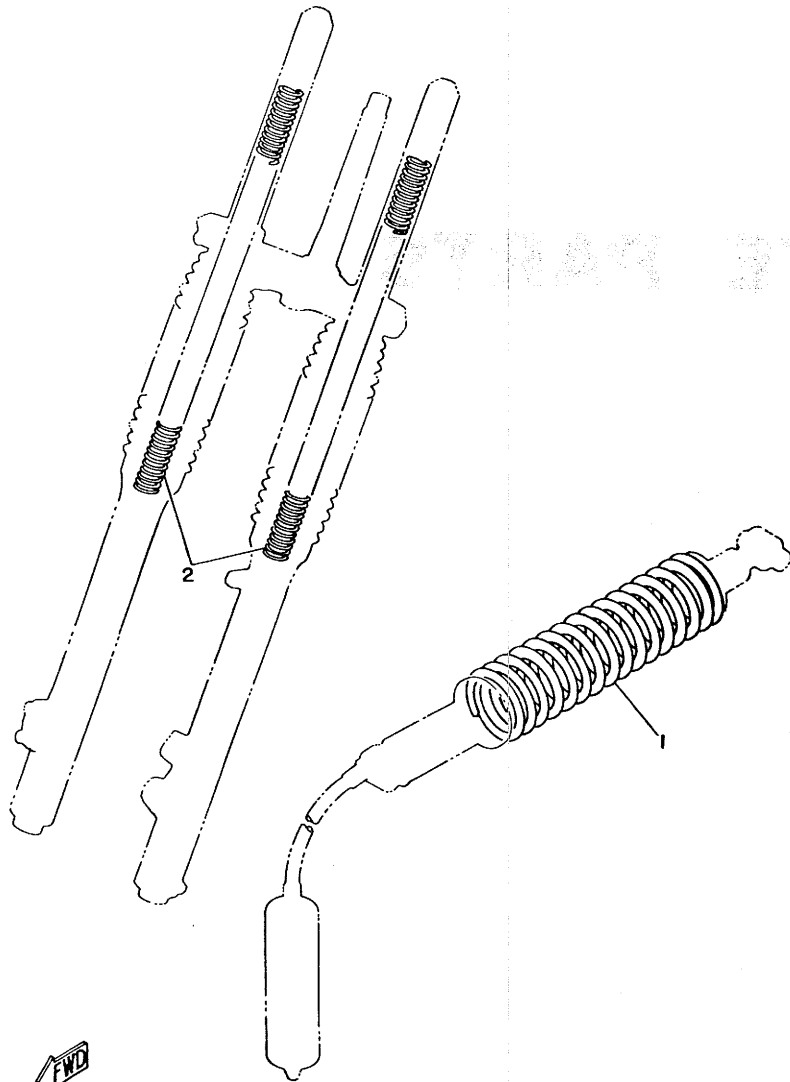
REF. NO.	PART NO.	DESCRIPTION	Q'TY	REMARKS
1	461-82911-00	HOLDER, lever 1	1	
2	2K6-83912-00	LEVER 1	1	
3	90201-08083	WASHER, Plate	1	
4	90109-06410	BOLT	1	
5	95601-06100	NUT, u	1	
6	97301-06022	BOLT	1	
7	92901-06100	WASHER, sPring	1	
8	516-82921-30	HOLDER, lever 2	1	
9	2K6-83922-00	LEVER 2	1	
10	90201-08083	WASHER, Plate	1	
11	90109-06410	BOLT	1	
12	95601-06100	NUT, u	1	
13	97301-06022	BOLT	1	
14	92901-06100	WASHER, sPring	1	
15	3R8-83973-00	SWITCH, handle 3	1	
16	98501-05022	•SCREW, Pan head	2	
17	437-83936-00	BAND, switch cord	2	



# **ALTERNATE PARTS**

FIG. 32 ALTERNATE (CHASSIS)

REF. NO.	PART NO.	DESCRIPTION	Q'TY	REMARKS
1	3R6-22212-10	SPRING	1	UR
	3R6-22212-20	SPRING	1	UR
2	3R6-23141-10	SPRING, front fork	2	UR
	3R6-23141-20	SPRING, front fork	2	UR



FWD



# REPAIR KIT

FIG. 33 REPAIR KIT

REF. NO.	PART NO.	DESCRIPTION	Q'TY	REMARKS
1	3R6-11630-00	PISTON ASSY (STD)	1	
2	3R6-11631-00-96	.PISTON (STD)	1	UR
	3R6-11631-00-97	.PISTON (STD)	1	UR
3	2W6-11601-00	.PISTON RING SET (STD)	1	
4	251-11633-00	.PIN, Piston	1	
5	93450-17025	.CIRCLIP	2	
6	3R6-11630-10	PISTON ASSY (1ST O/S)	1	
7	3R6-11635-00	.PISTON (1ST O/S 0.25MM)	1	
8	2W6-11601-10	.PISTON RING SET (1ST O/S)	1	
9	251-11633-00	.PIN, Piston	1	
10	93450-17025	.CIRCLIP	2	
11	3R6-11630-20	PISTON ASSY (2ND O/S)	1	
12	3R6-11636-00	.PISTON (2ND O/S 0.50MM)	1	
13	2W6-11601-20	.PISTON RING SET (2ND O/S)	1	
14	251-11633-00	.PIN, Piston	1	
15	93450-17025	.CIRCLIP	2	
16	3R6-11630-30	PISTON ASSY (3RD O/S)	1	
17	3R6-11637-00	.PISTON (3RD O/S 0.75MM)	1	
18	2W6-11601-30	.PISTON RING SET (3RD O/S)	1	
19	251-11633-00	.PIN, Piston	1	
20	93450-17025	.CIRCLIP	2	
21	3R6-11630-40	PISTON ASSY (4TH O/S)	1	
22	3R6-11638-00	.PISTON (4TH O/S 1.00MM)	1	
23	2W6-11601-40	.PISTON RING SET (4TH O/S)	1	
24	251-11633-00	.PIN, Piston	1	
25	93450-17025	.CIRCLIP	2	
26	3M5-11650-10	CONNECTING ROD ASSY	1	
27	1G8-11651-00	.ROD, connecting	1	

FIG. 33 REPAIR KIT

REF. NO.	PART NO.	DESCRIPTION	Q'TY	REMARKS
28	3M5-11681-00	•PIN, crank 1	1	
29	90209-22071	•WASHER	2	
30	93310-422G3	•BEARING, cylindrical	1	
31	93310-216E1	•BEARING, cylindrical	1	



# INDEX

NUMERICAL INDEX

PART NO.	REF. NO.	PART NO.	REF. NO.
3R6-W2473-00	22- 1	3R3-13565-00	4- 6
3R6-11111-00	1- 1	3R6-13610-00	4- 1
3R6-11161-00	1- 2	3R3-13613-00	4- 2
3R6-11162-00	1- 7	3R6-13616-00	4- 3
3R6-11181-00	1- 3	3R3-13621-00	4- 5
3R6-11311-00	1- 6	3R6-14101-00	5- 1
3R3-11351-00	1- 8	3R6-14112-20	5-48
3R6-11400-00	2- 1	2K6-14115-00	5-28
3R3-11412-00	2- 2	3G2-14115-00	5-13
3R6-11422-00	2- 3	239-14116-21	5-46
2W6-11601-00	2- 9	204-14122-00	5- 8
	33- 3	152-14123-00	5-50
2W6-11601-10	2- 9	363-14131-00	5-25
	33- 8	127-14134-00	5-12
2W6-11601-20	2- 9	132-14135-00	5-21
	33-13	509-14136-00	5- 6
2W6-11601-30	2- 9	164-14137-00	5- 4
	33-18	363-14137-00	5-37
2W6-11601-40	2- 9	353-14138-00	5-20
	33-23	8A7-14139-00	5-44
3R6-11630-00	33- 1	239-14141-48	5-47
3R6-11630-10	33- 6	193-14142-60	5-49
3R6-11630-20	33-11	137-14143-40	5-45
3R6-11630-30	33-16	137-14143-42	5-45
3R6-11630-40	33-21	137-14143-44	5-45
3R6-11631-00-96	2- 8	313-14146-00	5-24
	33- 2	483-14146-00	5- 3
3R6-11631-00-97	2- 8	2K6-14147-00	5-27
	33- 2	214-14147-00	5-38
251-11633-00	2-10	8F2-14147-00	5-40
	33- 4	822-14147-00	5-14
	33- 9	537-14153-00	5-29
	33-14	3R3-14155-00	5-39
	33-19	3R3-14158-00	5-36
	33-24	127-14161-00	5-41
3R6-11635-00	2- 8	802-14161-00	5- 7
	33- 7	737-14171-01	5-22
3R6-11636-00	2- 8	637-14173-00	5-18
	33-12	152-14174-00	5-19
3R6-11637-00	2- 8	3R6-14181-16	5-52
	33-17	483-14184-00	5-26
3R6-11638-00	2- 8	3L0-14185-00	5- 2
	33-22	537-14186-00	5-31
3M5-11650-10	33-26	310-14187-00	5-30
1G8-11651-00	2- 4	239-14190-33	5-51
	33-27	239-14195-00	5-32
3M5-11681-00	2- 5	493-14196-00	5-11
	33-28	310-14197-00	5-23

PART NO.	REF. NO.	PART NO.	REF. NO.
1X2-14244-00	5-15	1G8-16371-00	10- 7
737-14261-00	5-17	3R3-16380-01	10-23
509-14274-00	5- 5	3R6-17121-00	11- 2
3R6-14401-01	4-11	3R6-17131-00	11- 3
3R3-14412-01	4-12	3R6-17151-00	11- 4
3R6-14437-00	4-23	3R6-17161-00	11- 5
3R3-14450-00	4-16	3R6-17211-00	11- 9
3R3-14452-00	4-13	3R6-17221-00	11-10
3R6-14457-00	4-25	3R3-17231-00	11-11
3R3-14468-00	4-17	3R6-17241-00	11-12
3R3-14494-00	4-14	3R6-17251-00	11-13
3R6-14610-00	6- 1	3R6-17261-00	11-14
3R6-14613-01	6- 2	3R6-17411-00	11- 1
1W2-14714-00	6-12	137-17417-00-05	9- 2
3R6-14753-00	6- 7	3R3-17421-00	11- 8
565-14771-00	6- 4	1G8-17461-10	11-29
3R6-14781-00	6-19	1G8-17461-30	11-29
1W2-14787-00	6- 8	1W1-17461-20	11-29
256-14944-67	5-53	3R3-17471-00	11-25
3V3-14987-00	5-33	3R3-18101-01	13- 1
3R3-15111-02	7- 1	3R6-18111-00	13- 4
3R3-15121-01	7- 2	1W6-18113-00	13- 6
3R3-15128-00	7-12	3R3-18140-00	12- 7
1G8-15362-00	8- 5	3R8-18162-00	13- 5
2N4-15371-00	7- 7	1W1-18177-00	12- 9
2K7-15383-00	11-27	3R4-18185-00	12- 2
3R3-15411-00	8- 1	3R3-18511-00	12-10
3R6-15421-00	8- 9	3R3-18512-00	12-11
3R3-15431-00	8-12	3R3-18513-00	12-12
3R3-15451-01	8- 2	3R4-18531-00	12-14
3R3-15455-00	8-10	3R4-18535-00	12-15
3R3-15618-01	9-18	3R3-18540-01	12- 1
3R3-15620-00	9-13	3R4-18561-00	12- 3
3R3-15621-00	9-14	3R6-21110-01-33	14- 1
3R3-15641-00	9- 5	288-21376-00	3-24
3R3-15651-01	9- 1	3R4-2139W-00	14-20
248-15654-00	9- 7	3R3-21415-00	14- 9
3R3-15660-00	9- 4	3R6-21471-00	14-15
3R3-15666-00	9- 9	3R3-2148A-00	14- 4
3R6-16111-00	10- 1	3R8-21511-00	15- 1
3R6-16150-00	10- 6	3R6-21610-00	15- 6
3R6-16300-00	10- 5	1M1-21621-00	15-15
537-16321-00	10- 9	3R6-21629-00	15-14
137-16325-70	10- 8	3R6-21638-00	15-17
1W1-16351-00	10-10	3R6-21639-00	15-18
1W1-16356-00	10-22	3R6-21669-00	15-19
2X3-16357-00	10-17	3R6-21711-00-26	16- 1
1W1-16358-00	10-19	3R6-21721-00-26	16- 9

NUMERICAL INDEX

PART NO.	REF. NO.	PART NO.	REF. NO.
2J5-21732-00	14-16	1W1-23142-L0	20-15
3R6-21737-00	16- 2	3R8-23144-L0	20- 6
	16-10	1W1-23145-L0	20- 5
565-21746-00	15-16	3R8-23148-L0	20- 7
3R6-22110-00-35	17- 1	2X1-23151-00	20-10
156-22127-00	17-10	3R2-23153-00	20- 4
1W1-22128-00	18-31	509-23158-L0	20-24
2K6-22128-00	17-11	509-23163-L0	20-23
1W4-22141-00	17-14	1W1-23168-L0	20-20
3R3-22147-00	17-35	3R6-23170-L0	20- 9
431-22151-03	17-13	3R6-23173-L0	20-11
2K6-22178-00	14- 3	278-23181-50	20-26
3R3-22179-00	17-22	509-23190-L0	20-21
3R3-22199-00	17-23	2X3-23191-M0	20-16
3R6-22210-00	18- 1	509-23194-L0	20-32
3R6-22212-00	18-19	3R4-23371-00	19-12
3R6-22212-10	32- 1	1W2-23318-00	19-18
3R6-22212-20	32- 1	2X7-23340-00-33	20-13
3R4-22213-00	18-17	3R4-23389-00	20-22
3R4-22214-00	18-20	1W1-23416-00	19-10
1W1-22216-00	18- 3	1W1-23435-01-98	19- 1
3R4-22221-01	18-16	1E6-23441-00-98	19- 6
3R4-22223-00	18-22	3R6-24110-00	21- 1
3R4-22224-00	18-21	1W1-24144-01	21- 3
3R4-22226-00	18-12	1W1-24173-00	21-10
3R4-22228-00	18-10	3R4-24181-00	21-30
3R4-22261-00	18-33	431-24181-00	16-11
3R3-22262-00	18-34	1W1-24182-01	21- 2
3R6-22311-00	17-17	1W1-24183-00	21-31
3R6-22401-00	18- 2	156-24186-00	6-16
3R4-22409-00	18-11	3R6-24192-00	21- 7
3R4-22472-00	18- 8	3R6-24240-10	21-32
3R4-22473-00	18- 7	3R9-24500-00	21-11
3R4-22475-00	18- 6	2W6-24512-00	21-19
3R4-22489-00	18- 5	357-24521-10	21-16
1W1-22493-00	18- 9	357-24522-10	21-17
3R4-22497-00	18-14	2W6-24524-00	21-12
3R6-23101-L0	20- 1	2N3-24528-00	21-15
3R6-23110-L0	20- 8	2W6-24529-00	21-14
1W1-23111-L0	20-19	2N3-24535-00	21-13
1W1-23114-L0	20-12	2W6-24561-00	21-18
122-23119-01	20-31	1K7-24611-01	21-22
3R6-23126-L0	20- 3	1K7-24612-02	21-23
122-23129-00	20-25	509-24724-00	22- 5
3R6-23136-L0	20- 2	509-24738-01	22- 4
3R6-23141-L0	20-14	1M1-24748-00	22- 3
3R6-23141-10	32- 2	3R6-24771-00	22- 2
3R6-23141-20	32- 2	1W2-24833-01	22-11
		1W2-24850-01	22-10

NUMERICAL INDEX

PART NO.	REF. NO.	PART NO.	REF. NO.	PART NO.	REF. NO.
1W2-24854-00	22-15	1W2-27239-00	26-16	3R6-85500-20	3-1
2W6-25104-01	23-14	3R6-27242-00	26-2	3R5-85509-20	3-3
1K7-25111-10-98	23-1	2K6-27311-01-33	26-18	3R5-85511-20	3-4
146-25116-00	23-3	3R4-27411-00	26-22	3R5-85512-20	3-5
1W1-25121-01-98	23-6	3R3-27412-00	26-23	1W2-85513-20	3-6
322-25130-00	23-7	3R4-27421-00	26-27	3R6-85515-20	3-9
322-25151-00	23-9	3R6-27422-00	26-28	1W2-85516-20	3-8
322-25155-00	23-10	1W2-28100-10	22-16	2W6-85540-20	3-23
137-25159-00	23-12	1W1-28135-10	22-17	2K7-85547-00	3-25
1W2-25181-01	23-20	104-81328-20	3-10	3R6-85550-20	3-2
1W2-25190-00	23-19	110-81345-21	3-17	3R6-85580-20	3-7
1T1-25194-00	23-18	1M2-82310-40	30-1	341-92060-60	20-17
537-25304-01	24-19	3R0-82370-20	30-4	3R6-92090-L0	20-18
3R3-25311-00-98	24-1	8E7-82370-11	30-4	90101-06278	24-12
183-25315-00	24-3	3R6-82590-00	30-5	90101-06291	23-11
3R3-25317-00	24-2	461-82911-00	31-1	90101-06304	22-6
3R6-25321-00-98	24-7	516-82921-30	31-8	90101-08428	26-25
437-25330-00	24-8	3R8-83513-00	27-2		26-30
401-25351-00	24-10	3R8-83519-00	27-3	90105-12096	26-32
3R6-25355-01	24-11	1E6-83524-60	27-5	90105-14136	19-5
148-25359-00	24-17	1M1-83526-00	27-4	90109-06410	31-4
3R3-25367-00	24-33	3R6-83550-00	27-10		31-11
3R6-25381-00	24-35	3R8-83570-F0	27-1	90109-08397	20-27
1W2-25388-01	24-28	3R8-83570-60	27-1	90109-08552	24-25
1W2-25389-01	24-29	2A6-83595-00	27-11	90109-08569	17-2
2X3-25394-00	24-23	2K6-83912-00	31-2	90109-08573	6-20
3R6-25442-10	24-24	2K6-83922-00	31-9	90109-10473	26-19
3R6-25444-10	24-24	437-83936-00	25-22	90109-10550	18-24
3R6-25446-10	24-24		30-6	90116-08318	1-10
3R6-26111-00	25-1		31-17	90116-08319	1-9
3Y0-26141-00	25-24	437-83936-10	25-21	90116-08321	1-4
3Y0-26142-00	25-29	3R8-83973-00	31-15	90119-06022	21-24
1E6-26241-00	25-2	3R8-84110-61	28-1	90123-08046	25-19
583-26242-00	25-3	527-84114-09	28-2		25-23
322-26243-00	25-4	3R8-84115-60	28-3	90149-06011	21-21
1W1-26249-00	25-5	1W2-84120-60	28-4	90159-05011	10-12
322-26281-00-98	25-6	3R8-84130-00	28-8	90170-12067	3-20
322-26282-00-98	25-7	3R8-84133-00	28-14	90170-14171	10-16
3R8-26287-00	25-9	3R8-84140-61	28-5	90170-16111	17-16
3R6-26311-00	25-10	3R8-84141-01	28-9	90170-20213	18-18
3R6-26335-00	25-17	1W2-84144-60	28-6	90171-14020	23-22
3R6-26341-01	25-11	3R8-84163-00	28-13		24-36
1E6-26342-00	25-12	3R8-84164-00	28-15	90175-06012	4-15
	25-18	3R8-84181-00	28-10	90175-06013	26-17
156-26347-00	25-15	1W2-84324-60	28-7	90179-08148	25-20
3R6-27211-01-90	26-1	3R9-84514-00	29-2	90179-08278	17-3
3R6-27231-00	26-10	3R9-84521-00	29-3	90179-08293	1-11
3R6-27237-00	24-14	3R9-84536-00	29-1	90179-08299	1-5
					1-12
				90179-10272	9-20

NUMERICAL INDEX

PART NO.	REF. NO.	PART NO.	REF. NO.	PART NO.	REF. NO.
179-12302	10-3	90282-04036	12-5	90508-14426	10-24
179-16226	11-32	90282-05038	2-17	90508-20023	26-24
179-25033	19-11	90338-07011	7-9		26-29
185-06062	28-20	90338-22103	17-4	90508-20415	13-8
90185-08054	14-14	90339-13005	14-2	90508-20451	26-3
	24-26	90340-12059	7-10	90508-26427	9-10
90201-06042	13-9	90380-12051	18-13	90508-26435	12-8
90201-06067	6-23	90380-16077	17-8	90508-32374	13-14
	8-14	90381-15034	24-34	90508-32455	26-14
	15-2	90386-22097	17-5	90560-08066	17-21
	15-7	90387-06388	15-13	90560-11189	13-13
	15-20	90387-07393	21-26	90560-15116	23-2
	16-3	90387-081A3	6-15	90560-17190	10-13
	16-12	90387-08762	26-6	91401-20012	25-16
	22-14	90387-152A3	24-32		26-13
90201-06407	21-25	90387-16781	7-3	91401-20025	18-27
	28-21	90387-202A0	11-30	91401-25012	26-7
90201-06571	28-16	90430-06016	8-8	91401-25022	24-16
90201-08083	25-14	90430-12038	7-11	91401-30022	18-30
	31-3	90445-07340	7-8	91401-30030	23-23
	31-10	90445-09117	21-29	91401-40020	9-19
	20-30	90445-11150	21-27	91402-16015	5-16
90201-12593	3-22	90446-11173	14-21	91402-20012	24-40
90201-12631	24-15	90460-37026	6-13	91402-30028	24-38
90201-13202	14-5	90460-49058	4-10	91701-08032	26-4
90201-14217	10-25	90460-64065	4-19	91702-06055	24-39
90201-15238	24-37	90462-05005	4-9	91702-12040	9-17
90201-15701	11-15		28-22	91810-02014	1-13
90201-15785	23-21		29-5		7-4
90201-17550	10-14	90462-14055	19-13		8-4
90201-20266	11-6	90467-10008	21-28		
90201-22555	11-17	90467-20030	4-18		
90201-22680	17-9	90468-12007	27-6	92501-06012	17-18
90202-06010	21-20	90468-26048	9-6		28-17
90204-12007	10-2	90480-12053	16-8	92501-06014	16-6
90209-06187	15-5		16-15	92501-06015	3-18
90209-18135	11-19	90480-13197	4-22		8-13
90209-22071	2-6	90480-14198	15-12		16-4
	33-29	90480-22263	18-32		16-13
	14-12	90480-22269	6-14		25-25
90214-09019	10-15	90501-10245	26-15		25-30
90215-14144	11-31	90501-12081	9-15	92501-06020	8-15
90215-16127	26-11	90501-20361	10-11		17-30
90240-06040	26-11	90506-16036	23-8	92501-06025	19-14
90240-08012	18-28		24-9		30-2
90240-12074	13-7	90507-20030	6-3	92501-06030	28-19
90243-08017	12-13	90507-29008	26-21	92501-08010	7-13
90250-06013	2-18	90508-09420	13-2	92502-06016	18-35
90280-03017					

NUMERICAL INDEX

NUMERICAL INDEX

PART NO.	REF. NO.	PART NO.	REF. NO.	PART NO.	REF. NO.	PART NO.	REF. NO.	PART NO.	REF. NO.
92506-06008	8-7	92901-06600	22-9	93306-30406	2-13	95301-06700	25-32	97702-50116	4-24
92506-06025	8-3		25-26	93306-30411	11-23	95301-10700	26-20	98501-04005	18-4
	8-11		25-31	93310-216E1	2-12	95302-06700	26-35	98501-04014	3-15
92506-06030	7-5		27-9		33-31	95302-10700	18-25	98501-04030	3-13
92506-06050	7-6		27-14	93310-422G3	33-30	95311-08600	20-28	98501-04035	3-11
92701-06012	11-28	92901-08100	6-18	93310-422H0	2-7	95601-06100	6-24		29-4
92901-03100	5-35		14-18	93311-31515	11-22		17-34	98501-05015	5-9
92901-04100	3-12		17-25	93311-41530	11-21		31-5	98501-05016	25-8
	3-14		17-28	93315-21429	10-27		31-12		28-11
	3-16		20-29	93317-22214	17-6	95601-08100	26-26	98501-05018	19-19
92901-05100	17-37	92901-08200	6-21	93332-00001	19-8		26-31	98501-05022	31-16
	28-12		16-16	93332-00008	19-9			98502-03007	5-34
92901-05200	17-38		17-26	93410-17037	9-11	95701-08100	19-4	98502-04008	5-42
92901-05600	19-20		24-27	93410-20038	11-7	95702-08300	14-7	98701-05016	12-6
92901-06100	4-21	92901-08600	14-19	93410-22039	11-18	95812-08075	14-10		
	6-6		17-29	93410-30012	9-8	95812-08160	14-11		
	6-10		26-5	93430-09035	26-9	95821-08035	19-7		
	15-9	92901-12100	3-21	93430-10016	13-15	95821-08040	19-2		
	15-11	92901-12600	18-29	93440-15012	9-3	95821-08055	19-3		
	15-22	92901-16100	17-15		11-16	95821-10020	26-33		
	16-5	92902-04100	5-43	93440-50078	18-23	97301-05012	17-36		
	16-7	92902-05100	5-10	93450-17025	2-11	97301-06012	4-20		
	16-14	92902-06100	15-4		33-5		6-5		
	17-19		18-36		33-10		6-9		
	17-31	92902-06600	18-37		33-15		21-4		
	19-15	92902-08200	14-8		33-20		21-8		
	21-5		14-13		33-25		27-12		
	21-9	92902-10600	18-26	93503-16010	10-18	97301-06014	15-8		
	22-8	92902-12200	26-8	93507-32009	9-16		15-21		
	22-13	93101-12060	13-11	93604-16092	10-28		22-7		
	27-8	93101-17062	9-12	93604-26132	18-15	97301-06018	22-12		
	27-13	93102-25214	2-16	93608-25150	13-12	97301-06022	31-6		
	28-18	93102-26042	11-24	94130-21584	23-15		31-13		
	30-3	93103-28100	2-15	94141-18585	24-20	97301-06025	4-7		
	31-7	93104-14004	10-26	94230-21126	23-16		15-10		
	31-14	93106-22017	24-6	94235-18022	24-21	97301-06045	6-22		
92901-06200	8-16	93108-35004	17-12	94325-18043	24-22	97301-06055	17-33		
	10-20	93109-22018	17-7	94330-21088	23-17	97301-08014	14-17		
	17-20	93210-14104	8-6	94416-21234	23-13	97301-08016	17-27		
	25-28	93210-20027	10-4	94418-18245	24-18	97301-08020	17-24		
	25-33	93306-00421	12-4	94585-20100	24-30	97301-08030	6-17		
	26-12	93306-20107	13-3	94685-20001	24-31	97302-06020	15-3		
92901-06600	3-19	93306-20203	23-4	94701-00051	1-14		26-34		
	4-8	93306-20205	23-5	95301-05600	19-21	97302-08050	14-6		
	6-11		24-4	95301-06600	10-21	97321-06012	11-26		
	17-32	93306-20529	2-14		19-16	97321-06025	13-10		
	19-17	93306-30203	24-5		24-13	97321-06030	27-7		
	21-6	93306-30303	11-20	95301-06700	25-27	97602-03108	4-4		



## PARTS NAME INDEX

DESCRIPTION	REF. NO.
ABSORBER 1	1- 2
ABSORBER 2	1- 7
AIR CLEANER CASE ASSY	4-11
AIR VALVE COMP.	20-21
ARM, float	5-30
ARM, tensioner	17-22
AXLE, drive	11- 8
AXLE, main (IIT)	11- 1
AXLE, wheel	23-20
*	24-35
BALL	9-16
*	10-18
BAND, boot	20-17
*	20-18
BAND, rim (2.50-18)	24-22
BAND, rim (3.00-21)	23-17
BAND, switch cord	25-21
*	25-22
*	30- 6
*	31-17
BAND, tank fitting 1	21-10
BAND, tool	3-24
BAR, shift fork guide 1	12-14
BAR, shift fork guide 2	12-15
BASE, magneto	3- 3
BEARING	12- 4
*	19- 8
*	19- 9
BEARING (B6201)	13- 3
BEARING (B6202)	23- 5
*	24- 4
BEARING (B6202RS)	23- 4
BEARING (B6205C4)	2-14
BEARING (B6302Z)	11-20
*	24- 5
BEARING (B6304)	11-23
BEARING (B6304C3)	2-13
BEARING, cylindrical	2- 7
*	2-12
*	10-27
*	11-21
*	11-22
*	17- 6
*	33-30
*	33-31
BODY ASSY, headlight	28- 8
BODY, cap	21-22

## PARTS NAME INDEX

DESCRIPTION	REF. NO.
BODY, float chamber 1	5-52
BOLT	4- 7
*	4-20
*	6- 5
*	6- 9
*	6-17
*	6-20
*	6-22
*	11-26
*	13-10
*	14- 6
*	14-17
*	15- 3
*	15- 8
*	15-10
*	15-21
*	17- 2
*	17-24
*	17-27
*	17-33
*	17-36
*	18-24
*	20-27
*	21- 4
*	21- 8
*	22- 6
*	22- 7
*	22-12
*	23-11
*	24-12
*	24-25
*	25-19
*	25-23
*	26-19
*	26-25
*	26-30
*	26-34
*	27- 7
*	27-12
*	31- 4
*	31- 6
*	31-11
*	31-13
BOLT, cap	20-19
BOLT, flange	14-10
*	14-11
*	19- 2
*	19- 3

## PARTS NAME INDEX

DESCRIPTION	REF. NO.
BOLT, flange	19- 7
*	26-33
BOLT, hexagon socket head	20-26
BOLT, stopper	12- 9
BOLT, stud	1- 4
*	1- 9
*	1-10
BOLT, washer based	19- 5
*	26-32
BOLT, with washer	21-24
BOOT	20-16
BOOT, cable	25-12
*	25-18
BOSS, clutch	10- 7
BOSS, kick crank	9-14
BRACKET, carrier 2	22-11
BRACKET, footrest 1	26-23
BRACKET, footrest 2	26-28
BRACKET, front upper 1	14- 9
BRACKET, fuel tank 2	21- 7
BRACKET, lower 1	28-10
BRACKET, meter	27- 3
BRACKET, seat	22- 3
*	22- 4
BRAKE SHOE COMP.	23- 7
*	24- 8
BREATHER	7- 7
BULB (6V-25/25W)	28- 2
BULB, tail lamp (6V-5W)	29- 2
BUSH	17- 5
BUSH, rear shock absorber	18- 3
BUSH, shock absorber lower	18-12
BUSH, solid	17- 8
*	18-13
*	24-34
C.D.I. MAGNETO ASSY	3- 1
C.D.I. UNIT ASSY	3-23
CABLE, brake	25-11
CABLE, clutch	25-17
CABLE, throttle 1	25-10
CAMSHAFT	23- 9
*	24-10
CAP, case	18- 8
CAP, cleaner case 1	4-12
CAP, grip lower	25- 7
CAP, grip upper	25- 6
CAP, plunger	5-19
CAP, silencer	6- 8

## PARTS NAME INDEX

DESCRIPTION	REF. NO.
CARBURETOR ASSY 1	5- 1
CARRIER BOX ASSY	22-10
CASE, chain	17-17
CHAIN, drive (DID520DS 100L)	24-30
CIRCLIP	2-11
*	9- 3
*	9- 8
*	9-11
*	11- 7
*	11-16
*	11-18
*	13-15
*	18-23
*	26- 9
*	33- 5
*	33-10
*	33-15
*	33-20
*	33-25
CLAMP	3-10
*	4- 9
*	19-13
*	27-11
*	28-22
*	29- 5
CLAMP, hose	4-10
*	4-19
*	6-13
CLIP	4-18
*	5- 4
*	5-37
*	9- 6
*	21-28
*	27- 6
CLIP, PiPe	5-44
CLIP, PlunGer	5-20
CLUTCH ASSY	10- 5
COIL, lighting 1	3- 6
COIL, Pulser	3- 7
COIL, source	3- 4
*	3- 5
COLLAR	6-15
*	7- 3
*	11-30
*	15-13
*	21-26
*	24-32
*	26- 6

## PARTS NAME INDEX

DESCRIPTION	REF. NO.
COLLAR, screw	28-14
CONNECTING ROD ASSY	33-26
CONNECTOR	5- 5
COVER	14-20
*	18-16
COVER, ball race 2	19-10
COVER, caP GriP	25- 9
COVER, crankcase 1	8- 1
COVER, crankcase 2	8- 9
COVER, crankcase 3	8-12
COVER, dust seal	20- 7
COVER, headlight	28- 6
COVER, hub dust	24-33
COVER, kick lever	9-18
COVER, PlunGer caP	5-18
COVER, semi-double seat	22- 2
COVER, shift Pedal	13- 6
COVER, side (L.H)	16- 1
COVER, side (R.H)	16- 9
COVER, thrust 1	17-11
*	18-31
CRANK 1	2- 2
CRANK 2	2- 3
CRANKCASE 1	7- 1
CRANKCASE 2	7- 2
CRANKSHAFT ASSY	2- 1
CROWN, handle	19- 1
CUP, filter	21-16
CYLINDER COMP., front fork	20- 9
CYLINDER 1	1- 6
DAMPER	3-25
*	22-15
*	27- 2
*	28-13
*	28-15
DAMPER 1	15-17
DAMPER 2	15-18
*	27- 4
DAMPER, locating 1	16-11
*	21-30
DAMPER, locating 2	21- 2
DAMPER, locating 3	21-31
DAMPER, seat	22- 5
DAMPER, sub tank	18-33
DUCT	4-23
DUMPER SUB ASSY	18- 2
ELEMENT ASSY, air cleaner	4-16
EMBLEM	16- 2

## PARTS NAME INDEX

DESCRIPTION	REF. NO.
EMBLEM	16-10
EMBLEM, headlight	28- 9
EXHAUST PIPE ASSY 1	6- 1
FENDER, front	15- 1
FLANGE, sPacer	24- 3
FLANGE, sPacer 2	23- 3
FLAP	15-15
FLOAT	5- 2
FOOTREST 1	26-22
FOOTREST 2	26-27
FORK, shift 1	12-10
FORK, shift 2	12-11
FORK, shift 3	12-12
FRAME COMP	14- 1
FRONT FORK ASSY	20- 1
FUEL COCK ASSY 1	21-11
FUEL TANK COMP.	21- 1
GASKET	7-11
*	8- 8
*	20-12
*	20-24
*	21-17
*	21-23
GASKET, caP	8-10
GASKET, carburetor cover 1	8- 2
GASKET, crankcase cover	1- 8
GASKET, cylinder	1- 3
GASKET, cylinder head 1	20-25
GASKET, drain Plug	6- 2
GASKET, exhaust PiPe	5-26
GASKET, float chamber	6-12
GASKET, muffler	4- 5
GASKET, valve seat	23-19
GEAR UNIT ASSY	9- 5
GEAR, kick (25T)	10- 1
GEAR, Primary drive (17T)	9- 1
GEAR, sProcket idle (25T)	11- 9
GEAR, 1st wheel (34T)	11- 2
GEAR, 2nd Pinion (13T)	11-10
GEAR, 2nd wheel (27T)	11-11
GEAR, 3rd wheel (24T)	11- 3
GEAR, 3rd/4th Pinion (16T,21T)	11-12
GEAR, 4th wheel (25T)	11- 4
GEAR, 5th Pinion (20T)	11-13
GEAR, 5th wheel (20T)	11- 5
GEAR, 6th Pinion (22T)	11-14
GEAR, 6th wheel (18T)	21-32
GRAPHIC SET	25- 2
GRIP (L.H)	

## PARTS NAME INDEX

DESCRIPTION	REF. NO.
GRIP (R.H)	25- 3
GROMMET	4-22
*	6-14
*	15-12
*	16- 8
*	16-15
*	18-32
GUARD, brush 1	25-24
GUARD, brush 2	25-29
GUARD, mud	15-14
GUIDE, cable	5-39
*	20-22
GUIDE, spring 1	18-20
GUIDE, spring 2	18-21
HANDLEBAR	25- 1
HEAD, cylinder 1	1- 1
HEADLIGHT UNIT ASSY	28- 1
HOLDER	5-17
*	7-12
HOLDER, cable	19-12
HOLDER, cable 1	19-18
HOLDER, damper	21- 3
HOLDER, handle upper	19- 6
HOLDER, kick gear	9- 7
HOLDER, lever 1	31- 1
HOLDER, lever 2	31- 8
HOLDER, nozzle	5-15
HOLDER, sub tank	18-34
HOSE	5-33
*	7- 8
*	14-21
*	21-27
*	21-29
HOUSING, seal ring	18- 7
HUB, front	23- 1
HUB, rear	24- 1
IGNITION COIL ASSY	30- 1
INNER TUBE COMP.1	20- 8
JET, main (#200)	5-45
JET, main (#210)	5-45
JET, main (#220)	5-45
JET, Pilot (#60.0)	5-49
JET, Power	5-53
JOINT, cable	25-15
JOINT, carburetor	4- 6
JOINT, chain	24-31
KEY, straight	2-17
*	12- 5
KEY, woodruff	2-18

## PARTS NAME INDEX

DESCRIPTION	REF. NO.
KICK AXLE ASSY	9- 4
KICK CRANK ASSY	9-13
LEAD WIRE ASSY	3- 9
LENS ASSY	28- 4
LENS, taillight	29- 3
LEVER 1	31- 2
LEVER 2	31- 9
LEVER, camshaft	24-11
LEVER, camshaft 1	23-10
LEVER, cock	21-12
NEEDLE	5-46
NEEDLE VALVE ASSY	5-51
NET, filter	21-18
NOZZLE, main	5-47
NUT	1- 5
*	1-11
*	1-12
*	3-20
*	9-20
*	10- 3
*	10-16
*	10-21
*	11-32
*	17- 3
*	17-16
*	18-18
*	18-25
*	19-11
*	19-16
*	19-21
*	20-28
*	24-13
*	25-20
*	25-27
*	25-32
*	26-20
*	26-35
NUT, adjusting	18-14
NUT, cable adjusting	5- 7
*	5-41
NUT, castle	23-22
*	24-36
NUT, flange	14- 7
*	19- 4
NUT, self-locking	14-14
*	24-26
*	28-20

## PARTS NAME INDEX

DESCRIPTION	REF. NO.
NUT, u	6-24
*	17-34
*	26-26
*	26-31
*	31- 5
*	31-12
NUT, wing	4-15
*	26-17
O-RING	5-14
*	5-27
*	5-38
*	5-40
*	8- 6
*	10- 4
*	20-23
*	21-15
*	21-19
OIL SEAL	2-15
*	2-16
*	9-12
*	10-26
*	11-24
*	13-11
*	17- 7
*	17-12
*	20- 5
*	24- 6
PEDAL, brake	26- 1
*	26- 2
PEDAL, shift	13- 4
*	13- 5
PIN	13- 7
PIN, clevis	9-17
*	18-28
*	24-14
*	24-39
*	25-13
*	26- 4
*	26-11
PIN, cotter	5-16
*	9-19
*	18-27
*	18-30
*	23-23
*	24-16
*	24-38
*	24-40
*	25-16

## PARTS NAME INDEX

DESCRIPTION	REF. NO.
PIN, cotter	26- 7
*	26-13
PIN, crank 1	2- 5
*	33-28
PIN, dowel	1-13
*	7- 4
*	8- 4
*	10-28
*	13-12
*	18-15
PIN, float	5-31
PIN, piston	2-10
*	33- 4
*	33- 9
*	33-14
*	33-19
*	33-24
PIN, straight	12-13
PIPE	5-11
*	5-23
PISTON (STD)	2- 8
*	2- 8
*	33- 2
*	33- 2
PISTON (1ST O/S 0.25MM)	2- 8
*	33- 7
PISTON (2ND O/S 0.50MM)	2- 8
*	33-12
PISTON (3RD O/S 0.75MM)	2- 8
*	33-17
PISTON (4TH O/S 1.00MM)	2- 8
*	33-22
PISTON ASSY (STD)	33- 1
PISTON ASSY (1ST O/S)	33- 6
PISTON ASSY (2ND O/S)	33-11
PISTON ASSY (3RD O/S)	33-16
PISTON ASSY (4TH O/S)	33-21
PISTON RING SET (STD)	2- 9
*	33- 3
PISTON RING SET (1ST O/S)	2- 9
*	33- 8
PISTON RING SET (2ND O/S)	2- 9
*	33-13
PISTON RING SET (3RD O/S)	2- 9
*	33-18
PISTON RING SET (4TH O/S)	2- 9
*	33-23
PLATE	5- 3

## PARTS NAME INDEX

DESCRIPTION	REF. NO.
PLATE	5-24
PLATE, bearing cover	11-27
PLATE, brake shoe	23- 6
*	24- 7
PLATE, clutch 2	10- 8
PLATE, cover	11-25
PLATE, element fitting	4-17
PLATE, friction	10- 9
PLATE, Pressure 1	10-10
PLATE, Push	10-19
PLATE, side 1	12- 3
PLUG	7- 9
*	14- 2
*	17- 4
PLUG CAP ASSY	30- 4
*	30- 4
PLUG, drain	20-31
PLUG, oil level	8- 5
PLUG, screw	5-13
*	5-28
PLUG, sPark (CHAMPION N2G)	1-14
PLUG, straight screw	7-10
PLUNGER, starter	5-22
PRIMARY DRIVEN GEAR COMP.(52T)	10- 6
PROTECTOR, chain	17-35
PROTECTOR, engine	14-15
PULLER, chain 1	24-28
PULLER, chain 2	24-29
PUSH LEVER ASSY	10-23
REAR ARM COMP.	17- 1
REAR FENDER COMP.	15- 6
REED VALVE ASSY	4- 1
REED, valve	4- 2
RIM (1.60-21)	23-13
RIM (1.85-18)	24-18
RIM, headlight	28- 3
RING, leaf	25- 5
RING, snap	20- 4
ROD, brake	26-10
ROD, connecting	2- 4
*	33-27
ROD, Push	18- 5
ROD, Push 1	10-22
ROD, Push 2	10-17
ROTOR ASSY	3- 2
SCREW	21-21
SCREW, air adjusting	5-50
SCREW, boot band	20-32

## PARTS NAME INDEX

DESCRIPTION	REF. NO.
SCREW, flat head	11-28
*	12- 6
SCREW, lever fitting	21-13
SCREW, Pan head	3-11
*	3-13
*	3-15
*	3-17
*	3-18
*	5- 9
*	5-34
*	5-42
*	7- 5
*	7- 6
*	7-13
*	8- 3
*	8- 7
*	8-11
*	8-13
*	8-15
*	16- 4
*	16- 6
*	16-13
*	17-18
*	17-30
*	18- 4
*	18-35
*	19-14
*	19-19
*	25- 8
*	25-25
*	25-30
*	28-11
*	28-17
*	28-19
*	29- 4
*	30- 2
*	31-16
SCREW, Pan head with washer	4- 4
SCREW, tapping	4-24
SCREW, throttle	5- 8
SCREW, with washer	10-12
SEAL	4-13
*	4-25
*	15-19
SEAL 1	14-16
SEAL, camshaft	23-12
*	24-17
SEAL, dust	18- 6

## PARTS NAME INDEX

DESCRIPTION	REF. NO.
SEAL, dust	20- 6
SEAL, Guard	17-13
SEAL, mud Guard	15-16
SEAT, sPring	5- 6
*	26-16
SEAT, sPring lower	18-22
SEAT, sPring uPPer	18-17
*	20-15
SEGMENT	12- 2
SEMI-DOUBLE SEAT ASSY	22- 1
SHAFT	14- 4
SHAFT, Pivot	17-14
SHIFT CAM ASSY	12- 1
SHIFT SHAFT ASSY	13- 1
SHIM (0.3T)	17-10
SHIM (0.5T)	9- 2
SHOCK ABSORBER ASSY, rear	18- 1
SILENCER, exhaust	6- 7
SOCKET CDRD ASSY	28- 5
*	29- 1
SPACER	3- 8
*	9- 9
*	10-13
*	13-13
*	17-21
*	23- 2
SPACER, bead	23-18
*	24-23
SPACER, bearing	24- 2
SPANNER, sPecial	22-17
SPEEDOMETER ASSY	27- 1
*	27- 1
SPEEDOMETER CABLE ASSY	27-10
SPINDLE, taPer	20-11
SPOKE SET, front	23-14
SPOKE SET, rear	24-19
SPRING	18-19
*	21-14
*	32- 1
*	32- 1
SPRING, air adjustinG	5-12
SPRING, comPression	9-15
*	10-11
*	26-15
SPRING, front fork	20-14
*	32- 2
*	32- 2
SPRING, lens fittinG	28- 7

## PARTS NAME INDEX

DESCRIPTION	REF. NO.
SPRING, PlunGer	5-21
SPRING, sub	7-11
SPRING, tension	6- 3
*	23- 8
*	24- 9
*	26-21
SPRING, throttle valve	5-25
SPRING, torsion	9-10
*	10-24
*	12- 8
*	13- 2
*	13- 8
*	13-14
*	26- 3
*	26-14
*	26-24
*	26-29
SPROCKET, drive (11T)	11-29
SPROCKET, drive (12T)	11-29
SPROCKET, drive (13T)	11-29
SPROCKET, driven (42T)	24-24
SPROCKET, driven (44T)	24-24
SPROCKET, driven (46T)	24-24
STAND, side	26-18
STAY 2	4-14
STAY, muffler 1	6- 4
STAY, muffler 2	6-19
STOPPER LEVER ASSY	12- 7
STOPPER, bump	18- 9
STOPPER, reed valve	4- 3
SUPPORT, bump stoP	18-10
SUPPORT, chain	17-23
SWITCH, handle 3	31-15
TENSIONER	14- 3
TIRE (3.00-21)	23-15
TIRE (4.10-18)	24-20
TOOL KIT	22-16
TOP, mixing chamber	5-36
TUBE (3.00-21)	23-16
TUBE (3.50-18)	24-21
TUBE, outer 1	20- 3
TUBE, outer 2	20- 2
TUBE, throttle guide	25- 4
UNDER BRACKET COMP.	20-13
UPPER BRACKET SUB ASSY	18-11
VALVE, throttle 1	5-48
WASHER	2- 6
*	11-19
*	14- 8

## PARTS NAME INDEX

DESCRIPTION	REF. NO.
WASHER	14-13
*	15- 5
*	18-37
*	26- 8
*	33-29
WASHER, claw	14-12
WASHER, lock	10-15
*	11-31
WASHER, main Jet	5-29
WASHER, needle valve	5-32
WASHER, outer tube	20-20
WASHER, Plain	6-21
*	8-16
*	10-20
*	16-16
*	17-20
*	17-26
*	17-38
*	24-27
*	25-28
*	25-33
*	26-12
WASHER, Plate	3-19
*	3-22
*	4- 8
*	6-11
*	6-23
*	8-14
*	10-14
*	10-25
*	11- 6
*	11-17
*	13- 9
*	14- 5
*	14-19
*	15- 2
*	15- 7
*	15-20
*	16- 3
*	16-12
*	17- 9
*	17-29
*	17-32
*	18-26
*	18-29
*	19-17
*	19-20
*	20-30

## PARTS NAME INDEX

DESCRIPTION	REF. NO.
WASHER, Plate .....	21- 6
*	21-20
*	21-25
*	22- 9
*	22-14
*	23-21
*	24-15
*	24-37
*	25-14
*	25-26
*	25-31
*	26- 5
*	27- 9
*	27-14
*	28-16
*	28-21
*	31- 3
*	31-10
WASHER, Plate (1.0T) .....	11-15
WASHER, sPecial .....	6-16
*	27- 5
WASHER, sPring .....	3-12
*	3-14
*	3-16
*	3-21
*	4-21
*	5-10
*	5-35
*	5-43
*	6- 6
*	6-10
*	6-18
*	10- 2
*	14-18
*	15- 4
*	15- 9
*	15-11
*	15-22
*	16- 5
*	16- 7
*	16-14
*	17-15
*	17-19
*	17-25
*	17-28
*	17-31
*	17-37
*	18-36

## PARTS NAME INDEX

DESCRIPTION	REF. NO.
WASHER, sPring .....	19-15
*	20-29
*	21- 5
*	21- 9
*	22- 8
*	22-13
*	27- 8
*	27-13
*	28-12
*	28-18
*	30- 3
*	31- 7
*	31-14
WIRE HARNESS ASSY .....	30- 5