

YAMAHA

PARTS CATALOGUE

IT175H (3R6)

113R6-300E1



FOREWORD

This Parts Catalogue is related to the parts in use for the Yamaha IT 175H (3R6).
When you are ordering replacement parts for the IT 175H (3R6), refer to this Parts Catalogue and quote both part numbers and part names correctly.

1. Modifications or additions which have been made after issue of the Parts Catalogue will be announced in the Yamaha Parts News.
It is advisable that according to the Yamaha Parts News you make necessary corrections to the Parts Catalogue on hand to keep it up-to-date.

2. Abbreviations

The following abbreviations are used in this Parts Catalogue.

- U.R. Use size (thickness) and/or number as required.
- U.N. Use as many as you need.
- A.P. Alternate Parts
- L.M. Local Made
- F# Frame No. (Applicable machine No.)

3. The parts marked with (*) in the parts number column of this Catalogue are not supplied with by Yamaha, those have to be found locally.
4. Parts, which are to be supplied in the form of assemblies, are listed with an indentation of one letter's space, and a dot (.) is put against the name of each part.

EXAMPLE CARBURETOR ASS'Y
 . JET, pilot
 . NOZZLE, main

5. Indication of No. of constituent parts for assembly

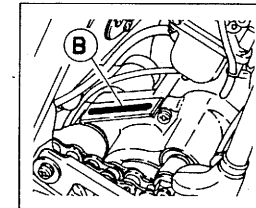
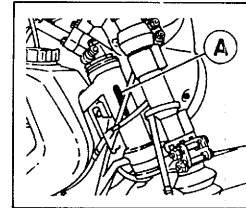
The numeral appearing to the right of each constituent part under the description indicates the quantity of such parts for each individual assembly unit.

EXAMPLE

Part No.	Description	Q'ty	Remarks
2F5-83310-60	FRONT FLASHER LIGHT ASS'Y	2	
115-83311-60	. BULB (6V-18W)	1	
1M1-83309-60	. REFLECTOR	1	

6. Initial Serial No. and Color Code

(A) Frame Serial No.	3R6-020101 and following
(B) Engine Serial No.	3R6-020101 and following



Color Code	Color Name	Abbreviate
	Sky Blue	

7. Applicable colors of graphics are represented in the "Remarks" column by the letter(s) appropriately picked out of the full word(s) showing such colors.

EXAMPLE

Part No.	Description	Q'ty	Remarks
2N4-24110-00-X5	FUEL TANK COMP.	1	MAXIM RED
3J1-24240-10	. GRAPHIC, fuel tank set	1	for MXR

CONTENTS

ENGINE

Fig. 1	Cylinder	1
Fig. 2	Crankshaft · Piston	2
Fig. 3	C.D.I Magneto	3
Fig. 4	Intake	4
Fig. 5	Carburetor	5
Fig. 6	Exhaust	7
Fig. 7	Crankcase	8
Fig. 8	Crankcase Cover	9
Fig. 9	Kick Starter	10
Fig. 10	Clutch	11
Fig. 11	Transmission	13
Fig. 12	Shift Cam · Fork	15
Fig. 13	Shift Shaft · Pedal	16

CHASSIS

Fig. 14	Frame	17
Fig. 15	Front Fender · Rear Fender	18
Fig. 16	Side Cover	19
Fig. 17	Rear Arm	20
Fig. 18	Rear Suspension	22
Fig. 19	Steering	24
Fig. 20	Front Fork	25
Fig. 21	Fuel Tank	27
Fig. 22	Seat	29
Fig. 23	Front Wheel	30
Fig. 24	Rear Wheel	31
Fig. 25	Handlebar · Cable	33
Fig. 26	Stand · Footrest	35
Fig. 27	Meter	37
Fig. 28	Headlight	38

Fig. 29	Taillight	39
Fig. 30	Electrical 1	40
Fig. 31	Handle Switch · Lever	41

ALTERNATE PARTS

Fig. 32	Alternate (Chassis)	42
---------	---------------------	----

REPAIR KIT

Fig. 33	Repair Kit	43
---------	------------	----

INDEX

Numerical Index
Parts Name Index

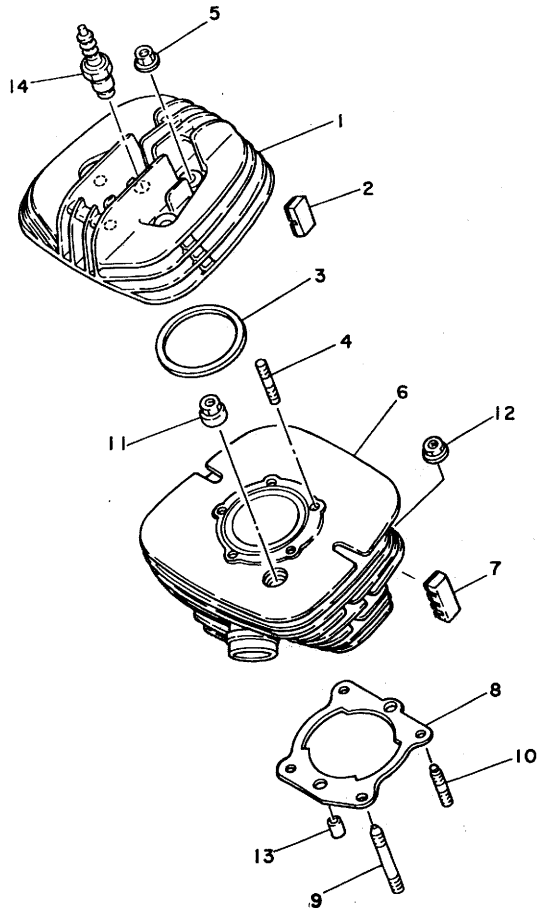
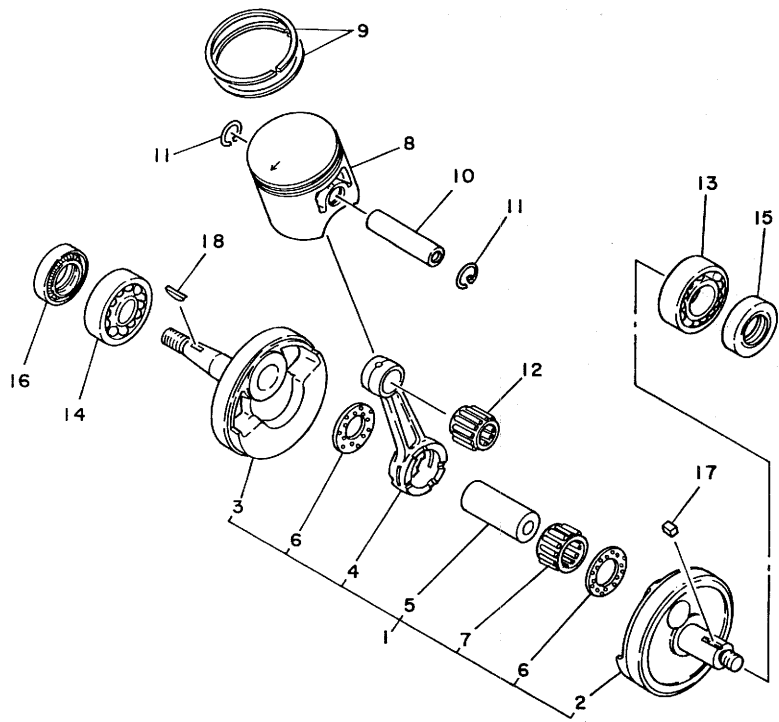


FIG. 1 CYLINDER

REF. NO.	PART NO.	DESCRIPTION	Q'TY	REMARKS
0 1	3R6-11111-00	HEAD, cylinder 1	1	
1 2	3R6-11161-00	ABSORBER 1	4	
✓ 3	3R6-11181-00	GASKET, cylinder head 1	1	
4	90116-08321	BOLT, stud	5	
5	90179-08299	NUT	5	
✓ 6	3R6-11311-00	CYLINDER 1	1	
7	3R6-11162-00	ABSORBER 2	4	
✓ 8	3R3-11351-00	GASKET, cylinder	1	
9	90116-08319	BOLT, stud	1	
10	90116-08318	BOLT, stud	3	
11	90179-08293	NUT	1	
12	90179-08299	NUT	3	
13	91810-02014	PIN, dowel	2	
14	*	PLUG, sPark (CHAMPION N2G)	1	LM

FWD

FIG. 2 CRANKSHAFT.PISTON

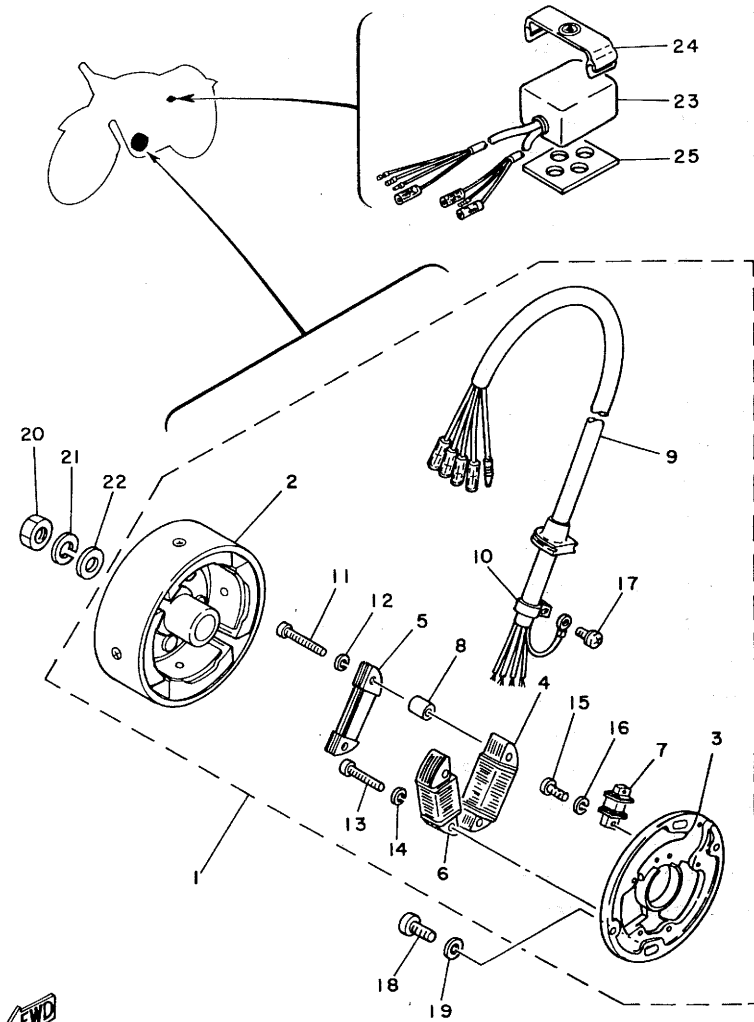


REF. NO.	PART NO.	DESCRIPTION	Q'TY	REMARKS
✓ 1	3R6-11400-00	CRANKSHAFT ASSY	1	
2	3R3-11412-00	•CRANK 1	1	
3	3R6-11422-00	•CRANK 2	1	
4	1G8-11651-00	•ROD, connecting	1	
5	3M5-11681-00	•PIN, crank 1	1	
6	90209-22071	•WASHER	2	
7	93310-422H0	•BEARING, cylindrical	1	
✓ 8	3R6-11631-00-96	PISTON (STD)	1	UR
	3R6-11631-00-97	PISTON (STD)	1	UR
	3R6-11635-00	PISTON (1ST O/S 0.25MM)	1	AP
	3R6-11636-00	PISTON (2ND O/S 0.50MM)	1	AP
	3R6-11637-00	PISTON (3RD O/S 0.75MM)	1	AP
	3R6-11638-00	PISTON (4TH O/S 1.00MM)	1	AP
✓ 9	2W6-11601-00	PISTON RING SET (STD)	1	
	2W6-11601-10	PISTON RING SET (1ST O/S)	1	AP
	2W6-11601-20	PISTON RING SET (2ND O/S)	1	AP
	2W6-11601-30	PISTON RING SET (3RD O/S)	1	AP
	2W6-11601-40	PISTON RING SET (4TH O/S)	1	AP
10	251-11633-00	PIN, Piston	1	
11	93450-17025	CIRCLIP	2	
12	93310-216E1	BEARING, cylindrical	1	
13	93306-30406	BEARING (B6304C3)	1	
14	93306-20529	BEARING (B6205C4)	1	
15	93103-28100	OIL SEAL	1	
16	93102-25214	OIL SEAL	1	
17	90282-05038	KEY, straight	1	
18	90280-03017	KEY, woodruff	1	



B3

FIG. 3 C.D.I MAGNETO

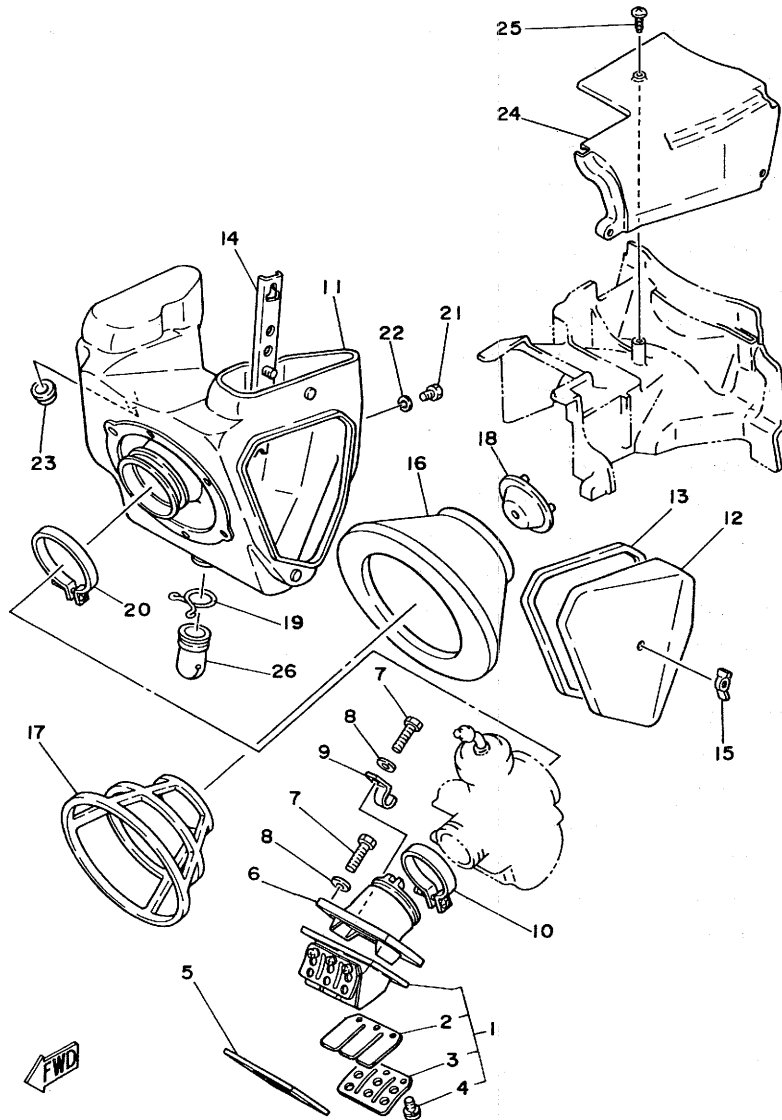


REF. NO.	PART NO.	DESCRIPTION	Q'TY	REMARKS
1	3R6-85500-20	C.D.I. MAGNETO ASSY	1	
2	3R6-85550-20	•ROTOR ASSY	1	
3	3R5-85509-20	•BASE, magneto	1	
4	3R5-85511-20	•COIL, source	1	
5	3R5-85512-20	•COIL, source	1	
6	1W2-85513-20	•COIL, lighting 1	1	
7	3R6-85580-20	•COIL, Pulser	1	
8	1W2-85516-20	•SPACER	2	
9	3R6-85515-20	•LEAD WIRE ASSY	1	
10	104-81328-20	•CLAMP	1	(Not for sale)
11	98501-04035	•SCREW, Pan head	2	
12	92901-04100	•WASHER, sPring	2	
13	98501-04030	•SCREW, Pan head	2	
14	92901-04100	•WASHER, sPring	2	
15	98501-04014	•SCREW, Pan head	1	
16	92901-04100	•WASHER, sPring	1	
17	110-81345-21	•SCREW, Pan head	1	
18	92501-06015	SCREW, Pan head	2	
19	92901-06600	WASHER, Plate	2	
20	90170-12067	NUT	1	
21	92901-12100	WASHER, sPring	1	
22	90201-12593	WASHER, Plate	1	
23	2W6-85540-20	C.D.I. UNIT ASSY	1	
24	288-21376-00	BAND, tool	1	
25	2K7-85547-00	DAMPER	1	



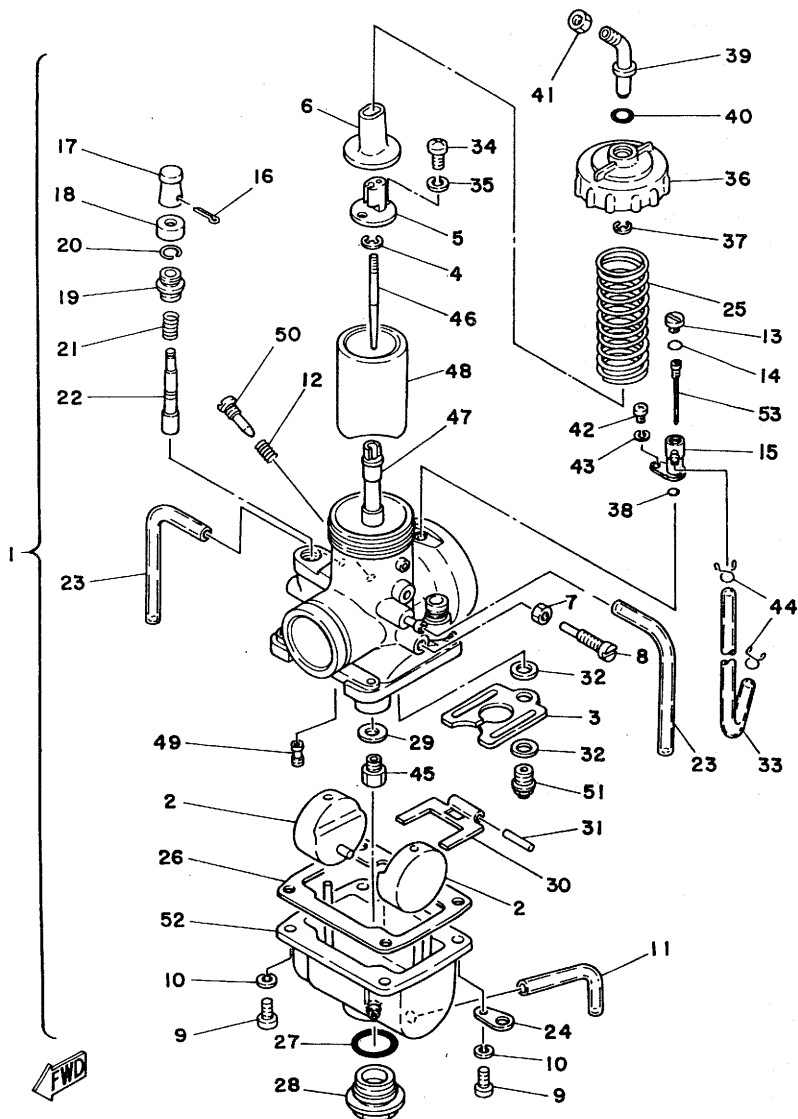
B4

FIG. 4 INTAKE



REF. NO.	PART NO.	DESCRIPTION	Q'TY	REMARKS
1	3R6-13610-00	REED VALVE ASSY	1	
2	3R3-13613-00	•REED, valve	2	
3	3R6-13616-00	•STOPPER, reed valve	2	
4	97602-03108	•SCREW, Pan head with washer	6	
5	3R3-13621-00	GASKET, valve seat	1	
6	3R3-13565-00	JOINT, carburetor	1	
7	97301-06025	BOLT	4	
8	92901-06600	WASHER, Plate	4	
9	90462-05005	CLAMP	1	
10	90460-49058	CLAMP, hose	1	
11	3R6-14401-01	AIR CLEANER CASE ASSY	1	
12	3R3-14412-01	CAP, cleaner case 1	1	
13	3R3-14452-00	SEAL	1	
14	3R3-14494-00	STAY 2	1	
15	90175-06012	NUT, wing	1	
16	3R3-W1442-01	ELEMENT, air cleaner	1	
17	3R3-14458-00	GUIDE	1	
18	3R3-14468-00	PLATE, element fitting	1	
19	90467-20030	CLIP	1	
20	90460-64065	CLAMP, hose	1	
21	97301-06012	BOLT	2	
22	92901-06100	WASHER, sPrinG	2	
23	90480-13197	GROMMET	1	
24	3R6-14437-00	DUCT	1	
25	97702-50116	SCREW, tapping	3	
+ 26	3R6-14457-00	SEAL	1	

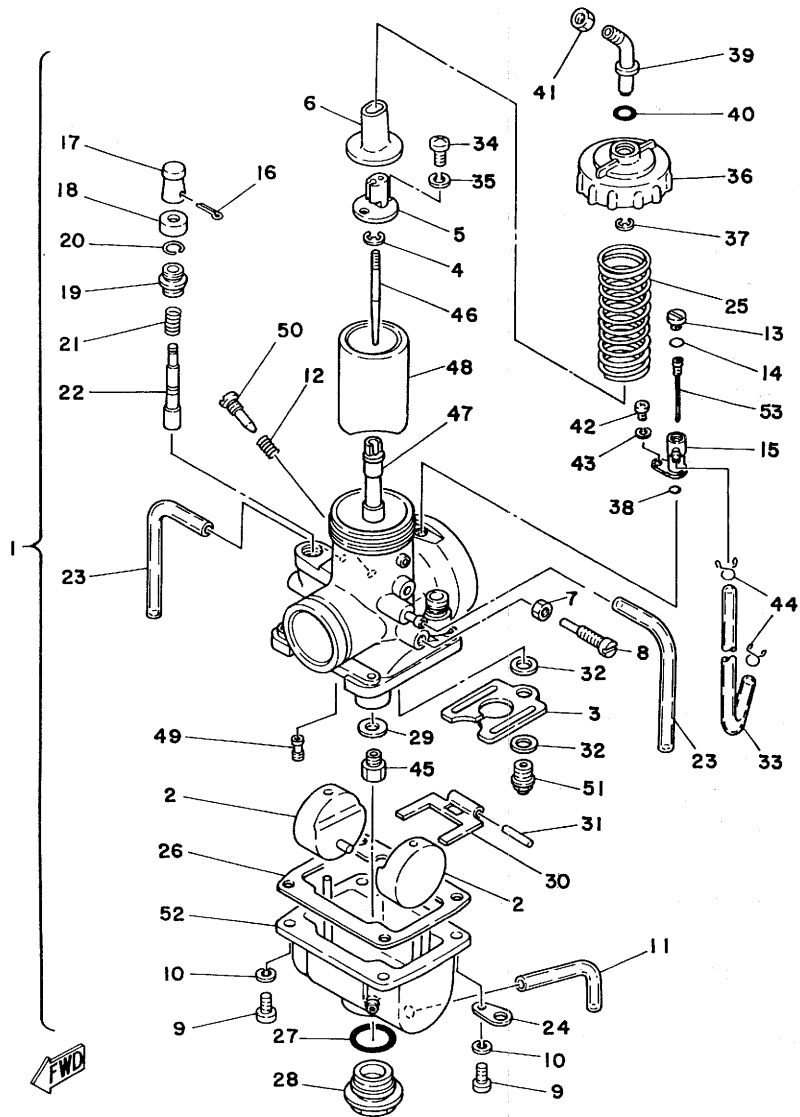
FIG. 5 CARBURETOR



REF. NO.	PART NO.	DESCRIPTION	Q'TY	REMARKS
1	3R6-14101-00	CARBURETOR ASSY 1	1	
2	310-14185-00	•FLOAT	1	
3	483-14146-00	•PLATE	1	
4	164-14137-00	•CLIP	1	
5	509-14274-00	•CONNECTOR	1	
6	509-14136-00	•SEAT, sPring	1	
7	802-14161-00	•NUT, cable adjusting	1	
8	204-14122-00	•SCREW, throttle	1	
9	98501-05015	•SCREW, Pan head	4	
10	92902-05100	•WASHER, sPring	4	
11	493-14196-00	•PIPE	1	
12	127-14134-00	•SPRING, air adjusting	1	
13	3G2-14115-00	•PLUG, screw	1	
14	822-14147-00	•O-RING	1	
15	1X2-14244-00	•HOLDER, nozzle	1	
16	91402-16015	•PIN, cotter	1	
17	737-14261-00	•HOLDER	1	
18	637-14173-00	•COVER, PlunGer cap	1	
19	152-14174-00	•CAP, PlunGer	1	
20	353-14138-00	•CLIP, PlunGer	1	
21	132-14135-00	•SPRING, PlunGer	1	
22	737-14171-01	•PLUNGER, starter	1	
23	310-14197-00	•PIPE	2	
24	313-14146-00	•PLATE	2	
25	363-14131-00	•SPRING, throttle valve	1	
26	483-14184-00	•GASKET, float chamber	1	
27	2K6-14147-00	•O-RING	1	
28	2K6-14115-00	•PLUG, screw	1	

B6

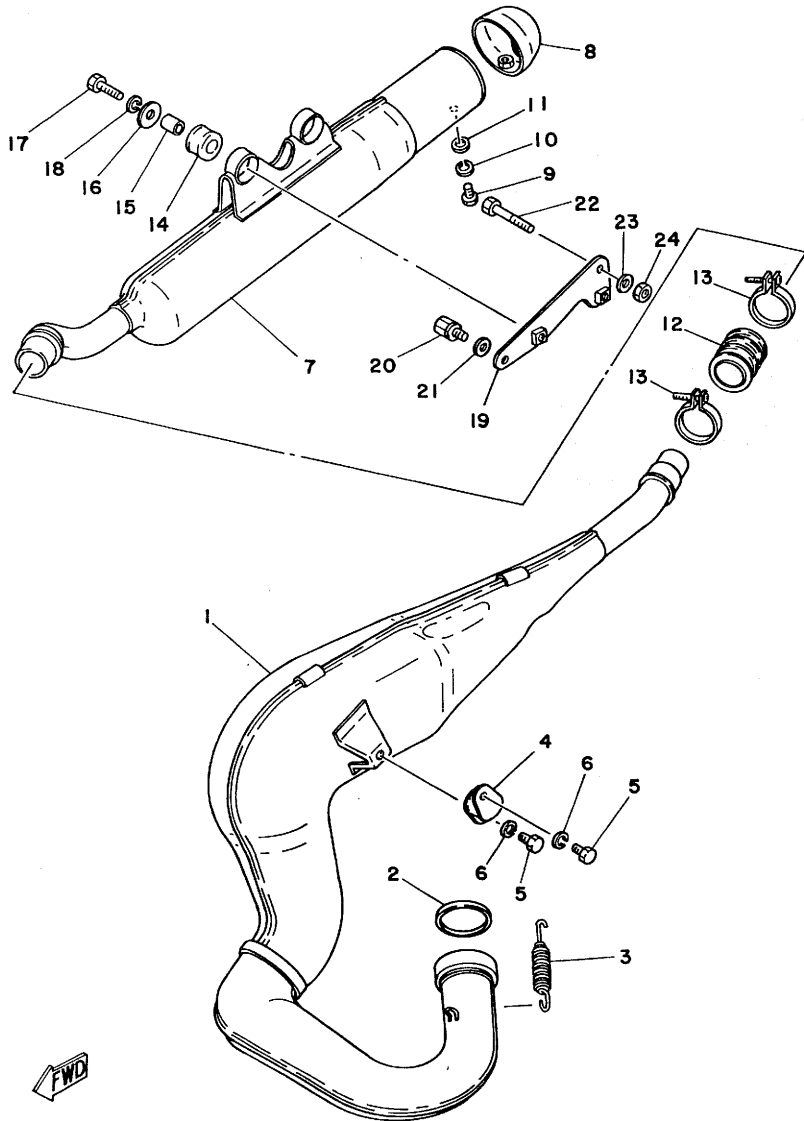
FIG. 5 CARBURETOR



REF. NO.	PART NO.	DESCRIPTION	Q'TY	REMARKS
29	537-14153-00	•WASHER, main Jet	1	
30	310-14187-00	•ARM, float	1	
31	537-14186-00	•PIN, float	1	
32	239-14195-00	•WASHER, needle valve	2	
33	3V3-14987-00	•HOSE	1	
34	98503-03006	•SCREW, Pan head	2	
35	92901-03100	•WASHER, sPring	2	
36	3R3-14158-00	•TOP, mixing chamber	1	
37	363-14137-00	•CLIP	1	
38	214-14147-00	•O-RING	1	
39	3R3-14155-00	•GUIDE, cable	1	
40	8F2-14147-00	•O-RING	1	
41	127-14161-00	•NUT, cable adjusting	1	
42	98502-04008	•SCREW, Pan head	1	
43	92902-04100	•WASHER, sPring	1	
44	8A7-14139-00	•CLIP, PiPe	2	
45	137-14143-42	•JET, main (#210)	1	UR STD
	137-14143-40	•JET, main (#200)	1	UR
	137-14143-44	•JET, main (#220)	1	UR
46	239-14116-21	•NEEDLE	1	
47	239-14141-48	•NOZZLE, main	1	
48	3R6-14112-20	•VALVE, throttle 1	1	
49	193-14142-60	•JET, Pilot (#60.0)	1	
50	152-14123-00	•SCREW, air adjusting	1	
51	239-14190-33	•NEEDLE VALVE ASSY	1	
52	3R6-14181-16	•BODY, float chamber 1	1	
53	256-14944-67	•JET, main (#082.5)	1	

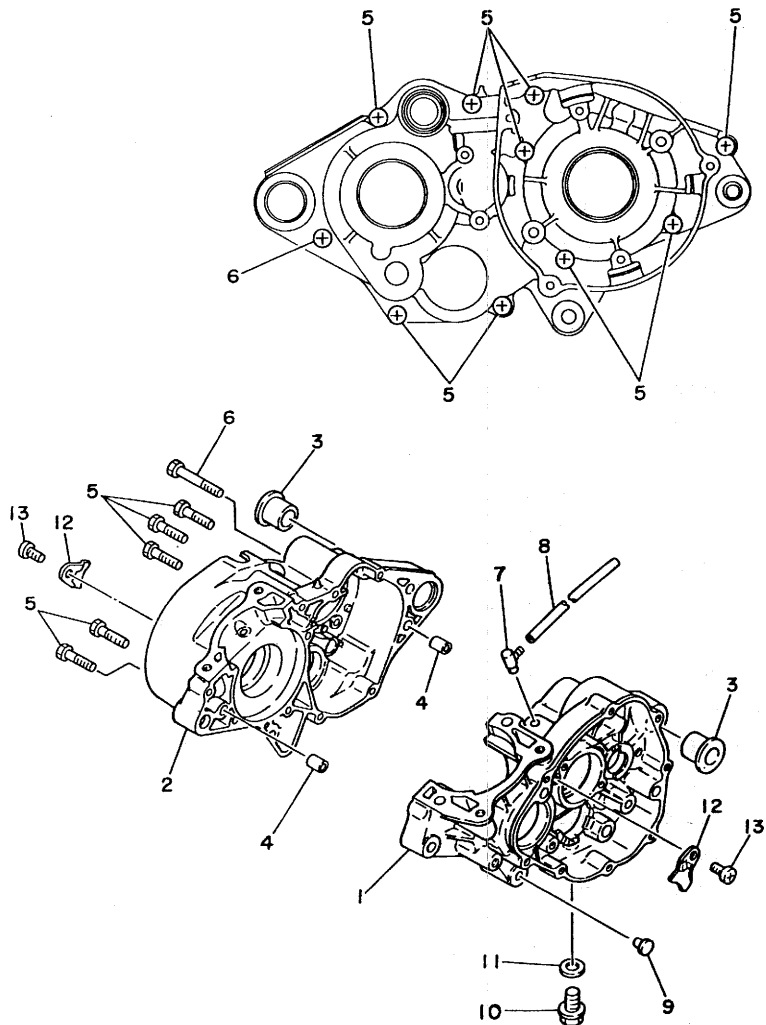
B7

FIG. 6 EXHAUST



REF. NO.	PART NO.	DESCRIPTION	Q'TY	REMARKS
1	3R6-14610-00	EXHAUST PIPE ASSY 1	1	
2	3R6-14613-01	GASKET, exhaust Pipe	1	
3	90507-20030	SPRING, tension	2	
4	565-14771-00	STAY, muffler 1	1	
5	97301-06012	BOLT	2	
6	92901-06100	WASHER, sPring	2	
7	3R6-14753-00	SILENCER, exhaust	1	
8	1W2-14787-00	CAP, silencer	1	
9	97301-06012	BOLT	1	
10	92901-06100	WASHER, sPring	1	
11	92901-06600	WASHER, Plate	1	
12	1W2-14714-00	GASKET, muffler	1	
13	90460-37026	CLAMP, hose	2	
14	90480-22269	GROMMET	2	
15	90387-081A3	COLLAR	2	
16	156-24186-00	WASHER, sPecial	2	
17	97301-08030	BOLT	2	
18	92901-08100	WASHER, sPring	2	
19	3R6-14781-00	STAY, muffler 2	1	
20	90109-08573	BOLT	1	
21	92901-08200	WASHER, Plain	1	
22	97301-06045	BOLT	1	
23	90201-06067	WASHER, Plate	1	
24	95601-06100	NUT, u	1	

FIG. 7 CRANKCASE



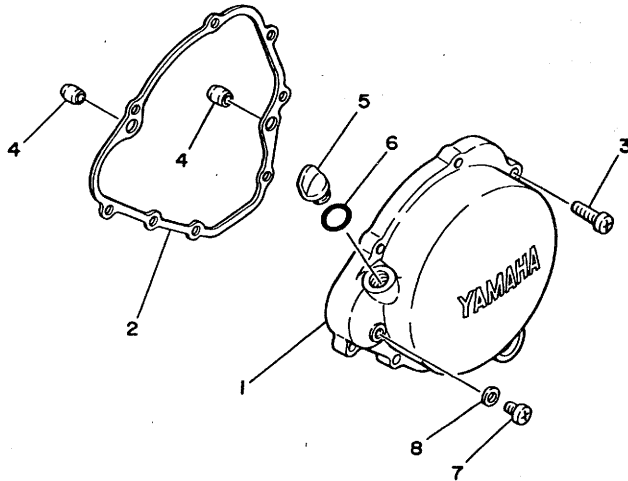
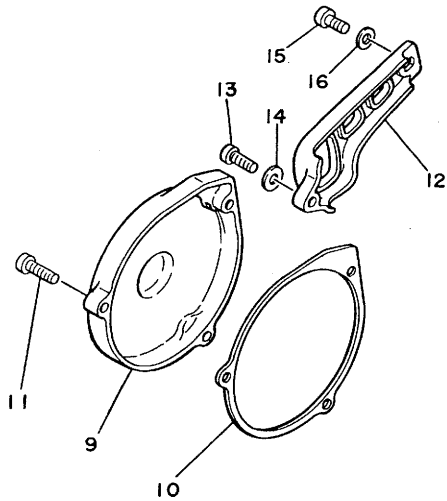
REF. NO.	PART NO.	DESCRIPTION	Q'TY	REMARKS
1	3R3-15111-02	CRANKCASE 1	1	
2	3R3-15121-02	CRANKCASE 2	1	
3	90387-16781	COLLAR	2	
4	91830-21014	PIN, dowel	2	
5	91316-06035	BOLT	9	
6	91316-06050	BOLT	1	
7	2N4-15371-00	BREATHER	1	
8	90445-07340	HOSE	1	
9	90338-07011	PLUG	1	
10	90340-12059	PLUG, straight screw	1	
11	90430-12038	GASKET	1	
12	3R3-15128-01	HOLDER	2	
13	92501-08010	SCREW, Pan head	2	

FWD

B9

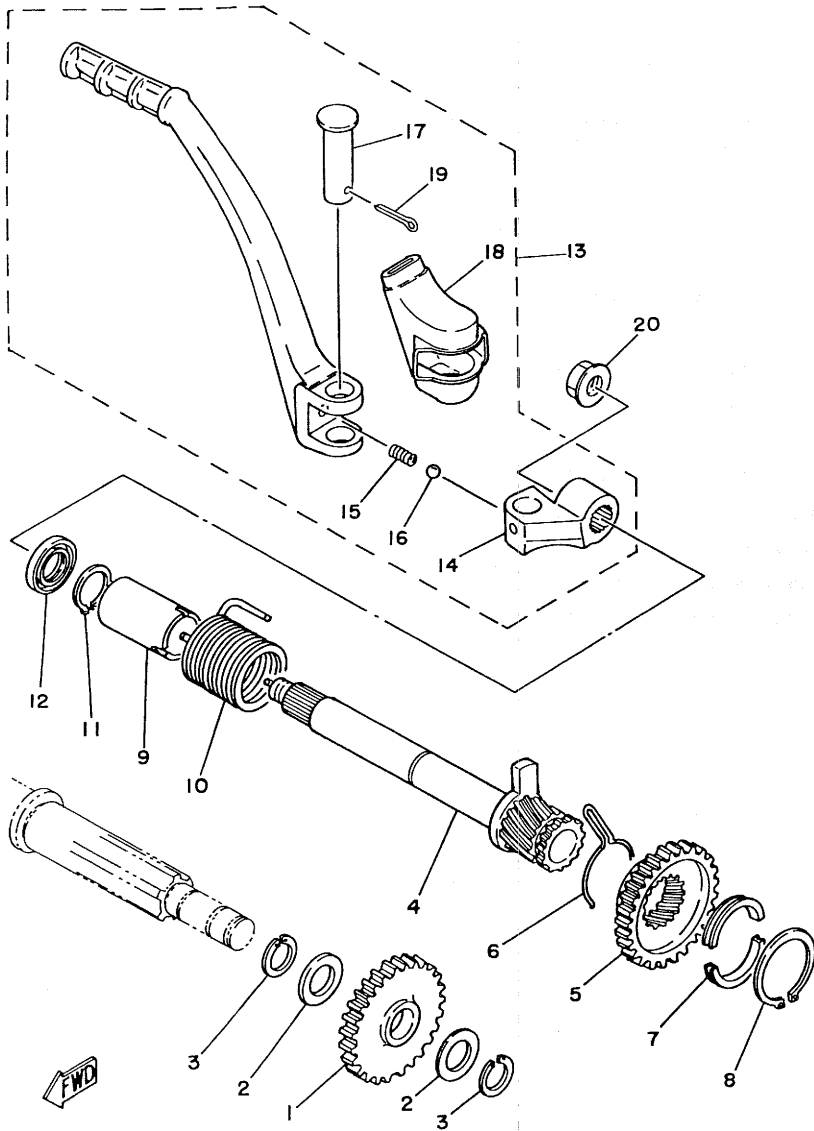
FIG. 8 CRANKCASE COVER

REF. NO.	PART NO.	DESCRIPTION	Q'TY	REMARKS
1	3R3-15411-00	COVER, crankcase 1	1	
2	3R3-15451-01	GASKET, crankcase cover	1	
3	92506-06025	SCREW, Pan head	8	
4	91830-21014	PIN, dowel	2	
5	1G8-15362-00	PLUG, oil level	1	
6	93210-14104	O-RING	1	
7	92506-06008	SCREW, Pan head	1	
8	90430-06016	GASKET	1	
9	3R6-15421-00	COVER, crankcase 2	1	
10	3R6-15455-00	GASKET 1	1	
11	92506-06025	SCREW, Pan head	3	
12	3R3-15431-00	COVER, crankcase 3	1	
13	92501-06015	SCREW, Pan head	1	
14	90201-06067	WASHER, Plate	1	
15	92501-06020	SCREW, Pan head	1	
16	92901-06200	WASHER, Plain	1	



FWD

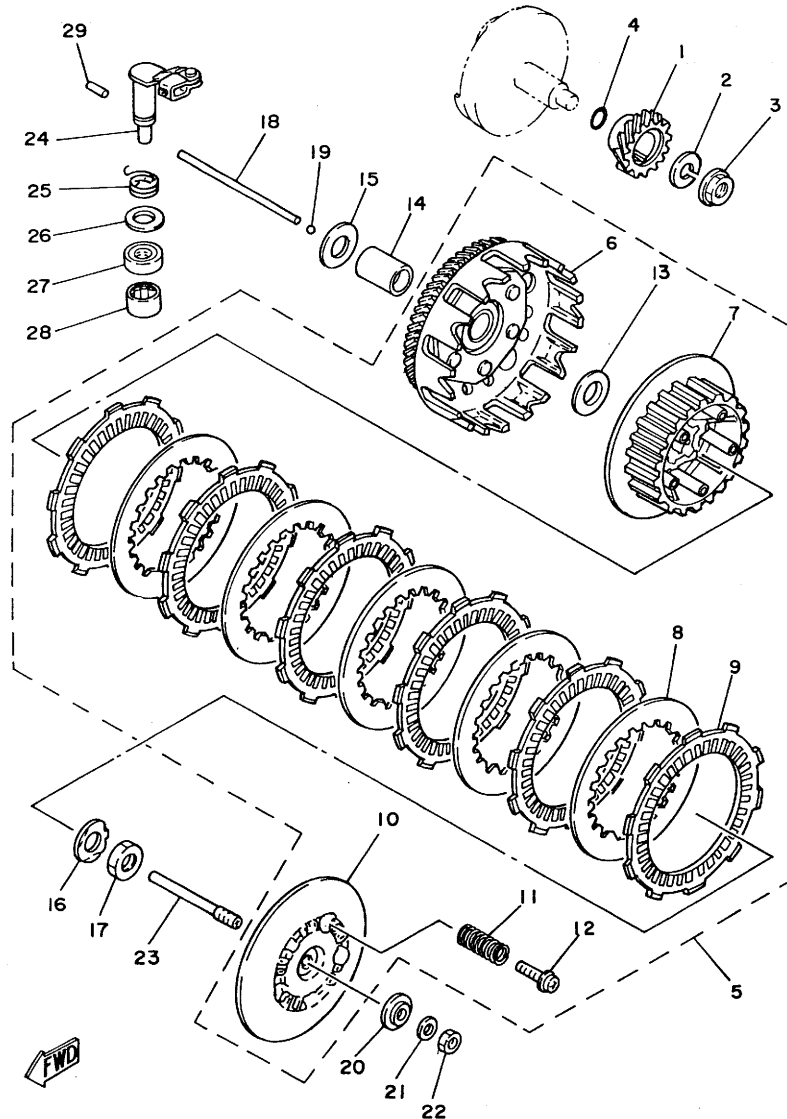
FIG. 9 KICK STARTER



REF. NO.	PART NO.	DESCRIPTION	Q'TY	REMARKS
1	3R3-15651-01	GEAR, sProcket idle (25T)	1	
2	137-17417-00-05	SHIM (0.5T)	2	
3	93440-15012	CIRCLIP	2	
4	3R3-15660-00	KICK AXLE ASSY	1	
5	3R3-15641-00	GEAR, kick (25T)	1	
6	90468-26048	CLIP	1	
7	248-15654-00	HOLDER, kick gear	2	
8	93410-30012	CIRCLIP	1	
9	3R3-15666-00	SPACER	1	
10	90508-26427	SPRING, torsion	1	
11	93410-17037	CIRCLIP	1	
12	93101-17062	OIL SEAL	1	
13	3R3-15620-00	KICK CRANK ASSY	1	
14	3R3-15621-00	•BOSS, kick crank	1	
15	90501-12081	•SPRING, compression	1	
16	93507-32009	•BALL	1	
17	91702-12040	•PIN, clevis	1	
18	3R3-15618-01	•COVER, kick lever	1	
19	91401-40020	•PIN, cotter	1	
20	90179-10272	NUT	1	

B11

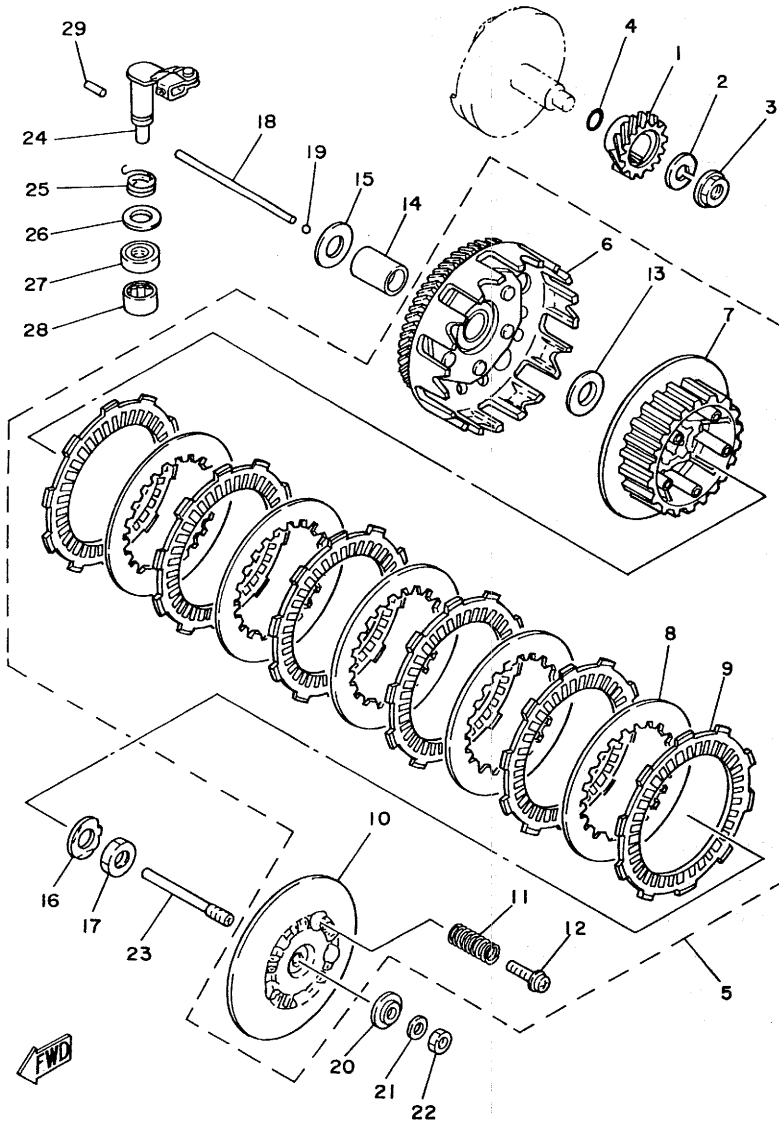
FIG. 10 CLUTCH



REF. NO.	PART NO.	DESCRIPTION	Q'TY	REMARKS
1	3R6-16111-00	GEAR, Primary drive (17T)	1	
2	90204-12007	WASHER, sPrin&	1	
3	90179-12302	NUT	1	
4	93210-20027	O-RING	1	
5	3R6-16300-00	CLUTCH ASSY	1	
6	3R6-16150-00	•PRIMARY DRIVEN GEAR COMP.(52T	1	
7	1G8-16371-00	•BOSS, clutch	1	
8	137-16325-70	•PLATE, clutch 2	5	
9	537-16321-00	•PLATE, friction	6	
10	1W1-16351-00	•PLATE, Pressure 1	1	
11	90501-20361	•SPRING, compression	5	
12	90159-05011	•SCREW, with washer	5	
13	90201-17550	•WASHER, Plate	1	
14	90560-17190	SPACER	1	
15	90201-17550	WASHER, Plate	1	
16	90215-14144	WASHER, lock	1	
17	90170-14171	NUT	1	
18	2X3-16357-00	ROD, Push 2	1	
19	93503-16010	BALL	1	
20	1W1-16358-00	PLATE, Push	1	
21	92901-06200	WASHER, Plain	1	
22	95301-06600	NUT	1	
23	1W1-16356-00	ROD, Push 1	1	
24	3R3-16380-01	PUSH LEVER ASSY	1	
25	90508-14426	SPRING, torsion	1	
26	90201-14217	WASHER, Plate	1	
27	93104-14004	OIL SEAL	1	
28	93315-21429	BEARING, cylindrical	1	

B12

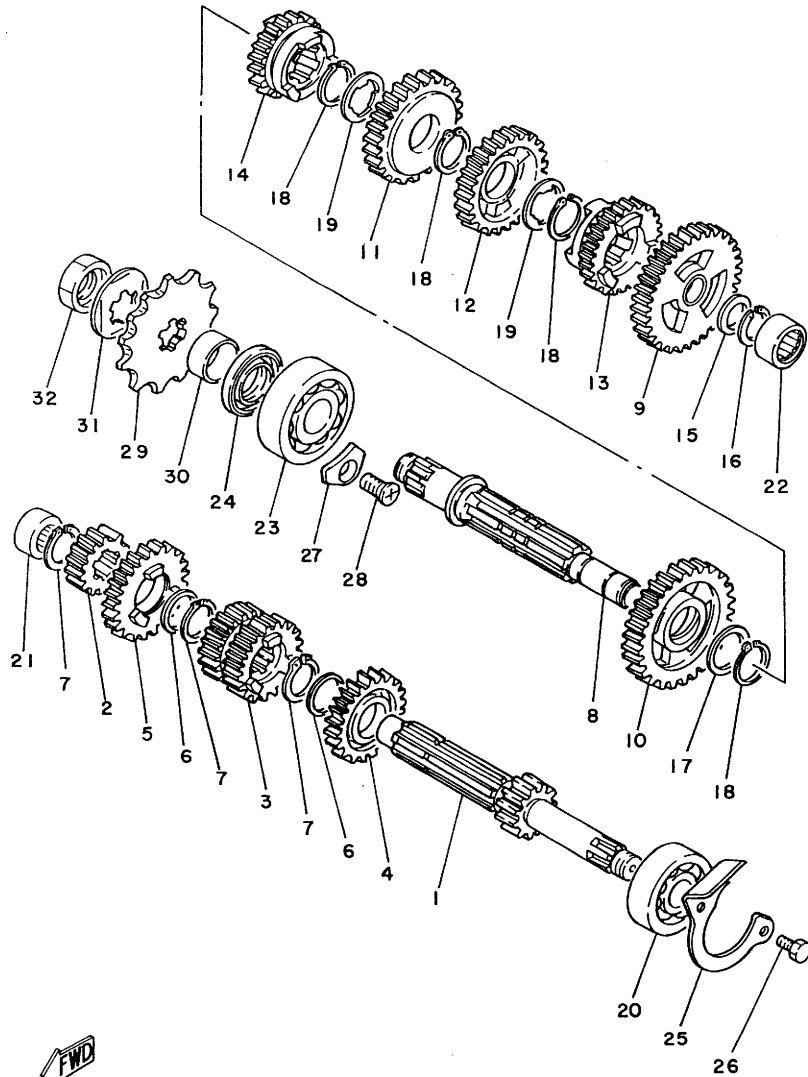
FIG. 10 CLUTCH



REF. NO.	PART NO.	DESCRIPTION	Q'TY	REMARKS
29	93604-16092	PIN, dowel	1	

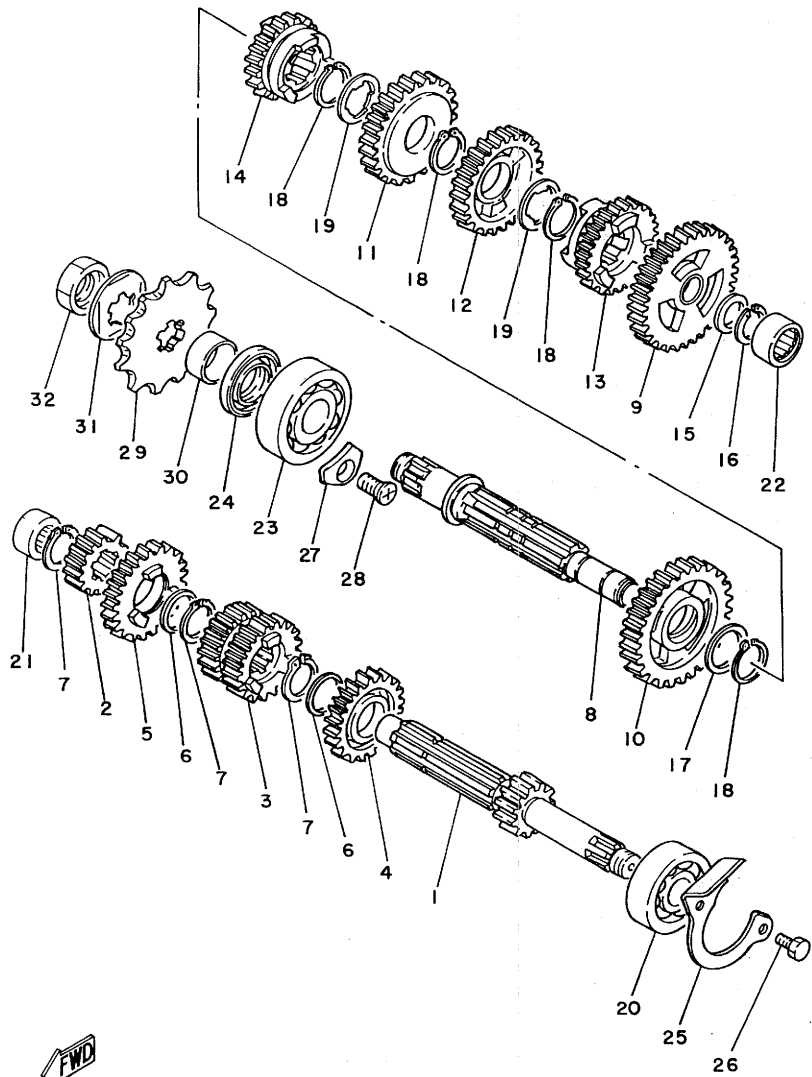
B13

FIG. 11 TRANSMISSION



REF. NO.	PART NO.	DESCRIPTION	Q'TY	REMARKS
1	3R6-17411-00	AXLE, main (11T)	1	
2	3R6-17121-00	GEAR, 2nd Pinion (13T)	1	
3	3R6-17131-00	GEAR, 3rd/4th Pinion (16T,21T)	1	
4	3R6-17151-00	GEAR, 5th Pinion (20T)	1	
5	3R6-17161-00	GEAR, 6th Pinion (22T)	1	
6	90201-20266	WASHER, Plate	2	
7	93410-20038	CIRCLIP	3	
8	3R3-17421-00	AXLE, drive	1	
9	3R6-17211-00	GEAR, 1st wheel (34T)	1	
10	3R6-17221-00	GEAR, 2nd wheel (27T)	1	
11	3R3-17231-00	GEAR, 3rd wheel (24T)	1	
12	3R6-17241-00	GEAR, 4th wheel (25T)	1	
13	3R6-17251-00	GEAR, 5th wheel (20T)	1	
14	3R6-17261-00	GEAR, 6th wheel (18T)	1	
15	90201-15701	WASHER, Plate (1.0T)	1	
16	93440-15012	CIRCLIP	1	
17	90201-22555	WASHER, Plate	1	
18	93410-22039	CIRCLIP	4	
19	90209-18135	WASHER	2	
20	93306-30303	BEARING (B6303Z)	1	
21	93311-41530	BEARING, cylindrical	1	
22	93311-31515	BEARING, cylindrical	1	
23	93306-30411	BEARING (B6304)	1	
24	93102-26042	OIL SEAL	1	
25	3R3-17471-00	PLATE, cover	1	
26	97321-06012	BOLT	2	
27	2K7-15383-00	PLATE, bearing cover	1	
28	92701-06012	SCREW, flat head	1	

FIG. 11 TRANSMISSION



REF. NO.	PART NO.	DESCRIPTION	Q'TY	REMARKS
29	1W1-17461-20	SPROCKET, drive (12T)	1	UR STD
	1G8-17461-10	SPROCKET, drive (11T)	1	UR
	1G8-17461-30	SPROCKET, drive (13T)	1	UR
30	90387-202A0	COLLAR	1	
31	90215-16127	WASHER, lock	1	
32	90179-16226	NUT	1	

B15

FIG. 12 SHIFT CAM·FORK

REF. NO.	PART NO.	DESCRIPTION	Q'TY	REMARKS
1	3R3-18540-01	SHIFT CAM ASSY	1	
2	3R4-18185-00	•SEGMENT	1	
3	3R4-18561-00	•PLATE, side 1	1	
4	93306-00421	•BEARING	1	
5	90282-04036	•KEY, straight	1	
6	98701-05016	•SCREW, flat head	1	
7	3R3-18140-00	STOPPER LEVER ASSY	1	
8	90508-26435	SPRING, torsion	1	
9	1W1-18177-00	BOLT, stopPer	1	
10	3R3-18511-00	FORK, shift 1	1	
11	3R3-18512-00	FORK, shift 2	1	
12	3R3-18513-00	FORK, shift 3	1	
13	90250-06013	PIN, straight	3	
14	3R4-18531-00	BAR, shift fork guide 1	1	
15	3R4-18535-00	BAR, shift fork guide 2	1	

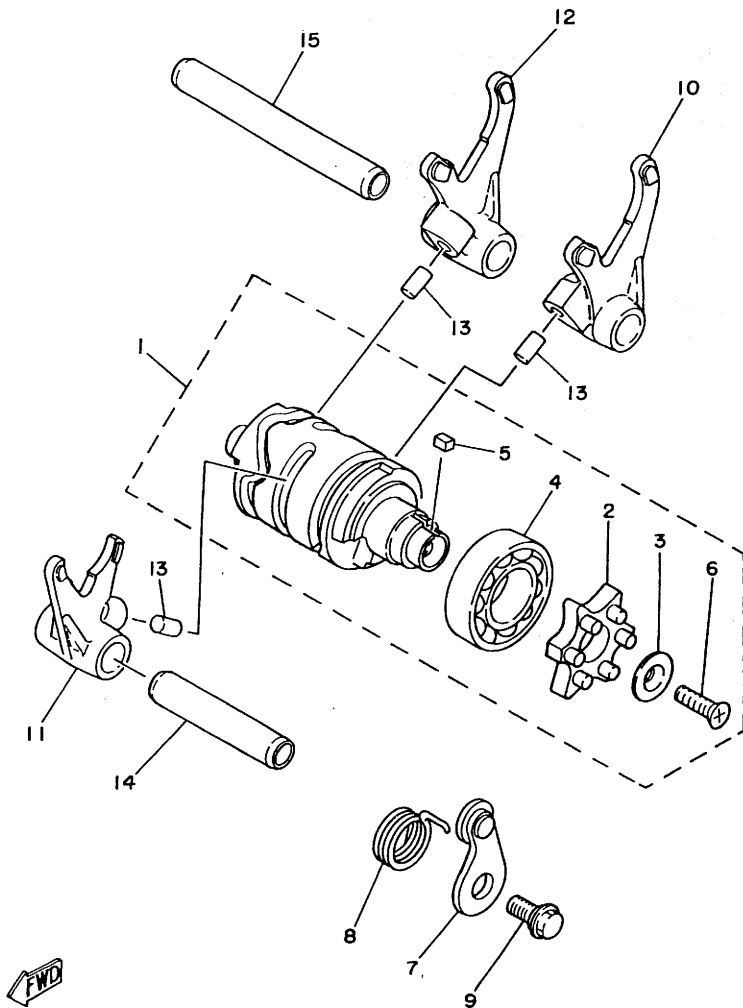
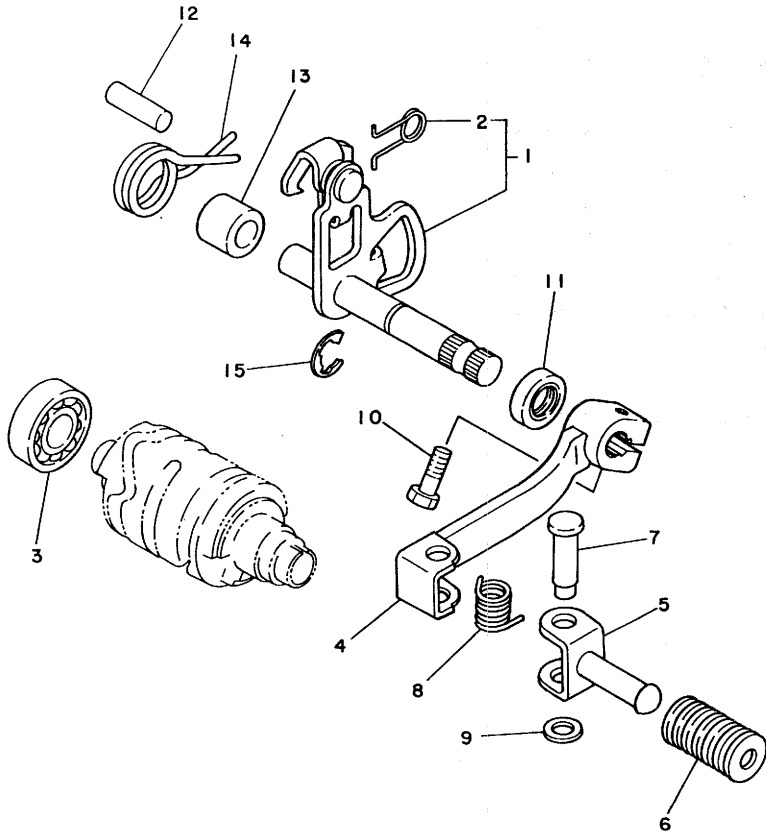


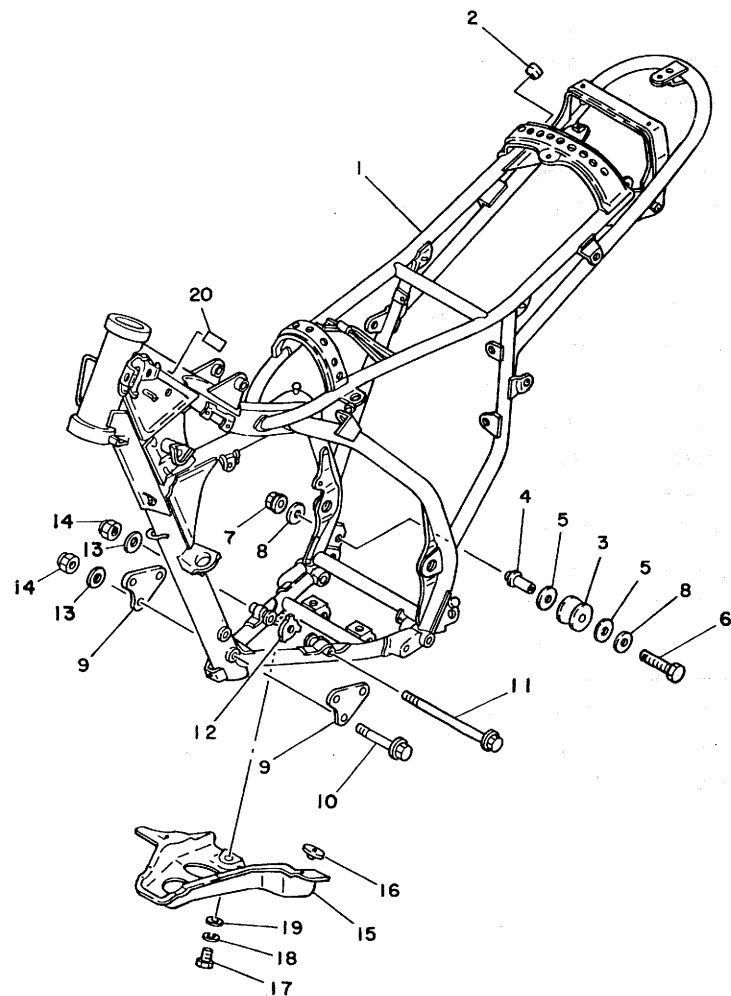
FIG. 13 SHIFT SHAFT.PEDAL

REF. NO.	PART NO.	DESCRIPTION	Q'TY	REMARKS
1	3R3-18101-01	SHIFT SHAFT ASSY	1	
2	90508-09420	.SPRING, torsion	1	
3	93306-20107	BEARING (B6201)	1	
4	3R6-18111-00	PEDAL, shift	1	
5	3R8-18162-00	PEDAL, shift	1	
6	1W6-18113-00	COVER, shift Pedal	1	
7	90243-08017	PIN	1	
8	90508-20415	SPRING, torsion	1	
9	90201-06042	WASHER, Plate	1	
10	97321-06025	BOLT	1	
11	93101-12060	OIL SEAL	1	
12	93608-25150	PIN, dowel	1	
13	90560-11189	SPACER	1	
14	90508-32374	SPRING, torsion	1	
15	93430-10016	CIRCLIP	1	



C3

FIG. 14 FRAME

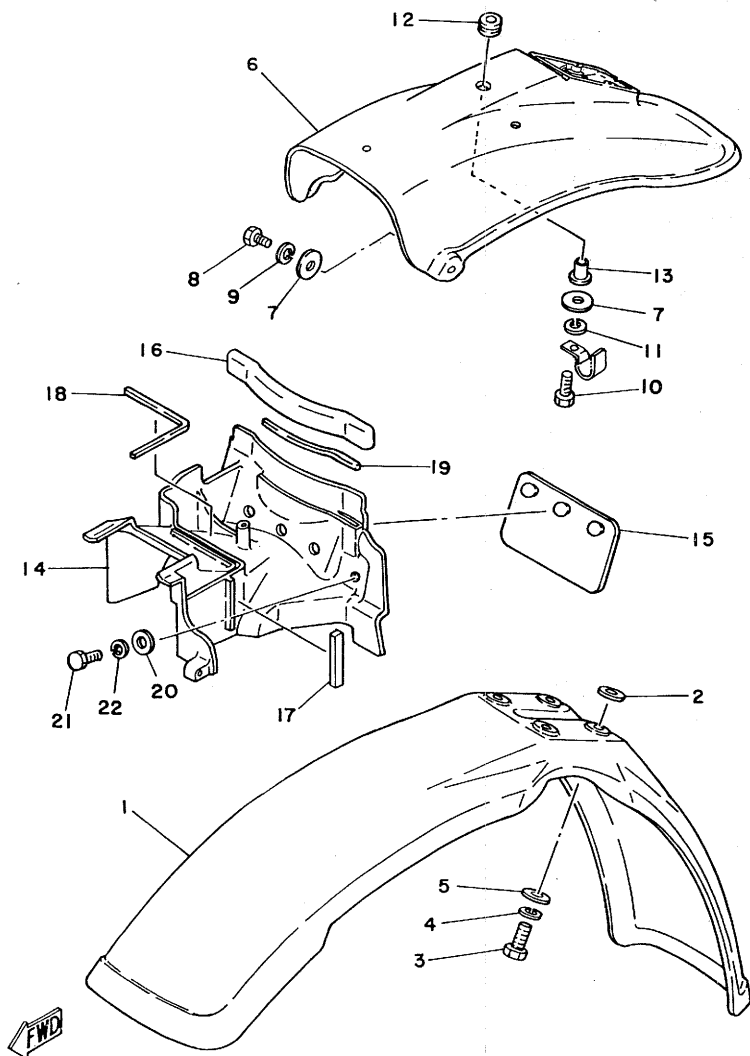


REF. NO.	PART NO.	DESCRIPTION	Q'TY	REMARKS
1	3R6-21110-02-33	FRAME COMP	1	yamaha black
2	90339-13005	PLUG	2	
3	2K6-22178-00	TENSIONER	1	
4	3R3-2148A-00	SHAFT	1	
5	90201-13202	WASHER, Plate	2	
6	97302-08050	BOLT	1	
7	95702-08300	NUT, nylon	1	
8	92902-08200	WASHER	2	
9	3R3-21415-00	BRACKET, front upper 1	2	
10	95812-08075	BOLT, flange	3	
11	95812-08160	BOLT, flange	1	
12	90214-09019	WASHER, claw	1	
13	92902-08200	WASHER	4	
14	90185-08054	NUT, self-locking	4	
15	3R6-21471-00	PROTECTOR, engine	1	
16	2J5-21732-00	SEAL 1	2	
17	97301-08014	BOLT	3	
18	92901-08100	WASHER, spring	3	
19	92901-08600	WASHER, Plate	3	
20	3R4-2139W-00	COVER	1	



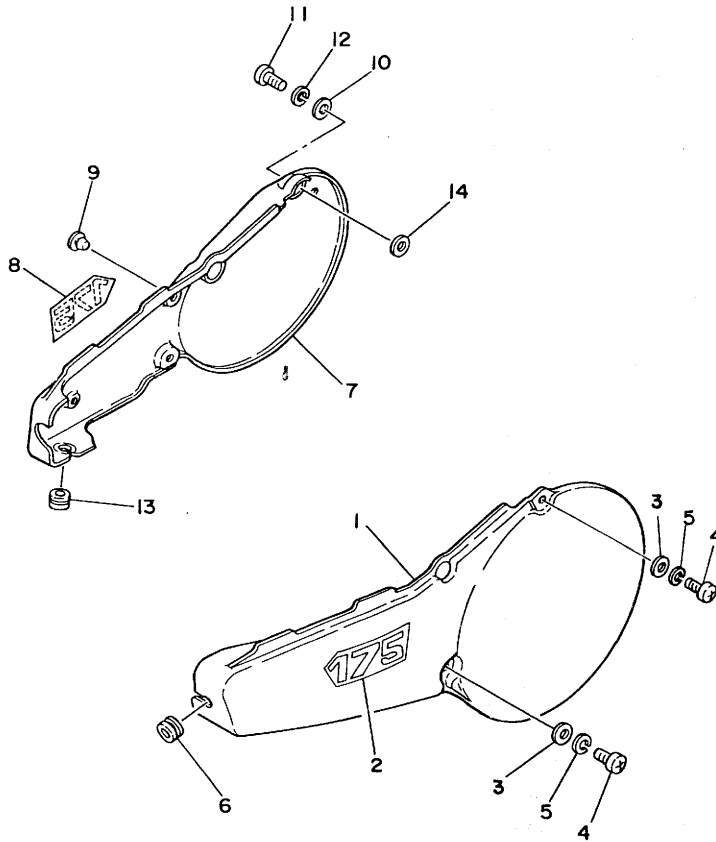
C4

FIG. 15 FRONT FENDER•REAR FENDER



REF. NO.	PART NO.	DESCRIPTION	Q'TY	REMARKS
1	3R8-21511-11	FENDER, front	1	sky blue
2	90201-06067	WASHER, Plate	4	
3	97302-06020	BOLT	4	
4	92902-06100	WASHER, sPring	4	
5	90209-06187	WASHER	4	
6	3R6-21610-10	REAR FENDER COMP.	1	sky blue
7	90201-06067	WASHER, Plate	4	
8	97301-06014	BOLT	2	
9	92901-06100	WASHER, sPring	2	
10	97301-06025	BOLT	1	
11	92901-06100	WASHER, sPring	1	
12	90480-14198	GROMMET	1	
13	90387-06388	COLLAR	1	
14	3R6-21629-00	GUARD, mud	1	
15	1M1-21621-00	FLAP	1	
16	565-21746-00	SEAL, mud Guard	1	
17	3R6-21638-00	DAMPER 1	1	
18	3R6-21639-00	DAMPER 2	1	
19	3R6-21669-00	SEAL	1	
20	90201-06067	WASHER, Plate	2	
21	97301-06014	BOLT	2	
22	92901-06100	WASHER, sPring	2	

FIG. 16 SIDE COVER

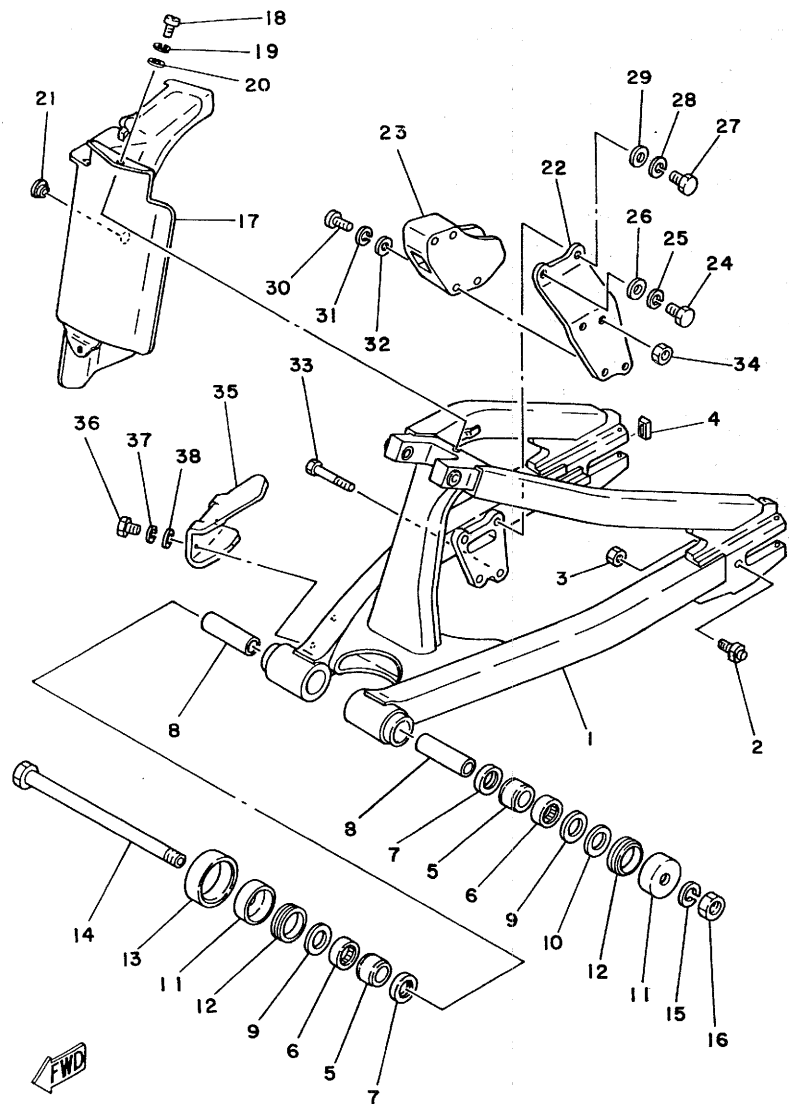


REF. NO.	PART NO.	DESCRIPTION	Q'TY	REMARKS
1	3R6-21711-00-26	COVER, side (L.H)	1	comPetition yellow /sky blue
2	3R6-21737-10	EMBLEM	1	
3	90201-06067	WASHER, Plate	2	
4	92501-06014	SCREW, Pan head	2	
5	92901-06100	WASHER, sPring	2	
6	90480-12053	GROMMET	1	
7	3R6-21721-00-26	COVER, side (R.H)	1	comPetition yellow /sky blue
8	3R6-21737-10	EMBLEM	1	
9	431-24181-00	DAMPER, locating	3	
10	90201-06067	WASHER, Plate	2	
11	92501-06015	SCREW, Pan head	2	
12	92901-06100	WASHER, sPring	2	
13	90480-12053	GROMMET	1	
14	92901-08200	WASHER, Plain	1	

FWD

C6

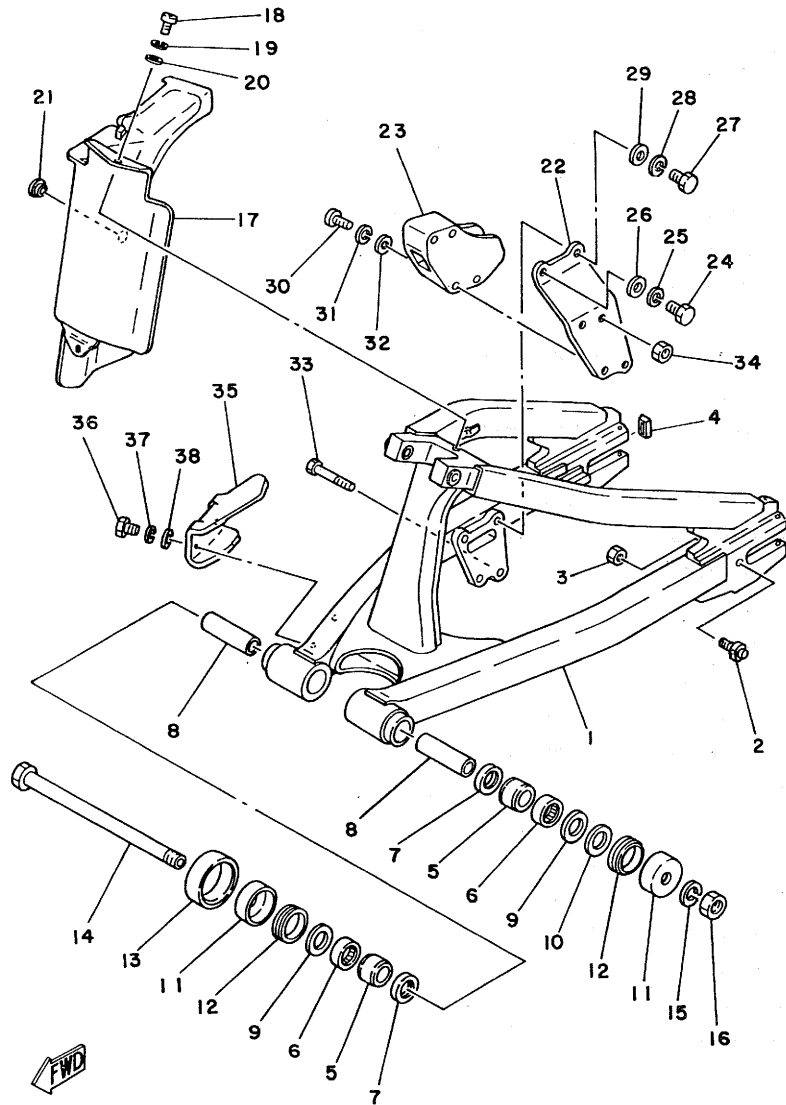
FIG. 17 REAR ARM



REF. NO.	PART NO.	DESCRIPTION	Q'TY	REMARKS
1	3R6-22110-00-35	REAR ARM CMP.	1	silver
2	90109-08569	BOLT	2	
3	90179-08278	NUT	2	
4	90338-22103	PLUG	2	
5	90386-22097	BUSH	2	
6	93317-22214	BEARING, cylindrical	2	
7	93109-22018	OIL SEAL	2	
8	90380-16077	BUSH, solid	2	
9	90201-22680	WASHER, Plate	2	
10	156-22127-00	SHIM (0.3T)	1	UN
11	2K6-22128-01	COVER, thrust 1	2	
12	93108-35004	OIL SEAL	2	
13	431-22151-03	SEAL, Guard	1	
14	1W4-22141-00	SHAFT, Pivot	1	
15	92901-16100	WASHER, sPring	1	
16	90170-16111	NUT	1	
17	3R6-22311-00	CASE, chain	1	black
18	92501-06012	SCREW, Pan head	2	
19	92901-06100	WASHER, sPring	2	
20	92901-06200	WASHER, Plain	2	
21	90560-08066	SPACER	1	
22	3R3-22179-00	ARM, tensioner	1	
23	3R3-22199-00	SUPPORT, chain	1	
24	97301-08020	BOLT	1	
25	92901-08100	WASHER, sPring	1	
26	92901-08200	WASHER, Plain	1	
27	97301-08016	BOLT	1	
28	92901-08100	WASHER, sPring	1	

C7

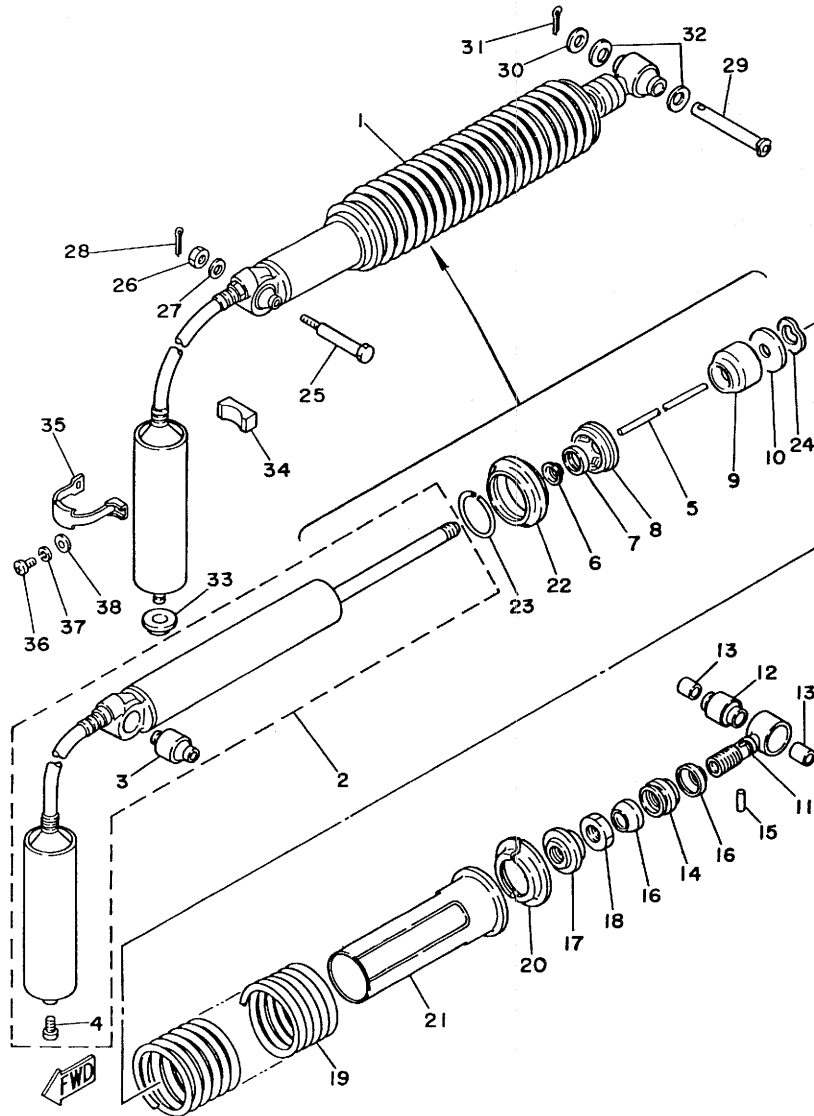
FIG. 17 REAR ARM



REF. NO.	PART NO.	DESCRIPTION	Q'TY	REMARKS
29	92901-08600	WASHER, Plate	1	
30	92501-06020	SCREW, Pan head	2	
31	92901-06100	WASHER, sPring	2	
32	92901-06600	WASHER, Plate	2	
33	97301-06055	BOLT	2	
34	95601-06100	NUT, u	2	
35	3R3-22147-00	PROTECTOR, chain	1	
36	97301-05012	BOLT	2	
37	92901-05100	WASHER, sPring	2	
38	92901-05200	WASHER, Plain	2	

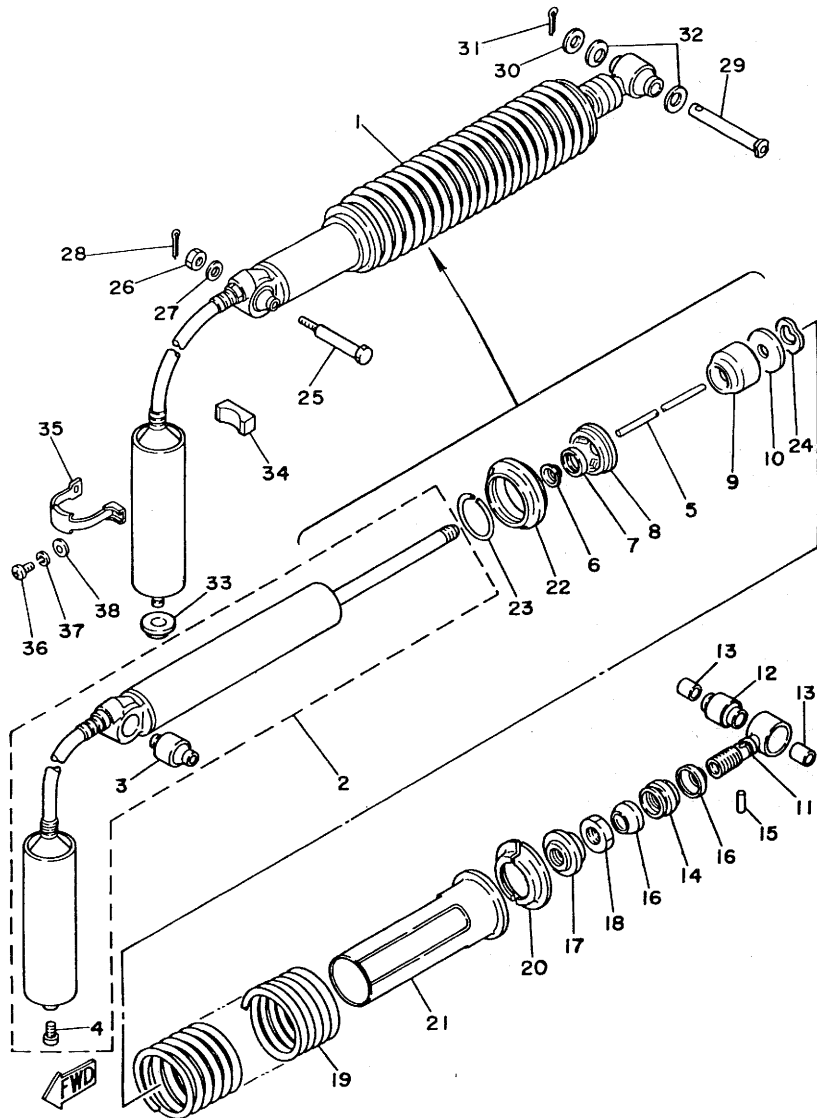
C8

FIG. 18 REAR SUSPENSION



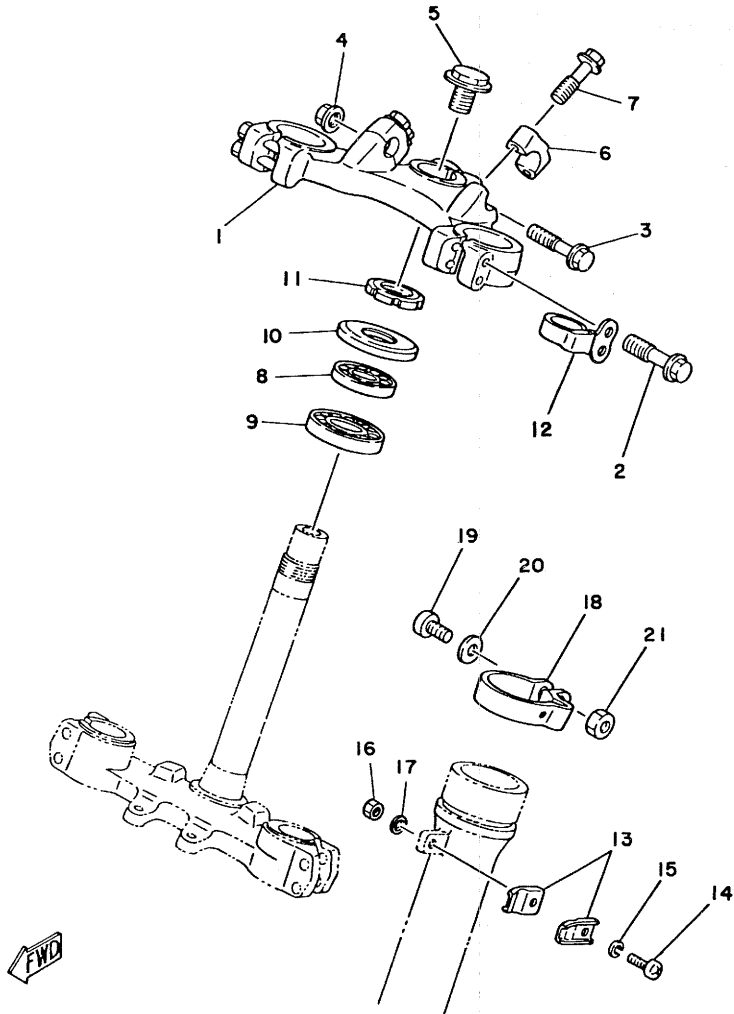
REF. NO.	PART NO.	DESCRIPTION	Q'TY	REMARKS
1	3R6-22210-10	SHOCK ABSORBER ASSY, rear	1	
2	3R6-22401-10	.DUMPER SUB ASSY	1	
3	1W1-22216-00	..BUSH, rear shock absorber	1	
4	98501-04005	..SCREW, Pan head	1	
5	4V4-22489-00	.ROD, Push	1	
6	3R4-22475-00	.SEAL, dust	1	
7	3R4-22473-00	.HOUSING, seal ring	1	
8	3R4-22472-00	.CAP, case	1	
9	1W1-22493-00	.STOPPER, bump	1	
10	3R4-22228-00	.SUPPORT, bump stop	1	
11	3R4-22409-00	.UPPER BRACKET SUB ASSY	1	
12	3R4-22226-00	.BUSH, shock absorber lower	1	
13	90380-12051	.BUSH, solid	2	
14	3R4-22497-00	.NUT, adjusting	1	
15	93604-26132	.PIN, dowel	1	
16	3R4-22221-01	.COVER	2	
17	3R4-22213-00	.SEAT, sPring upper	1	
18	90170-20213	.NUT	1	
19	3R6-22212-00	.SPRING	1	
20	3R4-22214-00	.GUIDE, sPring 1	2	
21	3R4-22224-00	.GUIDE, sPring 2	1	
22	3R4-22223-00	.SEAT, sPring lower	1	
23	93440-50078	.CIRCLIP	1	
24	90206-14067	.WASHER, wave	1	
25	90109-10550	BOLT	1	
26	95302-10700	NUT	1	
27	92902-10600	WASHER, Plate	1	
28	91401-20025	PIN, cotter	1	

FIG. 18 REAR SUSPENSION



REF. NO.	PART NO.	DESCRIPTION	Q'TY	REMARKS
29	90240-12074	PIN, clevis	1	
30	92901-12600	WASHER, Plate	1	
31	91401-30022	PIN, cotter	1	
32	1W1-22128-00	COVER, thrust 1	2	
33	90480-22263	GROMMET	1	
34	3R4-22261-00	DAMPER, sub tank	1	
35	3R3-22262-00	HOLDER, sub tank	1	
36	92502-06016	SCREW, Pan head	1	
37	92902-06100	WASHER, spring	1	
38	92902-06600	WASHER	1	

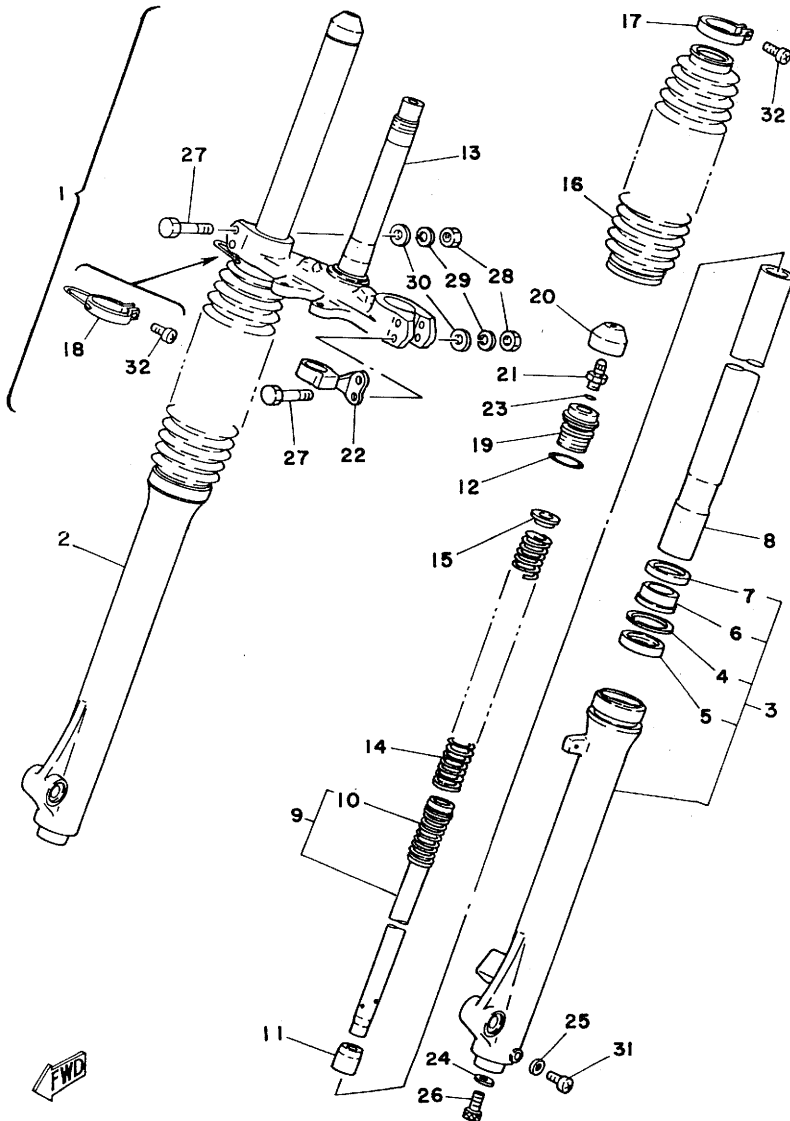
FIG. 19 STEERING



REF. NO.	PART NO.	DESCRIPTION	Q'TY	REMARKS
1	1W1-23435-01-98	CROWN, handle	1	low gloss black
2	95821-08040	BOLT, flange	4	
3	95821-08055	BOLT, flange	1	
4	95701-08100	NUT, flange	1	
5	90105-14136	BOLT, washer based	1	
6	1E6-23441-00-98	HOLDER, handle upper	2	low gloss black
7	95821-08035	BOLT, flange	4	
8	93332-00001	BEARING	1	
9	93332-00008	BEARING	1	
10	1W1-23416-00	COVER, ball race 2	1	
11	90179-25033	NUT	1	
12	3R4-23317-00	HOLDER, cable	1	
13	90462-14055	CLAMP	2	
14	92501-06025	SCREW, Pan head	1	
15	92901-06100	WASHER, sPring	1	
16	95301-06600	NUT	1	
17	92901-06600	WASHER, Plate	1	
18	1W2-23318-00	HOLDER, cable 1	1	
19	98501-05018	SCREW, Pan head	1	
20	92901-05600	WASHER, Plate	1	
21	95301-05600	NUT	1	

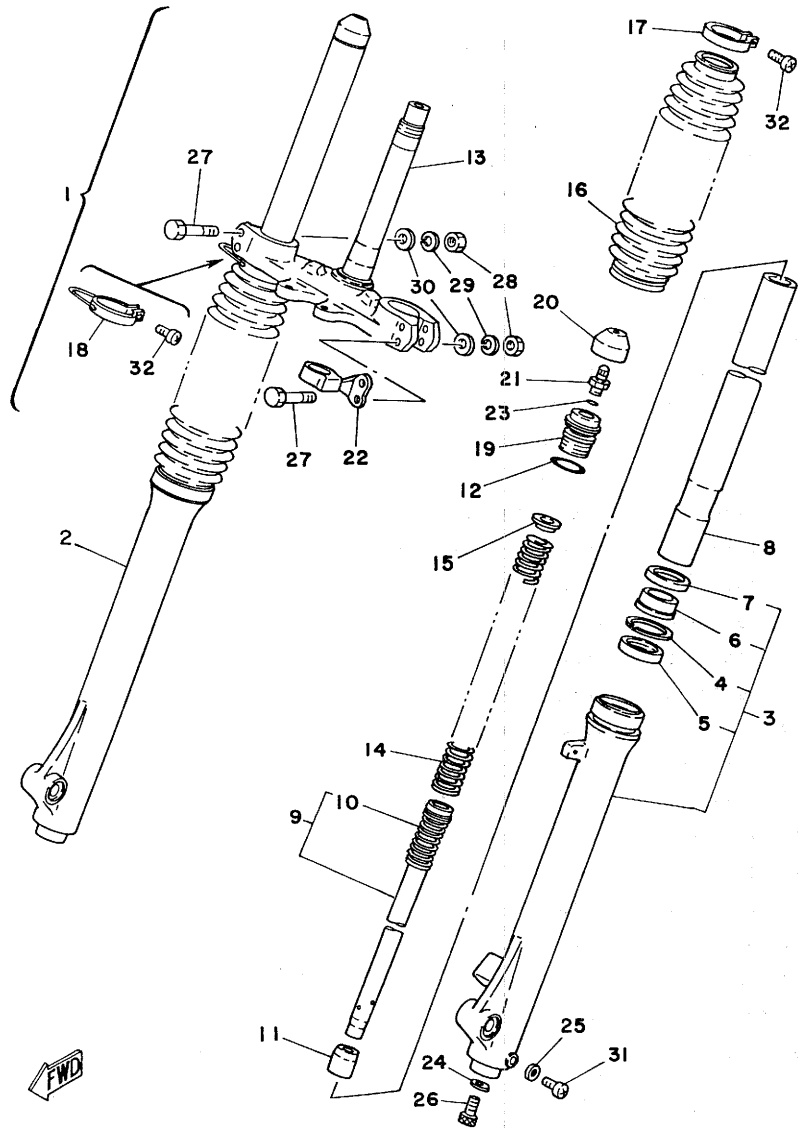
C11

FIG. 20 FRONT FORK



REF. NO.	PART NO.	DESCRIPTION	Q'TY	REMARKS
1	3R6-23101-L0	FRONT FORK ASSY	1	
2	3R6-23136-L0	•TUBE, outer 2	1	
3	3R6-23126-L0	•TUBE, outer 1	1	
4	3R2-23153-00	••RING, snaP	2	
5	1W1-23145-L0	••OIL SEAL	2	
6	3R8-23144-L0	••SEAL, dust	2	
7	3R8-23148-L0	••COVER, dust seal	2	
8	3R6-23110-L0	•INNER TUBE COMP.1	2	
9	3R6-23170-L0	•CYLINDER COMP., front fork	2	
10	2X7-23151-00	••SPRING, rebound	2	
11	3R6-23173-L0	•SPINDLE, taPer	2	
12	1W1-23114-L0	•GASKET	2	
13	2X7-23340-00-33	•UNDER BRACKET COMP.	1	yamaha black
14	3R6-23141-L0	•SPRING, front fork	2	
15	1W1-23142-L0	•SEAT, sPring uPPer	2	
16	2X3-23191-M0	•BOOT	2	
17	341-92090-60	•BAND, boot	1	
18	3R6-92090-L0	•BAND, boot	1	
19	1W1-23111-L0	•BOLT, caP	2	
20	1W1-23185-L0	•CAP, bolt	2	
21	509-23190-L0	•AIR VALVE COMP.	2	
22	3R4-23389-00	•GUIDE, cable	1	
23	509-23163-L0	•O-RING	2	
24	509-23158-L0	•GASKET	2	
25	122-23129-00	•GASKET, drain Plug	2	
26	278-23181-50	•BOLT, hexaGon socket head	2	
27	90109-08397	•BOLT	4	
28	95311-08600	•NUT	4	

FIG. 20 FRONT FORK

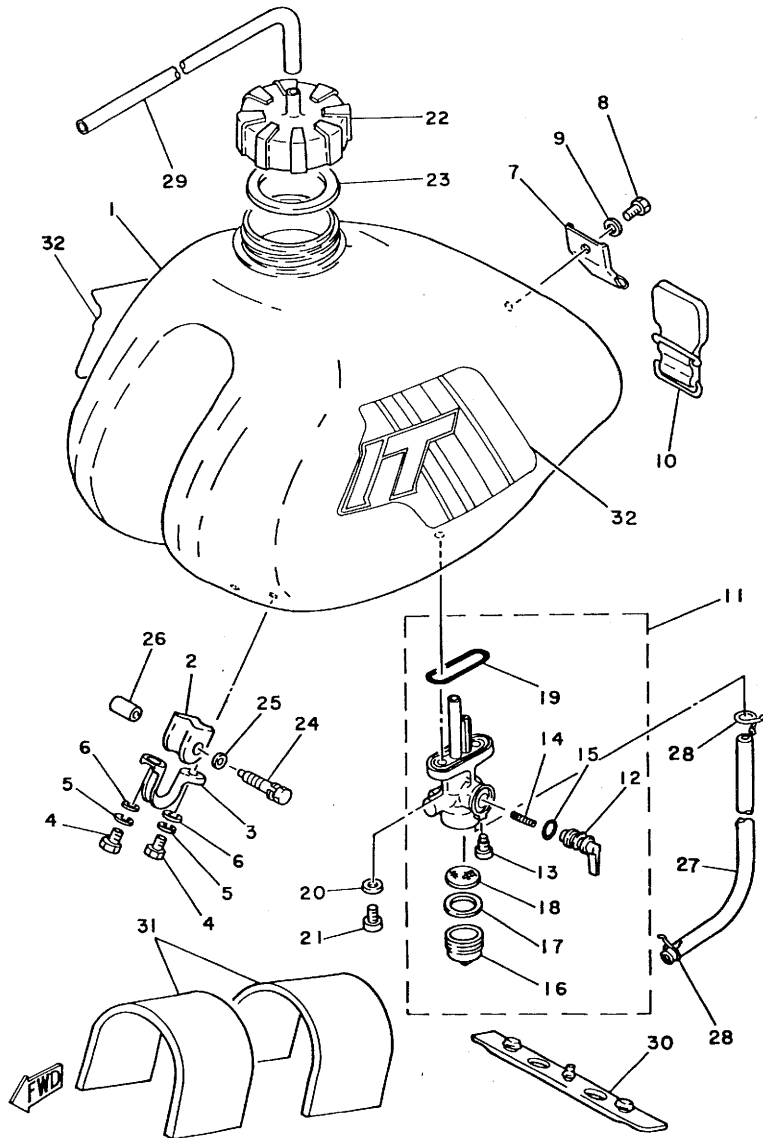


REF. NO.	PART NO.	DESCRIPTION	Q'TY	REMARKS
29	92901-08100	•WASHER, spring	4	
30	90201-08544	•WASHER, Plate	4	
31	122-23119-01	•PLUG, drain	2	
32	509-23194-L0	•SCREW, boot band	2	

C13

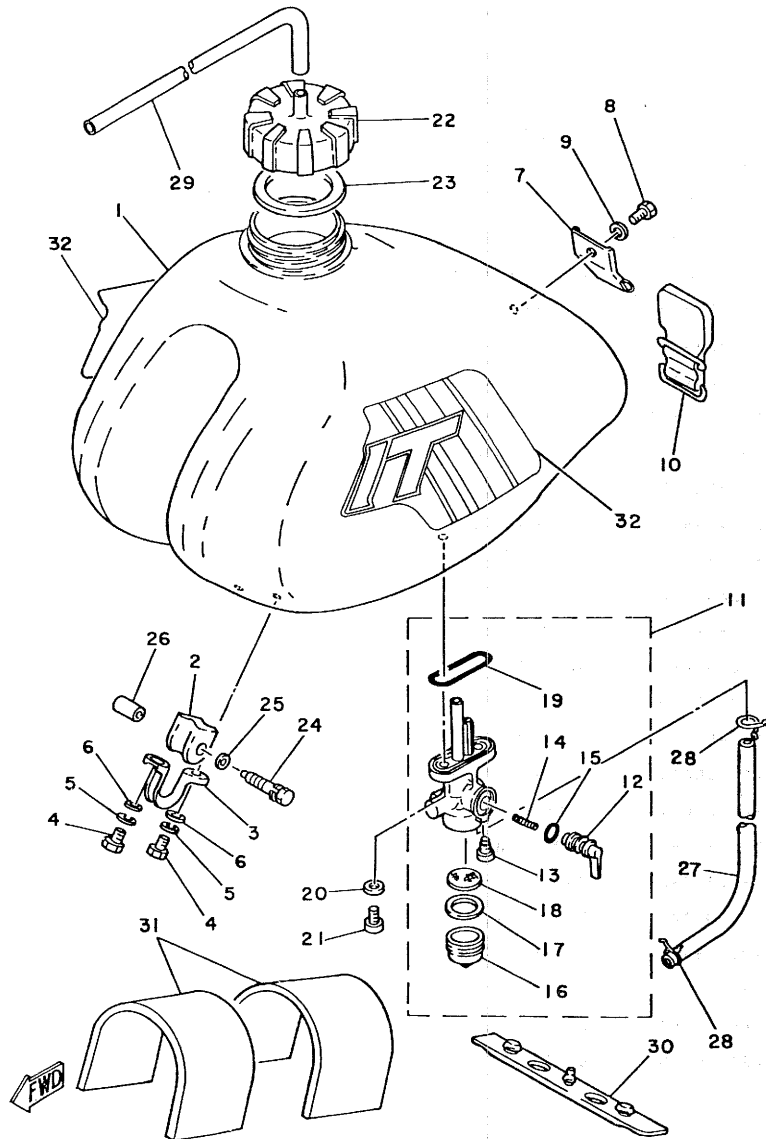
FIG. 21 FUEL TANK

REF. NO.	PART NO.	DESCRIPTION	Q'TY	REMARKS
1	3R6-24110-00	FUEL TANK COMP.	1	sky blue
2	1W1-24182-01	DAMPER, locatin8 2	2	
3	1W1-24144-01	HOLDER, damPer	2	
4	97301-06012	BOLT	4	
5	92901-06100	WASHER, sPrin8	4	
6	92901-06600	WASHER, Plate	4	
7	3R6-24192-00	BRACKET, fuel tank 2	1	
8	97301-06012	BOLT	1	
9	92901-06100	WASHER, sPrin8	1	
10	1W1-24173-00	BAND, tank fitting 1	1	
11	3R9-24500-00	FUEL COCK ASSY 1	1	
12	2W6-24524-00	•LEVER, cock	1	
13	2N3-24535-00	•SCREW, lever fitting	1	
14	2W6-24529-00	•SPRING	1	
15	2N3-24528-00	•O-RING	1	
16	357-24521-10	•CUP, filter	1	
17	357-24522-10	•GASKET	1	
18	2W6-24561-00	•NET, filter	1	
19	2W6-24512-00	•O-RING	1	
20	90202-06010	WASHER, Plate	2	
21	90149-06011	SCREW	2	
22	1K7-24611-01	BODY, caP	1	
23	1K7-24612-02	GASKET, caP	1	
24	90119-06022	BOLT, with washer	2	
25	90201-06407	WASHER, Plate	2	
26	90387-07393	COLLAR	2	
27	90445-11150	HOSE	1	
28	90467-10008	CLIP	2	



C14

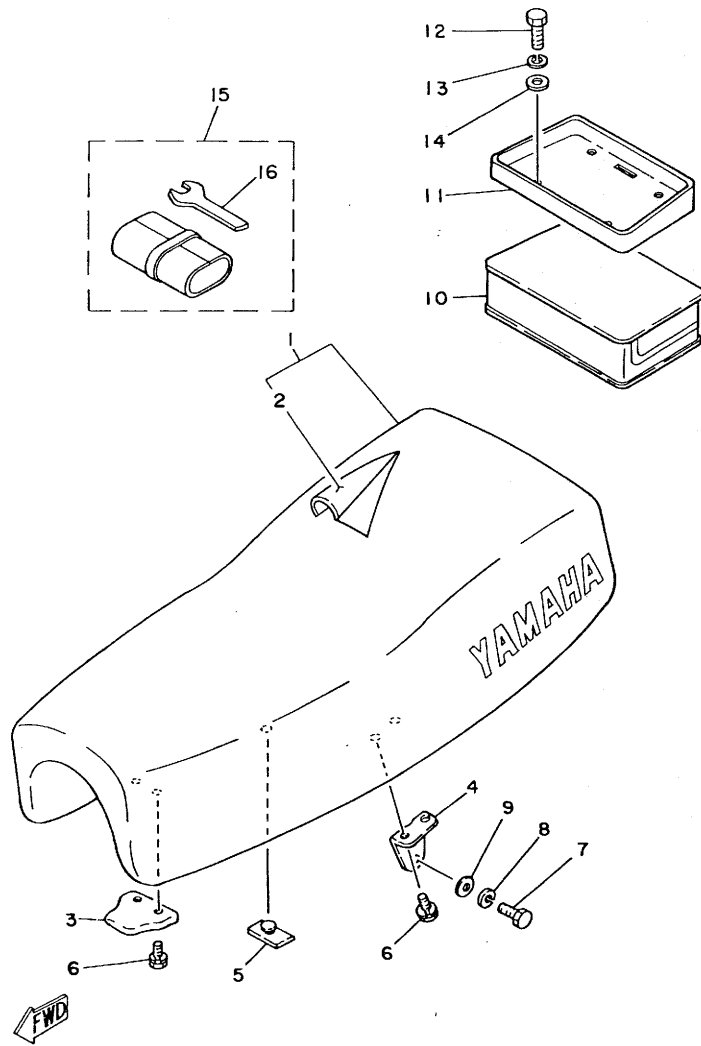
FIG. 21 FUEL TANK



REF. NO.	PART NO.	DESCRIPTION	Q'TY	REMARKS
29	90445-09117	HOSE	1	
30	3R4-24181-00	DAMPER, locatin& 1	1	
31	1W1-24183-00	DAMPER, locatin& 3	2	
32	3R6-24240-29	GRAPHIC SET	1	

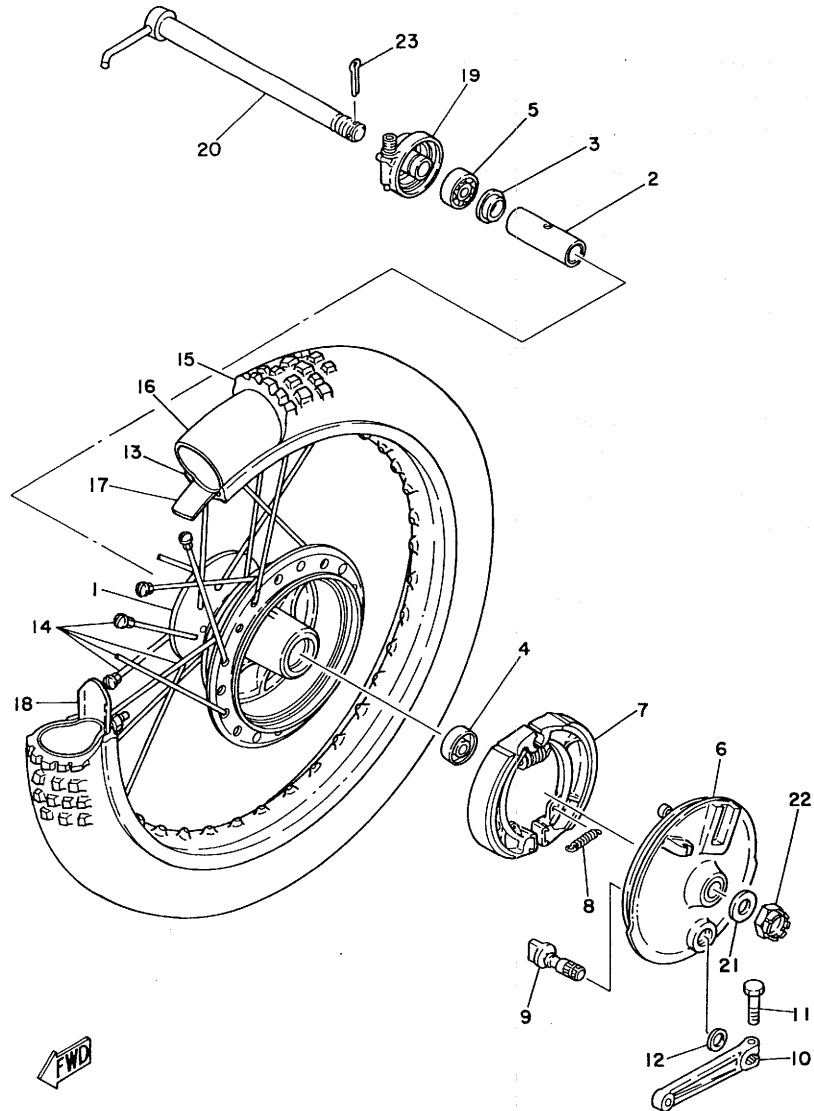
C15

FIG. 22 SEAT



REF. NO.	PART NO.	DESCRIPTION	Q'TY	REMARKS
1	3R6-W2473-10	SEMI-DOUBLE SEAT ASSY	1	
2	3R6-24771-10	COVER, semi-double seat	1	
3	1M1-24748-00	BRACKET, seat	1	
4	509-24738-01	BRACKET, seat	2	
5	509-24724-00	DAMPER, seat	6	
6	90101-06304	BOLT	6	
7	97301-06014	BOLT	2	
8	92901-06100	WASHER, sPring	2	
9	92901-06600	WASHER, Plate	2	
10	4V5-24850-00	CARRIER BOX ASSY	1	
11	4V5-24833-00	BRACKET, carrier 2	1	
12	97301-06018	BOLT	3	
13	92901-06100	WASHER, sPring	3	
14	90201-06067	WASHER, Plate	3	
15	1W2-28100-10	TOOL KIT	1	
16	1W1-28135-10	SPANNER, sPecial	1	

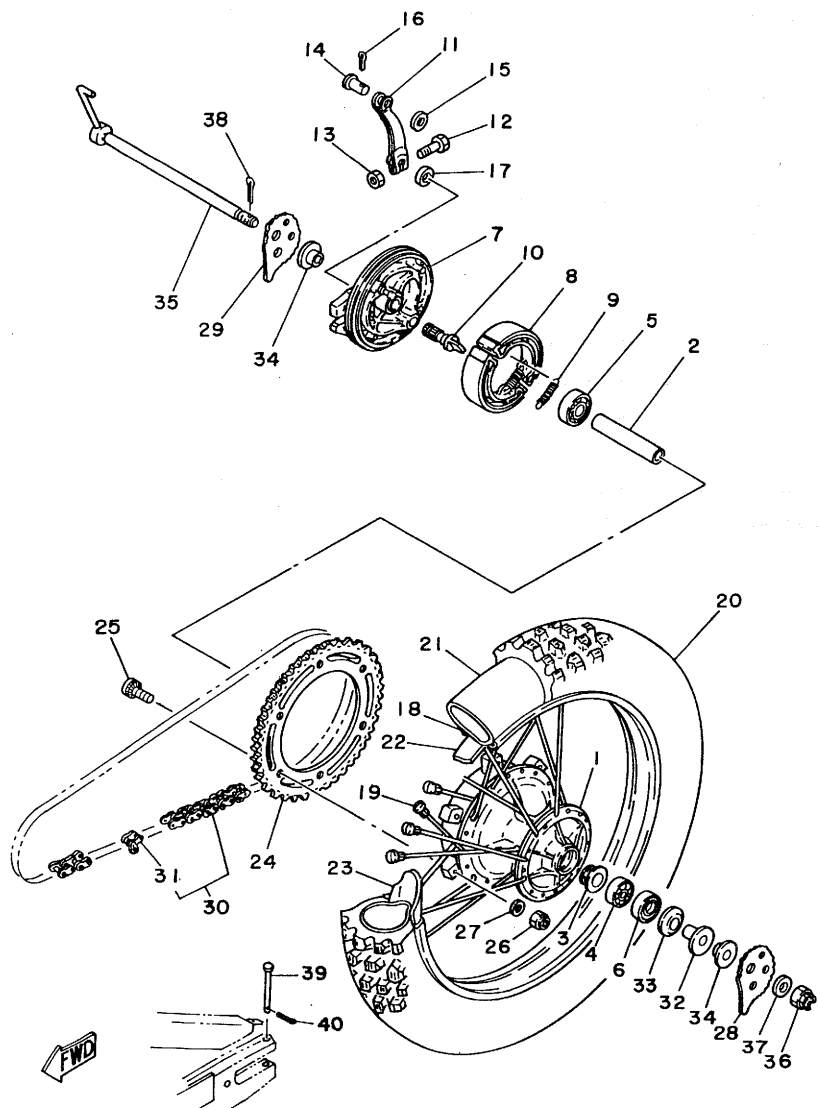
FIG. 23 FRONT WHEEL



REF. NO.	PART NO.	DESCRIPTION	Q'TY	REMARKS
1	1K7-25111-10-98	HUB, front	1	low gloss black
2	90560-15116	SPACER	1	
3	146-25116-00	FLANGE, sPacer 2	1	
4	93306-20203	BEARING (B6202RS)	1	
5	93306-20205	BEARING (B6202)	1	
6	1W1-25121-01-98	PLATE, brake shoe	1	low gloss black
7	322-25130-00	BRAKE SHOE COMP.	2	
8	90506-16036	SPRING, tension	2	
9	322-25151-00	CAMSHAFT	1	
10	322-25155-00	LEVER, camshaft 1	1	
11	90101-06291	BOLT	1	
12	137-25159-00	SEAL, camshaft	1	
13	94416-21234	RIM (1.60-21)	1	
14	2W6-25104-01	SPOKE SET, front	1	
15	94130-21584	TIRE (3.00-21)	1	
16	94230-21126	TUBE (3.00-21)	1	inoue
17	94330-21088	BAND, rim (3.00-21)	1	inoue
18	1T1-25194-00	SPACER, bead	1	
19	1W2-25190-00	GEAR UNIT ASSY	1	
20	1W2-25181-02	AXLE, wheel	1	
21	90201-15785	WASHER, Plate	2	
22	90171-14020	NUT, castle	1	
23	91401-30030	PIN, cotter	1	

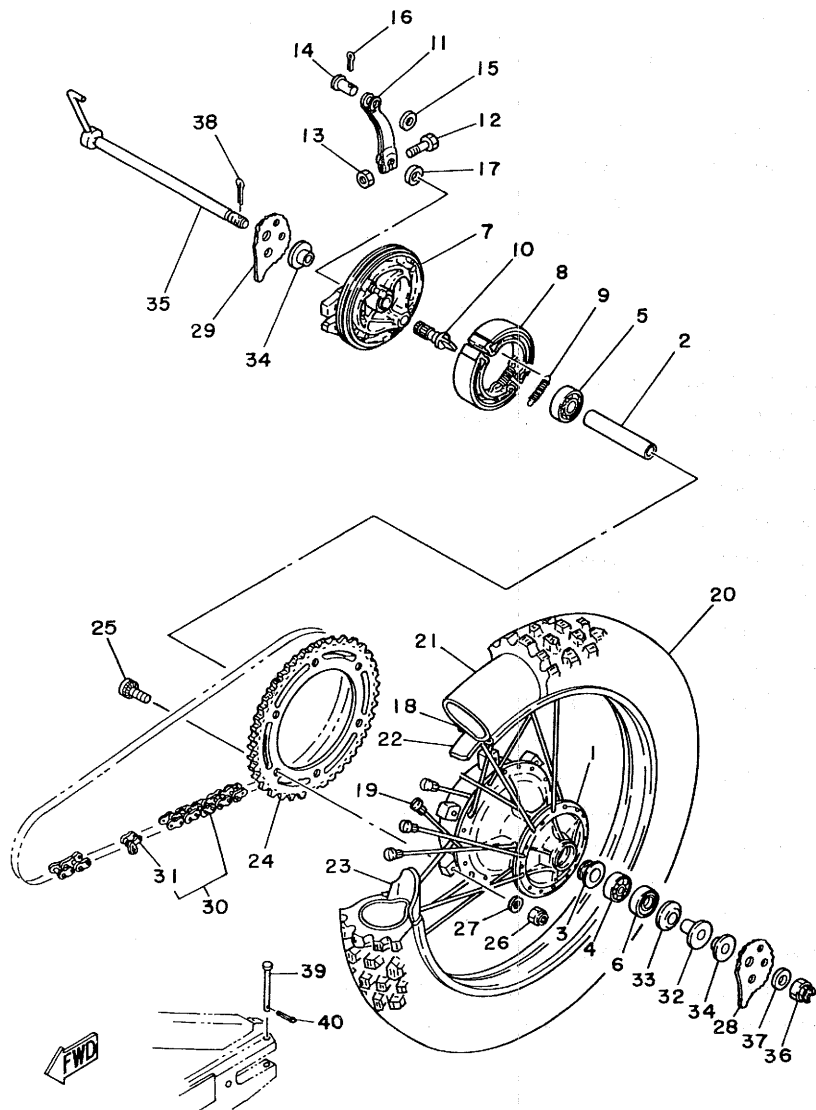
FIG. 24 REAR WHEEL

REF. NO.	PART NO.	DESCRIPTION	Q'TY	REMARKS
1	3R3-25311-01-98	HUB, rear	1	low gloss black
2	3R3-25317-00	SPACER, bearing	1	
3	183-25315-00	FLANGE, spacer	1	
4	93306-20205	BEARING (B6202)	1	
5	93306-30203	BEARING (B6302Z)	1	
6	93106-22017	OIL SEAL	1	
7	3R6-25321-00-98	PLATE, brake shoe	1	low gloss black
8	437-25330-00	BRAKE SHOE COMP.	2	
9	90506-16036	SPRING, tension	2	
10	401-25351-00	CAMSHAFT	1	
11	3R6-25355-01	LEVER, camshaft	1	
12	90101-06278	BOLT	1	
13	95301-06600	NUT	1	
14	3R6-27237-00	PIN, clevis	1	
15	90201-12631	WASHER, plate	1	
16	91401-25022	PIN, cotter	1	
17	148-25359-00	SEAL, camshaft	1	
18	94418-18245	RIM (1.85-18)	1	
19	4V2-25304-00	SPOKE SET, rear	1	
20	94141-18585	TIRE (4.10-18)	1	
21	94235-18022	TUBE (3.50-18)	1	
22	94325-18043	BAND, rim (2.50-18)	1	
23	2X3-25394-00	SPACER, bead	2	
24	3R6-25444-10-33	SPROCKET, driven (44T)	1	UR STD yamaha black
	3R6-25442-10-33	SPROCKET, driven (42T)	1	UR yamaha black
	3R6-25446-10-33	SPROCKET, driven (46T)	1	UR yamaha black
25	90110-08038	BOLT, hexagon socket head	6	
26	90185-08054	NUT, self-locking	6	



D4

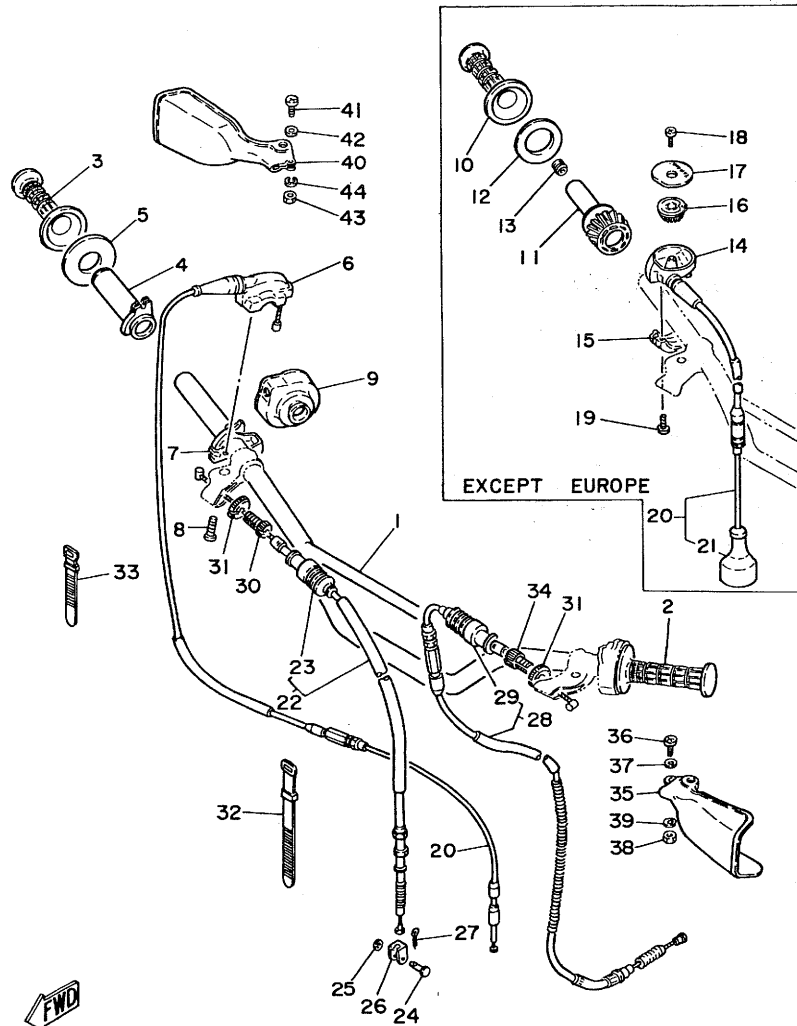
FIG. 24 REAR WHEEL



REF. NO.	PART NO.	DESCRIPTION	Q'TY	REMARKS
27	92901-08200	WASHER, Plain	6	
28	1W2-25388-01	PULLER, chain 1	1	
29	1W2-25389-01	PULLER, chain 2	1	
30	94585-20100	CHAIN, drive (DID520DS 100L)	1	
31	94685-20001	JOINT, chain	1	
32	90387-152A3	COLLAR	1	
33	3R3-25367-00	COVER, hub dust	1	
34	90381-15034	BUSH, solid	2	
35	3R6-25381-00	AXLE, wheel	1	
36	90171-14020	NUT, castle	1	
37	90201-15238	WASHER, Plate	1	
38	91402-30028	PIN, cotter	1	
39	91702-06055	PIN, clevis	2	
40	91402-20012	PIN, cotter	2	

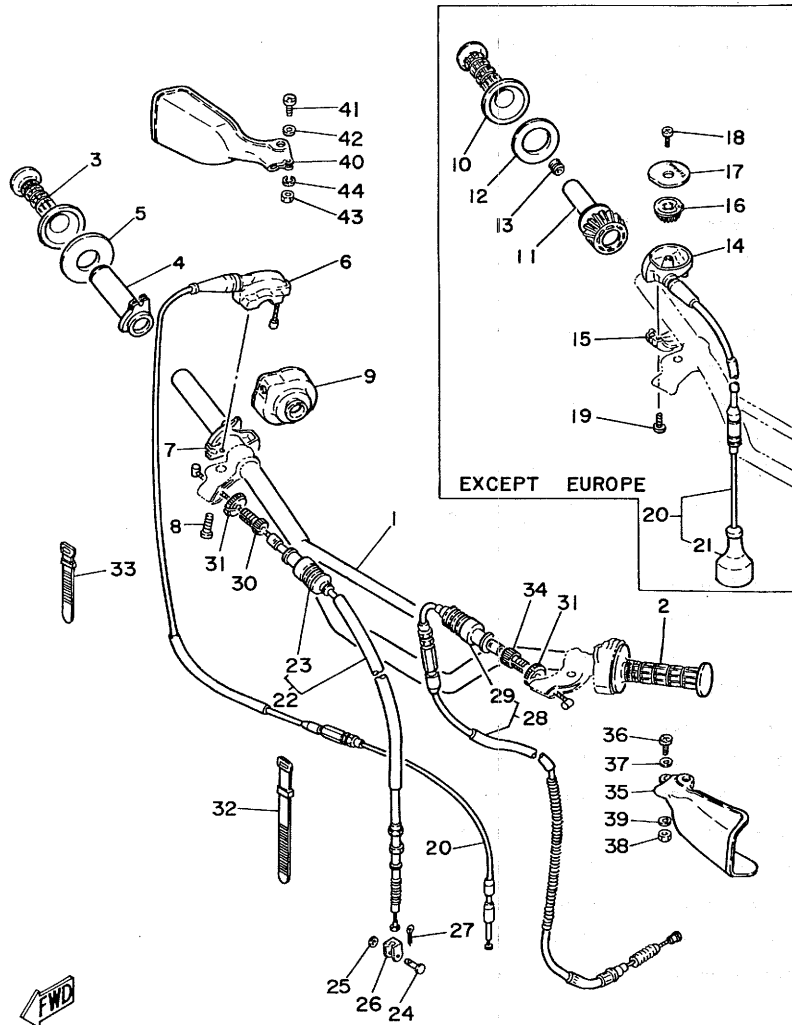
D5

FIG. 25 HANDLEBAR.CABLE



REF. NO.	PART NO.	DESCRIPTION	Q'TY	REMARKS
1	3R6-26111-00	HANDLEBAR	1	
2	4V4-26241-00	GRIP (L.H)	1	
3	3R9-26242-00	GRIP (R.H)	1	
4	322-26243-00	TUBE, throttle Guide	1	
5	1W1-26249-00	RING, leaf	1	for europe
6	322-26281-00-98	CAP, grip upper	1	low gloss black
7	322-26282-00-98	CAP, grip lower	1	low gloss black
8	98501-05016	SCREW, Pan head	2	
9	3R8-26287-00	COVER, cap grip	1	
10	4V4-26242-00	GRIP (R.H)	1	
11	4V6-26243-00	TUBE, throttle Guide	1	
12	4V4-26249-00	RING, leaf	1	
13	688-82535-00	GROMMET	1	
14	4V4-26281-00	CAP, grip upper	1	except europe
15	4V4-26282-00	CAP, grip lower	1	except europe
16	4V6-2628E-00	GEAR, bevel	1	
17	4V4-2628F-00	CAP, gear	1	
18	98906-05010	SCREW, bind	1	
19	98501-05016	SCREW, Pan head	2	
20	3R6-26311-00	CABLE, throttle 1	1	UR for europe
	4V2-26311-00	CABLE, throttle 1	1	UR except europe
21	500-26329-01	.CAP, rubber	1	except europe
22	3R6-26341-01	CABLE, brake	1	
23	1E6-26342-00	.BOOT, cable	1	
24	90240-08012	PIN, clevis	1	
25	90201-08083	WASHER, Plate	1	
26	156-26347-00	JOINT, cable	1	
27	91401-20012	PIN, cotter	1	

FIG. 25 HANDLEBAR-CABLE

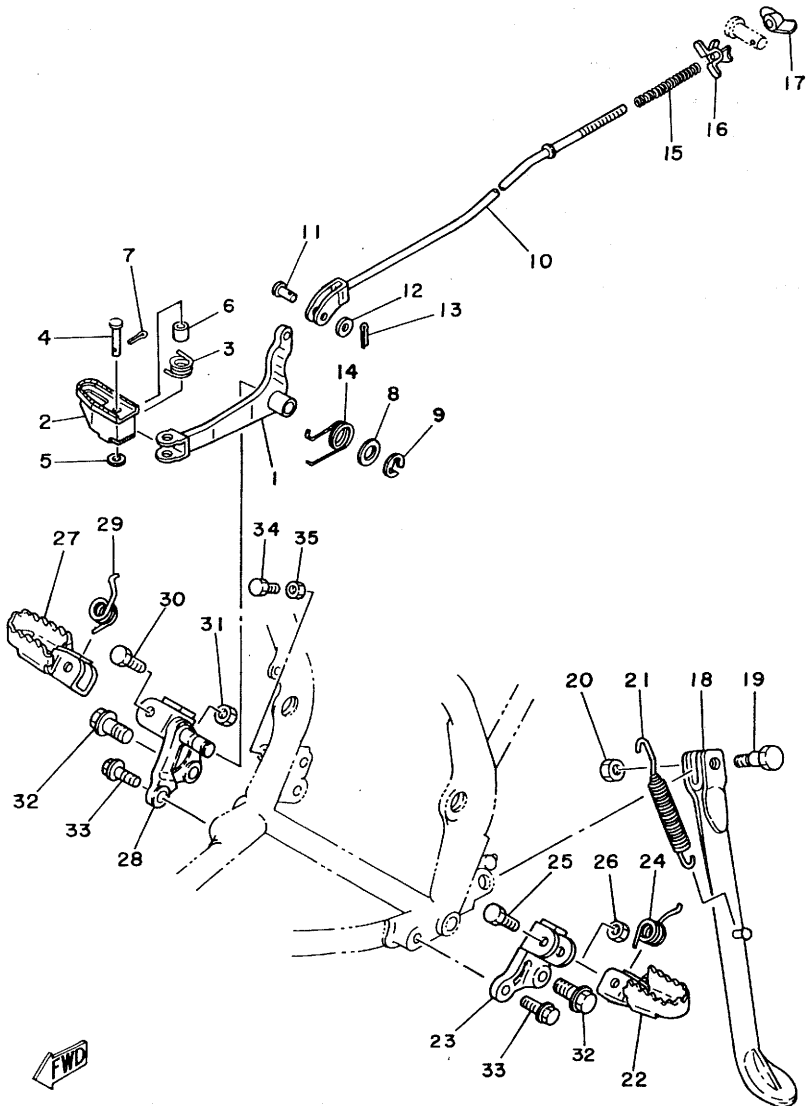


REF. NO.	PART NO.	DESCRIPTION	Q'TY	REMARKS
28	3R6-26335-00	CABLE, clutch	1	
29	1E6-26342-00	•BOOT, cable	1	
30	90123-08046	BOLT	1	
31	90179-08148	NUT	2	
32	437-83936-10	BAND, switch cord	1	
33	437-83936-00	BAND, switch cord	1	
34	90123-08046	BOLT	1	
35	3R9-26141-00	GUARD, brush 1	1	sky blue
36	92501-06015	SCREW, Pan head	1	
37	92901-06600	WASHER, Plate	1	
38	95301-06700	NUT	1	
39	92901-06200	WASHER, Plain	1	
40	3R9-26142-00	GUARD, brush 2	1	sky blue
41	92501-06015	SCREW, Pan head	1	
42	92901-06600	WASHER, Plate	1	
43	95301-06700	NUT	1	
44	92901-06200	WASHER, Plain	1	

Ref. 38
C8
25-35

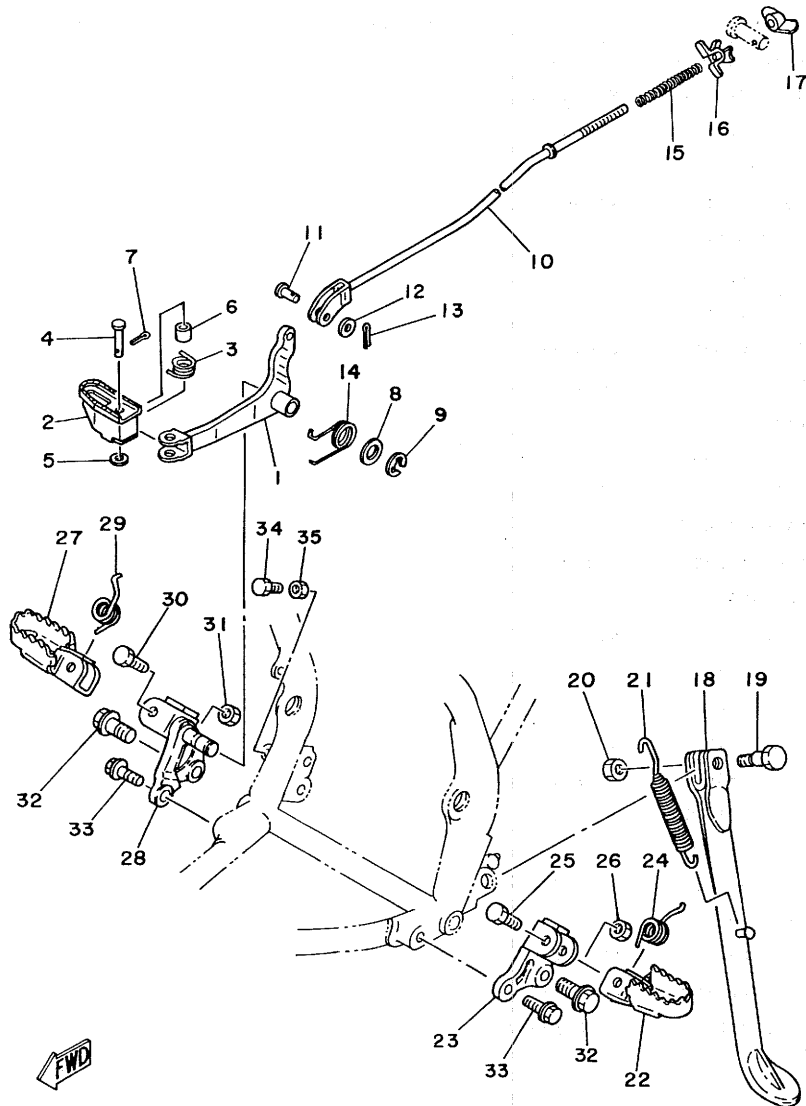
D7

FIG. 26 STAND.FOOTREST



REF. NO.	PART NO.	DESCRIPTION	Q'TY	REMARKS
1	3R6-27211-01-90	PEDAL, brake	1	uni chrome (black)
2	3R6-27242-00	PEDAL, brake	1	
3	90508-20451	SPRING, torsion	1	
4	91701-08032	PIN, clevis	1	
5	92901-08600	WASHER, Plate	1	
6	90387-08762	COLLAR	1	
7	91401-25012	PIN, cotter	1	
8	92902-12200	WASHER	1	
9	93430-09038	CIRCLIP	1	
10	3R6-27231-00	ROD, brake	1	
11	90240-06040	PIN, clevis	1	
12	92901-06200	WASHER, Plain	1	
13	91401-20012	PIN, cotter	1	
14	90508-32455	SPRING, torsion	1	
15	90501-10245	SPRING, compression	1	
16	1W2-27239-00	SEAT, spring	1	
17	90175-06013	NUT, wing	1	
18	2K6-27311-01-33	STAND, side	1	
19	90109-10473	BOLT	1	
20	95301-10700	NUT	1	
21	90507-29008	SPRING, tension	1	
22	4V4-27411-00	FOOTREST 1	1	
23	4V2-27412-00	BRACKET, footrest 1	1	
24	90508-20023	SPRING, torsion	1	
25	90101-08428	BOLT	1	
26	95601-08100	NUT, u	1	
27	4V4-27421-00	FOOTREST 2	1	
28	3R6-27422-10	BRACKET, footrest 2	1	

FIG. 26 STAND-FOOTREST

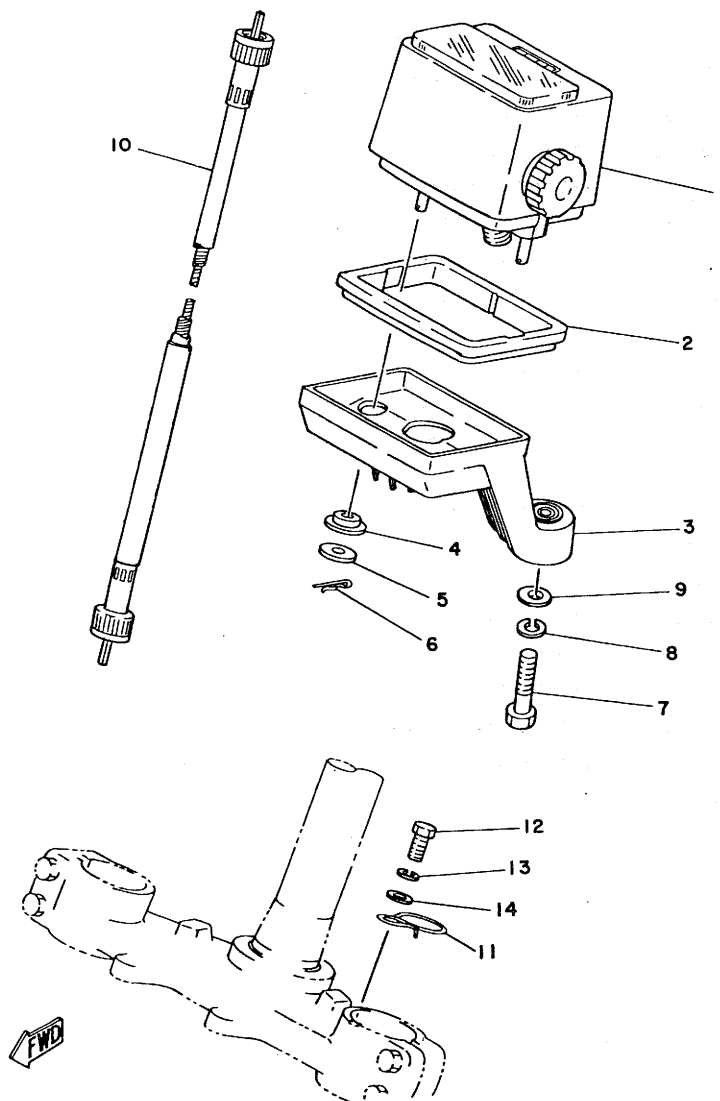


REF. NO.	PART NO.	DESCRIPTION	Q'TY	REMARKS
29	90508-20023	SPRING, torsion	1	
30	90101-08428	BOLT	1	
31	95601-08100	NUT, u	1	
32	90105-12096	BOLT, washer based	2	
33	95821-10020	BOLT, flange	2	
34	97302-06020	BOLT	1	
35	95302-06700	NUT	1	

D9

FIG. 27 METER

REF. NO.	PART NO.	DESCRIPTION	Q'TY	REMARKS
1	3R8-83570-60	SPEEDMETER ASSY	1	UR mile/h
	3R8-83570-F0	SPEEDMETER ASSY	1	UR km/h
2	3R8-83513-00	DAMPER	1	
3	3R8-83519-00	BRACKET, meter	1	
4	1M1-83526-00	DAMPER 2	2	
5	1E6-83524-60	WASHER, sPecial	2	
6	90468-12007	CLIP	2	
7	97321-06030	BOLT	2	
8	92901-06100	WASHER, sPring	2	
9	92901-06600	WASHER, Plate	2	
10	3R6-83550-00	SPEEDMETER CABLE ASSY	1	
11	2A6-83595-00	CLAMP	1	
12	97301-06012	BOLT	1	
13	92901-06100	WASHER, sPring	1	
14	92901-06600	WASHER, Plate	1	



D10

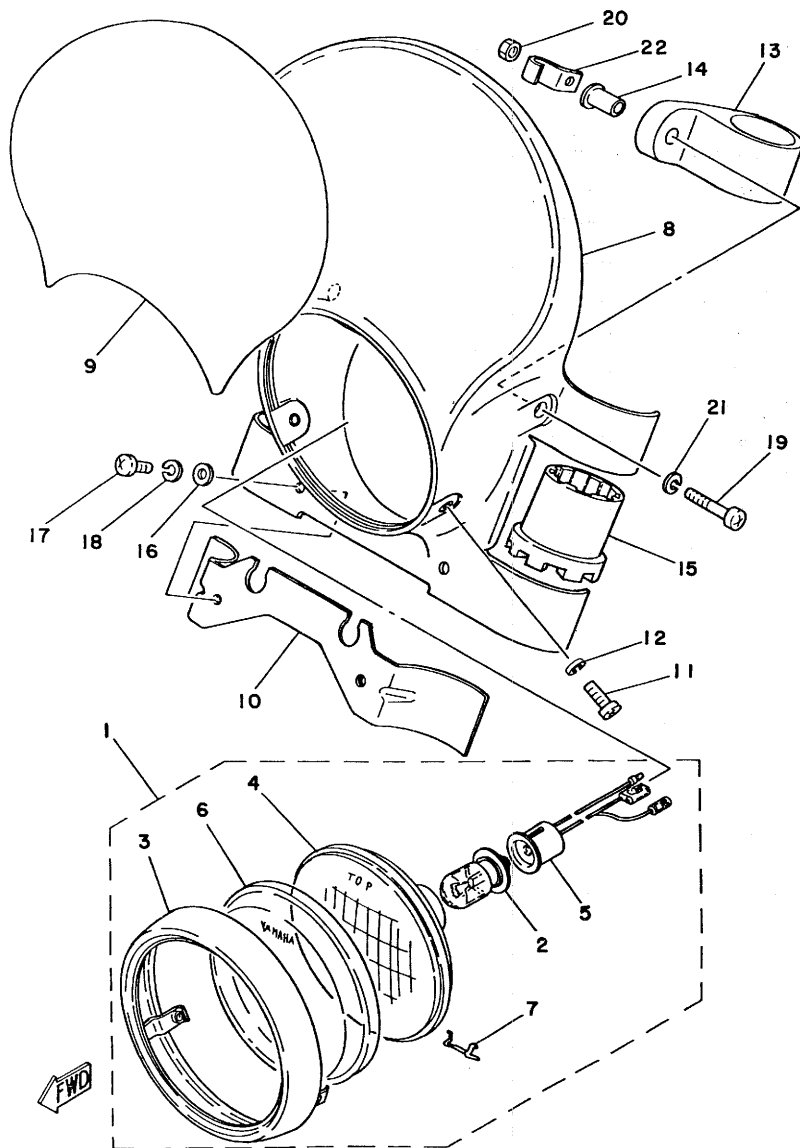


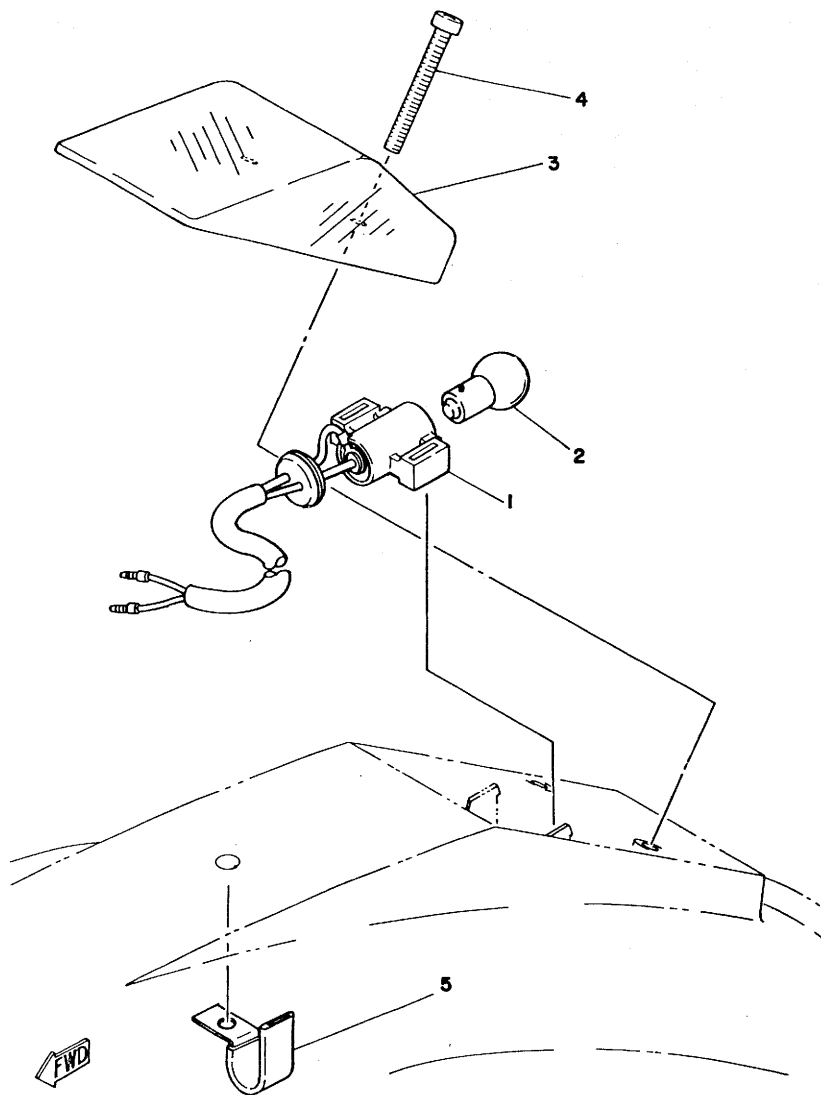
FIG. 28 HEADLIGHT

REF. NO.	PART NO.	DESCRIPTION	Q'TY	REMARKS
1	3R8-84110-61	HEADLIGHT UNIT ASSY	1	
2	527-84114-09	.BULB (6V-25/25W)	1	
3	3R8-84115-60	.RIM, headlight	1	
4	3R8-84120-60	.LENS ASSY	1	
5	3R8-84140-61	.SOCKET CORD ASSY	1	
6	3R8-84144-60	.COVER, headlight	1	
7	1W2-84324-60	.SPRING, lens fitting	4	
8	3R8-84130-00	BODY ASSY, headlight	1	sky blue
9	3R8-84141-01	EMBLEM, headlight	1	
10	3R8-84181-00	BRACKET, lower 1	1	
11	98501-05016	SCREW, Pan head	2	
12	92901-05100	WASHER, sPring	2	
13	3R8-84163-00	DAMPER	2	
14	3R8-84133-00	COLLAR, screw	2	
15	3R8-84164-00	DAMPER	2	
16	90201-06571	WASHER, Plate	2	
17	92501-06012	SCREW, Pan head	2	
18	92901-06100	WASHER, sPring	2	
19	92501-06030	SCREW, Pan head	2	
20	90185-06062	NUT, self-locking	2	
21	90201-06407	WASHER, Plate	2	
22	90462-05005	CLAMP	1	

D11

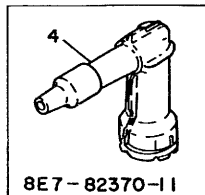
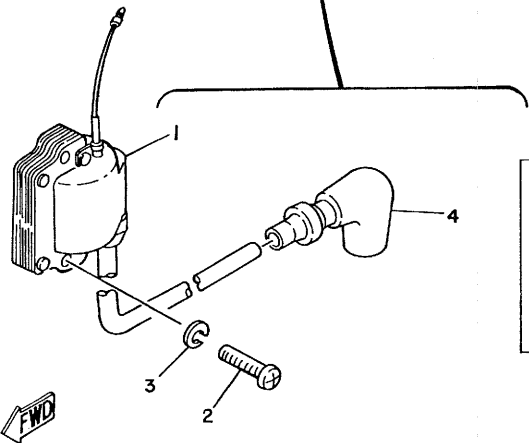
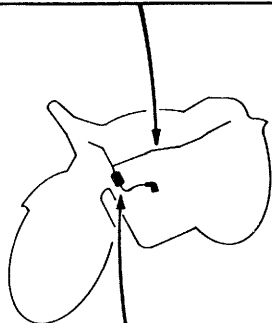
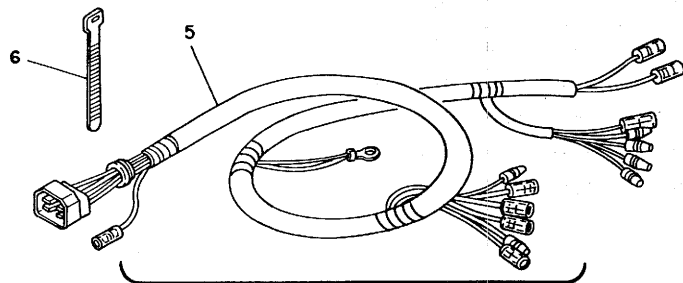
FIG. 29 TAILLIGHT

REF. NO.	PART NO.	DESCRIPTION	Q'TY	REMARKS
1	3R9-84536-00	SOCKET CORD ASSY	1	
2	3R9-84514-00	BULB, tail lamp (6V-5W)	1	
3	3R9-84521-00	LENS, taillight	1	
4	98501-04035	SCREW, Pan head	2	
5	90462-05005	CLAMP	1	



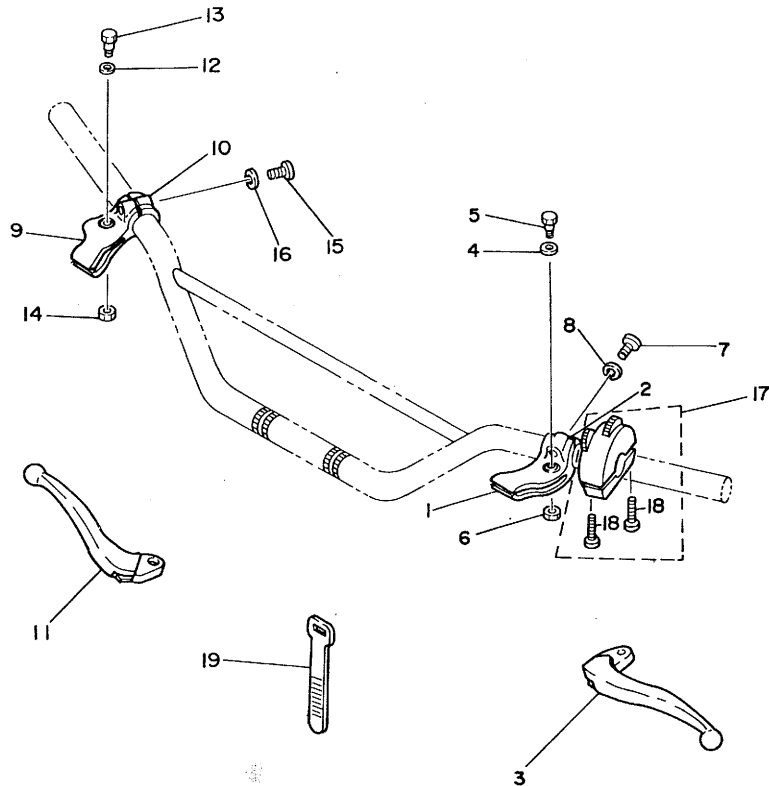
D12

FIG. 30 ELECTRICAL 1



REF. NO.	PART NO.	DESCRIPTION	Q'TY	REMARKS
1	1M2-82310-40	IGNITION COIL ASSY	1	
2	92501-06025	SCREW, Pan head	2	
3	92901-06100	WASHER, sPring	2	
4	3R0-82370-20	PLUG CAP ASSY	1	UR
	8E7-82370-11	PLUG CAP ASSY	1	UR with noise suppressor
5	3R6-82590-00	WIRE HARNESS ASSY	1	
6	437-83936-00	BAND, switch cord	4	

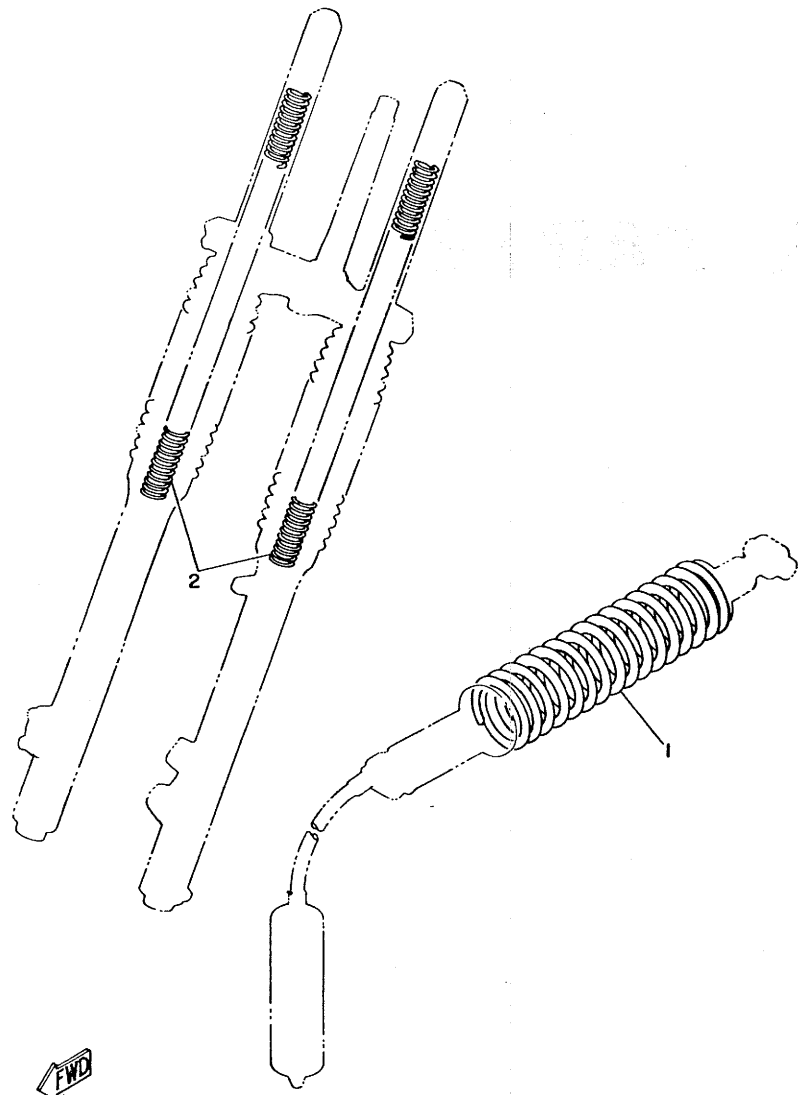
FIG. 31 HANDLE SWITCH•LEVER



REF. NO.	PART NO.	DESCRIPTION	Q'TY	REMARKS
1	4V4-82911-00	HOLDER, lever 1	1	
2	4V4-82913-00	HOLDER, lever lower 1	1	
3	3M2-83912-00	LEVER 1	1	
4	90201-08083	WASHER, Plate	1	
5	90109-06410	BOLT	1	
6	95601-06100	NUT, u	1	
7	98506-05020	SCREW, Pan head	2	
8	92906-05100	WASHER, sPring	2	
9	4V4-82921-00	HOLDER, lever 2	1	
10	4V4-82913-00	HOLDER, lever lower 1	1	
11	3M2-83922-00	LEVER 2	1	
12	90201-08083	WASHER, Plate	1	
13	90109-06410	BOLT	1	
14	95601-06100	NUT, u	1	
15	98506-05020	SCREW, Pan head	2	
16	92906-05100	WASHER, sPring	2	
17	3R8-83973-00	SWITCH, handle 3	1	
18	98506-05022	•SCREW, Pan head	2	
19	437-83936-00	BAND, switch cord	2	

ALTERNATE PARTS

FIG. 32 ALTERNATE (CHASSIS)



REF. NO.	PART NO.	DESCRIPTION	Q'TY	REMARKS
1	3R6-22212-10	SPRING	1	UR soft
	3R6-22212-20	SPRING	1	UR hard
2	3R6-23141-10	SPRING, front fork	2	UR soft
	3R6-23141-20	SPRING, front fork	2	UR hard

D15

REPAIR KIT

FIG. 33 REPAIR KIT

REF. NO.	PART NO.	DESCRIPTION	Q'TY	REMARKS
1	3R6-11630-00	PISTON ASSY (STD)	1	
2	3R6-11631-00-96	.PISTON (STD)	1	UR
	3R6-11631-00-97	.PISTON (STD)	1	UR
3	2W6-11601-00	.PISTON RING SET (STD)	1	
4	251-11633-00	.PIN, Piston	1	
5	93450-17025	.CIRCLIP	2	
6	3R6-11630-10	PISTON ASSY (1ST O/S)	1	
7	3R6-11635-00	.PISTON (1ST O/S 0.25MM)	1	
8	2W6-11601-10	.PISTON RING SET (1ST O/S)	1	
9	251-11633-00	.PIN, Piston	1	
10	93450-17025	.CIRCLIP	2	
11	3R6-11630-20	PISTON ASSY (2ND O/S)	1	
12	3R6-11636-00	.PISTON (2ND O/S 0.50MM)	1	
13	2W6-11601-20	.PISTON RING SET (2ND O/S)	1	
14	251-11633-00	.PIN, Piston	1	
15	93450-17025	.CIRCLIP	2	
16	3R6-11630-30	PISTON ASSY (3RD O/S)	1	
17	3R6-11637-00	.PISTON (3RD O/S 0.75MM)	1	
18	2W6-11601-30	.PISTON RING SET (3RD O/S)	1	
19	251-11633-00	.PIN, Piston	1	
20	93450-17025	.CIRCLIP	2	
21	3R6-11630-40	PISTON ASSY (4TH O/S)	1	
22	3R6-11638-00	.PISTON (4TH O/S 1.00MM)	1	
23	2W6-11601-40	.PISTON RING SET (4TH O/S)	1	
24	251-11633-00	.PIN, Piston	1	
25	93450-17025	.CIRCLIP	2	
26	3M5-11650-10	CONNECTING ROD ASSY	1	
27	1G8-11651-00	.ROD, connectin&	1	

FIG. 33 REPAIR KIT

REF. NO.	PART NO.	DESCRIPTION	Q'TY	REMARKS
28	3M5-11681-00	•PIN, crank 1	1	
29	90209-22071	•WASHER	2	
30	93310-422G3	•BEARING, cylindrical	1	
31	93310-216E1	•BEARING, cylindrical	1	
32	3R6-W0001-00	GASKET KIT	1	
33	3R6-11181-00	•GASKET, cylinder head 1	1	
34	3R3-11351-00	•GASKET, cylinder	1	
35	483-14184-00	•GASKET, float chamber	1	
36	3R3-13621-00	•GASKET, valve seat	1	
37	3R6-14613-01	•GASKET, exhaust Pipe	1	
38	90430-12038	•GASKET	1	
39	3R3-15451-01	•GASKET, crankcase cover	1	
40	93210-14104	•O-RING	1	
41	90430-06016	•GASKET	1	
42	3R3-15455-00	•GASKET 1	1	
43	93210-20027	•O-RING	1	
44	3R3-W0003-00	OIL SEAL KIT	1	
45	93103-28100	•OIL SEAL	1	
46	93102-25214	•OIL SEAL	1	
47	93101-17062	•OIL SEAL	1	
48	93104-14004	•OIL SEAL	1	
49	93102-26042	•OIL SEAL	1	
50	93101-12060	•OIL SEAL	1	

INDEX

NUMERICAL INDEX

PART NO.	REF. NO.	PART NO.	REF. NO.	PART NO.	REF. NO.
91402-16015	5-16	92901-06100	19-15	92902-10600	18-27
91402-20012	24-40		21- 5	92902-12200	26- 8
91402-30028	24-38		21- 9	92906-05100	31- 8
91701-08032	26- 4		22- 8		31-16
91702-06055	24-39		22-13	93101-12060	13-11
91702-12040	9-17		27- 8		33-50
91810-02014	1-13		27-13	93101-17062	9-12
91830-21014	7- 4		28-18		33-47
	8- 4		30- 3	93102-25214	2-16
3R6-92090-L0	20-18	92901-06200	8-16		33-46
341-92090-60	20-17		10-21	93102-26042	11-24
92501-06012	17-18		17-20		33-49
	28-17		25-39	93103-28100	2-15
92501-06014	16- 4		25-44		33-45
92501-06015	3-18		26-12	93104-14004	10-27
	8-13	92901-06600	3-19		33-48
	16-11		4- 8	93106-22017	24- 6
	25-36		6-11	93108-35004	17-12
	25-41		17-32	93109-22018	17- 7
92501-06020	8-15		19-17	93210-14104	8- 6
	17-30		21- 6		33-40
92501-06025	19-14		22- 9	93210-20027	10- 4
	30- 2		25-37		33-43
92501-06030	28-19		25-42	93306-00421	12- 4
92501-08010	7-13		27- 9	93306-20107	13- 3
92502-06016	18-36		27-14	93306-20203	23- 4
92506-06008	8- 7	92901-08100	6-18	93306-20205	23- 5
92506-06025	8- 3		14-18		24- 4
	8-11		17-25	93306-20529	2-14
92701-06012	11-28		17-28	93306-30203	24- 5
92901-03100	5-35		20-29	93306-30303	11-20
92901-04100	3-12	92901-08200	6-21	93306-30406	2-13
	3-14		16-14	93306-30411	11-23
	3-16		17-26	93310-216E1	2-12
92901-05100	17-37		24-27		33-31
	28-12	92901-08600	14-19	93310-422G3	33-30
92901-05200	17-38		17-29	93310-422H0	2- 7
92901-05600	19-20		26- 5	93311-31515	11-22
92901-06100	4-22	92901-12100	3-21	93311-41530	11-21
	6- 6	92901-12600	18-30	93315-21429	10-28
	6-10	92901-16100	17-15	93317-22214	17- 6
	15- 9	92902-04100	5-43	93332-00001	19- 8
	15-11	92902-05100	5-10	93332-00008	19- 9
	15-22	92902-06100	15- 4	93410-17037	9-11
	16- 5		18-37	93410-20038	11- 7
	16-12	92902-06600	18-38	93410-22039	11-18
	17-19	92902-08200	14- 8	93410-30012	9- 8
	17-31		14-13	93430-09038	26- 9

NUMERICAL INDEX

PART NO.	REF. NO.	PART NO.	REF. NO.	PART NO.	REF. NO.
93430-10016	13-15	95821-08055	19- 3		
93440-15012	9- 3	95821-10020	26-33		
	11-16	97301-05012	17-36		
93440-50078	18-23	97301-06012	4-21		
93450-17025	2-11		6- 5		
	33- 5		6- 9		
	33-10		21- 4		
	33-15		21- 8		
	33-20		27-12		
	33-25	97301-06014	15- 8		
93503-16010	10-19		15-21		
93507-32009	9-16		22- 7		
93604-16092	10-29	97301-06018	22-12		
93604-26132	18-15	97301-06025	4- 7		
93608-25150	13-12		15-10		
94130-21584	23-15	97301-06045	6-22		
94141-18585	24-20	97301-06055	17-33		
94230-21126	23-16	97301-08014	14- 7		
94235-18022	24-21	97301-08016	17-27		
94325-18043	24-22	97301-08020	17-24		
94330-21088	23-17	97301-08030	6-17		
94416-21234	23-13	97302-06020	15- 3		
94418-18245	24-18		26-34		
94585-20100	24-30	97302-08050	14- 6		
94685-20001	24-31	97321-06012	11-26		
*	1-14	97321-06025	13-10		
95301-05600	19-21	97321-06030	27- 7		
95301-06600	10-22	97602-03108	4- 4		
	19-16	97702-50116	4-25		
	24-13	98501-04005	18- 4		
95301-06700	25-38	98501-04014	3-15		
	25-43	98501-04030	3-13		
95301-10700	26-20	98501-04035	3-11		
95302-06700	26-35		29- 4		
95302-10700	18-26	98501-05015	5- 9		
95311-08600	20-28	98501-05016	25- 8		
95601-06100	6-24		25-19		
	17-34		28-11		
	31- 6	98501-05018	19-19		
	31-14	98502-04008	5-42		
95601-08100	26-26	98503-03006	5-34		
	26-31	98506-05020	31- 7		
95701-08100	19- 4		31-15		
95702-08300	14- 7	98506-05022	31-18		
95812-08075	14-10	98701-05016	12- 6		
95812-08160	14-11	98906-05010	25-18		
95821-08035	19- 7				
95821-08040	19- 2				

PARTS NAME INDEX

DESCRIPTION	REF. NO.
ABSORBER 1	1-2
ABSORBER 2	1-7
AIR CLEANER CASE ASSY	4-11
AIR VALVE COMP.	20-21
ARM, float	5-30
ARM, tensioner	17-22
AXLE, drive	11-8
AXLE, main (11T)	11-1
AXLE, wheel	23-20
*	24-35
BALL	9-16
*	10-19
BAND, boot	20-17
*	20-18
BAND, rim (2.50-18)	24-22
BAND, rim (3.00-21)	23-17
BAND, switch cord	25-32
*	25-33
*	30-6
*	31-19
BAND, tank fitting 1	21-10
BAND, tool	3-24
BAR, shift fork guide 1	12-14
BAR, shift fork guide 2	12-15
BASE, magneto	3-3
BEARING	12-4
*	19-8
*	19-9
BEARING (B6201)	13-3
BEARING (B6202)	23-5
*	24-4
BEARING (B6202RS)	23-4
BEARING (B6205C4)	2-14
BEARING (B6302Z)	24-5
BEARING (B6303Z)	11-20
BEARING (B6304)	11-23
BEARING (B6304C3)	2-13
BEARING, cylindrical	2-7
*	2-12
*	10-28
*	11-21
*	11-22
*	17-6
*	33-30
*	33-31
BODY ASSY, headlight	28-8
BODY, cap	21-22
BODY, float chamber 1	5-52

PARTS NAME INDEX

DESCRIPTION	REF. NO.
BOLT	4-7
*	4-21
*	6-5
*	6-9
*	6-17
*	6-20
*	6-22
*	7-5
*	7-6
*	11-26
*	13-10
*	14-6
*	14-17
*	15-3
*	15-8
*	15-10
*	15-21
*	17-2
*	17-24
*	17-27
*	17-33
*	17-36
*	18-25
*	20-27
*	21-4
*	21-8
*	22-6
*	22-7
*	22-12
*	23-11
*	24-12
*	25-30
*	25-34
*	26-19
*	26-25
*	26-30
*	26-34
*	27-7
*	27-12
*	31-5
*	31-13
BOLT, cap	20-19
BOLT, flange	14-10
*	14-11
*	19-2
*	19-3
*	19-7
*	26-33

PARTS NAME INDEX

DESCRIPTION	REF. NO.
BOLT, hexagon socket head	20-26
*	24-25
BOLT, stopper	12-9
BOLT, stud	1-4
*	1-9
*	1-10
BOLT, washer based	19-5
*	26-32
BOLT, with washer	21-24
BOOT	20-16
BOOT, cable	25-23
*	25-29
BOSS, clutch	10-7
BOSS, kick crank	9-14
BRACKET, carrier 2	22-11
BRACKET, footrest 1	26-23
BRACKET, footrest 2	26-28
BRACKET, front upper 1	14-9
BRACKET, fuel tank 2	21-7
BRACKET, lower 1	28-10
BRACKET, meter	27-3
BRACKET, seat	22-3
*	22-4
BRAKE SHOE COMP.	23-7
*	24-8
BREATHER	7-7
BULB (6V-25/25W)	28-2
BULB, tail lamp (6V-5W)	29-2
BUSH	17-5
BUSH, rear shock absorber	18-3
BUSH, shock absorber lower	18-12
BUSH, solid	17-8
*	18-13
*	24-34
C.D.I. MAGNETO ASSY	3-1
C.D.I. UNIT ASSY	3-23
CABLE, brake	25-22
CABLE, clutch	25-28
CABLE, throttle 1	25-20
*	25-20
CAMSHAFT	23-9
*	24-10
CAP, bolt	20-20
CAP, case	18-8
CAP, cleaner case 1	4-12
CAP, gear	25-17
CAP, grip lower	25-7
*	25-15
CAP, grip upper	25-6

PARTS NAME INDEX

DESCRIPTION	REF. NO.
CAP, grip upper	25-14
CAP, Plunger	5-19
CAP, rubber	25-21
CAP, silencer	6- 8
CARBURETOR ASSY 1	5- 1
CARRIER BOX ASSY	22-10
CASE, chain	17-17
CHAIN drive (DID520DS 100L)	24-30
CIRCLIP	2-11
*	9- 3
*	9- 8
*	9-11
*	11- 7
*	11-16
*	11-18
*	13-15
*	18-23
*	26- 9
*	33- 5
*	33-10
*	33-15
*	33-20
*	33-25
CLAMP	3-10
*	4- 9
*	19-13
*	27-11
*	28-22
*	29- 5
CLAMP, hose	4-10
*	4-20
*	6-13
CLIP	4-19
*	5- 4
*	5-37
*	9- 6
*	21-28
*	27- 6
CLIP, Pipe	5-44
CLIP, Plunger	5-20
CLUTCH ASSY	10- 5
COIL, lighting 1	3- 6
COIL, Pulser	3- 7
COIL, source	3- 4
*	3- 5
COLLAR	6-15
*	7- 3
*	11-30

PARTS NAME INDEX

DESCRIPTION	REF. NO.
COLLAR	15-13
*	21-26
*	24-32
*	26- 6
COLLAR, screw	28-14
CONNECTING ROD ASSY	33-26
CONNECTOR	5- 5
COVER	14-20
*	18-16
COVER, ball race 2	19-10
COVER, caP grip	25- 9
COVER, crankcase 1	8- 1
COVER, crankcase 2	8- 9
COVER, crankcase 3	8-12
COVER, dust seal	20- 7
COVER, headlight	28- 6
COVER, hub dust	24-33
COVER, kick lever	9-18
COVER, Plunger caP	5-18
COVER, semi-double seat	22- 2
COVER, shift Pedal	13- 6
COVER, side (L.H)	16- 1
COVER, side (R.H)	16- 7
COVER, thrust 1	17-11
*	18-32
CRANK 1	2- 2
CRANK 2	2- 3
CRANKCASE 1	7- 1
CRANKCASE 2	7- 2
CRANKSHAFT ASSY	2- 1
CROWN, handle	19- 1
CUP, filter	21-16
CYLINDER COMP, front fork	20- 9
CYLINDER 1	1- 6
DAMPER	3-25
*	27- 2
*	28-13
*	28-15
DAMPER 1	15-17
DAMPER 2	15-18
*	27- 4
DAMPER, locating 1	16- 9
*	21-30
DAMPER, locating 2	21- 2
DAMPER, locating 3	21-31
DAMPER, seat	22- 5
DAMPER, sub tank	18-34
DUCT	4-24

PARTS NAME INDEX

DESCRIPTION	REF. NO.
DUMPER SUB ASSY	18- 2
ELEMENT, air cleaner	4-16
EMBLEM	16- 2
*	16- 8
EMBLEM, headlight	28- 9
EXHAUST PIPE ASSY 1	6- 1
FENDER, front	15- 1
FLANGE, sPacer	24- 3
FLANGE, sPacer 2	23- 3
FLAP	15-15
FLOAT	5- 2
FOOTREST 1	26-22
FOOTREST 2	26-27
FORK, shift 1	12-10
FORK, shift 2	12-11
FORK, shift 3	12-12
FRAME COMP	14- 1
FRONT FORK ASSY	20- 1
FUEL COCK ASSY 1	21-11
FUEL TANK COMP.	21- 1
GASKET	7-11
*	8- 8
*	20-12
*	20-24
*	21-17
*	33-38
*	33-41
GASKET KIT	33-32
GASKET 1	8-10
*	33-42
GASKET, caP	21-23
GASKET, crankcase cover	8- 2
*	33-39
GASKET, cylinder	1- 8
*	33-34
GASKET, cylinder head 1	1- 3
*	33-33
GASKET, drain Plug	20-25
GASKET, exhaust Pipe	6- 2
*	33-37
GASKET, float chamber	5-26
*	33-35
GASKET, muffler	6-12
GASKET, valve seat	4- 5
*	33-36
GEAR UNIT ASSY	23-19
GEAR, bevel	25-16
GEAR, kick (25T)	9- 5

PARTS NAME INDEX

DESCRIPTION	REF. NO.
GEAR, Primary drive (17T)	10- 1
GEAR, sProcket idle (25T)	9- 1
GEAR, 1st wheel (34T)	11- 9
GEAR, 2nd Pinion (13T)	11- 2
GEAR, 2nd wheel (27T)	11-10
GEAR, 3rd wheel (24T)	11-11
GEAR, 3rd/4th Pinion (16T,21T) ..	11- 3
GEAR, 4th wheel (25T)	11-12
GEAR, 5th Pinion (20T)	11- 4
GEAR, 5th wheel (20T)	11-13
GEAR, 6th Pinion (22T)	11- 5
GEAR, 6th wheel (18T)	11-14
GRAPHIC SET	21-32
GRIP (L.H)	25- 2
GRIP (R.H)	25- 3
*	25-10
GROMMET	4-23
*	6-14
*	15-12
*	16- 6
*	16-13
*	18-33
*	25-13
GUARD, brush 1	25-35
GUARD, brush 2	25-40
GUARD, mud	15-14
GUIDE	4-17
GUIDE, cable	5-39
*	20-22
GUIDE, sPring 1	18-20
GUIDE, sPring 2	18-21
HANDLEBAR	25- 1
HEAD, cylinder 1	1- 1
HEADLIGHT UNIT ASSY	28- 1
HOLDER	5-17
*	7-12
HOLDER, cable	19-12
HOLDER, cable 1	19-18
HOLDER, damPer	21- 3
HOLDER, handle uPPer	19- 6
HOLDER, kick gear	9- 7
HOLDER, lever lower 1	31- 2
*	31-10
HOLDER, lever 1	31- 1
HOLDER, lever 2	31- 9
HOLDER, nozzle	5-15
HOLDER, sub tank	18-35
HOSE	5-33

PARTS NAME INDEX

DESCRIPTION	REF. NO.
HOSE	7- 8
*	21-27
*	21-29
HOUSING, seal ring	18- 7
HUB, front	23- 1
HUB, rear	24- 1
IGNITION COIL ASSY	30- 1
INNER TUBE COMP.1	20- 8
JET, main (#082.5)	5-53
JET, main (#200)	5-45
JET, main (#210)	5-45
JET, main (#220)	5-45
JET, Pilot (#60.0)	5-49
JOINT, cable	25-26
JOINT, carburetor	4- 6
JOINT, chain	24-31
KEY, straight	2-17
*	12- 5
KEY, woodruff	2-18
KICK AXLE ASSY	9- 4
KICK CRANK ASSY	9-13
LEAD WIRE ASSY	3- 9
LENS ASSY	28- 4
LENS, taillight	29- 3
LEVER 1	31- 3
LEVER 2	31-11
LEVER, camshaft	24-11
LEVER, camshaft 1	23-10
LEVER, cock	21-12
NEEDLE	5-46
NEEDLE VALVE ASSY	5-51
NET, filter	21-18
NOZZLE, main	5-47
NUT	1- 5
*	1-11
*	1-12
*	3-20
*	9-20
*	10- 3
*	10-17
*	10-22
*	11-32
*	17- 3
*	17-16
*	18-18
*	18-26
*	19-11
*	19-16

PARTS NAME INDEX

DESCRIPTION	REF. NO.
NUT	19-21
*	20-28
*	24-13
*	25-31
*	25-38
*	25-43
*	26-20
*	26-35
NUT, adjusting	18-14
NUT, cable adjusting	5- 7
*	5-41
NUT, castle	23-22
*	24-36
NUT, flange	19- 4
NUT, nylon	14- 7
NUT, self-locking	14-14
*	24-26
*	28-20
NUT, u	6-24
*	17-34
*	26-26
*	26-31
*	31- 6
*	31-14
NUT, wing	4-15
*	26-17
O-RING	5-14
*	5-27
*	5-38
*	5-40
*	8- 6
*	10- 4
*	20-23
*	21-15
*	21-19
*	33-40
*	33-43
OIL SEAL	2-15
*	2-16
*	9-12
*	10-27
*	11-24
*	13-11
*	17- 7
*	17-12
*	20- 5
*	24- 6
*	33-45

PARTS NAME INDEX

DESCRIPTION	REF. NO.
OIL SEAL	33-46
*	33-47
*	33-48
*	33-49
*	33-50
OIL SEAL KIT	33-44
PEDAL, brake	26- 1
*	26- 2
PEDAL, shift	13- 4
*	13- 5
PIN	13- 7
PIN, clevis	9-17
*	18-29
*	24-14
*	24-39
*	25-24
*	26- 4
*	26-11
PIN, cotter	5-16
*	9-19
*	18-28
*	18-31
*	23-23
*	24-16
*	24-38
*	24-40
*	25-27
*	26- 7
*	26-13
PIN, crank 1	2- 5
*	33-28
PIN, dowel	1-13
*	7- 4
*	8- 4
*	10-29
*	13-12
*	18-15
PIN, float	5-31
PIN, Piston	2-10
*	33- 4
*	33- 9
*	33-14
*	33-19
*	33-24
PIN, straight	12-13
PIPE	5-11
*	5-23
PISTON (STD)	2- 8

PARTS NAME INDEX

DESCRIPTION	REF. NO.
PISTON (STD)	2- 8
*	33- 2
*	33- 2
PISTON (1ST O/S 0.25MM)	2- 8
*	33- 7
PISTON (2ND O/S 0.50MM)	2- 8
*	33-12
PISTON (3RD O/S 0.75MM)	2- 8
*	33-17
PISTON (4TH O/S 1.00MM)	2- 8
*	33-22
PISTON ASSY (STD)	33- 1
PISTON ASSY (1ST O/S)	33- 6
PISTON ASSY (2ND O/S)	33-11
PISTON ASSY (3RD O/S)	33-16
PISTON ASSY (4TH O/S)	33-21
PISTON RING SET (STD)	2- 9
*	33- 3
PISTON RING SET (1ST O/S)	2- 9
*	33- 8
PISTON RING SET (2ND O/S)	2- 9
*	33-13
PISTON RING SET (3RD O/S)	2- 9
*	33-18
PISTON RING SET (4TH O/S)	2- 9
*	33-23
PLATE	5- 3
*	5-24
PLATE, bearing cover	11-27
PLATE, brake shoe	23- 6
*	24- 7
PLATE, clutch 2	10- 8
PLATE, cover	11-25
PLATE, element fitting	4-18
PLATE, friction	10- 9
PLATE, Pressure 1	10-10
PLATE, Push	10-20
PLATE, side 1	12- 3
PLUG	7- 9
*	14- 2
*	17- 4
PLUG CAP ASSY	30- 4
*	30- 4
PLUG, drain	20-31
PLUG, oil level	8- 5
PLUG, screw	5-13
*	5-28
PLUG, sPark (CHAMPION N2G)	1-14

PARTS NAME INDEX

DESCRIPTION	REF. NO.
PLUG, straight screw	7-10
PLUNGER, starter	5-22
PRIMARY DRIVEN GEAR COMP.(52T)	10- 6
PROTECTOR, chain	17-35
PROTECTOR, engine	14-15
PULLER, chain 1	24-28
PULLER, chain 2	24-29
PUSH LEVER ASSY	10-24
REAR ARM COMP.	17- 1
REAR FENDER COMP.	15- 6
REED VALVE ASSY	4- 1
REED, valve	4- 2
RIM (1.60-21)	23-13
RIM (1.85-18)	24-18
RIM, headlight	28- 3
R VNG, leaf	25- 5
*	25-12
RING, snap	20- 4
ROD, brake	26-10
ROD, connecting	2- 4
*	33-27
ROD, Push	18- 5
ROD, Push 1	10-23
ROD, Push 2	10-18
ROTOR ASSY	3- 2
SCREW	21-21
SCREW, air adjusting	5-50
SCREW, bind	25-18
SCREW, boot band	20-32
SCREW, flat head	11-28
*	12- 6
SCREW, lever fitting	21-13
SCREW, Pan head	3-11
*	3-13
*	3-15
*	3-17
*	3-18
*	5- 9
*	5-34
*	5-42
*	7-13
*	8- 3
*	8- 7
*	8-11
*	8-13
*	8-15
*	16- 4
*	16-11

PARTS NAME INDEX

DESCRIPTION	REF. NO.
SCREW, Pan head	17-18
*	17-30
*	18- 4
*	18-36
*	19-14
*	19-19
*	25- 8
*	25-19
*	25-36
*	25-41
*	28-11
*	28-17
*	28-19
*	29- 4
*	30- 2
*	31- 7
*	31-15
*	31-18
SCREW, Pan head with washer	4- 4
SCREW, tapping	4-25
SCREW, throttle	5- 8
SCREW, with washer	10-12
SEAL	4-13
*	4-26
*	15-19
SEAL 1	14-16
SEAL, camshaft	23-12
*	24-17
SEAL, dust	18- 6
*	20- 6
SEAL, Guard	17-13
SEAL, mud Guard	15-16
SEAT, sPring	5- 6
*	26-16
SEAT, sPring lower	18-22
SEAT, sPring upper	18-17
*	20-15
SEGMENT	12- 2
SEMI-DOUBLE SEAT ASSY	22- 1
SHAFT	14- 4
SHAFT, Pivot	17-14
SHIFT CAM ASSY	12- 1
SHIFT SHAFT ASSY	13- 1
SHIM (0.3T)	17-10
SHIM (0.5T)	9- 2
SHOCK ABSORBER ASSY, rear	18- 1
SILENCER, exhaust	6- 7
SOCKET CORD ASSY	28- 5

PARTS NAME INDEX

DESCRIPTION	REF. NO.
SOCKET CORD ASSY	29- 1
SPACER	3- 8
*	9- 9
*	10-14
*	13-13
*	17-21
*	23- 2
SPACER, bead	23-18
*	24-23
SPACER, bearing	24- 2
SPANNER, sPecial	22-16
SPEEDOMETER ASSY	27- 1
*	27- 1
SPEEDOMETER CABLE ASSY	27-10
SPINDLE, taPer	20-11
SPOKE SET, front	23-14
SPOKE SET, rear	24-19
SPRING	18-19
*	21-14
*	32- 1
*	32- 1
SPRING, air adjusting	5-12
SPRING, compression	9-15
*	10-11
*	26-15
SPRING, front fork	20-14
*	32- 2
*	32- 2
SPRING, lens fitting	28- 7
SPRING, Plunger	5-21
SPRING, rebound	20-10
SPRING, tension	6- 3
*	23- 8
*	24- 9
*	26-21
SPRING, throttle valve	5-25
SPRING, torsion	9-10
*	10-25
*	12- 8
*	13- 2
*	13- 8
*	13-14
*	26- 3
*	26-14
*	26-24
*	26-29
*	11-29
SPROCKET, drive (11T)	11-29
SPROCKET, drive (12T)	11-29

PARTS NAME INDEX

DESCRIPTION	REF. NO.
SPROCKET, drive (13T)	11-29
SPROCKET, driven (42T)	24-24
SPROCKET, driven (44T)	24-24
SPROCKET, driven (46T)	24-24
STAND, side	26-18
STAY 2	4-14
STAY, muffler 1	6- 4
STAY, muffler 2	6-19
STOPPER LEVER ASSY	12- 7
STOPPER, bump	18- 9
STOPPER, reed valve	4- 3
SUPPORT, bump stoP	18-10
SUPPORT, chain	17-23
SWITCH, handle 3	31-17
TENSIONER	14- 3
TIRE (3.00-21)	23-15
TIRE (4.10-18)	24-20
TOOL KIT	22-15
TOP, mixing chamber	5-36
TUBE (3.00-21)	23-16
TUBE (3.50-18)	24-21
TUBE, outer 1	20- 3
TUBE, outer 2	20- 2
TUBE, throttle Guide	25- 4
*	25-11
UNDER BRACKET COMP.	20-13
UPPER BRACKET SUB ASSY	18-11
VALVE, throttle 1	5-48
WASHER	2- 6
*	11-19
*	14- 8
*	14-13
*	15- 5
*	18-38
*	26- 8
*	33-29
WASHER, claw	14-12
WASHER, lock	10-16
*	11-31
WASHER, main Jet	5-29
WASHER, needle valve	5-32
WASHER, Plain	6-21
*	8-16
*	10-21
*	16-14
*	17-20
*	17-26

PARTS NAME INDEX

DESCRIPTION	REF. NO.
WASHER, Plain	17-38
*	24-27
*	25-39
*	25-44
*	26-12
WASHER, Plate	3-19
*	3-22
*	4- 8
*	6-11
*	6-23
*	8-14
*	10-13
*	10-15
*	10-26
*	11- 6
*	11-17
*	13- 9
*	14- 5
*	14-19
*	15- 2
*	15- 7
*	15-20
*	16- 3
*	16-10
*	17- 9
*	17-29
*	17-32
*	18-27
*	18-30
*	19-17
*	19-20
*	20-30
*	21- 6
*	21-20
*	21-25
*	22- 9
*	22-14
*	23-21
*	24-15
*	24-37
*	25-25
*	25-37
*	25-42
*	26- 5
*	27- 9
*	27-14
*	28-16
*	28-21

PARTS NAME INDEX

DESCRIPTION	REF. NO.
WASHER, Plate	31- 4
*	31-12
WASHER, Plate (1.0T)	11-15
WASHER, sPecial	6-16
*	27- 5
WASHER, sPring	3-12
*	3-14
*	3-16
*	3-21
*	4-22
*	5-10
*	5-35
*	5-43
*	6- 6
*	6-10
*	6-18
*	10- 2
*	14-18
*	15- 4
*	15- 9
*	15-11
*	15-22
*	16- 5
*	16-12
*	17-15
*	17-19
*	17-25
*	17-28
*	17-31
*	17-37
*	18-37
*	19-15
*	20-29
*	21- 5
*	21- 9
*	22- 8
*	22-13
*	27- 8
*	27-13
*	28-12
*	28-18
*	30- 3
*	31- 8
*	31-16
WASHER, wave	18-24
WIRE HARNESS ASSY	30- 5

PARTS NAME INDEX

DESCRIPTION	REF. NO.
-------------	-------------