



YAMAHA

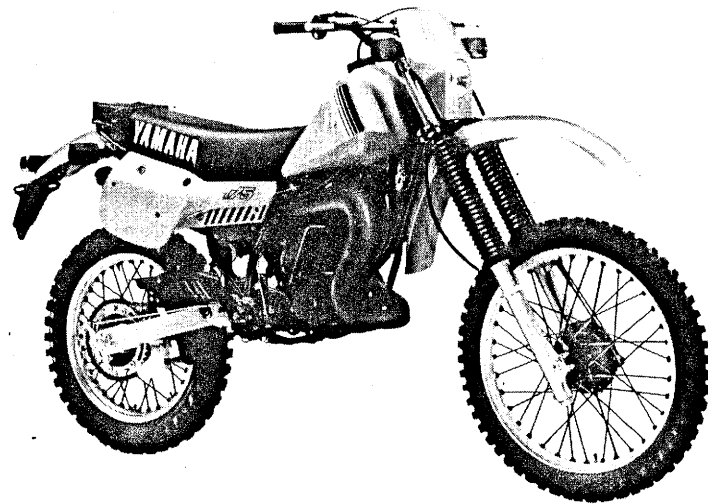
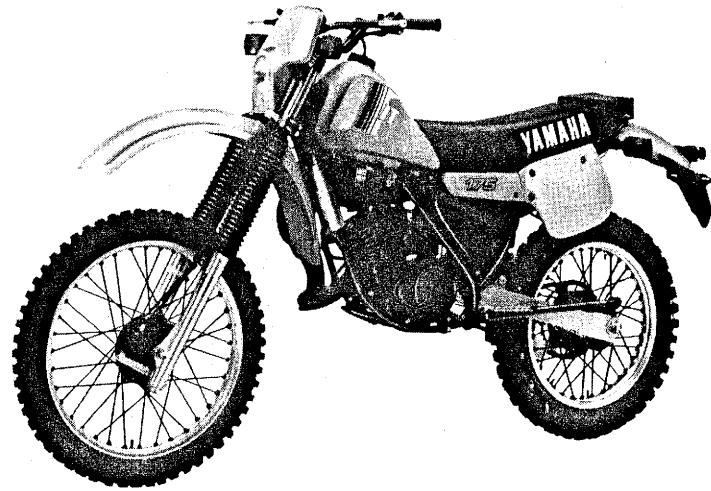
PARTS CATALOGUE

IT175J (5X9)

125X9-700E1

A2





A3

FOREWORD

This Parts Catalogue is related to the parts in use for the Yamaha IT 175J (5X9).
When you are ordering replacement parts for the IT 175J (5X9), refer to this Parts Catalogue and quote both part numbers and part names correctly.

1. Modifications or additions which have been made after issue of the Parts Catalogue will be announced in the Yamaha Parts News.

It is advisable that according to the Yamaha Parts News you make necessary corrections to the Parts Catalogue on hand to keep it up-to-date.

2. Abbreviations

The following abbreviations are used in this Parts Catalogue.

- U.R. Use size (thickness) and/or number as required.
- U.N. Use as many as you need.
- A.P. Alternate Parts
- L.M. Local Made
- F# Frame No. (Applicable machine No.)

3. The parts marked with (*) in the parts number column of this Catalogue are not supplied with by Yamaha, those have to be found locally.

4. Parts, which are to be supplied in the form of assemblies, are listed with an indentation of one letter's space, and a dot (.) is put against the name of each part.

EXAMPLE CARBURETOR ASS'Y
. JET, pilot
. NOZZLE, main

5. Indication of No. of constituent parts for assembly

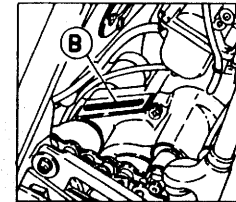
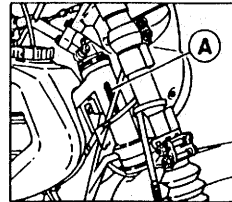
The numeral appearing to the right of each constituent part under the description indicates the quantity of such parts for each individual assembly unit.

EXAMPLE

Part No.	Description	Q'ty	Remarks
2F5-83310-60	FRONT FLASHER LIGHT ASS'Y	2	
115-83311-60	. BULB (6V-18W)	1	
1M1-83309-60	. REFLECTOR	1	

6. Initial Serial No. and Color Code

(A) Frame Serial No.	5X9-000101 and following
(B) Engine Serial No.	5X9-000101 and following



Color Code	Color Name	Abbreviate
	Sky Blue	

7. Applicable colors of graphics are represented in the "Remarks" column by the letter(s) appropriately picked out of the full word(s) showing such colors.

EXAMPLE

Part No.	Description	Q'ty	Remarks
2N4-24110-00-X5	FUEL TANK COMP.	1	MAXIM RED
3J1-24240-10	. GRAPHIC, fuel tank set	1	for MXR

CONTENTS

ENGINE

Cylinder	B2
Crankshaft · Piston	B3
C.D.I Magneto	B4
Intake	B5 ~ B6
Carburetor	B7 ~ B8
Exhaust	B9
Crankcase	B10
Crankcase Cover	B11
Kick Starter	B12
Clutch	B13
Transmission	B14 ~ B15
Shift Cam · Fork	C2
Shift Shaft · Pedal	C3

CHASSIS

Frame	C4
Front Fender · Rear Fender	C5
Side Cover	C6
Rear Arm	C7 ~ C9
Rear Suspension	C10 ~ C11
Steering	C12
Front Fork	C13 ~ C15
Fuel Tank	D2 ~ D3
Seat	D4
Front Wheel	D5
Rear Wheel	D6 ~ D7
Handlebar · Cable	D8
Stand · Footrest	D9 ~ D10
Flasher Light	D11

Meter	D12
Headlight	D13
Taillight	D14
Electrical 1	D15 ~ E2
Handle Switch · Lever	E3

ALTERNATE PARTS

Alternate (Chassis)	E4
---------------------------	----

REPAIR KIT

Repair Kit	E5 ~ E6
------------------	---------

INDEX

Numerical Index	M1 ~ M3
Parts Name Index	M11 ~ M16

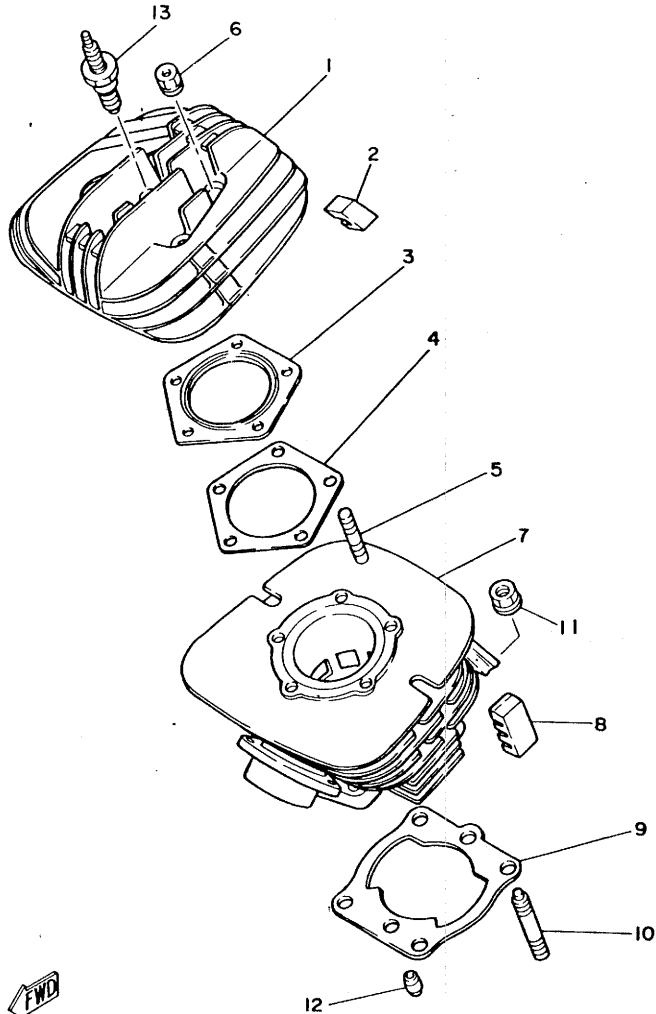


FIG. 1 CYLINDER

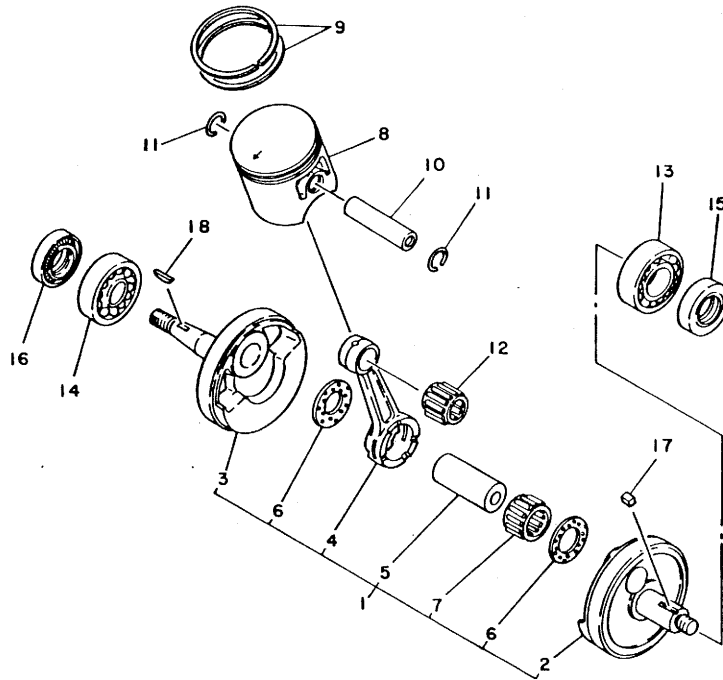
REF. NO.	PART NO.	DESCRIPTION	Q'TY	REMARKS
1	5X8-11111-00	HEAD, cylinder 1	1	
2	3R6-11161-00	ABSORBER 1	3	
3	5X8-11181-00	GASKET, cylinder head 1	1	
4	5X9-11181-00	GASKET, cylinder head 1	1	
5	90116-08394	BOLT, stud	5	
6	90179-08299	NUT	5	
7	5X8-11311-00	CYLINDER 1	1	
8	3R6-11162-00	ABSORBER 2	4	
9	4V2-11351-00	GASKET, cylinder	1	
10	90116-10278	BOLT, stud	4	
11	90179-10292	NUT	4	
12	91830-21014	PIN, dowel	2	
13	*	PLUG, sPark (CHAMPION N-86)	1	LM



5X9700-2010

B2

FIG. 2 CRANKSHAFT·PISTON



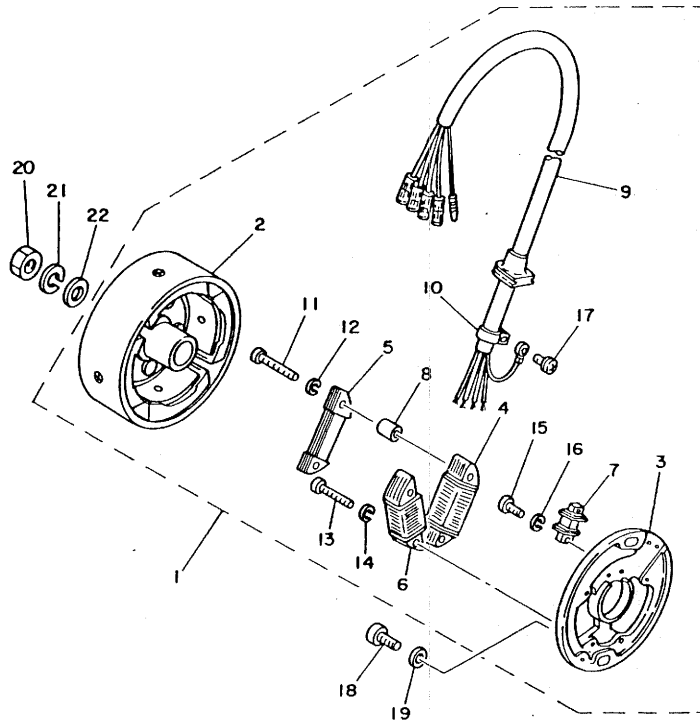
REF. NO.	PART NO.	DESCRIPTION	Q'TY	REMARKS
1	3R6-11400-00	CRANKSHAFT ASSY	1	
2	3R3-11412-00	•CRANK 1	1	
3	3R6-11422-00	•CRANK 2	1	
4	3R2-11651-00	•ROD, connecting	1	
5	3M5-11681-00	•PIN, crank 1	1	
6	90209-22071	•WASHER	2	
7	93310-422H0	•BEARING, cylindrical	1	
8	5X8-11631-00-95	PISTON (STD)	1	UR
	5X8-11631-00-96	PISTON (STD)	1	UR
	5X8-11635-00	PISTON (1ST O/S 0.25MM)	1	AP
	5X8-11636-00	PISTON (2ND O/S 0.50MM)	1	AP
	5X8-11637-00	PISTON (3RD O/S 0.75MM)	1	AP
	5X8-11638-00	PISTON (4TH O/S 1.00MM)	1	AP
9	5X8-11601-00	PISTON RING SET (STD)	1	
	5X8-11601-10	PISTON RING SET (1ST O/S)	1	AP
	5X8-11601-20	PISTON RING SET (2ND O/S)	1	AP
	5X8-11601-30	PISTON RING SET (3RD O/S)	1	AP
	5X8-11601-40	PISTON RING SET (4TH O/S)	1	AP
10	251-11633-00	PIN, Piston	1	
11	4V2-11634-00	CLIP, Piston Pin	2	
12	93310-216E1	BEARING, cylindrical	1	
13	93306-30406	BEARING (B6304C3)	1	
14	93306-20529	BEARING (B6205C4)	1	
15	93103-28126	OIL SEAL	1	
16	93102-25258	OIL SEAL	1	
17	90282-05038	KEY, straight	1	
18	90280-03017	KEY, woodruff	1	



5X8100-2020

B3

FIG. 3 C.D.I MAGNETO

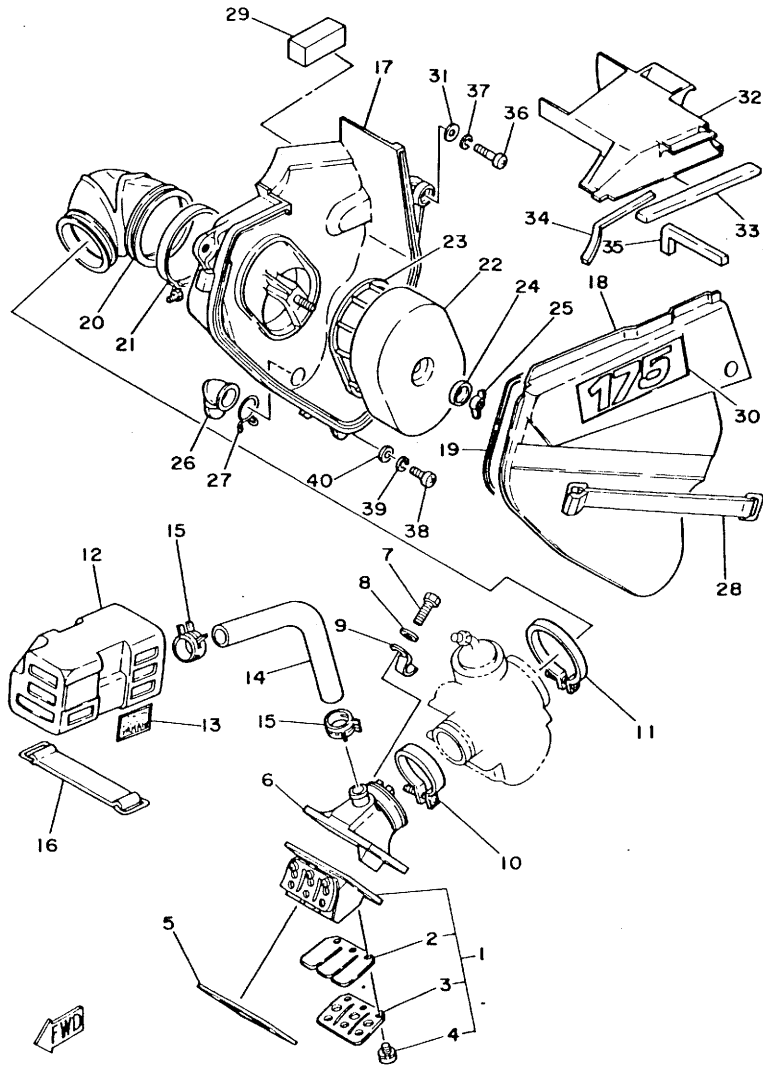


REF. NO.	PART NO.	DESCRIPTION	Q'TY	REMARKS
1	4J0-85500-20	C.D.I. MAGNETO ASSY	1	
2	3R6-85550-20	•ROTOR ASSY	1	
3	3R5-85509-20	•BASE, magneto	1	
4	3R5-85511-20	•COIL, source	1	
5	3R5-85512-20	•COIL, source	1	
6	4J0-85513-20	•COIL, lighting 1	1	
7	3R6-85580-20	•COIL, Pulser	1	
8	1W2-85516-20	•SPACER	2	
9	4J0-85515-20	•LEAD WIRE ASSY	1	
10	104-81328-20	•CLAMP	1	
11	98501-04035	•SCREW, Pan head	2	
12	92901-04100	•WASHER, sPring	2	
13	98501-04030	•SCREW, Pan head	2	
14	92901-04100	•WASHER, sPring	2	
15	98501-04014	•SCREW, Pan head	1	
16	92901-04100	•WASHER, sPring	1	
17	110-81345-21	•SCREW, Pan head	1	
18	92501-06015	SCREW, Pan head	2	
19	92901-06600	WASHER, Plate	2	
20	90170-12067	NUT	1	
21	92901-12100	WASHER, sPring	1	
22	90201-12593	WASHER, Plate	1	



5X9700-2030

B4



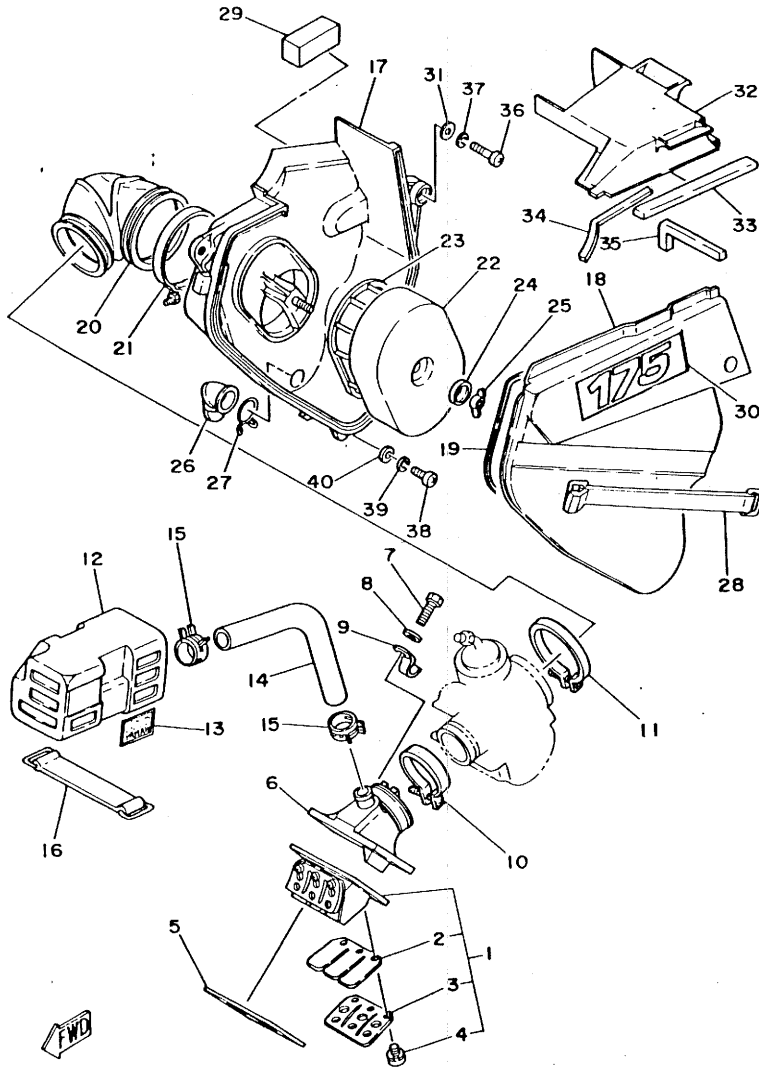
5X9700-2040

FIG. 4 INTAKE

REF. NO.	PART NO.	DESCRIPTION	Q'TY	REMARKS
1	3R6-13610-00	REED VALVE ASSY	1	
2	3R3-13613-00	•REED, valve	2	
3	3R6-13616-00	•STOPPER, reed valve	2	
4	97602-03108	•SCREW, Pan head with washer	6	
5	3R3-13621-00	GASKET, valve seat	1	
6	5X8-13565-00	JOINT, carburetor	1	
7	97301-06025	BOLT	4	
8	92901-06600	WASHER, Plate	4	
9	90462-05005	CLAMP	1	
10	90460-49058	CLAMP, hose	1	
11	90460-64065	CLAMP, hose	1	
12	5X8-13581-00	CHAMBER, air	1	
13	4V3-1441K-00	EMBLEM	1	
14	90445-21562	HOSE	1	
15	90467-20050	CLIP	2	
16	1E6-82131-00	BAND, battery	1	
17	5X3-14411-00	CASE, air cleaner 1	1	
18	5X8-14412-00	CAP, cleaner case 1	1	
19	5X4-14452-00	SEAL	1	
20	5X9-14453-00	JOINT, air cleaner 1	1	
21	90460-75020	CLAMP, hose	1	
22	5X4-W1442-00	ELEMENT, air cleaner	1	
23	5X4-14458-00	GUIDE	1	
24	2X4-14468-00	PLATE, element fitting	1	
25	90175-06012	NUT, wing	1	
26	1W1-14457-01	SEAL	1	
27	90467-20030	CLIP	1	
28	5X3-14455-00	BAND	1	

B5

FIG. 4 INTAKE

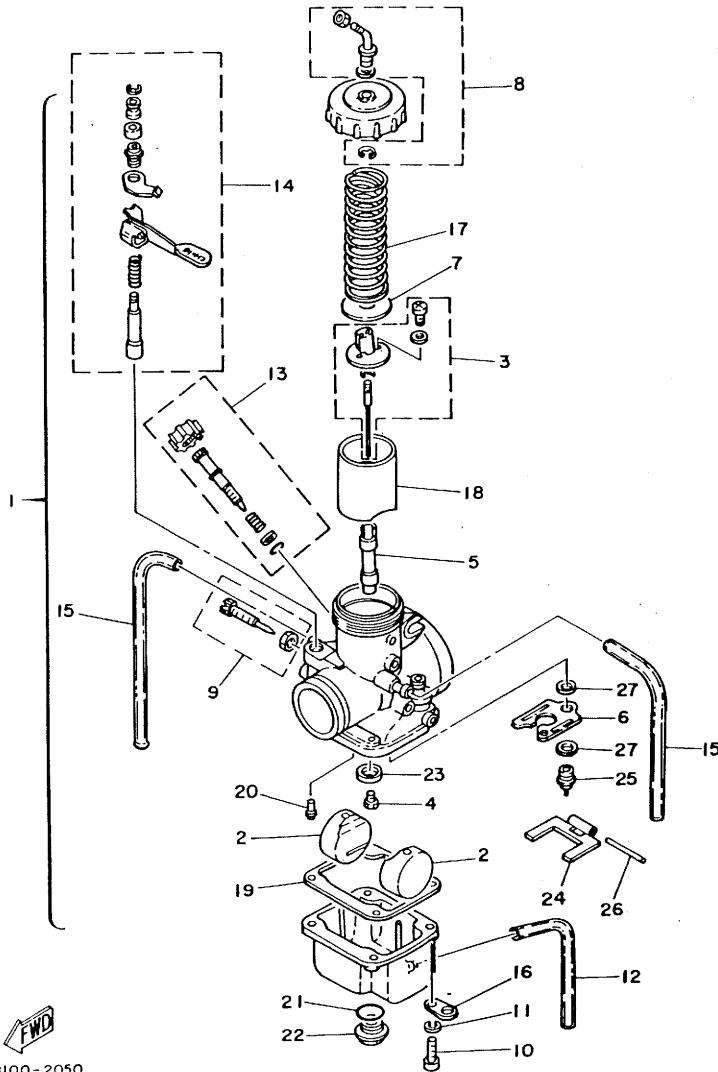


5X9700-2040

REF. NO.	PART NO.	DESCRIPTION	Q'TY	REMARKS
29	5X4-14462-00	SEAL	1	
30	5X8-21737-00	EMBLEM	1	
31	90201-06052	WASHER, Plate	1	
32	5X8-14437-00	DUCT	1	
33	5X8-14452-00	SEAL	1	
34	5X8-14457-00	SEAL	1	
35	5X8-14462-00	SEAL	1	
36	92501-06025	SCREW, Pan head	1	
37	92901-06100	WASHER, sPring	1	
38	92501-06015	SCREW, Pan head	2	
39	92901-06100	WASHER, sPring	2	
40	90201-06052	WASHER, Plate	2	

B6

FIG. 5 CARBURETOR



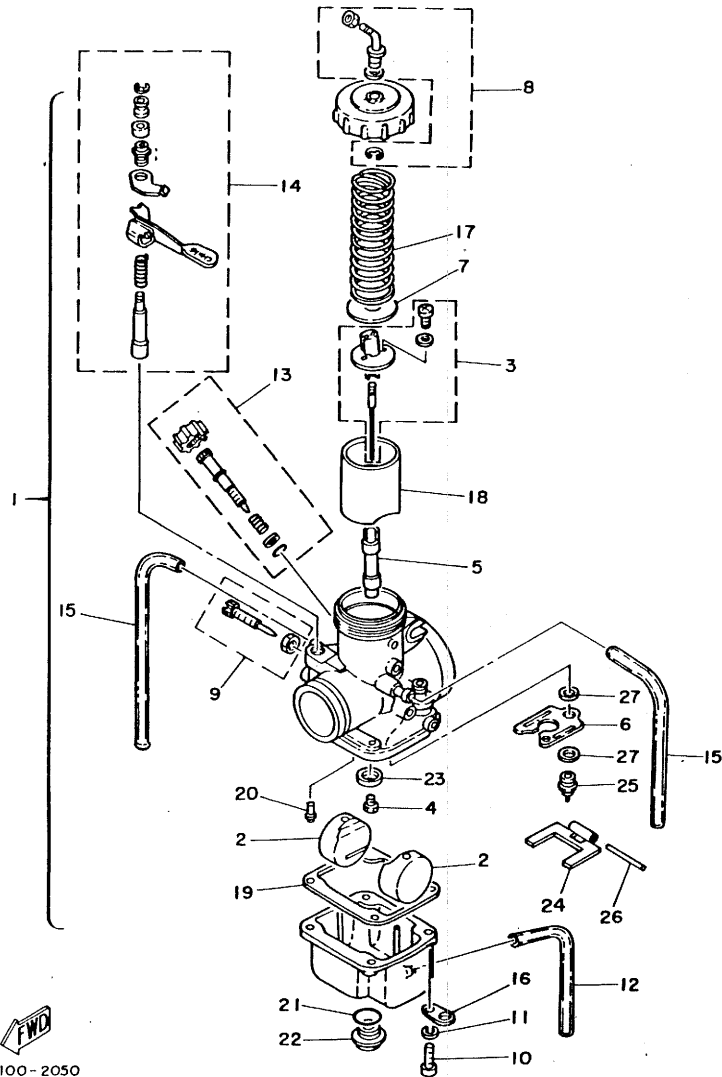
REF. NO.	PART NO.	DESCRIPTION	Q'TY	REMARKS
1	5X8-14101-00	CARBURETOR ASSY 1	1	
2	310-14185-00	.FLOAT	2	
3	239-W1418-00	.NEEDLE SET (6F21)	1	
4	137-14143-56	.JET, main (#280)	1	UR STD
	137-14143-54	.JET, main (#270)	1	UR
	137-14143-58	.JET, main (#290)	1	UR
5	239-14141-44	.NOZZLE, main (P-4)	1	
6	483-14146-00	.PLATE	1	
7	509-14136-00	.SEAT, sPrinE	1	
8	3R3-W1415-00	.ADJUSTER SET	1	
9	204-W1411-00	.THROTTLE SCREW SET	1	
10	98501-05016	.SCREW, Pan head	4	
11	92902-05100	.WASHER, sPrinE	4	
12	493-14196-00	.PIPE	1	
13	2X3-W1412-00	.AIR SCREW SET	1	
14	1W1-W1414-00	.STARTER PLUNGER SET	1	
15	310-14197-00	.PIPE	2	
16	313-14146-00	.PLATE	2	
17	363-14131-00	.SPRING, throttle valve	1	
18	5X8-14112-20	.VALVE, throttle 1	1	
19	483-14184-00	.GASKET, float chamber	1	
20	193-14142-60	.JET, Pilot (#60.0)	1	
21	558-14147-00	.O-RING	1	
22	500-14115-00	.PLUG, screw	1	
23	1G8-14153-00	.RING	1	
24	310-14187-00	.ARM, float	1	
25	239-14190-33	.NEEDLE VALVE ASSY	1	
26	127-14186-00	.PIN, float	1	

FWD
5X8100-2050

B7

FIG. 5 CARBURETOR

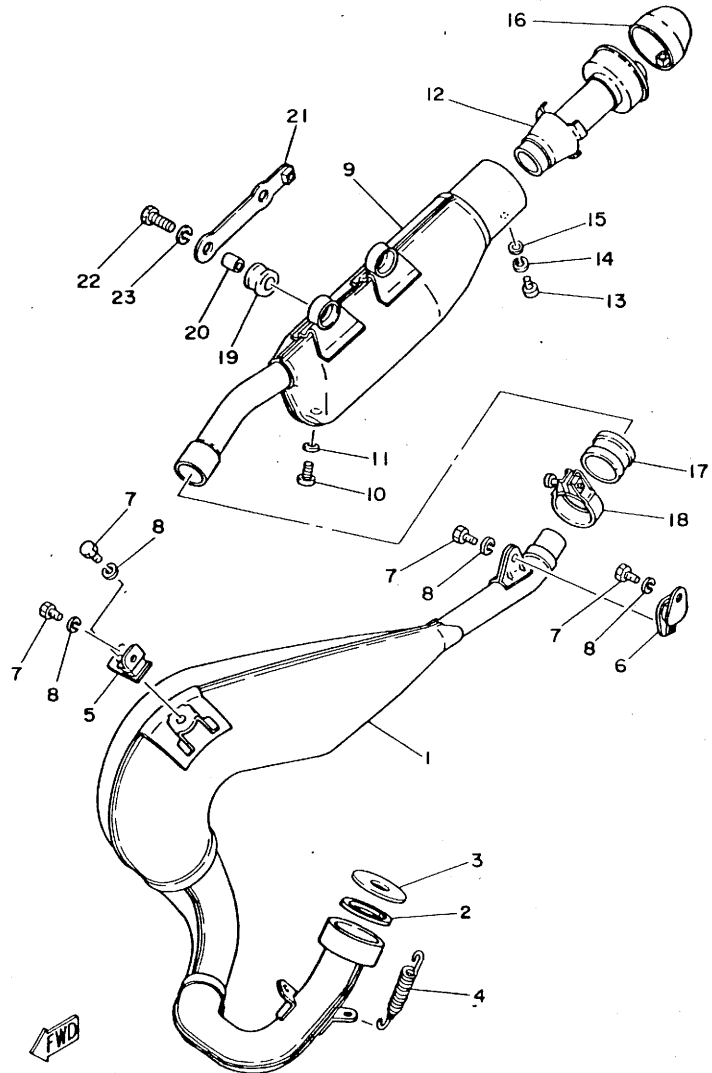
REF. NO.	PART NO.	DESCRIPTION	Q'TY	REMARKS
27	239-14195-00	*WASHER, needle valve	2	



5X8100-2050

B8

FIG. 6 EXHAUST

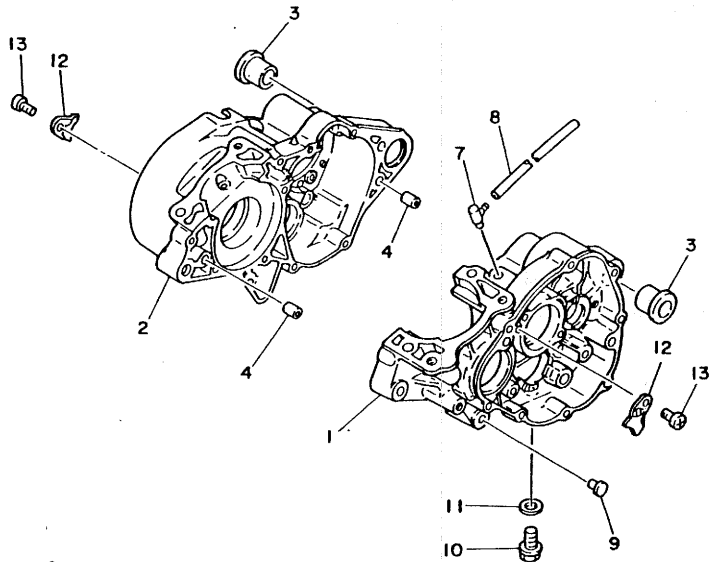
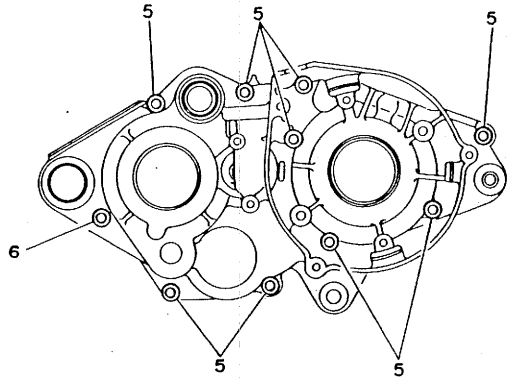


5X9700-2060

REF. NO.	PART NO.	DESCRIPTION	Q'TY	REMARKS
1	5X8-14610-00	EXHAUST PIPE ASSY 1	1	
2	3R6-14613-01	GASKET, exhaust Pipe.	1	
3	4J0-14617-00	WASHER	1	
4	90507-20030	SPRING, tension	2	
5	1M1-14772-00	STAY, muffler 2	1	
6	565-14771-00	STAY, muffler 1	1	
7	97321-06012	BOLT	4	
8	92901-06100	WASHER, sPring	4	
9	5X8-14753-00	SILENCER, exhaust	1	
10	92501-06008	SCREW, Pan head	1	
11	90202-06010	WASHER, Plate	1	
12	5X8-14752-01	PIPE, outlet	1	
13	92501-06012	SCREW, Pan head	1	
14	92901-06100	WASHER, sPring	1	
15	92901-06600	WASHER, Plate	1	
16	1W2-14787-00	CAP, silencer	1	
17	5X8-14714-00	GASKET, muffler	1	
18	90460-39202	CLAMP, hose	1	
19	90480-22269	GROMMET	2	
20	90387-081A3	COLLAR	2	
21	5X8-14771-00	STAY, muffler 1	1	
22	97301-08030	BOLT	2	
23	92901-08100	WASHER, sPring	2	

B9

FIG. 7 CRANKCASE



REF. NO.	PART NO.	DESCRIPTION	Q'TY	REMARKS
1	5X3-15111-00	CRANKCASE 1	1	
2	4V2-15121-00	CRANKCASE 2	1	
3	90387-16781	COLLAR	2	
4	91830-21014	PIN, dowel	2	
5	91316-06035	BOLT	9	
6	91316-06050	BOLT	1	
7	2N4-15371-00	BREATHER	1	
8	90445-07340	HOSE	1	
9	90338-07011	PLUG	1	
10	90340-12059	PLUG, straight screw	1	
11	90430-12038	GASKET	1	
12	3R3-15128-01	HOLDER	2	
13	92501-08010	SCREW, Pan head	2	

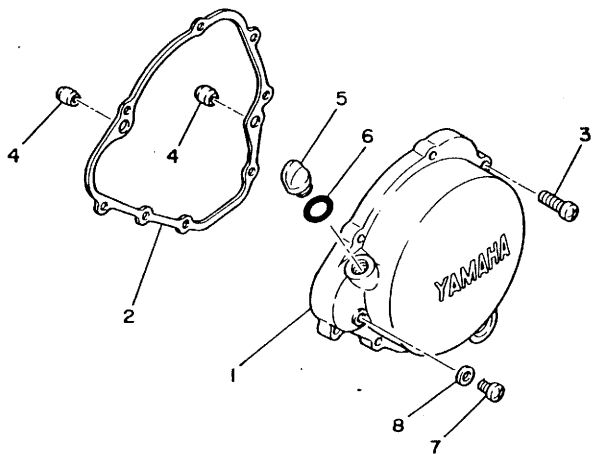
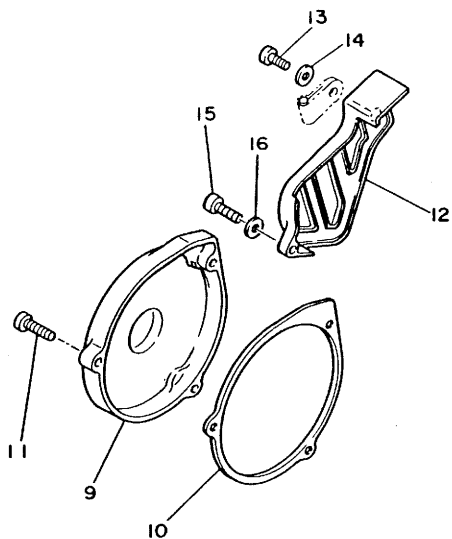


SX8100-2070

B10

FIG. 8 CRANKCASE COVER

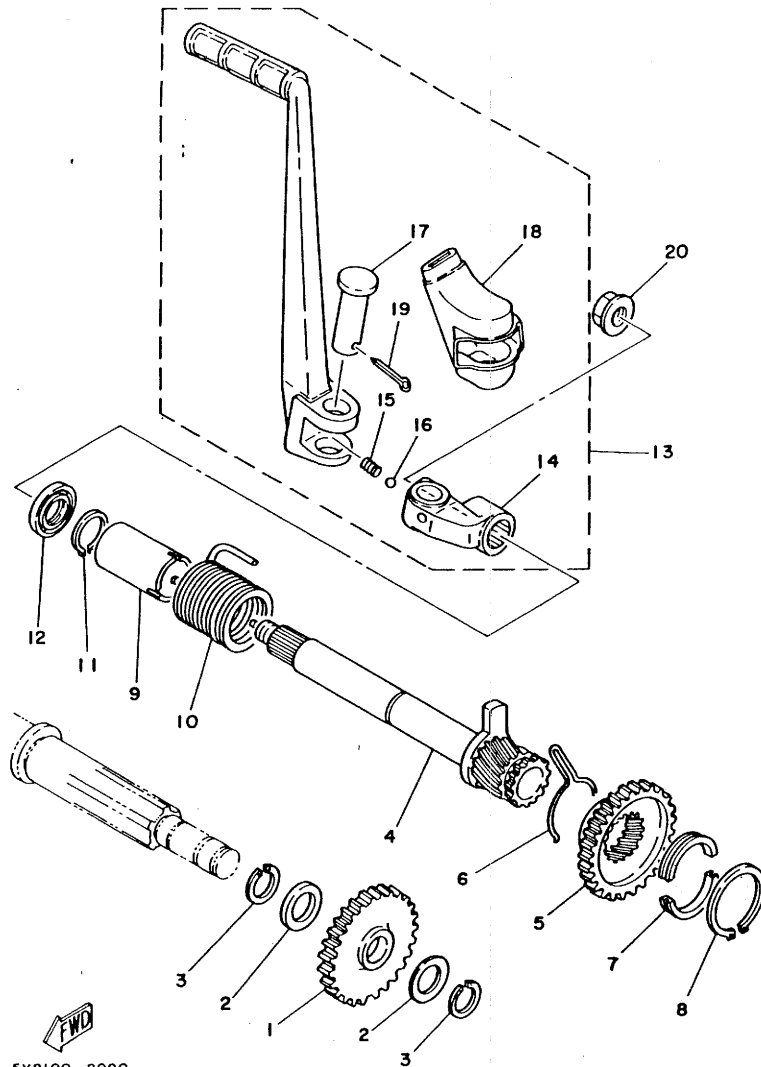
REF. NO.	PART NO.	DESCRIPTION	Q'TY	REMARKS
1	3R3-15411-00	COVER, crankcase 1	1	
2	3R3-15451-01	GASKET, crankcase cover	1	
3	92506-06025	SCREW, Pan head	8	
4	91830-21014	PIN, dowel	2	
5	1G8-15362-00	PLUG, oil level	1	
6	93210-14104	O-RING	1	
7	92506-06008	SCREW, Pan head	1	
8	90430-06016	GASKET	1	
9	3R6-15421-00	COVER, crankcase 2	1	
10	3R6-15455-00	GASKET 1	1	
11	92506-06025	SCREW, Pan head	3	
12	5X9-15431-00	COVER, crankcase 3	1	
13	92501-06015	SCREW, Pan head	1	
14	90201-06067	WASHER, Plate	1	
15	92501-06020	SCREW, Pan head	1	
16	92901-06200	WASHER, Plain	1	



5X9700-2080

B11

FIG. 9 KICK STARTER

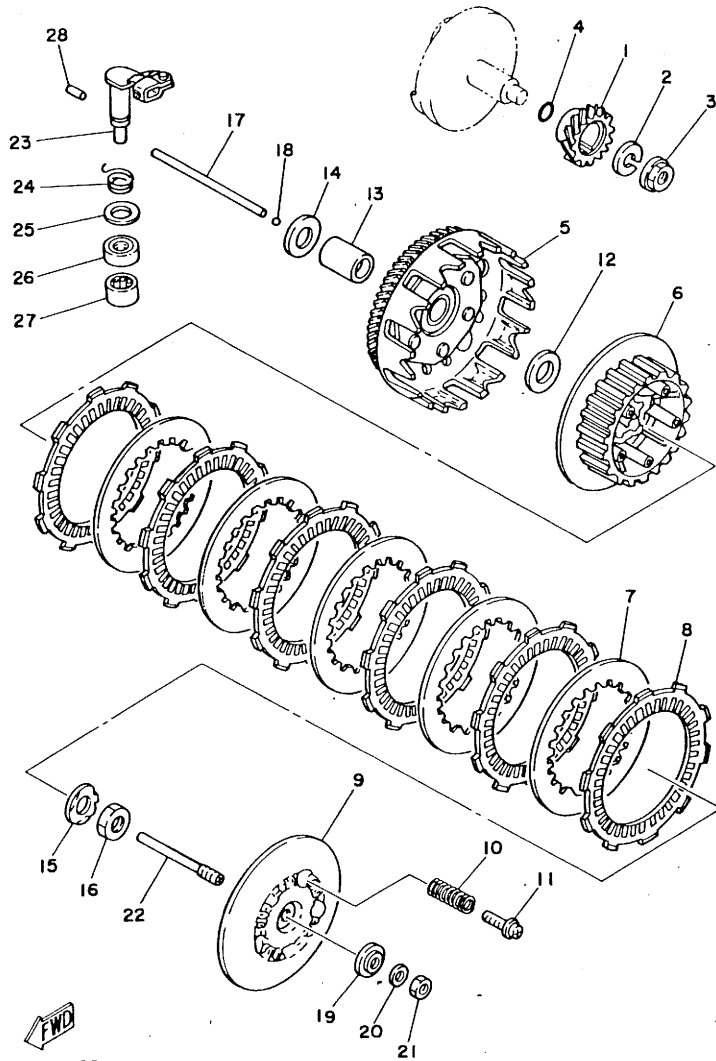


REF. NO.	PART NO.	DESCRIPTION	Q'TY	REMARKS
1	3R3-15651-01	GEAR, sProcket idle (25T)	1	
2	137-17417-00-05	SHIM (0.5T)	2	
3	93440-15012	CIRCLIP	2	
4	3R3-15660-00	KICK AXLE ASSY	1	
5	3R3-15641-00	GEAR, kick (25T)	1	
6	90468-26048	CLIP	1	
7	248-15654-00	HOLDER, kick gear	2	
8	93410-300J2	CIRCLIP	1	
9	3R3-15666-00	SPACER	1	
10	90508-26427	SPRING, torsion	1	
11	93410-17037	CIRCLIP	1	
12	93101-17062	OIL SEAL	1	
13	5X3-15620-00	KICK CRANK ASSY	1	
14	5X3-15621-00	•BOSS, kick crank	1	
15	90501-12081	•SPRING, compression	1	
16	93507-32009	•BALL	1	
17	91702-12040	•PIN, clevis	1	
18	3R3-15618-01	•COVER, kick lever	1	
19	91401-40020	•PIN, cotter	1	
20	90179-10272	NUT	1	

FWO
5X8100-2090

B12

FIG. 10 CLUTCH

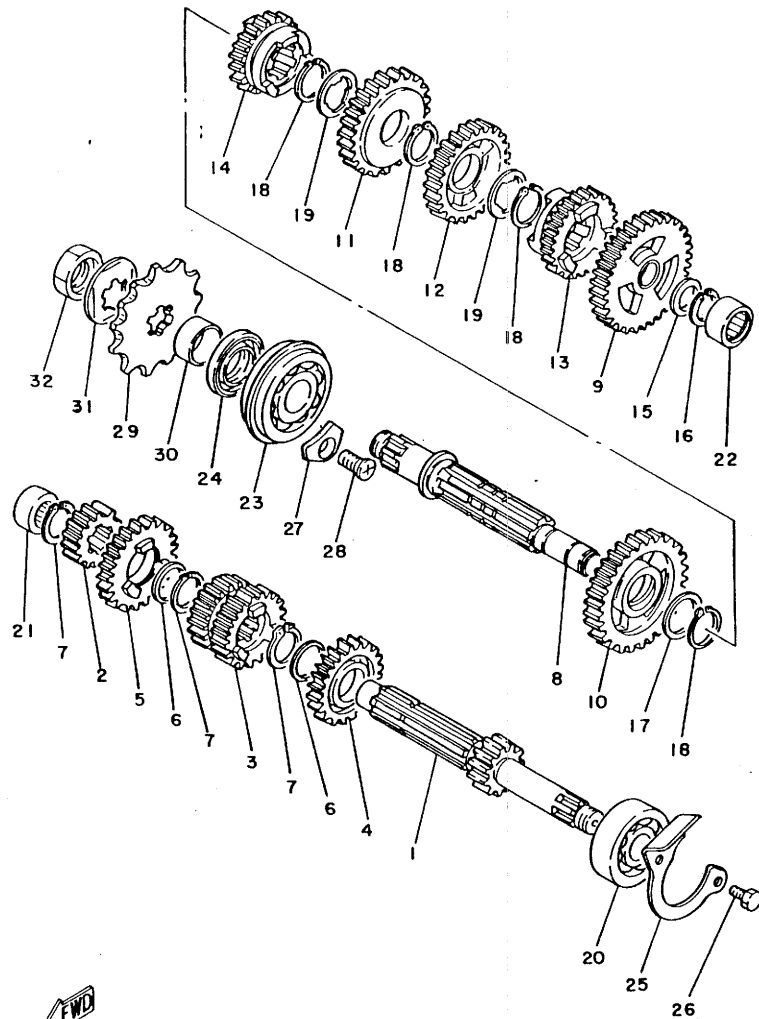


5X8100-2100

REF. NO.	PART NO.	DESCRIPTION	Q'TY	REMARKS
1	3R6-16111-00	GEAR, Primary drive (17T)	1	
2	90204-12007	WASHER, sPring	1	
3	90179-12302	NUT	1	
4	93210-20027	O-RING	1	
5	3R6-16150-00	PRIMARY DRIVEN GEAR COMP.(52T)	1	
6	1G8-16371-00	BOSS, clutch	1	
7	137-16325-70	PLATE, clutch 2	5	
8	537-16321-00	PLATE, friction	6	
9	1W1-16351-00	PLATE, Pressure 1	1	
10	90501-20361	SPRING, comPression	5	
11	90159-05011	SCREW, with washer	5	
12	90201-17550	WASHER, Plate	1	
13	90560-17190	SPACER	1	
14	90201-17550	WASHER, Plate	1	
15	90215-14144	WASHER, lock	1	
16	90170-14171	NUT	1	
17	2X3-16357-00	ROD, Push 2	1	
18	93503-16010	BALL	1	
19	1W1-16358-00	PLATE, Push	1	
20	92901-06200	WASHER, Plain	1	
21	95301-06600	NUT	1	
22	1W1-16356-01	ROD, Push 1	1	
23	3R3-16380-02	PUSH LEVER ASSY	1	
24	90508-14426	SPRING, torsion	1	
25	90201-14217	WASHER, Plate	1	
26	93104-14004	OIL SEAL	1	
27	93315-21429	BEARING, cylindrical	1	
28	93604-16092	PIN, dowel	1	

B13

FIG. 11 TRANSMISSION

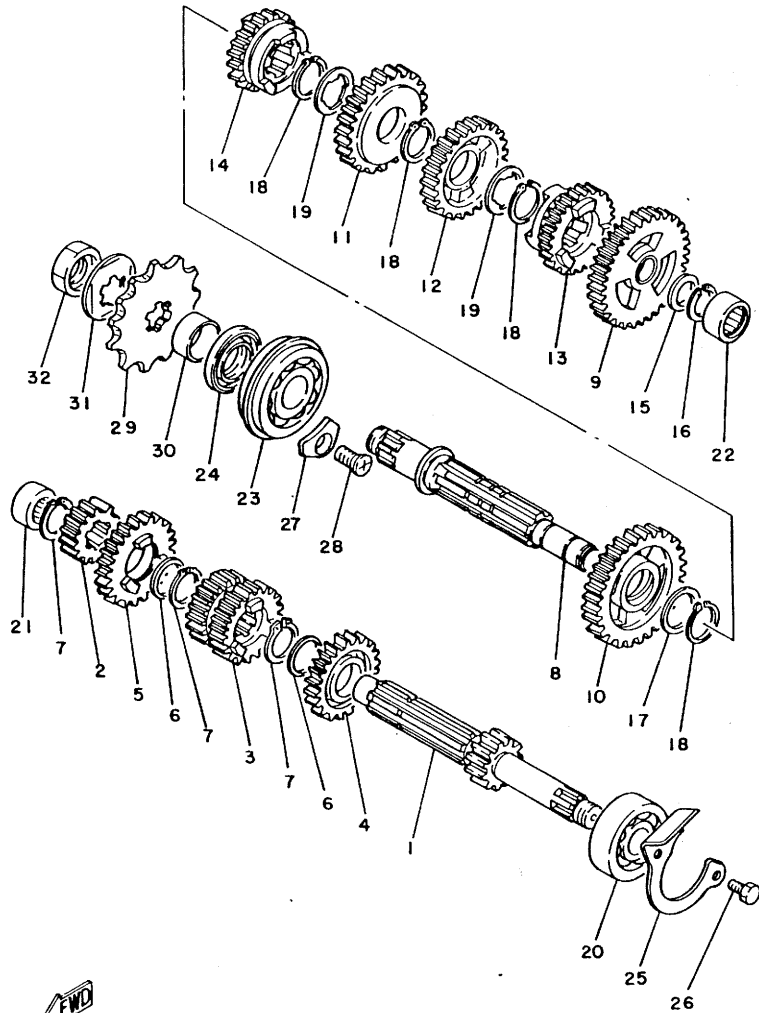


REF. NO.	PART NO.	DESCRIPTION	Q'TY	REMARKS
1	5X8-17411-00	AXLE, main (12T)	1	
2	5X4-17121-01	GEAR, 2nd Pinion (14T)	1	
3	3R3-17131-01	GEAR, 3rd/4th Pinion (16T,20T)	1	
4	3R3-17151-02	GEAR, 5th Pinion (19T)	1	
5	5X8-17161-00	GEAR, 6th Pinion (21T)	1	
6	90201-20266	WASHER, Plate	2	
7	93410-20038	CIRCLIP	3	
8	3R3-17421-00	AXLE, drive	1	
9	5X8-17211-00	GEAR, 1st wheel (33T)	1	
10	3R3-17221-01	GEAR, 2nd wheel (26T)	1	
11	3R3-17231-01	GEAR, 3rd wheel (24T)	1	
12	3R3-17241-01	GEAR, 4th wheel (25T)	1	
13	3R3-17251-02	GEAR, 5th wheel (21T)	1	
14	5X8-17261-00	GEAR, 6th wheel (19T)	1	
15	90201-15701	WASHER, Plate (1.0T)	1	
16	93440-15012	CIRCLIP	1	
17	90201-22555	WASHER, Plate	1	
18	93410-22039	CIRCLIP	4	
19	90209-18135	WASHER	2	
20	93306-30303	BEARING (B6303Z)	1	
21	93311-41530	BEARING, cylindrical	1	
22	93311-31515	BEARING, cylindrical	1	
23	93306-30411	BEARING (B6304)	1	
24	93102-26042	OIL SEAL	1	
25	3R3-17471-00	PLATE, cover	1	
26	97321-06012	BOLT	2	
27	2K7-15383-00	PLATE, bearing cover	1	
28	92701-06012	SCREW, flat head	1	

FWD
5X8100-2110

B14

FIG. 11 TRANSMISSION

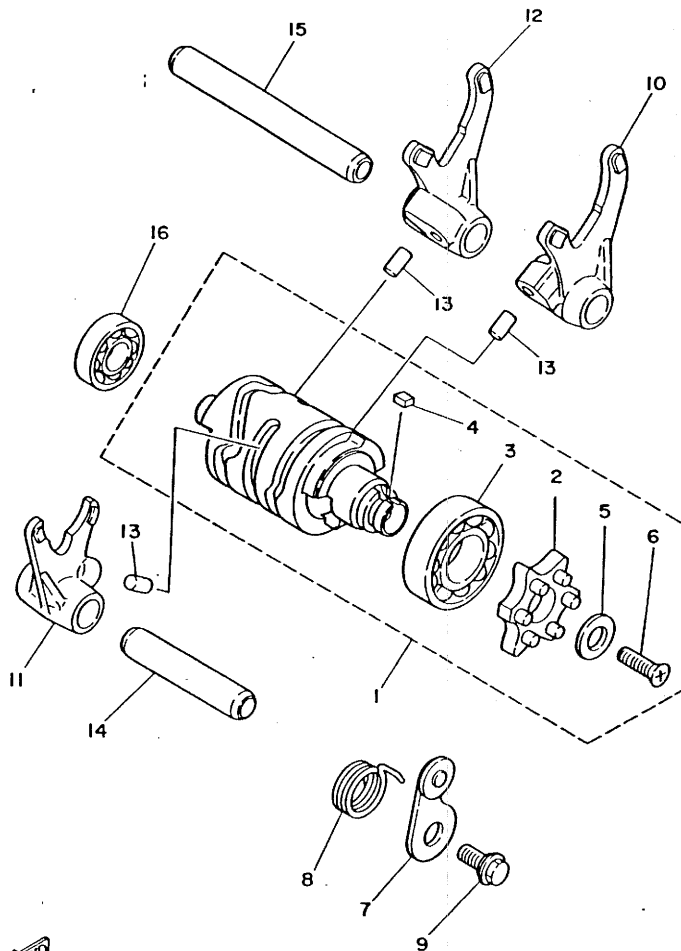


REF. NO.	PART NO.	DESCRIPTION	Q'TY	REMARKS
29	1W1-17461-20	SPROCKET, drive (12T)	1	UR STD
	1G8-17461-10	SPROCKET, drive (11T)	1	AP
	1G8-17461-30	SPROCKET, drive (13T)	1	AP
30	90387-202A0	COLLAR	1	
31	90215-16127	WASHER, lock	1	
32	90179-16226	NUT	1	

5X8100-2110

B15

FIG. 12 SHIFT CAM.FORK



REF. NO.	PART NO.	DESCRIPTION	Q'TY	REMARKS
1	5X4-18540-00	SHIFT CAM ASSY	1	
2	3R4-18185-00	•SEGMENT	1	
3	93306-00422	•BEARING	1	
4	90282-04036	•KEY, straight	1	
5	3R4-18561-00	•PLATE, side 1	1	
6	98701-05016	•SCREW, flat head	1	
7	3R3-18140-00	STOPPER LEVER ASSY	1	
8	90508-26515	SPRING, torsion	1	
9	1W1-18177-00	BOLT, stopper	1	
10	3R3-18511-00	FORK, shift 1	1	
11	3R3-18512-00	FORK, shift 2	1	
12	3R3-18513-00	FORK, shift 3	1	
13	90250-06013	PIN, straight	3	
14	3R4-18531-00	BAR, shift fork guide 1	1	
15	3R4-18535-00	BAR, shift fork guide 2	1	
16	93306-20107	BEARING (B6201)	1	

FWL
5X8100-2120

C2

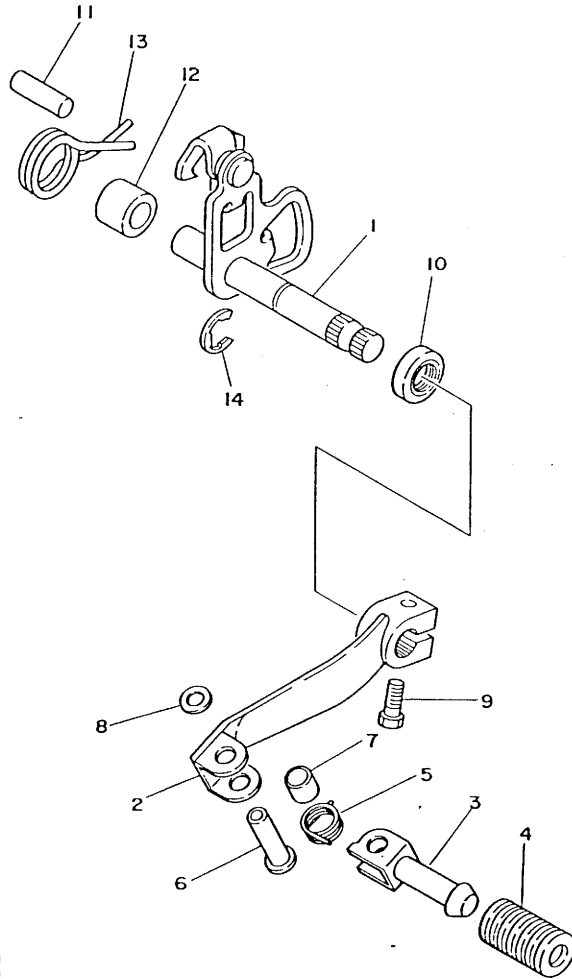


FIG. 13 SHIFT SHAFT.PEDAL

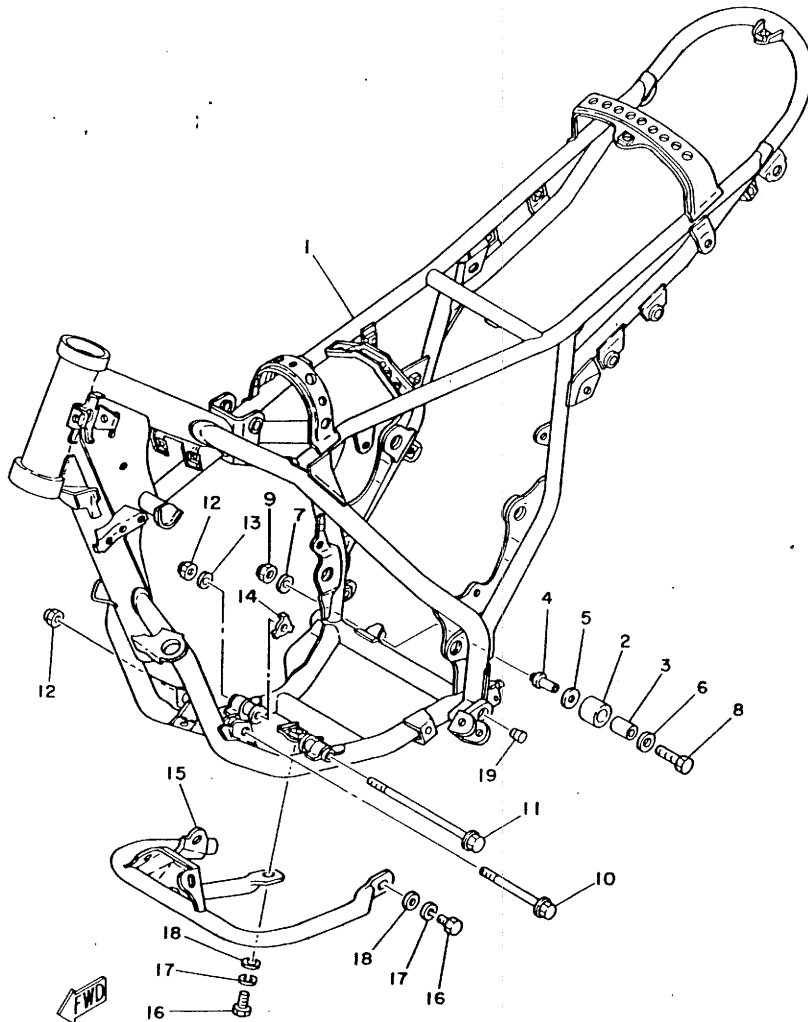
REF. NO.	PART NO.	DESCRIPTION	Q'TY	REMARKS
1	5X4-18101-00	SHIFT SHAFT ASSY.	1	
2	5X4-18111-01	PEDAL, shift	1	
3	5X4-18162-00	PEDAL, shift	1	
4	1W6-18113-00	COVER, shift Pedal	1	
5	90508-16558	SPRING, torsion	1	
6	90243-08020	PIN	1	
7	90446-11180	HOSE	1	
8	90201-06042	WASHER, Plate	1	
9	97321-06020	BOLT	1	
10	93101-12060	DIL SEAL	1	
11	93608-25150	PIN, dowel	1	
12	90560-11189	SPACER	1	
13	90508-29361	SPRING, torsion	1	
14	93430-10016	CIRCLIP	1	



5X4100-1160

C3

FIG. 14 FRAME

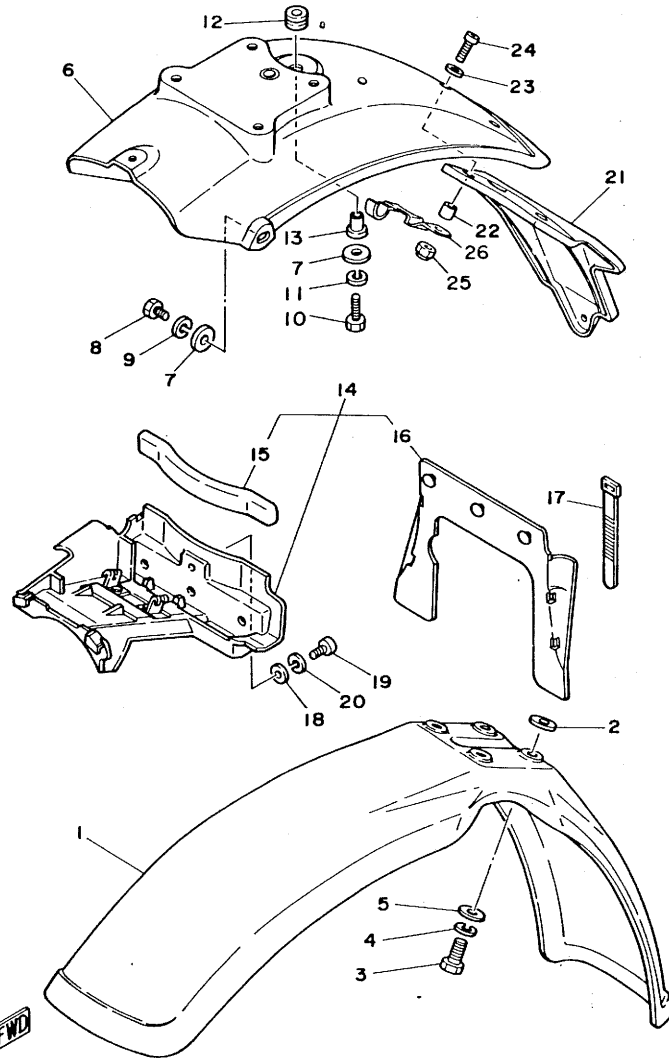


5X9700-2140

REF. NO.	PART NO.	DESCRIPTION	Q'TY	REMARKS
1	5X9-21110-00-33	FRAME COMP	1	yamaha black
2	4V4-22178-00	TENSIONER	1	
3	4V4-22184-00	BUSH	1	
4	3R3-2148A-00	SHAFT	1	
5	90201-13202	WASHER, Plate	1	
6	90201-08113	WASHER, Plate	1	
7	90201-08638	WASHER, Plate	1	
8	97302-08050	BOLT	1	
9	95602-08100	NUT, u	1	
10	95811-08100	BOLT, flange	1	
11	95811-08165	BOLT, flange	1	
12	90185-08089	NUT, self-locking	2	
13	92901-08200	WASHER, Plain	1	
14	90214-09019	WASHER, claw	1	UN
15	5X8-2147A-00	GUARD, engine 1	1	
16	97301-08016	BOLT	4	
17	92901-08100	WASHER, sPring	4	
18	92901-08600	WASHER, Plate	4	
19	90338-12131	PLUG	1	

C4

FIG. 15 FRONT FENDER-REAR FENDER

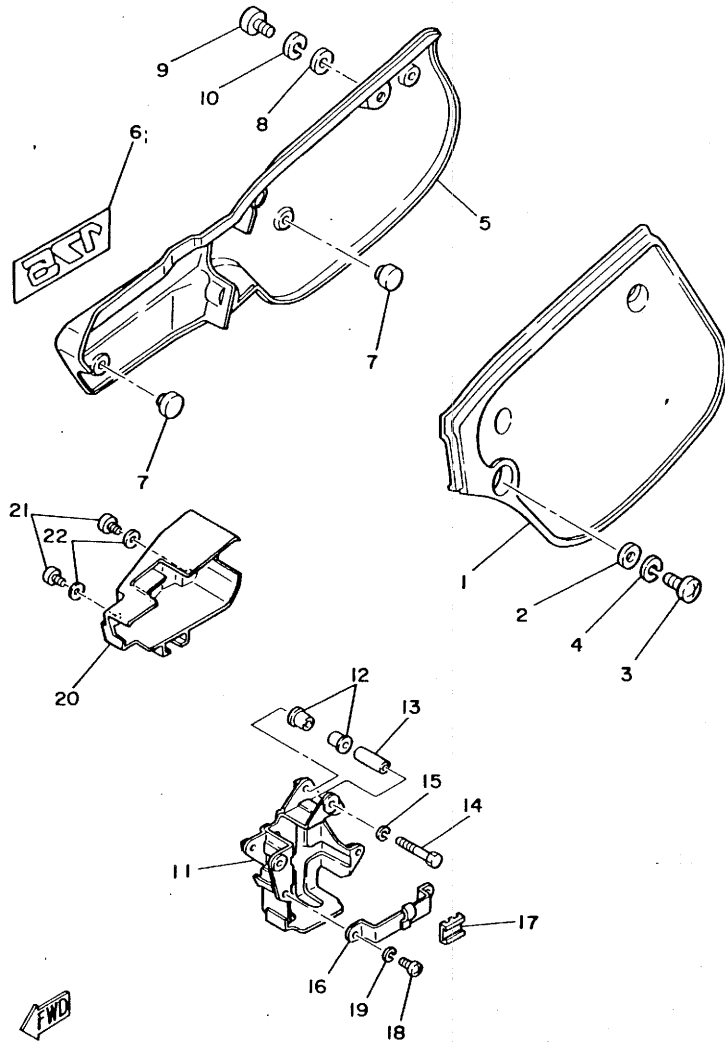


5X9700-2150

C5

REF. NO.	PART NO.	DESCRIPTION	Q'TY	REMARKS
1	3R9-21511-10	FENDER, front	1	sky blue
2	90201-06557	WASHER, Plate	4	
3	97302-06020	BOLT	4	
4	92902-06100	WASHER, sPrin&	4	
5	90209-06187	WASHER	4	
6	5Y0-21610-00	REAR FENDER COMP.	1	sky blue
7	90201-06755	WASHER, Plate	3	
8	97301-06014	BOLT	3	
9	92901-06100	WASHER, sPrin&	3	
10	97301-06025	BOLT	1	
11	92901-06100	WASHER, sPrin&	1	
12	90480-14198	GROMMET	1	
13	90387-06388	COLLAR	1	
14	5Y0-21620-00	MUD GUARD COMP.	1	
15	565-21746-00	.SEAL, mud Guard	1	
16	5X3-21642-00	.GUARD, flap	1	
17	437-83936-00	BAND, switch cord	4	
18	90201-06571	WASHER, Plate	1	
19	92501-06015	SCREW, Pan head	1	
20	92901-06100	WASHER, sPrin&	1	
21	5Y0-21685-00	BRACKET, license	1	
22	90387-07391	COLLAR	3	
23	90201-061E8	WASHER, Plate	3	
24	92506-06025	SCREW, Pan head	3	
25	95701-06100	NUT, flan&	3	
26	5Y0-21637-00	CLAMP, wire	1	

FIG. 16 SIDE COVER

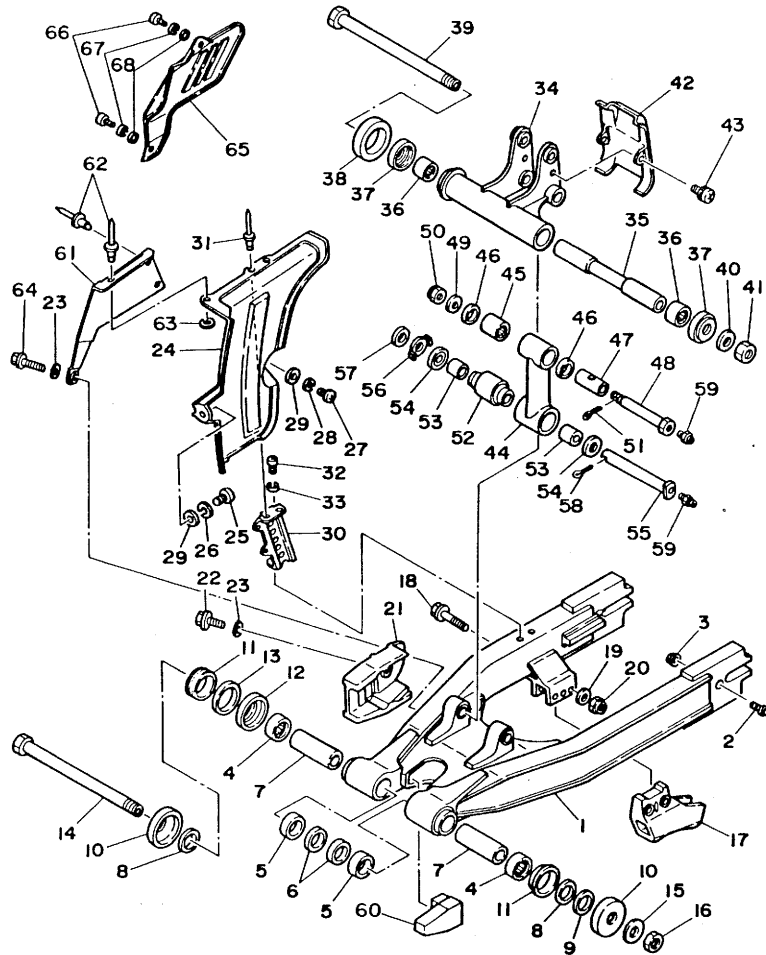


FWD
5x9700-2160

C6

REF. NO.	PART NO.	DESCRIPTION	Q'TY	REMARKS
1	5X8-21711-00-26	COVER, side 1	1	competition yellow /sky blue
2	90201-06571	WASHER, Plate	2	
3	92501-06015	SCREW, Pan head	2	
4	92901-06100	WASHER, sPring	2	
5	5X8-21721-00-26	COVER, side 2	1	competition yellow /sky blue
6	5X8-21737-00	EMBLEM	1	
7	431-24181-00	DAMPER, locating 1	3	
8	90201-06571	WASHER, Plate	2	
9	92501-06015	SCREW, Pan head	2	
10	92901-06100	WASHER, sPring	2	
11	4J0-21170-00	BOX COMP.	1	
12	90480-15279	GROMMET	4	
13	90387-06574	COLLAR	2	
14	97301-06045	BOLT	2	
15	92901-06100	WASHER, sPring	2	
16	4J0-2176E-00	PLATE	1	
17	4J2-21773-00	GROMMET	2	
18	92501-06012	SCREW, Pan head	2	
19	92902-06100	WASHER, sPring	2	
20	5Y0-2177A-00	BOX	1	
21	92506-06012	SCREW, Pan head	2	
22	90201-061E8	WASHER, Plate	2	

FIG. 17 REAR ARM

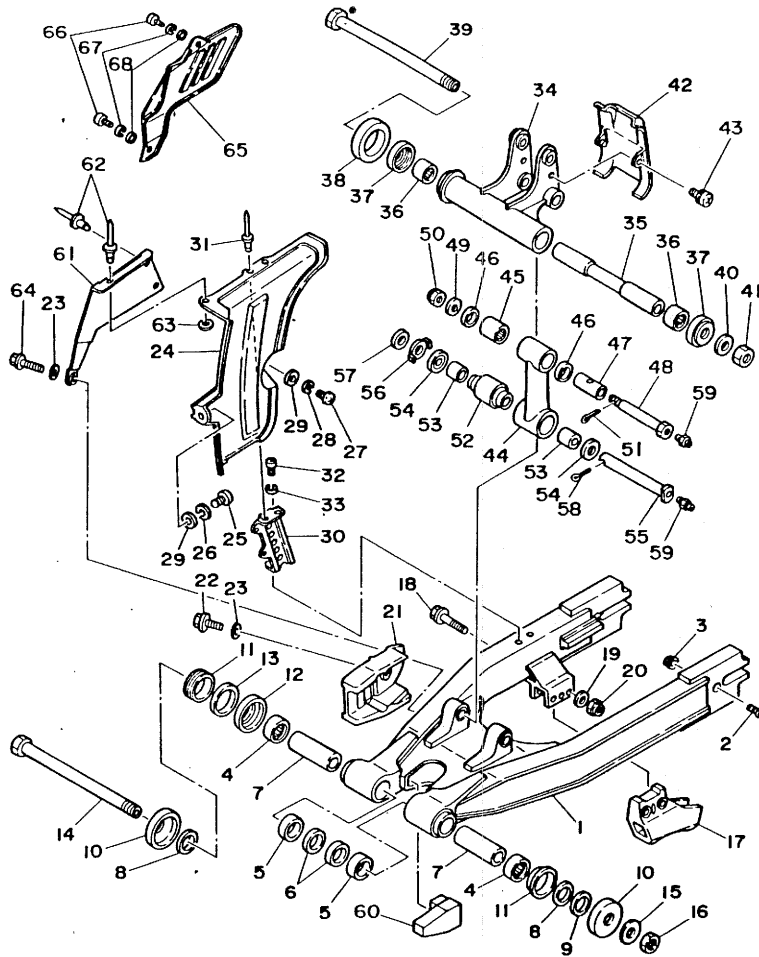


REF. NO.	PART NO.	DESCRIPTION	Q'TY	REMARKS
1	5X8-22110-00-35	REAR ARM COMP.	1	silver
2	90109-08599	BOLT	2	
3	90179-08278	NUT	2	
4	93317-22208	BEARING, cylindrical	2	
5	90386-22097	BUSH	2	
6	93109-22018	OIL SEAL	2	
7	90380-16077	BUSH, solid	2	
8	90201-22680	WASHER, Plate	2	
9	156-22127-00	SHIM (0.3T)	1	UN
10	2K6-22128-01	COVER, thrust 1	2	
11	93108-35004	OIL SEAL	2	
12	5X6-22151-10	SEAL, Guard	1	
13	90387-440G3	COLLAR	1	
14	5X4-22141-00	SHAFT, Pivot	1	
15	90201-160F6	WASHER, Plate	1	
16	90170-16111	NUT	1	
17	5X4-22199-00	SUPPORT, chain	1	
18	95802-08045	BOLT, flange	2	
19	92902-08600	WASHER, Plate	2	
20	95602-08100	NUT, u	2	
21	5X6-22147-00	PROTECTOR, chain	1	
22	95801-06020	BOLT, flange	1	
23	90201-06067	WASHER, Plate	2	
24	5X8-22311-00	CASE, chain	1	black
25	92501-06015	SCREW, Pan head	1	
26	92901-06100	WASHER, sPring	1	
27	92501-06020	SCREW, Pan head	1	
28	92901-06100	WASHER, sPring	1	


5X9700-2170

C7

FIG. 17 REAR ARM



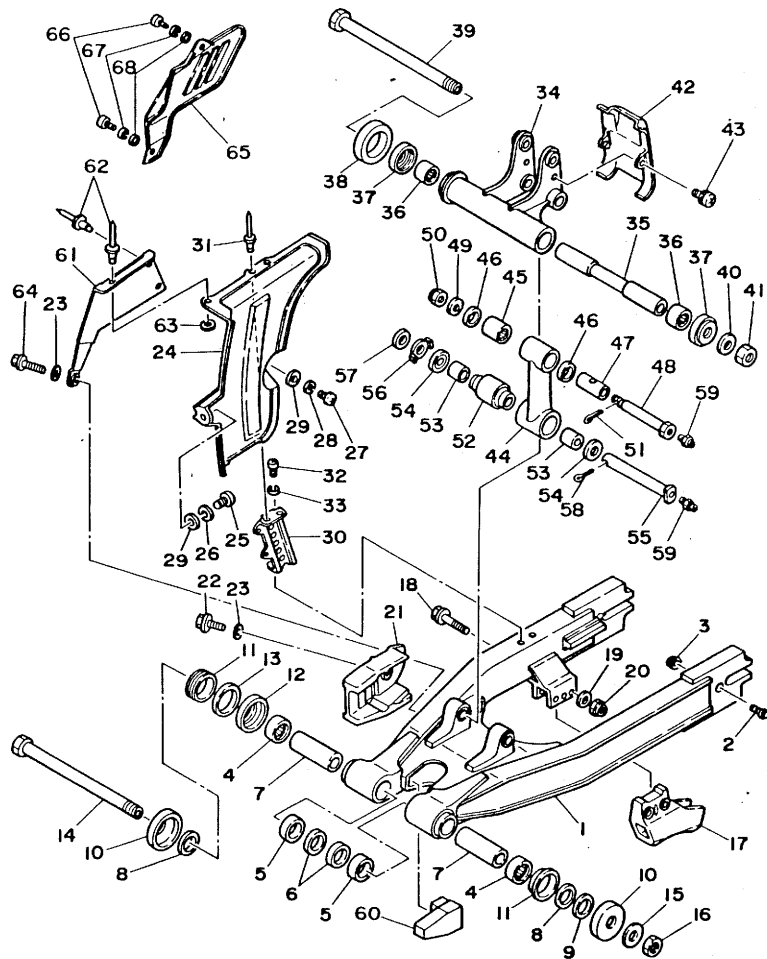
REF. NO.	PART NO.	DESCRIPTION	Q'TY	REMARKS
29	90201-06071	WASHER, Plate	2	
30	5X8-22321-00	STAY, chain case 1	1	
31	90267-40075	RIVET, blind	2	
32	92501-06012	SCREW, Pan head	2	
33	92901-06100	WASHER, sPrin&	2	
34	5X3-2217A-00	ARM, relay	1	
35	90387-163F6	COLLAR	1	
36	93317-22208	BEARING, cylindrical	2	
37	322-22128-01	COVER, thrust 1	2	
38	1W1-22151-00	SEAL, Guard	1	
39	5X4-22141-00	SHAFT, Pivot	1	
40	90201-160F6	WASHER, Plate	1	
41	90170-16111	NUT	1	
42	5X3-21652-00	PROTECTOR	1	
43	90159-05026	SCREW, with washer	2	
44	5X3-2217F-00	ROD, connectin& 1	1	
45	93317-22023	BEARING, cylindrical	1	
46	93109-20029	OIL SEAL	2	
47	90380-14095	BUSH, solid	1	
48	90109-12646	BOLT	1	
49	90201-120E6	WASHER, Plate	1	
50	90185-12061	NUT, self-lockin&	1	
51	91401-25020	PIN, cotter	1	
52	5X6-22123-00	BUSH 1	1	
53	90384-16156	BUSH, bimetal formed	2	
54	5X6-2217H-00	COVER, dust	2	
55	90249-16153	PIN	1	
56	90215-16198	WASHER, lock	1	



5X9700-2170

C8

FIG. 17 REAR ARM



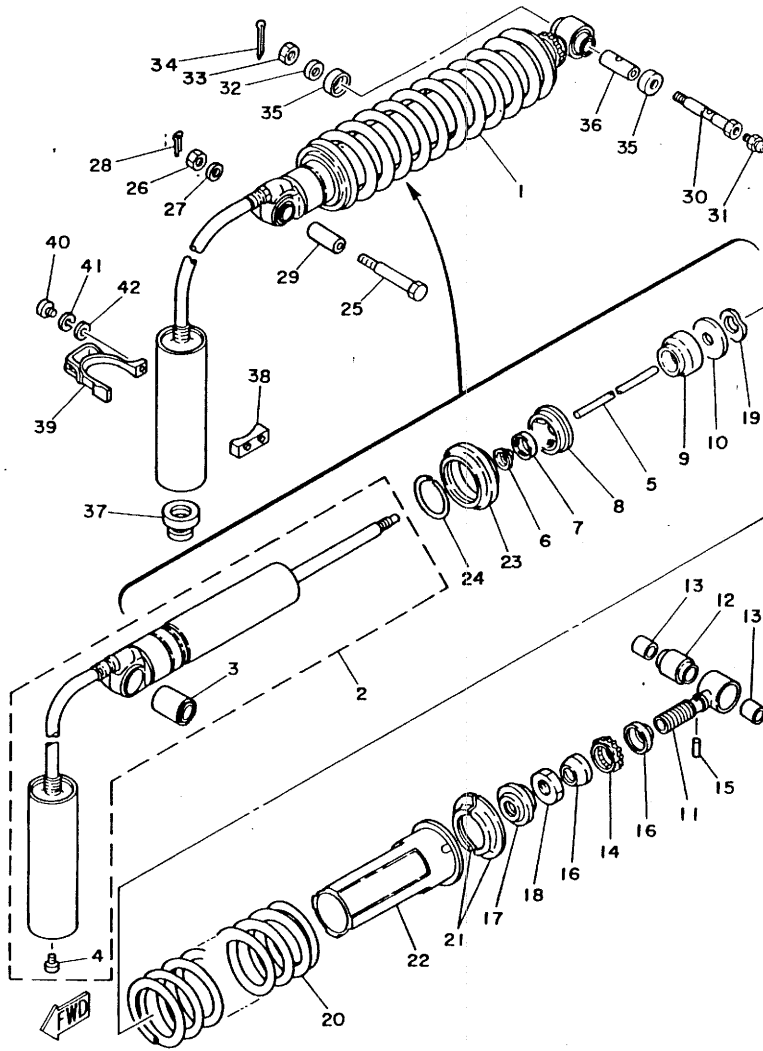
REF. NO.	PART NO.	DESCRIPTION	Q'TY	REMARKS
57	90201-16243	WASHER, Plate	1	
58	91401-40030	PIN, cotter	1	
59	93700-06004	NIPPLE, Grease	2	
60	5X4-2214F-00	DAMPER 1	2	
61	5X9-22312-00	CASE, chain 2	1	
62	90267-40075	RIVET, blind	3	
63	90201-04M06	WASHER, Plate	1	
64	95801-06025	BOLT, flange	1	
65	5X9-22318-00	GUARD, chain	1	
66	92501-06012	SCREW, Pan head	2	
67	92901-06100	WASHER, sPrin&	2	
68	92901-06600	WASHER, Plate	2	



5X9700-2170

C9

FIG. 18 REAR SUSPENSION

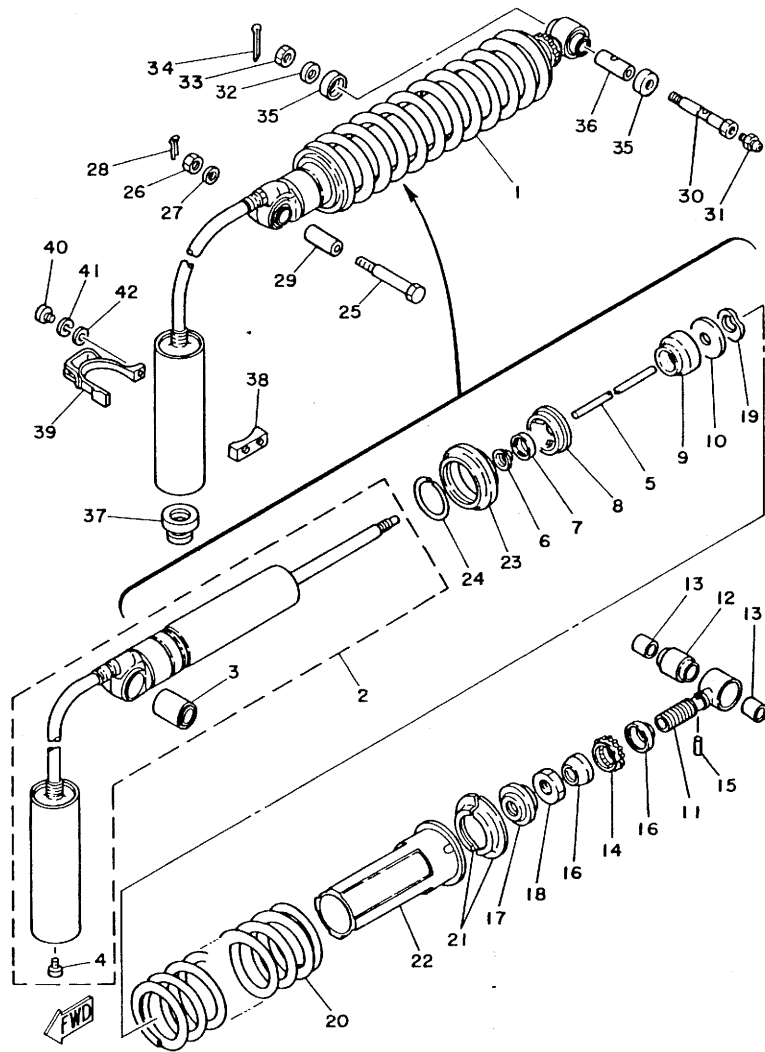


5X8100-2180

REF. NO.	PART NO.	DESCRIPTION	Q'TY	REMARKS
1	5X8-22210-00	SHOCK ABSORBER ASSY, rear	1	
2	5X8-22401-00	•DUMPER SUB ASSY	1	
3	5X6-22216-00	••BUSH, rear shock absorber	1	
4	98501-04005	••SCREW, Pan head	1	
5	5X3-22489-00	•ROD, Push	1	
6	3R4-22475-00	•SEAL, dust	1	
7	3R4-22473-00	•HOUSING, seal ring	1	
8	4L0-22472-00	•CAP, case	1	
9	5X8-22493-00	•BUMP, stop	1	
10	3R4-22228-00	•SUPPORT, bump stop	1	
11	5X3-22409-00	•UPPER BRACKET SUB ASSY	1	
12	5X6-22226-00	•BUSH, shock absorber lower	1	
13	90384-18157	•BUSH, bimetal formed	2	
14	5X3-22497-00	•NUT, adjusting	1	
15	93604-26132	•PIN, dowel	1	
16	3R4-22221-01	•COVER	2	
17	3R4-22213-00	•SEAT, spring upper	1	
18	90170-20213	•NUT	1	
19	90206-14067	•WASHER, wave	1	
20	5X8-22212-00	•SPRING (K=5.30)	1	yellow
21	3R4-22214-00	•GUIDE, spring 1	2	
22	5X3-22224-00	•GUIDE, spring 2	1	
23	3R4-22223-00	•SEAT, spring lower	1	
24	93440-50078	•CIRCLIP	1	
25	90109-10550	BOLT	1	
26	95302-10700	NUT	1	
27	90201-10430	WASHER, Plate	1	
28	91401-20020	PIN, cotter	1	

C10

FIG. 18 REAR SUSPENSION

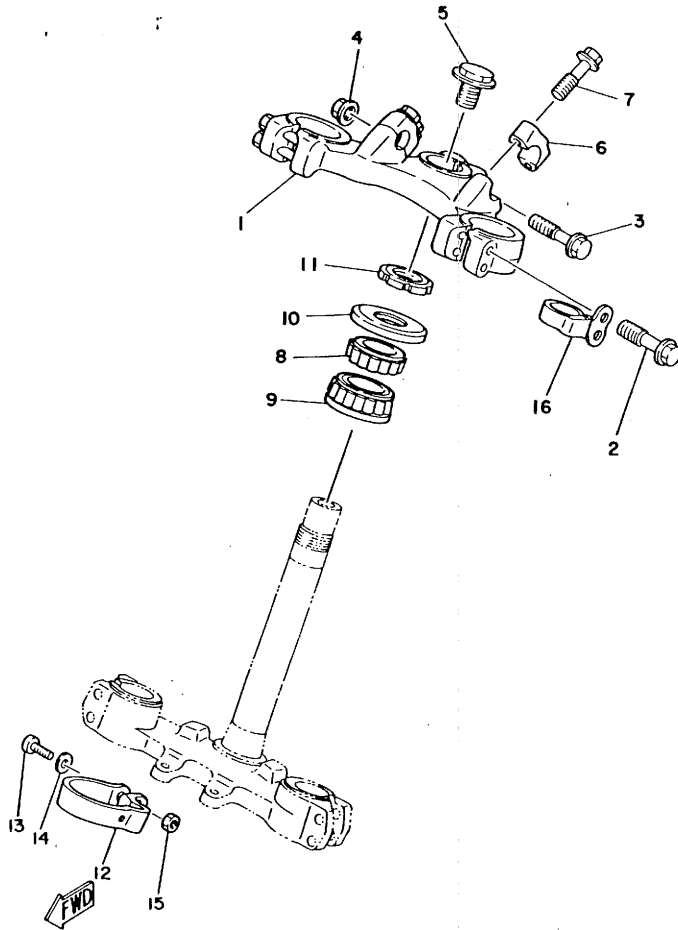


5X8100-2180

REF. NO.	PART NO.	DESCRIPTION	Q'TY	REMARKS
29	90380-12094	BUSH, solid	1	
30	90109-10648	BOLT	1	
31	93700-06004	NIPPLE, Grease	1	
32	90201-100E9	WASHER, Plate	1	
33	95601-10100	NUT, u	1	
34	91401-25020	PIN, cotter	1	
35	5X6-22129-00	COVER, thrust 2	2	
36	90380-12094	BUSH, solid	1	
37	90480-22263	GROMMET	1	
38	5X6-22261-00	DAMPER, sub tank	1	
39	3R3-22262-00	HOLDER, sub tank	1	
40	92502-06016	SCREW, Pan head	1	
41	92902-06100	WASHER, sPring	1	
42	92902-06600	WASHER	1	

C11

FIG. 19 STEERING

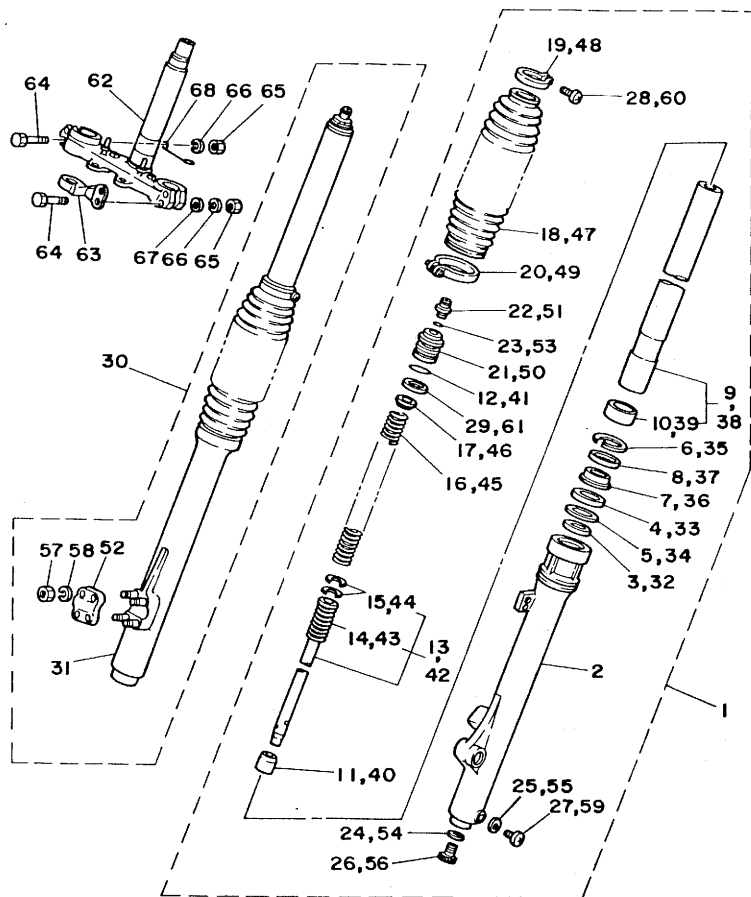


4V5100-2190

REF. NO.	PART NO.	DESCRIPTION	Q'TY	REMARKS
1	1W4-23435-00-98	CROWN, handle	1	low gloss black
2	95821-08040	BOLT, flange	4	
3	95821-08055	BOLT, flange	1	
4	95701-08100	NUT, flange	1	
5	90105-14102	BOLT, washer based	1	
6	1E6-23441-00-98	HOLDER, handle upper	2	low gloss black
7	95821-08035	BOLT, flange	4	
8	93332-00023	BEARING	1	
9	93332-00008	BEARING	1	
10	1W1-23416-00	COVER, ball race 2	1	
11	90179-25033	NUT	1	
12	1W2-23318-00	HOLDER, cable 1	1	
13	98501-05018	SCREW, Pan head	1	
14	92901-05600	WASHER, Plate	1	
15	95301-05600	NUT	1	
16	3R4-23389-00	GUIDE, cable	1	

C12

FIG. 20 FRONT FORK



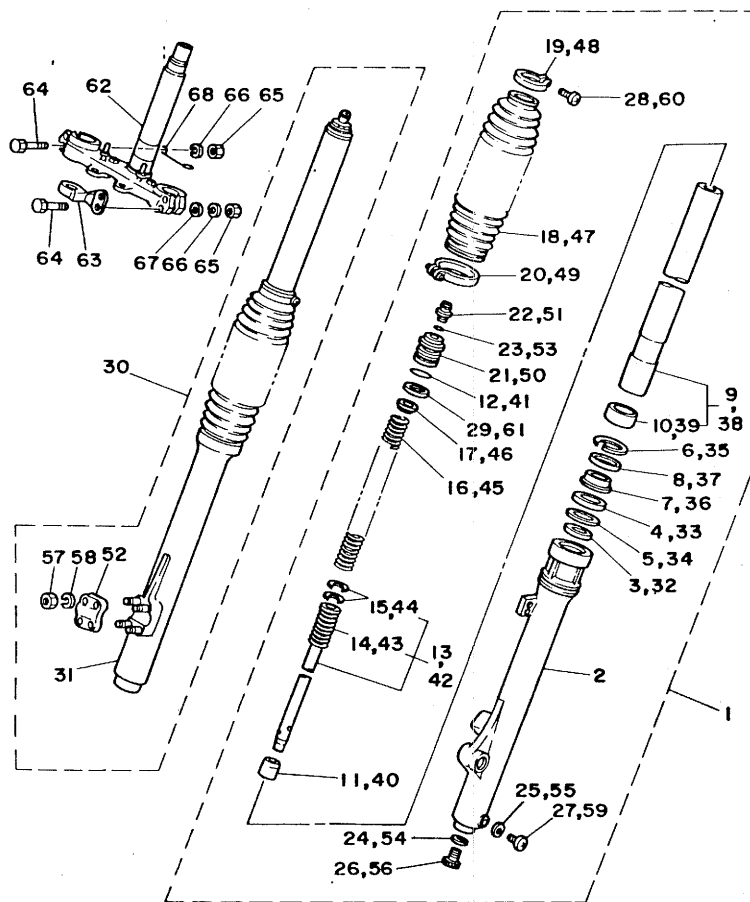
REF. NO.	PART NO.	DESCRIPTION	Q'TY	REMARKS
1	5X8-23102-L0	FRONT FORK ASSY (L.H)	1	
2	4V5-23126-L0	.TUBE, outer 1	1	
3	4V2-23125-L0	.METAL, slide 1	1	
4	1W4-23145-L0	.OIL SEAL	1	
5	4V2-23146-L0	.WASHER, oil seal	1	
6	3R4-23153-00	.RING, snap	1	
7	3R4-23144-00	.SEAL, dust	1	
8	3R4-23148-00	.COVER, dust seal	1	
9	5X4-23110-L0	.INNER TUBE COMP.1	1	
10	4V2-23171-L0	..PISTON, front fork	1	
11	3R4-23173-L0	.SPINDLE, taPer	1	
12	1W4-23114-L0	.GASKET	1	
13	5X8-23170-L0	.CYLINDER COMP., front fork	1	
14	1W4-23151-L0	..SPRING, rebound	1	
15	4V2-23157-L0	..RING, Piston	2	
16	5X8-23141-L0	.SPRING, front fork	1	
17	1W4-23142-L0	.SEAT, sPring uPPer	1	
18	3R4-23191-M0	.BOOT	1	
19	1W4-23192-L0	.BAND	1	
20	1W4-23489-L0	.BAND	1	
21	5X4-23111-L0	.BOLT, caP	1	
22	4V4-23190-L0	.AIR VALVE COMP.	1	
23	3J2-23147-00	.O-RING	1	
24	509-23158-L0	.GASKET	1	
25	122-23129-00	.GASKET, drain Plug	1	
26	3R4-23181-L0	.BOLT, hexaGon socket head	1	
27	122-23119-01	.PLUG, drain	1	
28	4V2-23194-L0	.SCREW, boot band	1	



5X8100-2200

C13

FIG. 20 FRONT FORK



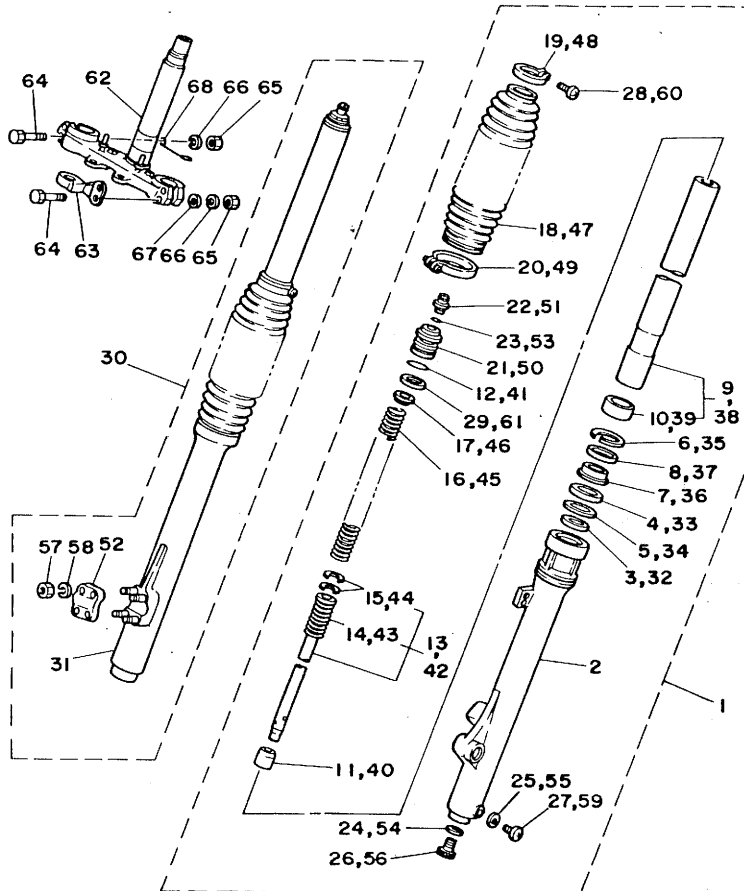
REF. NO.	PART NO.	DESCRIPTION	Q'TY	REMARKS
29	5X8-23118-L0	•SPACER	1	
30	5X8-23103-L0	FRONT FORK ASSY (R.H)	1	
31	4V5-23136-L0	•TUBE, outer 2	1	
32	4V2-23125-L0	•METAL, slide 1	1	
33	1W4-23145-L0	•OIL SEAL	1	
34	4V2-23146-L0	•WASHER, oil seal	1	
35	3R4-23153-00	•RING, snap	1	
36	3R4-23144-00	•SEAL, dust	1	
37	3R4-23148-00	•COVER, dust seal	1	
38	5X4-23110-L0	•INNER TUBE COMP.1	1	
39	4V2-23171-L0	•PISTON, front fork	1	
40	3R4-23173-L0	•SPINDLE, taPer	1	
41	1W4-23114-L0	•GASKET	1	
42	5X8-23170-L0	•CYLINDER COMP., front fork	1	
43	1W4-23151-L0	•SPRING, rebound	1	
44	4V2-23157-L0	•RING, Piston	2	
45	5X8-23141-L0	•SPRING, front fork (K=0.302)	1	
46	1W4-23142-L0	•SEAT, sPrinG uPPer	1	
47	3R4-23191-M0	•BOOT	1	
48	1W4-23192-L0	•BAND	1	
49	1W4-23489-L0	•BAND	1	
50	5X4-23111-L0	•BOLT, caP	1	
51	4V4-23190-L0	•AIR VALVE COMP.	1	
52	4V2-23167-L0	•HOLDER, axle	1	
53	3J2-23147-00	•O-RING	1	
54	509-23158-L0	•GASKET	1	
55	122-23129-00	•GASKET, drain Plug	1	
56	3R4-23181-L0	•BOLT, hexaGon socket head	1	



5X8100-2200

C14

FIG. 20 FRONT FORK



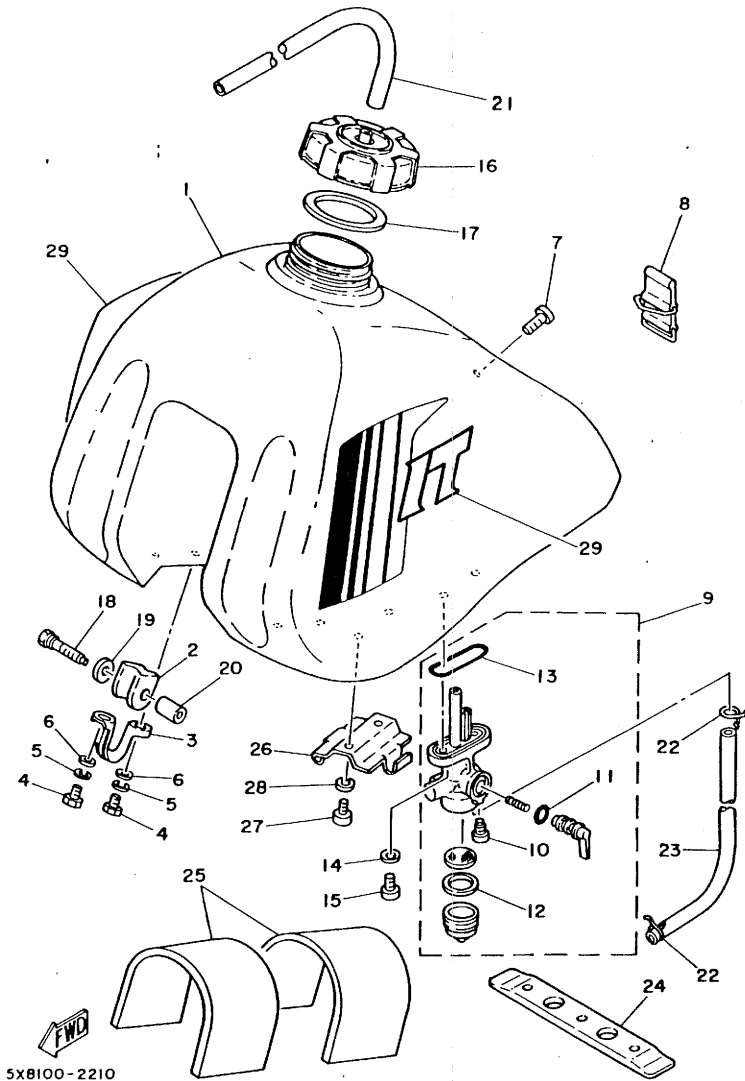
REF. NO.	PART NO.	DESCRIPTION	Q'TY	REMARKS
57	95311-06600	.NUT	4	
58	92901-06100	.WASHER, sPring	4	
59	122-23119-01	.PLUG, drain	1	
60	4V2-23194-L0	.SCREW, boot band	1	
61	5X8-23118-L0	.SPACER	1	
62	4V5-23340-L0-33	UNDER BRACKET COMP.	1	yamaha black
63	3R4-23389-00	GUIDE, cable	1	
64	90109-08397	BOLT	4	
65	95311-08600	NUT	4	
66	92901-08100	WASHER, sPring	4	
67	90201-08544	WASHER, Plate	3	
68	4V5-23389-00	GUIDE, cable	1	



5X8100-2200

C15

FIG. 21 FUEL TANK

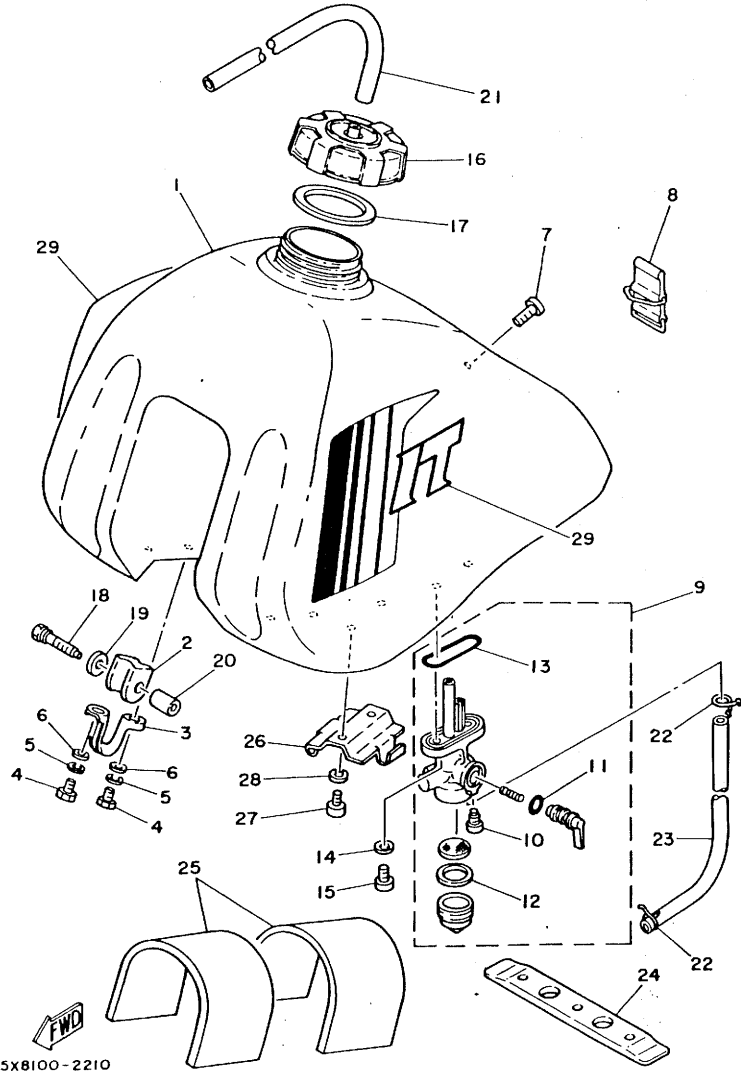


REF. NO.	PART NO.	DESCRIPTION	Q'TY	REMARKS
1	5X8-24110-00	FUEL TANK COMP.	1	sky blue
2	1W1-24182-01	DAMPER, locatin& 2	2	
3	1W1-24144-01	HOLDER, damPer	2	
4	97301-06012	BOLT	4	
5	92901-06100	WASHER, sPrin&	4	
6	92901-06600	WASHER, Plate	4	
7	98902-06018	SCREW, bind	1	
8	3R3-24173-00	BAND, tank fittin& 1	1	
9	3R9-24500-00	FUEL COCK ASSY 1	1	
10	2N3-24535-00	•SCREW, lever fittin&	1	
11	2N3-24528-00	•O-RING	1	
12	357-24522-10	•GASKET	1	
13	2W6-24512-00	•O-RING	1	
14	90202-06010	WASHER, Plate	2	
15	90149-06011	SCREW	2	
16	3R9-24611-00	BODY, caP	1	
17	3R9-24612-00	GASKET, caP	1	
18	90119-06022	BOLT, with washer	2	
19	90201-06407	WASHER, Plate	2	
20	90387-07393	COLLAR	2	
21	90445-11356	HOSE	1	
22	90467-10008	CLIP	2	
23	90445-09117	HOSE	1	
24	3R4-24181-00	DAMPER, locatin& 1	1	
25	1W1-24183-00	DAMPER, locatin& 3	2	
26	5X6-2415F-00	STAY, chamber	1	
27	92501-06010	SCREW, Pan head	2	
28	92901-06100	WASHER, sPrin&	2	

D2

FIG. 21 FUEL TANK

REF. NO.	PART NO.	DESCRIPTION	Q'TY	REMARKS
29	5X8-24240-09	GRAPHIC SET	1	



5X8100-2210

D3

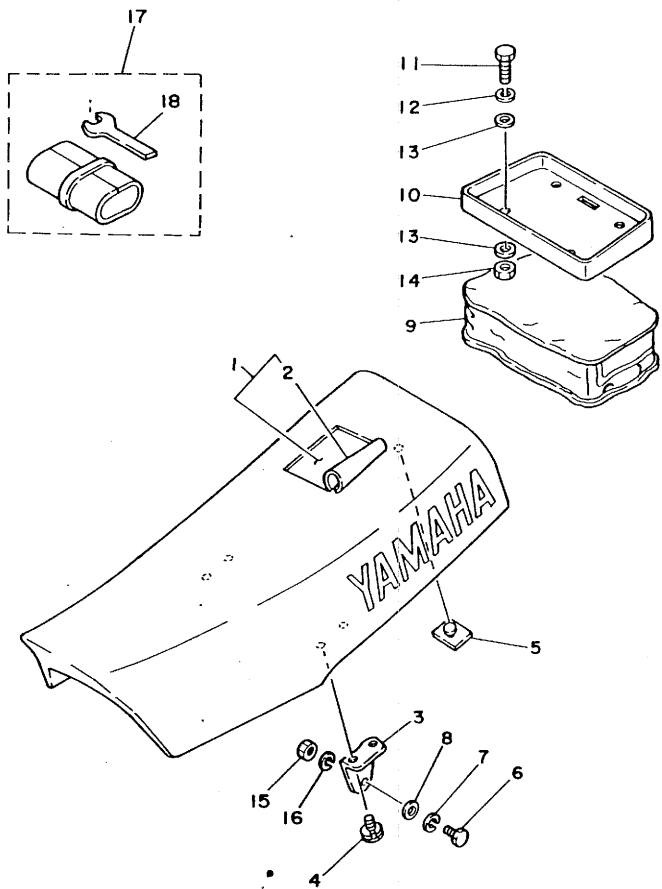


FIG. 22 SEAT

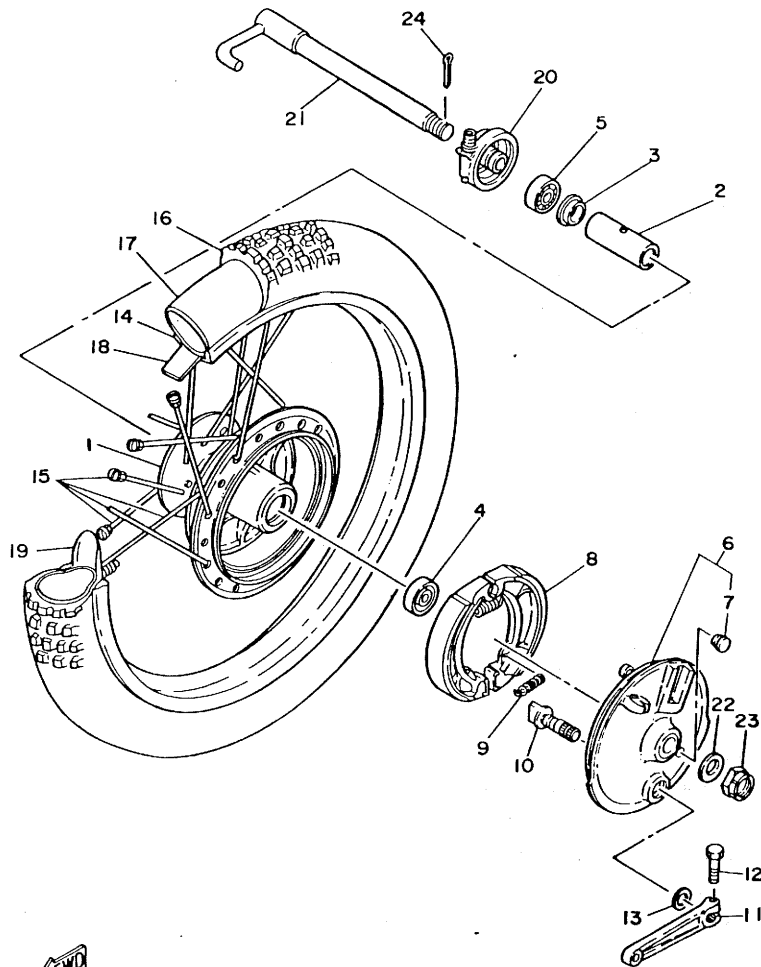
REF. NO.	PART NO.	DESCRIPTION	Q'TY	REMARKS
1	5X8-W2473-00	SEMI-DOUBLE SEAT ASSY	1	
2	5X8-24771-00	COVER, semi-double seat	1	
3	1W1-24738-00	BRACKET, seat	2	
4	90101-06304	BOLT	4	
5	509-24724-00	DAMPER, seat	1	
6	97301-06016	BOLT	2	
7	92901-06100	WASHER, sPring	2	
8	92901-06600	WASHER, Plate	2	
9	4V5-24850-00	CARRIER BOX ASSY	1	
10	4V5-24833-00	BRACKET, carrier 2	1	
11	97301-06016	BOLT	4	
12	92901-06100	WASHER, sPring	4	
13	90201-06571	WASHER, Plate	8	
14	95301-06600	NUT	4	
15	95602-06100	NUT, u	2	
16	92902-06200	WASHER	2	
17	1W2-28100-10	TOOL KIT	1	
18	1W1-28135-10	SPANNER, sPecial	1	



5X8100-2220

D4

FIG. 23 FRONT WHEEL



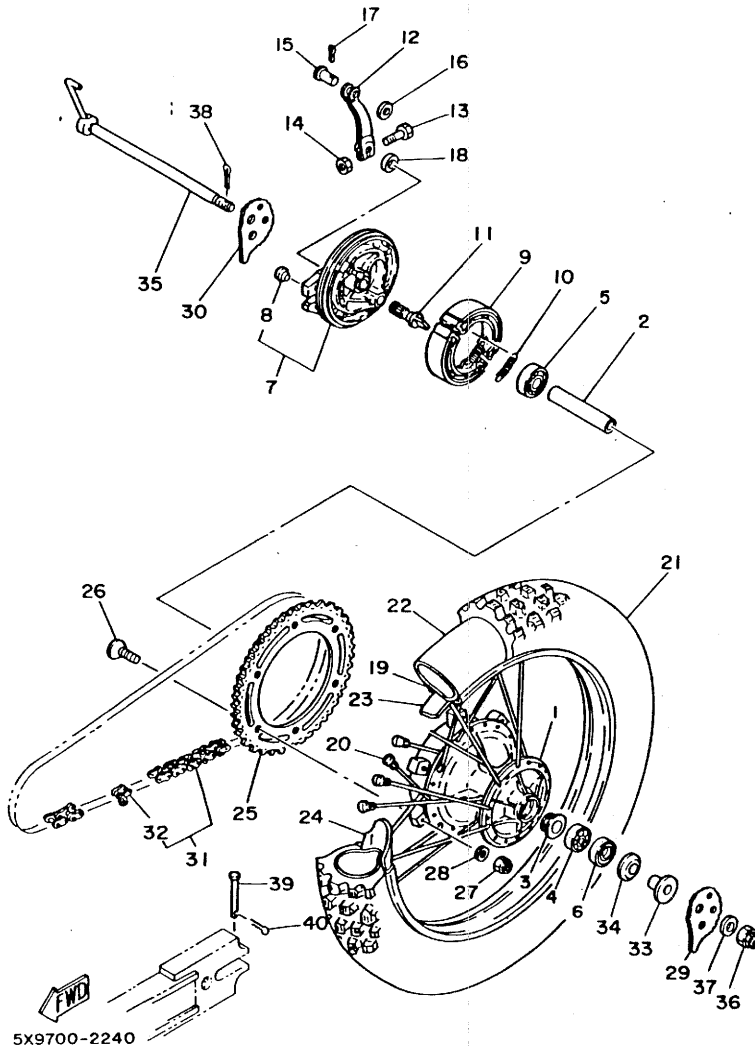
REF. NO.	PART NO.	DESCRIPTION	Q'TY	REMARKS
1	1K7-25111-11-98	HUB, front	1	low gloss black
2	90560-15116	SPACER	1	
3	146-25116-00	FLANGE, sPacer 2	1	
4	93306-20203	BEARING (B6202RS)	1	
5	93306-20205	BEARING (B6202)	1	
6	1W1-25016-11-98	BRAKE SHOE PLATE ASSY	1	low gloss black
7	90480-10068	.GROMMET	1	
8	322-25130-00	BRAKE SHOE COMP.	2	
9	90506-16036	SPRING, tension	2	
10	322-25151-00	CAMSHAFT	1	
11	322-25155-00	LEVER, camshaft 1	1	
12	90101-06291	BOLT	1	
13	137-25159-00	SEAL, camshaft	1	
14	94416-21234	RIM (1.60-21)	1	
15	2W6-25104-02	SPOKE SET, front	1	
16	94130-21731	TIRE (3.00-21)	1	inoue
17	94230-21126	TUBE (3.00-21)	1	inoue
18	94330-21088	BAND, rim (3.00-21)	1	inoue
19	1T1-25194-00	SPACER, bead	1	
20	1W2-25190-00	GEAR UNIT ASSY	1	
21	4V5-25181-00	AXLE, wheel	1	
22	90201-15785	WASHER, Plate	1	
23	90171-14020	NUT, castle	1	
24	91401-30030	PIN, cotter	1	



5X9700-2230

D5

FIG. 24 REAR WHEEL

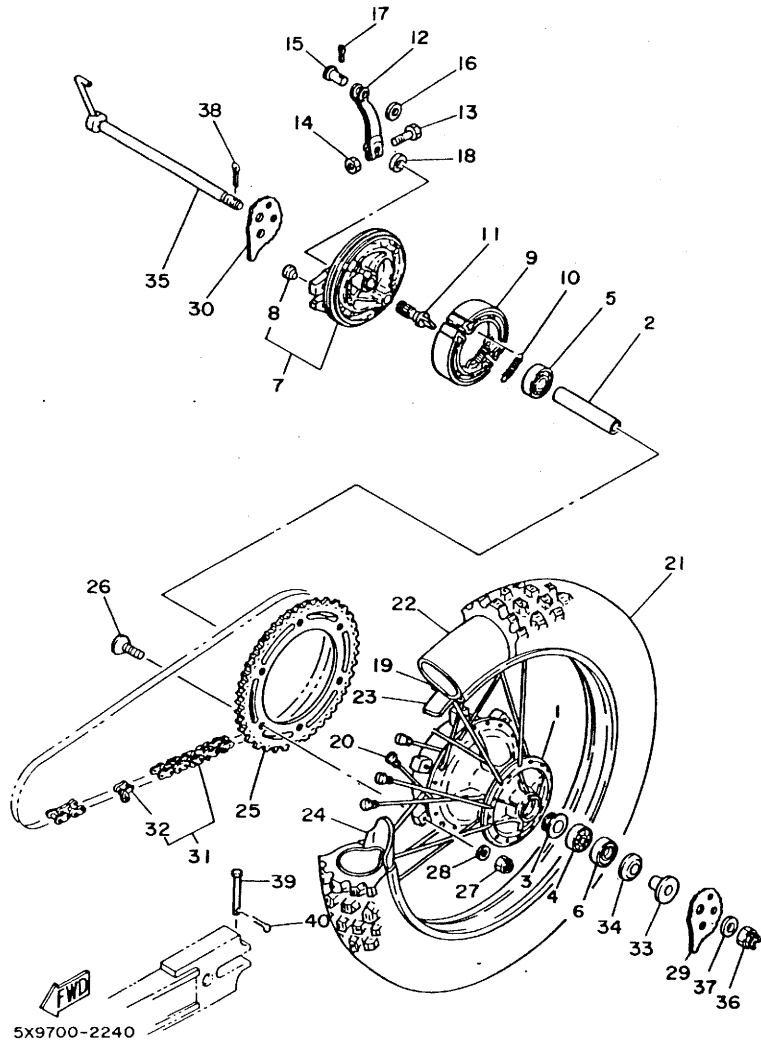


REF. NO.	PART NO.	DESCRIPTION	Q'TY	REMARKS
1	3R3-25311-02-98	HUB, rear	1	low gloss black
2	3R3-25317-00	SPACER, bearing	1	
3	183-25315-00	FLANGE, spacer	1	
4	93306-20205	BEARING (B6202)	1	
5	93306-30203	BEARING (B6302Z)	1	
6	93106-22017	OIL SEAL	1	
7	4J0-25026-00-98	BRAKE SHOE PLATE ASSY	1	low gloss black
8	90480-10068	GROMMET	1	
9	437-25330-01	BRAKE SHOE COMP.	2	
10	90506-16036	SPRING, tension	2	
11	401-25351-00	CAMSHAFT	1	
12	3R6-25355-01	LEVER, camshaft	1	
13	90101-06278	BOLT	1	
14	95301-06600	NUT	1	
15	3R6-27237-00	PIN, clevis	1	
16	90201-12631	WASHER, plate	1	
17	91401-25025	PIN, cotter	1	
18	148-25359-00	SEAL, camshaft	1	
19	94418-18245	RIM (1.85-18)	1	
20	4V2-25304-00	SPOKE SET, rear	1	
21	94111-18781	TIRE (110/90-18 61M)	1	inoue
22	94211-18209	TUBE	1	inoue
23	94325-18043	BAND, rim (2.50-18)	1	
24	2X3-25394-00	SPACER, bead	2	
25	3R6-25444-10-33	SPROCKET, driven (44T)	1	UR STD
	3R6-25442-10-33	SPROCKET, driven (42T)	1	yamaha black
	3R6-25446-10-33	SPROCKET, driven (46T)	1	AP yamaha black
26	90110-08038	BOLT, hexagon socket head	6	

D6

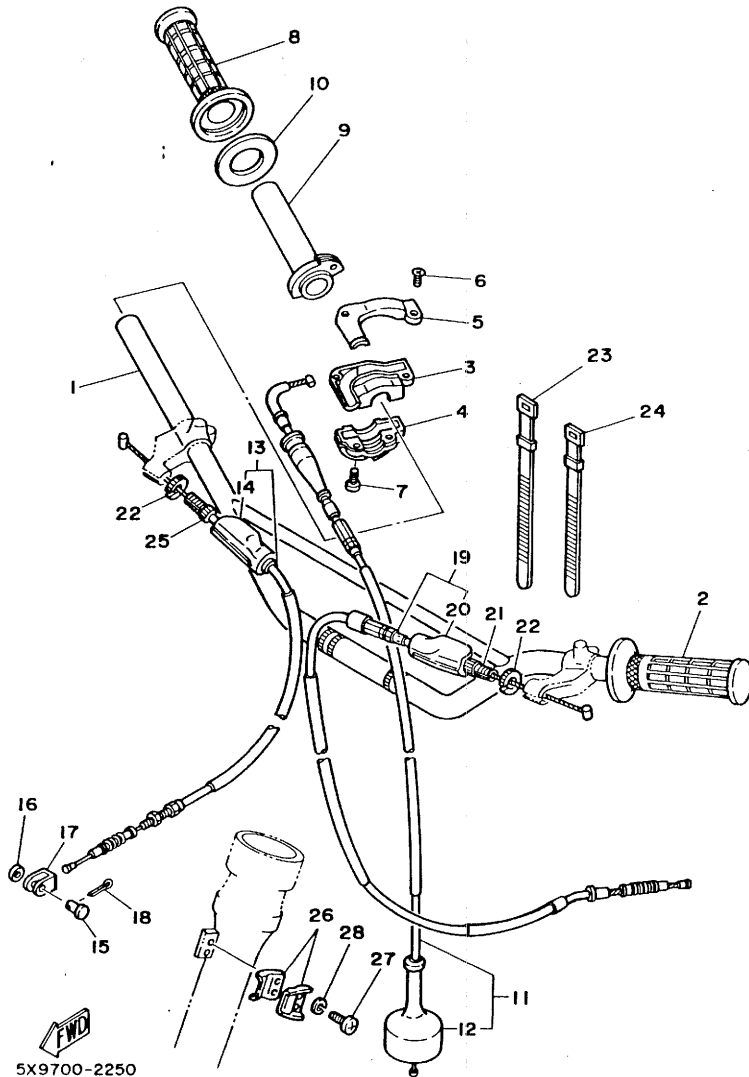
FIG. 24 REAR WHEEL

REF. NO.	PART NO.	DESCRIPTION	Q'TY	REMARKS
27	90185-08089	NUT, self-locking	6	
28	92901-08200	WASHER, Plain	6	
29	1W2-25388-01	PULLER, chain 1	1	
30	1W2-25389-01	PULLER, chain 2	1	
31	94585-20104	CHAIN, drive (DID520DS 104L)	1	
32	94685-20001	JOINT, chain	1	
33	90387-152A3	COLLAR	1	
34	3R3-25367-00	COVER, hub dust	1	
35	5X8-25381-00	AXLE, wheel	1	
36	90171-14020	NUT, castle	1	
37	90201-15238	WASHER, Plate	1	
38	91401-30030	PIN, cotter	1	
39	91702-05035	PIN, clevis	2	
40	91401-16010	PIN, cotter	2	



D7

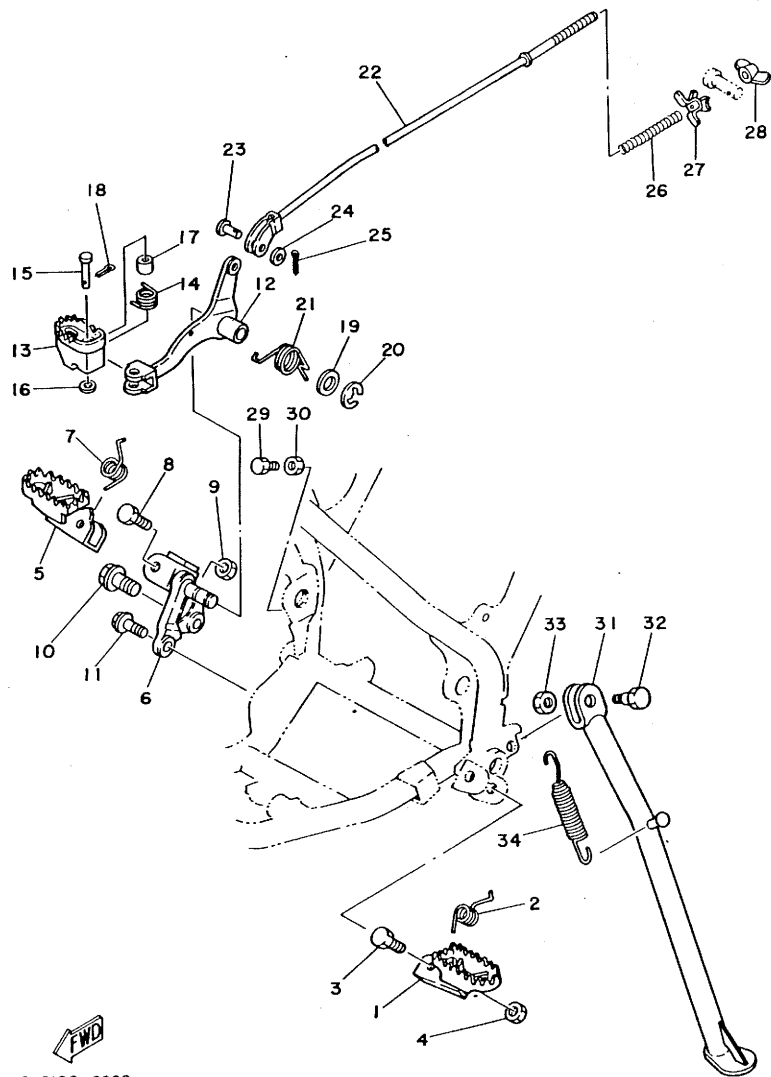
FIG. 25 HANDLEBAR.CABLE



REF. NO.	PART NO.	DESCRIPTION	Q'TY	REMARKS
1	5X8-26111-00	HANDLEBAR	1	
2	4V4-26241-00	GRIP (L.H)	1	
3	5X2-26281-00	CAP, GriP uPPer	1	
4	322-26282-00-98	CAP, GriP lower	1	
5	5X2-2628H-00	CAP, wire	1	
6	98606-04012	SCREW, oval head	2	
7	98506-05016	SCREW, Pan head	2	
8	3R9-26242-00	GRIP (R.H)	1	
9	322-26243-00	TUBE, throttle guide	1	
10	1W1-26249-00	RING, leaf	1	
11	5X8-26311-00	CABLE, throttle 1	1	
12	500-26329-01	.CAP, rubber	1	
13	5X9-26341-00	CABLE, brake	1	
14	498-26372-00	.COVER, handle lever 1	1	
15	90240-08012	PIN, clevis	1	
16	90201-08083	WASHER, Plate	1	
17	156-26347-00	JOINT, cable	1	
18	91401-20015	PIN, cotter	1	
19	5Y0-26335-00	CABLE, clutch	1	
20	382-26372-01	.COVER, handle lever 1	1	
21	90123-08046	BOLT	1	
22	90179-08148	NUT	2	
23	437-83936-10	BAND, switch cord	1	
24	437-83936-00	BAND, switch cord	1	
25	90123-08046	BOLT	1	
26	90465-14192	CLAMP	2	
27	92501-06015	SCREW, Pan head	2	
28	92901-06100	WASHER, sPrinG	2	

D8

FIG. 26 STAND•FOOTREST

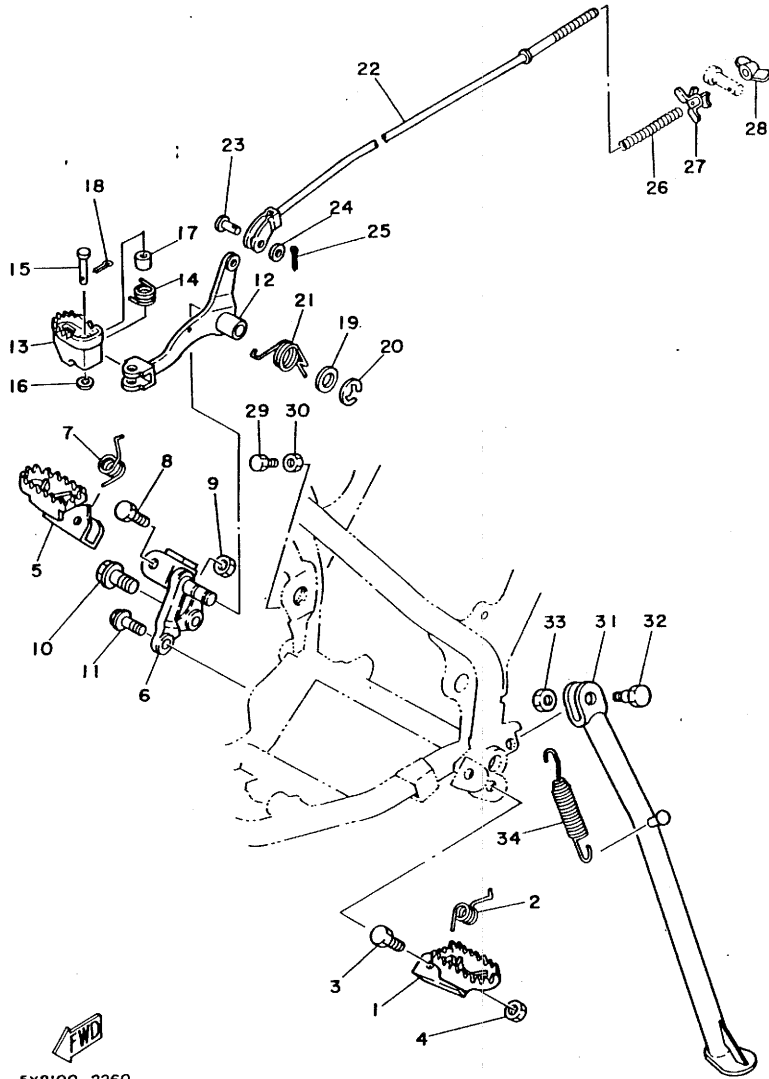


REF. NO.	PART NO.	DESCRIPTION	Q'TY	REMARKS
1	5X3-27411-00	FOOTREST 1	1	
2	90508-20023	SPRING, torsion	1	
3	90101-08428	BOLT	1	
4	95601-08100	NUT, u	1	
5	4V4-27421-00	FOOTREST 2	1	
6	5X3-27422-00	BRACKET, footrest 2	1	
7	90508-20023	SPRING, torsion	1	
8	90101-08428	BOLT	1	
9	95601-08100	NUT, u	1	
10	90105-12096	BOLT, washer based	1	
11	95811-10020	BOLT, flange	1	
12	5Y0-27211-00-90	PEDAL, brake	1	uni chrome (black)
13	5X8-27242-00	PEDAL, brake	1	
14	90508-20451	SPRING, torsion	1	
15	91701-08032	PIN, clevis	1	
16	92901-08600	WASHER, Plate	1	
17	90387-08762	COLLAR	1	
18	91401-25015	PIN, cotter	1	
19	92902-12200	WASHER	1	
20	93430-09038	CIRCLIP	1	
21	90508-32544	SPRING, torsion	1	
22	5X8-27231-00	ROD, brake	1	
23	90240-06040	PIN, clevis	1	
24	92901-06200	WASHER, Plain	1	
25	91401-20015	PIN, cotter	1	
26	90501-10245	SPRING, compression	1	
27	1W2-27239-00	SEAT, spring	1	
28	90175-06013	NUT, wing	1	

5X8100-2260

D9

FIG. 26 STAND•FOOTREST

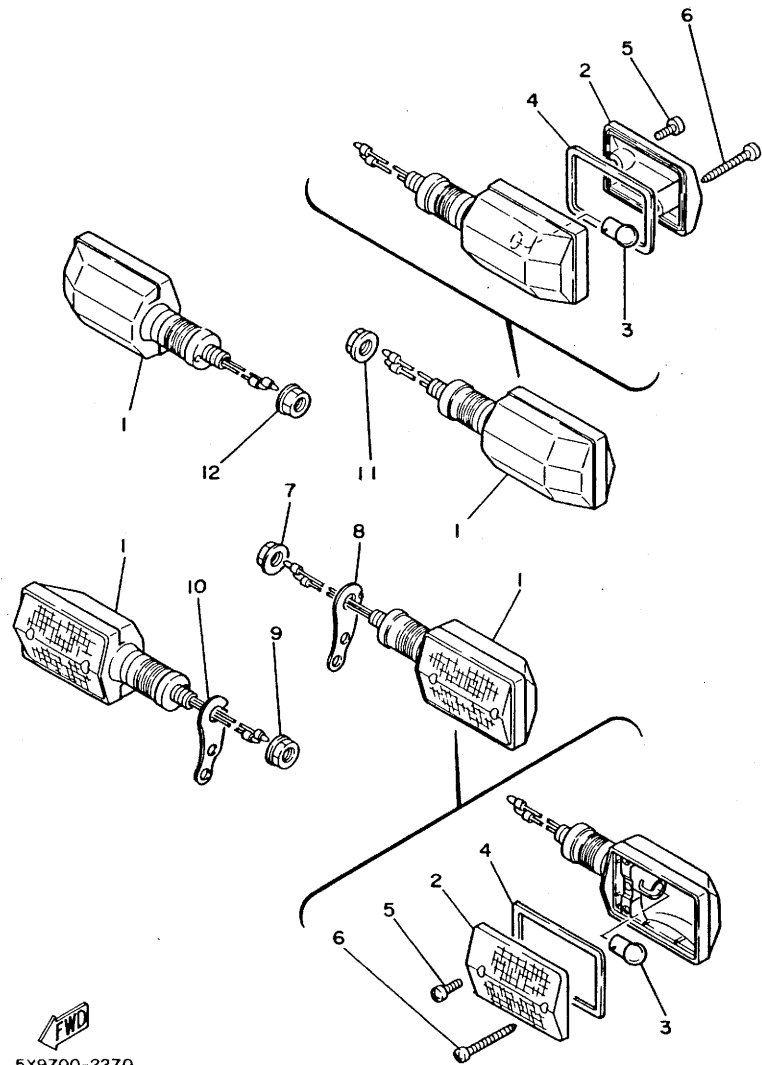


REF. NO.	PART NO.	DESCRIPTION	Q'TY	REMARKS
29	97301-06020	BOLT	1	
30	95301-06700	NUT	1	
31	5X8-27311-00-33	STAND, side	1	yamaha black
32	90109-08032	BOLT	1	
33	95301-08700	NUT	1	
34	90507-29009	SPRING, tension	1	

5X8100-2260

D10

FIG. 27 FLASHER LIGHT

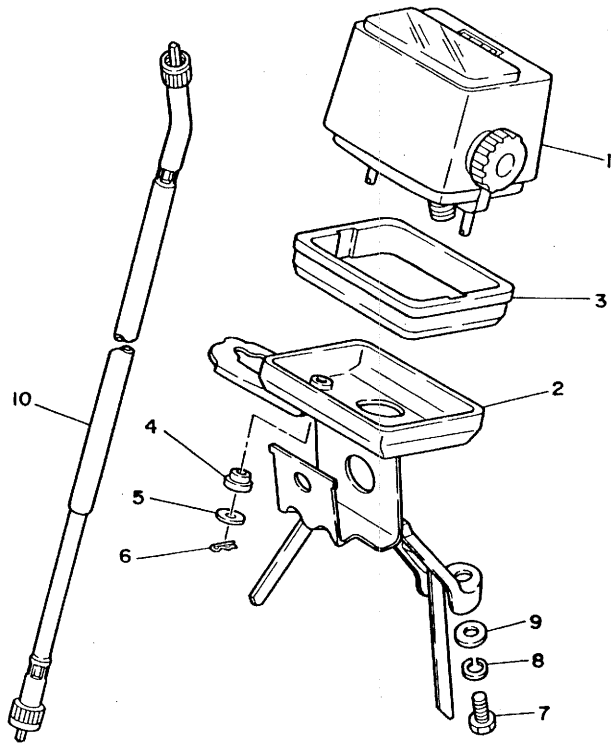


REF. NO.	PART NO.	DESCRIPTION	Q'TY	REMARKS
1	5X9-83310-10	FRONT FLASHER LIGHT ASSY 1	4	
2	5Y1-83312-00	•LENS, flasher	1	
3	308-83311-30	•BULB (6V-21W)	1	
4	5Y1-83313-00	•GASKET, flasher lens	1	
5	98503-04010	•SCREW, Pan head	1	
6	97701-40530	•SCREW, tapping	1	
7	95702-12100	NUT, flange	1	
8	5X9-83318-01	STAY, flasher 1	1	
9	95702-12100	NUT, flange	1	
10	5X9-83328-01	STAY, flasher 2	1	
11	95702-12100	NUT, flange	1	
12	95702-12100	NUT, flange	1	


5X9700-2270

D11

FIG. 28 METER



REF. NO.	PART NO.	DESCRIPTION	Q'TY	REMARKS
1	3R8-83570-F0	SPEEDOMETER ASSY	1	km/h
2	5L4-83519-00	BRACKET, meter	1	
3	5L4-83513-00	DAMPER	1	
4	1M1-83526-00	DAMPER 2	2	
5	90201-052E2	WASHER, Plate	2	
6	437-83525-00	CLIP	2	
7	97321-06012	BOLT	2	
8	92901-06100	WASHER, sPring	2	
9	92901-06600	WASHER, Plate	2	
10	4V5-83550-00	SPEEDOMETER CABLE ASSY	1	

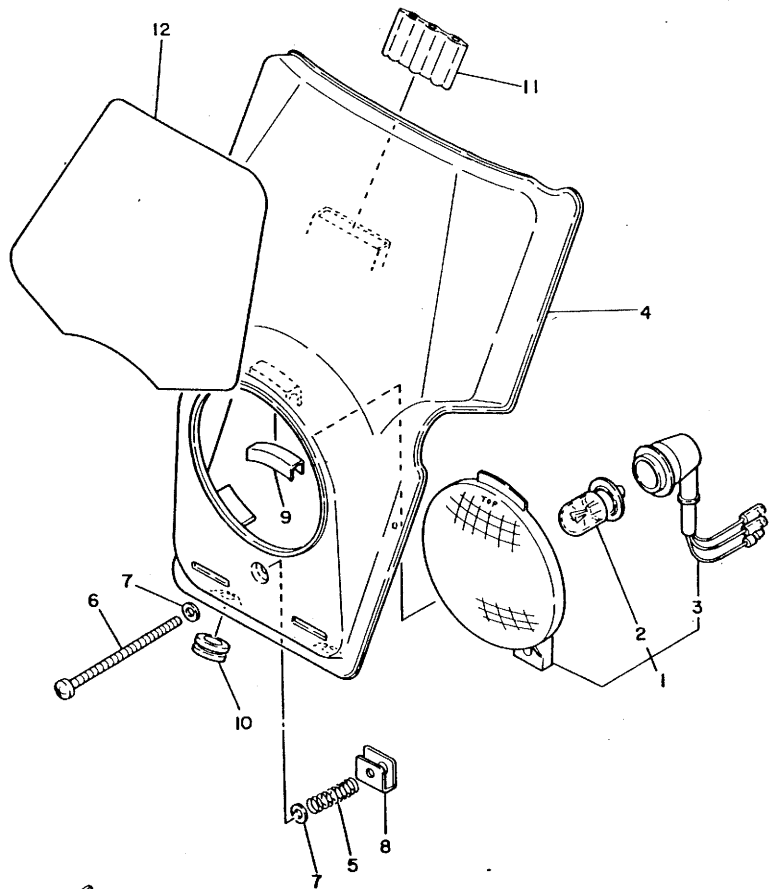


5X9700-2280

D12

FIG. 29 HEADLIGHT

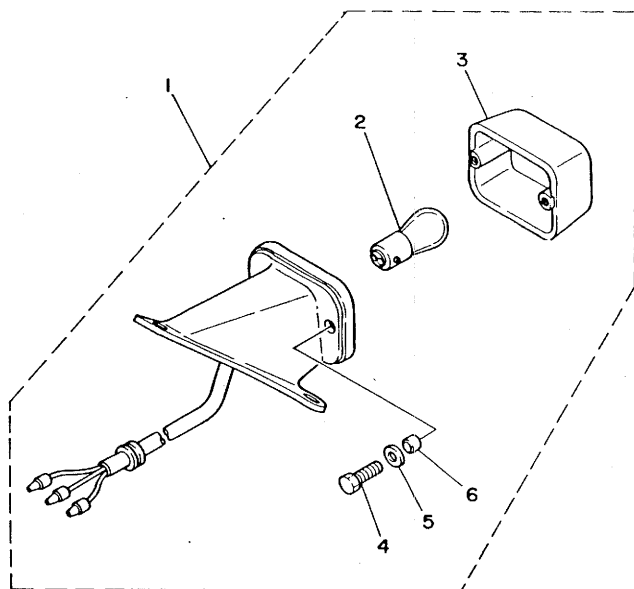
REF. NO.	PART NO.	DESCRIPTION	Q'TY	REMARKS
1	4V5-84110-00	HEADLIGHT UNIT ASSY	1	
2	4G2-84114-00	BULB, headlight	1	
3	4V5-84140-00	SOCKET CORD ASSY	1	
4	4V5-84130-10	BODY ASSY, headlight	1	sky blue
5	4V5-84132-00	SPRING, screw	1	
6	849-84724-00	SCREW, lens fitting	1	
7	92901-04600	WASHER, Plate	2	
8	4V5-84134-00	NUT, adjust	1	
9	4V5-84143-00	DAMPER, headlight stay	1	
10	90480-12053	GROMMET	2	
11	4V5-83592-00	DAMPER	1	
12	4V5-84141-00	EMBLEM, headlight	1	



4V5100-2280

D13

FIG. 30 TAILLIGHT



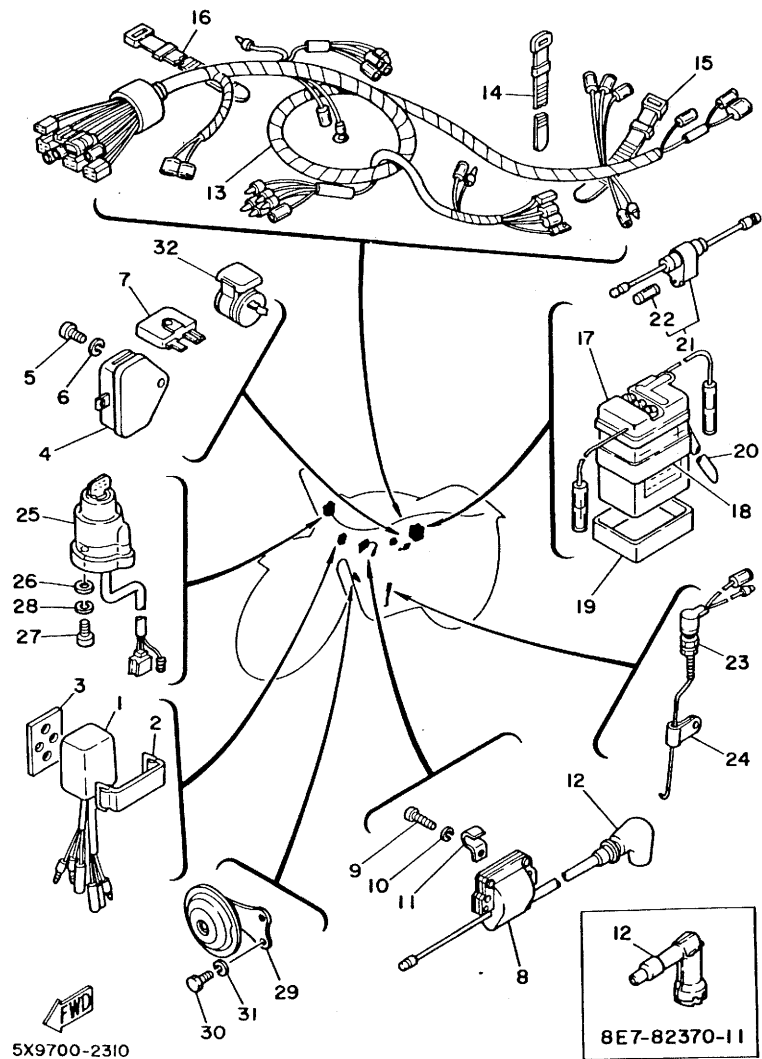
REF. NO.	PART NO.	DESCRIPTION	Q'TY	REMARKS
1	5Y0-84500-00	TAILLIGHT ASSY	1	
2	122-84514-00	•BULB (6V-10/3W)	1	
3	434-84521-69	•LENS, taillight	1	
4	434-84552-62	•BOLT, fitting	2	
5	434-84522-62	•WASHER	2	
6	5Y0-84557-00	•COLLAR	2	



5X9700-2300

D14

FIG. 31 ELECTRICAL 1

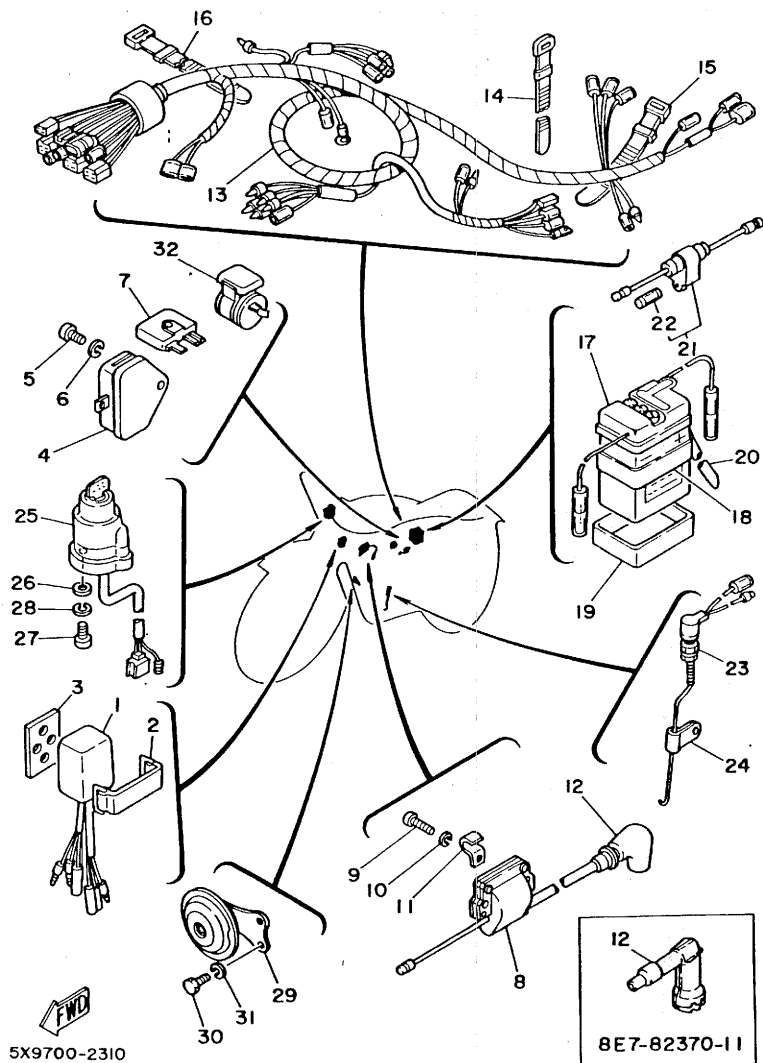


5X9700-2310

REF. NO.	PART NO.	DESCRIPTION	Q'TY	REMARKS
1	2W6-85540-20	C.D.I. UNIT ASSY	1	
2	288-21376-00	BAND, tool	1	
3	2K7-85547-00	DAMPER	1	
4	4F4-81910-60	VOLTAGE REGULATOR ASSY	1	
5	92501-06012	SCREW, Pan head	1	
6	92902-06100	WASHER, sPrin8	1	
7	353-81970-50	RECTIFIER ASSY	1	
8	4V5-82310-40	IGNITION COIL ASSY	1	
9	92501-06025	SCREW, Pan head	2	
10	92901-06100	WASHER, sPrin8	2	
11	90462-05005	CLAMP	1	
12	3R0-82370-20	PLUG CAP ASSY	1	UR
13	8E7-82370-11	PLUG CAP ASSY	1	UR with noise suppressor
13	5X9-82590-00	WIRE HARNESS ASSY	1	
14	437-83936-00	BAND, switch cord	4	
15	437-83936-10	BAND, switch cord	1	
16	256-83936-00	BAND, switch cord	1	
17	2E9-82110-11	BATTERY ASSY (6N2-2A-7)	1	
18	3W1-82131-00	BAND, battery	1	
19	3W1-82122-00	SEAT, battery	1	
20	90445-08048	HOSE	1	
21	1E6-82150-00	FUSE HOLDER ASSY	1	
22	1E6-82151-00	FUSE (6V-10A)	2	
23	5Y0-82530-00	STOP SWITCH ASSY	1	
24	90461-10065	CLAMP	1	
25	5L4-82508-20	MAIN SWITCH ASSY	1	
26	90201-05033	WASHER, Plate	2	
27	98501-05025	SCREW, Pan head	2	

D15

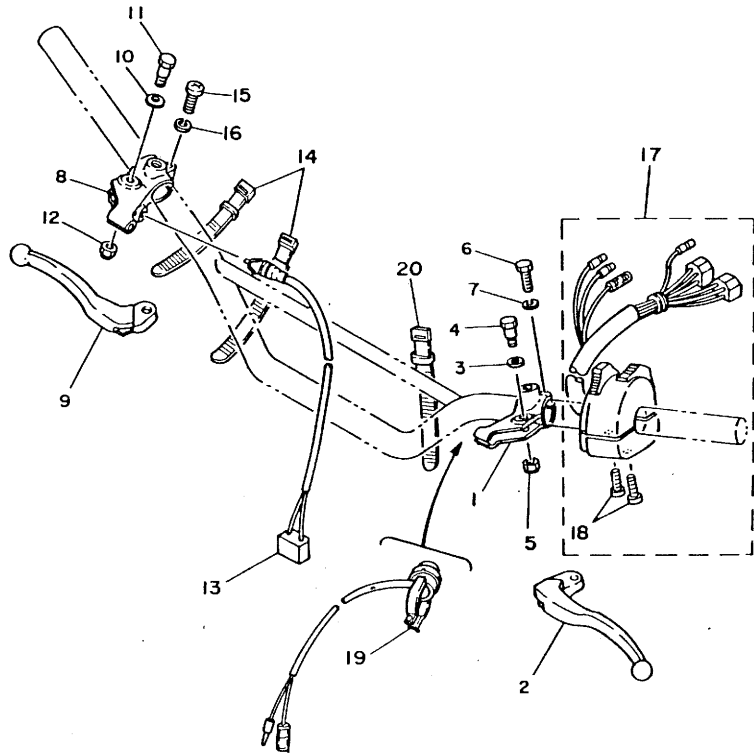
FIG. 31 ELECTRICAL 1



REF. NO.	PART NO.	DESCRIPTION	Q'TY	REMARKS
28	92901-05100	WASHER, sPring	2	
29	4U5-83371-10	HORN	1	
30	97301-06012	BOLT	2	
31	92901-06100	WASHER, sPring	2	
32	3E1-83350-11	FLASHER RELAY ASSY	1	

E2

FIG. 32 HANDLE SWITCH-LEVER



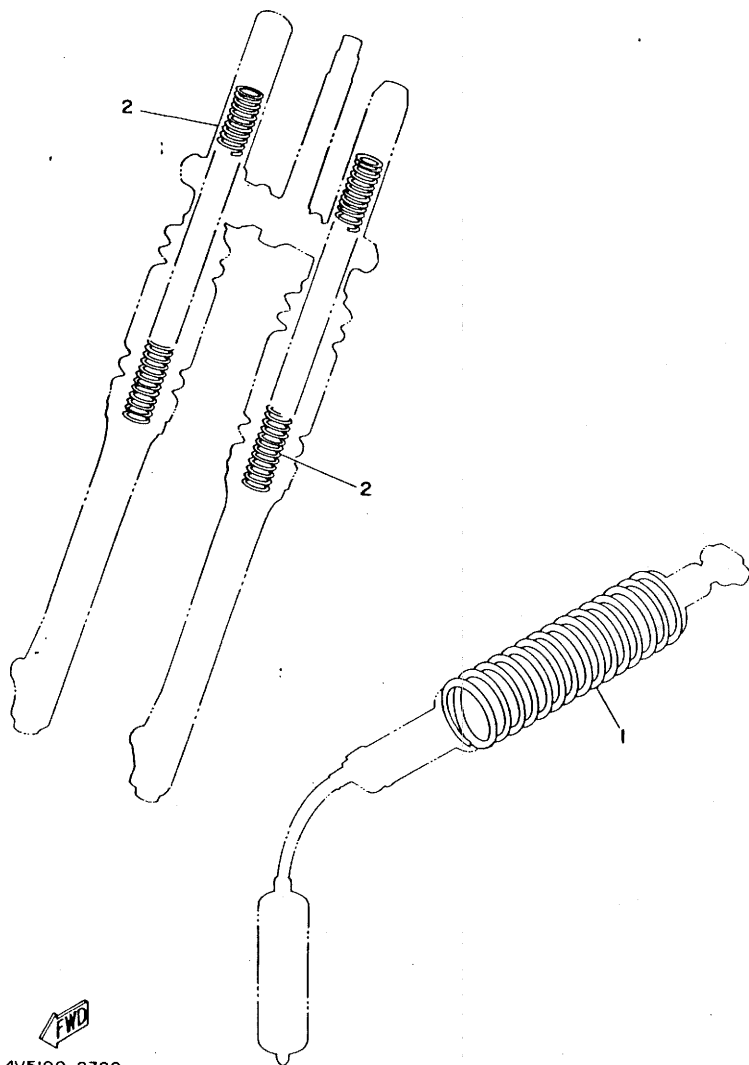
REF. NO.	PART NO.	DESCRIPTION	Q'TY	REMARKS
1	498-82911-00	HOLDER, lever 1	1	
2	3M2-83912-00	LEVER 1	1	
3	90201-08083	WASHER, Plate	1	
4	90109-06410	BOLT	1	
5	95601-06100	NUT, u	1	
6	97306-06020	BOLT	1	
7	92906-06100	WASHER, sPrin&	1	
8	4J0-82921-30	HOLDER, lever 2	1	
9	3M2-83922-00	LEVER 2	1	
10	90201-08083	WASHER, Plate	1	
11	90109-06410	BOLT	1	
12	95601-06100	NUT, u	1	
13	1M1-83980-30	FRONT STOP SWITCH ASSY	1	
14	437-83936-00	BAND, switch cord	2	
15	92506-06025	SCREW, Pan head	1	
16	92906-06100	WASHER, sPrin&	1	
17	5X9-83972-00	SWITCH, handle 4	1	
18	98506-05022	SCREW, Pan head	2	
19	5X6-83976-00	SWITCH, handle 1	1	
20	437-83936-00	BAND, switch cord	2	



5X9700-2320

E3

FIG. 33 ALTERNATE (CHASSIS)



REF. NO.	PART NO.	DESCRIPTION	Q'TY	REMARKS
1	5X8-22212-10	SPRING (K=4.80)	1	UR soft (white)
	5X8-22212-20	SPRING (K=5.80)	1	UR hard (blue)
2	5X8-23141-10	SPRING, front fork (K=0.275)	2	UR soft
	5X8-23141-20	SPRING, front fork (K=0.325)	2	UR hard



4V5100-2320

E4

FIG. 34 REPAIR KIT

REF. NO.	PART NO.	DESCRIPTION	Q'TY	REMARKS
1	5X8-11630-00	PISTON ASSY (STD)	1	
2	5X8-11631-00-95	•PISTON (STD)	1	UR
	5X8-11631-00-96	•PISTON (STD)	1	UR
3	5X8-11601-00	•PISTON RING SET (STD)	1	
4	251-11633-00	•PIN, Piston	1	
5	4V2-11634-00	•CLIP, Piston Pin	2	
6	5X8-11630-10	PISTON ASSY (1ST O/S)	1	
7	5X8-11635-00	•PISTON (1ST O/S 0.25MM)	1	
8	5X8-11601-10	•PISTON RING SET (1ST O/S)	1	
9	251-11633-00	•PIN, Piston	1	
10	4V2-11634-00	•CLIP, Piston Pin	2	
11	5X8-11630-20	PISTON ASSY (2ND O/S)	1	
12	5X8-11636-00	•PISTON (2ND O/S 0.50MM)	1	
13	5X8-11601-20	•PISTON RING SET (2ND O/S)	1	
14	251-11633-00	•PIN, Piston	1	
15	4V2-11634-00	•CLIP, Piston Pin	2	
16	5X8-11630-30	PISTON ASSY (3RD O/S)	1	
17	5X8-11637-00	•PISTON (3RD O/S 0.75MM)	1	
18	5X8-11601-30	•PISTON RING SET (3RD O/S)	1	
19	251-11633-00	•PIN, Piston	1	
20	4V2-11634-00	•CLIP, Piston Pin	2	
21	5X8-11630-40	PISTON ASSY (4TH O/S)	1	
22	5X8-11638-00	•PISTON (4TH O/S 1.00MM)	1	
23	5X8-11601-40	•PISTON RING SET (4TH O/S)	1	
24	251-11633-00	•PIN, Piston	1	
25	4V2-11634-00	•CLIP, Piston Pin	2	
26	3M5-11650-10	CONNECTING ROD ASSY	1	
27	3R2-11651-00	•ROD, connecting	1	

E5

FIG. 34 REPAIR KIT

REF. NO.	PART NO.	DESCRIPTION	Q'TY	REMARKS
28	3M5-11681-00	•PIN, crank 1	1	
29	90209-22071	•WASHER	2	
30	93310-422H0	•BEARING, cylindrical	1	
31	93310-216E1	•BEARING, cylindrical	1	

E6

NUMERICAL INDEX

PART NO.	GRID NO.	PART NO.	GRID NO.	PART NO.	GRID NO.	PART NO.	GRID NO.	PART NO.	GRID NO.	PART NO.	GRID NO.
204-W1411-00	B 7	5X8-11638-00	E 5	5X8-14610-00	B 9	5X8-17261-00	B14	5X4-2214F-00	C 9	122-23119-01	C13
2X3-W1412-00	B 7	3M5-11650-10	E 5	3R6-14613-01	B 9	5X8-17411-00	B14	5X4-22141-00	C 7		C15
1W1-W1414-00	B 7	3R2-11651-00	B 3	4J0-14617-00	B 9	137-17417-00-05	B12		C 8	4V2-23125-L0	C13
3R3-W1415-00	B 7		E 5	5X8-14714-00	B 9	3R3-17421-00	B14	5X6-22147-00	C 7		C14
239-W1418-00	B 7	3M5-11681-00	B 3	5X8-14752-01	B 9	1G8-17461-10	B15	1W1-22151-00	C 8	4V5-23126-L0	C13
5X4-W1442-00	B 5		E 6	5X8-14753-00	B 9	1G8-17461-30	B15	5X6-22151-10	C 7	122-23129-00	C13
5X8-W2473-00	D 4	5X8-13565-00	B 5	5X8-14771-00	B 9	1W1-17461-20	B15	5X3-2217A-00	C 8	5X4	C14
	E 3	5X8-13581-00	B 5	565-14771-00	B 9	3R3-17471-00	B14	5X3-2217F-00	C 8	4V5-23136-L0	C14
5X8-11111-00	B 2	3R6-13610-00	B 5	1M1-14772-00	B 9	5X4-18101-00	C 3	5X6-2217H-00	C 8	5X8-23141-L0	C13
3R6-11161-00	B 2	3R3-13613-00	B 5	1W2-14787-00	B 9	5X4-18111-01	C 3	4V4-22178-00	C 4		C14
3R6-11162-00	B 2	3R6-13616-00	B 5	5X3-15111-00	B10	1W6-18113-00	C 3	4V4-22184-00	C 4	5X8-23141-10	E 4
5X8-11181-00	B 2	3R3-13621-00	B 5	4V2-15121-00	B10	3R3-18140-00	C 2	5X4-22199-00	C 7	5X8-23141-20	E 4
5X9-11181-00	B 2	5X8-14101-00	B 7	3R3-15128-01	B10	5X4-18162-00	C 3	5X8-22210-00	C10	1W4-23142-L0	C13
5X8-11311-00	B 2	5X8-14112-20	B 7	1G8-15362-00	B11	1W1-18177-00	C 2	5X8-22212-00	C10		C14
4V2-11351-00	B 2	500-14115-00	B 7	2N4-15371-00	B10	3R4-18185-00	C 2	5X8-22212-10	E 4	3R4-23144-00	C13
3R6-11400-00	B 3	363-14131-00	B 7	2K7-15383-00	B14	3R3-18511-00	C 2	5X8-22212-20	E 4		C14
3R3-11412-00	B 3	509-14136-00	B 7	3R3-15411-00	B11	3R3-18512-00	C 2	3R4-22213-00	C10	1W4-23145-L0	C13
3R6-11422-00	B 3	239-14141-44	B 7	3R6-15421-00	B11	3R3-18513-00	C 2	3R4-22214-00	C10		C14
5X8-11601-00	B 3	193-14142-60	B 7	5X9-15431-00	B11	3R4-18531-00	C 2	5X6-22216-00	C10	4V2-23146-L0	C13
	E 5	137-14143-54	B 7	3R3-15451-01	B11	3R4-18535-00	C 2	3R4-22221-01	C10		C14
5X8-11601-10	B 3	137-14143-56	B 7	3R6-15455-00	B11	5X4-18540-00	C 2	3R4-22223-00	C10	3J2-23147-00	C13
	E 5	137-14143-58	B 7	3R3-15618-01	B12	3R4-18561-00	C 2	5X3-22224-00	C10		C14
5X8-11601-20	B 3	313-14146-00	B 7	5X3-15620-00	B12	5X9-21110-00-33	C 4	5X6-22226-00	C10	3R4-23148-00	C13
	E 5	483-14146-00	B 7	5X3-15621-00	B12	4J0-21170-00	C 6	3R4-22228-00	C10		C14
5X8-11601-30	B 3	558-14147-00	B 7	3R3-15641-00	B12	288-21376-00	D15	5X6-22261-00	C11	1W4-23151-L0	C13
	E 5	1G8-14153-00	B 7	3R3-15651-01	B12	5X8-2147A-00	C 4	3R3-22262-00	C11		C14
5X8-11601-40	B 3	483-14184-00	B 7	248-15654-00	B12	3R3-2148A-00	C 4	5X8-22311-00	C 7	3R4-23153-00	C13
	E 5	310-14185-00	B 7	3R3-15660-00	B12	3R9-21511-10	C 5	5X9-22312-00	C 9		C14
5X8-11630-00	E 5	127-14186-00	B 7	3R3-15666-00	B12	5Y0-21610-00	C 5	5X9-22318-00	C 9	4V2-23157-L0	C13
5X8-11630-10	E 5	310-14187-00	B 7	3R6-16111-00	B13	5Y0-21620-00	C 5	5X8-22321-00	C 8		C14
5X8-11630-20	E 5	239-14190-33	B 7	3R6-16150-00	B13	5Y0-21637-00	C 5	5X8-22401-00	C10	509-23158-L0	C13
5X8-11630-30	E 5	239-14195-00	B 8	537-16321-00	B13	5X3-21642-00	C 5	5X3-22409-00	C10		C14
5X8-11630-40	E 5	493-14196-00	B 7	137-16325-70	B13	5X3-21652-00	C 8	4L0-22472-00	C10	4V2-23167-L0	C14
5X8-11631-00-95	B 3	310-14197-00	B 7	1W1-16351-00	B13	5Y0-21685-00	C 5	3R4-22473-00	C10	5X8-23170-L0	C13
	E 5	4V3-1441K-00	B 5	1W1-16356-01	B13	5X8-21711-00-26	C 6	3R4-22475-00	C10		C14
5X8-11631-00-96	B 3	5X3-14411-00	B 5	2X3-16357-00	B13	5X8-21721-00-26	C 6	5X3-22489-00	C10	4V2-23171-L0	C13
	E 5	5X8-14412-00	B 5	1W1-16358-00	B13	5X8-21737-00	B 6	5X8-22493-00	C10		C14
251-11633-00	B 3	5X8-14437-00	B 6	1G8-16371-00	B13		C 6	5X3-22497-00	C10	3R4-23173-L0	C13
	E 5	5X4-14452-00	B 5	3R3-16380-02	B13	565-21746-00	C 5	5X8-23102-L0	C13		C14
4V2-11634-00	B 3	5X8-14452-00	B 6	5X4-17121-01	B14	4J0-2176E-00	C 6	5X8-23103-L0	C14	3R4-23181-L0	C13
	E 5	5X9-14453-00	B 5	3R3-17131-01	B14	5Y0-2177A-00	C 6	5X4-23110-L0	C13		C14
5X8-11635-00	B 3	5X3-14455-00	B 5	3R3-17151-02	B14	4J2-21773-00	C 6		C14	4V4-23190-L0	C13
	E 5	1W1-14457-01	B 5	5X8-17161-00	B14	5X8-22110-00-35	C 7	5X4-23111-L0	C13		C14
5X8-11636-00	B 3	5X8-14457-00	B 6	5X8-17211-00	B14	5X6-22123-00	C 8		C14	3R4-23191-M0	C13
	E 5	5X4-14458-00	B 5	3R3-17221-01	B14	156-22127-00	C 7	1W4-23114-L0	C13		C14
5X8-11637-00	B 3	5X4-14462-00	B 6	3R3-17231-01	B14	2K6-22128-01	C 7		C14	1W4-23192-L0	C13
	E 5	5X8-14462-00	B 6	3R3-17241-01	B14	322-22128-01	C 8	5X8-23118-L0	C14		C14
5X8-11638-00	B 3	2X4-14468-00	B 5	3R3-17251-02	B14	5X6-22129-00	C11		C15	4V2-23194-L0	C13

NUMERICAL INDEX

PART NO.	GRID NO.	PART NO.	GRID NO.
4V2-23194-L0	C15	437-25330-01	D 6
1W2-23318-00	C12	401-25351-00	D 6
4V5-23340-L0-33	C15	3R6-25355-01	D 6
3R4-23389-00	C12	148-25359-00	D 6
	C15	3R3-25367-00	D 7
4V5-23389-00	C15	5X8-25381-00	D 7
1W1-23416-00	C12	1W2-25388-01	D 7
1W4-23435-00-98	C12	1W2-25389-01	D 7
1E6-23441-00-98	C12	2X3-25394-00	D 6
1W4-23489-L0	C13	3R6-25442-10-33	D 6
	C14	3R6-25444-10-33	D 6
	D 2	3R6-25446-10-33	D 6
5X8-24110-00	D 2	5X8-26111-00	D 8
1W1-24144-01	D 2	4V4-26241-00	D 8
5X6-2415F-00	D 2	3R9-26242-00	D 8
3R3-24173-00	D 2	322-26243-00	D 8
3R4-24181-00	D 2	1W1-26249-00	D 8
431-24181-00	C 6	5X2-2628H-00	D 8
1W1-24182-01	D 2	5X2-26281-00	D 8
1W1-24183-00	D 2	322-26282-00-98	D 8
5X8-24240-09	D 3	5X8-26311-00	D 8
3R9-24500-00	D 2	500-26329-01	D 8
2W6-24512-00	D 2	5Y0-26335-00	D 8
357-24522-10	D 2	5X9-26341-00	D 8
2N3-24528-00	D 2	156-26347-00	D 8
2N3-24535-00	D 2	382-26372-01	D 8
3R9-24611-00	D 2	498-26372-00	D 8
3R9-24612-00	D 2	5Y0-27211-00-90	D 9
509-24724-00	D 4	5X8-27231-00	D 9
1W1-24738-00	D 4	3R6-27237-00	D 6
5X8-24771-00	D 4	1W2-27239-00	D 9
4V5-24833-00	D 4	5X8-27242-00	D 9
4V5-24850-00	D 4	5X8-27311-00-33	D10
1W1-25016-11-98	D 5	5X3-27411-00	D 9
4J0-25026-00-98	D 6	4V4-27421-00	D 9
2W6-25104-02	D 5	5X3-27422-00	D 9
1K7-25111-11-98	D 5	1W2-28100-10	D 4
146-25116-00	D 5	1W1-28135-10	D 4
322-25130-00	D 5	104-81328-20	B 4
322-25151-00	D 5	110-81345-21	B 4
322-25155-00	D 5	4F4-81910-60	D15
137-25159-00	D 5	353-81970-50	D15
4V5-25181-00	D 5	2E9-82110-11	D15
1W2-25190-00	D 5	3W1-82122-00	D15
1T1-25194-00	D 5	1E6-82131-00	B 5
4V2-25304-00	D 6	3W1-82131-00	D15
3R3-25311-02-98	D 6	1E6-82150-00	D15
183-25315-00	D 6	1E6-82151-00	D15
3R3-25317-00	D 6		

PART NO.	GRID NO.	PART NO.	GRID NO.
4V5-82310-40	D15	4V5-82310-40	D15
3R0-82370-20	D15	8E7-82370-11	D15
5Y0-82530-00	D15	5L4-82508-20	D15
5X9-82590-00	D15	3R5-85509-20	B 4
498-82911-00	E 3	3R5-85511-20	B 4
4J0-82921-30	E 3	3R5-85512-20	B 4
5X9-83310-10	D11	4J0-85513-20	B 4
308-83311-30	D11	4J0-85515-20	B 4
5Y1-83312-00	D11	1W2-85516-20	D11
5Y1-83313-00	D11	2W6-85540-20	D15
5X9-83318-01	D11	2K7-85547-00	D15
5X9-83328-01	D11	3R6-85550-20	B 4
3E1-83350-11	E 2	3R6-85580-20	B 4
4U5-83371-10	E 2	90101-06278	D 6
5L4-83513-00	D12	90101-06291	D 5
5L4-83519-00	D12	90101-06304	D 4
437-83525-00	D12	90101-08428	D 9
1M1-83526-00	D12	90105-12096	D 9
4V5-83550-00	D12	90105-14102	C12
3R8-83570-F0	D12	90109-06410	E 3
4V5-83592-00	D13	90109-08032	D10
3M2-83912-00	E 3	90109-08397	C15
3M2-83922-00	E 3	90109-08599	C 7
256-83936-00	C 5	90109-10550	C10
437-83936-00	D 8	90109-10648	C11
	D 8	90109-12646	C 8
	D 8	90110-08038	D 6
	D 8	90116-08394	B 2
	D 8	90116-10278	B 2
	D 8	90119-06022	D 2
	D 8	90123-08046	D 8
	D 8	90149-06011	D15
	D 8	90159-05011	B13
	D 8	90159-05026	C 8
	D 8	90170-12067	B 4
	D13	90170-14171	B13
	D13	90170-16111	C 7
	D13		C 8
	D13	90170-20213	C10
	D13	90171-14020	D 5
	D13		D 7
	D13	90175-06012	B 5
	D13	90175-06013	D 9
	D13	90179-08148	D 8
	D14	90179-08278	C 7
	D14	90179-08299	B 4
	D14	90179-10272	B12
	D14	90179-10292	B 2

NUMERICAL INDEX

PART NO.	GRID NO.	PART NO.	GRID NO.
90179-12302	B13	90209-06187	C 5
90179-16226	B15	90209-18135	B14
90179-25033	C12	90209-22071	B 3
90185-08089	C 4		E 6
	D 7	90214-09019	C 4
	C 8	90215-14144	B13
90185-12061	C 9	90215-16127	B15
90201-04M06	C 9	90215-16198	C 8
90201-05033	D15	90240-06040	D 9
90201-052E2	D12	90240-08012	D 8
90201-06042	C 3	90243-08020	C 3
90201-06052	B 6	90249-16153	C 8
90201-06067	B11	90250-06013	C 2
	C 7	90267-40075	C 8
90201-06071	C 8		C 9
90201-061E8	C 5	90280-03017	B 3
	C 6	90282-04036	C 2
90201-06407	D 2	90282-05038	B 3
90201-06557	C 5	90338-07011	B10
90201-06571	C 5	90338-12131	C 4
	C 6	90340-12059	B10
	D 4	90380-12094	C11
90201-06755	C 5	90380-14095	C 8
90201-08083	D 8	90380-16077	C 7
	E 3	90384-16156	C 8
90201-08113	C 4	90384-18157	C10
90201-08544	C15	90386-22097	C 7
90201-08638	C 4	90387-06388	C 5
90201-100E9	C11	90387-06574	C 6
90201-10430	C10	90387-07391	C 5
90201-120E6	C 8	90387-07393	D 2
90201-12593	B 4	90387-081A3	B 9
90201-12631	D 6	90387-08762	D 9
90201-13202	C 4	90387-152A3	D 7
90201-14217	B13	90387-163F6	C 8
90201-15238	D 7	90387-16781	B10
90201-15701	B14	90387-202A0	B15
90201-15785	D 5	90387-440G3	C 7
90201-160F6	C 7	90430-06016	B11
	C 8	90430-12038	B10
90201-16243	C 9	90445-07340	B10
90201-17550	B13	90445-08048	D15
90201-20266	B14	90445-09117	D 2
90201-22555	B14	90445-11356	D 2
90201-22680	C 7	90445-21562	B 5
90202-06010	B 9	90446-11180	C 3
	D 2	90460-39202	B 9
90204-12007	B13	90460-49058	B 5
90206-14067	C10		

NUMERICAL INDEX

NUMERICAL INDEX

PART NO.	GRID NO.	PART NO.	GRID NO.	PART NO.	GRID NO.	PART NO.	GRID NO.	PART NO.	GRID NO.	PART NO.	GRID NO.
90460-64065	B 5	91401-40030	C 9	92901-06100	D 8	93306-20205	D 5	95301-06600	D 4	98501-05016	B 7
90460-75020	B 5	91701-08032	D 9		D12		D 6		D 6	98501-05018	C12
90461-10065	D15	91702-05035	D 7		D15	93306-20529	B 3	95301-06700	D10		
90462-05005	B 5	91702-12040	B12		E 2	93306-30203	D 6	95301-08700	D10	98501-05025	D15
	D15	91830-21014	B 2	92901-06200	B11	93306-30303	B14	95302-10700	C10	98503-04010	D11
90465-14192	D 8		B10		B13	93306-30406	B 3	95311-06600	C15	98506-05016	D 8
90467-10008	D 2		B11		D 9	93306-30411	B14	95311-08600	C15	98506-05022	E 3
90467-20030	B 5	92501-06008	B 9	92901-06600	B 4	93310-216E1	B 3	95601-06100	E 3	98606-04012	D 8
90467-20050	B 5	92501-06010	D 2		B 5		E 6	95601-08100	D 9	98701-05016	C 2
90468-26048	B12	92501-06012	B 9		B 9	93310-422H0	B 3	95601-10100	C11	98902-06018	D 2
90480-10068	D 5		C 6		C 9		E 6	95602-06100	D 4		
	D 6		C 8		D 2	93311-31515	B14	95602-08100	C 4		
90480-12053	D13		C 9		D 4	93311-41530	B14		C 7		
90480-14198	C 5		D15		D12	93315-21429	B13	95701-06100	C 5		
90480-15279	C 6	92501-06015	B 4	92901-08100	B 9	93317-22023	C 8	95701-08100	C12		
90480-22263	C11		B 6		C 4	93317-22208	C 7	95702-12100	D11		
90480-22269	B 9		B11		C15		C 8	95801-06020	C 7		
90501-10245	D 9		C 5	92901-08200	C 4	93332-00008	C12	95801-06025	C 9		
90501-12081	B12		C 6		D 7	93332-00023	C12	95802-08045	C 7		
90501-20361	B13		C 7	92901-08600	C 4	93410-17037	B12	95811-08100	C 4		
90506-16036	D 5		D 8		D 9	93410-20038	B14	95811-08165	C 4		
	D 6	92501-06020	B11	92901-12100	B 4	93410-22039	B14	95811-10020	D 9		
90507-20030	B 9		C 7	92902-05100	B 7	93410-30012	B12	95821-08035	C12		
90507-29009	D10	92501-06025	B 6			93430-09038	D 9	95821-08040	C12		
90508-14426	B13		D15	92902-06100	C 5	93430-10016	C 3	95821-08055	C12		
90508-16558	C 3	92501-08010	B10		C 6	93440-15012	B12	97301-06012	D 2		
90508-20023	D 9	92502-06016	C11		D15		C11		E 2		
90508-20451	D 9	92506-06008	B11		D15	93440-50078	C10	97301-06014	C 5		
90508-26427	B12	92506-06012	C 6	92902-06200	D 4	93503-16010	B13	97301-06016	D 4		
90508-26515	C 2	92506-06025	B11	92902-06600	C11	93507-32009	B12	97301-06020	D10		
90508-29361	C 3		C 5	92902-08600	C 7	93604-16092	B13	97301-06025	B 5		
90508-32544	D 9		E 3	92902-12200	D 9	93604-26132	C10		C 5		
90560-11189	C 3	92701-06012	B14	92906-06100	E 3	93608-25150	C 3	97301-06045	C 6		
90560-15116	D 5	92901-04100	B 4	93101-12060	C 3	93700-06004	C 9	97301-08016	C 4		
90560-17190	B13	92901-04600	D13	93101-17062	B12		C11	97301-08030	B 9		
91316-06035	B10	92901-05100	E 2	93102-25258	B 3	94111-18781	D 6	97302-06020	C 5		
91316-06050	B10	92901-05600	C12	93102-26042	B14	94130-21731	D 5	97302-08050	C 4		
91401-16010	D 7			93103-28126	B 3	94211-18209	D 6	97306-06020	E 3		
91401-20015	D 8	92901-06100	B 6	93104-14004	B13	94230-21126	D 5	97321-06012	B 9		
	D 9		B 9	93106-22017	D 6	94325-18043	D 6		B14		
91401-20020	C10		C 5	93108-35004	C 7	94330-21088	D 5		D12		
91401-25015	D 9		C 6	93109-20029	C 8	94416-21234	D 5	97321-06020	C 3		
91401-25020	C 8		C 7	93109-22018	C 7	94418-18245	D 6	97602-03108	B 5		
	C11		C 8	93210-14104	B11	94585-20104	D 7	97701-40530	D11		
91401-25025	D 6		C 9	93210-20027	B13	94685-20001	D 7	98501-04005	C10		
91401-30030	D 5		C15	93306-00422	C 2	*	B 2	98501-04014	B 4		
	D 7		D 2	93306-20107	C 2	95301-05600	C12	98501-04030	B 4		
91401-40020	B12		D 4	93306-20203	D 5	95301-06600	B13	98501-04035	B 4		

PARTS NAME INDEX

DESCRIPTION	GRID NO.
ABSORBER 1	B 2
ABSORBER 2	B 2
ADJUSTER SET	B 7
AIR SCREW SET	B 7
AIR VALVE COMP.	C13
*	C14
ARM, float	B 7
ARM, relay	C 8
AXLE, drive	B14
AXLE, main (12T)	B14
AXLE, wheel	D 5
*	D 7
BALL	B12
*	B13
BAND	B 5
*	C13
*	C13
*	C14
*	C14
BAND, battery	B 5
*	D15
BAND, rim (2.50-18)	D 6
BAND, rim (3.00-21)	D 5
BAND, switch cord	C 5
*	D 8
*	D 8
*	D15
*	D15
*	D15
*	E 3
*	E 3
BAND, tank fitting 1	D 2
BAND, tool	D15
BAR, shift fork guide 1	C 2
BAR, shift fork guide 2	C 2
BASE, magneto	B 4
BATTERY ASSY (6N2-2A-7)	D15
BEARING	C 2
*	C12
*	C12
BEARING (B6201)	C 2
BEARING (B6202)	D 5
*	D 6
BEARING (B6202RS)	D 5
BEARING (B6205C4)	B 3
BEARING (B6302Z)	D 6
BEARING (B6303Z)	B14
BEARING (B6304)	B14

PARTS NAME INDEX

DESCRIPTION	GRID NO.
BEARING (B6304C3)	B 3
BEARING, cylindrical	B 3
*	B 3
*	B13
*	B14
*	B14
*	C 7
*	C 7
*	C 8
*	C 8
*	C 8
*	E 6
*	E 6
BODY ASSY, headlight	D13
BODY, cap	D 2
BOLT	B 5
*	B 9
*	B 9
*	B10
*	B10
*	B14
*	C 3
*	C 4
*	C 4
*	C 5
*	C 5
*	C 5
*	C 6
*	C 7
*	C 8
*	C10
*	C11
*	C15
*	D 2
*	D 4
*	D 4
*	D 4
*	D 5
*	D 6
*	D 8
*	D 8
*	D 9
*	D 9
*	D10
*	D10
*	D12
*	E 2
*	E 3
*	E 3
*	E 3
*	E 3

PARTS NAME INDEX

DESCRIPTION	GRID NO.
BOLT, cap	C13
*	C14
BOLT, fitting	D14
BOLT, flange	C 4
*	C 4
*	C 7
*	C 7
*	C 9
*	C12
*	C12
*	C12
*	D 9
BOLT, hexagon socket head	C13
*	C14
*	D 6
BOLT, stopper	C 2
BOLT, stud	B 2
*	B 2
BOLT, washer based	C12
*	D 9
BOLT, with washer	D 2
BOOT	C13
*	C14
BOSS, clutch	B13
BOSS, kick crank	B12
BOX	C 6
BOX COMP.	C 6
BRACKET, carrier 2	D 4
BRACKET, footrest 2	D 9
BRACKET, license	C 5
BRACKET, meter	D12
BRACKET, seat	D 4
BRAKE SHOE COMP.	D 5
*	D 6
BRAKE SHOE PLATE ASSY	D 5
*	D 6
BREATHER	B10
BULB (6V-10/3W)	D14
BULB (6V-21W)	D11
BULB, headlight	D13
BUMP, stop	C10
BUSH	C 4
*	C 7
BUSH 1'	C 8
BUSH, bimetal formed	C 8
*	C10
BUSH, rear shock absorber	C10
BUSH, shock absorber lower	C10

PARTS NAME INDEX

DESCRIPTION	GRID NO.
BUSH, solid	C 7
*	C 8
*	C11
*	C11
C.D.I. MAGNETO ASSY	B 4
C.D.I. UNIT ASSY	D15
CABLE, brake	D 8
CABLE, clutch	D 8
CABLE, throttle 1	D 8
CAMSHAFT	D 5
*	D 6
CAP, case	C10
CAP, cleaner case 1	B 5
CAP, grip lower	D 8
CAP, grip upper	D 8
CAP, rubber	D 8
CAP, silencer	B 9
CAP, wire	D 8
CARBURETOR ASSY 1	B 7
CARRIER BOX ASSY	D 4
CASE, air cleaner 1	B 5
CASE, chain	C 7
CASE, chain 2	C 9
CHAIN, drive (DID520DS 104L)	D 7
CHAMBER, air	B 5
CIRCLIP	B12
*	B12
*	B12
*	B14
*	B14
*	B14
*	B14
*	C 3
*	C10
*	D 9
CLAMP	B 4
*	B 5
*	D 8
*	D15
*	D15
CLAMP, hose	B 5
*	B 5
*	B 5
*	B 9
CLAMP, wire	C 5
CLIP	B 5
*	B 5
*	B12
*	D 2

PARTS NAME INDEX

DESCRIPTION	GRID NO.
CLIP	D12
CLIP, Piston Pin	B 3
*	E 5
*	E 5
*	E 5
*	E 5
*	E 5
COIL, lighting 1	B 4
COIL, Pulser	B 4
COIL, source	B 4
*	B 4
COLLAR	B 9
*	B10
*	B15
*	C 5
*	C 5
*	C 6
*	C 7
*	C 8
*	D 2
*	D 7
*	D 9
*	D14
CONNECTING ROD ASSY	E 5
COVER	C10
COVER, ball race 2	C12
COVER, crankcase 1	B11
COVER, crankcase 2	B11
COVER, crankcase 3	B11
COVER, dust	C 8
COVER, dust seal	C13
*	C14
COVER, handle lever 1	D 8
*	D 8
COVER, hub dust	D 7
COVER, kick lever	B12
COVER, semi-double seat	D 4
COVER, shift Pedal	C 3
COVER, side 1	C 6
COVER, side 2	C 6
COVER, thrust 1	C 7
*	C 8
COVER, thrust 2	C11
CRANK 1	B 3
CRANK 2	B 3
CRANKCASE 1	B10
CRANKCASE 2	B10
CRANKSHAFT ASSY	B 3

PARTS NAME INDEX

DESCRIPTION	GRID NO.
CROWN, handle	C12
CYLINDER COMP., front fork	C13
*	C14
CYLINDER 1	B 2
DAMPER	D12
*	D13
*	D15
DAMPER 1	C 9
DAMPER 2	D12
DAMPER, headlight stay	D13
DAMPER, locating 1	C 6
*	D 2
DAMPER, locating 2	D 2
DAMPER, locating 3	D 2
DAMPER, seat	D 4
DAMPER, sub tank	C11
DUCT	B 6
DUMPER SUB ASSY	C10
ELEMENT, air cleaner	B 5
EMBLEM	B 5
*	B 6
*	C 6
EMBLEM, headlight	D13
EXHAUST PIPE ASSY 1	B 9
FENDER, front	C 5
FLANGE, spacer	D 6
FLANGE, spacer 2	D 5
FLASHER RELAY ASSY	E 2
FLOAT	B 7
FOOTREST 1	D 9
FOOTREST 2	D 9
FORK, shift 1	C 2
FORK, shift 2	C 2
FORK, shift 3	C 2
FRAME COMP	C 4
FRONT FLASHER LIGHT ASSY 1	D11
FRONT FORK ASSY (L.H)	C13
FRONT FORK ASSY (R.H)	C14
FRONT STOP SWITCH ASSY	E 3
FUEL COCK ASSY 1	D 2
FUEL TANK COMP.	D 2
FUSE (6V-10A)	D15
FUSE HOLDER ASSY	D15
GASKET	B10
*	B11
*	C13
*	C13
*	C14

PARTS NAME INDEX

DESCRIPTION	GRID NO.
GASKET	C14
*	D 2
GASKET 1	B11
GASKET, cap	D 2
GASKET, crankcase cover	B11
GASKET, cylinder	B 2
GASKET, cylinder head 1	B 2
*	B 2
GASKET, drain Plug	C13
*	C14
GASKET, exhaust Pipe	B 9
GASKET, flasher lens	D11
GASKET, float chamber	B 7
GASKET, muffler	B 9
GASKET, valve seat	B 5
GEAR UNIT ASSY	D 5
GEAR, kick (25T)	B12
GEAR, Primary drive (17T)	B13
GEAR, sprocket idle (25T)	B12
GEAR, 1st wheel (33T)	B14
GEAR, 2nd Pinion (14T)	B14
GEAR, 2nd wheel (26T)	B14
GEAR, 3rd wheel (24T)	B14
GEAR, 3rd/4th Pinion (16T,20T)	B14
GEAR, 4th wheel (25T)	B14
GEAR, 5th Pinion (19T)	B14
GEAR, 5th wheel (21T)	B14
GEAR, 6th Pinion (21T)	B14
GEAR, 6th wheel (19T)	B14
GRAPHIC SET	D 3
GRIP (L.H)	D 8
GRIP (R.H)	D 8
GROMMET	B 9
*	C 5
*	C 6
*	C 6
*	C11
*	D 5
*	D 6
*	D13
GUARD, chain	C 9
GUARD, engine 1	C 4
GUARD, flap	C 5
GUIDE	B 5
GUIDE, cable	C12
*	C15
*	C15
GUIDE, spring 1	C10

PARTS NAME INDEX

DESCRIPTION	GRID NO.
GUIDE, spring 2	C10
HANDLEBAR	D 8
HEAD, cylinder 1	B 2
HEADLIGHT UNIT ASSY	D13
HOLDER	B10
HOLDER, axle	C14
HOLDER, cable 1	C12
HOLDER, damper	D 2
HOLDER, handle upper	C12
HOLDER, kick gear	B12
HOLDER, lever 1	E 3
HOLDER, lever 2	E 3
HOLDER, sub tank	C11
HORN	E 2
HOSE	B 5
*	B10
*	C 3
*	D 2
*	D 2
*	D15
HOUSING, seal ring	C10
HUB, front	D 5
HUB, rear	D 6
IGNITION COIL ASSY	D15
INNER TUBE COMP.1	C13
*	C14
JET, main (#270)	B 7
JET, main (#280)	B 7
JET, main (#290)	B 7
JET, Pilot (#60.0)	B 7
JOINT, air cleaner 1	B 5
JOINT, cable	D 8
JOINT, carburetor	B 5
JOINT, chain	D 7
KEY, straight	B 3
*	C 2
KEY, woodruff	B 3
KICK AXLE ASSY	B12
KICK CRANK ASSY	B12
LEAD WIRE ASSY	B 4
LENS, flasher	C11
LENS, taillight	D14
LEVER 1	E 3
LEVER 2	E 3
LEVER, camshaft	D 6
LEVER, camshaft 1	D 5
MAIN SWITCH ASSY	D15

PARTS NAME INDEX

DESCRIPTION	GRID NO.
METAL, slide 1	C13
*	C14
MUD-GUARD COMP.	C 5
NEEDLE SET (6F21)	B 7
NEEDLE VALVE ASSY	B 7
NIPPLE, grease	C 9
*	C11
NOZZLE, main (P-4)	B 7
NUT	B 2
*	B 2
*	B 4
*	B12
*	B13
*	B13
*	B13
*	B15
*	C 7
*	C 7
*	C 8
*	C10
*	C10
*	C12
*	C12
*	C15
*	C15
*	D 4
*	D 6
*	D 8
*	D10
*	D10
NUT, adjust	D13
NUT, adjusting	C10
NUT, castle	D 5
*	D 7
NUT, flange	C 5
*	C12
*	D11
*	D11
*	D11
*	D11
NUT, self-locking	C 4
*	C 8
*	D 7
NUT, u	C 4
*	C 7
*	C11
*	D 4
*	D 9

PARTS NAME INDEX

DESCRIPTION	GRID NO.
NUT, u	D 9
*	E 3
*	E 3
NUT, wing	B 5
*	D 9
O-RING	B 7
*	B11
*	B13
*	C13
*	C14
*	D 2
*	D 2
OIL SEAL	B 3
*	B 3
*	B12
*	B13
*	B14
*	C 3
*	C 7
*	C 7
*	C 8
*	C13
*	C14
*	D 6
PEDAL, brake	D 9
*	D 9
PEDAL, shift	C 3
*	C 3
PIN	C 3
*	C 8
PIN, clevis	B12
*	D 6
*	D 7
*	D 8
*	D 9
*	D 9
PIN, cotter	B12
*	C 8
*	C 9
*	C10
*	C11
*	D 5
*	D 6
*	D 7
*	D 7
*	D 8
*	D 8
*	D 9
*	D 9

PARTS NAME INDEX

DESCRIPTION	GRID NO.
PIN, crank 1	B 3
*	E 6
PIN, dowel	B 2
*	B10
*	B11
*	B13
*	C 3
*	C10
PIN, float	B 7
PIN, Piston	B 3
*	E 5
*	E 5
*	E 5
*	E 5
PIN, straight	C 2
PIPE	B 7
*	B 7
PIPE, outlet	B 9
PISTON (STD)	B 3
*	B 3
*	E 5
*	E 5
PISTON (1ST O/S 0.25MM)	B 3
*	E 5
PISTON (2ND O/S 0.50MM)	B 3
*	E 5
PISTON (3RD O/S 0.75MM)	B 3
*	E 5
PISTON (4TH O/S 1.00MM)	B 3
*	E 5
PISTON ASSY (STD)	E 5
PISTON ASSY (1ST O/S)	E 5
PISTON ASSY (2ND O/S)	E 5
PISTON ASSY (3RD O/S)	E 5
PISTON ASSY (4TH O/S)	E 5
PISTON RING SET (STD)	B 3
*	E 5
PISTON RING SET (1ST O/S)	B 3
*	E 5
PISTON RING SET (2ND O/S)	B 3
*	E 5
PISTON RING SET (3RD O/S)	B 3
*	E 5
PISTON RING SET (4TH O/S)	B 3
*	E 5
PISTON, front fork	C13
*	C14

PARTS NAME INDEX

DESCRIPTION	GRID NO.
PLATE	B 7
*	B 7
*	C 6
PLATE, bearing cover	B14
PLATE, clutch 2	B13
PLATE, cover	B14
PLATE, element fitting	B 5
PLATE, friction	B13
PLATE, Pressure 1	B13
PLATE, Push	B13
PLATE, side 1	C 2
PLUG	B10
*	C 4
PLUG CAP ASSY	D15
*	D15
PLUG, drain	C13
*	C15
PLUG, oil level	B11
PLUG, screw	B 7
PLUG, spark (CHAMPION N-86)	B 2
PLUG, straight screw	B10
PRIMARY DRIVEN GEAR COMP.(52T)	B13
PROTECTOR	C 8
PROTECTOR, chain	C 7
PULLER, chain 1	D 7
PULLER, chain 2	D 7
PUSH LEVER ASSY	B13
REAR ARM COMP.	C 7
REAR FENDER COMP.	C 5
RECTIFIER ASSY	D15
REED VALVE ASSY	B 5
REED, valve	B 5
RIM (1.60-21)	D 5
RIM (1.85-18)	D 6
RING	B 7
RING, leaf	D 8
RING, Piston	C13
*	C14
RING, snap	C13
*	C14
RIVET, blind	C 8
*	C 9
ROD, brake	D 9
ROD, connecting	B 3
*	E 5
ROD, connecting 1	C 8
ROD, Push	C10
ROD, Push 1	B13

PARTS NAME INDEX

DESCRIPTION	GRID NO.
ROD, Push 2	B13
ROTOR ASSY	B 4
SCREW	D 2
SCREW, blind	D 2
SCREW, boot band	C13
*	C15
SCREW, flat head	B14
*	C 2
SCREW, lens fitting	D13
SCREW, lever fitting	D 2
SCREW, oval head	D 8
SCREW, Pan head	B 4
*	B 4
*	B 4
*	B 4
*	B 6
*	B 6
*	B 7
*	B 9
*	B 9
*	B10
*	B11
*	B11
*	B11
*	B11
*	B11
*	C 5
*	C 5
*	C 6
*	C 6
*	C 6
*	C 6
*	C 6
*	C 7
*	C 7
*	C 8
*	C 9
*	C10
*	C11
*	C12
*	D 2
*	D 8
*	D 8
*	D11
*	D15
*	D15
*	D15

PARTS NAME INDEX

DESCRIPTION	GRID NO.
SCREW, Pan head	E 3
*	E 3
SCREW, Pan head with washer	B 5
SCREW, tapping	D11
SCREW, with washer	B13
*	C 8
SEAL	B 5
*	B 5
*	B 6
*	B 6
*	B 6
*	B 6
SEAL, camshaft	D 5
*	D 6
SEAL, dust	C10
*	C13
*	C14
SEAL, Guard	C 7
*	C 8
SEAL, mud Guard	C 5
SEAT, battery	D15
SEAT, spring	B 7
*	D 9
SEAT, spring lower	C10
SEAT, spring upper	C10
*	C13
*	C14
SEGMENT	C 2
SEMI-DOUBLE SEAT ASSY	D 4
SHAFT	C 4
SHAFT, pivot	C 7
*	C 8
SHIFT CAM ASSY	C 2
SHIFT SHAFT ASSY	C 3
SHIM (0.3T)	C 7
SHIM (0.5T)	B12
SHOCK ABSORBER ASSY, rear	C10
SILENCER, exhaust	B 9
SOCKET CORD ASSY	D13
SPACER	B 4
*	B12
*	B13
*	C 3
*	C14
*	C15
*	D 5
SPACER, bead	D 5
*	D 6

PARTS NAME INDEX

DESCRIPTION	GRID NO.
SPACER, bearing	D 6
SPANNER, special	D 4
SPEEDOMETER ASSY	D12
SPEEDOMETER CABLE ASSY	D12
SPINDLE, taper	C13
*	C14
SPOKE SET, front	D 5
SPOKE SET, rear	D 6
SPRING (K=5.30)	C10
SPRING (K=4.80)	E 4
SPRING (K=5.80)	E 4
SPRING, compression	B12
*	B13
*	D 9
SPRING, front fork	C13
SPRING, front fork (K=0.302)	C14
SPRING, front fork (K=0.275)	E 4
SPRING, front fork (K=0.325)	E 4
SPRING, rebound	C13
*	C14
SPRING, screw	D13
SPRING, tension	B 9
*	D 5
*	D 6
*	D10
SPRING, throttle valve	B 7
SPRING, torsion	B12
*	B13
*	C 2
*	C 3
*	C 3
*	D 9
*	D 9
*	D 9
*	D 9
SPROCKET, drive (11T)	B15
SPROCKET, drive (12T)	B15
SPROCKET, drive (13T)	B15
SPROCKET, driven (42T)	D 6
SPROCKET, driven (44T)	D 6
SPROCKET, driven (46T)	D 6
STAND, side	D10
STARTER PLUNGER SET	B 7
STAY, chain case 1	C 8
STAY, chamber	D 2
STAY, flasher 1	D11
STAY, flasher 2	D11
STAY, muffler 1	B 9