



YAMAHA

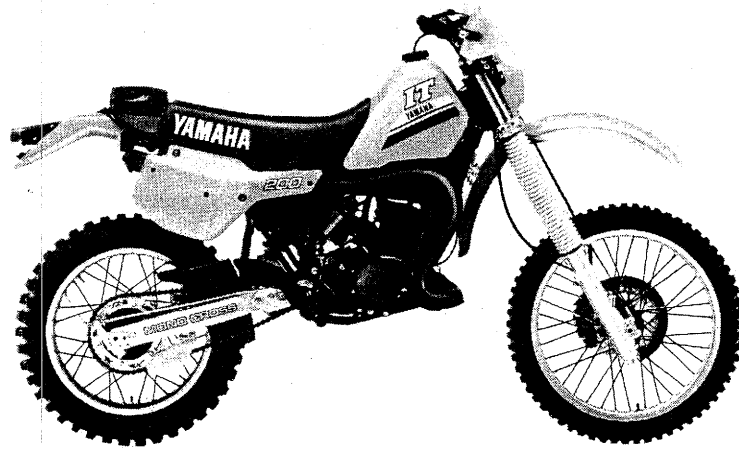
PARTS CATALOGUE

IT200S (1VG)

161VG-700E1

A2

M/Kross 1/1988



A3

FOREWORD

This Parts Catalogue is related to the parts in use for the Yamaha IT 200S (1VG).
When you are ordering replacement parts for the IT 200S (1VG), refer to this Parts Catalogue and quote both part numbers and part names correctly.

1. Modifications or additions which have been made after issue of the Parts Catalogue will be announced in the Yamaha Parts News.

It is advisable that according to the Yamaha Parts News you make necessary corrections to the Parts Catalogue on hand to keep it up-to-date.

2. Abbreviations

The following abbreviations are used in this Parts Catalogue.

- U.R. Use size (thickness) and/or number as required.
- U.N. Use as many as you need.
- A.P. Alternate Parts
- L.M. Local Made
- F# Frame No. (Applicable machine No.)

3. The parts marked with (*) in the parts number column of this Catalogue are not supplied with by Yamaha, those have to be found locally.

4. Parts, which are to be supplied in the form of assemblies, are listed with an indentation of one letter's space, and a dot (.) is put against the name of each part.

EXAMPLE CARBURETOR ASS'Y
 . JET, pilot
 . NOZZLE, main

5. Indication of No. of constituent parts for assembly

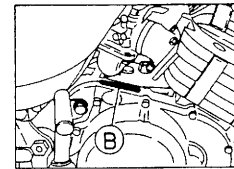
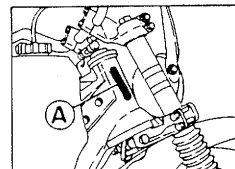
The numeral appearing to the right of each constituent part under the description indicates the quantity of such parts for each individual assembly unit.

EXAMPLE

Part No.	Description	Q'ty	Remarks
2F5-83310-60	FRONT FLASHER LIGHT ASS'Y	2	
115-83311-60	. BULB (6V-18W)	1	
1M1-83309-60	. REFLECTOR	1	

6. Initial Serial No. and Color Code

(A) Frame Serial No.	49T-007101 and following
(B) Engine Serial No.	49T-007101 and following



Color Code	Color Name	Abbreviate
G8	Sky Blue	SYB

7. Applicable colors of graphics are represented in the "Remarks" column by the letter(s) appropriately picked out of the full word(s) showing such colors.

EXAMPLE

Part No.	Description	Q'ty	Remarks
2N4-24110-00-X5	FUEL TANK COMP.	1	MAXIM RED
3J1-24240-10	. GRAPHIC, fuel tank set	1	for MXR

CONTENTS

ENGINE

Cylinder	B2
Crankshaft · Piston	B3
Intake	B4 ~ B5
Carburetor	B6
Exhaust	B7
Crankcase	B8
Crankcase Cover 1	B9
Starter	B10
Clutch	B11
Transmission	B12 ~ B13
Shift Cam · Fork	B14
Shift Shaft	B15

CHASSIS

Frame	C2
Fender	C3
Side Cover	C4
Rear Arm	C5 ~ C7
Rear Suspension	C8 ~ C9
Steering	C10
Front Fork	C11 ~ C13
Fuel Tank	C14 ~ C15
Seat	D2
Front Wheel	D3
Front Brake Caliper	D4
Rear Wheel	D5 ~ D6
Steering Handle · Cable	D7
Front Master Cylinder	D8
Stand · Footrest	D9 ~ D10

Generator	D11
Flasher Light	D12
Meter	D13
Headlight	D14
Taillight	D15
Handle Switch · Lever	E2
Electrical 1	E3 ~ E4

ALTERNATE PARTS

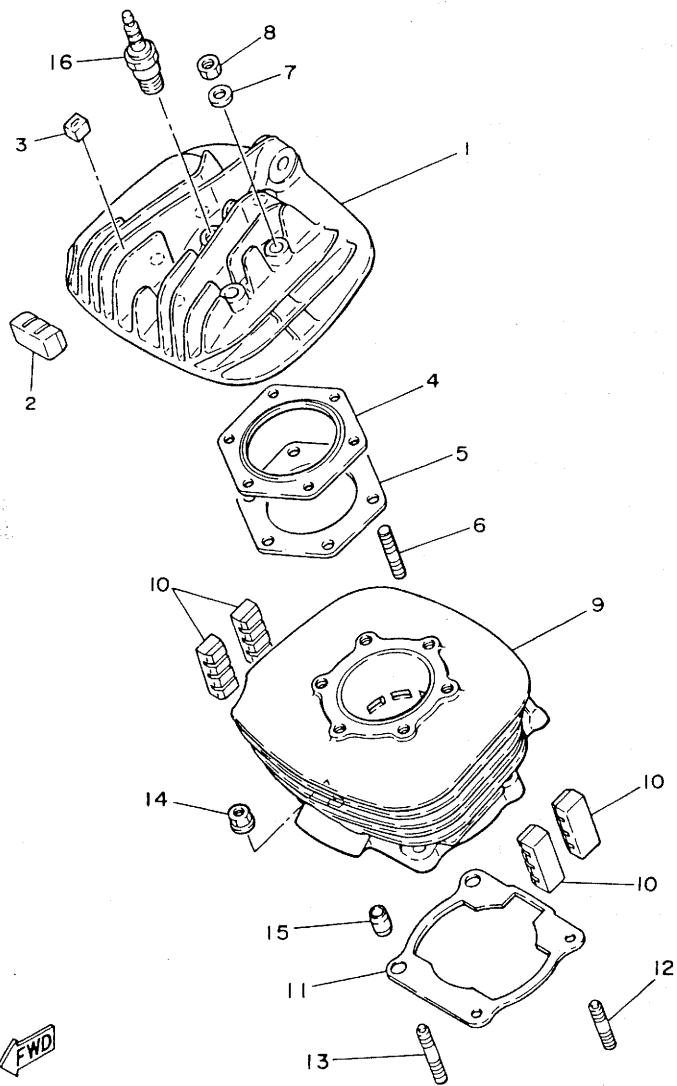
Alternate 1 (Chassis)	E5
-----------------------------	----

REPAIR KIT

Repair Kit	E6 ~ E7
------------------	---------

INDEX

Numerical Index	M1 ~ M3
-----------------------	---------



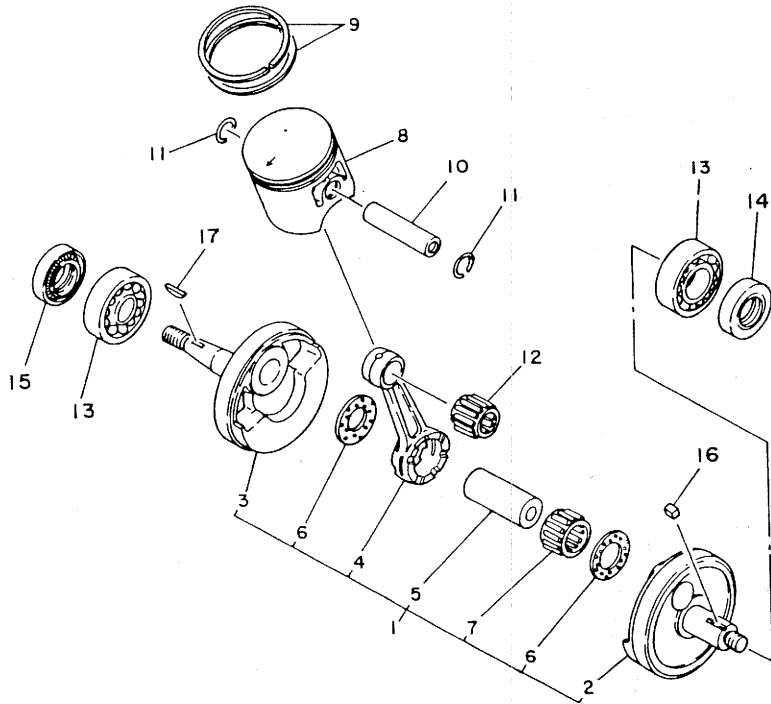
49T700-4011

FIG. 1 CYLINDER

REF. NO.	PART NO.	DESCRIPTION	Q'TY	REMARKS
1	43G-11111-00	HEAD, cylinder 1	1	
2	3R9-11162-00	ABSORBER 2	2	
3	463-11127-02	ABSORBER 3	5	
4	43G-11181-01	GASKET, cylinder head 1	1	
5	49T-11181-00	GASKET, cylinder head 1	1	
6	90116-08394	BOLT, stud	6	
7	90201-08649	WASHER, plate	6	
8	95311-08600	NUT	6	
9	43G-11311-00	CYLINDER 1	1	
10	3R6-11162-00	ABSORBER 2	4	
11	43G-11351-01	GASKET, cylinder	1	
12	90116-08318	BOLT, stud	2	
13	90116-08409	BOLT, stud	2	
14	90179-08246	NUT	4	
15	99510-10114	PIN, dowel	2	
16	*	PLUG, spark (CHAMPION N-86)	1	UR LM
	*	PLUG, spark (CHAMPION QN86)	1	UR LM for S.AFRICA

FIG. 2 CRANKSHAFT. PISTON

REF. NO.	PART NO.	DESCRIPTION	Q'TY	REMARKS
1	43G-11400-00	CRANKSHAFT ASSY	1	
2	43G-11412-00	.CRANK 1	1	
3	43G-11422-00	.CRANK 2	1	
4	43G-11651-00	.ROD, connecting	1	
5	43G-11681-00	.PIN, crank 1	1	
6	90209-22071	.WASHER	2	
7	93310-522M4	.BEARING, cylindrical	1	
8	43G-11631-00-95	PISTON (STD)	1	UR
	43G-11631-00-96	PISTON (STD)	1	UR
	43G-11635-00	PISTON (0.25MM O/S)	1	AP
	43G-11636-00	PISTON (0.50MM O/S)	1	AP
	43G-11637-00	PISTON (0.75MM O/S)	1	AP
	43G-11638-00	PISTON (1.00MM O/S)	1	AP
9	43G-11601-00	PISTON RING SET (STD)	1	
	43G-11601-10	PISTON RING SET (1ST O/S)	1	AP
	43G-11601-20	PISTON RING SET (2ND O/S)	1	AP
	43G-11601-30	PISTON RING SET (3RD O/S)	1	AP
	43G-11601-40	PISTON RING SET (4TH O/S)	1	AP
10	251-11633-00	PIN, piston	1	
11	4V2-11634-00	CLIP, piston pin	2	
12	93310-316H6	BEARING, cylindrical	1	
13	93306-20562	BEARING	2	
14	93103-32099	OIL SEAL	1	
15	93102-25331	OIL SEAL	1	
16	90282-05034	KEY, straight	1	
17	90280-03017	KEY, woodruff	1	



43G100-4020

B3

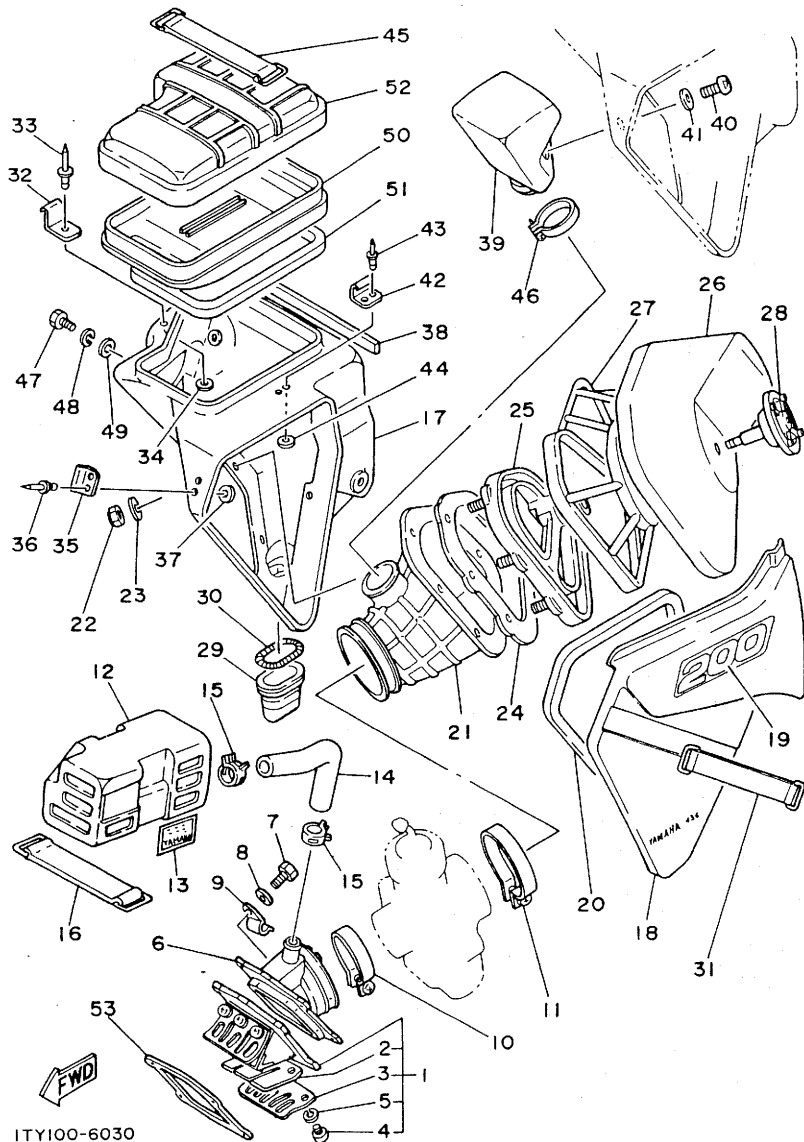
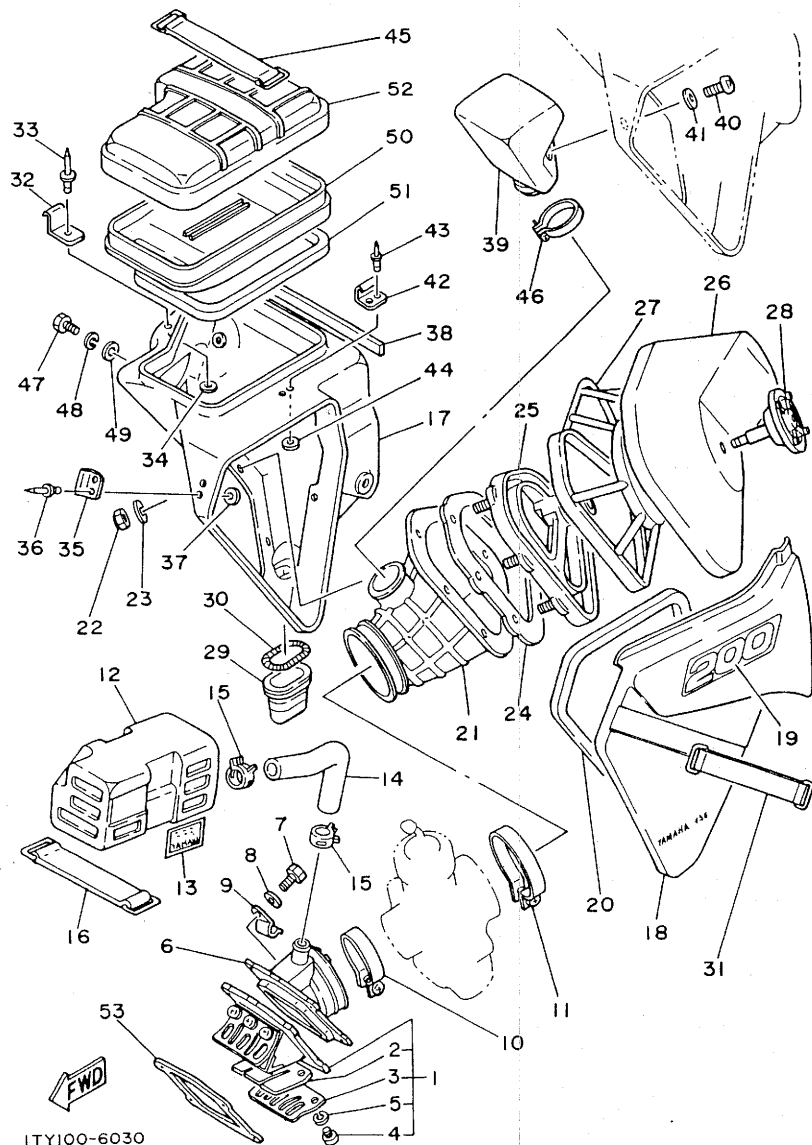


FIG. 3 INTAKE

REF. NO.	PART NO.	DESCRIPTION	Q'TY	REMARKS
1	1LX-13610-00	REED VALVE ASSY	1	
2	55Y-13613-00	.REED, valve	2	
3	55Y-13616-00	.STOPPER, reed valve	2	
4	98501-03008	.SCREW, pan head	6	
5	92990-03100	.WASHER, spring	6	
6	43G-13565-00	JOINT, carburetor	1	
7	97301-06025	BOLT	4	
8	92901-06600	WASHER, plate	4	
9	90462-05005	CLAMP	1	
10	90460-49058	CLAMP, hose	1	
11	90460-64065	CLAMP, hose	1	
12	5X8-13581-00	CHAMBER, air	1	
13	4V3-1441K-00	EMBLEM	1	
14	90445-210A6	HOSE	1	
15	90467-20050	CLIP	2	
16	1E6-82131-00	BAND, battery	1	
17	43G-14411-00	CASE, air cleaner 1	1	
18	43G-14412-00	CAP, cleaner case 1	1	
19	43G-21781-00	EMBLEM 1	1	
20	43G-14452-00	SEAL	1	
21	43G-14453-00	JOINT, air cleaner 1	1	
22	95601-05100	NUT, u	6	
23	92901-05600	WASHER, plate	6	
24	43G-14462-00	SEAL	1	
25	43G-14459-00	HOLDER, guide	1	
26	43G-14451-00	ELEMENT, air cleaner	1	
27	43G-14458-00	GUIDE	1	
28	4V2-14468-02	PLATE, element fitting	1	

ITY100-6030



ITY100-6030

FIG. 3 INTAKE

REF. NO.	PART NO.	DESCRIPTION	Q'TY	REMARKS
29	39K-14457-00	SEAL	1	
30	90504-03033	SPRING, compression	1	
31	43G-14455-00	BAND	1	
32	34K-14484-00	PLATE, cleaner case fitting	2	
33	90267-40073	RIVET, blind	2	
34	92990-04200	WASHER, plain	2	
35	26A-14436-00	HOOK	1	
36	90267-40073	RIVET, blind	2	
37	92990-04200	WASHER, plain	2	
38	43G-14457-00	SEAL	1	
39	43G-13591-00	CHAMBER, air 2	1	
40	98501-05010	SCREW, pan head	1	
41	92901-05600	WASHER, plate	1	
42	43G-14436-00	HOOK	1	
43	90267-40073	RIVET, blind	2	
44	92990-04200	WASHER, plain	2	
45	133-82131-00	BAND, battery	1	
46	90460-36174	CLAMP, hose	1	
47	97301-06012	BOLT	3	
48	92990-06100	WASHER, spring	3	
49	92901-06600	WASHER, plate	3	
50	43G-14437-00	DUCT	1	
51	43G-14467-00	SEAL	1	
52	43G-14422-00	CAP, cleaner case 2	1	
53	39W-13621-00	GASKET, valve seat	1	

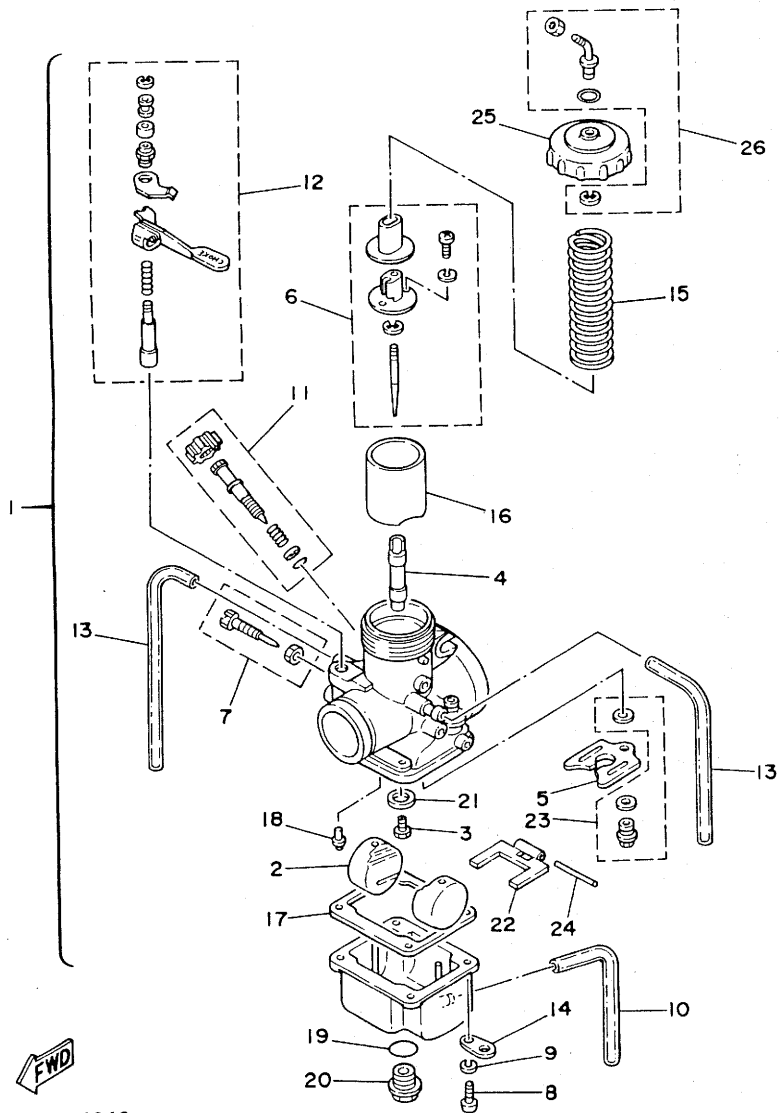


FIG. 4 CARBURETOR

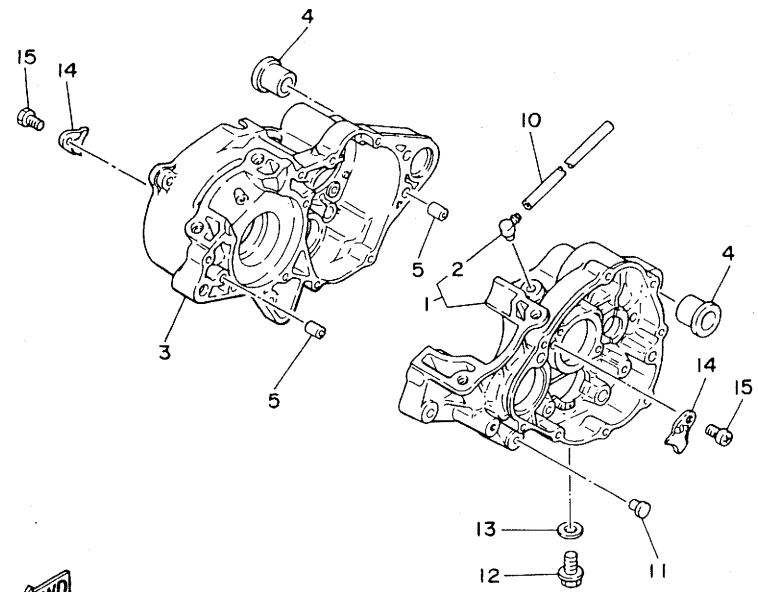
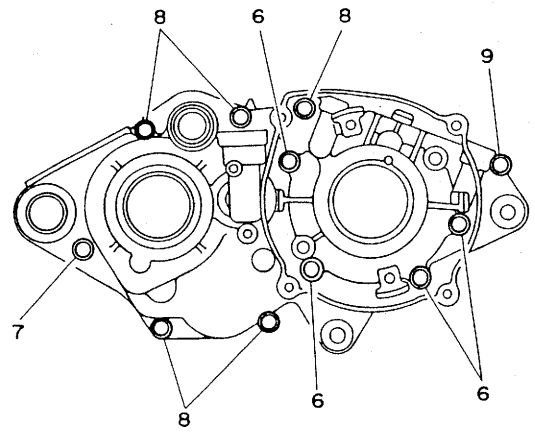
REF. NO.	PART NO.	DESCRIPTION	Q'TY	REMARKS
1	43G-14101-10	CARBURETOR ASSY 1	1	
2	310-14185-00	.FLOAT	2	
3	137-14143-66	.JET, main (#330)	1	
4	239-14141-50	.NOZZLE, main	1	
5	483-14146-00	.PLATE	1	
6	24X-1490J-00	.NEEDLE SET	1	
7	24X-14103-00	.THROTTLE SCREW SET	1	
8	98501-05016	.SCREW, pan head	4	
9	92990-05100	.WASHER, spring	4	
10	493-14196-00	.PIPE	1	
11	43G-14104-00	.AIR SCREW SET	1	
12	43G-1410A-00	.STARTER SET	1	
13	310-14197-00	.PIPE	2	
14	313-14146-00	.PLATE	2	
15	363-14131-00	.SPRING, throttle valve	1	
16	5X8-14112-20	.VALVE, throttle 1	1	
17	483-14184-00	.GASKET, float chamber	1	
18	193-14142-70	.JET, pilot (# 70)	1	
19	558-14147-00	.O-RING	1	
20	500-14115-00	.PLUG, screw	1	
21	168-14153-00	.RING	1	
22	310-14187-00	.ARM, float	1	
23	24X-14107-33	.NEEDLE VALVE SET	1	
24	127-14186-00	.PIN, float	1	
25	3R3-14158-00	.TOP, mixing chamber	1	
26	24X-14106-00	.CABLE ADJUST SCREW SET	1	

43G100-4040

B6

FIG. 6 CRANKCASE

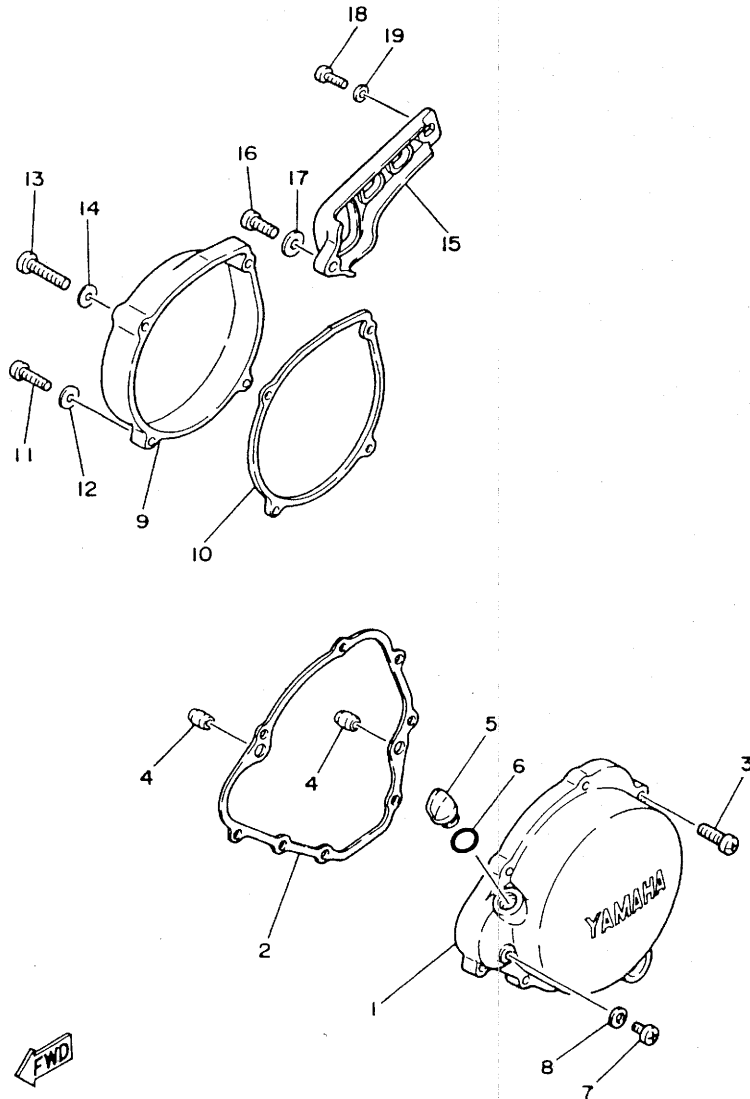
REF. NO.	PART NO.	DESCRIPTION	Q'TY	REMARKS
1	43G-W1511-00	CRANKCASE 1	1	
2	353-13115-01	.CONNECTOR, suction pipe	1	
3	43G-15121-00	CRANKCASE 2	1	
4	90387-16781	COLLAR	2	
5	99530-10014	PIN, dowel	2	
6	91316-06035	BOLT	4	
7	91316-06050	BOLT	1	
8	91316-06030	BOLT	5	
9	91316-06045	BOLT	1	
10	90445-08376	HOSE	1	
11	90338-07011	PLUG	1	
12	90340-12095	PLUG, straight screw	1	
13	90430-12038	GASKET	1	
14	3R3-15128-01	HOLDER	2	
15	92501-08010	SCREW, pan head	2	



43G100-4060

B8

FIG. 7 CRANKCASE COVER 1



REF. NO.	PART NO.	DESCRIPTION	Q'TY	REMARKS
1	3R3-15411-01	COVER, crankcase 1	1	
2	3R3-15451-01	GASKET, crankcase cover 1	1	
3	92506-06025	SCREW, pan head	8	
4	99530-10014	PIN, dowel	2	
5	1G8-15362-00	PLUG, oil level	1	
6	93210-14104	O-RING	1	
7	92506-06008	SCREW, pan head	1	
8	90430-06016	GASKET	1	
9	43G-15421-00	COVER, crankcase 2	1	
10	43G-15455-00	GASKET 1	1	
11	92506-06025	SCREW, pan head	3	
12	92906-06600	WASHER, plate	3	
13	92506-06035	SCREW, pan head	1	
14	92906-06600	WASHER, plate	1	
15	5X9-15431-00	COVER, crankcase 3	1	
16	92501-06014	SCREW, pan head	1	
17	90201-06067	WASHER, plate	1	
18	92501-06020	SCREW, pan head	1	
19	92901-06200	WASHER, plain	1	

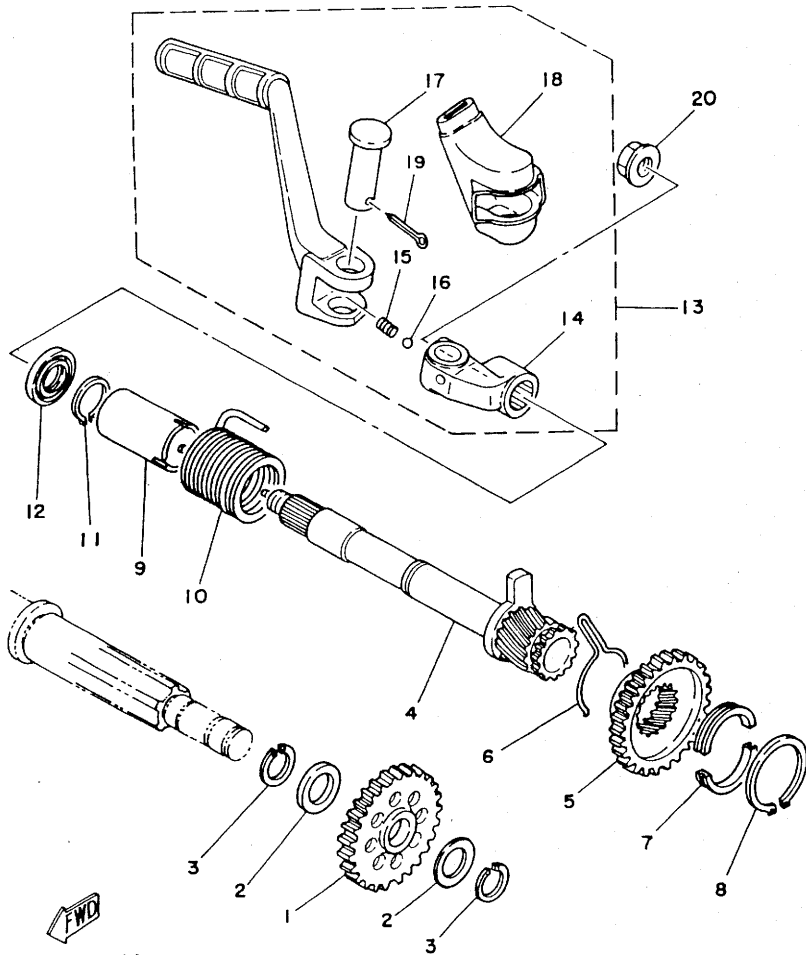


43G100-4070

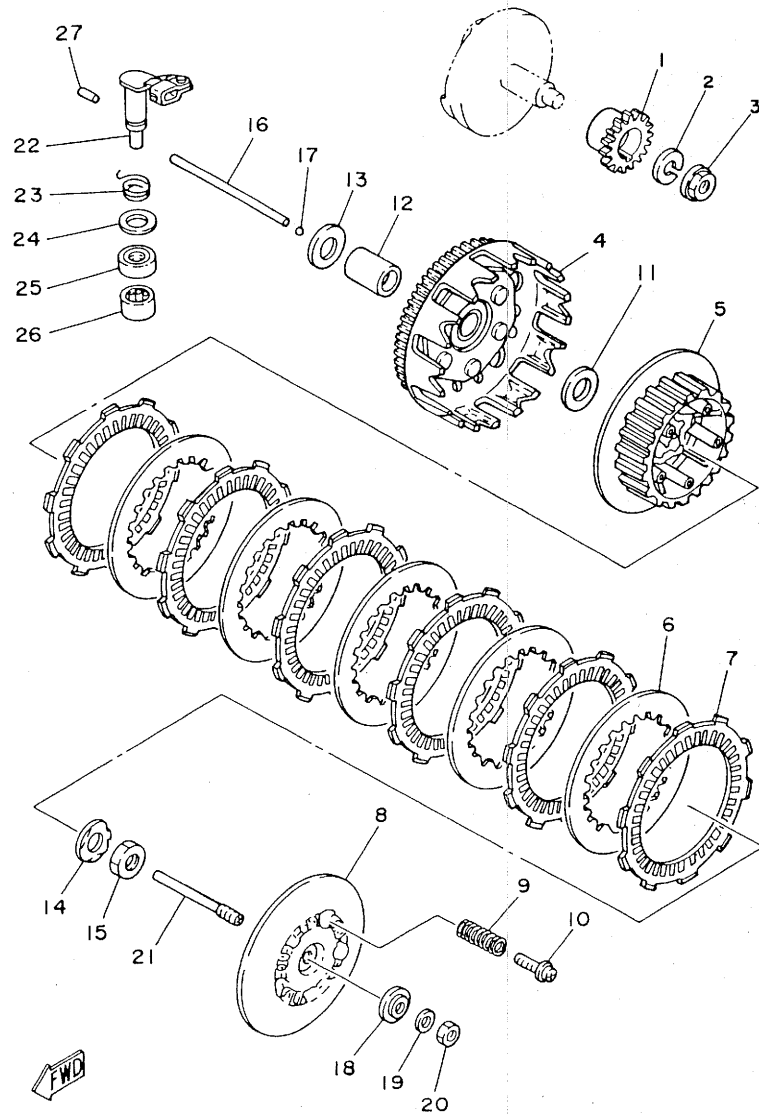
B9

FIG. 8 STARTER

REF. NO.	PART NO.	DESCRIPTION	Q'TY	REMARKS
1	43G-15651-00	GEAR, kick idle (25T)	1	
2	137-17417-00-05	SHIM 1 (0.5T)	1	
3	93440-15012	CIRCLIP	2	
4	39W-15660-00	KICK AXLE ASSY	1	
5	3R3-15641-00	GEAR, kick (25T)	1	
6	90468-26048	CLIP	1	
7	248-15654-00	HOLDER, kick gear	2	
8	99009-30400	CIRCLIP	1	
9	3R3-15666-00	SPACER	1	
10	90508-26427	SPRING, torsion	1	
11	93410-17037	CIRCLIP	1	
12	93102-17263	OIL SEAL	1	
13	43G-15620-00	KICK CRANK ASSY	1	
14	5X3-15621-00	.BOSS, kick crank	1	
15	90501-12081	.SPRING, compression	1	
16	93507-32009	.BALL	1	
17	91702-12040	.PIN, clevis	1	
18	3R3-15618-01	.COVER, kick lever	1	
19	91401-40020	.PIN, cotter	1	
20	95702-10500	NUT, flange	1	



43G100-4080



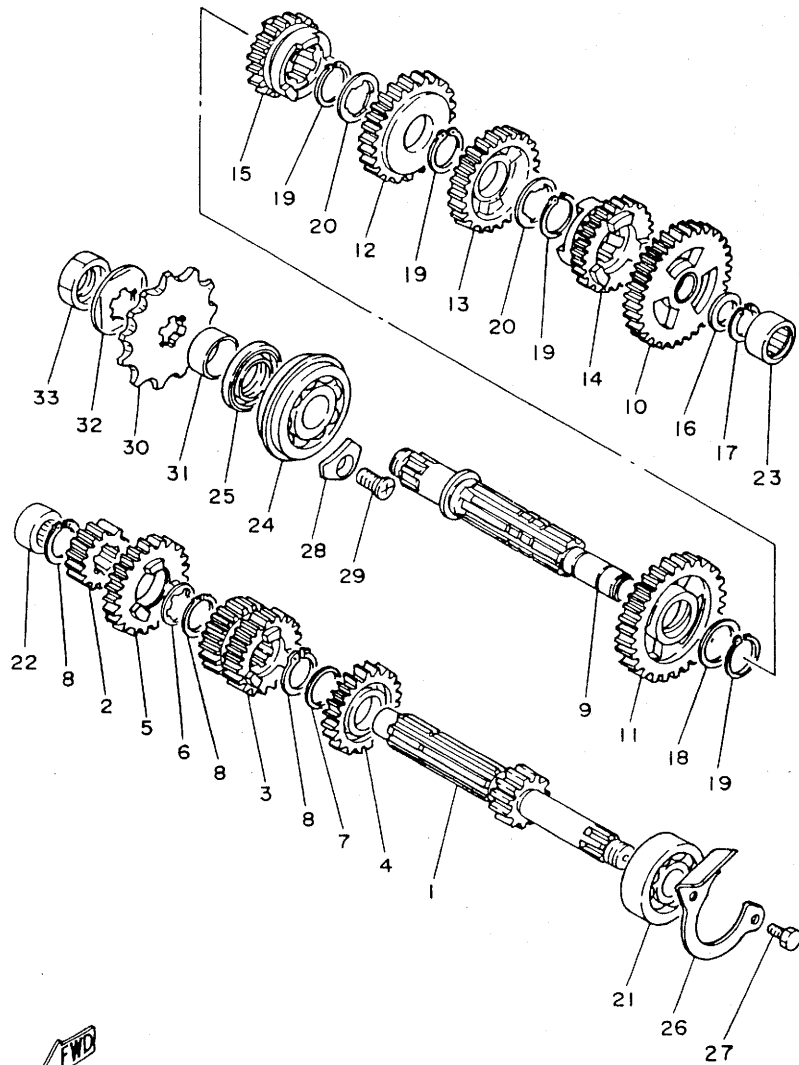
43G100-4090

FIG. 9 CLUTCH

REF. NO.	PART NO.	DESCRIPTION	Q'TY	REMARKS
1	43G-16111-00	GEAR, primary drive (20T)	1	
2	90204-12007	WASHER, spring	1	
3	90179-12302	NUT	1	
✓ 4	43G-16150-00	PRIMARY DRIVEN GEAR COMP.	1	
✓ 5	43G-16371-00	BOSS, clutch	1	
6	137-16325-70	PLATE, clutch 2	5	
7	537-16321-00	PLATE, friction	6	
8	1W1-16351-00	PLATE, pressure 1	1	
9	90501-20124	SPRING, compression	5	
10	90159-05011	SCREW, with washer	5	
11	90201-174E1	WASHER, plate	1	
12	90560-17232	SPACER	1	
13	90201-174E1	WASHER, plate	1	
14	90215-14204	WASHER, lock	1	
15	90170-14171	NUT	1	
16	353-16357-00	ROD, push 2	1	
17	93503-16010	BALL	1	
18	1W1-16358-00	PLATE, push	1	
19	92901-06200	WASHER, plain	1	
20	95301-06600	NUT	1	
21	1W1-16356-01	ROD, push 1	1	
22	3R3-16380-02	PUSH LEVER ASSY	1	
23	90508-14426	SPRING, torsion	1	
24	90201-14217	WASHER, plate	1	
25	93102-14308	OIL SEAL	1	
26	93315-21429	BEARING, cylindrical	1	
27	93604-16092	PIN, dowel	1	

B11

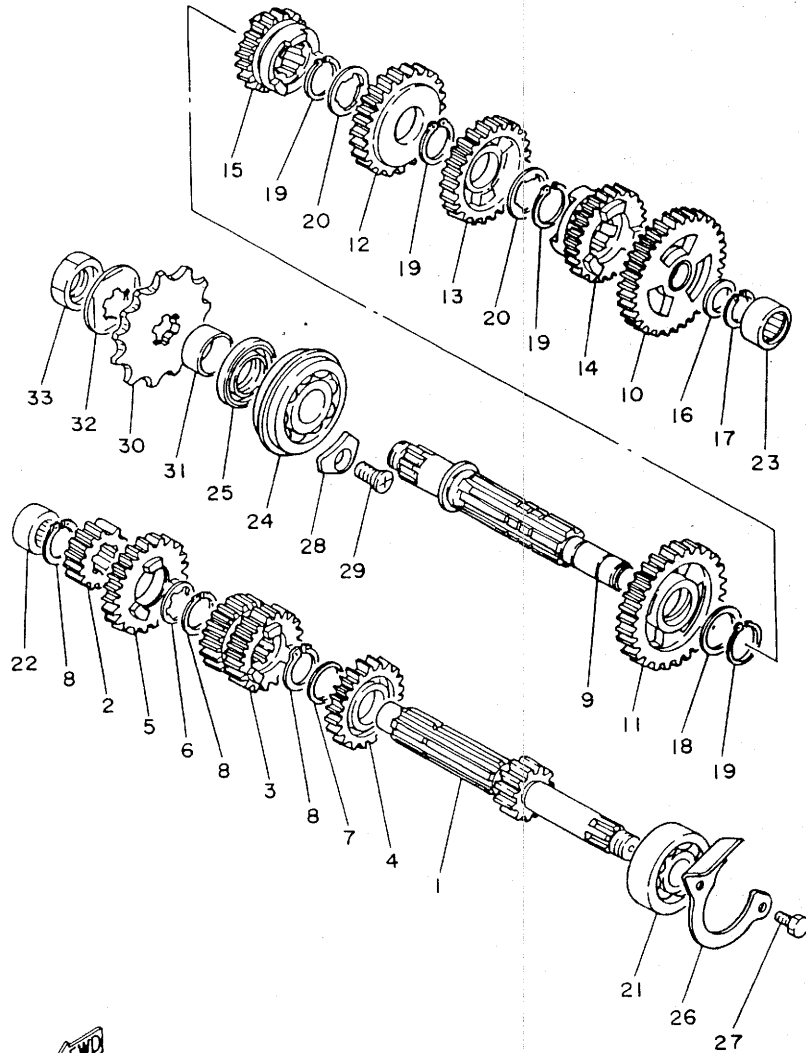
FIG. 10 TRANSMISSION



43G100-4100

REF. NO.	PART NO.	DESCRIPTION	Q'TY	REMARKS
1	43G-17411-00	AXLE, main (12T)	1	
2	43G-17121-00	GEAR, 2nd pinion (14T)	1	
3	43G-17131-00	GEAR, 3rd pinion (16T/20T)	1	
4	43G-17151-01	GEAR, 5th pinion (25T)	1	
5	43G-17161-01	GEAR, 6th pinion (24T)	1	
6	90209-16255	WASHER	1	
7	90201-20266	WASHER, plate (1.0T)	1	
8	93410-20038	CIRCLIP	3	
9	43G-17421-00	AXLE, drive	1	
10	43G-17211-00	GEAR, 1st wheel (33T)	1	
11	43G-17221-00	GEAR, 2nd wheel (26T)	1	
12	43G-17231-01	GEAR, 3rd wheel (24T)	1	
13	43G-17241-01	GEAR, 4th wheel (25T)	1	
14	43G-17251-00	GEAR, 5th wheel (27T)	1	
15	43G-17261-00	GEAR, 6th wheel (21T)	1	
16	90201-15701	WASHER, plate (1.0T)	1	
17	93440-15012	CIRCLIP	1	
18	90201-22555	WASHER, plate	1	
19	93410-22039	CIRCLIP	4	
20	90209-18135	WASHER	2	
21	93306-30303	BEARING (B6303Z)	1	
22	93311-41530	BEARING, cylindrical	1	
23	93311-31515	BEARING, cylindrical	1	
24	93306-30411	BEARING (B6304)	1	
25	93102-26042	OIL SEAL	1	
26	3R3-17471-00	PLATE, cover	1	
27	97321-06012	BOLT	2	
28	2K7-15383-00	PLATE, bearing cover	1	

FIG. 10 TRANSMISSION



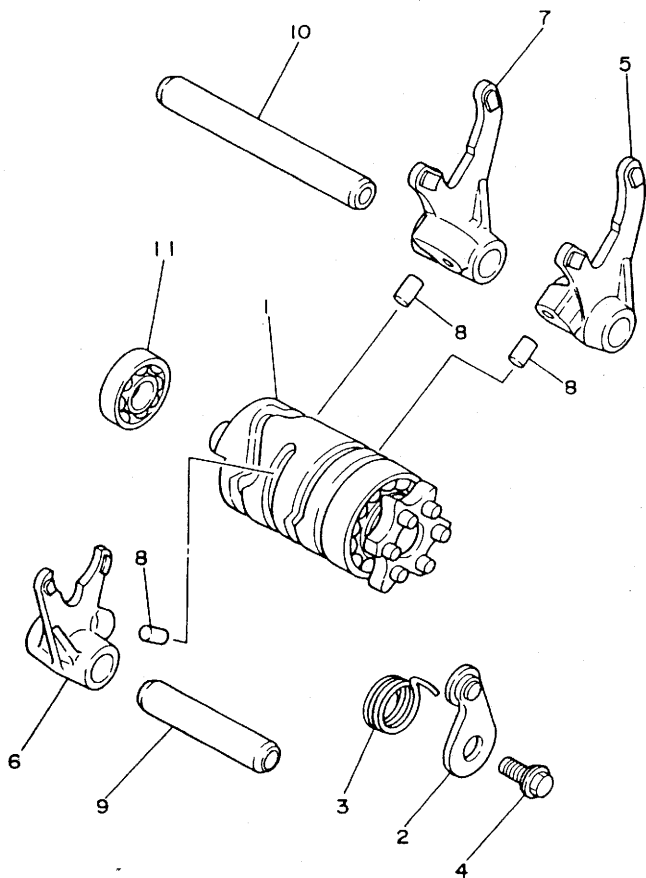
REF. NO.	PART NO.	DESCRIPTION	Q'TY	REMARKS
29	92701-06012	SCREW, flat head	1	
30	1G8-17461-20	SPROCKET, drive (12T)	1	STD
	1G8-17461-10	SPROCKET, drive (11T)	1	AP
	1G8-17461-30	SPROCKET, drive (13T)	1	AP
31	90387-202A0	COLLAR	1	
32	90215-16127	WASHER, lock	1	
33	90179-16226	NUT	1	



43G100-4100

B13

FIG. 11 SHIFT CAM. FORK



REF. NO.	PART NO.	DESCRIPTION	Q'TY	REMARKS
1	24X-18540-00	SHIFT CAM ASSY	1	
2	3R3-18140-00	STOPPER LEVER ASSY	1	
3	90508-26435	SPRING, torsion	1	
4	1W1-18177-00	BOLT, stopper	1	
5	43G-18511-00	FORK, shift 1	1	
6	43G-18512-00	FORK, shift 2	1	
7	43G-18513-00	FORK, shift 3	1	
8	90250-06013	PIN, straight	3	
9	5X5-18531-01	BAR, shift fork guide 1	1	
10	5X5-18535-01	BAR, shift fork guide 2	1	
11	93306-00106	BEARING	1	

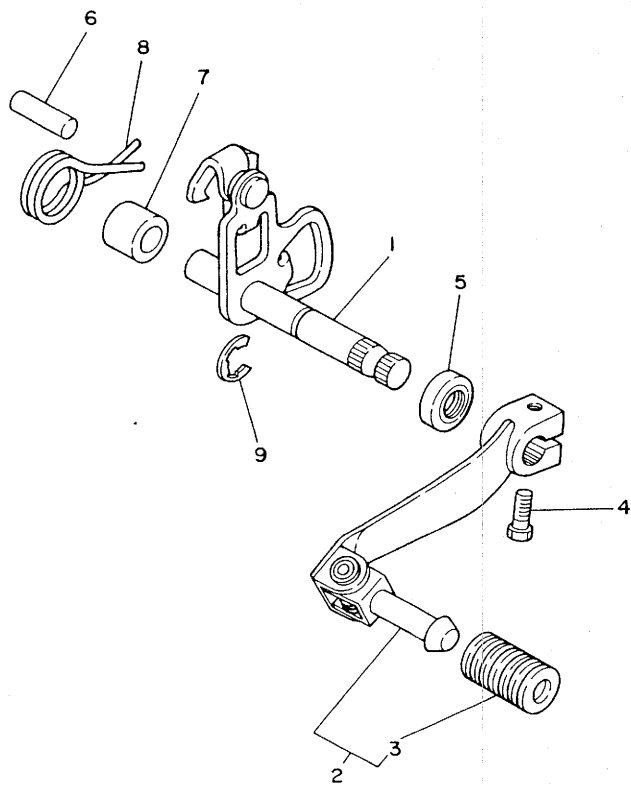


24X100-3150

B14

FIG. 12 SHIFT SHAFT

REF. NO.	PART NO.	DESCRIPTION	Q'TY	REMARKS
1	24X-18101-00	SHIFT SHAFT ASSY	1	
2	5X4-18110-01	SHIFT PEDAL ASSY	1	
3	1W6-18113-00	.COVER, shift pedal	1	
4	97311-06020	BOLT	1	
5	93101-12060	OIL SEAL	1	
6	93608-25150	PIN, dowel	1	
7	90560-11189	SPACER	1	
8	90508-29361	SPRING, torsion	1	
9	CIRCLIP	1		



5X3100-3130

B15

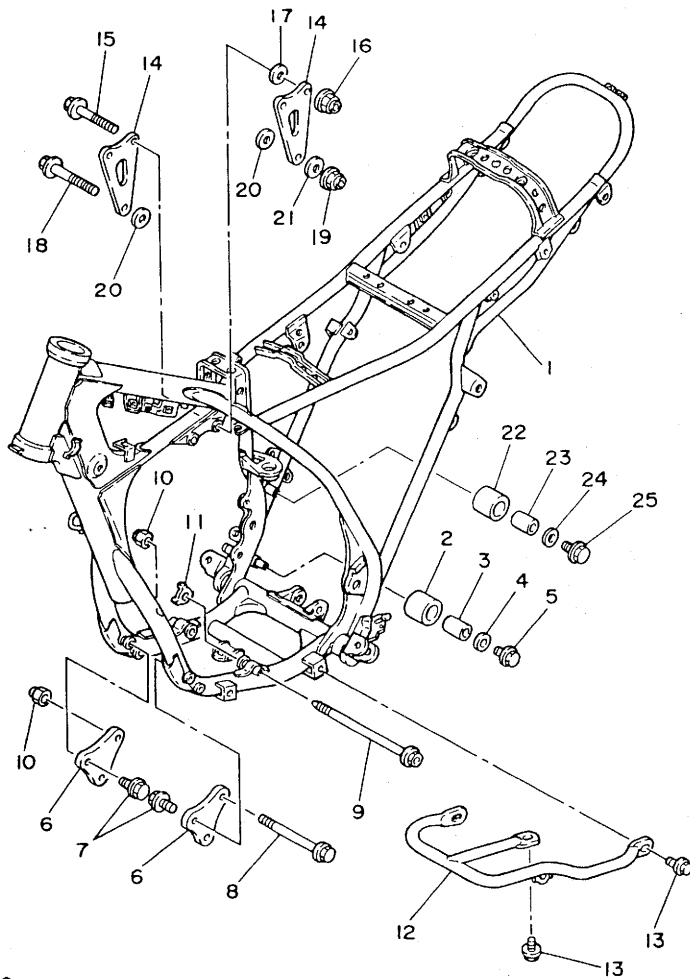


FIG. 13 FRAME

REF. NO.	PART NO.	DESCRIPTION	Q'TY	REMARKS
1	49T-21110-00-33	FRAME COMP.	1	yamaha black
2	30X-22178-00	TENSIONER	1	
3	4V4-22184-00	BUSH	1	
4	90201-08753	WASHER, plate	1	
5	95802-08012	BOLT, flange	1	
6	24X-21419-01	BRACKET, engine 2	2	
7	95821-08016	BOLT, flange	4	
8	95811-08095	BOLT, flange	1	
9	90105-08326	BOLT, washer based	1	
10	90185-08113	NUT, self-locking	2	
11	90214-09019	WASHER, claw	1	
12	43G-2147A-00	GUARD, engine 1	1	
13	95801-08012	BOLT, flange	4	
14	43G-21425-00	BRACKET, rear upper 1	2	
15	95811-08045	BOLT, flange	2	
16	90185-08113	NUT, self-locking	2	
17	90202-08022	WASHER, plate	2	
18	95811-10050	BOLT, flange	1	
19	90179-10280	NUT	1	
20	90201-100A1	WASHER, plate	2	
21	92901-10200	WASHER, plain	1	
22	30X-22178-00	TENSIONER	1	
23	4V4-22184-00	BUSH	1	
24	90201-08753	WASHER, plate	1	
25	95802-08012	BOLT, flange	1	

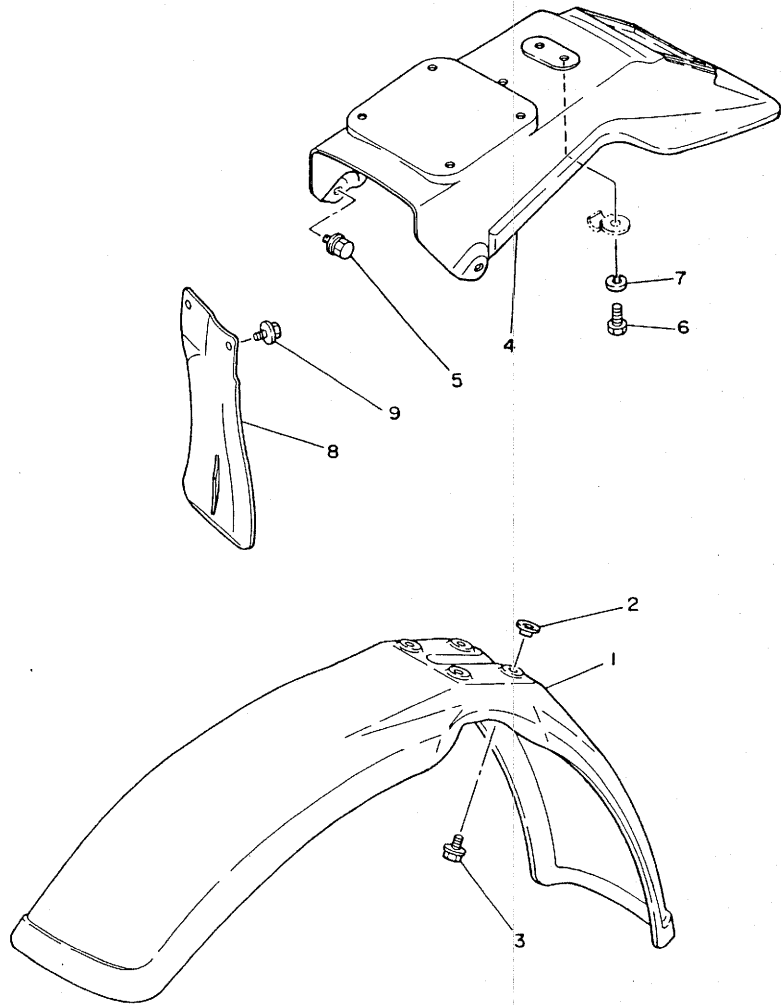


49T700-4130

C2

FIG. 14 FENDER

REF. NO.	PART NO.	DESCRIPTION	Q'TY	REMARKS
1	3R9-21511-10	FENDER, front	1	sky blue
2	90387-06681	COLLAR	4	
3	90119-06063	BOLT, with washer	4	
4	49T-21611-00	FENDER, rear	1	
5	90119-06056	BOLT, with washer	3	
6	97301-06016	BOLT	1	
7	92990-06100	WASHER, spring	1	
8	43G-21642-00	GUARD, flap	1	
9	90119-06042	BOLT, with washer	2	

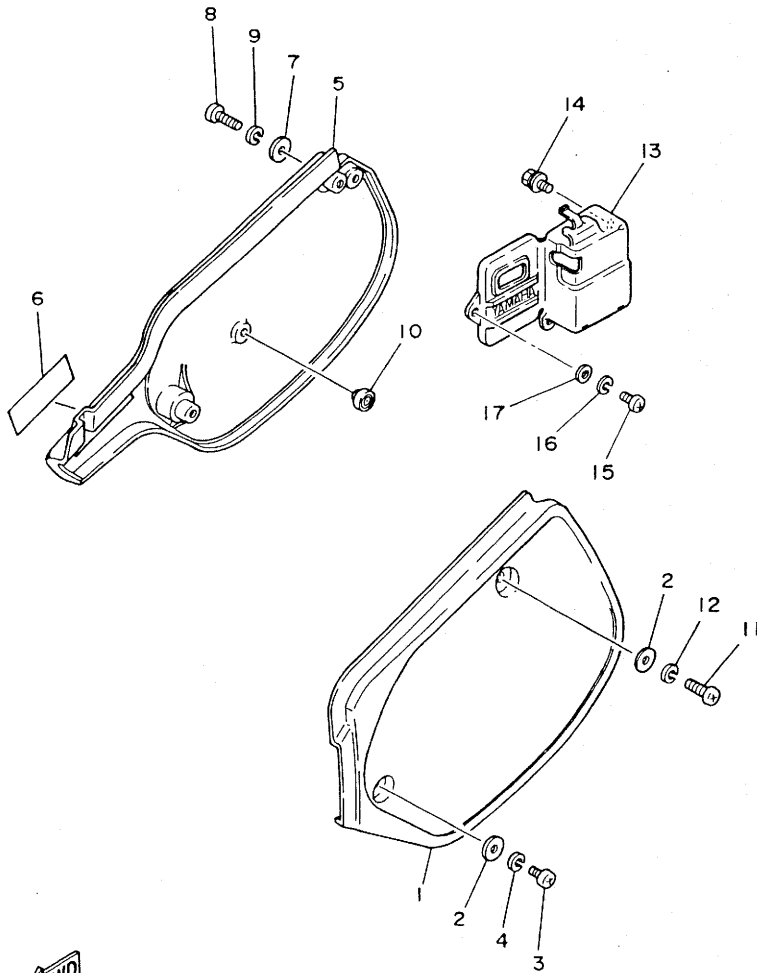


49T700-4140

C3

FIG. 15 SIDE COVER

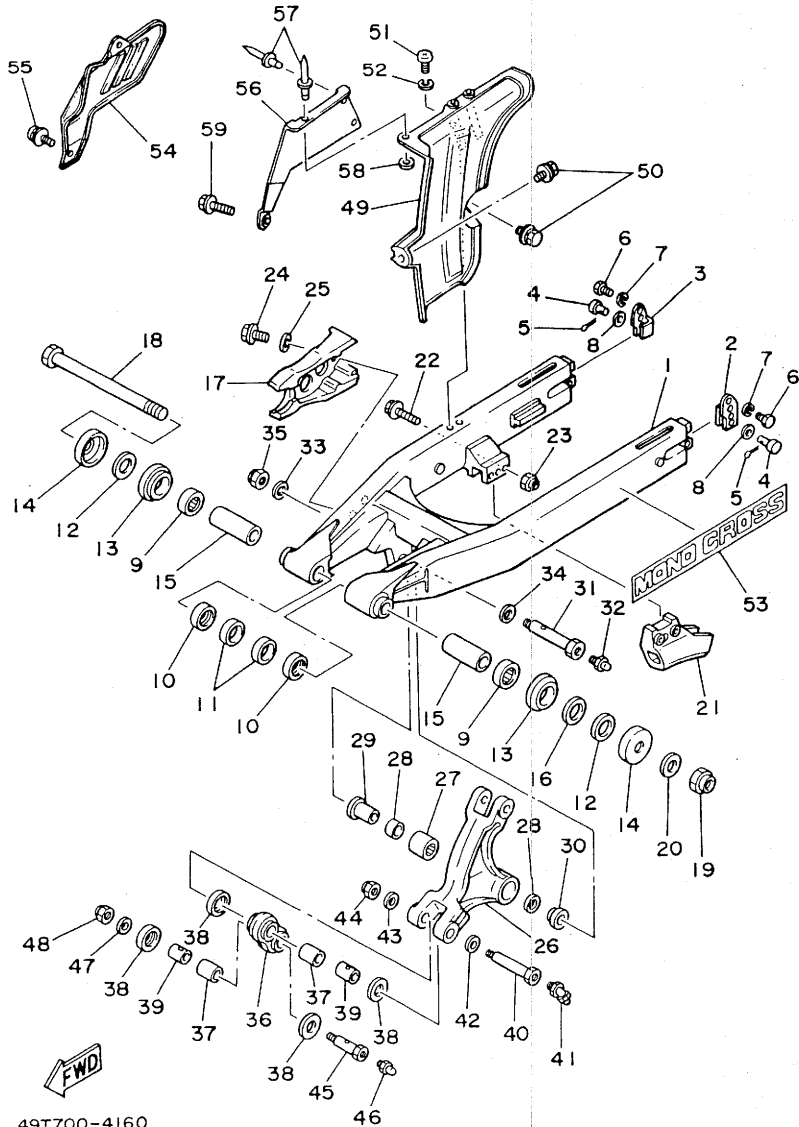
REF. NO.	PART NO.	DESCRIPTION	Q'TY	REMARKS
1	43G-21711-00-26	COVER, side 1	1	competition yellow
2	90201-06571	WASHER, plate	2	
3	92501-06020	SCREW, pan head	1	
4	92990-06100	WASHER, spring	1	
5	43G-21721-00-26	COVER, side 2	1	competition yellow
6	43G-21781-00	EMBLEM 1	1	
7	90201-06571	WASHER, plate	2	
8	92501-06025	SCREW, pan head	2	
9	92990-06100	WASHER, spring	2	
10	22W-24181-00	DAMPER, locating 1	3	
11	92501-06025	SCREW, pan head	1	
12	92990-06100	WASHER, spring	1	
13	29W-21170-00	BOX COMP.	1	
14	90119-06095	BOLT, with washer	2	
15	92506-06016	SCREW, pan head	1	
16	92906-06100	WASHER, spring	1	
17	92906-06600	WASHER, plate	1	



FWD
49T700-4150

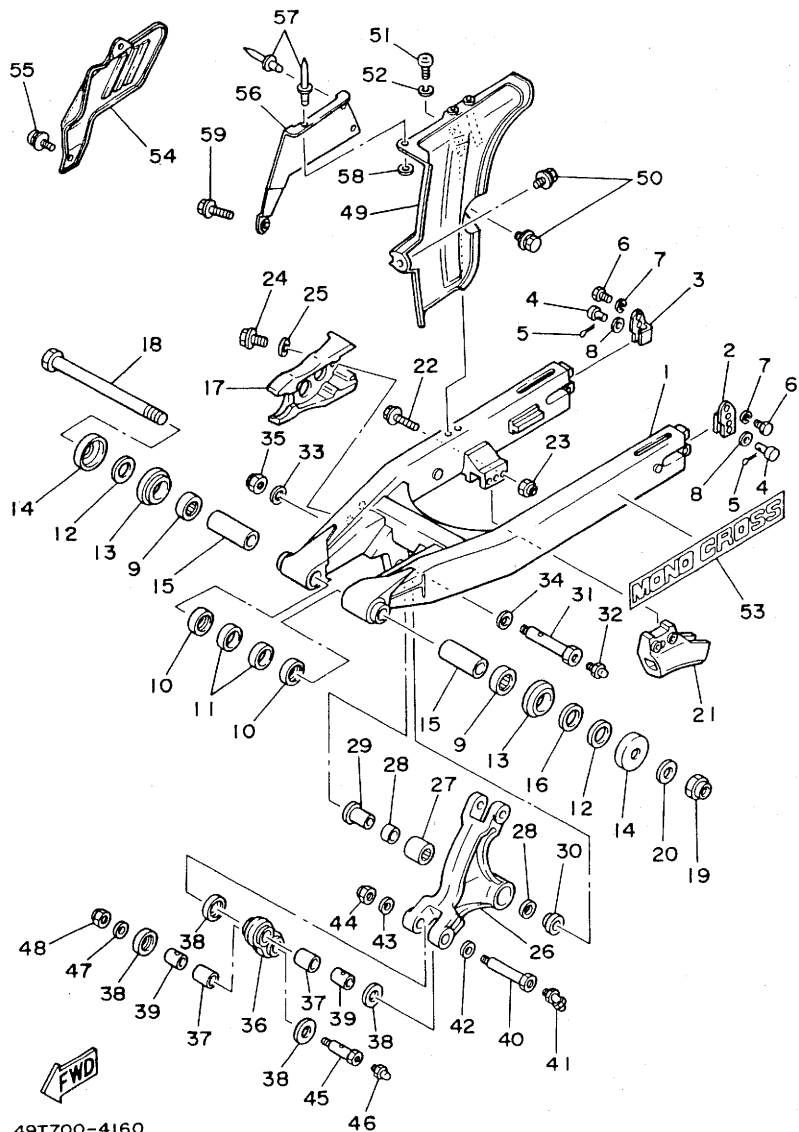
FIG. 16 REAR ARM

REF. NO.	PART NO.	DESCRIPTION	Q'TY	REMARKS
1	43G-22110-00	REAR ARM COMP.	1	
2	43G-2539F-00	PLATE 1	1	
3	43G-2539G-00	PLATE 2	1	
4	91701-05020	PIN, clevis	2	
5	91401-16015	PIN, cotter	2	
6	97301-06016	BOLT	2	
7	92990-06100	WASHER, spring	2	
8	92901-05600	WASHER, plate	2	
9	93317-32231	BEARING, cylindrical	2	
10	90380-22111	BUSH, solid	2	
11	93106-22019	OIL SEAL	2	
12	90201-22680	WASHER, plate	2	
13	93108-35004	OIL SEAL	2	
14	2K6-22128-01	COVER, thrust 1	2	
15	90380-16077	BUSH, solid	2	
16	156-22127-00	SHIM (0.3T)	1	
17	39W-22151-00	SEAL, guard	1	
18	5X4-22141-01	SHAFT, pivot	1	
19	90185-16127	NUT, self-locking	1	
20	90201-160F6	WASHER, plate	1	
21	39W-22199-00	SUPPORT, chain	1	
22	95802-08045	BOLT, flange	2	
23	90185-08106	NUT, self-locking	2	
24	95801-06020	BOLT, flange	1	
25	90201-06067	WASHER, plate	2	
26	43G-2217A-00	ARM, relay	1	
27	93317-32034	BEARING, cylindrical	1	
28	93109-20029	OIL SEAL	2	



49T700-4160

FIG. 16 REAR ARM

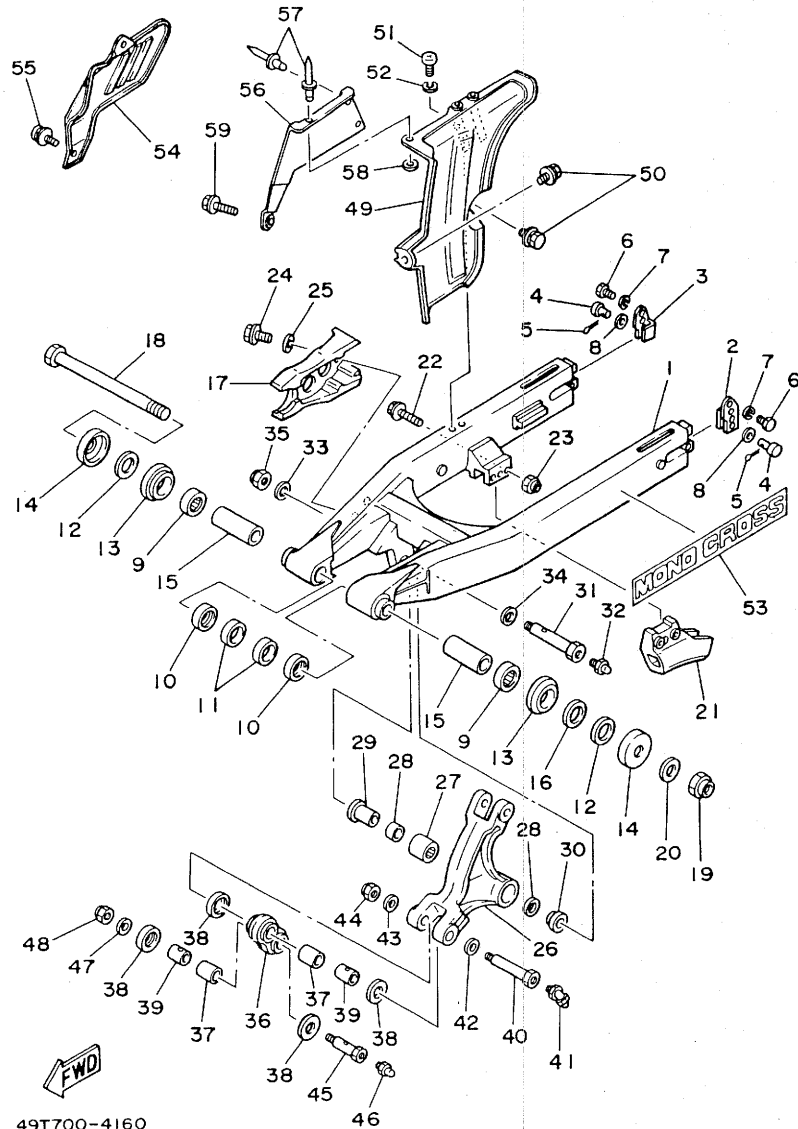


49T700-4160

REF. NO.	PART NO.	DESCRIPTION	Q'TY	REMARKS
29	90387-147G6	COLLAR	1	
30	90387-147G7	COLLAR	1	
31	90109-12701	BOLT	1	
32	93700-06004	NIPPLE, grease	1	
33	90201-120A5	WASHER, plate	1	
34	90201-14222	WASHER, plate	1	
35	90185-12119	NUT, self-locking	1	
36	23X-2217F-00	ROD, connecting 1	1	
37	93315-31732	BEARING, cylindrical	2	
38	23X-22129-00	COVER, thrust 2	4	
39	90387-121H1	COLLAR	2	
40	90109-10702	BOLT	1	
41	93700-06005	NIPPLE, grease	1	
42	90201-120E6	WASHER, plate	1	
43	90201-100E9	WASHER, plate	1	
44	90185-10120	NUT, self-locking	1	
45	90109-10703	BOLT	1	
46	93700-06005	NIPPLE, grease	1	
47	90201-10430	WASHER, plate	1	
48	95611-10100	NUT, u	1	
49	5X8-W2231-01	CHAIN CASE COMP.	1	
50	90159-06016	SCREW, with washer	2	
51	92501-06012	SCREW, pan head	2	
52	92990-06100	WASHER, spring	2	
53	1TY-2218A-00	EMBLEM, rear arm	2	
54	5X9-22318-00	GUARD, chain	1	
55	90159-06042	SCREW, with washer	2	
56	5X9-22312-00	CASE, chain 2	1	

C6

FIG. 16 REAR ARM

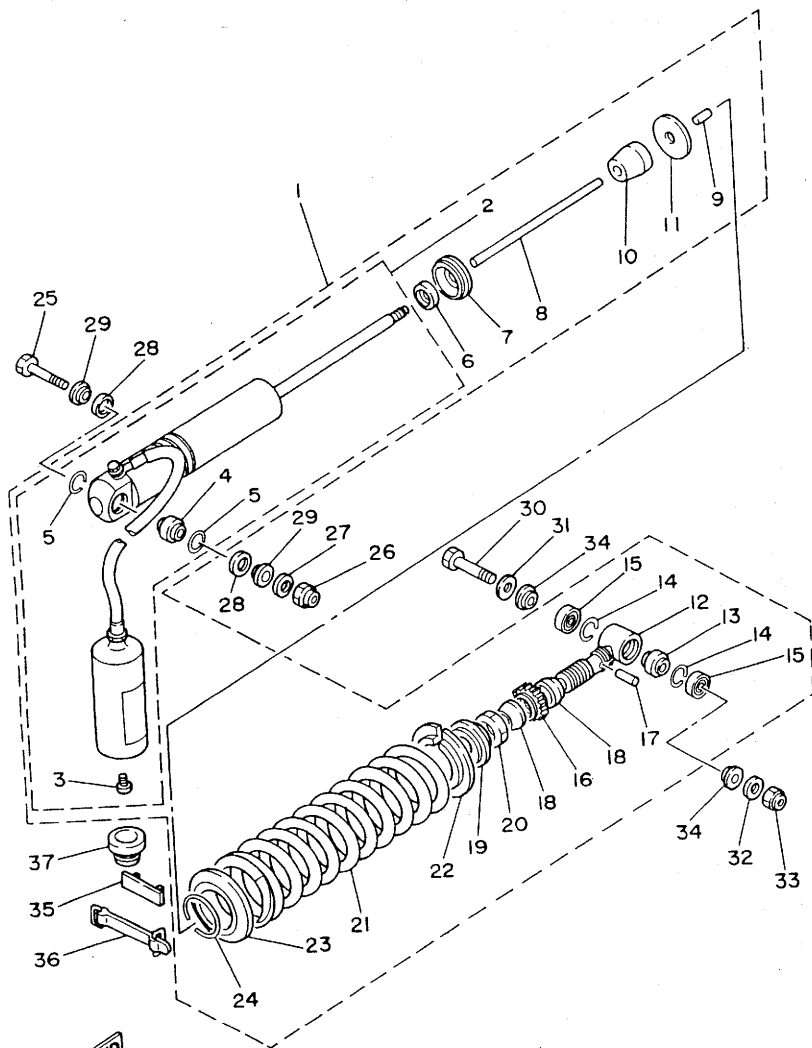


49T700-4160

REF. NO.	PART NO.	DESCRIPTION	Q'TY	REMARKS
57	90267-40075	RIVET, blind	3	
58	90201-04M06	WASHER, plate	1	
59	95801-06025	BOLT, flange	1	

C7

SEAL KIT INT. 49T-W222A-01

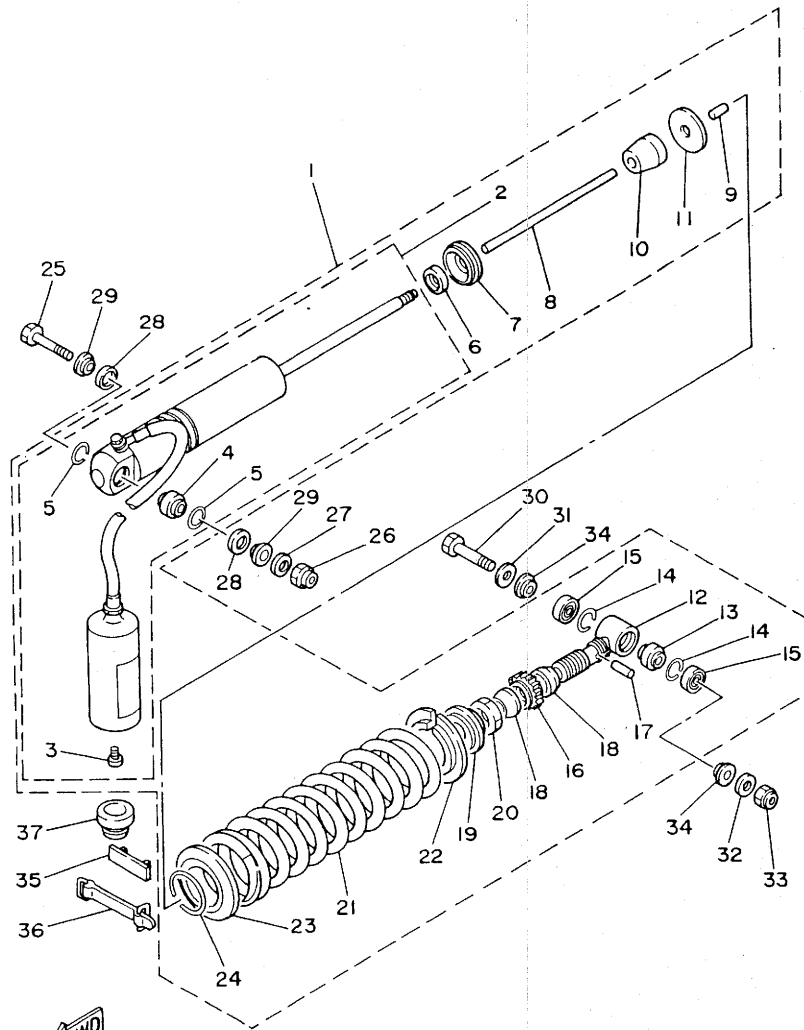


43G100-4170

FIG. 17 REAR SUSPENSION

REF. NO.	PART NO.	DESCRIPTION	Q'TY	REMARKS
1	1TY-22210-00-26	SHOCK ABSORBER ASSY, rear	1	competition yellow
2	1TY-22401-00	.DAMPER SUB ASSY	1	
3	98501-04005	..SCREW, pan head	1	
4	93399-99916	..BEARING	1	
5	93440-30113	..CIRCLIP	2	
6	29L-22475-00	.SEAL, dust	1	
7	39K-22472-00	.CAP, case	1	
8	1TY-22489-00	.ROD, push	1	
9	93604-21193	.PIN, dowel	1	
10	39W-22493-00	.BUMP, stop	1	
11	5X2-22228-00	.SUPPORT, bump stop	1	
12	39W-22409-00	.UPPER BRACKET SUB ASSY	1	
13	93399-99916	.BEARING	1	
14	93440-30113	.CIRCLIP	2	
15	93104-18077	.OIL SEAL	2	
16	5X3-22497-00	.NUT, adjusting	1	
17	93604-26132	.PIN, dowel	1	
18	3R4-22221-01	.COVER	2	
19	3R4-22213-00	.SEAT, spring upper	1	
20	90170-20213	.NUT	1	
21	43G-22212-00-26	.SPRING (K=5.5)	1	competition yellow
22	22W-22214-00	.GUIDE, spring l	2	
23	38V-22223-00	.SEAT, spring lower	1	
24	93440-45135	.CIRCLIP	1	
25	90109-10704	BOLT	1	
26	90185-10120	NUT, self-locking	1	
27	90201-10430	WASHER, plate	1	
28	23X-22211-00	COVER	2	

FIG. 17 REAR SUSPENSION



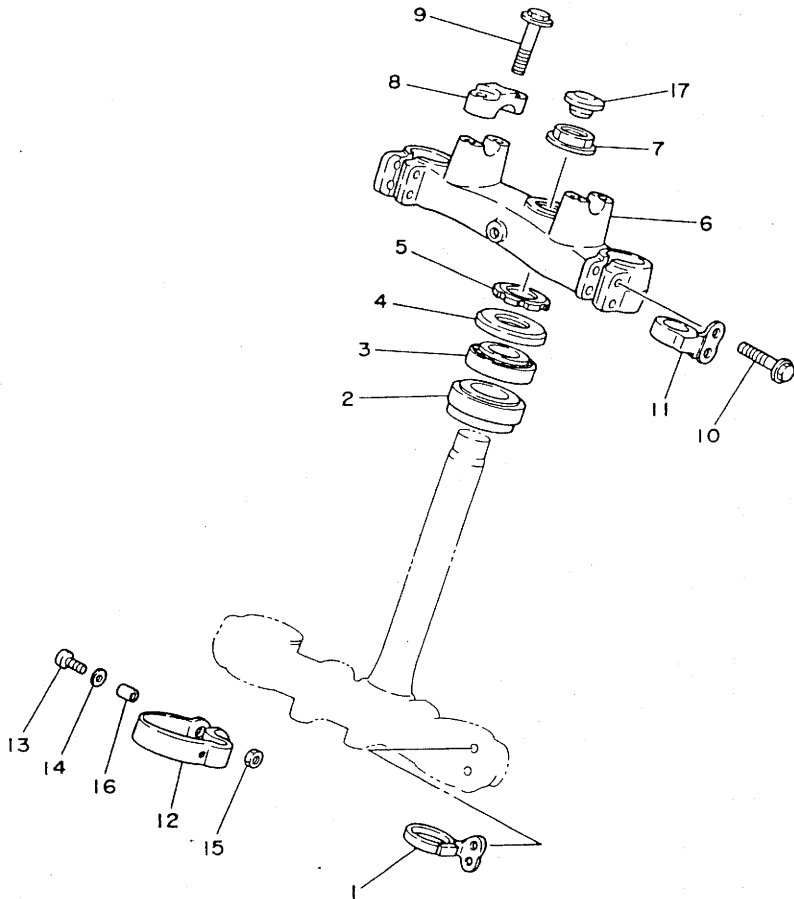
REF. NO.	PART NO.	DESCRIPTION	Q'TY	REMARKS
29	90387-127G8	COLLAR	2	
30	90109-10700	BOLT	1	
31	90201-120E6	WASHER, plate	1	
32	90201-100E9	WASHER, plate	1	
33	90185-10120	NUT, self-locking	1	
34	90387-126H8	COLLAR	2	
35	24X-22261-00	DAMPER, sub tank	1	
36	24X-22262-00	HOLDER, sub tank	1	
37	90480-22263	GROMMET	1	

43G100-4170

C9

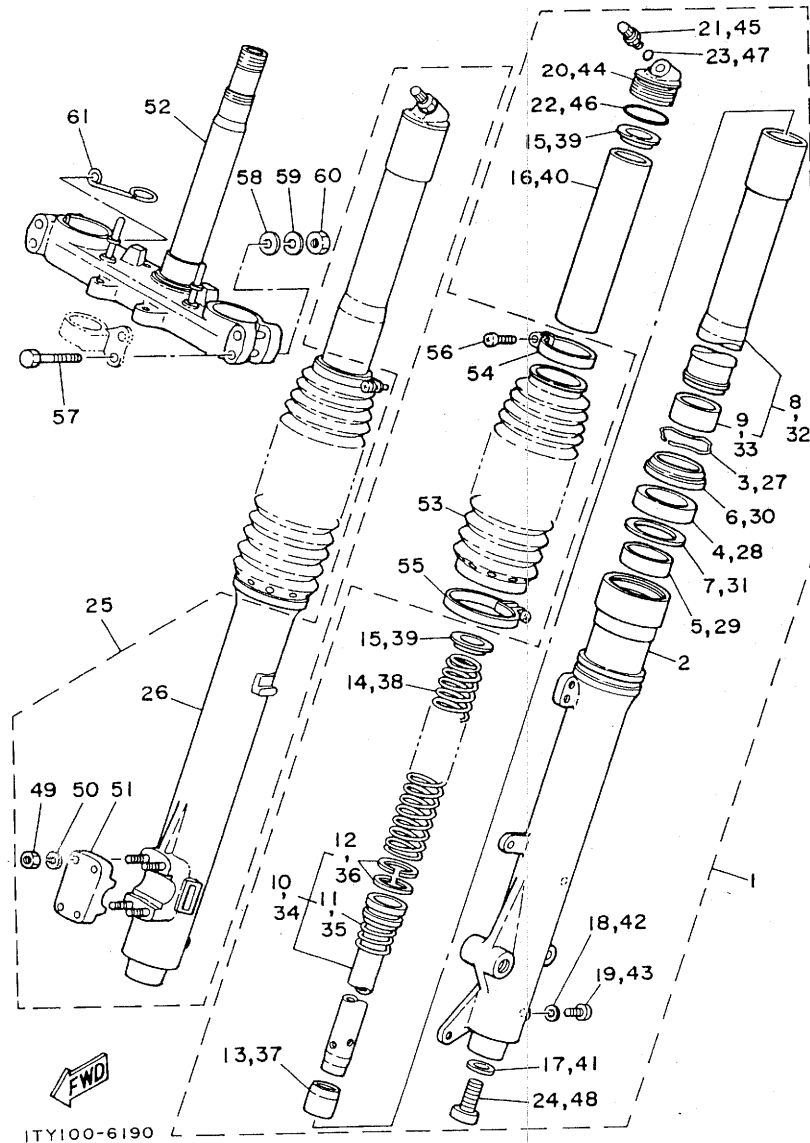
FIG. 18 STEERING

REF. NO.	PART NO.	DESCRIPTION	Q'TY	REMARKS
1	3R4-23389-00	GUIDE, cable	1	
2	93332-00008	BEARING	1	
3	93332-00023	BEARING	1	
4	1W1-23416-00	COVER, ball race 2	1	
5	90179-25033	NUT	1	
6	39W-23435-01-98	CROWN, handle	1	low gloss black
7	90179-22330	NUT	1	
8	1E6-23441-00	HOLDER, handle upper	2	
9	95821-08035	BOLT, flange	4	
10	95821-08040	BOLT, flange	4	
11	3R4-23317-00	HOLDER, cable	1	
12	26A-23318-00	HOLDER, cable 1	1	
13	98501-05030	SCREW, pan head	1	
14	92901-05600	WASHER, plate	1	
15	95301-05600	NUT	1	
16	90387-06162	COLLAR	1	
17	34K-2319U-00	CAP	1	



43G100-4180

FIG. 19 FRONT FORK



REF. NO.	PART NO.	DESCRIPTION	Q'TY	REMARKS
1	1TY-23102-00	FRONT FORK ASSY (L.H)	1	
2	1TY-23126-00	.TUBE, outer 1	1	
3	4V4-23153-L0	.RING, snap	1	
4	23X-23145-L0	.OIL SEAL	1	
5	4V4-23125-L0	.METAL, slide 1	1	
6	23X-23144-L0	.SEAL, dust	1	
7	4V4-23146-L0	.WASHER, oil seal	1	
8	43M-23110-L0	.INNER TUBE COMP.1	1	
9	4V4-23171-L0	..PISTON, front fork	1	
10	1TY-23170-00	.CYLINDER COMP., front fork	1	
11	5X6-23152-L0	..SPRING, sub	1	
12	4V4-23157-L0	..RING, piston	2	
13	4V4-23173-L0	.SPINDLE, taper	1	
14	43G-23141-L0	.SPRING, front fork (K=0.3)	1	
15	4V4-23142-L0	.SEAT, spring upper	2	
16	43G-23118-L0	.SPACER (L=160MM)	1	
17	4V4-23158-L0	.GASKET	1	
18	122-23129-00	.GASKET, drain plug	1	
19	122-23119-01	.PLUG, drain	1	
20	43M-23111-L0	.BOLT, cap	1	
21	23X-23190-L0	.AIR VALVE COMP.	1	
22	4V4-23188-L0	.O-RING	1	
23	3J2-23147-00	.O-RING	1	
24	4V4-23181-L0	.BOLT, hexagon socket head	1	
25	1TY-23103-00	FRONT FORK ASSY (R.H)	1	
26	1TY-23136-00	.TUBE, outer 2	1	
27	4V4-23153-L0	.RING, snap	1	
28	23X-23145-L0	.OIL SEAL	1	

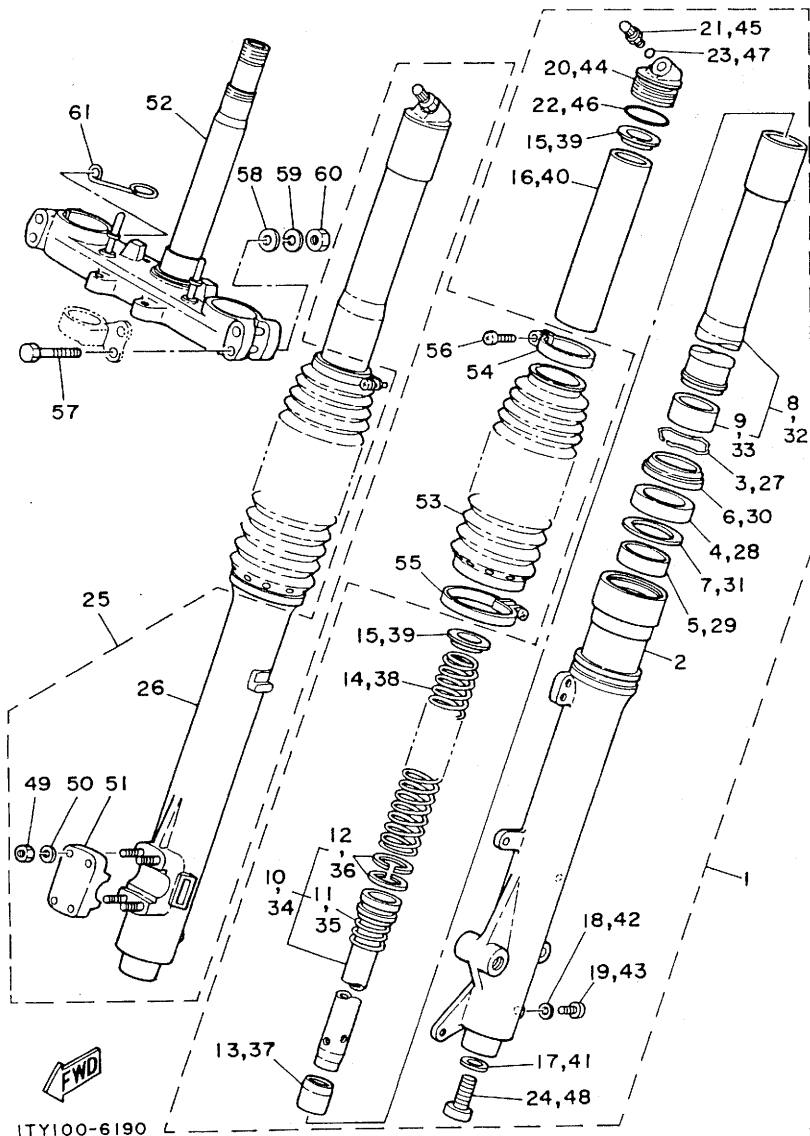
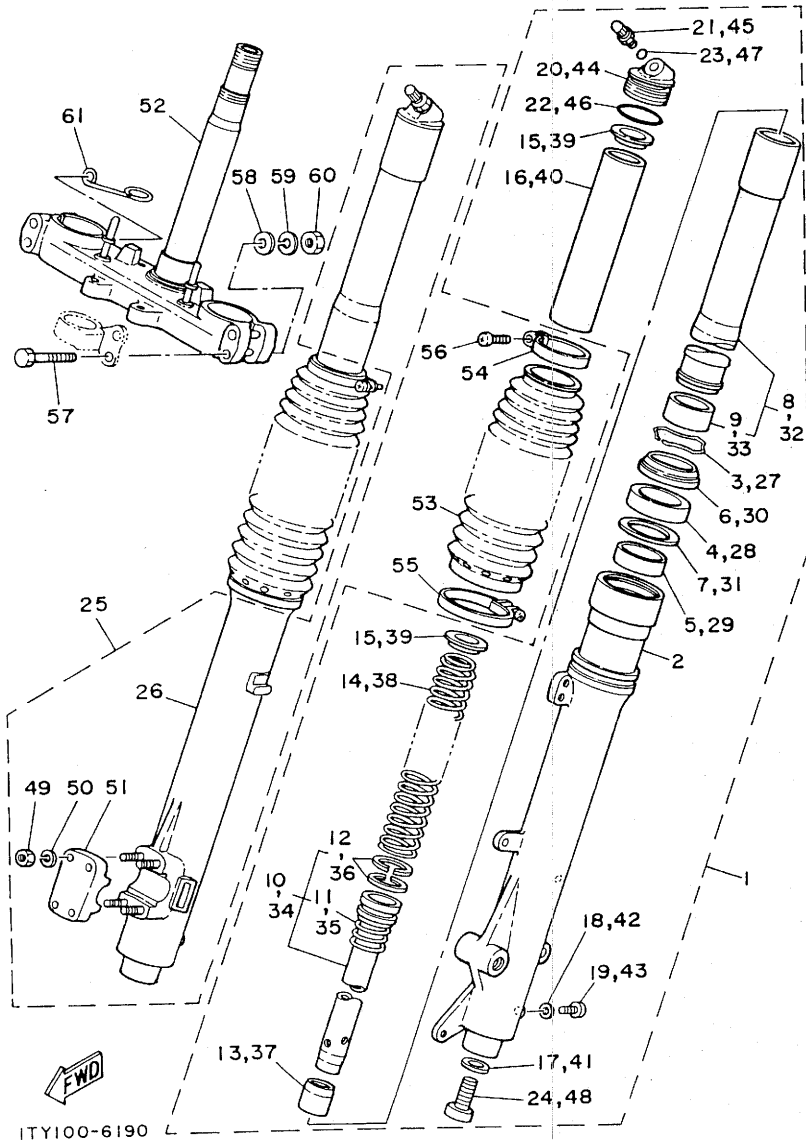


FIG. 19 FRONT FORK

REF. NO.	PART NO.	DESCRIPTION	Q'TY	REMARKS
29	4V4-23125-L0	.METAL, slide 1	1	
30	23X-23144-L0	.SEAL, dust	1	
31	4V4-23146-L0	.WASHER, oil seal	1	
32	43M-23110-L0	.INNER TUBE COMP.1	1	
33	4V4-23171-L0	..PISTON, front fork	1	
34	1TY-23170-00	.CYLINDER COMP., front fork	1	
35	5X6-23152-L0	..SPRING, sub	1	
36	4V4-23157-L0	..RING, piston	2	
37	4V4-23173-L0	.SPINDLE, taper	1	
38	43G-23141-L0	.SPRING, front fork (K=0.3)	1	
39	4V4-23142-L0	.SEAT, spring upper	2	
40	43G-23118-L0	.SPACER (L=160MM)	1	
41	4V4-23158-L0	.GASKET	1	
42	122-23129-00	.GASKET, drain plug	1	
43	122-23119-01	.PLUG, drain	1	
44	43M-23111-L0	.BOLT, cap	1	
45	23X-23190-L0	.AIR VALVE COMP.	1	
46	4V4-23188-L0	.O-RING	1	
47	3J2-23147-00	.O-RING	1	
48	4V4-23181-L0	.BOLT, hexagon socket head	1	
49	95311-06600	.NUT	1	
50	92990-06100	.WASHER, spring	4	
51	43M-23167-L0	.HOLDER, axle	1	
52	43G-23340-L0	UNDER BRACKET COMP.	1	
53	39X-23191-00	BOOT	2	yellow
54	43M-23192-L0	BAND	2	
55	43M-23489-L0	BAND	2	
56	98506-04018	SCREW, pan head	2	

FIG. 19 FRONT FORK



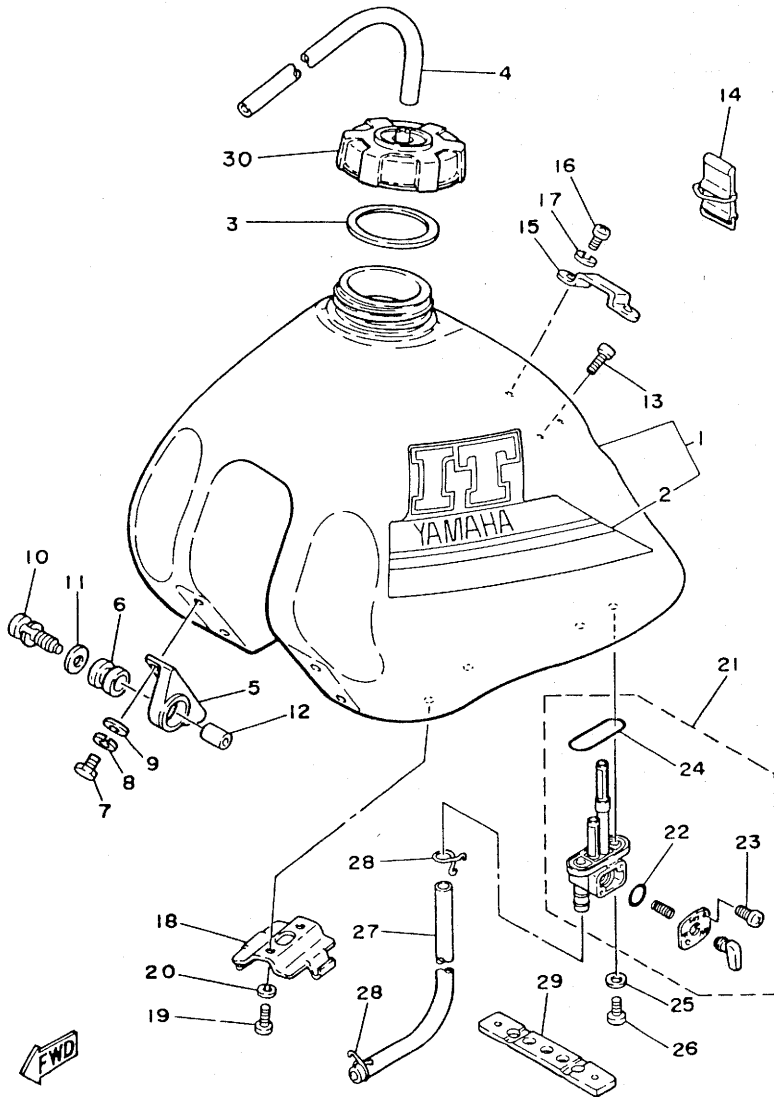
REF. NO.	PART NO.	DESCRIPTION	Q'TY	REMARKS
57	90109-08397	BOLT	4	
58	90201-08544	WASHER, plate	3	
59	92990-08100	WASHER, spring	4	
60	95311-08600	NUT	4	
61	4V5-23389-00	GUIDE, cable	1	

ITY100-6190

C13

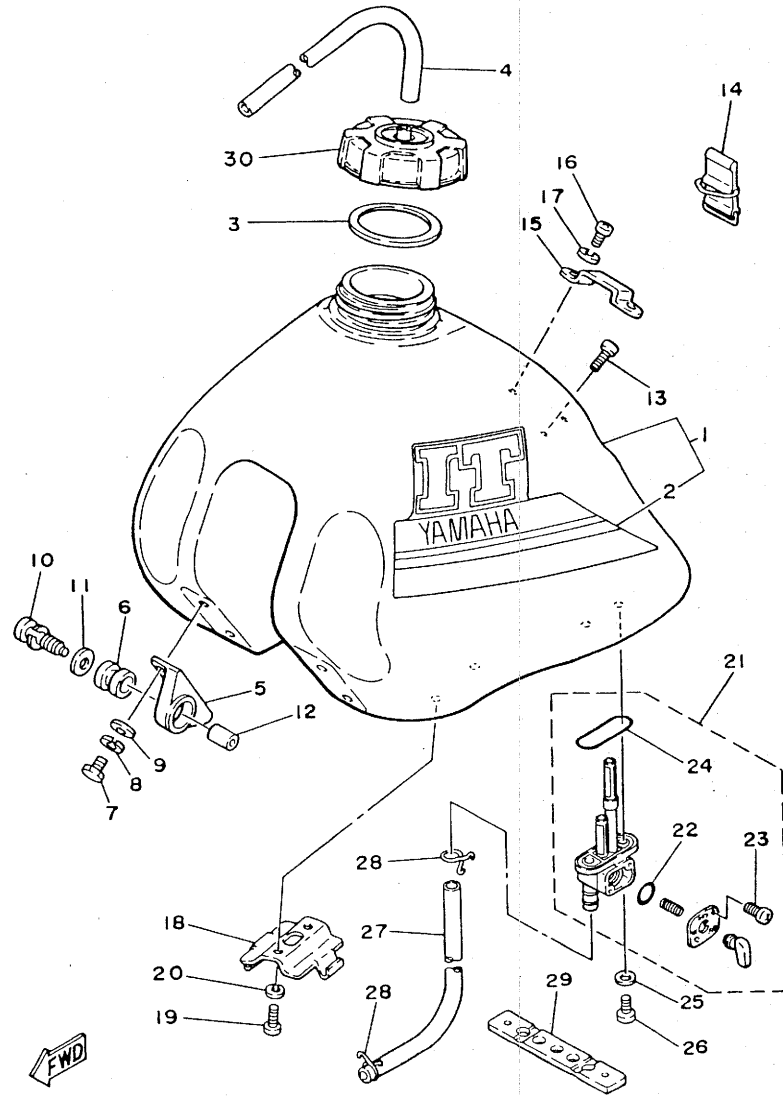
FIG. 20 FUEL TANK

REF. NO.	PART NO.	DESCRIPTION	Q'TY	REMARKS
1	43G-24110-00-04	FUEL TANK COMP.	1	
2	1TY-24250-00	.GRAPHIC SET	1	
3	3R9-24612-00	GASKET, cap	1	
4	90445-09252	HOSE	1	
5	24X-24144-00	HOLDER, damper	2	
6	90480-18354	GROMMET	2	
7	97301-06016	BOLT	4	
8	92990-06100	WASHER, spring	4	
9	92901-06600	WASHER, plate	4	
10	90119-06073	BOLT, with washer	2	
11	90201-06070	WASHER, plate	2	
12	90387-06553	COLLAR	2	
13	98903-06018	SCREW, bind	1	
14	59V-24173-00	BAND, tank fitting 1	1	
15	5X6-2412F-00	BRACKET, seat	1	
16	92501-06012	SCREW, pan head	2	
17	92990-06100	WASHER, spring	2	
18	5X6-2415F-01	STAY, chamber	1	
19	92501-06012	SCREW, pan head	2	
20	92990-06100	WASHER, spring	2	
21	43G-24500-00	FUEL COCK ASSY 1	1	
22	4X8-24534-00	.SEAL, cock	1	
23	97801-03008	.SCREW, pan head	2	
24	4X8-24512-00	.GASKET	1	
25	90202-06010	WASHER, plate	2	
26	90149-06011	SCREW	2	
27	90445-11295	HOSE	1	
28	90467-10008	CLIP	2	



ITY100-6200

FIG. 20 FUEL TANK



REF. NO.	PART NO.	DESCRIPTION	Q'TY	REMARKS
29	43G-24181-00	DAMPER, locating 1	1	
30	3R9-24611-01	BODY, cap	1	

ITV100-6200



C15

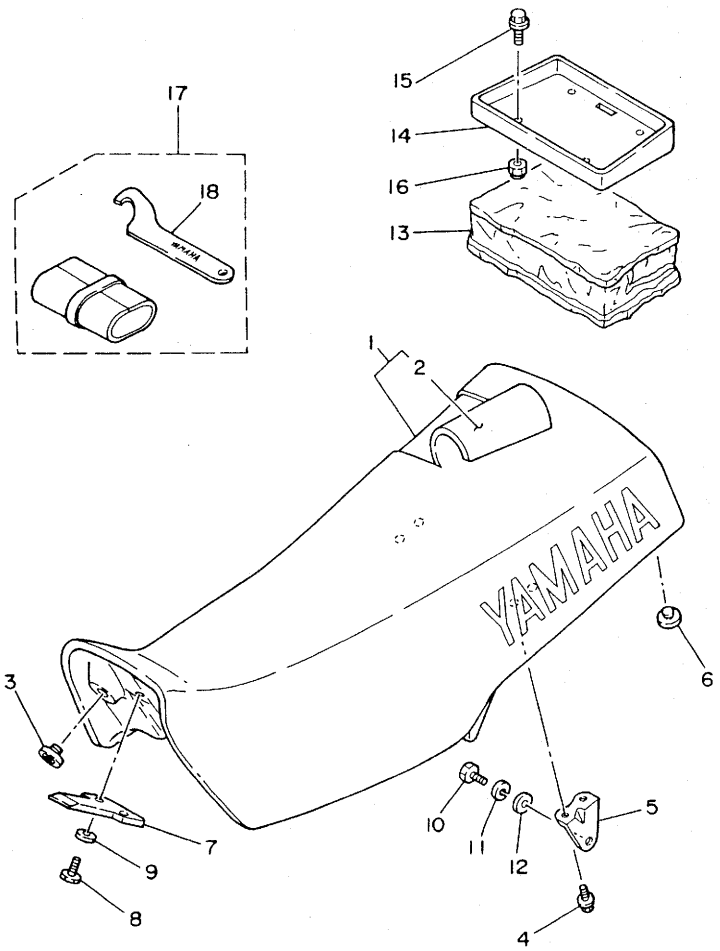


FIG. 21 SEAT

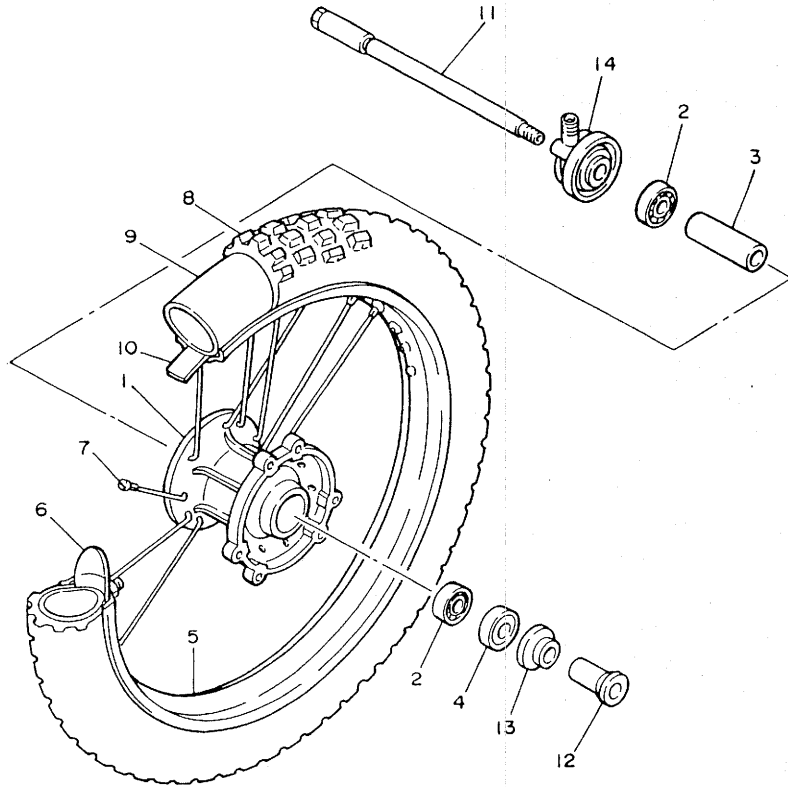
REF. NO.	PART NO.	DESCRIPTION	Q'TY	REMARKS
1	43G-W2473-00	SEMI-DOUBLE SEAT ASSY	1	
2	43G-24731-00	.COVER, seat	1	
3	509-24724-00	DAMPER, seat	2	
4	95801-06012	BOLT, flange	4	
5	39W-24738-00	BRACKET, seat	2	
6	509-24724-00	DAMPER, seat	1	
7	5X6-24748-10	BRACKET, seat	1	
8	97301-06012	BOLT	2	
9	92990-06100	WASHER, spring	2	
10	97301-08016	BOLT	2	
11	92990-08100	WASHER, spring	2	
12	90201-087F0	WASHER, plate	2	
13	4V5-24850-00	CARRIER BOX ASSY	1	
14	4V5-24833-00	BRACKET, carrier 2	1	
15	95801-06016	BOLT, flange	4	
16	90185-06098	NUT, self-locking	4	
17	26A-28100-00	TOOL KIT	1	
18	23X-28135-00	.SPANNER, special	1	



43G100-4211

D2

FIG. 22 FRONT WHEEL



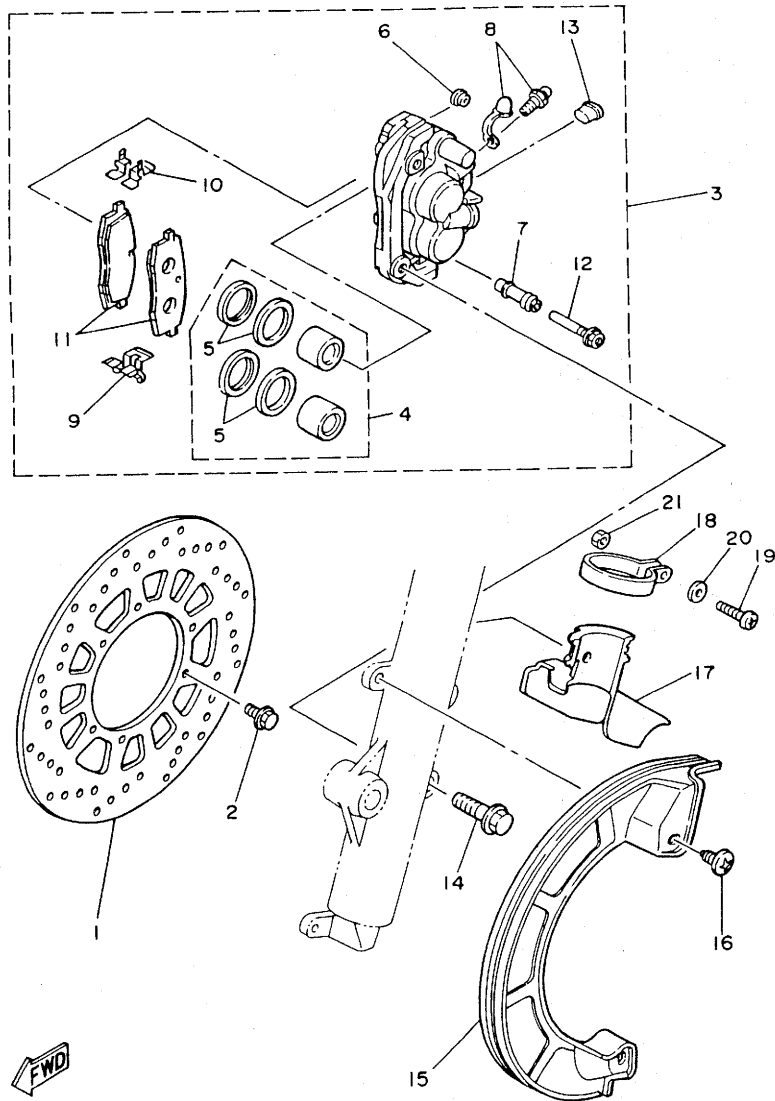
REF. NO.	PART NO.	DESCRIPTION	Q'TY	REMARKS
1	55U-25111-01-98	HUB, front	1	low gloss black
2	93306-20209	BEARING (B6202)	2	
3	136-25117-00	SPACER, bearing	1	
4	93102-20281	OIL SEAL	1	
5	94416-21436	RIM (1.60-21)	1	gold
6	4V5-25194-00	SPACER, bead	1	
7	55U-25104-00	SPOKE SET, front	1	
8	94109-210G1	TIRE (90/90-21 M2E)	1	inoue
9	94230-21126	TUBE (3.00-21)	1	inoue
10	94330-21084	BAND, rim (3.00-21)	1	bridgestone
11	55U-25181-00	AXLE, wheel	1	
12	90387-15600	COLLAR	1	
13	322-25118-00	COVER, hub dust	1	
14	1W2-25190-00	GEAR UNIT ASSY	1	



ILN700-6260

D3

FIG. 23 FRONT BRAKE CALIPER

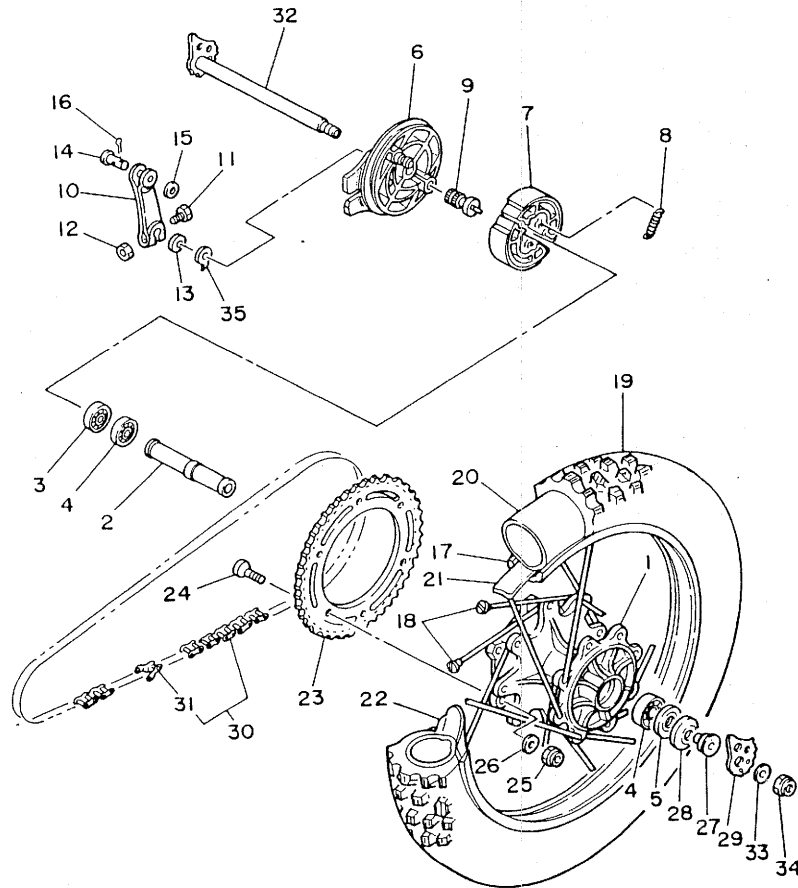


REF. NO.	PART NO.	DESCRIPTION	Q'TY	REMARKS
1	55U-25831-00	DISC, brake (RIGHT)	1	
2	90109-06757	BOLT	6	
3	1LN-25810-00	CALIPER ASSY (RIGHT)	1	titanic gray metallic
4	56A-W0057-00	.PISTON ASSY, caliper	1	
5	56A-W0047-00	..CALIPER SEAL KIT	1	
6	5R2-25917-00	.BOOT, caliper	1	
7	56A-25937-00	.BOOT 2	1	
8	51L-W0048-00	.BREED SCREW KIT	1	
9	56A-25919-00	.SUPPORT, pad	1	
10	56A-25919-10	.SUPPORT, pad	1	
11	1LN-W0045-00	.BRAKE PAD KIT, front	1	
12	56A-25926-00	.BOLT	1	
13	34X-25845-00	.CAP, indicator	1	
14	55U-25818-00	BOLT, caliper	2	
15	55U-25715-00	COVER 1	1	
16	90149-06194	SCREW	2	
17	1TY-25716-00	COVER 2	1	yamaha black
18	1TY-25719-00	BAND	1	
19	98501-05016	SCREW, pan head	1	
20	92901-05600	WASHER, plate	1	
21	95301-05600	NUT	1	



ILN700-6270

FIG. 24 REAR WHEEL



REF. NO.	PART NO.	DESCRIPTION	Q'TY	REMARKS
1	55Y-25311-00-98	HUB, rear	1	low gloss black
2	90560-17231	SPACER	1	
3	93306-20310	BEARING (B6203DU)	1	
4	93306-20316	BEARING (B6203)	2	
5	93106-25022	OIL SEAL	1	
6	43G-25321-00-98	PLATE, brake shoe	1	low gloss black
7	39W-25330-00	BRAKE SHOE COMP.	2	
8	90506-17328	SPRING, tension	2	
9	49T-25351-00	CAMSHAFT	1	
10	43G-25355-00	LEVER, camshaft	1	
11	90101-06278	BOLT	1	
12	95301-06600	NUT	1	
13	148-25359-00	SEAL, camshaft	1	
14	3R6-27237-00	PIN, clevis	1	
15	90201-12631	WASHER, plate	1	
16	91401-25022	PIN, cotter	1	
17	94418-18437	RIM (1.85-18)	1	gold
18	55Y-25304-00	SPOKE SET, rear	1	
19	94112-180G2	TIRE (120/90-18 MOC)	1	inoue
20	94211-18176	TUBE (100-120/80-100-18)	1	dunlop
21	94325-18043	BAND, rim (2.50-18)	1	inoue
22	39W-25394-00	SPACER, bead	2	
23	26A-25444-50-33	SPROCKET, driven (44T)	1	STD yamaha black
	26A-25442-50-33	SPROCKET, driven (42T)	1	AP yamaha black
	26A-25446-50-33	SPROCKET, driven (46T)	1	AP yamaha black
24	90109-08706	BOLT	6	
25	95611-08100	NUT, u	6	
26	90201-081A6	WASHER, plate	6	



IVG700-6240

D5

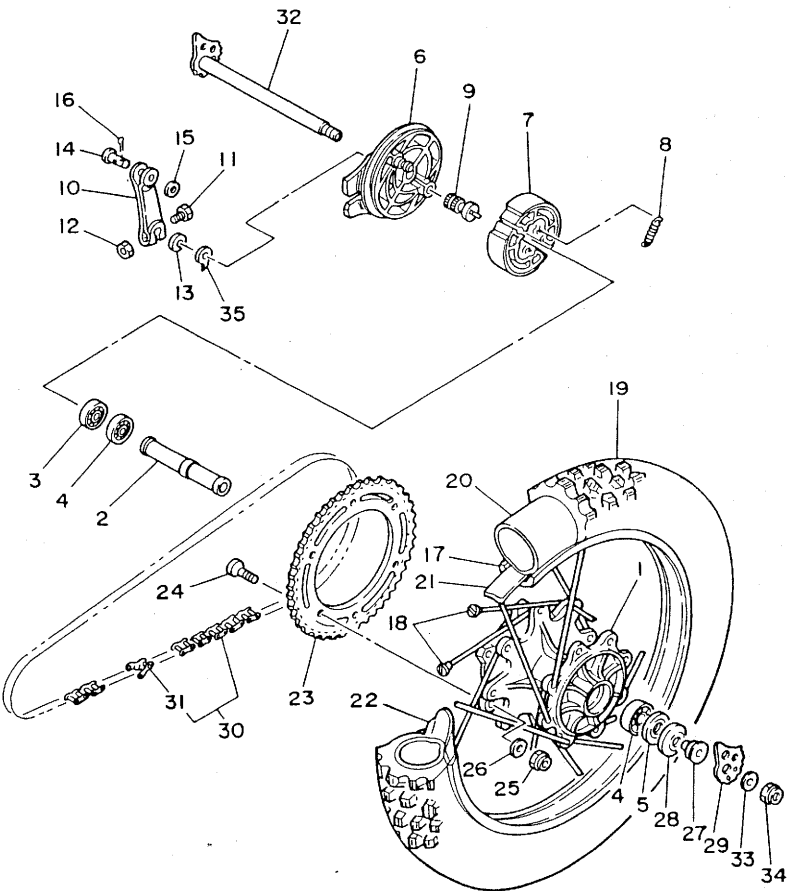


FIG. 24 REAR WHEEL

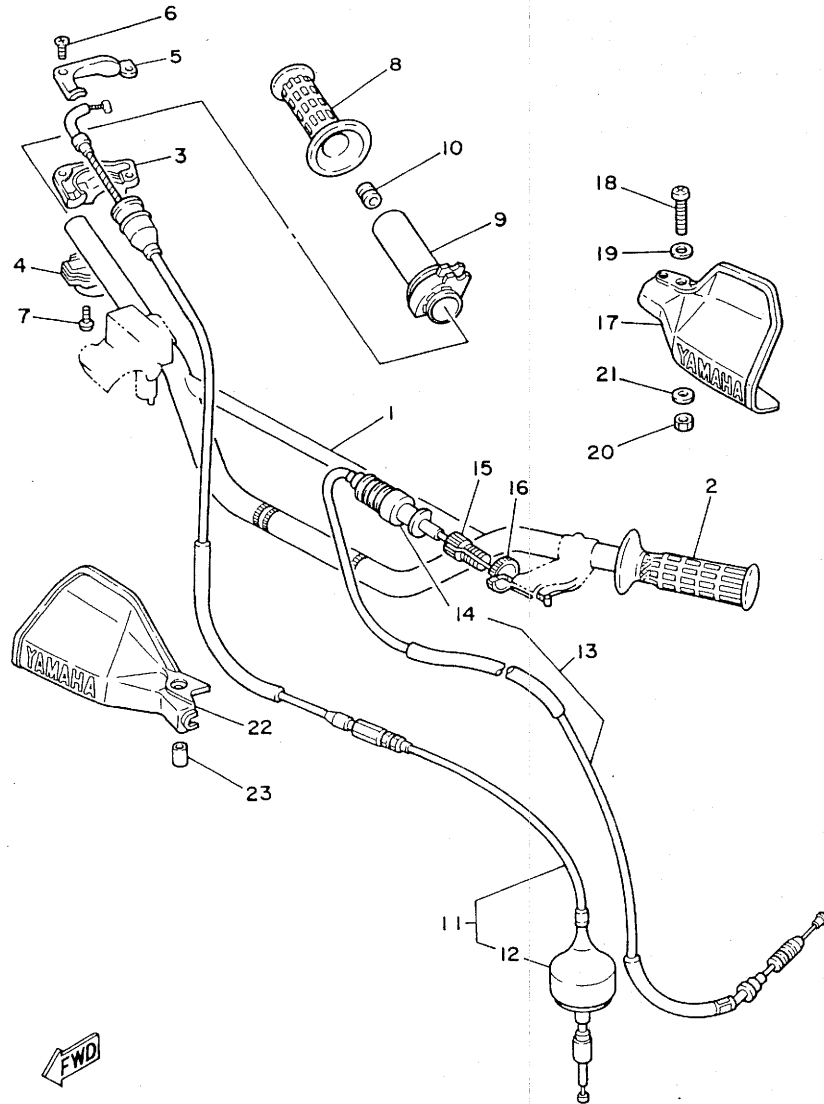
REF. NO.	PART NO.	DESCRIPTION	Q'TY	REMARKS
27	90387-175K4	COLLAR	1	
28	24X-25367-00	COVER, hub dust	1	
29	1M1-25388-01	PULLER, chain 1	1	
30	94585-20106	CHAIN (DID520DS-106L)	1	
31	94685-20001	.JOINT, chain (D.I.D 520DS)	1	
32	43G-25381-00	AXLE, wheel	1	
33	90201-160F6	WASHER, plate	1	
34	90185-16103	NUT, self-locking	1	
35	3Y6-2533A-01	PLATE, indicator	1	



IVG700-6240

D6

FIG. 25 STEERING HANDLE. CABLE



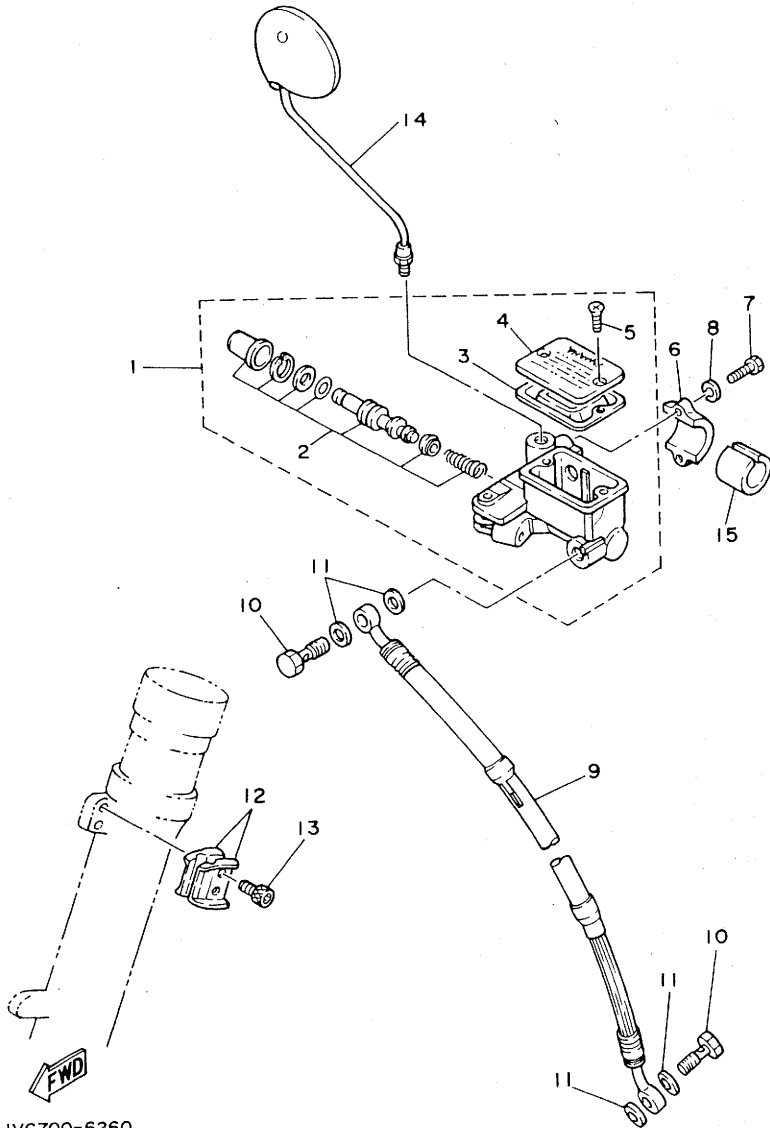
REF. NO.	PART NO.	DESCRIPTION	Q'TY	REMARKS
1	23X-26111-00	HANDLEBAR	1	
2	1LX-26241-00	GRIP (L.H)	1	
3	5X2-26281-00	CAP, grip upper	1	
4	322-26282-00	CAP, grip lower	1	
5	5X2-2628H-01	CAP, wire	1	
6	98706-04012	SCREW, flat head	2	
7	98506-05016	SCREW, pan head	2	
8	1LX-26242-00	GRIP (R.H)	1	
9	22W-26243-00	TUBE, throttle guide	1	
10	688-82535-00	GROMMET	1	
11	43G-26311-00	CABLE, throttle 1	1	
12	500-26329-01	.CAP, rubber	1	
13	43G-26335-00	CABLE, clutch	1	
14	1E6-26342-00	.BOOT, cable	1	
15	90123-08090	BOLT	1	
16	90179-08401	NUT	1	
17	1TY-26141-00	GUARD, brush 1	1	sky blue
18	92501-06035	SCREW, pan head	1	
19	92901-06600	WASHER, plate	1	
20	95301-06700	NUT	1	
21	92901-06600	WASHER, plate	1	
22	1TY-26142-00	GUARD, brush 2	1	sky blue
23	90387-06500	COLLAR	1	

FWD
ITY100-6250

D7

FIG. 26 FRONT MASTER CYLINDER

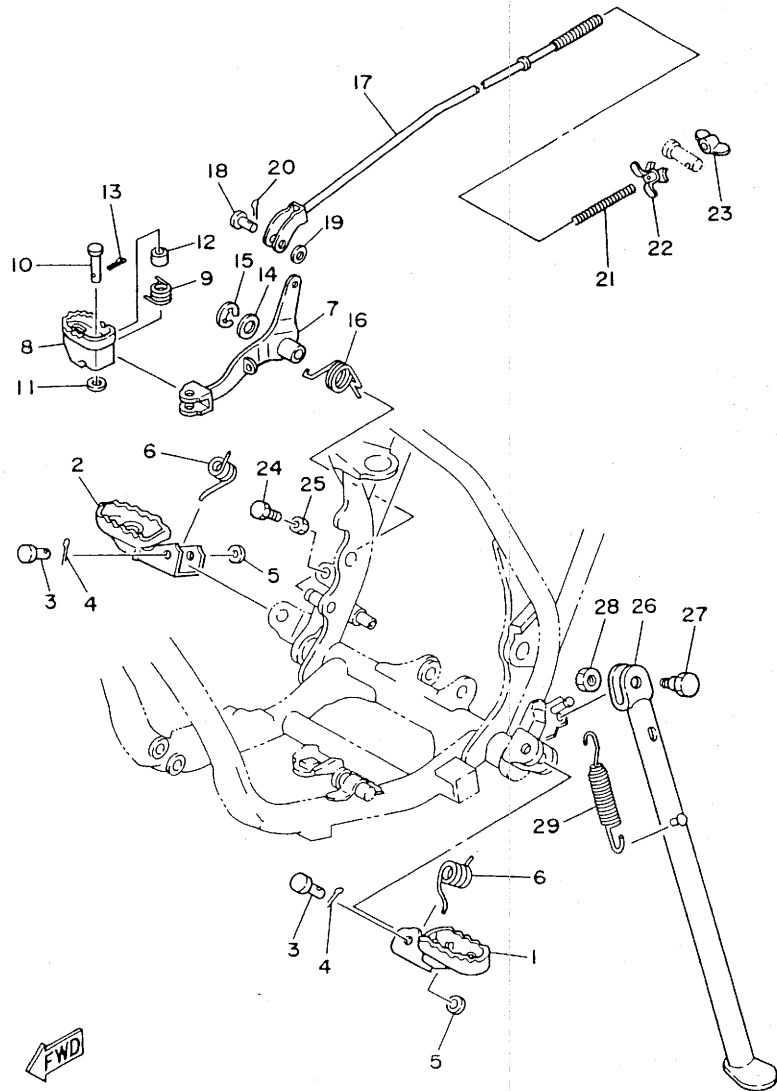
REF. NO.	PART NO.	DESCRIPTION	Q'TY	REMARKS
1	55U-25870-00	MASTER CYLINDER SUB ASSY	1	
2	56A-W0041-00	.CYLINDER KIT, master	1	
3	55U-25854-00	.DIAPHRAGM, reservoir	1	
4	55U-25852-00	.CAP, reservoir	1	
5	98706-04012	.SCREW, flat head	2	
6	56A-25867-00	BRACKET, master cylinder	1	
7	97326-06025	BOLT	2	
8	92906-06100	WASHER, spring	2	
9	1LN-25872-00	HOSE, brake l	1	
10	90401-10034	BOLT, union	2	
11	90201-10118	WASHER, plate	4	
12	90465-14192	CLAMP	2	
13	91316-06012	BOLT	2	
14	1Y1-26290-40	BACK MIRROR ASSY (R.H)	1	
15	90387-224L9	COLLAR	1	



IVG700-6260

D8

FIG. 27 STAND, FOOTREST



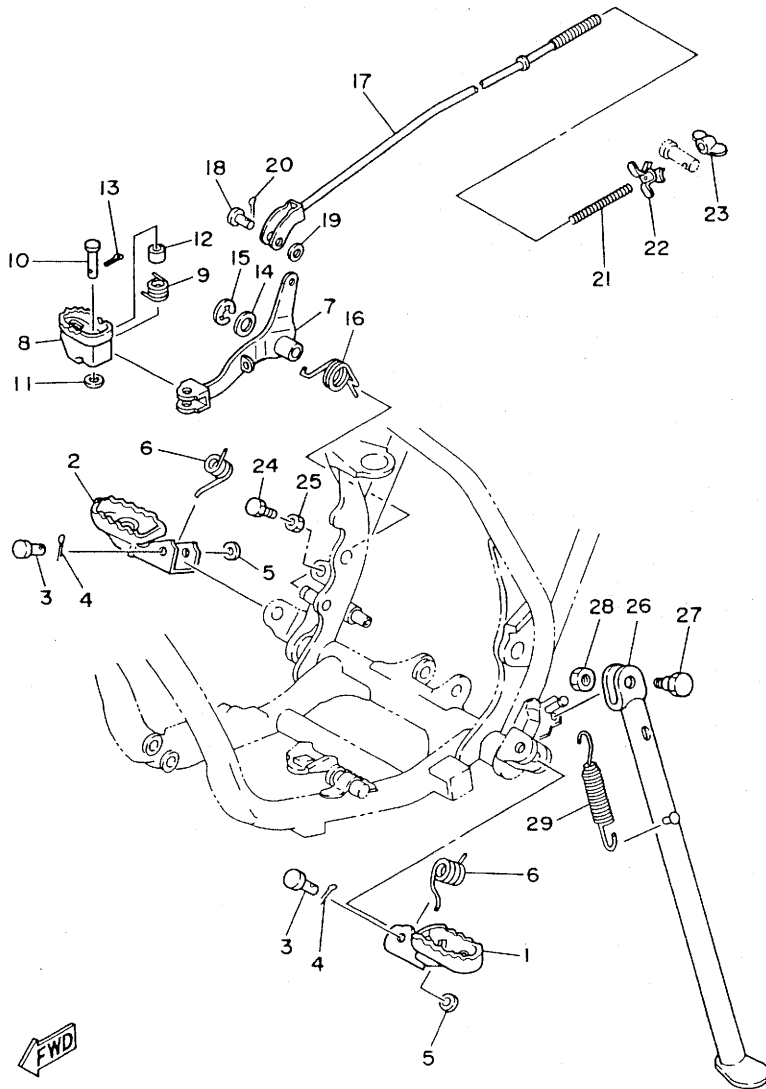
49T700-4250

REF. NO.	PART NO.	DESCRIPTION	Q'TY	REMARKS
1	23X-27411-01	FOOTREST 1	1	
2	23X-27421-02	FOOTREST 2	1	
3	90240-10101	PIN, clevis	2	
4	91401-25020	PIN, cotter	2	
5	90201-10119	WASHER, plate	2	
6	90508-20583	SPRING, torsion	2	
7	49T-27211-00	PEDAL, brake	1	
8	5X8-27242-00	PEDAL, brake	1	
9	90508-20451	SPRING, torsion	1	
10	91701-08032	PIN, clevis	1	
11	92901-08600	WASHER, plate	1	
12	90387-08762	COLLAR	1	
13	91401-25015	PIN, cotter	1	
14	92902-12600	WASHER, plate	1	
15	93430-09038	CIRCLIP	1	
16	90508-32662	SPRING, torsion	1	
17	43G-27231-00	ROD, brake	1	
18	90240-06040	PIN, clevis	1	
19	92901-06200	WASHER, plain	1	
20	91401-20015	PIN, cotter	1	
21	90501-10245	SPRING, compression	1	
22	1W2-27239-00	SEAT, spring	1	
23	20E-26343-00	NUT, adjusting	1	
24	97301-06016	BOLT	1	
25	95301-06700	NUT	1	
26	43G-27311-00-33	STAND, side	1	yamaha black
27	90109-08032	BOLT	1	
28	95301-08700	NUT	1	

D9

FIG. 27 STAND. FOOTREST

REF. NO.	PART NO.	DESCRIPTION	Q'TY	REMARKS
29	90507-29009	SPRING, tension	1	

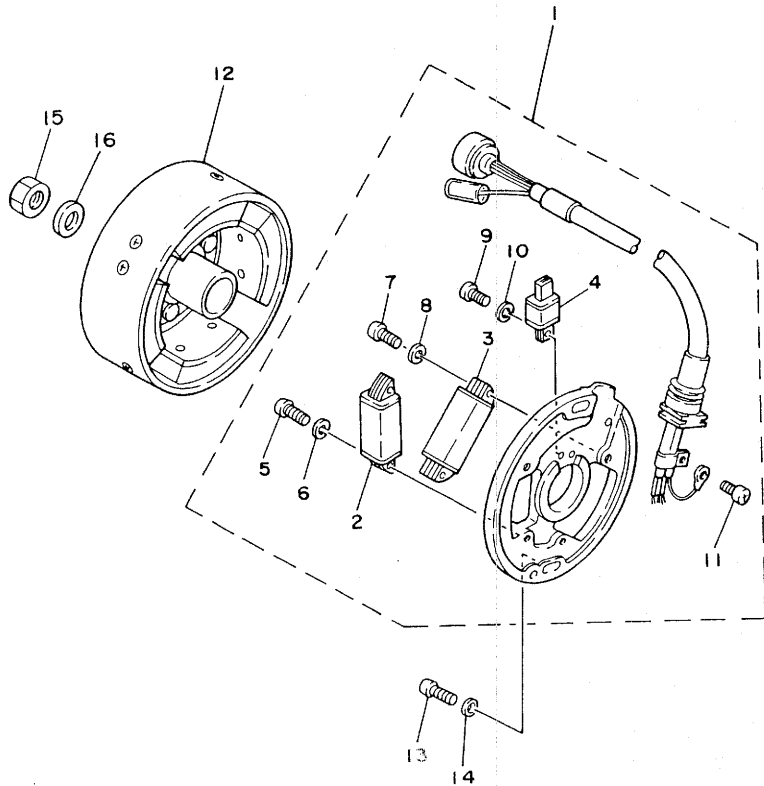


49T700-4250

D10

FIG. 28 GENERATOR

REF. NO.	PART NO.	DESCRIPTION	Q'TY	REMARKS
1	49T-85510-20	STATOR ASSY	1	
2	23X-85520-21	.COIL, charge	1	
3	4J0-85513-20	.COIL, lighting 1	1	
4	43G-85580-20	.COIL, pulser	1	
5	98501-04016	.SCREW, pan head	2	
6	92901-04100	.WASHER, spring	2	
7	98501-04030	.SCREW, pan head	2	
8	92901-04100	.WASHER, spring	2	
9	98501-04014	.SCREW, pan head	1	
10	92901-04100	.WASHER, spring	1	
11	110-81345-21	.SCREW, pan head	1	
12	43G-85550-21	ROTOR ASSY	1	
13	92501-06014	SCREW, pan head	2	
14	92901-06600	WASHER, plate	2	
15	90170-12067	NUT	1	
16	90201-12593	WASHER, plate	1	



43G100-4261

D11

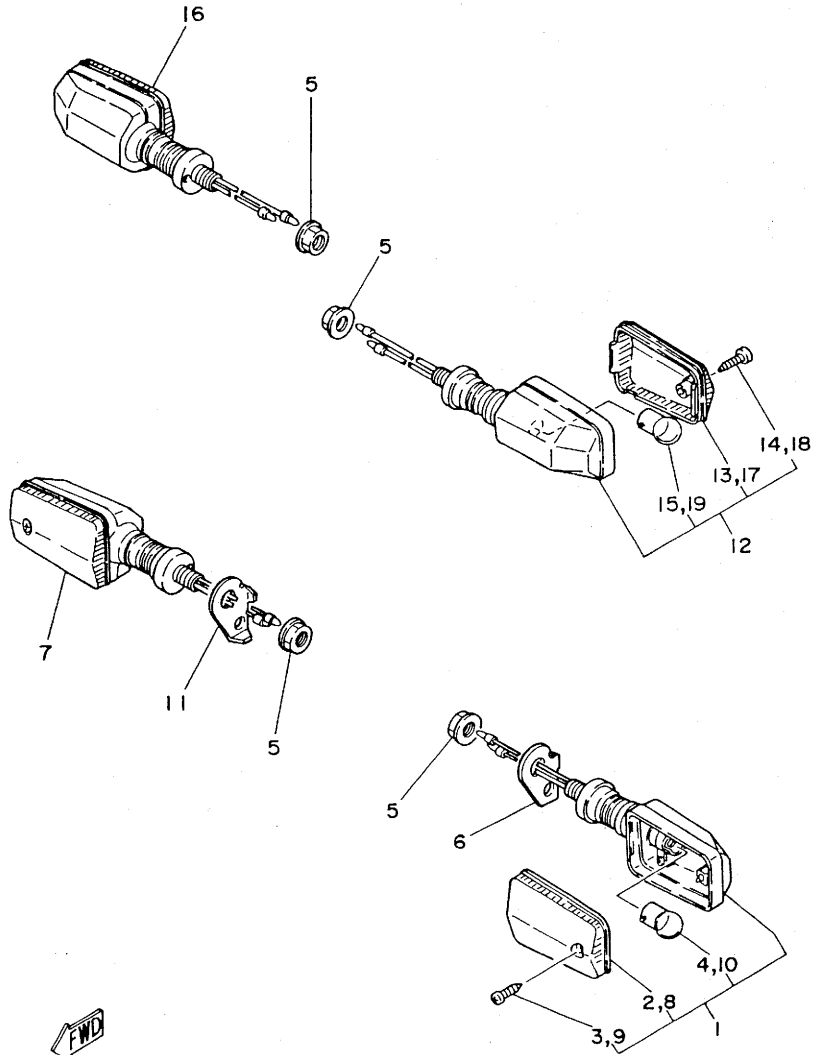


FIG. 29 FLASHER LIGHT

REF. NO.	PART NO.	DESCRIPTION	Q'TY	REMARKS
1	17W-83310-10	FRONT FLASHER LIGHT ASSY 1	1	
2	17W-83312-10	.LENS, flasher	1	
3	97780-40520	.SCREW, tapping	1	
4	152-83311-10	.BULB (6V-10W)	1	
5	95702-12100	NUT, flange	4	
6	5X9-83318-01	STAY, flasher 1	1	
7	17W-83320-10	FRONT FLASHER LIGHT ASSY 2	1	
8	17W-83322-10	.LENS, flasher 2	1	
9	97780-40520	.SCREW, tapping	1	
10	152-83311-10	.BULB (6V-10W)	1	
11	5X9-83328-01	STAY, flasher 2	1	
12	17W-83330-10	REAR FLASHER LIGHT ASSY 1	1	
13	17W-83322-10	.LENS, flasher 2	1	
14	97780-40120	.SCREW, tapping	1	
15	152-83311-10	.BULB (6V-10W)	1	
16	17W-83340-10	REAR FLASHER LIGHT ASSY 2	1	
17	17W-83312-10	.LENS, flasher	1	
18	97780-40120	.SCREW, tapping	1	
19	152-83311-10	.BULB (6V-10W)	1	

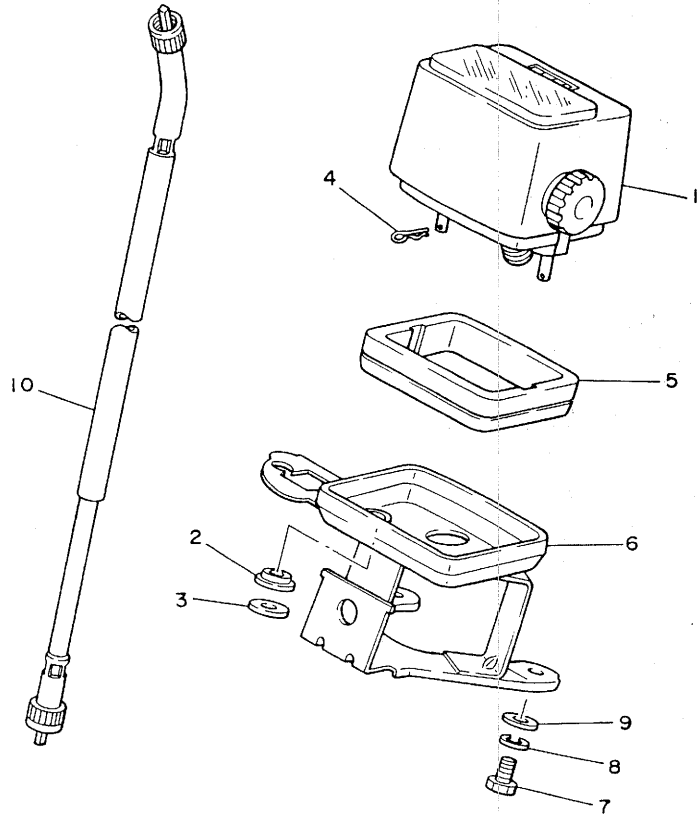


49T700-4270

D12

FIG. 30 METER

REF. NO.	PART NO.	DESCRIPTION	Q'TY	REMARKS
1	29W-83570-F1	SPEEDOMETER ASSY	1	
2	1M1-83526-00	DAMPER 2	2	
3	1E6-83524-60	WASHER, special	2	
4	437-83525-00	CLIP	2	
5	29W-83513-00	DAMPER	1	
6	29W-83519-00	BRACKET, meter	1	
7	97321-06012	BOLT	2	
8	92990-06100	WASHER, spring	2	
9	92901-06600	WASHER, plate	2	
10	4V5-83550-00	SPEEDOMETER CABLE ASSY	1	

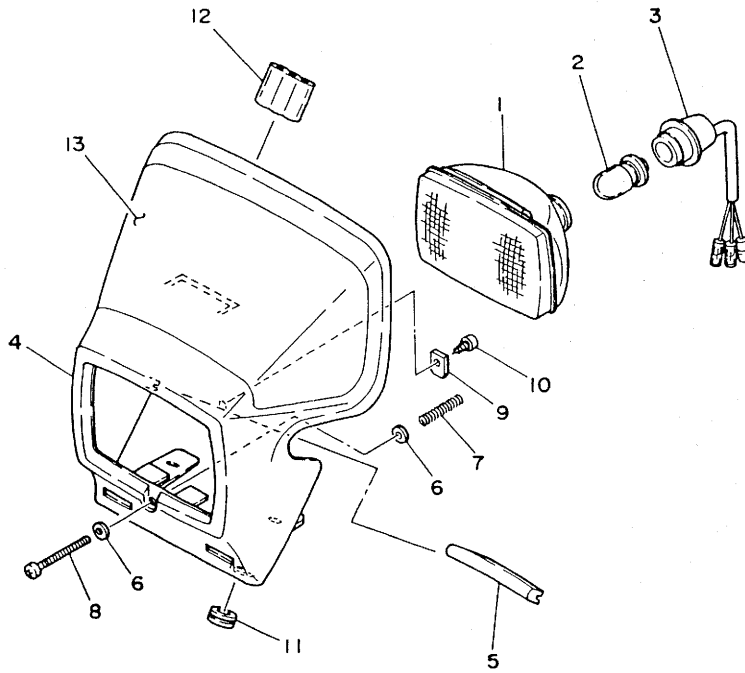


49T700-4280

D13

FIG. 31 HEADLIGHT

REF. NO.	PART NO.	DESCRIPTION	Q'TY	REMARKS
1	18A-84120-00	LENS ASSY	1	
2	4G2-84114-00	BULB, headlight (6V-25/25W)	1	
3	26A-84140-00	SOCKET CORD ASSY	1	
4	26A-84111-01	BODY, headlight	1	sky blue
5	26A-84143-00	DAMPER, headlight stay	1	
6	92901-04600	WASHER, plate	2	
7	18A-84132-00	SPRING, screw	1	
8	18A-84131-00	SCREW, rim adjuster	1	
9	26A-8411H-00	PLATE, stopper	2	
10	97701-40510	SCREW, panhead tapping	2	
11	90480-12053	GROMMET	2	
12	4V5-83592-00	DAMPER	1	
13	26A-84141-00	EMBLEM, headlight	1	



IVG700-6310

D14

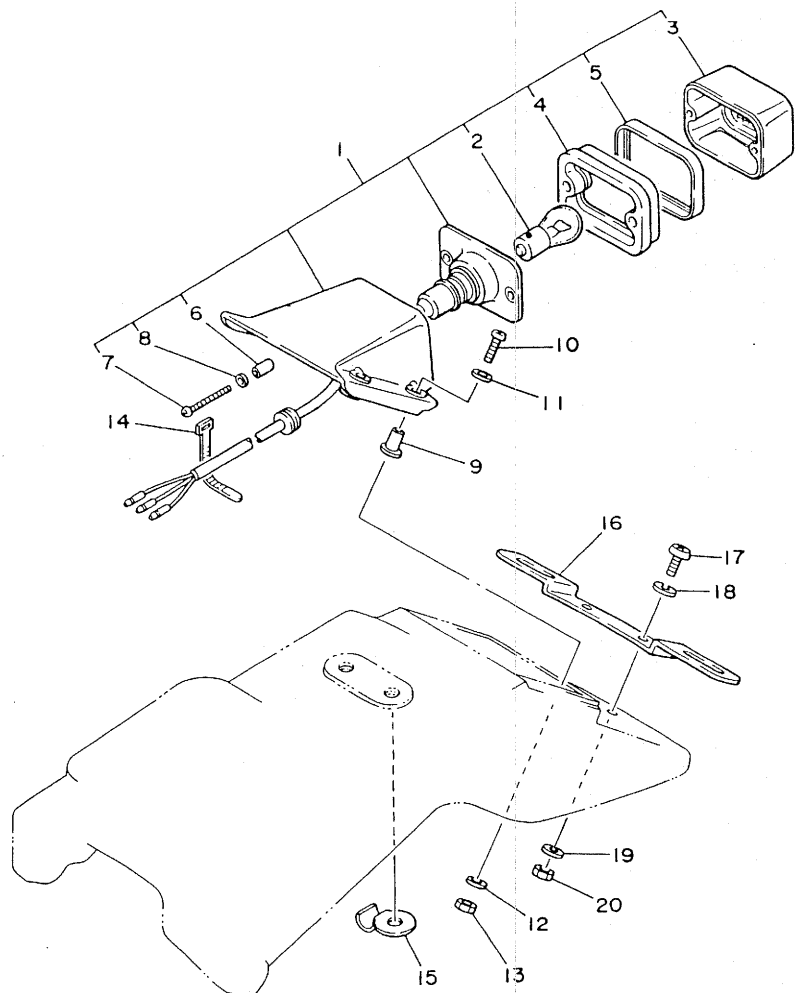


FIG. 32 TAILLIGHT

REF. NO.	PART NO.	DESCRIPTION	Q'TY	REMARKS
1	36A-84500-01	TAILLIGHT ASSY	1	
2	122-84514-00	.BULB (6V-10/3W)	1	
3	434-84521-69	.LENS, taillight	1	
4	29W-84527-00	.DAMPER	1	
5	434-84515-61	.RIM, taillight	1	
6	29W-84557-00	.COLLAR	2	
7	98502-04035	.SCREW, pan head	2	
8	92901-04600	.WASHER, plate	2	
9	90387-062M3	COLLAR	4	
10	92501-06035	SCREW, pan head	4	
11	92901-06600	WASHER, plate	4	
12	90201-06571	WASHER, plate	4	
13	95302-06600	NUT	4	
14	437-83936-00	BAND, switch cord	2	
15	34K-21615-00	WASHER, special 1	1	
16	36A-84551-00	BRACKET, licence	1	
17	92502-06016	SCREW, pan head	2	
18	92990-06100	WASHER, spring	2	
19	92990-06100	WASHER, spring	2	
20	95302-06600	NUT	2	

FWD

IVG700-6320

D15

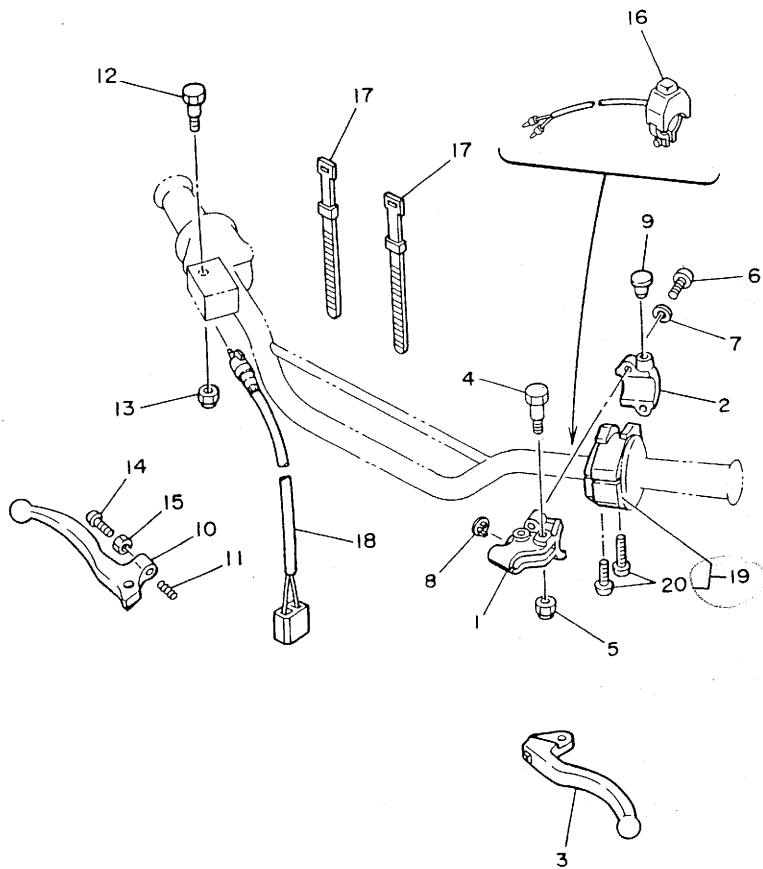


FIG. 33 HANDLE SWITCH. LEVER

REF. NO.	PART NO.	DESCRIPTION	Q'TY	REMARKS
1	1LN-82911-00	HOLDER, lever 1	1	
2	33G-82913-00	HOLDER, lever lower 1	1	
3	23X-83912-00	LEVER 1	1	
4	90109-06799	BOLT	1	
5	95606-06100	NUT, u	1	
6	98506-05020	SCREW, pan head	2	
7	92906-05100	WASHER, spring	2	
8	503-83956-00	CAP 1	1	
9	90338-09012	PLUG	1	
10	55Y-83922-00	LEVER 2	1	
11	90501-10312	SPRING, compression	1	
12	90109-06774	BOLT	1	
13	95601-06100	NUT, u	1	
14	90149-06153	SCREW	1	
15	90170-06010	NUT	1	
16	23X-83976-00	SWITCH, handle 1	1	
17	437-83936-00	BAND, switch cord	2	
18	34X-83980-01	FRONT STOP SWITCH ASSY	1	
19	5X9-83972-00	SWITCH, handle 4	1	
20	98506-05022	.SCREW, pan head	2	

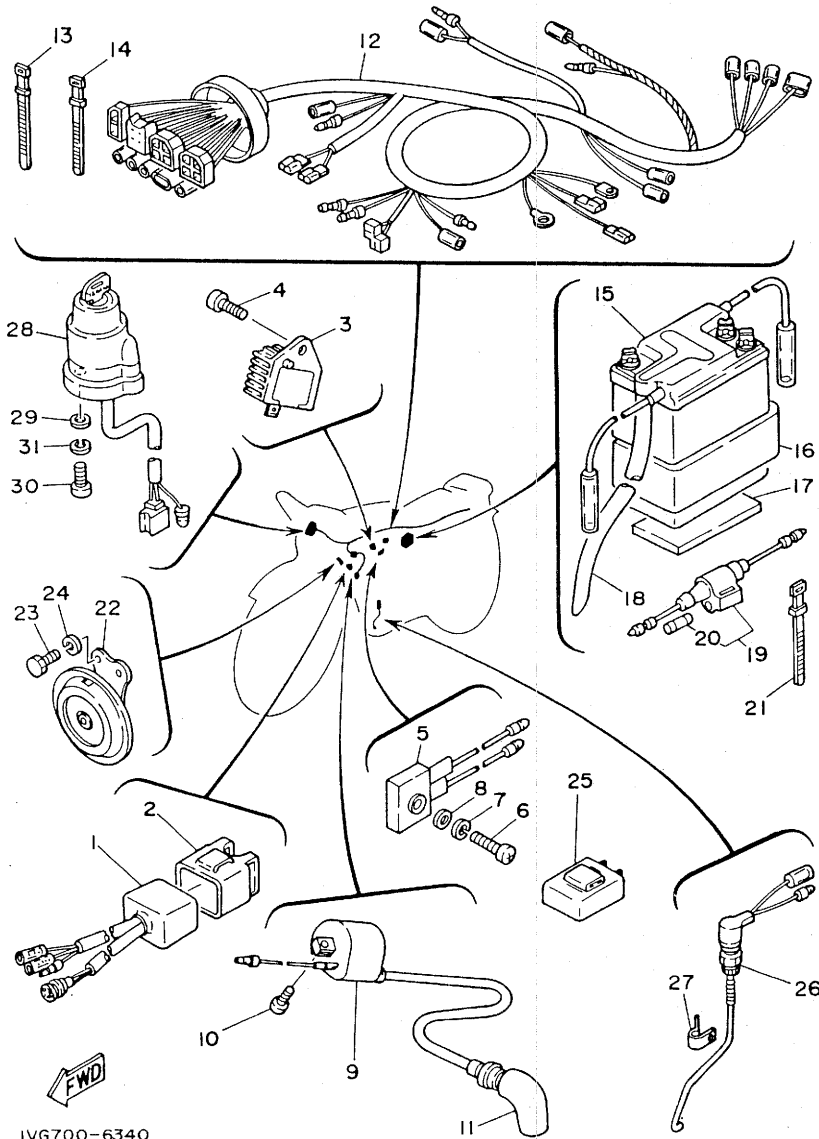


IVG700-6330

E2

FIG. 34 ELECTRICAL 1

REF. NO.	PART NO.	DESCRIPTION	Q'TY	REMARKS
1	23X-85540-20	C.D.I. UNIT ASSY	1	
2	2A7-85546-00	BAND	1	
3	4F4-81910-60	VOLTAGE REGULATOR ASSY	1	stanley
4	92502-06016	SCREW, pan head	1	
5	353-81970-63	RECTIFIER ASSY	1	stanley
6	98501-05020	SCREW, pan head	1	
7	92901-05100	WASHER, spring	1	
8	92901-05600	WASHER, plate	1	
9	43G-82310-40	IGNITION COIL ASSY	1	
10	92502-06016	SCREW, pan head	2	
11	1M1-82370-21	PLUG CAP ASSY	1	with noise suppressor
12	49T-82590-00	WIRE HARNESS ASSY	1	
13	256-83936-00	BAND, switch cord	1	
14	437-83936-00	BAND, switch cord	3	
15	2E9-82110-29	BATTERY ASSY (6N2-2A-7)	1	
16	29W-82122-01	SEAT, battery	1	
17	29W-82123-00	SEAT, battery	2	
18	90445-08172	HOSE	1	
19	1E6-82150-00	FUSE HOLDER ASSY	1	
20	1E6-82151-00	.FUSE (10A)	2	
21	7F6-82591-00	BAND	3	
22	4U5-83371-10	HORN	1	
23	97301-06010	BOLT	2	
24	92990-06100	WASHER, spring	2	
25	29F-83350-10	FLASHER RELAY ASSY	1	
26	5L4-82530-00	STOP SWITCH ASSY	1	
27	90462-05005	CLAMP	1	
28	5L4-82508-20	MAIN SWITCH ASSY	1	

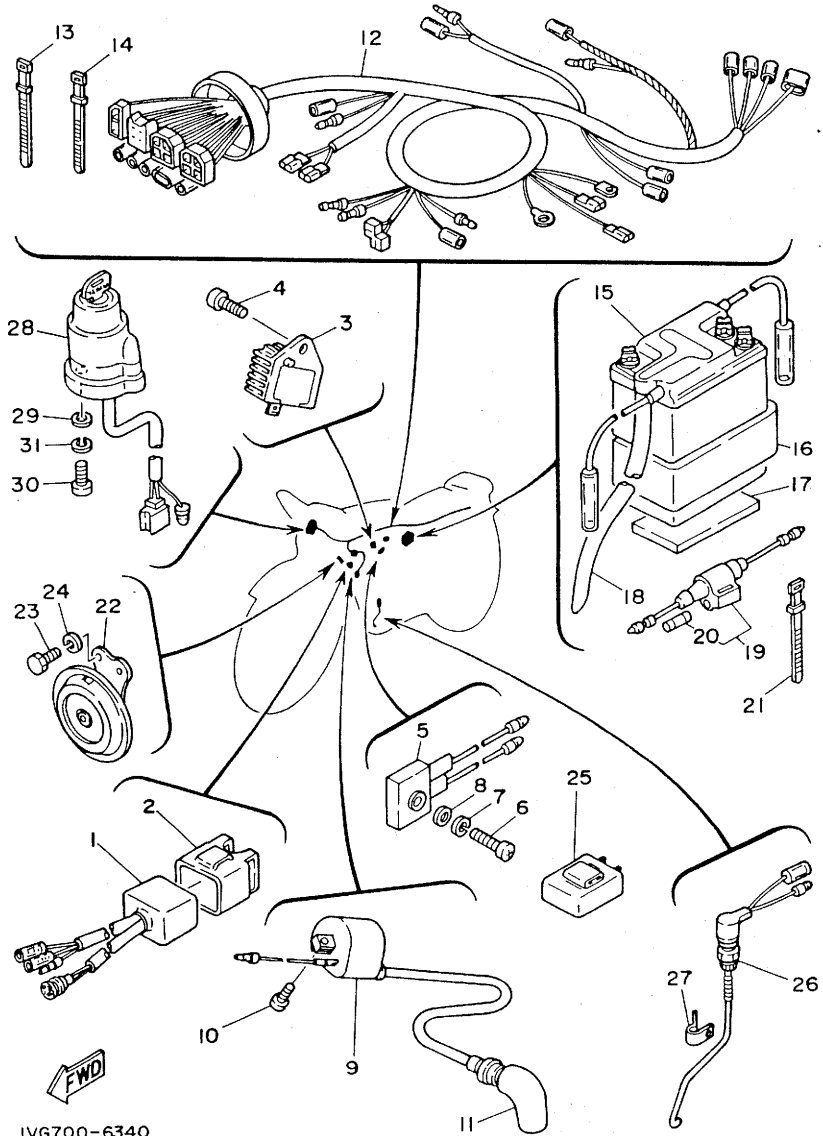


IVG700-6340

E3

FIG. 34 ELECTRICAL 1

REF. NO.	PART NO.	DESCRIPTION	Q'TY	REMARKS
29	90201-05033	WASHER, plate	2	
30	98501-05025	SCREW, pan head	2	
31	92901-05100	WASHER, spring	2	

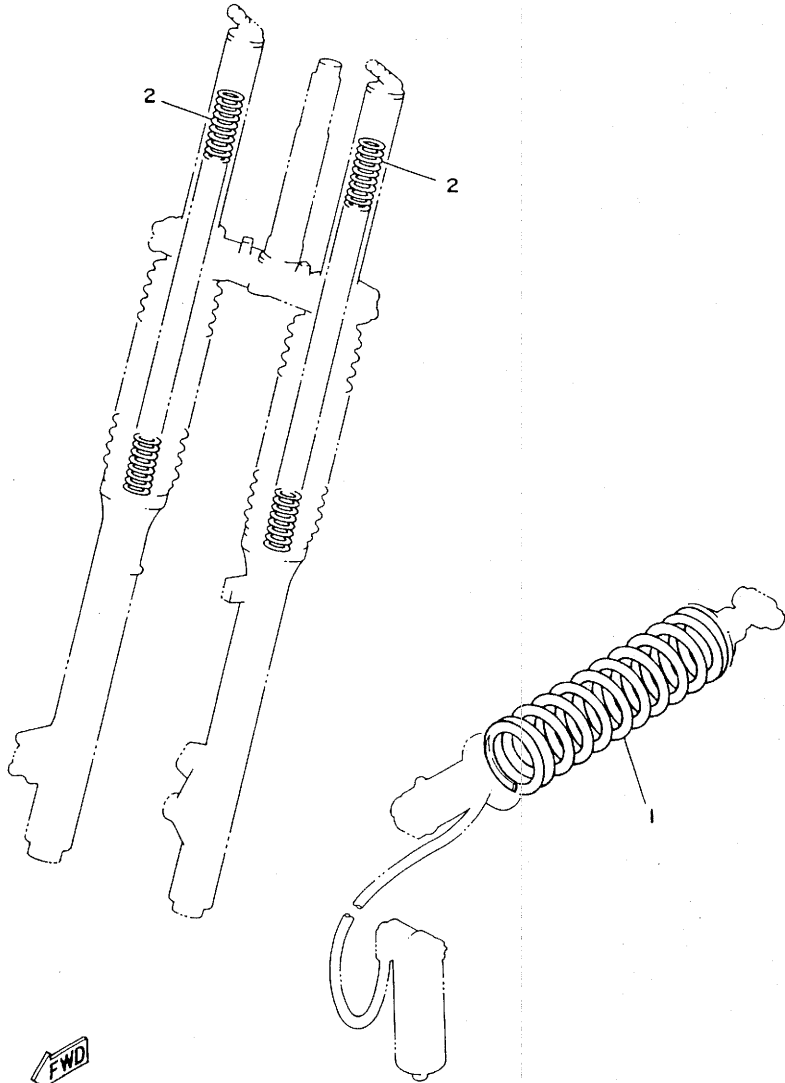


IVG700-6340

E4

FIG. 35 ALTERNATE 1 (CHASSIS)

REF. NO.	PART NO.	DESCRIPTION	Q'TY	REMARKS
1	43G-22212-10-26	SPRING (K=5.0)	1	UR competition yellow soft
	43G-22212-20-26	SPRING (K=6.0)	1	UR competition yellow hard
2	43G-23141-10	SPRING, front fork (K=0.275)	2	UR soft
	43G-23141-20	SPRING, front fork (K=0.325)	2	UR hard



39W100-4320

E5

FIG. 36 REPAIR KIT

REF. NO.	PART NO.	DESCRIPTION	Q'TY	REMARKS
1	43G-11630-00	PISTON ASSY (STD)	1	AP
2	43G-11631-00-95	.PISTON (STD)	1	
3	43G-11601-00	.PISTON RING SET (STD)	1	
4	251-11633-00	.PIN, piston	1	
5	4V2-11634-00	.CLIP, piston pin	2	
6	43G-11630-10	PISTON ASSY (1ST O/S)	1	AP
7	43G-11635-00	.PISTON (0.25MM O/S)	1	
8	43G-11601-10	.PISTON RING SET (1ST O/S)	1	
9	251-11633-00	.PIN, piston	1	
10	4V2-11634-00	.CLIP, piston pin	2	
11	43G-11630-20	PISTON ASSY (2ND O/S)	1	AP
12	43G-11636-00	.PISTON (0.50MM O/S)	1	
13	43G-11601-20	.PISTON RING SET (2ND O/S)	1	
14	251-11633-00	.PIN, piston	1	
15	4V2-11634-00	.CLIP, piston pin	2	
16	43G-11630-30	PISTON ASSY (3RD O/S)	1	AP
17	43G-11637-00	.PISTON (0.75MM O/S)	1	
18	43G-11601-30	.PISTON RING SET (3RD O/S)	1	
19	251-11633-00	.PIN, piston	1	
20	4V2-11634-00	.CLIP, piston pin	2	
21	43G-11630-40	PISTON ASSY (4TH O/S)	1	AP
22	43G-11638-00	.PISTON (1.00MM O/S)	1	
23	43G-11601-40	.PISTON RING SET (4TH O/S)	1	
24	251-11633-00	.PIN, piston	1	
25	4V2-11634-00	.CLIP, piston pin	2	
26	43G-11650-00	CONNECTING ROD ASSY	1	AP
27	43G-11651-00	.ROD, connecting	1	
28	43G-11681-00	.PIN, crank 1	1	

FIG. 36 REPAIR KIT

REF. NO.	PART NO.	DESCRIPTION	Q'TY	REMARKS
29	90209-22071	.WASHER	2	
30	93310-522M4	.BEARING, cylindrical	1	
31	93310-316H6	.BEARING, cylindrical	1	

E7

NUMERICAL INDEX

PART NO.	GRID NO.	PART NO.	GRID NO.	PART NO.	GRID NO.	PART NO.	GRID NO.	PART NO.	GRID NO.	PART NO.	GRID NO.
56A-W0041-00	D- 8	4V2-11634-00	E- 6	43G-14422-00	B- 5	353-16357-00	B-11	23X-22129-00	C- 6	43G-23141-L0	C-11
1LN-W0045-00	D- 4	43G-11635-00	B- 3	26A-14436-00	B- 5	1W1-16358-00	B-11	5X4-22141-01	C- 5		C-12
56A-W0047-00	D- 4		E- 6	43G-14436-00	B- 5	43G-16371-00	B-11	39W-22151-00	C- 5	43G-23141-10	E- 5
51L-W0048-00	D- 4	43G-11636-00	B- 3	43G-14437-00	B- 5	3R3-16380-02	B-11	43G-2217A-00	C- 5	43G-23141-20	E- 5
56A-W0057-00	D- 4		E- 6	43G-14451-00	B- 4	43G-17121-00	B-12	23X-2217F-00	C- 6	4V4-23142-L0	C-11
43G-W1511-00	B- 8	43G-11637-00	B- 3	43G-14452-00	B- 4	43G-17131-00	B-12	30X-22178-00	C- 2		C-12
5X8-W2231-01	C- 6		E- 6	43G-14453-00	B- 4	43G-17151-01	B-12		C- 2	23X-23144-L0	C-11
43G-W2473-00	D- 2	43G-11638-00	B- 3	43G-14455-00	B- 5	43G-17161-01	B-12	1TY-2218A-00	C- 6		C-12
43G-11111-00	B- 2		E- 6	39K-14457-00	B- 5	43G-17211-00	B-12	4V4-22184-00	C- 2	23X-23145-L0	C-11
463-11127-02	B- 2	43G-11650-00	E- 6	43G-14457-00	B- 5	43G-17221-00	B-12		C- 2		C-11
3R6-11162-00	B- 2	43G-11651-00	B- 3	43G-14458-00	B- 4	43G-17231-01	B-12	39W-22199-00	C- 5	4V4-23146-L0	C-11
3R9-11162-00	B- 2		E- 6	43G-14459-00	B- 4	43G-17241-01	B-12	1TY-22210-00-26	C- 8		C-12
43G-11181-01	B- 2	43G-11681-00	B- 3	43G-14462-00	B- 4	43G-17251-00	B-12	23X-22211-00	C- 8	3J2-23147-00	C-11
49T-11181-00	B- 2		E- 6	43G-14467-00	B- 5	43G-17261-00	B-12	43G-22212-00-26	C- 8		C-12
43G-11311-00	B- 2	353-13115-01	B- 8	4V2-14468-02	B- 4	43G-17411-00	B-12	43G-22212-10-26	E- 5	5X6-23152-L0	C-11
43G-11351-01	B- 2	43G-13565-00	B- 4	34K-14484-00	B- 5	137-17417-00-05	B-10	43G-22212-20-26	E- 5		C-12
43G-11400-00	B- 3	5X8-13581-00	B- 4	43G-14610-00	B- 7	43G-17421-00	B-12	3R4-22213-00	C- 8	4V4-23153-L0	C-11
43G-11412-00	B- 3	43G-13591-00	B- 5	3R6-14613-01	B- 7	1G8-17461-10	B-13	22W-22214-00	C- 8		C-11
43G-11422-00	B- 3	1LX-13610-00	B- 4	4J0-14617-00	B- 7	1G8-17461-20	B-13	3R4-22221-01	C- 8	4V4-23157-L0	C-11
43G-11601-00	B- 3	55Y-13613-00	B- 4	1M1-14714-00	B- 7	1G8-17461-30	B-13	38V-22223-00	C- 8		C-12
	E- 6	55Y-13616-00	B- 4	5X8-14752-01	B- 7	3R3-17471-00	B-12	5X2-22228-00	C- 8	4V4-23158-L0	C-11
	B- 3	39W-13621-00	B- 5	43G-14753-00	B- 7	24X-18101-00	B-15	24X-22261-00	C- 9		C-12
43G-11601-10	E- 6	43G-1410A-00	B- 6	1M1-14772-00	B- 7	5X4-18110-01	B-15	24X-22262-00	C- 9	43M-23167-L0	C-12
	B- 3	43G-14101-10	B- 6	1W2-14787-00	B- 7	1W6-18113-00	B-15	5X9-22312-00	C- 6	1TY-23170-00	C-11
43G-11601-20	E- 6	24X-14103-00	B- 6	24X-1490J-00	B- 6	3R3-18140-00	B-14	5X9-22318-00	C- 6		C-12
	B- 3	43G-14104-00	B- 6	43G-15121-00	B- 8	1W1-18177-00	B-14	1TY-22401-00	C- 8	4V4-23171-L0	C-11
	E- 6	24X-14106-00	B- 6	3R3-15128-01	B- 8	43G-18511-00	B-14	39W-22409-00	C- 8		C-12
43G-11601-40	B- 3	24X-14107-33	B- 6	1G8-15362-00	B- 9	43G-18512-00	B-14	39K-22472-00	C- 8	4V4-23173-L0	C-11
	E- 6	5X8-14112-20	B- 6	2K7-15383-00	B-12	43G-18513-00	B-14	29L-22475-00	C- 8		C-12
43G-11630-00	E- 6	500-14115-00	B- 6	3R3-15411-01	B- 9	5X5-18531-01	B-14	1TY-22489-00	C- 8	4V4-23181-L0	C-11
43G-11630-10	E- 6	363-14131-00	B- 6	43G-15421-00	B- 9	5X5-18535-01	B-14	39W-22493-00	C- 8		C-12
43G-11630-20	E- 6	239-14141-50	B- 6	5X9-15431-00	B- 9	24X-18540-00	B-14	5X3-22497-00	C- 8	4V4-23188-L0	C-11
43G-11630-30	E- 6	193-14142-70	B- 6	3R3-15451-01	B- 9	49T-21110-00-33	C- 2	1TY-23102-00	C-11		C-12
43G-11630-40	E- 6	137-14143-66	B- 6	43G-15455-00	B- 9	29W-21170-00	C- 4	1TY-23103-00	C-11	34K-23190-00	C-10
43G-11631-00-95	B- 3	313-14146-00	B- 6	3R3-15618-01	B-10	24X-21419-01	C- 2	43M-23110-L0	C-11	23X-23190-L0	C-11
	E- 6	483-14146-00	B- 6	43G-15620-00	B-10	43G-21425-00	C- 2		C-12		C-12
	B- 3	558-14147-00	B- 6	5X3-15621-00	B-10	43G-2147A-00	C- 2	43M-23111-L0	C-11	39X-23191-00	C-12
43G-11631-00-96	B- 3	1G8-14153-00	B- 6	3R3-15641-00	B-10	3R9-21511-10	C- 3		C-12	43M-23192-L0	C-12
251-11633-00	E- 6	3R3-14158-00	B- 6	43G-15651-00	B-10	49T-21611-00	C- 3	43G-23118-L0	C-11	3R4-23317-00	C-10
	E- 6	483-14184-00	B- 6	248-15654-00	B-10	34K-21615-00	D-15		C-12	26A-23318-00	C-10
	E- 6	310-14185-00	B- 6	39W-15660-00	B-10	43G-21642-00	C- 3	122-23119-01	C-11	43G-23340-L0	C-12
	E- 6	127-14186-00	B- 6	3R3-15666-00	B-10	43G-21711-00-26	C- 4		C-12	3R4-23389-00	C-10
	E- 6	310-14187-00	B- 6	43G-16111-00	B-11	43G-21721-00-26	C- 4	4V4-23125-L0	C-11	4V5-23389-00	C-13
	B- 3	493-14196-00	B- 6	43G-16150-00	B-11	43G-21781-00	B- 4		C-12	1W1-23416-00	C-10
4V2-11634-00	E- 6	310-14197-00	B- 6	537-16321-00	B-11		C- 4	1TY-23126-00	C-11	39W-23435-01-98	C-10
	E- 6	4V3-1441K-00	B- 4	137-16325-70	B-11	43G-22110-00	C- 5	122-23129-00	C-11	1E6-23441-00	C-10
	E- 6	43G-14411-00	B- 4	1W1-16351-00	B-11	156-22127-00	C- 5		C-12	43M-23489-L0	C-12
	E- 6	43G-14412-00	B- 4	1W1-16356-01	B-11	2K6-22128-01	C- 5	1TY-23136-00	C-11	43G-24110-00-04	C-14

NUMERICAL INDEX

PART NO.	GRID NO.	PART NO.	GRID NO.	PART NO.	GRID NO.	PART NO.	GRID NO.	PART NO.	GRID NO.	PART NO.	GRID NO.
5X6-2412F-00	C-14	55U-25831-00	D- 4	5L4-82508-20	E- 3	26A-84141-00	D-14	90179-08246	B- 2	90201-160F6	D- 6
24X-24144-00	C-14	34X-25845-00	D- 4	5L4-82530-00	E- 3	26A-84143-00	D-14	90179-08401	D- 7	90201-174E1	B-11
5X6-2415F-01	C-14	55U-25852-00	D- 8	688-82535-00	D- 7	36A-84500-01	D-15	90179-10280	C- 2		B-11
59W-24173-00	C-14	55U-25854-00	D- 8	49T-82590-00	E- 3	122-84514-00	D-15	90179-12302	B-11	90201-20266	B-12
22W-24181-00	C- 4	56A-25867-00	D- 8	7F6-82591-00	E- 3	434-84515-61	D-15	90179-16226	B-13	90201-22555	B-12
43G-24181-00	C-15	55U-25870-00	D- 8	1LN-82911-00	E- 2	434-84521-69	D-15	90179-22330	C-10	90201-22680	C- 5
1TY-24250-00	C-14	1LN-25872-00	D- 8	33G-82913-00	E- 2	29W-84527-00	D-15	90179-25033	C-10	90202-06010	B- 7
43G-24500-00	C-14	5R2-25917-00	D- 4	17W-83310-10	D-12	36A-84551-00	D-15	90185-06098	D- 2		C-14
4X8-24512-00	C-14	56A-25919-00	D- 4	152-83311-10	D-12	29W-84557-00	D-15	90185-08106	C- 5	90202-08022	C- 2
4X8-24534-00	C-14	56A-25919-10	D- 4		D-12	49T-85510-20	D-11	90185-08113	C- 2	90204-12007	B-11
3R9-24611-01	C-15	56A-25926-00	D- 4		D-12	29W-84557-00	D-15		C- 2	90209-16255	B-12
3R9-24612-00	C-14	56A-25937-00	D- 4		D-12	49T-85510-20	D-11		C- 6	90209-18135	B-12
509-24724-00	D- 2	23X-26111-00	D- 7	17W-83312-10	D-12	23X-85520-21	D-11	90185-10120	C- 8	90209-22071	B- 3
	D- 2	1TY-26141-00	D- 7		D-12	23X-85540-20	E- 3		C- 9		E- 7
	D- 2	1TY-26142-00	D- 7	5X9-83318-01	D-12	27-85546-00	E- 3		C- 6	90214-09019	C- 2
43G-24731-00	D- 2	1LX-26241-00	D- 7	17W-83320-10	D-12	43G-85550-21	D-11	90185-12119	C- 6		C- 2
39W-24738-00	D- 2	1LX-26241-00	D- 7	17W-83320-10	D-12	29W-85580-20	D-11	90185-16103	D- 6	90215-14204	B-11
5X6-24748-10	D- 2	1LX-26242-00	D- 7	17W-83322-10	D-12	90101-06278	D- 5	90185-16127	C- 5	90215-16127	B-13
4V5-24833-00	D- 2	22W-26243-00	D- 7		D-12	90105-08326	C- 2	90201-04M06	C- 7	90240-06040	D- 9
4V5-24850-00	D- 2	5X2-2628H-01	D- 7	5X9-83328-01	D-12	90109-06757	D- 4	90201-05033	E- 4	90240-10101	D- 9
55U-25104-00	D- 3	5X2-26281-00	D- 7	17W-83330-10	D-12	90109-06774	E- 2	90201-06067	B- 9	90250-06013	B-14
55U-25111-01-98	D- 3	322-26282-00	D- 7	17W-83340-10	D-12	90109-06799	E- 2		C- 5	90267-40073	B- 5
136-25117-00	D- 3	322-26282-00	D- 7	29F-83350-10	E- 3	90109-08032	D- 9	90201-06070	C-14		B- 5
322-25118-00	D- 3	43G-26311-00	D- 7	4U5-83371-10	E- 3	90109-08397	C-13	90201-06571	C- 4		B- 5
55U-25181-00	D- 3	500-26329-01	D- 7	29W-83513-00	D-13	90109-08706	D- 5		C- 4	90267-40075	C- 7
1W2-25190-00	D- 3	43G-26335-00	D- 7	29W-83519-00	D-13	90109-10700	C- 9		D-15	90280-03017	B- 3
4V5-25194-00	D- 3	1E6-26342-00	D- 6	1E6-83524-60	D-13	90109-10702	C- 6	90201-081A6	D- 5	90282-05034	B- 3
55Y-25304-00	D- 5	20E-26343-00	D- 9	437-83525-00	D-13	90109-10703	C- 6	90201-085E6	B- 7	90338-07011	B- 8
55Y-25311-00-98	D- 5	49T-27211-00	D- 9	1M1-83526-00	D-13	90109-10704	C- 8	90201-08544	C-13	90338-09012	E- 2
43G-25321-00-98	D- 5	43G-27231-00	D- 9	4V5-83550-00	D-13	90109-12701	C- 6	90201-08649	B- 2	90340-12095	B- 8
3Y6-2533A-01	D- 6	3R6-27237-00	D- 5	29W-83570-F1	D-13	90116-08318	B- 2	90201-087F0	D- 2	90380-16077	C- 5
39W-25330-00	D- 5	1W2-27239-00	D- 9	4V5-83592-00	D-14	90116-08394	B- 2	90201-08753	C- 2	90380-22111	C- 5
49T-25351-00	D- 5	5X8-27242-00	D- 9	23X-83912-00	E- 2	90116-08409	B- 2		C- 2	90387-061G2	C-10
43G-25355-00	D- 5	43G-27311-00-33	D- 9	55Y-83922-00	E- 2	90119-06042	C- 3	90201-100A1	C- 2	90387-062M3	D-15
148-25359-00	D- 5	23X-27411-01	D- 9	256-83936-00	E- 3	90119-06056	C- 3	90201-100E9	C- 6	90387-06500	D- 7
24X-25367-00	D- 6	23X-27421-02	D- 9	437-83936-00	D-15	90119-06063	C- 3		C- 9	90387-06553	C-14
43G-25381-00	D- 6	26A-28100-00	D- 2		E- 2	90119-06073	C-14	90201-10118	D- 8	90387-06681	C- 3
1M1-25388-01	D- 6	23X-28135-00	D- 2		E- 3	90119-06095	C- 4	90201-10119	D- 9	90387-081A3	B- 7
43G-2539F-00	C- 5	110-81345-21	D-11	503-83956-00	E- 2	90123-08090	D- 7	90201-10430	C- 6	90387-08762	D- 9
43G-2539G-00	C- 5	4F4-81910-60	E- 3	5X9-83972-00	E- 2	90149-06011	C-14		C- 8	90387-121H1	C- 6
39W-25394-00	D- 5	353-81970-63	E- 3	23X-83976-00	E- 2	90149-06153	E- 2	90201-120A5	C- 6	90387-126H8	C- 9
26A-25442-50-33	D- 5	2E9-82110-29	E- 3	34X-83980-01	E- 2	90149-06194	D- 4	90201-120E6	C- 6	90387-127G8	C- 9
26A-25444-50-33	D- 5	29W-82122-01	E- 3	26A-8411H-00	D-14	90159-05011	B-11		C- 9	90387-147G6	C- 6
26A-25446-50-33	D- 5	29W-82123-00	E- 3	26A-84111-01	D-14	90159-06016	C- 6	90201-12593	D-11	90387-147G7	C- 6
55U-25715-00	D- 4	1E6-82131-00	B- 4	462-84114-00	D-14	90159-06042	C- 6	90201-12631	D- 5	90387-15600	D- 3
1TY-25716-00	D- 4	133-82131-00	B- 5	18A-84120-00	D-14	90170-06010	E- 2	90201-14217	B-11	90387-16781	B- 8
1TY-25719-00	D- 4	1E6-82150-00	E- 3	18A-84131-00	D-14	90170-12067	D-11	90201-14222	C- 6	90387-175K4	D- 6
1LN-25810-00	D- 4	1E6-82151-00	E- 3	18A-84132-00	D-14	90170-14171	B-11	90201-15701	B-12	90387-202A0	B-13
55U-25818-00	D- 4	43G-82310-40	E- 3	26A-84140-00	D-14	90170-20213	C- 8	90201-160F6	C- 5	90387-224L9	D- 8
		1M1-82370-21	E- 3								

NUMERICAL INDEX

PART NO.	GRID NO.	PART NO.	GRID NO.	PART NO.	GRID NO.	PART NO.	GRID NO.	PART NO.	GRID NO.	PART NO.	GRID NO.
90401-10034	D- 8	91401-25020	D- 9	92901-06600	C-14	93104-18077	C- 8	94230-21126	D- 3	97301-08016	D- 2
90430-06016	B- 9	91401-25022	D- 5		D- 7	93106-22019	C- 5	94325-18043	D- 5	97301-08030	B- 7
90430-12038	B- 8	91401-40020	B-10		D- 7	93106-25022	D- 5	94330-21084	D- 3	97311-06020	B-15
90445-08172	E- 3	91701-05020	C- 5		D-11	93108-35004	C- 5	94416-21436	D- 3	97321-06012	B- 7
90445-08376	B- 8	91701-08032	D- 9		D-13	93109-20029	C- 5	94418-18437	D- 5		B-12
90445-09252	C-14	91702-12040	B-10		D-15	93210-14104	B- 9	94585-20106	D- 6		D-13
90445-11295	C-14	92501-06008	B- 7	92901-08600	D- 9	93306-00106	B-14	94685-20001	D- 6	97326-06025	D- 8
90445-210A6	B- 4	92501-06012	B- 7	92901-10200	C- 2	93306-20209	D- 3	95301-05600	C-10	97701-40510	D-14
90460-36174	B- 5		C- 6	92902-12600	D- 9	93306-20310	D- 5		D- 4	97780-40120	D-12
90460-43053	B- 7		C-14	92906-05100	E- 2	93306-20316	D- 5	95301-06600	B-11		D-12
90460-49058	B- 4		C-14	92906-06100	C- 4	93306-20562	B- 3		D- 5	97780-40520	D-12
90460-64065	B- 4	92501-06014	B- 9		D- 8	93306-30303	B-12	95301-06700	D- 7		D-12
90462-05005	B- 4		D-11	92906-06600	B- 9	93306-30411	B-12		D- 9	97801-03008	C-14
	E- 3	92501-06020	B- 9		B- 9	93310-316H6	B- 3	95301-08700	D- 9	98501-03008	B- 4
90465-14192	D- 8		C- 4		C- 4		E- 7	95302-06600	D-15	98501-04005	C- 8
90467-10008	C-14	92501-06025	C- 4	92990-03100	B- 4	93310-522M4	B- 3		D-15	98501-04014	D-11
90467-20050	B- 4		C- 4	92990-04200	B- 5		E- 7	95311-06600	C-12	98501-04016	D-11
90468-26048	B-10	92501-06035	D- 7		B- 5	93311-31515	B-12	95311-08600	B- 2	98501-04030	D-11
90480-12053	D-14		D-15		B- 5	93311-41530	B-12		C-13	98501-05010	B- 5
90480-18354	C-14	92501-08010	B- 8	92990-05100	B- 6	93315-21429	B-11	95601-05100	B- 4	98501-05016	B- 6
90480-22263	C- 9	92502-06016	D-15	92990-06100	B- 5	93315-31732	C- 6	95601-06100	E- 2		D- 4
90480-22269	B- 7		E- 3		B- 7	93317-32034	C- 5	95606-06100	E- 2	98501-05020	E- 3
90501-10245	D- 9		E- 3		B- 7	93317-32231	C- 5	95611-08100	D- 5	98501-05025	E- 4
90501-10312	E- 2	92506-06008	B- 9		C- 3	93332-00008	C-10	95611-10100	C- 6	98501-05030	C-10
90501-12081	B-10	92506-06016	C- 4		C- 4	93332-00023	C-10	95702-10500	B-10	98502-04035	D-15
90501-20124	B-11	92506-06025	B- 9		C- 4	93399-99916	C- 8	95702-12100	D-12	98506-04018	C-12
90504-03033	B- 5		B- 9		C- 4		C- 8	95801-06012	D- 2	98506-05016	D- 7
90506-17328	D- 5	92506-06035	B- 9		C- 5	93410-17037	B-10	95801-06016	D- 2	98506-05020	E- 2
90507-20030	B- 7	92701-06012	B-13		C- 6	93410-20038	B-12	95801-06020	C- 5	98506-05022	E- 2
90507-29009	D-10	92901-04100	D-11		C-12	93410-22039	B-12	95801-06025	C- 7	98706-04012	D- 7
90508-14426	B-11		D-11		C-14	93430-09038	D- 9	95801-08012	C- 2		D- 8
90508-20451	D- 9		D-11		C-14	93440-15012	B-10	95802-08012	C- 2	98903-06018	C-14
90508-20583	D- 9	92901-04600	D-14		C-14		B-12		C- 2	99001-10600	B-15
90508-26427	B-10		D-15		D- 2	93440-30113	C- 8	95802-08045	C- 5	99009-30400	B-10
90508-26435	B-14	92901-05100	E- 3		D-13		C- 8	95811-08045	C- 2	99510-10114	B- 2
90508-29361	B-15		E- 4		D-15	93440-45135	C- 8	95811-08095	C- 2	99530-10014	B- 8
90508-32662	D- 9	92901-05600	B- 4		D-15	93503-16010	B-11	95811-10050	C- 2		B- 9
90560-11189	B-15		B- 5		E- 3	93507-32009	B-10	95821-08016	C- 2		
90560-17231	D- 5		C- 5	92990-08100	B- 7	93604-16092	B-11	95821-08035	C-10		
90560-17232	B-11		C-10		C-13	93604-21193	C- 8	95821-08040	C-10		
91316-06012	D- 8		D- 4		D- 2	93604-26132	C- 8	97301-06010	E- 3		
91316-06030	B- 8		E- 3	93101-12060	B-15	93608-25150	B-15	97301-06012	B- 5		
91316-06035	B- 8	92901-06200	B- 9	93102-14308	B-11	93700-06004	C- 6		D- 2		
91316-06045	B- 8		B-11	93102-17263	B-10	93700-06005	C- 6	97301-06016	C- 3		
91316-06050	B- 8		D- 9	93102-20281	D- 3		C- 6		C- 5		
91401-16015	C- 5	92901-06600	B- 4	93102-25331	B- 3	94109-210G1	D- 3		C-14		
91401-20015	D- 9		B- 5	93102-26042	B-12	94112-180G2	D- 5		D- 9		
91401-25015	D- 9		B- 7	93103-32099	B- 3	94211-18176	D- 5	97301-06025	B- 4		

