

# YAMAHA

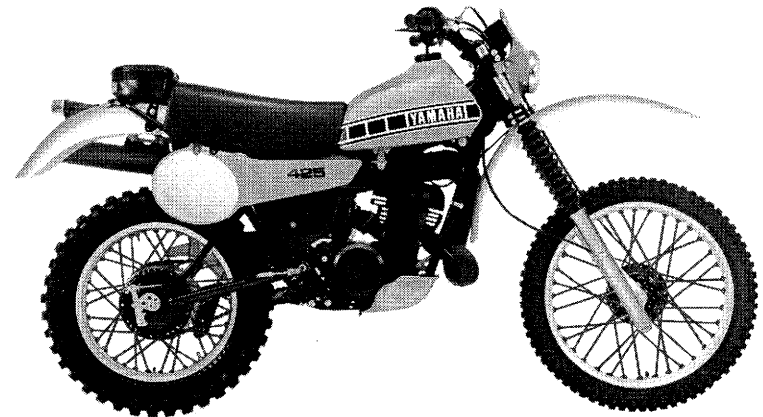
## PARTS CATALOGUE

# IT425G (3R8)

LIT-10013-R8-00

103R8-100E1





NOTICE

ALL PART NUMBERS CONTAINED IN THIS CATALOGUE ARE COMPRISED OF TEN DIGITS. WHEN ORDERING, PLEASE ADD TWO ZEROS TO THE END OF EACH PART NUMBER REQUIRED TO CONVERT THE TEN DIGITS INTO THE NEW TWELVE DIGIT NUMBERS.



# FOREWORD

This Parts Catalogue is related to the parts in use for the Yamaha IT 425G (3R8).  
When you are ordering replacement parts for the IT 425G (3R8), refer to this Parts Catalogue and quote both part numbers and part names correctly.

1. Modifications or additions which have been made after issue of the Parts Catalogue will be announced in the Yamaha Parts News.  
It is advisable that according to the Yamaha Parts News you make necessary corrections to the Parts Catalogue on hand to keep it up-to-date.

## 2. Abbreviations

The following abbreviations are used in this Parts Catalogue.

- U.R. Use size (thickness) and/or number as required.
- U.N. Use as many as you need.
- A.P. Alternate Parts
- L.M. Local Made
- F# Frame No. (Applicable machine No.)

3. The parts marked with (+) in the parts number column of this Catalogue are not supplied with by Yamaha, those have to be found locally.
4. Parts, which are to be supplied in the form of assemblies, are listed with an indentation of one letter's space, and a dot ( . ) is put against the name of each part.

**EXAMPLE** CARBURETOR ASS'Y  
     . JET, pilot  
     . NOZZLE, main

## 5. Indication of No. of constituent parts for assembly

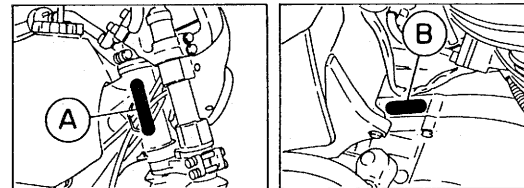
The numeral appearing to the right of each constituent part under the description indicates the quantity of such parts for each individual assembly unit.

**EXAMPLE**

Part No.	Description	Q'ty	Remarks
2F5-83310-60	FRONT FLASHER LIGHT ASS'Y	2	
115-83311-60	. BULB (6V-18W)	1	
1M1-83309-60	. REFLECTOR	1	

## 6. Initial Serial No. and Color Code

(A) Frame Serial No.	3R8-000101 and following
(B) Engine Serial No.	3R8-000101 and following



Color Code	Color Name	Abbreviate

7. Applicable colors of graphics are represented in the "Remarks" column by the letter(s) appropriately picked out of the full word(s) showing such colors.

**EXAMPLE**

Part No.	Description	Q'ty	Remarks
2N4-24110-00-X5	FUEL TANK COMP.	1	MAXIM RED
3J1-24240-10	. GRAPHIC, fuel tank set	1	for MXR

# CONTENTS

## ENGINE

Fig. 1	Cylinder	1
Fig. 2	Crankshaft · Piston	2
Fig. 3	C.D.I Magneto	3
Fig. 4	Intake	4
Fig. 5	Carburetor	5
Fig. 6	Exhaust	7
Fig. 7	Crankcase	8
Fig. 8	Crankcase Cover	9
Fig. 9	Kick Starter	10
Fig. 10	Clutch	11
Fig. 11	Transmission	13
Fig. 12	Shift Cam · Fork	15
Fig. 13	Shift Shaft · Pedal	16

## CHASSIS

Fig. 14	Frame	17
Fig. 15	Front Fender · Rear Fender	18
Fig. 16	Side Cover	19
Fig. 17	Rear Arm	20
Fig. 18	Rear Suspension	22
Fig. 19	Steering	23
Fig. 20	Front Fork	24
Fig. 21	Fuel Tank	26
Fig. 22	Seat	28
Fig. 23	Front Wheel	29
Fig. 24	Rear Wheel	31
Fig. 25	Handlebar · Cable	33
Fig. 26	Stand · Footrest	34
Fig. 27	Meter	36
Fig. 28	Headlight	37
Fig. 29	Taillight	38
Fig. 30	Electrical 1	39

Fig. 31	Handle Switch · Lever	40
---------	-----------------------	----

## ALTERNATE PARTS

Fig. 32	Alternate (Engine) U.S.A. Only	41
Fig. 33	Alternate (Chassis)	42

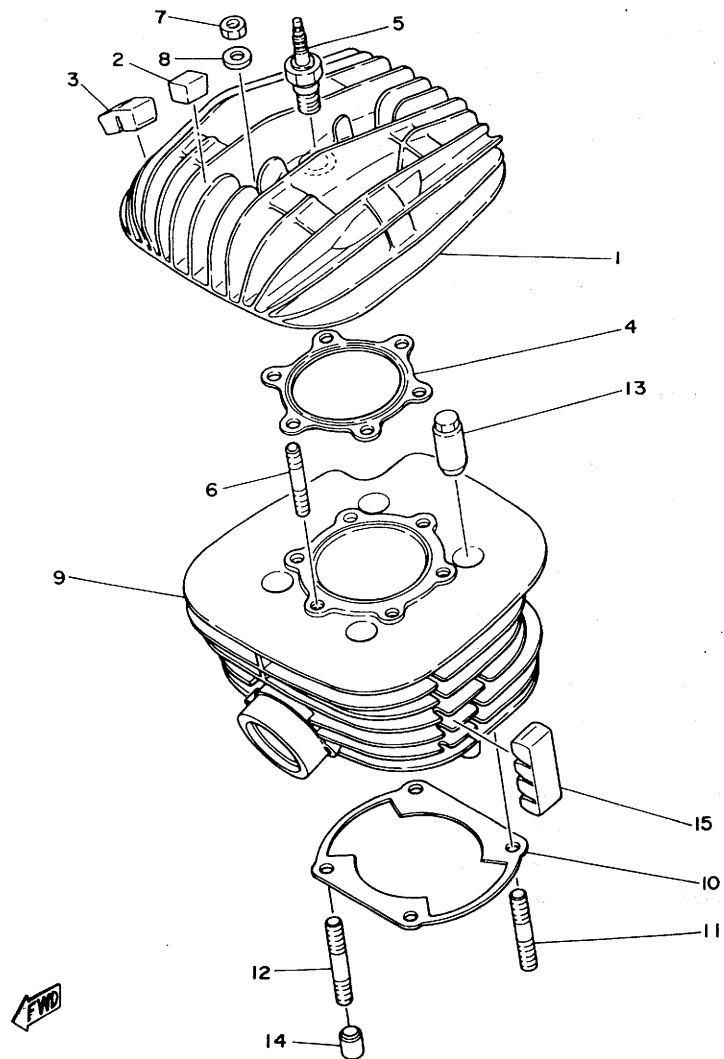
## REPAIR KIT

Fig. 34	Repair Kit	43
---------	------------	----

## INDEX

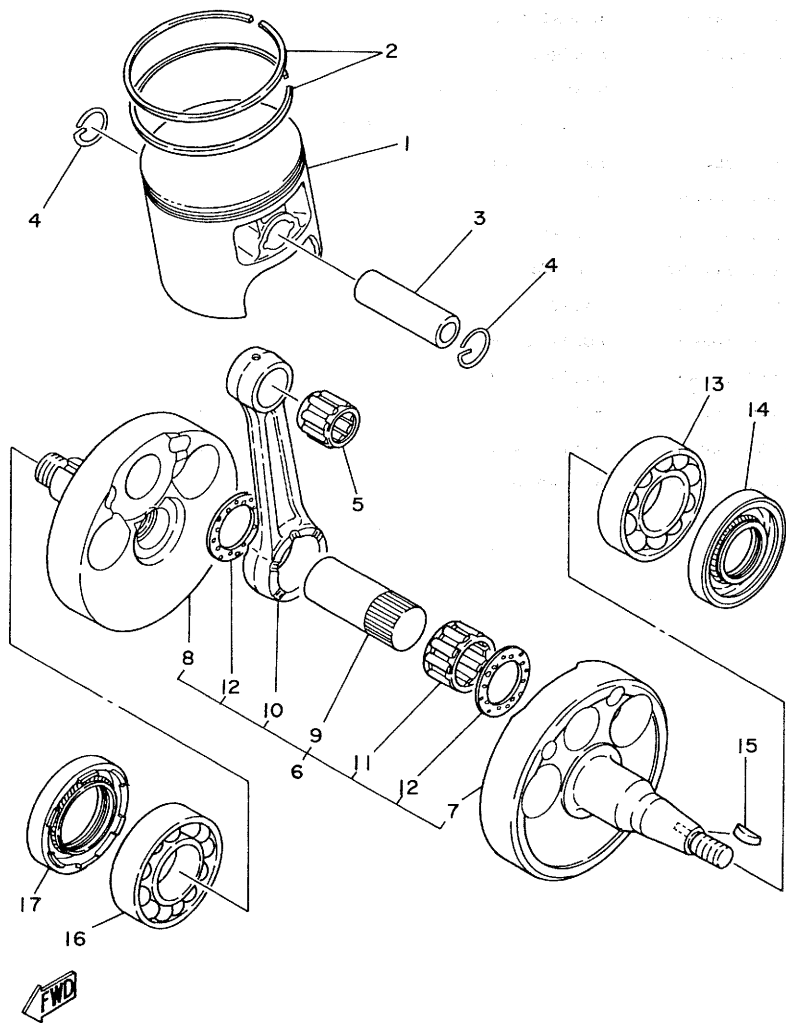
Numerical Index
Parts Name Index

FIG. 1 CYLINDER



REF. NO.	PART NO.	DESCRIPTION	Q'TY	REMARKS
1	3R8-11111-00	HEAD, cylinder 1	1	
2	498-11161-00	ABSORBER 1	2	
3	1W2-11161-00	ABSORBER 1	2	
4	1W4-11181-00	GASKET, cylinder head 1	1	
5	*	PLUG, sPark (CHAMPION N3)	1	LM
6	90116-08262	BLT, stud	6	
7	95301-08600	NUT	6	
8	90201-08100	WASHER, Plate	6	
9	3P8-11311-00	CYLINDER 1	1	
10	2X5-11351-00	GASKET, cylinder	1	
11	90116-10263	BOLT, stud	2	
12	90116-10258	BOLT, stud	2	
13	90179-10201	NUT	4	
14	91830-24016	PIN, dowel	2	
15	2N6-11127-00	ABSORBER 3	2	

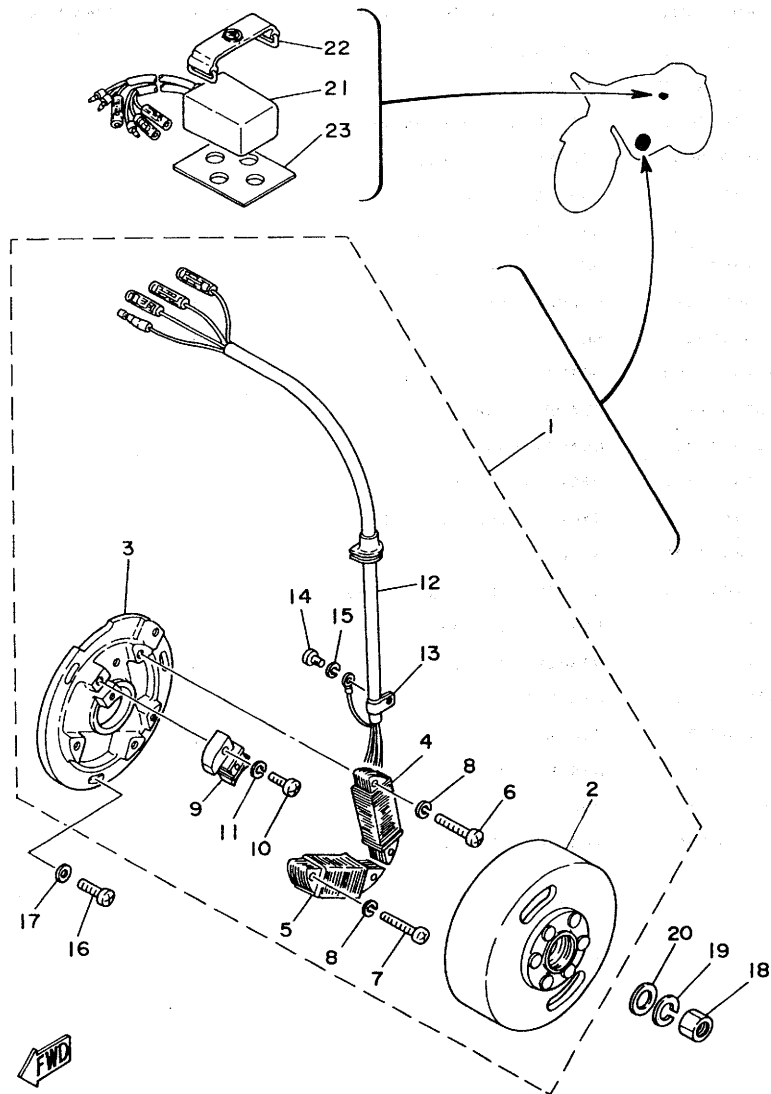
FIG. 2 CRANKSHAFT•PISTON



REF. NO.	PART NO.	DESCRIPTION	Q'TY	REMARKS
1	3R8-11631-00-94	PISTON (STD)	1	UR
	3R8-11631-00-96	PISTON (STD)	1	UR
	3R8-11635-00	PISTON (1ST O/S 0.25MM)	1	AP
	3R8-11636-00	PISTON (2ND O/S 0.50MM)	1	AP
	3R8-11637-00	PISTON (3RD O/S 0.75MM)	1	AP
	3R8-11638-00	PISTON (4TH O/S 1.00MM)	1	AP
2	1W6-11610-00	PISTON RING SET (STD)	1	
	1W6-11610-10	PISTON RING SET (1ST O/S)	1	AP
	1W6-11610-20	PISTON RING SET (2ND O/S)	1	AP
	1W6-11610-30	PISTON RING SET (3RD O/S)	1	AP
	1W6-11610-40	PISTON RING SET (4TH O/S)	1	AP
3	1W4-11633-00	PIN, Piston	1	
4	93450-19052	CIRCLIP	2	
5	93310-418E9	BEARING, cylindrical	1	
6	3R8-11400-00	CRANKSHAFT ASSY	1	
7	3R8-11412-00	•CRANK 1	1	
8	3R8-11422-00	•CRANK 2	1	
9	3R8-11681-00	•PIN, crank 1	1	
10	2X5-11651-10	•ROD, connecting	1	
11	93310-42541	•BEARING, cylindrical	1	
12	90209-25085	•WASHER	2	
13	93306-30615	BEARING (B6306)	1	
14	93103-30092	OIL SEAL	1	
15	90280-05013	KEY, woodruff	1	
16	93306-30615	BEARING (B6306)	1	
17	93103-40091	OIL SEAL	1	

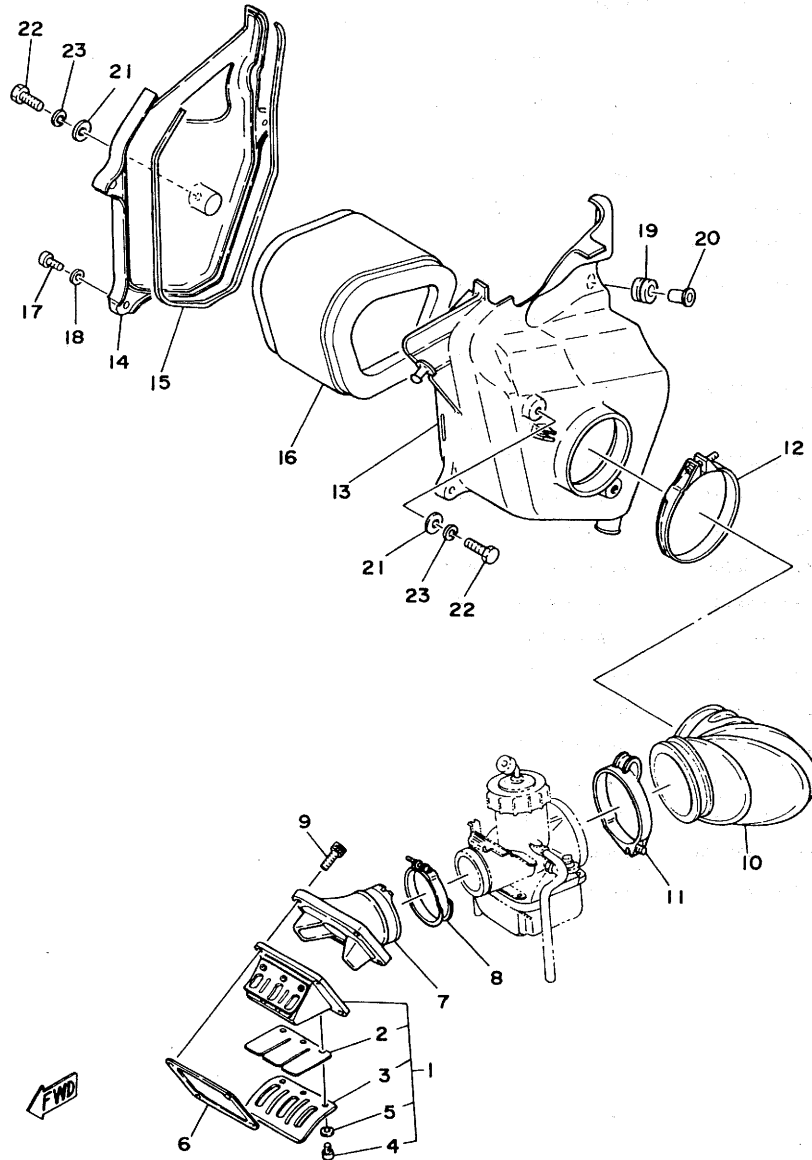


FIG. 3 C.D.I MAGNETO



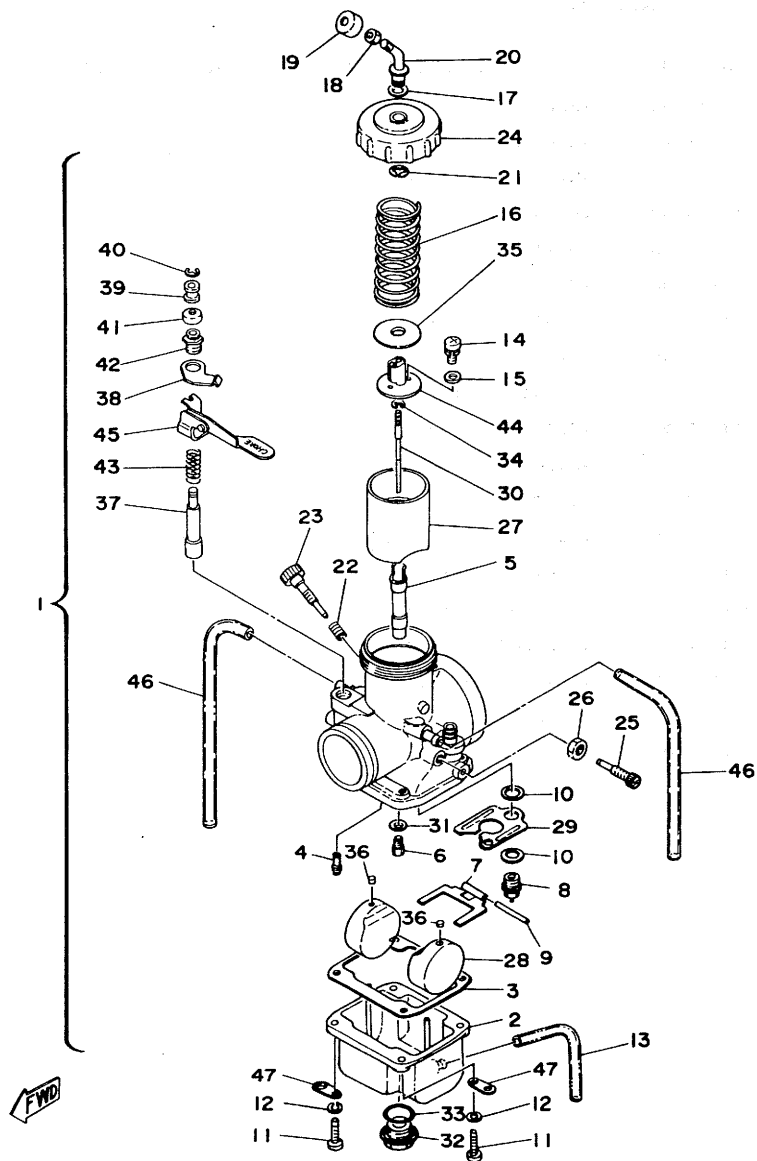
REF. NO.	PART NO.	DESCRIPTION	Q'TY	REMARKS
1	2X8-85500-20	C.D.I. MAGNETO ASSY	1	
2	2X9-85550-20	•ROTOR ASSY	1	
3	1M2-85509-20	•BASE, magneto	1	
4	2X9-85512-20	•COIL, source	1	
5	1W6-85513-20	•COIL, lighting	1	
6	98501-05025	•SCREW, Pan head	2	
7	98501-05018	•SCREW, Pan head	2	
8	92901-05100	•WASHER, spring	4	
9	2X9-85580-20	•COIL, Pulser	1	
10	98501-04018	•SCREW, Pan head	2	
11	92901-04100	•WASHER, spring	2	
12	2X7-85515-20	•LEAD WIRE ASSY	1	
13	104-81328-20	•CLAMP	1	
14	98501-04006	•SCREW, Pan head	1	
15	92901-04100	•WASHER, spring	1	
16	92501-06020	SCREW, Pan head	3	
17	92901-06600	WASHER, Plate	3	
18	90170-12067	NUT	1	
19	92901-12100	WASHER, spring	1	
20	90201-12593	WASHER, Plate	1	
21	2X9-85540-20	C.D.I. UNIT ASSY	1	
22	288-21376-00	BAND, tool	1	
23	2K7-85547-00	DAMPER	1	

FIG. 4 INTAKE



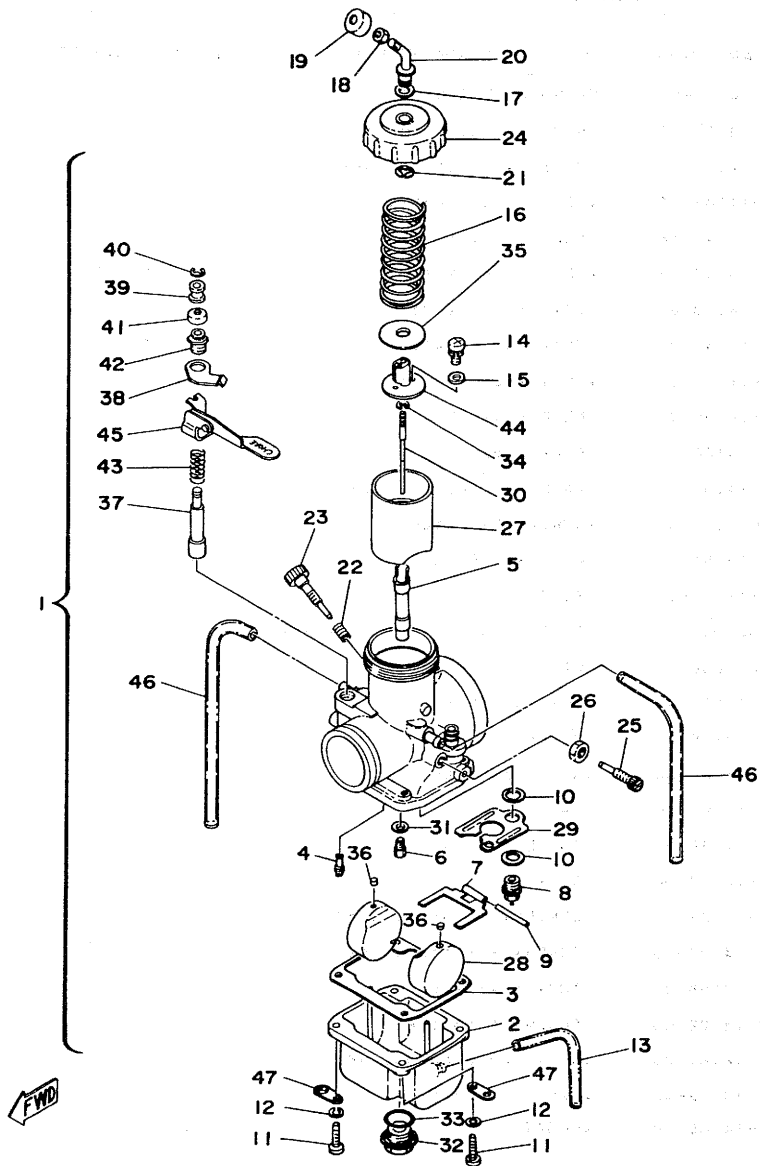
REF. NO.	PART NO.	DESCRIPTION	Q'TY	REMARKS
1	2X5-13610-00	REED VALVE ASSY	1	
2	2K7-13613-00	•REED, valve	2	
3	2X5-13616-00	•STOPPER, reed valve	2	
4	98501-03008	•SCREW, Pan head	6	
5	92901-03100	•WASHER, sPring	6	
6	2K7-13621-00	GASKET, valve seat	1	
7	3R8-13565-00	JOINT, carburetor	1	
8	90460-51109	CLAMP, hose	1	
9	91316-06020	BOLT	4	
10	2X5-14453-00	JOINT, air cleaner 1	1	
11	90460-68120	CLAMP, hose	1	
12	90460-85138	CLAMP, hose	1	
13	2K7-14411-01	CASE, air cleaner 1	1	
14	2K7-14412-00	CAP, cleaner case 1	1	
15	2K7-14452-00	SEAL	1	
16	2K7-14450-00	ELEMENT ASSY, air cleaner	1	
17	92501-06015	SCREW, Pan head	3	
18	92901-06600	WASHER, Plate	3	
19	90480-14102	GROMMET	3	
20	90387-07391	COLLAR	3	
21	90201-06067	WASHER, Plate	3	
22	97301-06025	BOLT	3	
23	92901-06100	WASHER, sPring	3	

FIG. 5 CARBURETOR



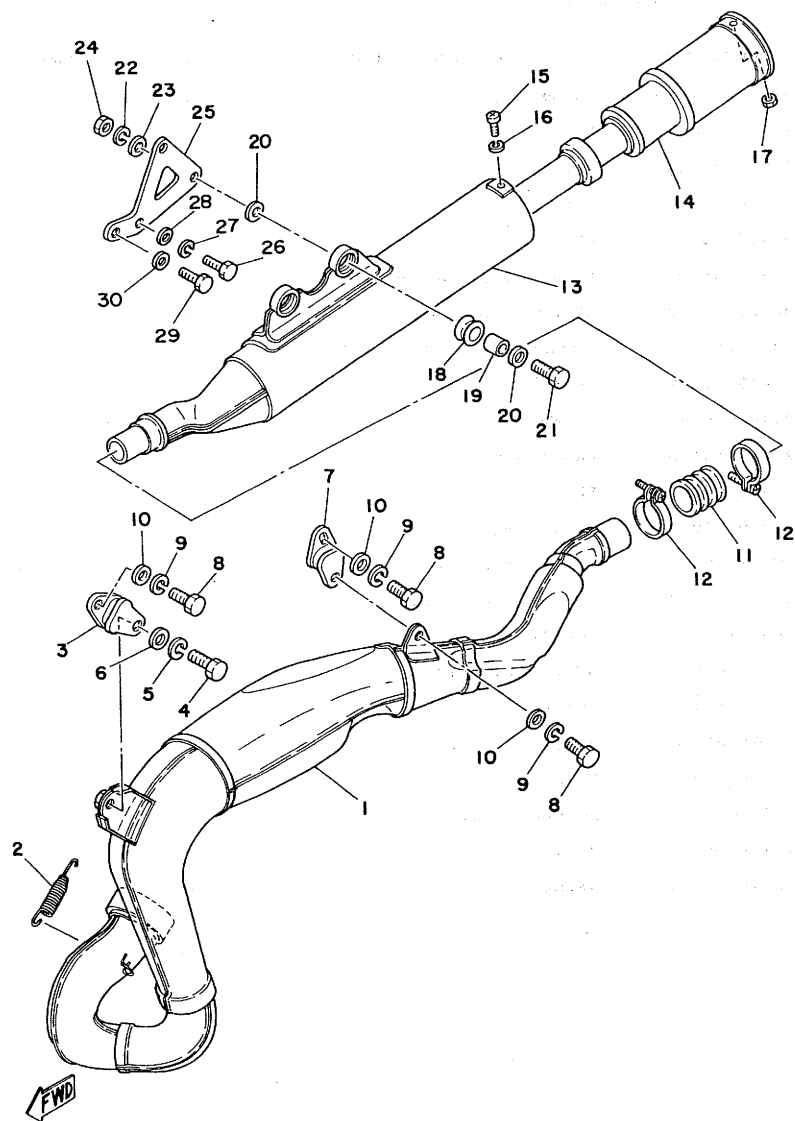
REF. NO.	PART NO.	DESCRIPTION	Q'TY	REMARKS
1	3R8-14101-00	CARBURETOR ASSY 1	1	
2	510-14181-16	•BODY, float chamber 1	1	
3	363-14184-00	•GASKET, float chamber	1	
4	193-14142-60	•JET, Pilot (#60.0)	1	
5	510-14141-48	•NOZZLE, main	1	
6	137-14143-82	•JET, main (#410)	1	UR STD
	137-14143-81	•JET, main (#405)	1	UR
	137-14143-83	•JET, main (#415)	1	UR
7	363-14187-00	•ARM, float	1	
8	363-14190-35	•NEEDLE VALVE ASSY	1	
9	537-14186-00	•PIN, float	1	
10	239-14195-00	•WASHER, needle valve	2	
11	98501-05016	•SCREW, Pan head	4	
12	92901-05100	•WASHER, sPring	4	
13	2K7-14197-00	•PIPE	1	
14	97602-03108	•SCREW, Pan head with washer	2	
15	92902-03600	•WASHER	2	
16	363-14131-00	•SPRING, throttle valve	1	
17	509-14198-00	•GASKET	1	
18	127-14161-00	•NUT, cable adjustin&	1	
19	1M1-14169-00	•CAP	1	
20	509-14155-01	•GUIDE, cable	1	
21	363-14137-00	•CLIP	1	
22	137-14133-00	•SPRING, throttle stoP	1	
23	1W3-14123-00	•SCREW, air adjustin&	1	
24	1W3-14158-00	•TOP, mixin& chamber	1	
25	2A0-14122-00	•SCREW, throttle	1	
26	802-14161-00	•NUT, cable adjustin&	1	
27	2X8-14112-40	•VALVE, throttle 1	1	
28	214-14185-00	•FLOAT	2	

FIG. 5 CARBURETOR



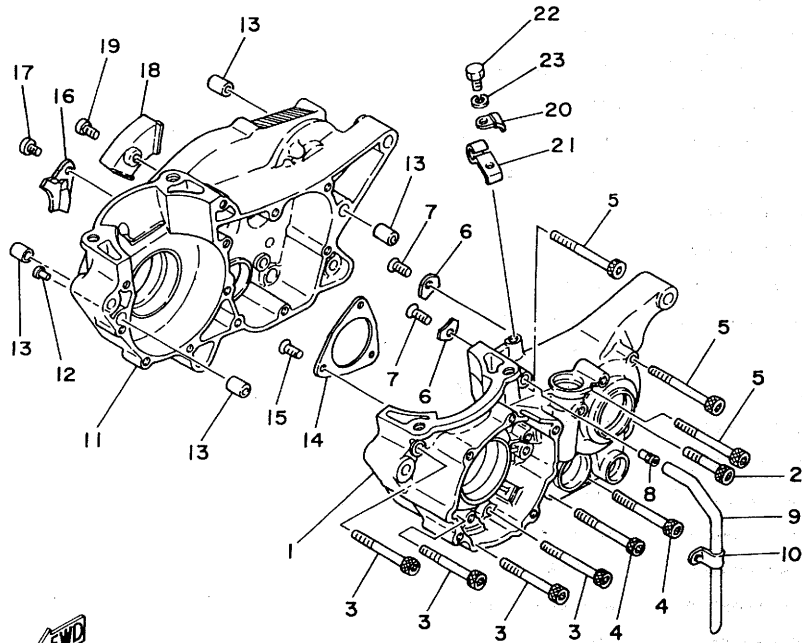
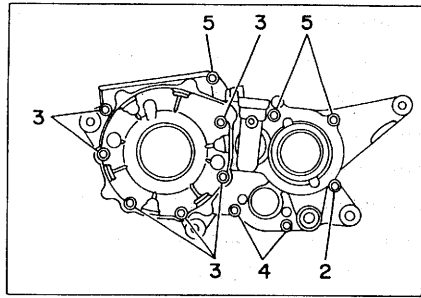
REF. NO.	PART NO.	DESCRIPTION	Q'TY	REMARKS
29	510-14146-00	•PLATE	1	
30	239-14116-16	•NEEDLE	1	
31	2X8-14153-00	•WASHER, main Jet	1	
32	500-14115-00	•PLUG, screw	1	
33	558-14147-00	•O-RING	1	
34	164-14137-00	•CLIP	1	
35	509-14136-00	•SEAT, sPring	1	
36	214-14118-00	•CAP	2	
37	1W1-14171-00	•PLUNGER, starter	1	
38	1W3-14178-00	•PLATE, starter sPring	1	
39	737-14241-00	•BUSH	1	
40	737-14137-00	•CLIP	1	
41	2X7-14173-00	•COVER, PlunGer caP	1	
42	802-14174-00	•CAP, PlunGer	1	
43	256-14135-00	•SPRING, PlunGer	1	
44	509-14274-00	•CONNECTOR	1	
45	1W3-14175-00	•LEVER, starter l	1	
46	310-14197-00	•PIPE	2	
47	313-14146-00	•PLATE	2	

FIG. 6 EXHAUST



REF. NO.	PART NO.	DESCRIPTION	Q'TY	REMARKS
1	2X8-14610-01	EXHAUST PIPE ASSY 1	1	
2	90507-20030	SPRING, tension	2	
3	483-14781-00	STAY 4	1	
4	97301-08020	BOLT	1	
5	92901-08100	WASHER, sPring	1	
6	92901-08600	WASHER, Plate	1	
7	565-14771-00	STAY, muffler 1	1	
8	97301-06016	BOLT	3	
9	92901-06100	WASHER, sPring	3	
10	92901-06600	WASHER, Plate	3	
11	1M1-14714-00	GASKET, muffler	1	
12	90460-43053	CLAMP, hose	2	
13	2X7-14753-00	SILENCER, exhaust	1	
14	2X8-14752-00	PIPE, outlet	1	
15	92501-06012	SCREW, Pan head	2	
16	92901-06100	WASHER, sPring	2	
17	95301-06600	NUT	2	
18	565-14747-00	DAMPER, muffler	2	
19	90387-08258	COLLAR	2	
20	156-24186-00	WASHER, sPecial	4	
21	97301-08035	BOLT	2	
22	92901-08100	WASHER, sPring	2	
23	92901-08200	WASHER, Plain	2	
24	95301-08700	NUT	2	
25	1W6-14781-00	STAY 4	1	
26	97301-08016	BOLT	1	
27	92901-08100	WASHER, sPring	1	
28	92901-08600	WASHER, Plate	1	
29	90109-08512	BOLT	1	
30	92901-08200	WASHER, Plain	1	

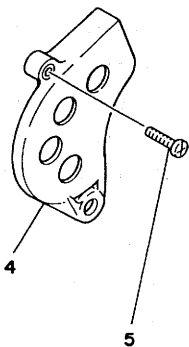
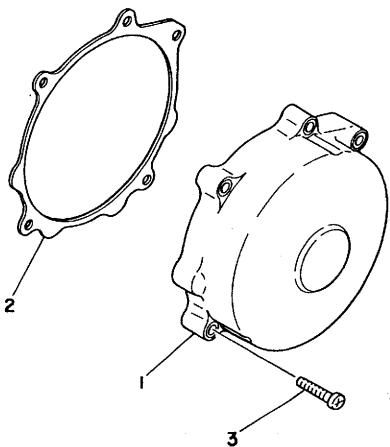
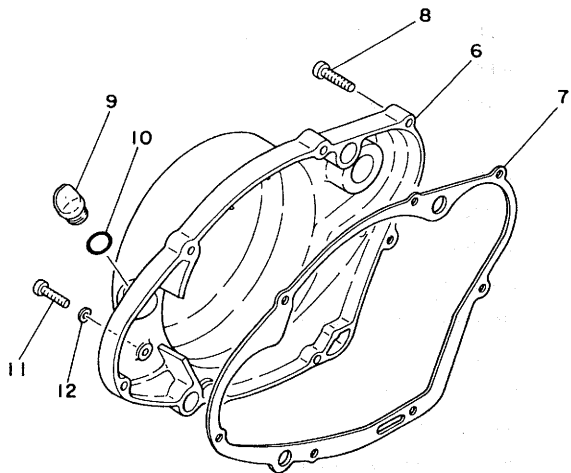
FIG. 7 CRANKCASE



REF. NO.	PART NO.	DESCRIPTION	Q'TY	REMARKS
1	2X5-15111-00	CRANKCASE 1	1	
2	91316-06045	BOLT	1	
3	91316-06065	BOLT	6	
4	91316-06070	BOLT	2	
5	91316-06075	BOLT	3	
6	2K7-15383-00	PLATE, bearing cover	2	
7	92701-06012	SCREW, flat head	2	
8	137-13115-00	CONNECTOR, suction Pipe	1	
9	90445-08376	HOSE	1	
10	90462-08043	CLAMP	1	
11	2X5-15121-00	CRANKCASE 2	1	
12	90338-07011	PLUG	1	
13	91810-05016	PIN, dowel	4	
14	1W4-15383-00	PLATE, bearing cover	1	
15	92701-06012	SCREW, flat head	3	
16	2X5-15118-00	HOLDER	1	
17	92501-08010	SCREW, Pan head	1	
18	2K7-15113-00	PLATE	1	
19	92501-06010	SCREW, Pan head	1	
20	90462-08042	CLAMP	1	
21	2K7-15441-02	HOLDER, clutch cable	1	
22	97301-06014	BOLT	1	
23	92901-06100	WASHER, sPring	1	

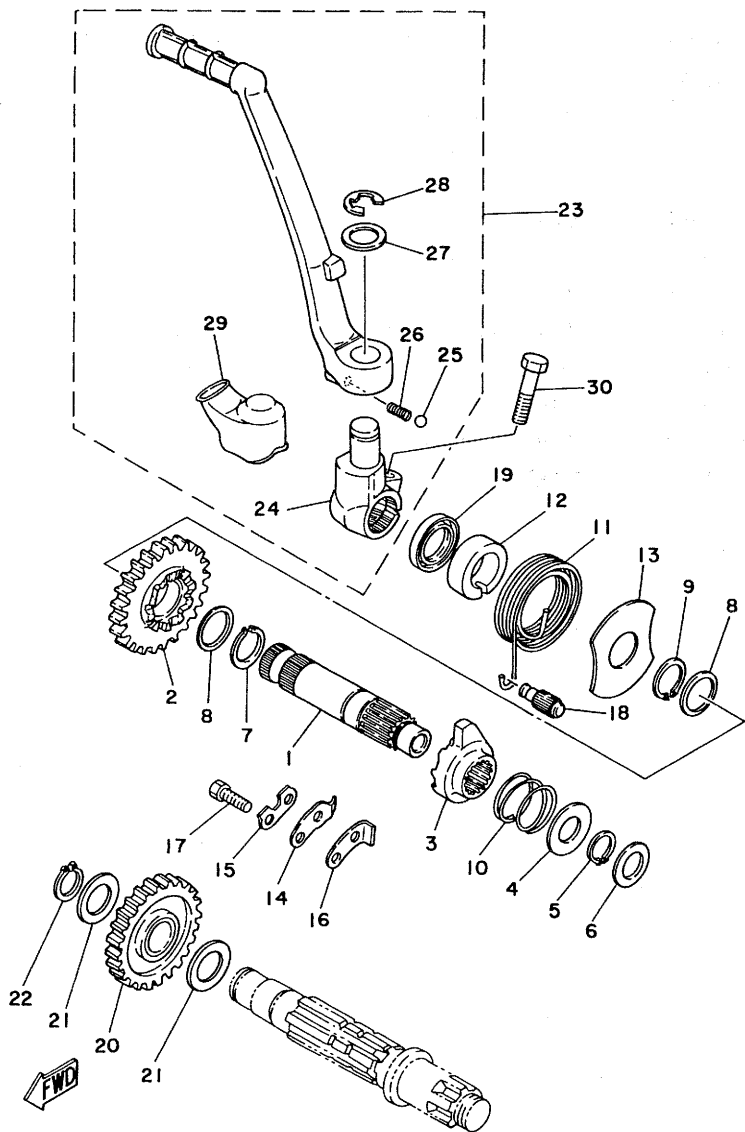
FIG. 8 CRANKCASE COVER

REF. NO.	PART NO.	DESCRIPTION	Q'TY	REMARKS
1	2X7-15411-00	COVER, crankcase 1	1	
2	2X7-15451-00	GASKET, crankcase cover	1	
3	92506-06030	SCREW, Pan head	5	
4	2K7-15421-00	COVER, crankcase 2	1	
5	92506-06025	SCREW, Pan head	1	
6	2K7-15431-01	COVER, crankcase 3	1	
7	2K7-15462-00	GASKET, crankcase cover 3	1	
8	92506-06025	SCREW, Pan head	7	
9	1G8-15362-00	PLUG, oil level	1	
10	93210-14104	D-RING	1	
11	92506-06008	SCREW, Pan head	1	
12	90430-06016	GASKET	1	



← FWD

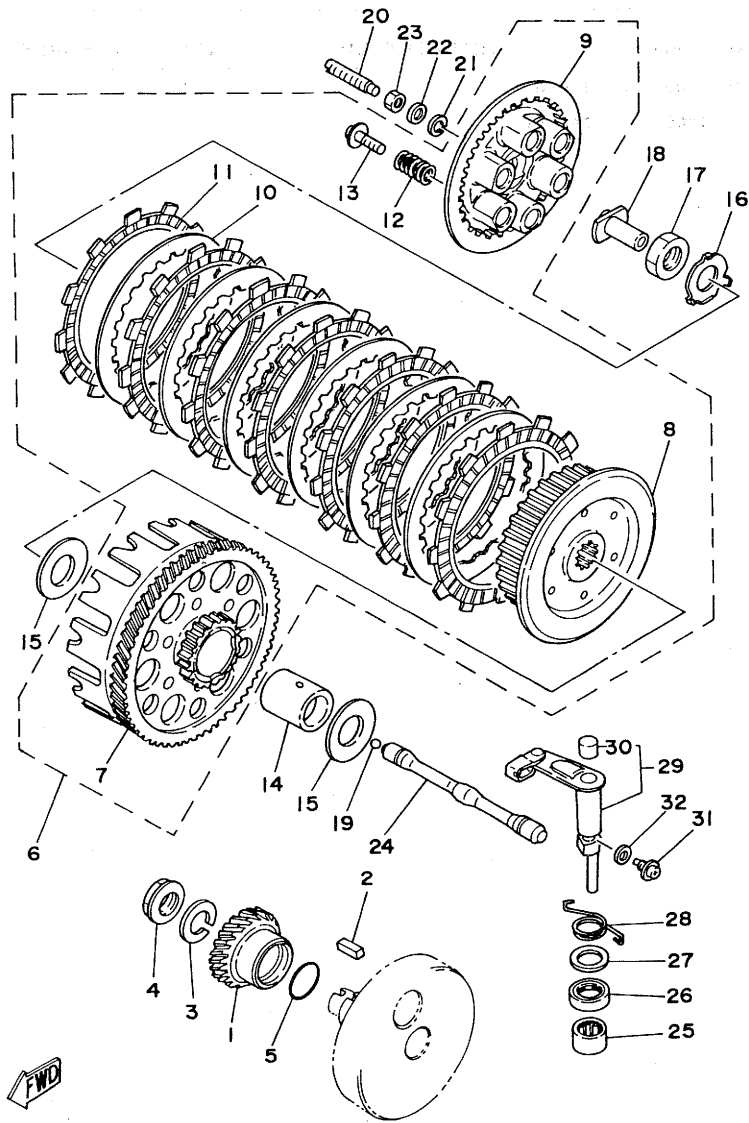
FIG. 9 KICK STARTER



REF. NO.	PART NO.	DESCRIPTION	Q'TY	REMARKS
1	2K7-15661-01	AXLE, kick	1	
2	2K7-15641-01	GEAR, kick (24T)	1	
3	2K7-15671-01	WHEEL, ratchet	1	
4	168-15676-00	COVER, sPrinG	1	
5	93410-15005	CIRCLIP	1	
6	132-15644-00	SHIM	1	
7	93410-20038	CIRCLIP	1	
8	90201-20685	WASHER, Plate	2	
9	93410-20009	CIRCLIP	1	
10	90501-16107	SPRING, comPrinG	1	
11	90508-32061	SPRING, torsion	1	
12	2K7-15664-00	GUIDE, sPrinG	1	
13	2K7-15676-00	COVER, sPrinG	1	
14	214-15674-00	GUIDE, ratchet wheel	1	
15	214-15686-00	WASHER, lock	1	
16	2K7-15668-00	STOPPER	1	
17	97310-06016	BOLT	2	
18	248-15668-00	STOPPER	1	
19	93109-20014	OIL SEAL	1	
20	2K7-15651-00	GEAR, kick idle (22T)	1	
21	90201-17545	WASHER, Plate	2	
22	93410-17008	CIRCLIP	1	
23	2K7-15620-00-33	KICK CRANK ASSY	1	yamaha black
24	2K7-15621-00	•BOSS, kick crank	1	
25	93507-32009	•BALL	1	
26	90501-12081	•SPRING, comPrinG	1	
27	90201-15234	•WASHER, Plate	1	
28	93430-10016	•CIRCLIP	1	
29	2K7-15618-00	•COVER, kick lever	1	
30	97311-08030	BOLT	1	

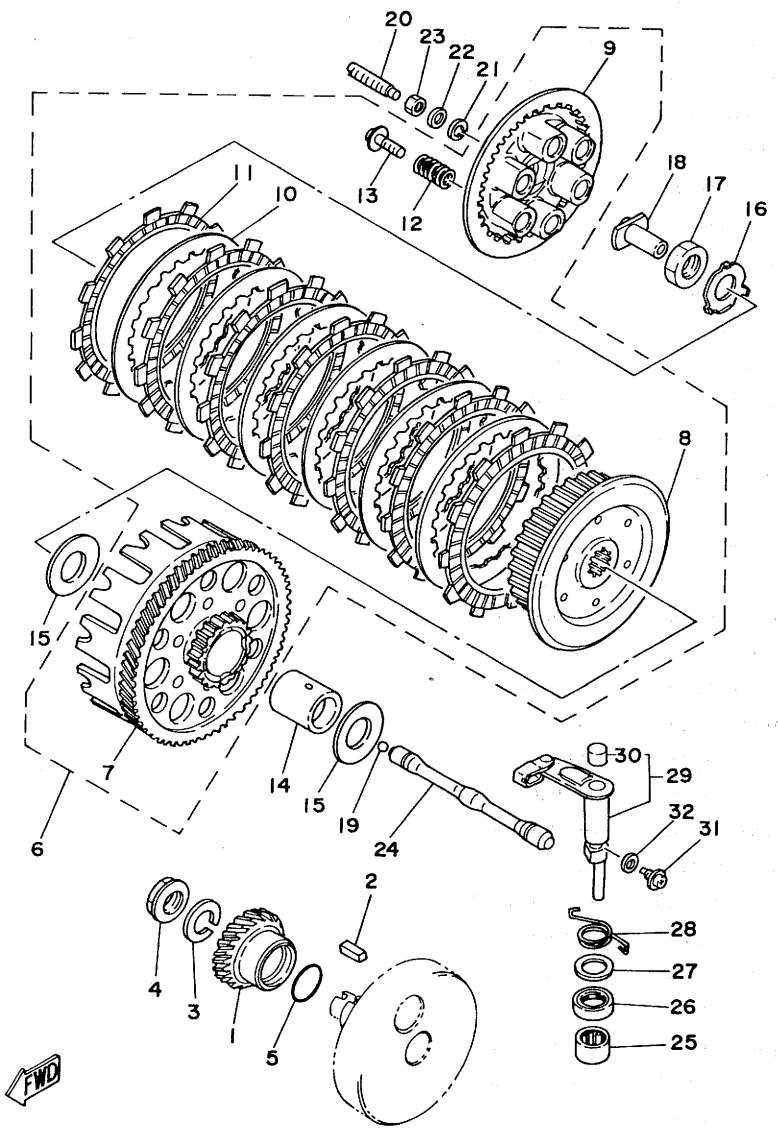


FIG. 10 CLUTCH



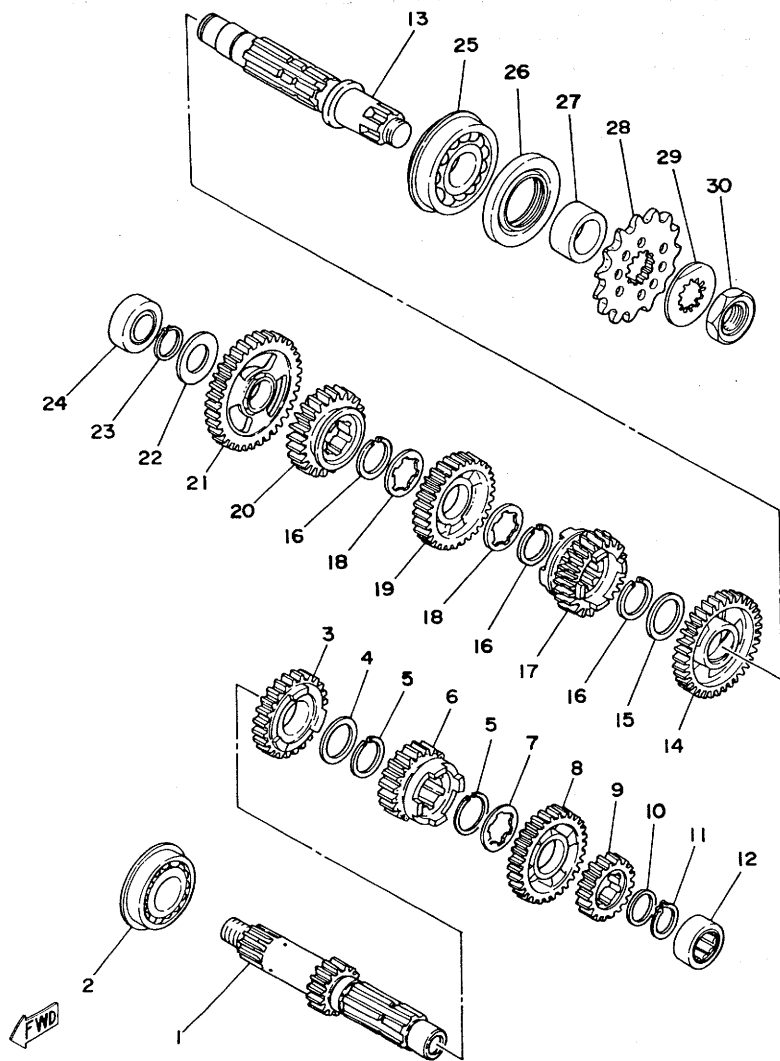
REF. NO.	PART NO.	DESCRIPTION	Q'TY	REMARKS
1	2X5-16111-00	GEAR, Primary drive (23T)	1	
2	90282-07019	KEY, straight	1	
3	92901-18100	WASHER, sPring	1	
4	90179-18172	NUT	1	
5	93210-29282	O-RING	1	
6	2X5-16300-00	CLUTCH ASSY	1	
7	2K7-16150-00	•PRIMARY DRIVEN GEAR COMP.(60T)	1	
8	2X5-16371-00	•BOSS, clutch	1	
9	1M1-16351-00	•PLATE, Pressure 1	1	
10	360-16325-00	•PLATE, clutch 2	6	
11	383-16321-00	•PLATE, friction	7	
12	90501-24408	•SPRING, comPression	6	
13	90159-06016	•SCREW, with washer	6	
14	2K7-16181-00	SPACER 1	1	
15	2K7-16154-00	PLATE, thrust 1	2	
16	90215-20125	WASHER, lock	1	
17	90170-20195	NUT	1	
18	1M1-16356-00	ROD, Push 1	1	
19	93515-32029	BALL	1	
20	90149-08105	SCREW	1	
21	92901-08100	WASHER, sPring	1	
22	90201-08092	WASHER, Plate	1	
23	95311-08700	NUT	1	
24	1W4-16357-00	ROD, Push 2	1	
25	93315-21721	BEARING, cylindrical	1	
26	93102-17004	OIL SEAL	1	
27	90201-17327	WASHER, Plate	1	
28	90508-14373	SPRING, torsion	1	
29	2X4-16380-00	PUSH LEVER ASSY	1	
30	214-17481-00	•PLUG, blind	1	

FIG. 10 CLUTCH



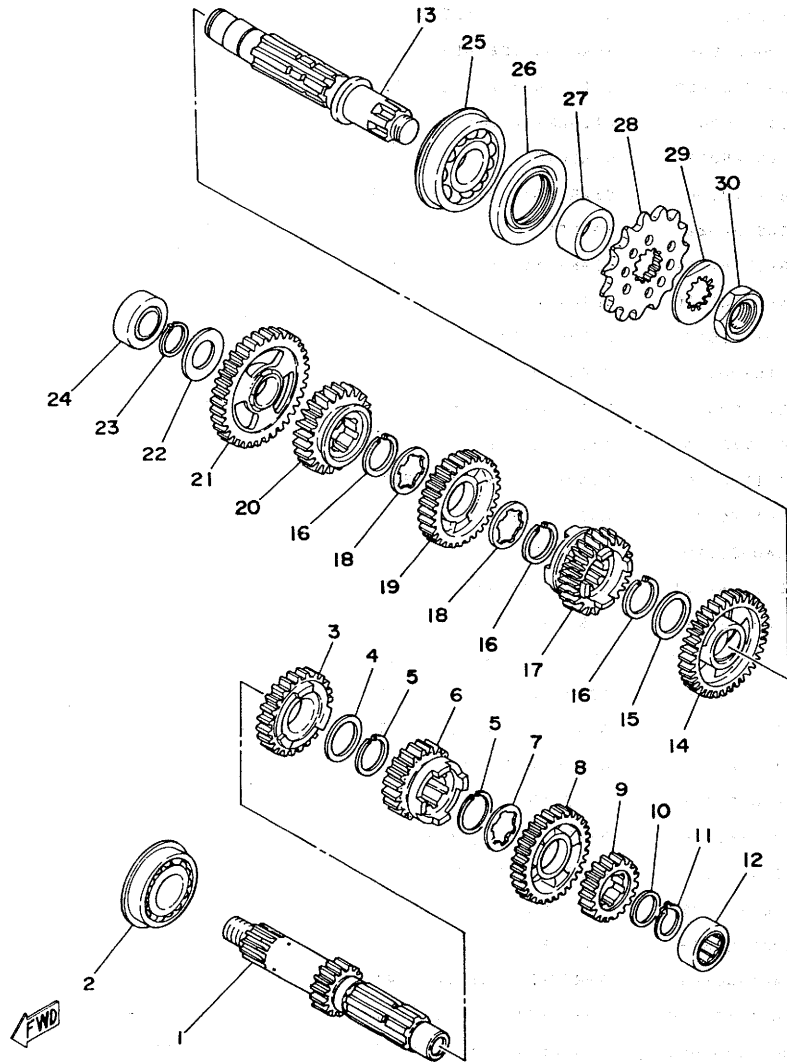
REF. NO.	PART NO.	DESCRIPTION	Q'TY	REMARKS
31	90149-08108	SCREW	1	
32	90430-08069	GASKET	1	

FIG. 11 TRANSMISSION



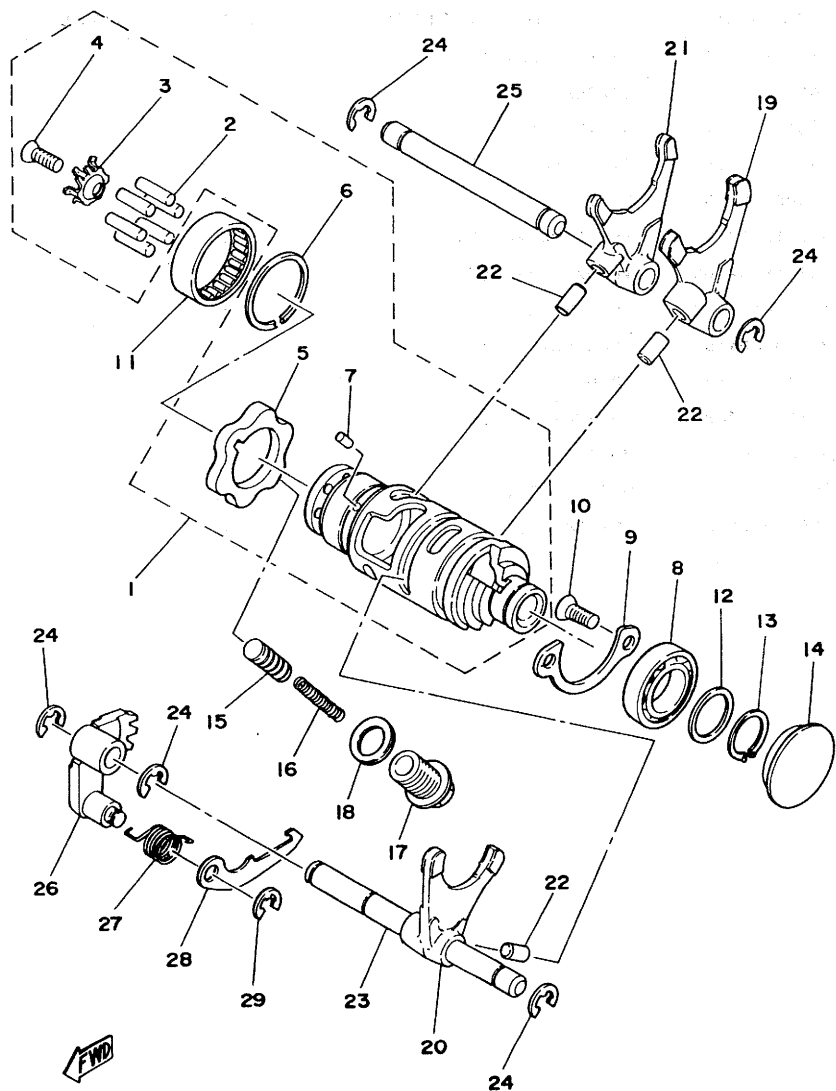
REF. NO.	PART NO.	DESCRIPTION	Q'TY	REMARKS
1	2X8-17411-00	AXLE, main (12T)	1	
2	93306-20535	BEARING (B6205)	1	
3	2X8-17141-00	GEAR, 4th Pinion (22T)	1	
4	90201-25287	WASHER, Plate	1	
5	93440-25019	CIRCLIP	2	
6	3R8-17131-00	GEAR, 3rd Pinion (19T)	1	
7	90209-22082	WASHER	1	
8	2X8-17151-01	GEAR, 5th Pinion (28T)	1	
9	2X5-17121-00	GEAR, 2nd Pinion (16T)	1	
10	90201-20613	WASHER, Plate	1	
11	93410-20038	CIRCLIP	1	
12	93311-62035	BEARING, cylindrical	1	
13	2X5-17421-00	AXLE, drive	1	
14	2X5-17221-00	GEAR, 2nd wheel (28T)	1	
15	90201-25287	WASHER, Plate	1	
16	93440-25019	CIRCLIP	3	
17	2X8-17251-01	GEAR, 5th wheel (22T)	1	
18	90209-22082	WASHER	2	
19	2X5-17231-00	GEAR, 3rd wheel (25T)	1	
20	2X8-17241-00	GEAR, 4th wheel (22T)	1	
21	2X8-17211-00	GEAR, 1st wheel (32T)	1	
22	90201-20278	WASHER, Plate	1	
23	93410-20038	CIRCLIP	1	
24	93311-62035	BEARING, cylindrical	1	
25	93304-20501	BEARING (B4205)	1	
26	93102-32136	OIL SEAL	1	
27	90387-25663	COLLAR	1	
28	1W4-17461-40	SPROCKET, drive (14T)	1	UR STD
	1W4-17461-30	SPROCKET, drive (13T)	1	UR AP
	1W4-17461-50	SPROCKET, drive (15T)	1	UR AP

FIG. 11 TRANSMISSION



REF. NO.	PART NO.	DESCRIPTION	Q'TY	REMARKS
29	90215-21121	WASHER, lock	1	
30	90179-20255	NUT	1	

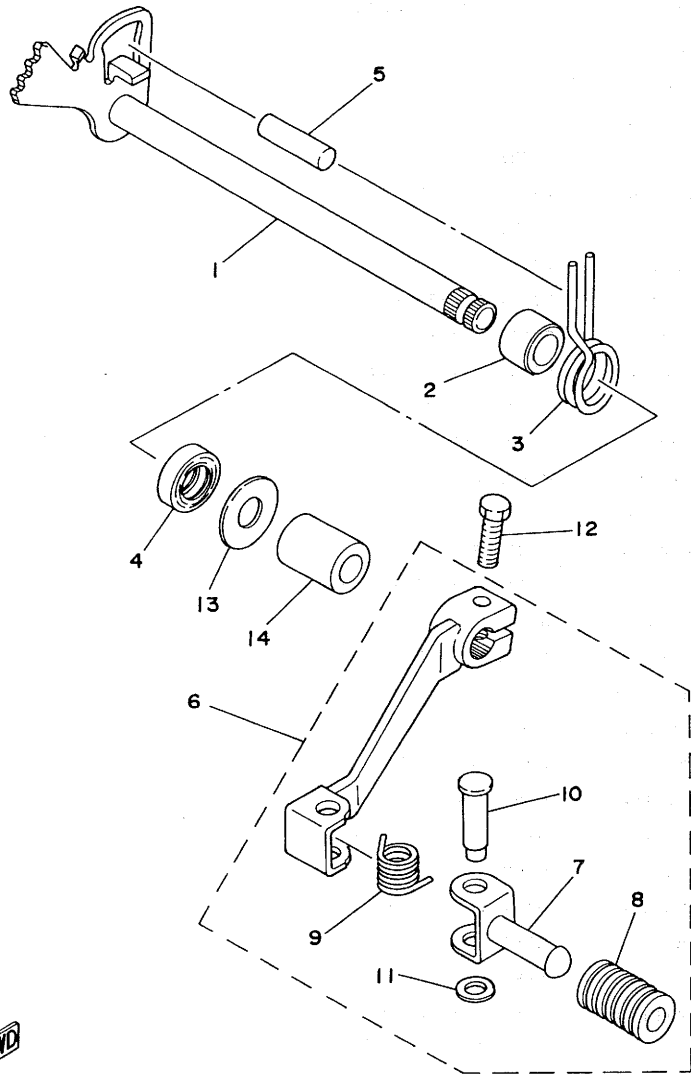
FIG. 12 SHIFT CAM·FORK



REF. NO.	PART NO.	DESCRIPTION	Q'TY	REMARKS
1	2X5-18540-00	SHIFT CAM ASSY	1	
2	93604-18100	•PIN, dowel	6	
3	2K9-18561-00	•PLATE, side 1	1	
4	98701-05012	•SCREW, flat head	1	
5	2K7-18141-00	•PLATE, stopPer	1	
6	93440-32017	•CIRCLIP	1	
7	93604-08071	•PIN, dowel	1	
8	93306-90401	BEARING (B6904)	1	
9	2K7-15381-00	PLATE, bearing cover	1	
10	92701-06012	SCREW, flat head	2	
11	93315-23208	BEARING, cylindrical	1	
12	90201-20613	WASHER, Plate	1	
13	93410-19015	CIRCLIP	1	
14	90338-32086	PLUG	1	
15	353-18547-00	STOPPER, cam	1	
16	90501-10062	SPRING, compression	1	
17	90109-14485	BOLT	1	
18	214-11198-01	GASKET	1	
19	2X5-18511-00	FDRK, shift 1	1	
20	3R8-18512-00	FORK, shift 2	1	
21	2X5-18513-00	FDRK, shift 3	1	
22	93606-14154	PIN, dowel	3	
23	2K7-18531-00	BAR, shift fork guide 1	1	
24	93430-08006	CIRCLIP	5	
25	2K7-18535-01	BAR, shift fork guide 2	1	
26	2K7-18122-01	LEVER, shift 2	1	
27	90508-10386	SPRING, torsion	1	
28	2K7-18151-00	LEVER, shift 3	1	
29	93430-07012	CIRCLIP	1	

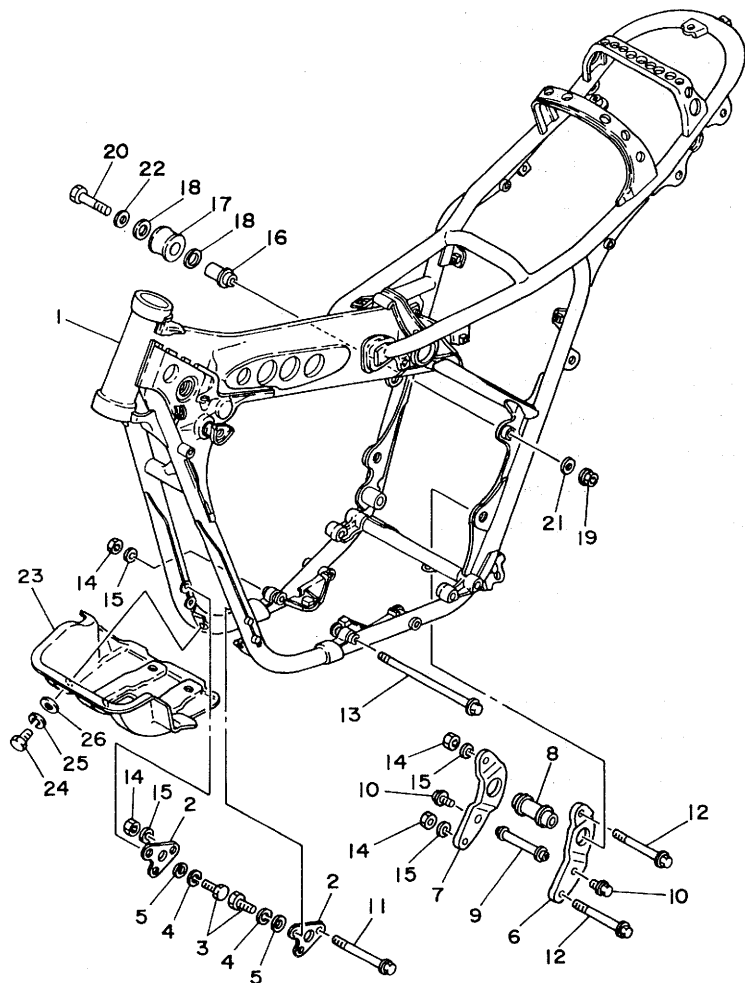
FIG. 13 SHIFT SHAFT•PEDAL

REF. NO.	PART NO.	DESCRIPTION	Q'TY	REMARKS
1	2K7-18101-00	SHIFT SHAFT ASSY	1	
2	90560-12171	SPACER	1	
3	90508-32374	SPRING, torsion	1	
4	93101-12004	OIL SEAL	1	
5	93608-30128	PIN, dowel	1	
6	3R8-18110-00	SHIFT PEDAL ASSY	1	
7	3R8-18162-00	•PEDAL, shift	1	
8	1W6-18113-00	•COVER, shift Pedal	1	
9	90508-20415	•SPRING, torsion	1	
10	90243-08017	•PIN	1	
11	90201-06042	•WASHER, Plate	1	
12	97321-06020	BOLT	1	
13	90201-12588	WASHER, Plate	1	
14	90560-12179	SPACER	1	



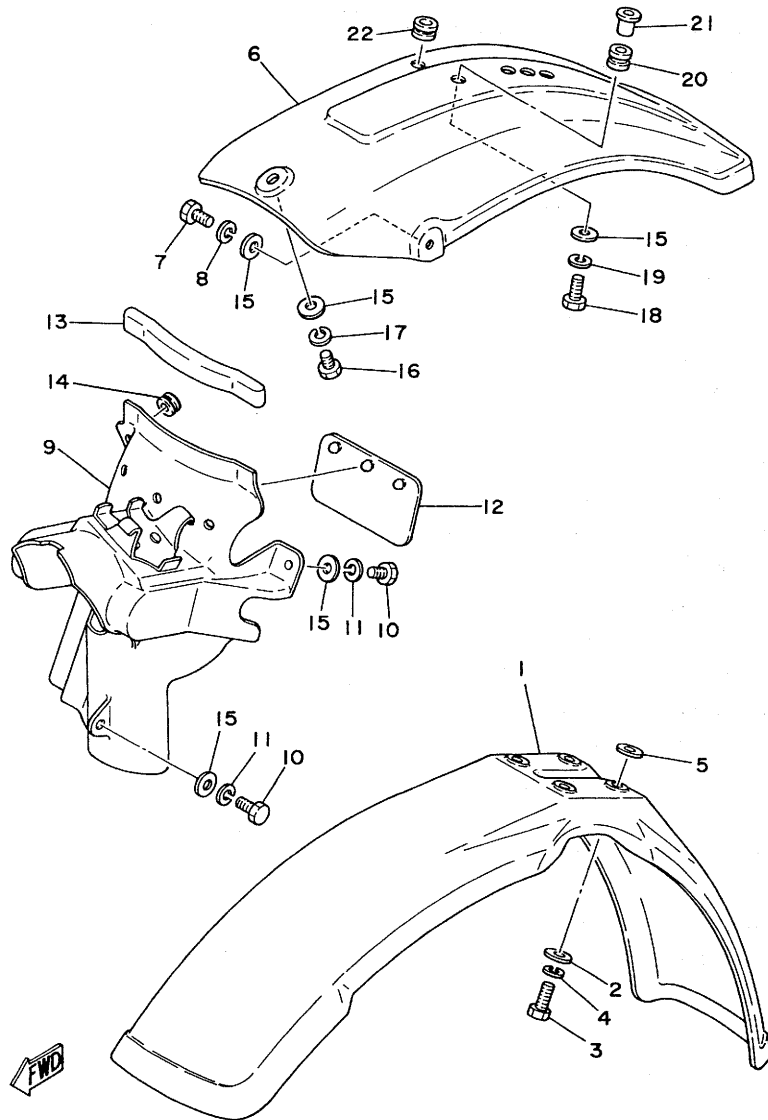
← FWD

FIG. 14 FRAME



REF. NO.	PART NO.	DESCRIPTION	Q'TY	REMARKS
1	3R8-21110-00-33	FRAME COMP	1	yamaha black
2	2X4-21415-00	BRACKET, front upper 1	2	
3	97301-08025	BOLT	4	
4	92901-08100	WASHER, sPring	4	
5	92901-08600	WASHER, Plate	4	
6	2K7-21427-00	BRACKET, rear lower 1	1	
7	2K7-21428-00	BRACKET, rear lower 2	1	
8	2K7-21459-00	SPACER	1	
9	2K7-21424-00	BOSS, engine mount	1	
10	95801-08016	BOLT, flange	2	
11	95811-08100	BOLT, flange	1	
12	95811-08090	BOLT, flange	2	
13	95811-08180	BOLT, flange	1	
14	90185-08054	NUT, self-locking	4	
15	92901-08200	WASHER, Plain	4	
16	2K7-2148A-00	SHAFT	1	
17	2K6-22178-00	TENSIONER	1	
18	90201-13202	WASHER, Plate	2	
19	95702-08300	NUT, flange	1	
20	97301-08055	BOLT	1	
21	92901-08600	WASHER, Plate	1	
22	92901-08200	WASHER, Plain	1	
23	2X7-21471-00	PROTECTOR, engine	1	
24	97301-08016	BOLT	4	
25	92901-08100	WASHER, sPring	4	
26	92901-08600	WASHER, Plate	4	

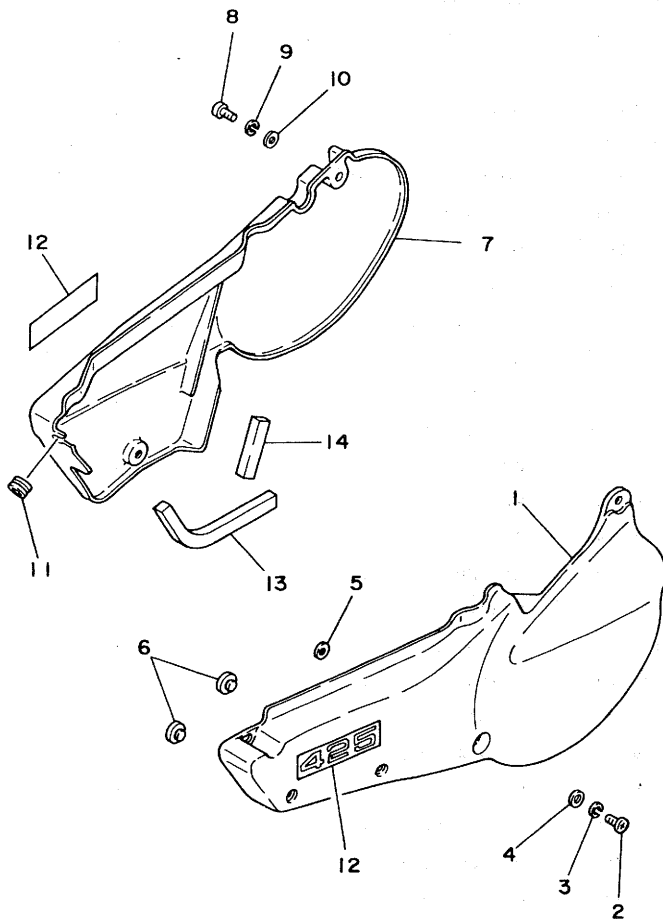
FIG. 15 FRONT FENDER•REAR FENDER



REF. NO.	PART NO.	DESCRIPTION	Q'TY	REMARKS
1	3R8-21511-00	FENDER, front	1	sky blue
2	90201-06067	WASHER, Plate	4	
3	97302-06020	BOLT	4	
4	92901-06100	WASHER, sPring	4	
5	90209-06187	WASHER	4	
6	1W2-21611-00	FENDER, rear	1	sky blue
7	97301-06014	BOLT	2	
8	92901-06100	WASHER, sPring	2	
9	2K7-21620-00	MUD GUARD COMP.	1	
10	97301-06014	BOLT	3	
11	92901-06100	WASHER, sPring	3	
12	1M1-21621-00	FLAP	1	
13	565-21746-00	SEAL, mud Guard	1	
14	90480-13018	GROMMET	1	
15	90201-06067	WASHER, Plate	7	
16	97301-06014	BOLT	1	
17	92901-06100	WASHER, sPring	1	
18	97301-06025	BOLT	1	
19	92901-06100	WASHER, sPring	1	
20	90480-14198	GROMMET	1	
21	90387-06388	COLLAR	1	
22	90480-15058	GROMMET	1	



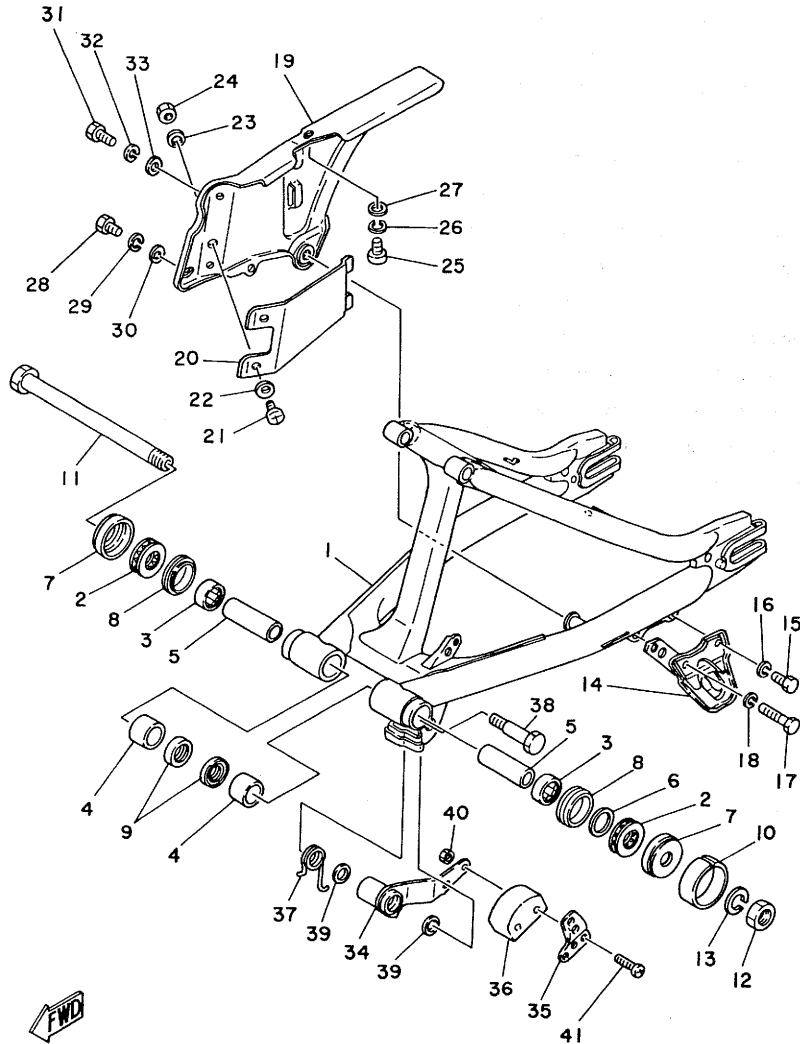
FIG. 16 SIDE COVER



REF. NO.	PART NO.	DESCRIPTION	Q'TY	REMARKS
1	3R8-21711-00-26	COVER, side (L.H)	1	comPetition ye- llow/sky blue
2	92501-06015	SCREW, Pan head	3	
3	92901-06100	WASHER, sPring	3	
4	90201-06571	WASHER, Plate	3	
5	92901-08200	WASHER, Plain	1	
6	431-24181-00	DAMPER, locatinE 1	3	
7	3R8-21721-00-26	COVER, side (R.H)	1	comPetition ye- llow/sky blue
8	92501-06015	SCREW, Pan head	2	
9	92901-06100	WASHER, sPring	2	
10	90201-06571	WASHER, Plate	2	
11	90480-12053	GROMMET	1	
12	3R8-21786-00	EMBLEM 6	2	
13	3R8-21746-00	DAMPER	1	
14	3R8-21747-00	DAMPER	1	

FWD

FIG. 17 REAR ARM



REF. NO.	PART NO.	DESCRIPTION	Q'TY	REMARKS
1	2X7-22110-01-33	REAR ARM COMP.	1	yamaha black
2	93342-22208	BEARING	2	
3	93317-22214	BEARING, cylindrical	2	
4	90386-22097	BUSH	2	
5	90380-16056	BUSH, solid	2	
6	648-45533-00-03	SHIM (0.3T)	1	UN
7	3R4-22129-00	COVER, thrust 2	2	
8	93108-35004	OIL SEAL	2	
9	93109-22018	OIL SEAL	2	
10	2W6-22151-00	SEAL, Guard	1	
11	1W4-22141-00	SHAFT, Pivot	1	
12	90170-16111	NUT	1	
13	92901-16100	WASHER, sPring	1	
14	2W6-22153-00	GUARD, chain	1	
15	97311-06012	BOLT	1	
16	92901-06100	WASHER, sPring	1	
17	97301-06055	BOLT	1	
18	92901-06100	WASHER, sPring	1	
19	2X7-22311-00	CASE, chain	1	
20	1W6-22318-00	GUARD, chain	1	
21	98501-05010	SCREW, Pan head	2	
22	92901-05600	WASHER, Plate	2	
23	92901-05200	WASHER, Plain	2	
24	95601-05100	NUT, u	2	
25	92501-06014	SCREW, Pan head	1	
26	92901-06100	WASHER, sPring	1	
27	92901-06600	WASHER, Plate	1	
28	97301-06014	BOLT	1	
29	92901-06100	WASHER, sPring	1	
30	92901-06600	WASHER, Plate	1	

FIG. 17 REAR ARM

REF. NO.	PART NO.	DESCRIPTION	Q'TY	REMARKS
31	97301-06020	BOLT	1	
32	92901-06100	WASHER, sPring	1	
33	90201-06067	WASHER, Plate	1	
34	1W6-22179-00	ARM, tensioner	1	
35	1W1-22187-00	GUIDE, chain	1	
36	2N0-22178-00	TENSIDNER	1	
37	90508-35350	SPRING, torsion	1	
38	90109-10483	BOLT	1	
39	93104-14044	OIL SEAL	2	
40	95301-05700	NUT	2	
41	98501-05035	SCREW, Pan head	2	

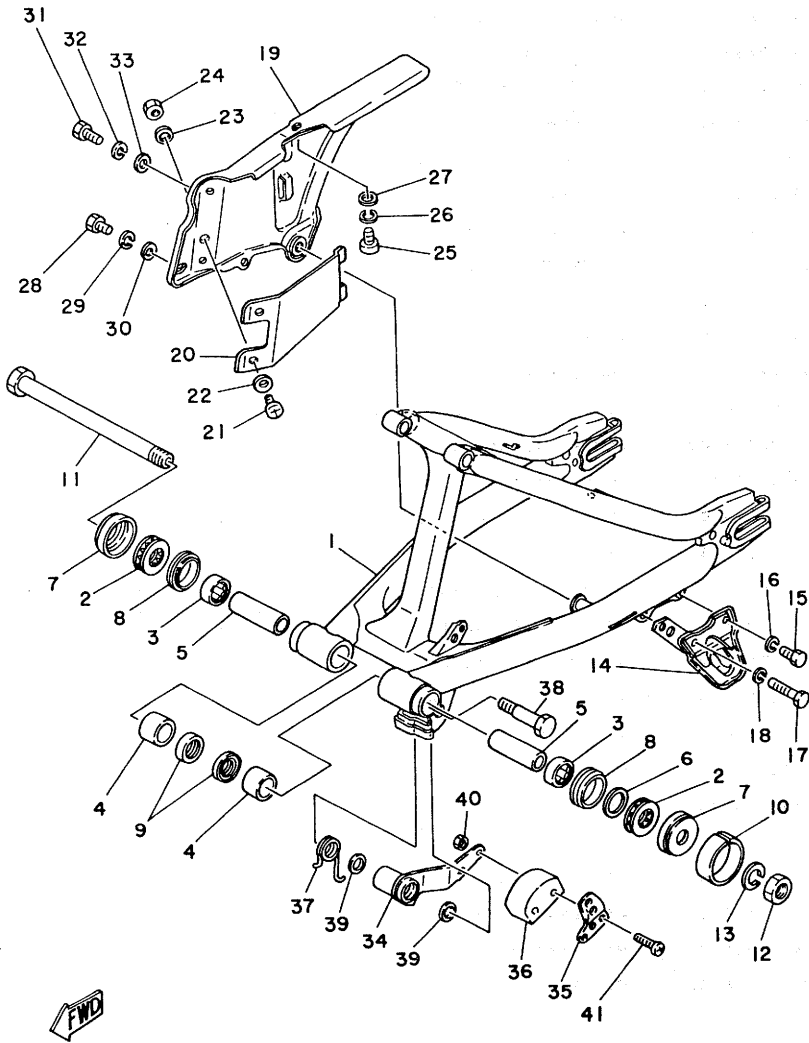
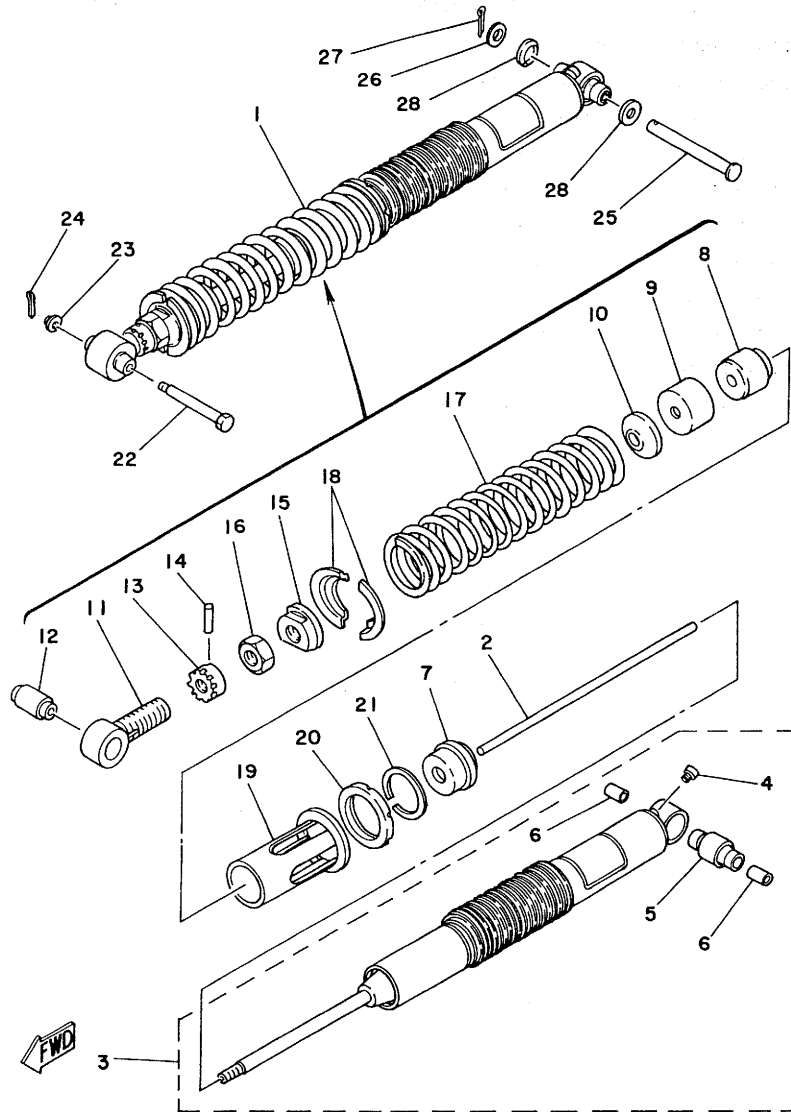


FIG. 18 REAR SUSPENSION



REF. NO.	PART NO.	DESCRIPTION	Q'TY	REMARKS
1	3R8-22210-00	SHOCK ABSORBER ASSY, rear	1	
2	2K6-22489-00	•ROD, Push	1	
3	3R8-22401-00	•DUMPER SUB ASSY	1	
4	98501-04005	••SCREW, Pan head	1	
5	1W1-22226-00	••BUSH, shock absorber lower	1	
6	90380-12051	••BUSH, solid	2	
7	1W1-22472-00	•CAP, case	1	
8	1W1-22493-00	•STOPPER, bump	1	
9	2W6-22221-00	•COVER, bump stop	1	
10	2W6-22228-00	•SUPPDRT, bump stop	1	
11	1W1-22219-00	•BRACKET, upper	1	
12	1W1-22216-00	•BUSH, rear shock absorber	1	
13	1W1-22497-00	•NUT, adjusting	1	
14	93604-26132	•PIN, dowel	1	
15	2K6-22213-00	•SEAT, spring upper	1	
16	90170-20213	•NUT	1	
17	90501-99481	•SPRING, compression (K1 = 2.09 K2 = 4.91 kg/mm)	1	STD (Painted yellow).
18	2K6-22214-00	•GUIDE, spring 1	2	
19	1W1-22224-00	•GUIDE, spring 2	1	
20	1W1-22223-00	•SEAT, spring lower	1	
21	93440-50058	•CIRCLIP	1	
22	90109-08532	BOLT	1	
23	90179-08243	NUT	1	
24	91401-20015	PIN, cotter	1	
25	90240-12060	PIN, clevis	1	
26	92901-12600	WASHER, Plate	1	
27	91401-30022	PIN, cotter	1	
28	1W1-22128-00	COVER, thrust 1	2	

FIG. 19 STEERING

REF. NO.	PART NO.	DESCRIPTION	Q'TY	REMARKS
1	1W1-23435-01-98	CROWN, handle	1	low gloss black
2	95821-08040	BOLT, flange	4	
3	95821-08055	BOLT, flange	1	
4	95701-08100	NUT, flange	1	
5	90105-14136	BOLT, washer based	1	
6	1E6-23441-00-98	HOLDER, handle upper	2	low gloss black
7	95821-08035	BOLT, flange	4	
8	93332-00001	BEARING	1	
9	93332-00008	BEARING	1	
10	1W1-23416-00	COVER, ball race 2	1	
11	90179-25033	NUT	1	
12	1W2-23318-00	HOLDER, cable 1	1	
13	98501-05018	SCREW, Pan head	1	
14	92901-05600	WASHER, Plate	1	
15	95301-05600	NUT	1	
16	3R4-23317-00	HOLDER, cable	1	
17	90462-14055	CLAMP	2	
18	92501-06015	SCREW, Pan head	1	
19	92901-06100	WASHER, sPring	1	

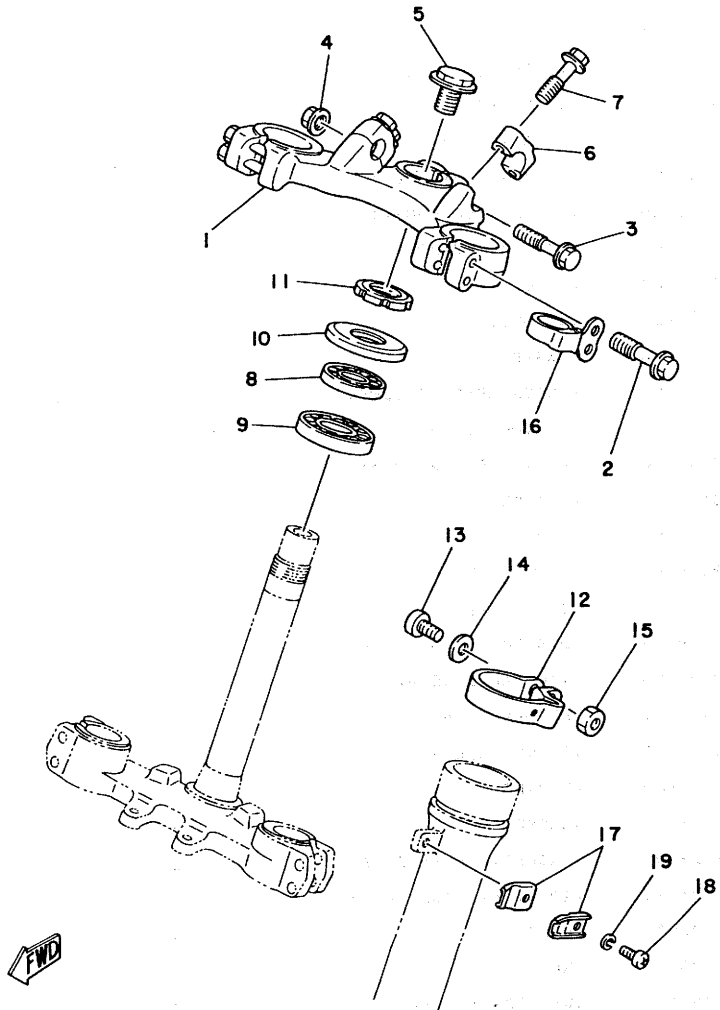
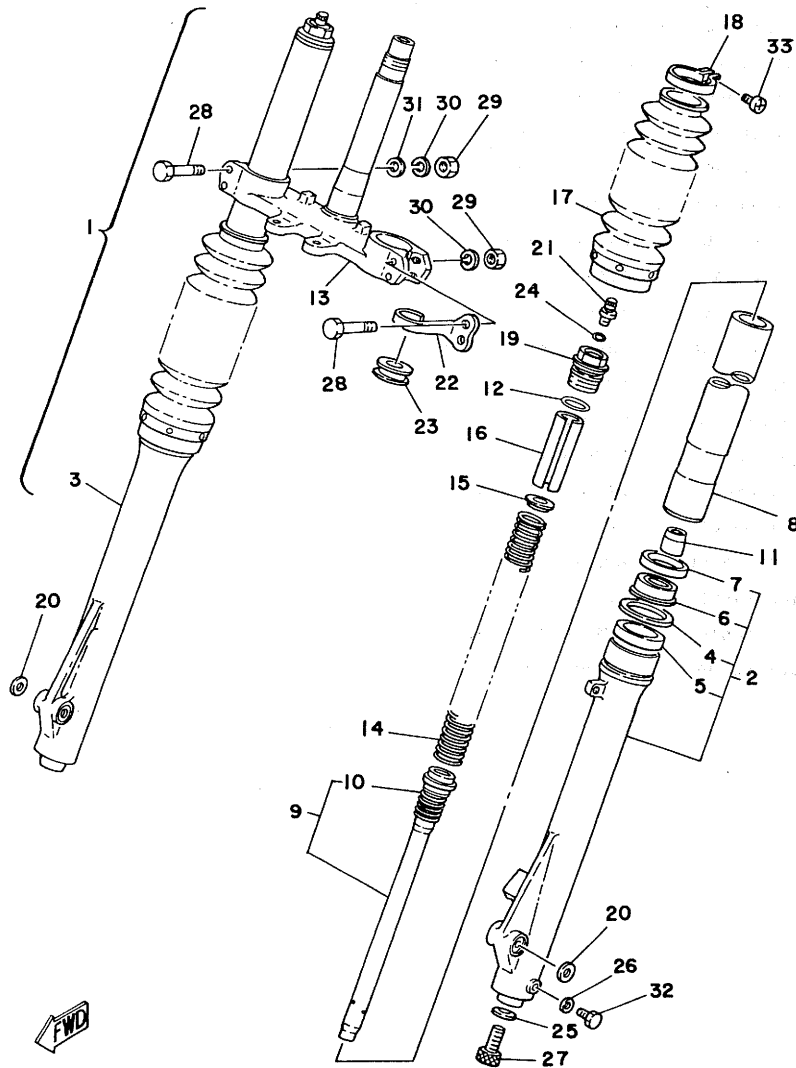
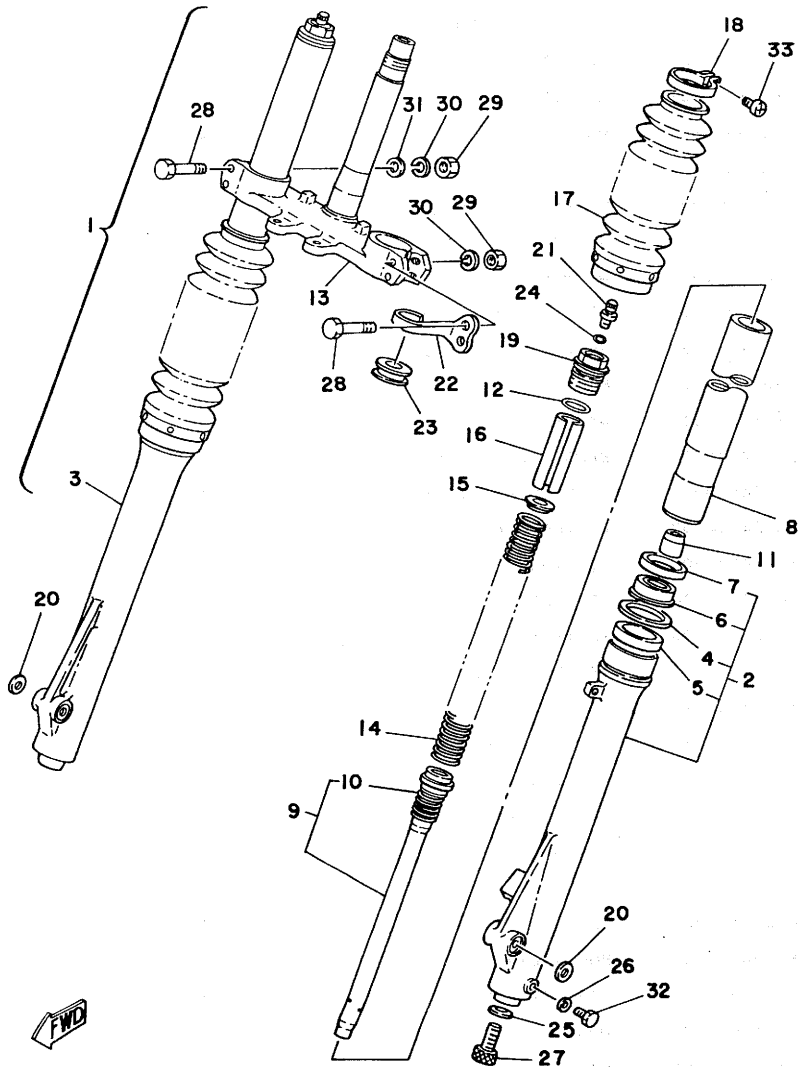


FIG. 20 FRONT FORK



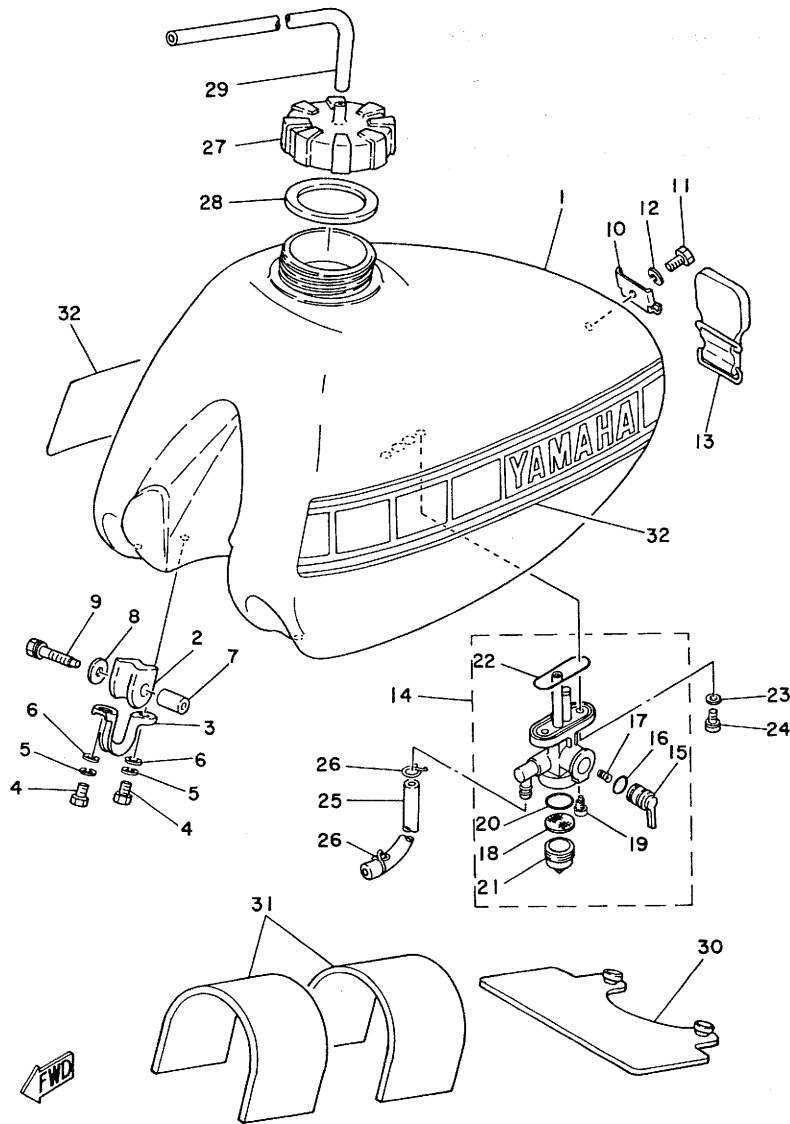
REF. NO.	PART NO.	DESCRIPTION	Q'TY	REMARKS
1	3R8-23101-L0	FRONT FORK ASSY	1	
2	3R8-23126-L0	•TUBE, outer 1	1	
3	3R8-23136-L0	•TUBE, outer 2	1	
4	1W1-23156-L0	••CLIP, oil seal	2	
5	1W1-23145-L0	••OIL SEAL	2	
6	1G8-23144-L1	••SEAL, dust	2	
7	1W1-23148-L0	••COVER, dust seal	2	
8	3R8-23110-L0	•INNER TUBE COMP.1	2	
9	3R8-23170-L0	•CYLINDER COMP., front fork	2	
10	1W1-23151-L0	••SUB, sPring	2	
11	3R8-23173-L0	•SPINDLE, taPer	2	
12	1W1-23114-L0	•GASKET	2	
13	3R8-23340-L0-33	•UNDER BRACKET COMP.	1	yamaha black
14	3R8-23141-L0	•SPRING, front fork: (K = 0.4 kg/mm)	2	
15	1W1-23142-L0	•SEAT, sPring upper	2	
16	1W1-23118-L0	•SPACER	2	
17	2X3-23191-M0	•BOOT	2	
18	341-92090-60	•BAND, boot	2	
19	1W1-23111-L0	•BOLT, caP	2	
20	1W1-23168-L0	•WASHER, outer tube	2	
21	509-23190-L0	•AIR VALVE COMP.	2	
22	1W1-23317-01	•HOLDER, cable	1	
23	1W1-23389-00	•GUIDE, cable	1	
24	509-23163-L0	•O-RING	2	
25	509-23158-L0	•GASKET	2	
26	122-23129-00	•GASKET, drain Plug	2	
27	278-23181-50	•BOLT, hexa8on socket head	2	
28	90109-08397	•BOLT	4	
29	95311-08600	•NUT	4	
30	92901-08100	•WASHER, sPring	4	

FIG. 20 FRONT FORK



REF. NO.	PART NO.	DESCRIPTION	Q'TY	REMARKS
31	90201-08544	•WASHER, Plate	4	
32	122-23119-01	•PLUG, drain	2	
33	509-23194-L0	•SCREW, boot band	2	

FIG. 21 FUEL TANK



REF. NO.	PART NO.	DESCRIPTION	Q'TY	REMARKS
1	1W6-24110-00	FUEL TANK COMP.	1	sky blue
2	1W1-24182-01	DAMPER, locatinG 2	2	
3	1W1-24144-01	HOLDER, damPer	2	
4	97301-06012	BOLT	4	
5	92901-06100	WASHER, sPrinG	4	
6	92901-06600	WASHER, Plate	4	
7	90387-07393	COLLAR	2	
8	90201-06407	WASHER, Plate	2	
9	90119-06022	BOLT, with washer	2	
10	1W1-24192-00	BRACKET, fuel tank 2	1	
11	97301-06012	BOLT	1	
12	92901-06100	WASHER, sPrinG	1	
13	1W1-24173-00	BAND, tank fitting 1	1	
14	2W6-24500-00	FUEL COCK ASSY 1	1	
15	2W6-24524-00	.LEVER, cock	1	
16	2N3-24528-00	.O-RING	1	
17	2W6-24529-00	.SPRING	1	
18	2W6-24561-00	.NET, filter	1	
19	2N3-24535-00	.SCREW, lever fitting	1	
20	357-24522-10	.GASKET	1	
21	357-24521-10	.CUP, filter	1	
22	2W6-24512-00	.O-RING	1	
23	90202-06010	WASHER, Plate	2	
24	90149-06011	SCREW	2	
25	90445-11182	HOSE	1	
26	90467-10008	CLIP	2	
27	1K7-24611-01	BODY, caP	1	
28	1K7-24612-02	GASKET, caP	1	
29	90445-09117	HOSE	1	
30	1W1-24181-00	DAMPER, locatinG 1	1	



FIG. 21 FUEL TANK

REF. NO.	PART NO.	DESCRIPTION	Q'TY	REMARKS
31	1W1-24183-00	DAMPER, locating 3	2	
32	3R8-24240-10	GRAPHIC SET	1	

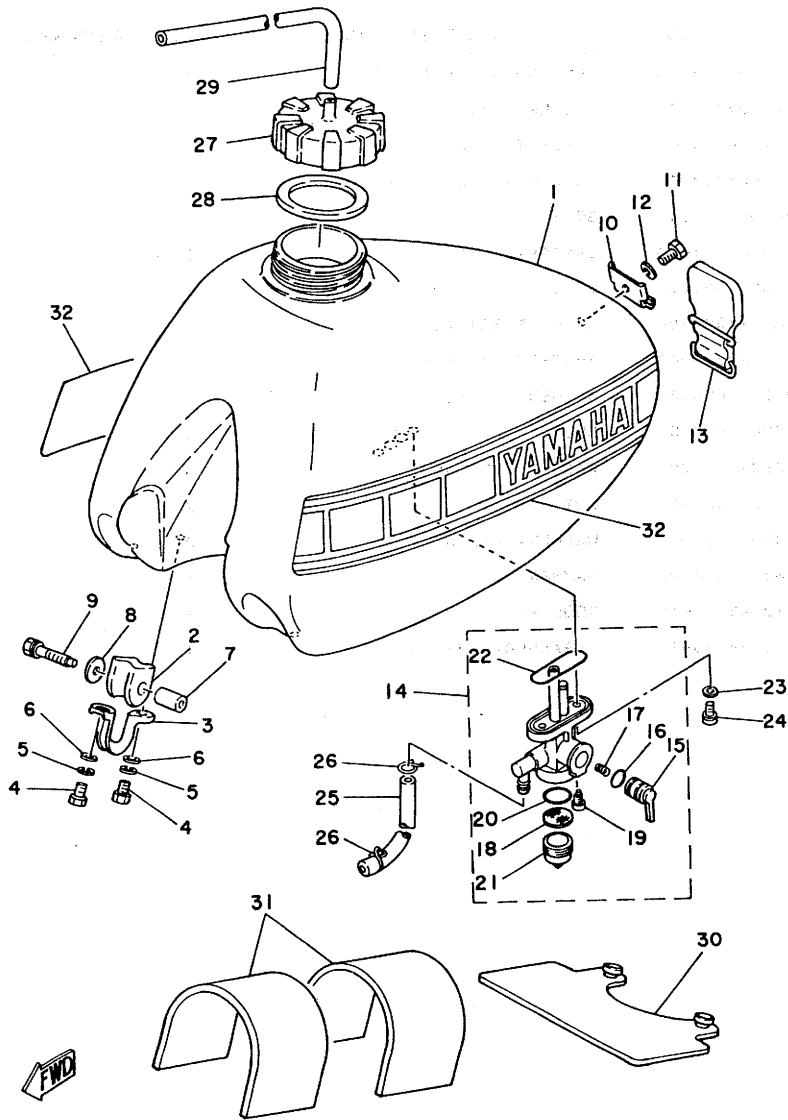
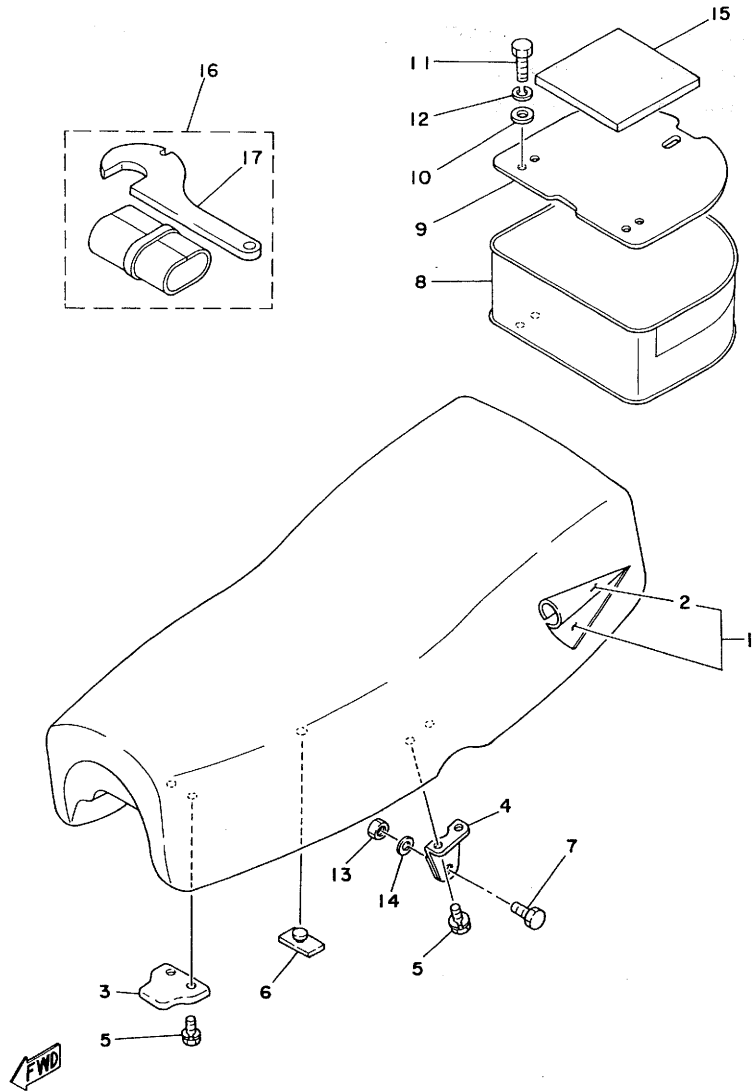
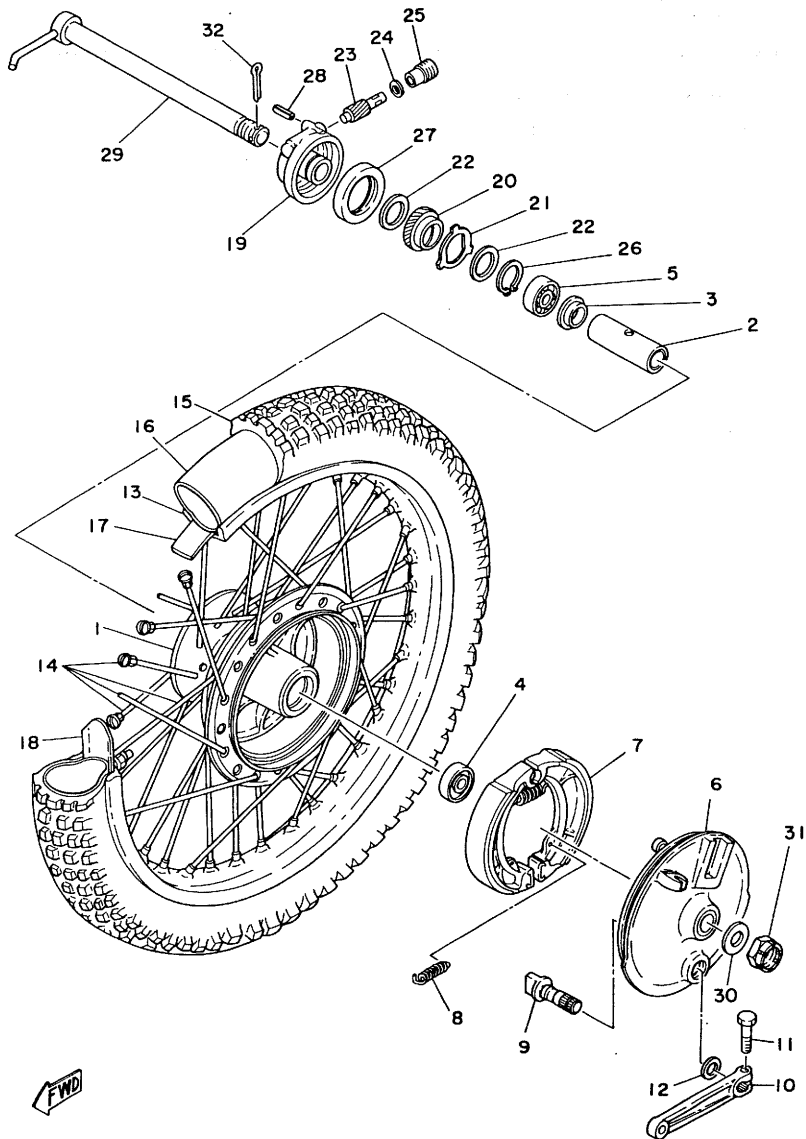


FIG. 22 SEAT



REF. NO.	PART NO.	DESCRIPTION	Q'TY	REMARKS
1	2X7-W2473-00	SEMI-DOUBLE SEAT ASSY	1	
2	2X7-24771-00	COVER, seat	1	
3	1M1-24748-00	BRACKET, seat	1	
4	1W1-24738-00	BRACKET, seat	2	
5	90101-06304	BOLT	6	
6	509-24724-00	DAMPER, seat	6	
7	97301-06035	BOLT	2	
8	1W2-24850-00	CARRIER BOX ASSY	1	
9	1W2-24833-00	BRACKET, carrier 2	1	
10	90201-06067	WASHER, Plate	3	
11	97301-06018	BOLT	3	
12	92901-06100	WASHER, spring	3	
13	95601-06100	NUT, u	2	
14	92901-06200	WASHER, Plain	2	
15	1W2-24854-00	DAMPER	1	
16	1W2-28100-10	TOOL KIT	1	
17	1W1-28135-10	SPANNER, special	1	

FIG. 23 FRONT WHEEL



REF. NO.	PART NO.	DESCRIPTION	Q'TY	REMARKS
1	1K7-25111-10-98	HUB, front	1	low gloss black
2	90560-15116	SPACER	1	
3	146-25116-00	FLANGE, sPacer 2	1	
4	93306-20203	BEARING (B6202RS)	1	
5	93306-20205	BEARING (B6202)	1	
6	1W1-25121-01-98	PLATE, brake shoe	1	low gloss black
7	322-25130-00	BRAKE SHOE COMP.	2	
8	90506-16036	SPRING, tension	2	
9	322-25151-00	CAMSHAFT	1	
10	322-25155-00	LEVER, camshaft 1	1	
11	90101-06291	BOLT	1	
12	137-25159-00	SEAL, camshaft	1	
13	94416-21234	RIM (1.60-21)	1	
14	2W6-25104-01	SPOKE SET, front	1	
15	94130-21561	TIRE (3.00-21)	1	
16	94230-21126	TUBE (3.00-21)	1	
17	94330-21088	BAND, rim (3.00-21)	1	
18	1T1-25194-00	SPACER, bead	1	
19	1W2-25191-00	HOUSING, gear	1	
20	1W2-25135-00	GEAR, drive	1	
21	1K7-25149-00	CLUTCH, meter	1	
22	90201-22283	WASHER, Plate	2	
23	1W2-25138-00	GEAR, meter	1	
24	102-18416-00	SHIM, rod	1	
25	306-25136-00	BUSH	1	
26	93410-22014	CIRCLIP	1	
27	93105-40020	OIL SEAL	1	
28	91609-20014	PIN, sPring	1	
29	1W2-25181-00	AXLE, wheel	1	
30	90201-15785	WASHER, Plate	2	

FIG. 23 FRONT WHEEL

REF. NO.	PART NO.	DESCRIPTION	Q'TY	REMARKS
31	90171-14020	NUT, castle	1	
32	91401-30030	PIN, cotter	1	

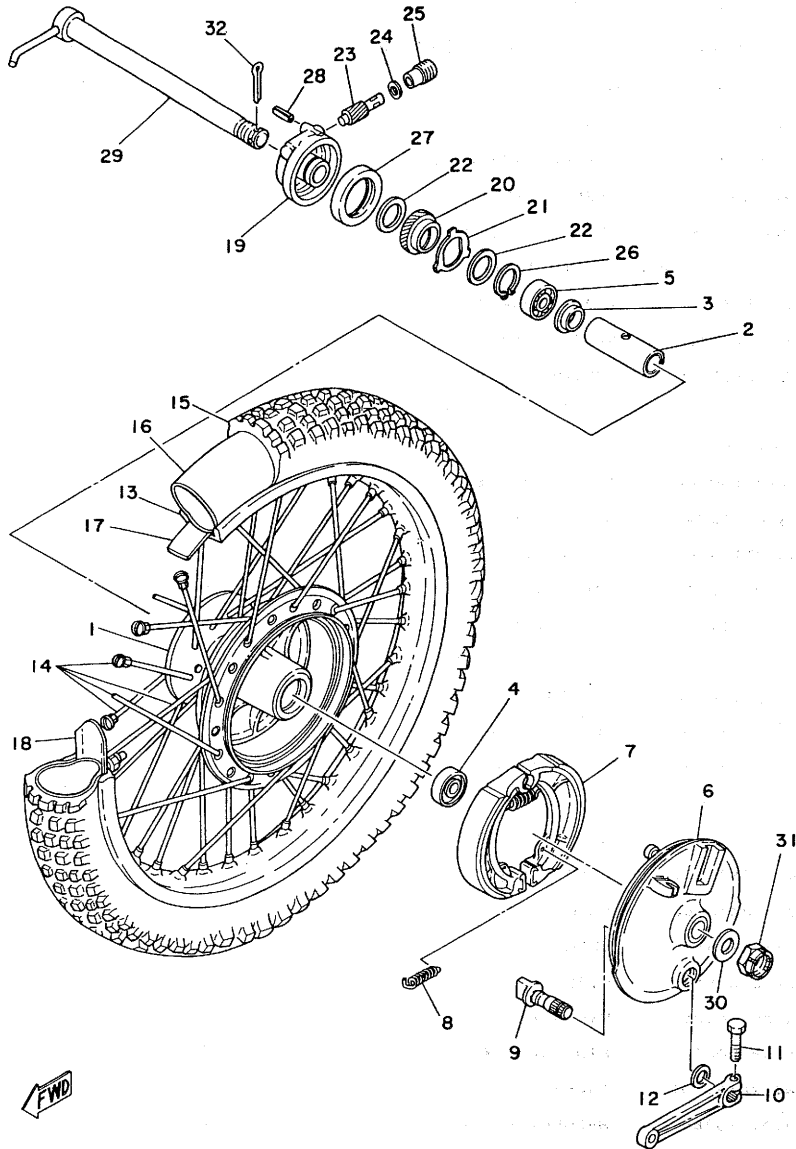
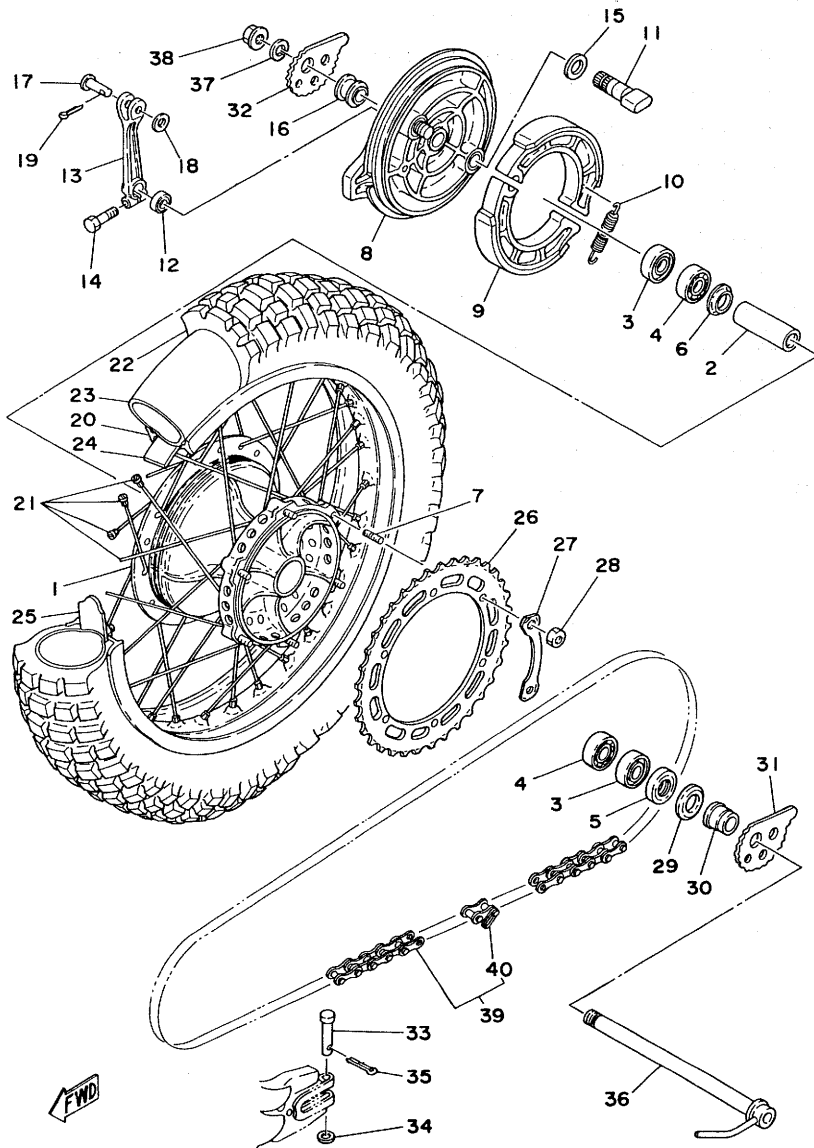


FIG. 24 REAR WHEEL



REF. NO.	PART NO.	DESCRIPTION	Q'TY	REMARKS
1	483-25311-13-98	HUB, rear	1	low gloss black
2	483-25317-01	SPACER, bearing	1	
3	93306-20310	BEARING (B6203RS)	2	
4	93306-20316	BEARING (B6203)	2	
5	93102-25030	OIL SEAL	1	
6	483-25315-00	FLANGE, spacer	1	
7	90116-08218	BOLT, stud	6	
8	1W6-25321-00-98	PLATE, brake shoe	1	low gloss black
9	2X4-25330-00	BRAKE SHOE COMP.	2	
10	90507-20002	SPRING, tension	2	
11	1E2-25151-00	CAMSHAFT	1	
12	148-25359-00	SEAL, camshaft	1	
13	431-25355-00	LEVER, camshaft	1	
14	90101-06291	BOLT	1	
15	148-25353-00	SHIM, camshaft	1	
16	90387-17618	COLLAR	1	
17	1W2-27237-00	PIN, clevis	1	
18	90201-12631	WASHER, plate	1	
19	91401-25022	PIN, cotter	1	
20	94421-18238	RIM (2.15-18)	1	
21	431-25304-01	SPOKE SET, rear	1	
22	94151-18562	TIRE (5.10-18)	1	
23	94245-18125	TUBE (4.50-18)	1	
24	94345-18081	BAND, rim (4.50-18)	1	
25	1T1-25394-01	SPACER, bead	2	
26	583-25446-10	SPROCKET, driven (46T)	1	UR STD
	583-25444-10	SPROCKET, driven (44T)	1	UR AP
	583-25448-10	SPROCKET, driven (48T)	1	UR AP
27	583-25412-00	WASHER	3	
28	90170-08193	NUT	6	

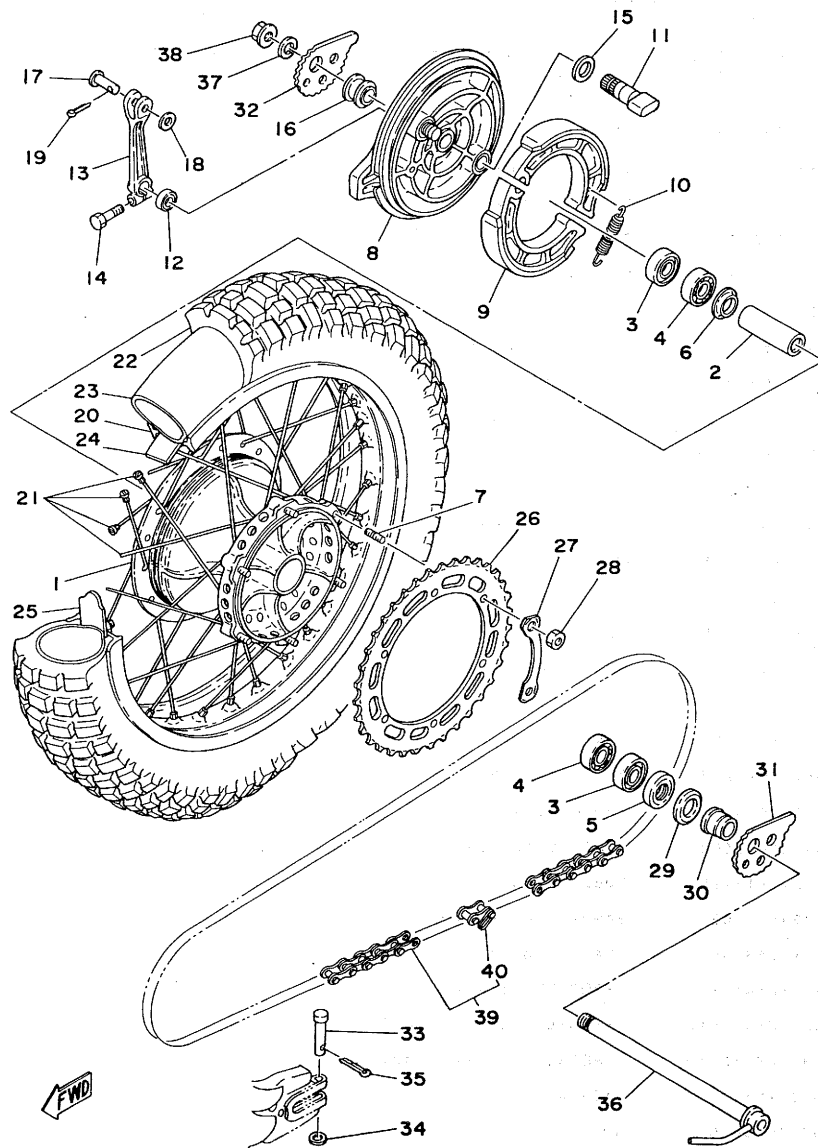


FIG. 24 REAR WHEEL

REF. NO.	PART NO.	DESCRIPTION	Q'TY	REMARKS
29	431-25367-00	COVER, hub dust	1	
30	90387-17431	COLLAR	1	
31	1M1-25388-01	PULLER, chain 1	1	
32	1M1-25389-01	PULLER, chain 2	1	
33	91701-08042	PIN, clevis	2	
34	92901-08600	WASHER, Plate	2	
35	91401-25015	PIN, cotter	2	
36	1W6-25381-00	AXLE, wheel	1	
37	92901-16100	WASHER, spring	1	
38	90179-16007	NUT	1	
39	94585-20102	CHAIN (DID520TR-102L)	1	
40	94685-20001	JOINT, chain	1	

FIG. 25 HANDLEBAR.CABLE

REF. NO.	PART NO.	DESCRIPTION	Q'TY	REMARKS
1	1W1-26111-03	HANDLEBAR	1	
2	583-26241-00	GRIP (L.H)	1	
3	583-26242-00	GRIP (R.H)	1	
4	322-26243-00	TUBE, throttle Guide	1	
5	1W1-26249-00	RING, leaf	1	
6	322-26281-00-98	CAP, GriP uPPer	1	low gloss black
7	322-26282-00-98	CAP, GriP lower	1	low gloss black
8	98503-05015	SCREW, Pan head	2	
9	3R8-26287-00	COVER, caP GriP	1	
10	1W6-26311-01	CABLE, throttle 1	1	
11	2K7-26335-00	CABLE, clutch	1	
12	382-26372-01	.COVER, handle lever	1	
13	3R8-26341-00	CABLE, brake	1	
14	382-26372-01	.COVER, handle lever	1	
15	90123-08013	BOLT	1	
16	90179-08148	NUT	2	
17	90240-08012	PIN, clevis	1	
18	90201-08083	WASHER, Plate	1	
19	156-26347-00	JOINT, cable	1	
20	91401-20012	PIN, cotter	1	
21	803-82591-00	BAND	1	
22	90123-08046	BOLT	1	

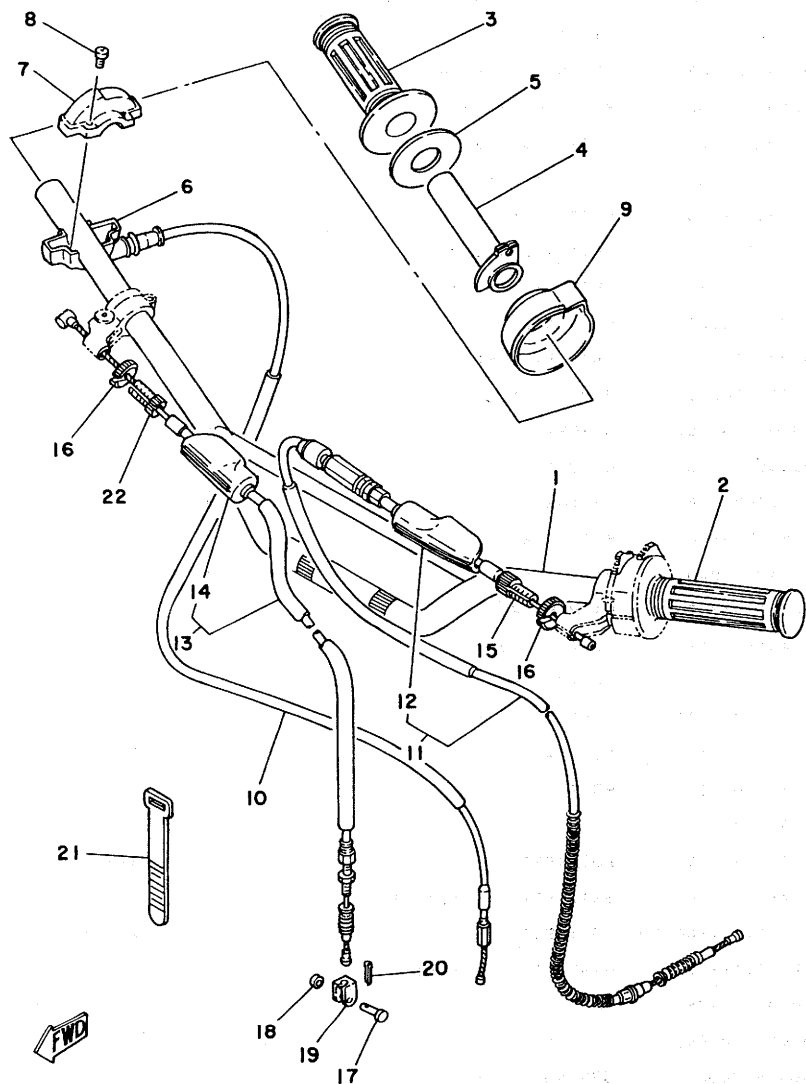
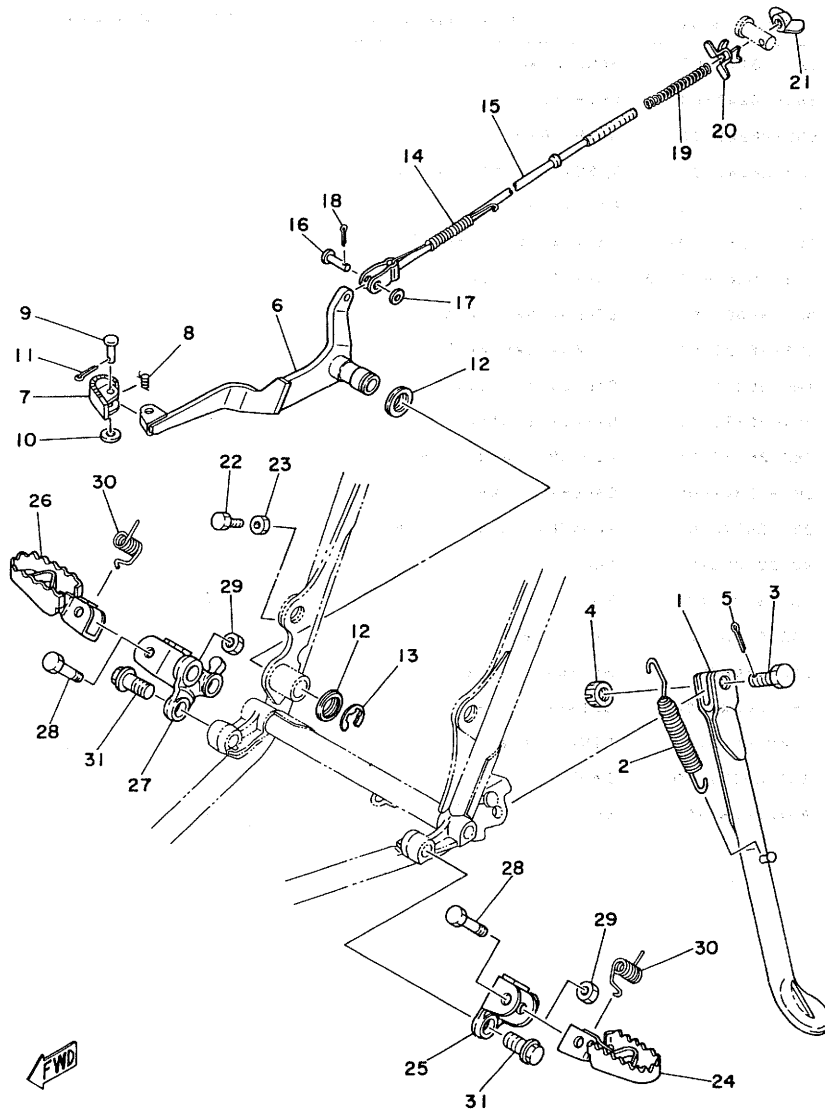


FIG. 26 STAND•FOOTREST



REF. NO.	PART NO.	DESCRIPTION	Q'TY	REMARKS
1	2K7-27311-00	STAND, side	1	
2	90507-29008	SPRING, tension	1	
3	90102-10006	BOLT, with hole	1	
4	95302-10900	NUT, slotted	1	
5	91401-20025	PIN, cotter	1	
6	3R8-27211-00	PEDAL, brake	1	
7	3R8-27242-00	PEDAL, brake	1	
8	90508-14429	SPRING, torsion	1	
9	91701-06028	PIN, clevis	1	
10	92901-06600	WASHER, Plate	1	
11	91401-20012	PIN, cotter	1	
12	498-27235-00	COVER, dust	2	
13	93430-15023	CIRCLIP	1	
14	90506-20128	SPRING, tension	1	
15	2K5-27231-00	ROD, brake	1	
16	90240-06040	PIN, clevis	1	
17	92901-06200	WASHER, Plain	1	
18	91401-20012	PIN, cotter	1	
19	90501-10245	SPRING, compression	1	
20	1W2-27239-00	SEAT, spring	1	
21	90175-06013	NUT, wing	1	
22	97301-06020	BOLT	1	
23	95301-06700	NUT	1	
24	2W6-27411-00-33	FOOTREST 1	1	yamaha black
25	2X4-27412-00	BRACKET, footrest 1	1	
26	2W6-27421-00-33	FOOTREST 2	1	yamaha black
27	2X7-27422-00	BRACKET, footrest 2	1	
28	90101-08428	BOLT	2	
29	95601-08100	NUT, u	2	
30	90508-20023	SPRING, torsion	2	



FIG. 26 STAND-FOOTREST

REF. NO.	PART NO.	DESCRIPTION	Q'TY	REMARKS
31	90105-12096	BOLT, washer based	4	

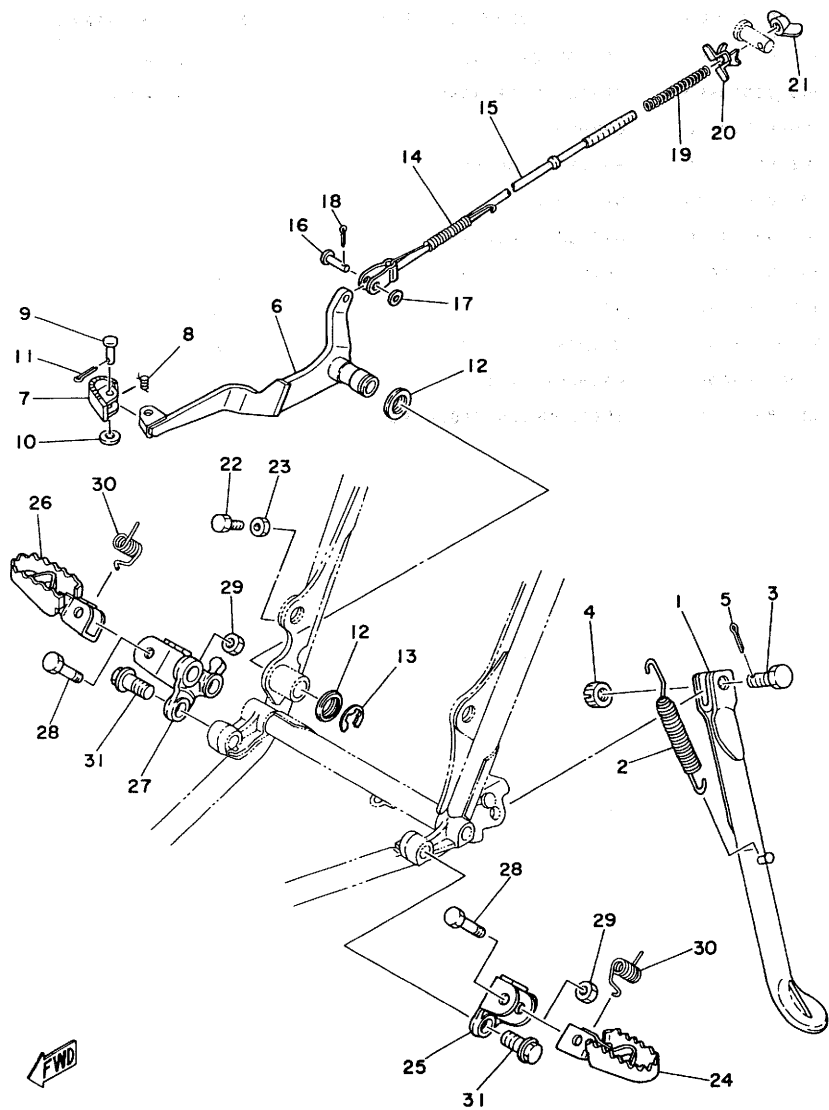
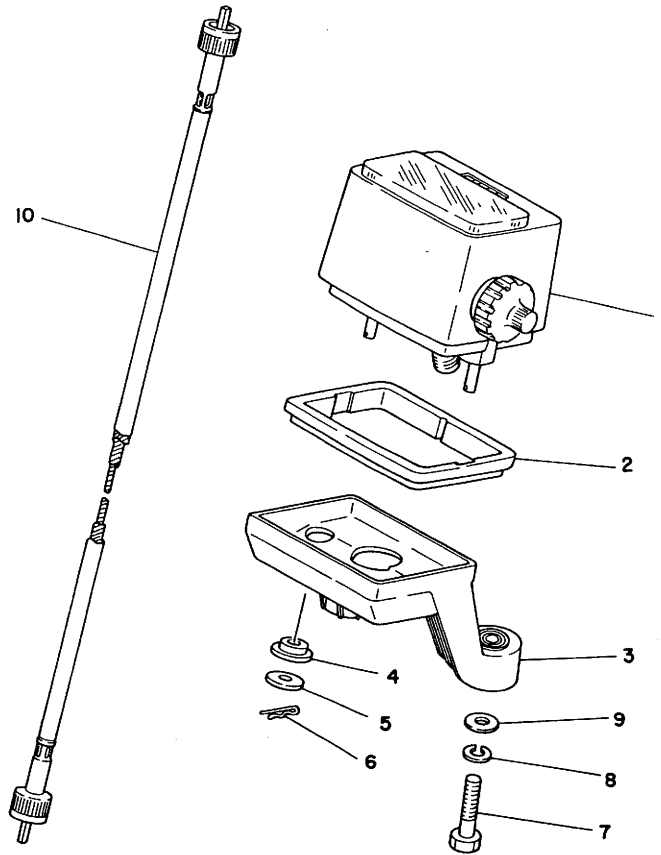


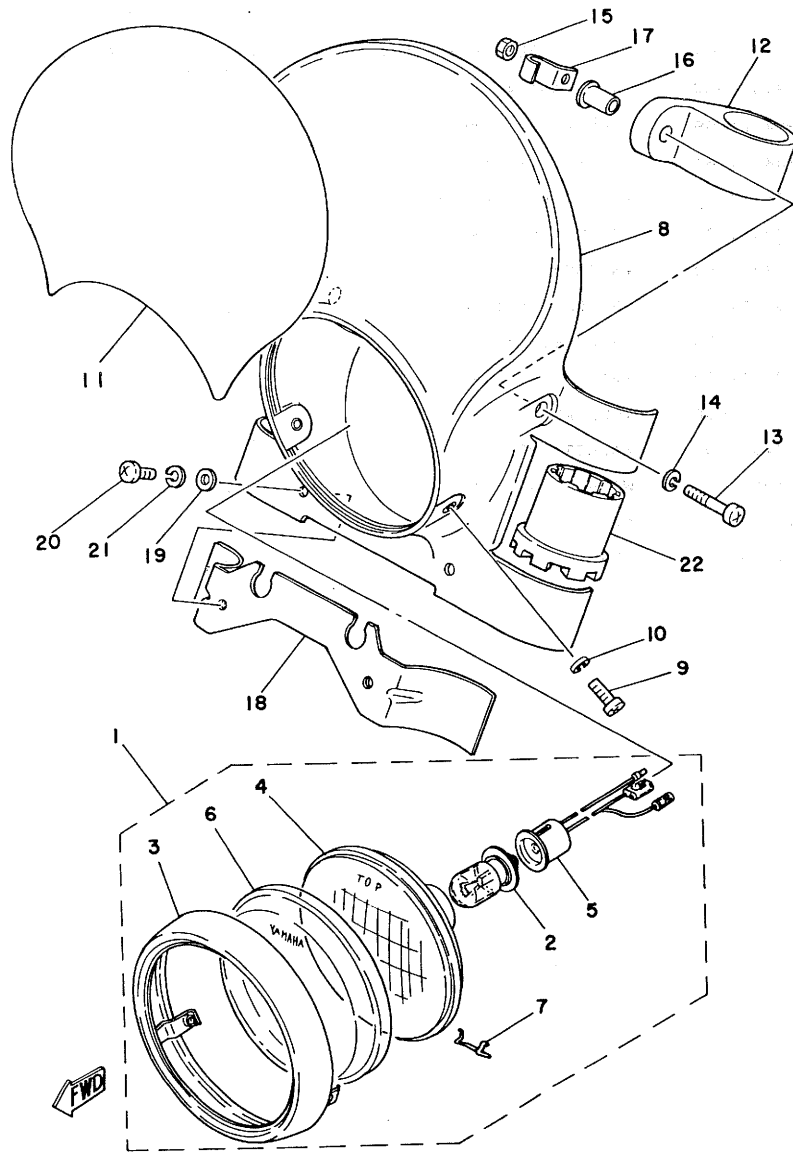
FIG. 27 METER



REF. NO.	PART NO.	DESCRIPTION	Q'TY	REMARKS
1	3R8-83570-60	SPEEDOMETER ASSY	1	UR mile/h
	3R8-83570-F0	SPEEDOMETER ASSY	1	UR km/h
2	3R8-83513-00	DAMPER	1	
3	3R8-83519-00	BRACKET, meter	1	
4	1M1-83526-00	DAMPER 2	2	
5	1E6-83524-60	WASHER, sPecial	2	
6	90468-12007	CLIP	2	
7	97321-06030	BOLT	2	
8	92901-06100	WASHER, sPring	2	
9	92901-06600	WASHER, Plate	2	
10	3R8-83550-00	SPEEDOMETER CABLE ASSY	1	

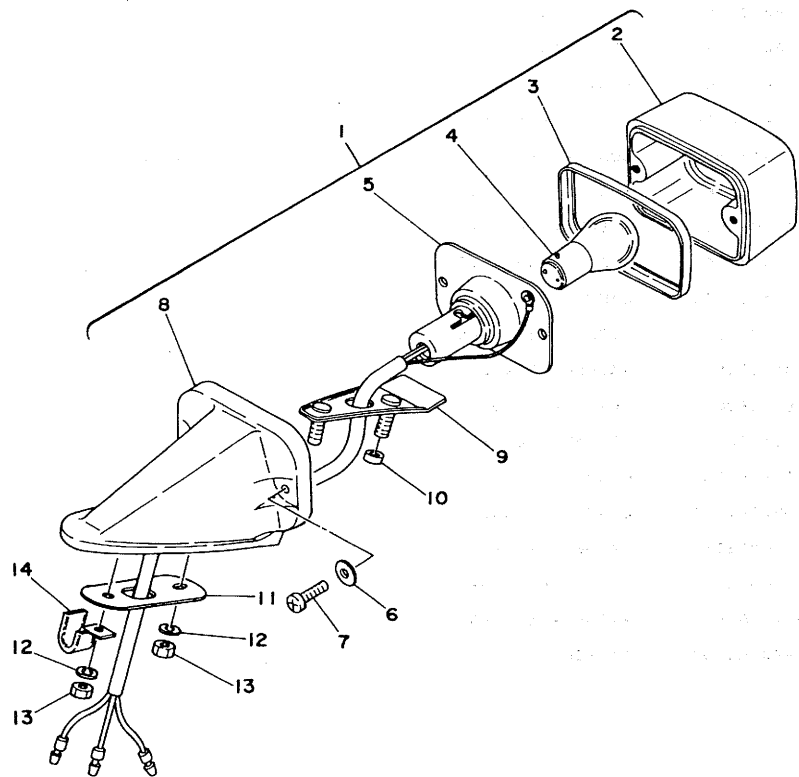
FWD

FIG. 28 HEADLIGHT



REF. NO.	PART NO.	DESCRIPTION	Q'TY	REMARKS
1	3R8-84110-60	HEADLIGHT UNIT ASSY	1	
2	527-84114-09	.BULB (6V-25/25W)	1	
3	3R8-84115-60	.RIM, headlight	1	
4	1W2-84120-60	.LENS ASSY	1	
5	1W2-84112-60	.SOCKET	1	
6	1W2-84144-60	.COVER, headlight	1	
7	1W2-84324-60	.SPRING, lens fitting	4	
8	3R8-84130-00	BODY ASSY, headlight	1	sky blue
9	98501-05016	SCREW, Pan head	2	
10	92901-05100	WASHER, sPring	2	
11	3R8-84141-01	EMBLEM, headlight	1	
12	3R8-84163-00	DAMPER	2	
13	92501-06030	SCREW, Pan head	2	
14	90201-06407	WASHER, Plate	2	
15	90185-06062	NUT, self-locking	2	
16	3R8-84133-00	COLLAR, screw	2	
17	90462-05005	CLAMP	1	
18	3R8-84181-00	BRACKET, lower 1	1	
19	90201-06571	WASHER, Plate	2	
20	92501-06012	SCREW, Pan head	2	
21	92901-06100	WASHER, sPring	2	
22	3R8-84164-00	DAMPER	2	

FIG. 29 TAILLIGHT



REF. NO.	PART NO.	DESCRIPTION	Q'TY	REMARKS
1	434-84500-64	TAILLIGHT ASSY	1	
2	434-84521-69	.LENS, taillight	1	
3	434-84515-61	.RIM, taillight	1	
4	122-84514-30	.BULB (6V-17/5.3W)	1	
5	434-84517-61	.CORD, taillight	1	
6	434-84522-62	.WASHER	2	
7	434-84524-61	.SCREW, lens fitting	2	
8	434-84519-64	.BRACKET, taillight	1	
9	434-84511-63	.BASE, taillight	1	
10	434-84557-60	.COLLAR	2	
11	1W2-84525-00	WASHER, sPecial	1	
12	92901-05100	WASHER, sPring	2	
13	95301-05600	NUT	2	
14	90462-05005	CLAMP	1	

FIG. 30 ELECTRICAL 1

REF. NO.	PART NO.	DESCRIPTION	Q'TY	REMARKS
1	1M2-82310-40	IGNITION COIL ASSY	1	
2	92501-06025	SCREW, Pan head	2	
3	92901-06100	WASHER, sPring	2	
4	90462-05005	CLAMP	1	
5	3R0-82370-20	PLUG CAP ASSY	1	UR
	8E7-82370-11	PLUG CAP ASSY	1	UR with noise suPPressor
6	3R8-82590-00	WIRE HARNESS ASSY	1	
7	437-83936-00	BAND, switch cord	3	

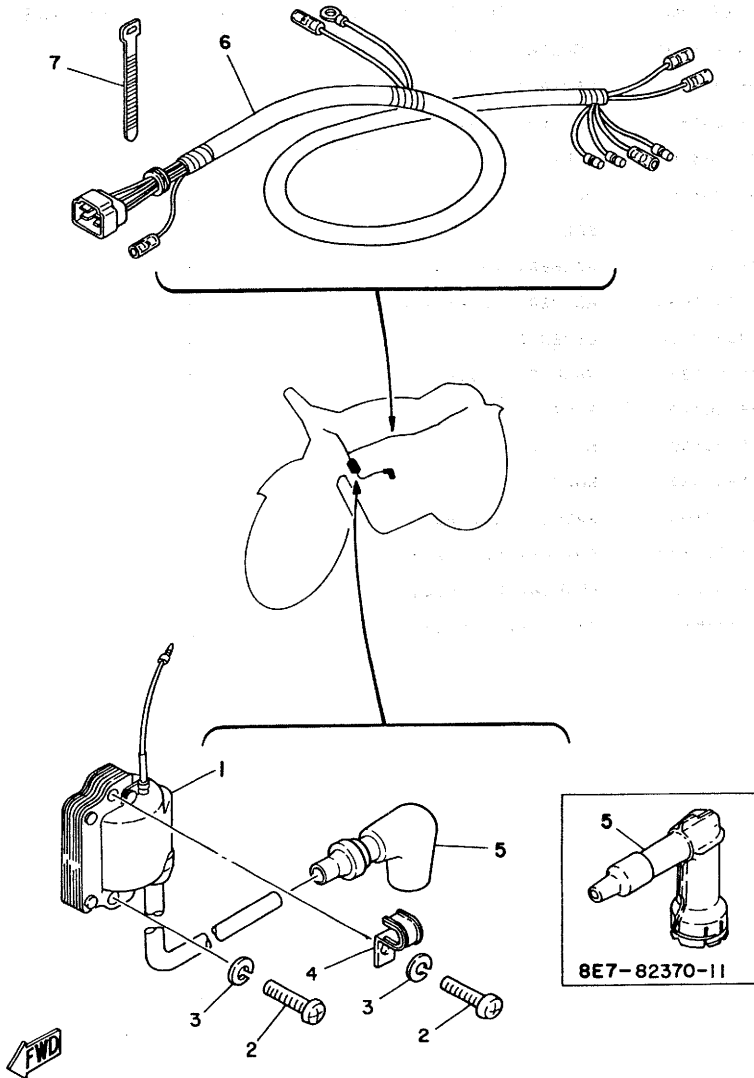
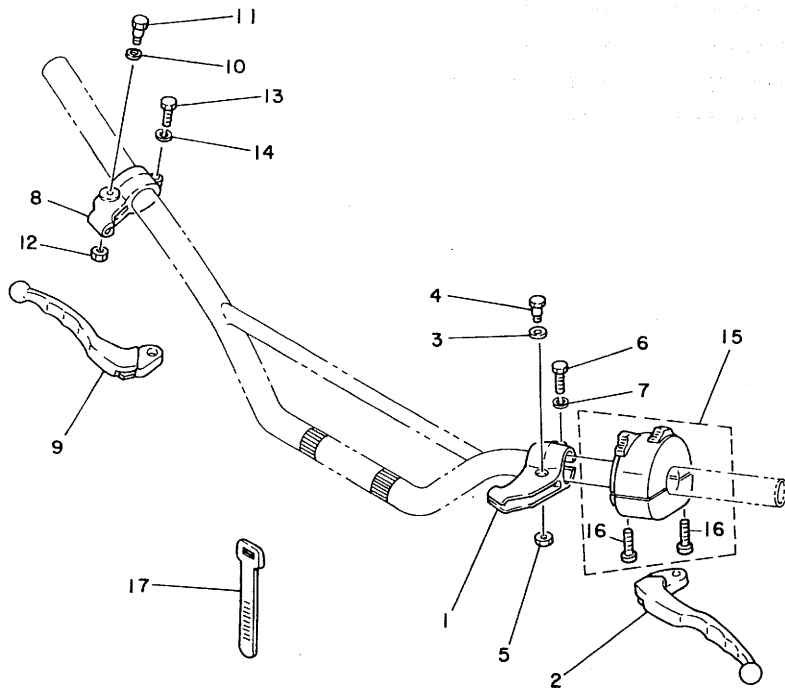


FIG. 31 HANDLE SWITCH-LEVER



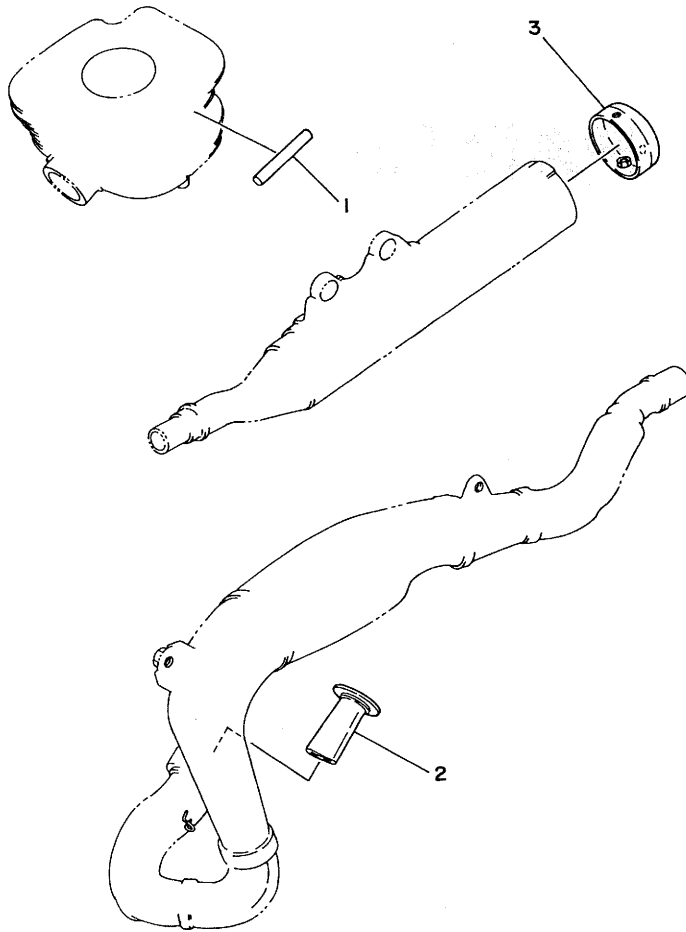
REF. NO.	PART NO.	DESCRIPTION	Q'TY	REMARKS
1	461-82911-00	HOLDER, lever 1	1	
2	2K6-83912-00	LEVER 1	1	
3	90201-08083	WASHER, Plate	1	
4	90109-06410	BOLT	1	
5	95601-06100	NUT, u	1	
6	97301-06022	BOLT	1	
7	92901-06100	WASHER, sPring	1	
8	516-82921-30	HOLDER, lever 2	1	
9	2K6-83922-00	LEVER 2	1	
10	90201-08083	WASHER, Plate	1	
11	90109-06410	BOLT	1	
12	95601-06100	NUT, u	1	
13	97301-06022	BOLT	1	
14	92901-06100	WASHER, sPring	1	
15	3R8-83973-00	SWITCH, handle 3	1	
16	98501-08022	•SCREW, Pan head	2	
17	437-83936-00	BAND, switch cord	2	

← FWD

# **ALTERNATE PARTS**

FIG. 32 ALTERNATE (ENGINE) U.S.A. ONLY

REF. NO.	PART NO.	DESCRIPTION	Q'TY	REMARKS
1	1W6-11161-00	ABSORBER 1	10	
2	2X8-14634-00	PIPE, choke	1	
3	2X7-14787-00	CAP, silencer	1	

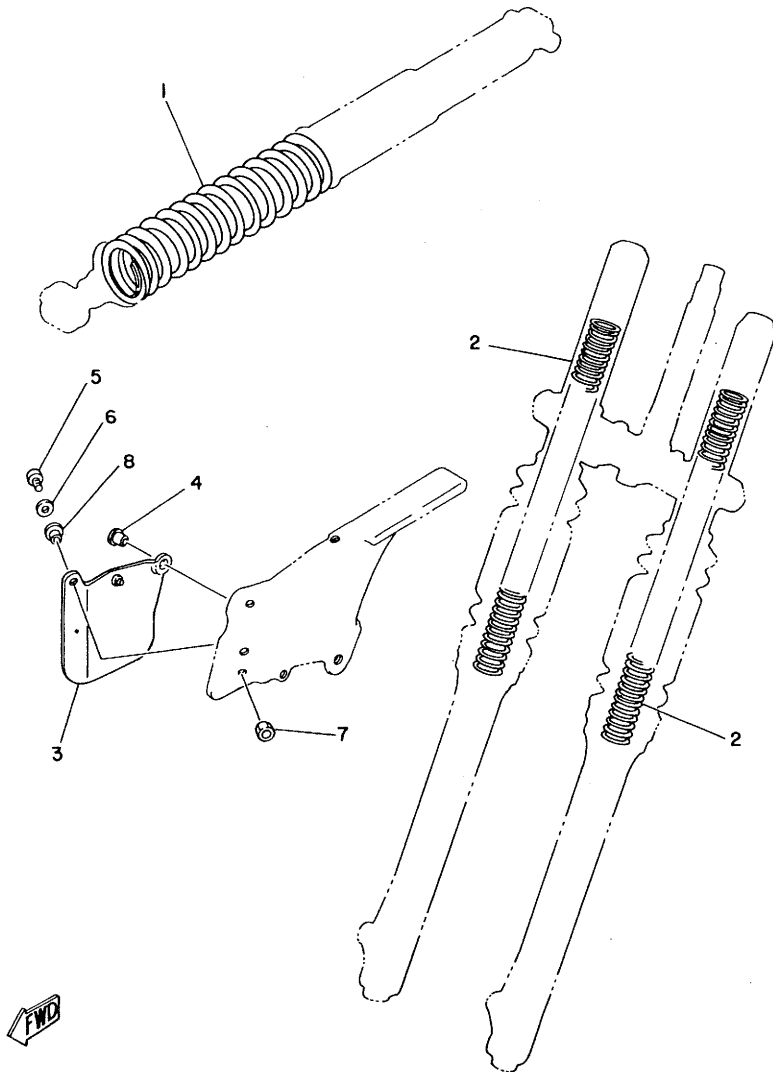


FWD



FIG. 33 ALTERNATE (CHASSIS)

REF. NO.	PART NO.	DESCRIPTION	Q'TY	REMARKS
1	3R8-22212-10	SPRING, compression (K1 = 1.8 K2 = 4.8 kg/mm)	1	soft (Painted Green)
	90501-99479	SPRING, compression (K1 = 2.55 K2 = 5.03 kg/mm)	1	hard (Painted blue)
2	3R8-23141-10	SPRING, front fork (K = 0.356 kg/mm)	2	soft (not needed spacer)
	3R8-23141-20	SPRING, front fork (K = 0.44 kg/mm)	2	hard (not needed spacer)
3	2X7-22313-00	RUBBER, chain case	1	
4	802-83923-00	COLLAR, lever 2	1	
5	92501-06014	SCREW, Pan head	1	
6	92901-06600	WASHER, Plate	1	
7	95601-06100	NUT, u	1	
8	90387-06500	COLLAR	1	





# **REPAIR KIT**

FIG. 34 REPAIR KIT

REF. NO.	PART NO.	DESCRIPTION	Q'TY	REMARKS
1	3R8-11650-00	CONNECTING ROD ASSY	1	
2	2X5-11651-10	•ROD, connecting	1	
3	3R8-11681-00	•PIN, crank 1	1	
4	93310-418E9	•BEARING, cylindrical	1	
5	93310-42541	•BEARING, cylindrical	1	
6	90209-25085	•WASHER	2	
7	3R8-11630-00	PISTON ASSY (STD)	1	
8	3R8-11631-00-94	•PISTON (STD)	1	UR
	3R8-11631-00-96	•PISTON (STD)	1	UR
9	1W6-11610-00	•PISTON RING SET (STD)	1	
10	1W4-11633-00	•PIN, Piston	1	
11	93450-19052	•CIRCLIP	2	
12	3R8-11630-10	PISTON ASSY (1ST O/S)	1	
13	3R8-11635-00	•PISTON (1ST O/S 0.25MM)	1	
14	1W6-11610-10	•PISTON RING SET (1ST O/S)	1	
15	1W4-11633-00	•PIN, Piston	1	
16	93450-19052	•CIRCLIP	2	
17	3R8-11630-20	PISTON ASSY (2ND O/S)	1	
18	3R8-11636-00	•PISTON (2ND O/S 0.50MM)	1	
19	1W6-11610-20	•PISTON RING SET (2ND O/S)	1	
20	1W4-11633-00	•PIN, Piston	1	
21	93450-19052	•CIRCLIP	2	
22	3R8-11630-30	PISTON ASSY (3RD O/S)	1	
23	3R8-11637-00	•PISTON (3RD O/S 0.75MM)	1	
24	1W6-11610-30	•PISTON RING SET (3RD O/S)	1	
25	1W4-11633-00	•PIN, Piston	1	
26	93450-19052	•CIRCLIP	2	
27	3R8-11630-40	PISTON ASSY (4TH O/S)	1	
28	3R8-11638-00	•PISTON (4TH O/S 1.00MM)	1	
29	1W6-11610-40	•PISTON RING SET (4TH O/S)	1	

REF. NO.	PART NO.	DESCRIPTION	Q'TY	REMARKS
30	1W4-11633-00	•PIN, Piston	1	
31	93450-19052	•CIRCLIP	2	

# INDEX

NUMERICAL INDEX

PART NO.	REF. NO.	PART NO.	REF. NO.	PART NO.	REF. NO.
2X7-W2473-00	22- 1	2X5-13610-00	4- 1	2X5-14453-00	4-10
3R8-11111-00	1- 1	2K7-13613-00	4- 2	2X8-14610-01	6- 1
2N6-11127-00	1-15	2X5-13616-00	4- 3	2X8-14634-00	32- 2
1W2-11161-00	1- 3	2K7-13621-00	4- 6	1M1-14714-00	6-11
1W6-11161-00	32- 1	3R8-14101-00	5- 1	565-14747-00	6-18
498-11161-00	1- 2	2X8-14112-40	5-27	2X8-14752-00	6-14
1W4-11181-00	1- 4	500-14115-00	5-32	2X7-14753-00	6-13
214-11198-01	12-18	239-14116-16	5-30	565-14771-00	6- 7
3R8-11311-00	1- 9	214-14118-00	5-36	1W6-14781-00	6-25
2X5-11351-00	1-10	2A0-14122-00	5-25	483-14781-00	6- 3
3R8-11400-00	2- 6	1W3-14123-00	5-23	2X7-14787-00	32- 3
3R8-11412-00	2- 7	363-14131-00	5-16	2X5-15111-00	7- 1
3R8-11422-00	2- 8	137-14133-00	5-22	2K7-15113-00	7-18
1W6-11610-00	2- 2	256-14135-00	5-43	2X5-15118-00	7-16
	34- 9	509-14136-00	5-35	2X5-15121-00	7-11
	2- 2	164-14137-00	5-34	1G8-15362-00	8- 9
	34-14	363-14137-00	5-21	2K7-15381-00	12- 9
1W6-11610-20	2- 2	737-14137-00	5-40	1W4-15383-00	7-14
	34-19	510-14141-48	5- 5	2K7-15383-00	7- 6
1W6-11610-30	2- 2	193-14142-60	5- 4	2X7-15411-00	8- 1
	34-24	137-14143-81	5- 6	2K7-15421-00	8- 4
1W6-11610-40	2- 2	137-14143-82	5- 6	2K7-15431-01	8- 6
	34-29	137-14143-83	5- 6	2K7-15441-02	7-21
3R8-11630-00	34- 7	313-14146-00	5-47	2X7-15451-00	8- 2
3R8-11630-10	34-12	510-14146-00	5-29	2K7-15462-00	8- 7
3R8-11630-20	34-17	558-14147-00	5-33	2K7-15618-00	9-29
3R8-11630-30	34-22	2X8-14153-00	5-31	2K7-15620-00-33	9-23
3R8-11630-40	34-27	509-14155-01	5-20	2K7-15621-00	9-24
3R8-11631-00-94	2- 1	1W3-14158-00	5-24	2K7-15641-01	9- 2
	34- 8	127-14161-00	5-18	132-15644-00	9- 6
3R8-11631-00-96	2- 1	802-14161-00	5-26	2K7-15651-00	9-20
	34- 8	1M1-14169-00	5-19	2K7-15661-01	9- 1
1W4-11633-00	2- 3	1W1-14171-00	5-37	2K7-15664-00	9-12
	34-10	2X7-14173-00	5-41	2K7-15668-00	9-16
	34-15	802-14174-00	5-42	248-15668-00	9-18
	34-20	1W3-14175-00	5-45	2K7-15671-01	9- 3
	34-25	1W3-14178-00	5-38	214-15674-00	9-14
	34-30	510-14181-16	5- 2	168-15676-00	9- 4
3R8-11635-00	2- 1	363-14184-00	5- 3	2K7-15676-00	9-13
	34-13	214-14185-00	5-28	214-15686-00	9-15
3R8-11636-00	2- 1	537-14186-00	5- 9	2X5-16111-00	10- 1
	34-18	363-14187-00	5- 7	2K7-16150-00	10- 7
3R8-11637-00	2- 1	363-14190-35	5- 8	2K7-16154-00	10-15
	34-23	239-14195-00	5-10	2K7-16181-00	10-14
3R8-11638-00	2- 1	2K7-14197-00	5-13	2X5-16300-00	10- 6
	34-28	310-14197-00	5-46	383-16321-00	10-11
3R8-11650-00	34- 1	509-14198-00	5-17	360-16325-00	10-10
2X5-11651-10	2-10	737-14241-00	5-39	1M1-16351-00	10- 9
	34- 2	509-14274-00	5-44	1M1-16356-00	10-18
3R8-11681-00	2- 9	2K7-14411-01	4-13	1W4-16357-00	10-24
	34- 3	2K7-14412-00	4-14	2X5-16371-00	10- 8
137-13115-00	7- 8	2K7-14450-00	4-16	2X4-16380-00	10-29
3R8-13565-00	4- 7	2K7-14452-00	4-15	2X5-17121-00	11- 9

NUMERICAL INDEX

PART NO.	REF. NO.	PART NO.	REF. NO.	PART NO.	REF. NO.
3R8-17131-00	11- 6	1W4-22141-00	17-11	1W1-23317-01	20-22
2X8-17141-00	11- 3	2W6-22151-00	17-10	3R4-23317-00	19-16
2X8-17151-01	11- 8	2W6-22153-00	17-14	1W2-23318-00	19-12
2X8-17211-00	11-21	2K6-22178-00	14-17	3R8-23340-L0-33	20-13
2X5-17221-00	11-14	2N0-22179-00	17-36	1W1-23389-00	20-23
2X5-17231-00	11-19	1W6-22178-00	17-34	1W1-23416-00	19-10
2X8-17241-00	11-20	1W1-22187-00	17-35	1W1-23435-01-98	19- 1
2X8-17251-01	11-17	3R8-22210-00	18- 1	1E6-23441-00-98	19- 6
2X8-17411-00	11- 1	3R8-22212-10	33- 1	1W6-24110-00	21- 1
2X5-17421-00	11-13	2K6-22213-00	18-15	1W1-24144-01	21- 3
1W4-17461-30	11-28	2K6-22214-00	18-18	1W1-24173-00	21-10
1W4-17461-40	11-28	1W1-22216-00	18-12	1W1-24181-00	21-30
1W4-17461-50	11-28	1W1-22219-00	18-11	431-24181-00	16- 6
214-17481-00	10-30	2W6-22221-00	18- 9	1W1-24182-01	21- 2
2K7-18101-00	13- 1	1W1-22223-00	18-20	1W1-24183-00	21-31
3R8-18110-00	13- 6	1W1-22224-00	18-19	156-24186-00	6-20
		1W1-22226-00	18- 5	1W1-24192-00	21-10
1W6-18113-00	13- 8	2W6-22228-00	18-10	3R8-24240-10	21-32
2K7-18122-01	12-26	2X7-22311-00	17-19	2W6-24500-00	21-14
2K7-18141-00	12- 5	2X7-22313-00	33- 3	2W6-24512-00	21-22
2K7-18151-00	12-28	1W6-22318-00	17-20	357-24521-10	21-21
3R8-18162-00	13- 7	3R8-22401-00	18- 3	357-24522-10	21-20
102-18416-00	23-24	1W1-22472-00	18- 7	2W6-24524-00	21-15
2X5-18511-00	12-19	2K6-22489-00	18- 2	2N3-24528-00	21-16
3R8-18512-00	12-20	1W1-22493-00	18- 8	2W6-24529-00	21-17
2X5-18513-00	12-21	1W1-22497-00	18-13	2N3-24535-00	21-19
2K7-18531-00	12-23	3R8-23101-L0	20- 1	2W6-24561-00	21-18
2K7-18535-01	12-25	3R8-23110-L0	20- 8	1K7-24611-01	21-27
2X5-18540-00	12- 1	1W1-23111-L0	20-19	1K7-24612-02	21-28
353-18547-00	12-15	1W1-23114-L0	20-12	509-24724-00	22- 6
2K9-18561-00	12- 3	1W1-23118-L0	20-16	1W1-24738-00	22- 4
3R8-21110-00-33	14- 1	122-23119-01	20-32	1M1-24748-00	22- 3
288-21376-00	3-22	3R8-23126-L0	20- 2	2X7-24771-00	22- 2
2X4-21415-00	14- 2	122-23129-00	20-26	1W2-24833-00	22- 9
2K7-21424-00	14- 9	3R8-23136-L0	20- 3	1W2-24850-00	22- 8
2K7-21427-00	14- 6	3R8-23141-L0	20-14	1W2-24854-00	22-15
2K7-21428-00	14- 7	3R8-23141-10	33- 2	2W6-25104-01	23-14
2K7-21459-00	14- 8	3R8-23141-20	33- 2	1K7-25111-10-98	23- 1
2X7-21471-00	14-23	1W1-23142-L0	20-15	146-25116-00	23- 3
2K7-2148A-00	14-16	1G8-23144-L1	20- 6	1W1-25121-01-98	23- 6
3R8-21511-00	15- 1	1W1-23145-L0	20- 5	322-25130-00	23- 7
1W2-21611-00	15- 6	1W1-23148-L0	20- 7	1W2-25135-00	23-20
2K7-21620-00	15- 9	1W1-23151-L0	20-10	306-25136-00	23-25
1M1-21621-00	15-12	1W1-23156-L0	20- 4	1W2-25138-00	23-23
3R8-21711-00-26	16- 1	509-23158-L0	20-25	1K7-25149-00	23-21
3R8-21721-00-26	16- 7	509-23163-L0	20-24	1E2-25151-00	24-11
3R8-21746-00	16-13	1W1-23168-L0	20-20	322-25151-00	23- 9
565-21746-00	15-13	3R8-23170-L0	20- 9	322-25155-00	23-10
3R8-21747-00	16-14	3R8-23173-L0	20-11	137-25159-00	23-12
3R8-21786-00	16-12	278-23181-50	20-27	1W2-25181-00	23-29
2X7-22110-01-33	17- 1	509-23190-L0	20-21	1W2-25191-00	23-19
1W1-22128-00	18-28	2X3-23191-M0	20-17	1T1-25194-00	23-18
3R4-22129-00	17- 7	509-23194-L0	20-33	431-25304-01	24-21

NUMERICAL INDEX

PART NO.	REF. NO.	PART NO.	REF. NO.
483-25311-13-98	24- 1	3R8-83513-00	27- 2
483-25315-00	24- 6	3R8-83519-00	27- 3
483-25317-01	24- 2	1E6-83524-60	27- 5
1W6-25321-00-98	24- 8	1M1-83526-00	27- 4
2X4-25330-00	24- 9	3R8-83550-00	27-10
148-25353-00	24-15	3R8-83570-F0	27- 1
431-25355-00	24-13	3R8-83570-60	27- 1
148-25359-00	24-12	2K6-83912-00	31- 2
431-25367-00	24-29	2K6-83922-00	31- 9
1W6-25381-00	24-36	802-83923-00	33- 4
1M1-25388-01	24-31	437-83936-00	30- 7
1M1-25389-01	24-32		31-17
1T1-25394-01	24-25	3R8-83973-00	31-15
583-25412-00	24-27	3R8-84110-60	28- 1
583-25444-10	24-26	1W2-84112-60	28- 5
583-25446-10	24-26	527-84114-09	28- 2
583-25448-10	24-26	3R8-84115-60	28- 3
1W1-26111-0-03	25- 1	1W2-84120-60	28- 4
583-26241-00	25- 2	3R8-84130-00	28- 8
583-26242-00	25- 3	3R8-84133-00	28-16
322-26243-00	25- 4	3R8-84141-01	28-11
1W1-26249-00	25- 5	1W2-84144-60	28- 6
322-26281-00-98	25- 6	3R8-84163-00	28-12
322-26282-00-98	25- 7	3R8-84164-00	28-22
3R8-26287-00	25- 9	3R8-84181-00	28-18
1W6-26311-01	25-10	1W2-84324-60	28- 7
2K7-26335-00	25-11	434-84500-64	29- 1
3R8-26341-00	25-13	434-84511-63	29- 9
156-26347-00	25-19	122-84514-30	29- 4
382-26372-01	25-12	434-84515-61	29- 3
	25-14	434-84517-61	29- 5
	26- 6	434-84519-64	29- 8
3R8-27211-00	26-15	434-84521-69	29- 2
2K5-27231-00	26-12	434-84522-62	29- 6
498-27235-00	24-17	434-84524-61	29- 7
1W2-27237-00	26-20	1W2-84525-00	29-11
1W2-27239-00	26- 7	434-84557-60	29-10
3R8-27242-00	26- 1	2X8-85500-20	3- 1
2K7-27311-00	26-24	1M2-85509-20	3- 3
2W6-27411-00-33	26-25	2X9-85512-20	3- 4
2X4-27412-00	26-26	1W6-85513-20	3- 5
2W6-27421-00-33	26-27	2X7-85515-20	3-12
2X7-27422-00	22-16	2X9-85540-20	3-21
1W2-28100-10	22-17	2K7-85547-00	3-23
1W1-28135-10	17- 6	2X9-85550-20	3- 2
648-45533-00-03	3-13	2X9-85580-20	3- 9
104-81328-20	30- 1	341-92090-60	20-18
1M2-82310-40	30- 5	90101-06291	23-11
3R0-82370-20	30- 5		24-14
8E7-82370-11	30- 6	90101-06304	22- 5
3R8-82590-00	25-21	90101-08428	26-28
803-82591-00	31- 1	90102-10006	26- 3
461-82911-00	31- 8	90105-12096	26-31
516-82921-30		90105-14136	19- 5

PART NO.	REF. NO.	PART NO.	REF. NO.
90109-06410	31- 4		
	31-11		
90109-08397	20-28		
90109-08512	6-29		
90109-08532	18-22		
90109-10483	17-38		
90109-14485	12-17		
90116-08218	24- 7		
90116-08262	1- 6		
90116-10258	1-12		
90116-10263	1-11		
90119-06022	21- 9		
90123-08013	25-15		
90123-08046	25-22		
90149-06011	21-24		
90149-08105	10-20		
90149-08108	10-31		
90159-06016	10-13		
90170-08193	24-28		
90170-12067	3-18		
90170-16111	17-12		
90170-20195	10-17		
90170-20213	18-16		
90171-14020	23-31		
90175-06013	26-21		
90179-08148	25-16		
90179-08243	18-23		
90179-10201	1-13		
90179-16007	24-38		
90179-18172	10- 4		
90179-20255	11-30		
90179-25033	19-11		
90185-06062	28-15		
90185-08054	14-14		
90201-06042	13-11		
90201-06067	4-21		
	15- 2		
	15-15		
	17-33		
	22-10		
90201-06407	21- 8		
	28-14		
90201-06571	16- 4		
	16-10		
	28-19		
90201-08083	25-18		
	31- 3		
	31-10		
90201-08092	10-22		
90201-08100	1- 8		
90201-08544	20-31		
90201-12588	13-13		
90201-12593	3-20		

NUMERICAL INDEX

PART NO.	REF. NO.	PART NO.	REF. NO.
90201-12631	24-18		
90201-13202	14-18		
90201-15234	9-27		
90201-15785	23-30		
90201-17327	10-27		
90201-17545	9-21		
90201-20278	11-22		
90201-20613	11-10		
	12-12		
90201-20685	9- 8		
90201-22283	23-22		
90201-25287	11- 4		
	11-15		
90202-06010	21-23		
90209-06187	15- 5		
90209-22082	11- 7		
	11-18		
90209-25085	2-12		
	34- 6		
90215-20125	10-16		
90215-21121	11-29		
90240-06040	26-16		
90240-08012	18-16		
90240-12060	18-25		
90243-08017	13-10		
90280-05013	2-15		
90282-07019	10- 2		
90338-07011	7-12		
90338-32086	12-14		
90380-12051	18- 6		
90380-16056	17- 5		
90386-22097	17- 4		
90387-06388	15-21		
90387-06500	33- 8		
90387-07391	4-20		
90387-07393	21- 7		
90387-08258	6-19		
90387-17431	24-30		
90387-17618	24-16		
90387-25663	11-27		
90430-06016	8-12		
90430-08069	10-32		
90445-08376	7- 9		
90445-09117	21-29		
90445-11182	21-25		
90460-43053	6-12		
90460-51109	4- 8		
90460-68120	4-11		
90460-85138	4-12		
90462-05005	28-17		
	29-14		
	30- 4		
90462-08042	7-20		
90462-08043	7-10		
90462-14055	19-17		
90467-10008	21-26		
90468-12007	27- 6		
90480-12053	16-11		
90480-13018	15-14		
90480-14102	4-19		
90480-14198	15-20		
90480-15058	15-22		
90501-10062	12-16		
90501-10245	26-19		
90501-12081	9-26		
90501-16107	9-10		
90501-24408	10-12		
90501-99479	33- 1		
90501-99481	18-17		
90506-16036	23- 8		
90506-20128	26-14		
90507-20002	24-10		
90507-20030	6- 2		
90507-29008	26- 2		
90508-10386	12-27		
90508-14373	10-28		
90508-14429	26- 8		
90508-20023	26-30		
90508-20415	13- 9		
90508-32061	9-11		
90508-32374	13- 3		
90508-35350	17-37		
90560-12171	13- 2		
90560-12179	13-14		
90560-15116	23- 2		
91316-06020	4- 9		
91316-06045	7- 2		
91316-06065	7- 3		
91316-06070	7- 4		
91316-06075	7- 5		
91401-20012	25-20		
	26-11		
	26-18		
91401-20015	18-24		
91401-20025	26- 5		
91401-25015	24-35		
91401-25022	24-19		
91401-30022	18-27		
91401-30030	23-32		
91609-20014	23-28		
91701-06028	26- 9		
91701-08042	24-33		
91810-05016	7-13		
91830-24016	1-14		
92501-06010	7-19		
92501-06012	6-15		
	28-20		
92501-06014	17-25		
	33- 5		
92501-06015	4-17		
	16- 2		
	16- 8		
	19-18		
92501-06020	3-16		
92501-06025	30- 2		
92501-06030	28-13		
92501-08010	7-17		
92506-06008	8-11		
92506-06025	8- 5		
	8- 8		
92506-06030	8- 3		
92701-06012	7- 7		
	7-15		
	12-10		
92901-03100	4- 5		
	3-11		
	3-15		
92901-04100	3- 8		
	5-12		
	28-10		
	29-12		
92901-05200	17-23		
92901-05600	17-22		
	19-14		
92901-06100	4-23		
	6- 9		
	6-16		
	7-23		
	15- 4		
	15- 8		
	15-11		
	15-17		
	15-19		
	16- 3		
	16- 9		
	17-16		
	17-18		
	17-26		
	17-29		
	17-32		
	19-19		
	21- 5		
	21-12		
	22-12		
	27- 8		
	28-21		

NUMERICAL INDEX

NUMERICAL INDEX

PART NO.	REF. NO.	PART NO.	REF. NO.	PART NO.	REF. NO.	PART NO.	REF. NO.	PART NO.	REF. NO.
92901-06100	30- 3	93306-20205	23- 5	94345-18081	24-24	97302-06020	15- 3		
	31- 7	93306-20310	24- 3	94416-21234	23-13	97310-06016	9-17		
	31-14	93306-20316	24- 4	94421-18238	24-20	97311-06012	17-15		
92901-06200	22-14	93306-20535	11- 2	94585-20102	24-39	97311-08030	9-30		
	26-17	93306-30615	2-13	94685-20001	24-40	97321-06020	13-12		
92901-06600	3-17		2-16	95301-05600	19-15	97321-06030	27- 7		
	4-18	93306-90401	12- 8		29-13	97602-03108	5-14		
	6-10	93310-418E9	2- 5	95301-05700	17-40	98501-03008	4- 4		
	17-27		34- 4	95301-06600	6-17	98501-04005	18- 4		
	17-30	93310-42541	2-11	95301-06700	26-23	98501-04006	3-14		
	21- 6		34- 5	95301-08600	1- 7	98501-04018	3-10		
	26-10	93311-62035	11-12	95301-08700	6-24	98501-05010	17-21		
	27- 9		11-24	95302-10900	26- 4	98501-05016	5-11		
	33- 6	93315-21721	10-25	95311-08600	20-29		28- 9		
92901-08100	6- 5	93315-23208	12-11	95311-08700	10-23	98501-05018	3- 7		
	6-22	93317-22214	17- 3	95601-05100	17-24		19-13		
	6-27	93332-00001	19- 8	95601-06100	22-13	98501-05022	31-16		
	10-21	93332-00008	19- 9		31- 5	98501-05025	3- 6		
	14- 4	93342-22208	17- 2		31-12	98501-05035	17-41		
	14-25	93410-15005	9- 5		33- 7	98503-05015	25- 8		
	20-30	93410-17008	9-22	95601-08100	26-29	98701-05012	12- 4		
92901-08200	6-23	93410-19015	12-13	95701-08100	19- 4				
	6-30	93410-20009	9- 9	95702-08300	14-19				
	14-15	93410-20038	9- 7	95801-08016	14-10				
	14-22		11-11	95811-08090	14-12				
	16- 5		11-23	95811-08100	14-11				
92901-08600	6- 6	93410-22014	23-26	95811-08180	14-13				
	6-28	93430-07012	12-29	95821-08035	19- 7				
	14- 5	93430-08006	12-24	95821-08040	19- 2				
	14-21	93430-10016	9-28	95821-08055	19- 3				
	14-26	93430-15023	26-13	97301-06012	21- 4				
	24-34	93440-25019	11- 5		21-11				
92901-12100	3-19		11-16	97301-06014	7-22				
92901-12600	18-26	93440-32017	12- 6		15- 7				
92901-16100	17-13	93440-50058	18-21		15-10				
	24-37	93450-19052	2- 4		15-16				
92901-18100	10- 3		34-11		17-28				
92902-03600	5-15		34-16	97301-06016	6- 8				
93101-12004	13- 4		34-21	97301-06018	22-11				
93102-17004	10-26		34-26	97301-06020	17-31				
93102-25030	24- 5		34-31		26-22				
93102-32136	11-26	93507-32009	9-25	97301-06022	31- 6				
93103-30092	2-14	93515-32029	10-19		31-13				
93103-40091	2-17	93604-08071	12- 7	97301-06025	4-22				
93104-14044	17-39	93604-18100	12- 2		15-18				
93105-40020	23-27	93604-26132	18-14	97301-06035	22- 7				
93108-35004	17- 8	93606-14154	12-22	97301-06055	17-17				
93109-20014	9-19	93608-30128	13- 5	97301-08016	6-26				
93109-22018	17- 9	94130-21561	23-15		14-24				
93210-14104	8-10	94151-18562	24-22	97301-08020	6- 4				
93210-29282	10- 5	94230-21126	23-16	97301-08025	14- 3				
93304-20501	11-25	94245-18125	24-23	97301-08035	6-21				
93306-20203	23- 4	94330-21088	23-17	97301-08055	14-20				



## PARTS NAME INDEX

DESCRIPTION	REF. NO.
ABSORBER 1	1- 2
*	1- 3
*	32- 1
ABSORBER 3	1-15
AIR VALVE COMP.	20-21
ARM, float	5- 7
ARM, tensioner	17-34
AXLE, drive	11-13
AXLE, kick	9- 1
AXLE, main (12T)	11- 1
AXLE, wheel	23-29
*	24-36
BALL	9-25
*	10-19
BAND	25-21
BAND, boot	20-18
BAND, rim (3.00-21)	23-17
BAND, rim (4.50-18)	24-24
BAND, switch cord	30- 7
*	31-17
BAND, tank fitting 1	21-13
BAND, tool	3-22
BAR, shift fork guide 1	12-23
BAR, shift fork guide 2	12-25
BASE, magneto	3- 3
BASE, taillight	29- 9
BEARING	17- 2
*	19- 8
*	19- 9
BEARING (B4205)	11-25
BEARING (B6202)	23- 5
BEARING (B6202RS)	23- 4
BEARING (B6203)	24- 4
BEARING (B6203RS)	24- 3
BEARING (B6205)	11- 2
BEARING (B6306)	2-13
*	2-16
BEARING (B6904)	12- 8
BEARING, cylindrical	2- 5
*	2-11
*	10-25
*	11-12
*	11-24
*	12-11
*	17- 3
*	34- 4
*	34- 5
BODY ASSY, headlight	28- 8
BODY, cap	21-27
BODY, float chamber 1	5- 2
BOLT	4- 9
*	4-22

## PARTS NAME INDEX

DESCRIPTION	REF. NO.
BOLT	6- 4
*	6- 8
*	6-21
*	6-26
*	6-29
*	7- 2
*	7- 3
*	7- 4
*	7- 5
*	7-22
*	9-17
*	9-30
*	12-17
*	13-12
*	14- 3
*	14-20
*	14-24
*	15- 3
*	15- 7
*	15-10
*	15-16
*	15-18
*	17-15
*	17-17
*	17-28
*	17-31
*	17-38
*	18-22
*	20-28
*	21- 4
*	21-11
*	22- 5
*	22- 7
*	22-11
*	23-11
*	24-14
*	25-15
*	25-22
*	26-22
*	26-28
*	27- 7
*	31- 4
*	31- 6
*	31-11
*	31-13
BOLT, cap	20-19
BOLT, flange	14-10
*	14-11
*	14-12
*	14-13
*	19- 2
*	19- 3
*	19- 7

## PARTS NAME INDEX

DESCRIPTION	REF. NO.
BOLT, hexagon socket head	20-27
BOLT, stud	1- 6
*	1-11
*	1-12
*	24- 7
BOLT, washer based	19- 5
*	26-31
BOLT, with hole	26- 3
BOLT, with washer	21- 9
BOOT	20-17
BOSS, clutch	10- 8
BOSS, engine mount	14- 9
BOSS, kick crank	9-24
BRACKET, carrier 2	22- 9
BRACKET, footrest 1	26-25
BRACKET, footrest 2	26-27
BRACKET, front upper 1	14- 2
BRACKET, fuel tank 2	21-10
BRACKET, lower 1	28-18
BRACKET, meter	27- 3
BRACKET, rear lower 1	14- 6
BRACKET, rear lower 2	14- 7
BRACKET, seat	22- 3
*	22- 4
BRACKET, taillight	29- 8
BRACKET, upper	18-11
BRAKE SHOE COMP.	23- 7
*	24- 9
BULB (6V-17/5.3W)	29- 4
BULB (6V-25/25W)	28- 2
BUSH	5-39
*	17- 4
*	23-25
BUSH, rear shock absorber	18-12
BUSH, shock absorber lower	18- 5
BUSH, solid	17- 5
*	18- 6
C.D.I. MAGNETO ASSY	3- 1
C.D.I. UNIT ASSY	3-21
CABLE, brake	25-13
CABLE, clutch	25-11
CABLE, throttle 1	25-10
CAMSHAFT	23- 9
*	24-11
CAP	5-19
*	5-36
CAP, case	18- 7
CAP, cleaner case 1	4-14
CAP, grip lower	25- 7
CAP, grip upper	25- 6
CAP, plunger	5-42
CAP, silencer	32- 3
CARBURETOR ASSY 1	5- 1

## PARTS NAME INDEX

DESCRIPTION	REF. NO.
CARRIER BOX ASSY	22- 8
CASE, air cleaner 1	4-13
CASE, chain	17-19
CHAIN (DID520TR-102L)	24-39
CIRCLIP	2- 4
*	9- 5
*	9- 7
*	9- 9
*	9-22
*	9-28
*	11- 5
*	11-11
*	11-16
*	11-23
*	12- 6
*	12-13
*	12-24
*	12-29
*	18-21
*	23-26
*	26-13
*	34-11
*	34-16
*	34-21
*	34-26
*	34-31
CLAMP	3-13
*	7-10
*	7-20
*	19-17
*	28-17
*	29-14
*	30- 4
CLAMP, hose	4- 8
*	4-11
*	4-12
*	6-12
CLIP	5-21
*	5-34
*	5-40
*	21-26
*	27- 6
CLIP, oil seal	20- 4
CLUTCH ASSY	10- 6
CLUTCH, meter	23-21
COIL, lighting 1	3- 5
COIL, Pulser	3- 9
COIL, source	3- 4
COLLAR	4-20
*	6-19
*	11-27
*	15-21
*	21- 7

## PARTS NAME INDEX

DESCRIPTION	REF. NO.
COLLAR	24-16
*	24-30
*	29-10
*	33- 8
COLLAR, lever 2	33- 4
COLLAR, screw	28-16
CONNECTING ROD ASSY	34- 1
CONNECTOR	5-44
CONNECTOR, suction Pipe	7- 8
CORD, taillight	29- 5
COVER, ball race 2	19-10
COVER, bump stop	18- 9
COVER, cap grip	25- 9
COVER, crankcase 1	8- 1
COVER, crankcase 2	8- 4
COVER, crankcase 3	8- 6
COVER, dust	26-12
COVER, dust seal	20- 7
COVER, handle lever	25-12
*	25-14
COVER, headlight	28- 6
COVER, hub dust	24-29
COVER, kick lever	9-29
COVER, Plunger cap	5-41
COVER, seat	22- 2
COVER, shift Pedal	13- 8
COVER, side (L.H)	16- 1
COVER, side (R.H)	16- 7
COVER, spring	9- 4
*	9-13
COVER, thrust 1	18-28
COVER, thrust 2	17- 7
CRANK 1	2- 7
CRANK 2	2- 8
CRANKCASE 1	7- 1
CRANKCASE 2	7-11
CRANKSHAFT ASSY	2- 6
CROWN, handle	19- 1
CUP, filter	21-21
CYLINDER COMP., front fork	20- 9
CYLINDER 1	1- 9
DAMPER	3-23
*	16-13
*	16-14
*	22-15
*	27- 2
*	28-12
*	28-22
DAMPER 2	27- 4
DAMPER, locating 1	16- 6
*	21-30
DAMPER, locating 2	21- 2
DAMPER, locating 3	21-31

## PARTS NAME INDEX

DESCRIPTION	REF. NO.
DAMPER, muffler	6-18
DAMPER, seat	22- 6
DUMPER SUB ASSY	18- 3
ELEMENT ASSY, air cleaner	4-16
EMBLEM 6	16-12
EMBLEM, headlight	28-11
EXHAUST PIPE ASSY 1	6- 1
FENDER, front	15- 1
FENDER, rear	15- 6
FLANGE, spacer	24- 6
FLANGE, spacer 2	23- 3
FLAP	15-12
FLOAT	5-28
FOOTREST 1	26-24
FOOTREST 2	26-26
FORK, shift 1	12-19
FORK, shift 2	12-20
FORK, shift 3	12-21
FRAME COMP	14- 1
FRONT FORK ASSY	20- 1
FUEL COCK ASSY 1	21-14
FUEL TANK COMP.	21- 1
GASKET	5-17
*	8-12
*	10-32
*	12-18
*	20-12
*	20-25
*	21-20
GASKET, cap	21-28
GASKET, crankcase cover	8- 2
GASKET, crankcase cover 3	8- 7
GASKET, cylinder	1-10
GASKET, cylinder head 1	1- 4
GASKET, drain Plug	20-26
GASKET, float chamber	5- 3
GASKET, muffler	6-11
GASKET, valve seat	4- 6
GEAR, drive	23-20
GEAR, kick (24T)	9- 2
GEAR, kick idle (22T)	9-20
GEAR, meter	23-23
GEAR, Primary drive (23T)	10- 1
GEAR, 1st wheel (32T)	11-21
GEAR, 2nd Pinion (16T)	11- 9
GEAR, 2nd wheel (28T)	11-14
GEAR, 3rd Pinion (19T)	11- 6
GEAR, 3rd wheel (25T)	11-19
GEAR, 4th Pinion (22T)	11- 3
GEAR, 4th wheel (22T)	11-20
GEAR, 5th Pinion (28T)	11- 8
GEAR, 5th wheel (22T)	11-17
GRAPHIC SET	21-32

## PARTS NAME INDEX

DESCRIPTION	REF. NO.
GRIP (L.H)	25- 2
GRIP (R.H)	25- 3
GROMMET	4-19
*	15-14
*	15-20
*	15-22
*	16-11
GUARD, chain	17-14
*	17-20
GUIDE, cable	5-20
*	20-23
GUIDE, chain	17-35
GUIDE, ratchet wheel	9-14
GUIDE, sPring	9-12
GUIDE, sPring 1	18-18
GUIDE, sPring 2	18-19
HANDLEBAR	25- 1
HEAD, cylinder 1	1- 1
HEADLIGHT UNIT ASSY	28- 1
HOLDER	7-16
HOLDER, cable	19-16
*	20-22
HOLDER, cable 1	19-12
HOLDER, clutch cable	7-21
HOLDER, damPer	21- 3
HOLDER, handle uPPer	19- 6
HOLDER, lever 1	31- 1
HOLDER, lever 2	31- 8
HOSE	7- 9
*	21-25
*	21-29
HOUSING, gear	23-19
HUB, front	23- 1
HUB, rear	24- 1
IGNITION COIL ASSY	30- 1
INNER TUBE COMP.1	20- 8
JET, main (#405)	5- 6
JET, main (#410)	5- 6
JET, main (#415)	5- 6
JET, Pilot (#60.0)	5- 4
JOINT, air cleaner 1	4-10
JOINT, cable	25-19
JOINT, carburetor	4- 7
JOINT, chain	24-40
KEY, straight	10- 2
KEY, woodruff	2-15
KICK CRANK ASSY	9-23
LEAD WIRE ASSY	3-12
LENS ASSY	28- 4
LENS, taillight	29- 2
LEVER 1	31- 2
LEVER 2	31- 9
LEVER, camshaft	24-13

## PARTS NAME INDEX

DESCRIPTION	REF. NO.
LEVER, camshaft 1	23-10
LEVER, cock	21-15
LEVER, shift 2	12-26
LEVER, shift 3	12-28
LEVER, starter 1	5-45
MUD GUARD COMP.	15- 9
NEEDLE	5-30
NEEDLE VALVE ASSY	5- 8
NET, filter	21-18
NOZZLE, main	5- 5
NUT	1- 7
*	1-13
*	3-18
*	6-17
*	6-24
*	10- 4
*	10-17
*	10-23
*	11-30
*	17-12
*	17-40
*	18-16
*	18-23
*	19-11
*	19-15
*	20-29
*	24-28
*	24-38
*	25-16
*	26-23
*	29-13
NUT, adjusting	18-13
NUT, cable adjusting	5-18
*	5-26
NUT, castle	23-31
NUT, flange	14-19
*	19- 4
NUT, self-locking	14-14
*	28-15
NUT, slotted	26- 4
NUT, u	17-24
*	22-13
*	26-29
*	31- 5
*	31-12
*	33- 7
NUT, wing	26-21
O-RING	5-33
*	8-10
*	10- 5
*	20-24
*	21-16
*	21-22

## PARTS NAME INDEX

DESCRIPTION	REF. NO.
OIL SEAL	2-14
*	2-17
*	9-19
*	10-26
*	11-26
*	13- 4
*	17- 8
*	17- 9
*	17-39
*	20- 5
*	23-27
*	24- 5
PEDAL, brake	26- 6
*	26- 7
PEDAL, shift	13- 7
PIN	13-10
PIN, clevis	18-25
*	24-17
*	24-33
*	25-17
*	26- 9
*	26-16
PIN, cotter	18-24
*	18-27
*	23-32
*	24-19
*	24-35
*	25-20
*	26- 5
*	26-11
*	26-18
PIN, crank 1	2- 9
*	34- 3
PIN, dowel	1-14
*	7-13
*	12- 2
*	12- 7
*	12-22
*	13- 5
*	18-14
PIN, float	5- 9
PIN, piston	2- 3
*	34-10
*	34-15
*	34-20
*	34-25
*	34-30
PIN, sPring	23-28
PIPE	5-13
*	5-46
PIPE, choke	32- 2
PIPE, outlet	6-14

## PARTS NAME INDEX

DESCRIPTION	REF. NO.
PISTON (STD)	2- 1
*	2- 1
*	34- 8
PISTON (1ST O/S 0.25MM)	2- 1
*	34-13
PISTON (2ND O/S 0.50MM)	2- 1
*	34-18
PISTON (3RD O/S 0.75MM)	2- 1
*	34-23
PISTON (4TH O/S 1.00MM)	2- 1
*	34-28
PISTON ASSY (STD)	34- 7
PISTON ASSY (1ST O/S)	34-12
PISTON ASSY (2ND O/S)	34-17
PISTON ASSY (3RD O/S)	34-22
PISTON ASSY (4TH O/S)	34-27
PISTON RING SET (STD)	2- 2
*	34- 9
PISTON RING SET (1ST O/S)	2- 2
*	34-14
PISTON RING SET (2ND O/S)	2- 2
*	34-19
PISTON RING SET (3RD O/S)	2- 2
*	34-24
PISTON RING SET (4TH O/S)	2- 2
*	34-29
PLATE	5-29
*	5-47
*	7-18
PLATE, bearing cover	7- 6
*	7-14
*	12- 9
PLATE, brake shoe	23- 6
*	24- 8
PLATE, clutch 2	10-10
PLATE, friction	10-11
PLATE, Pressure 1	10- 9
PLATE, side 1	12- 3
PLATE, starter sPring	5-38
PLATE, stopPer	12- 5
PLATE, thrust 1	10-15
PLUG	7-12
*	12-14
PLUG CAP ASSY	30- 5
*	30- 5
PLUG, blind	10-30
PLUG, drain	20-32
PLUG, oil level	8- 9
PLUG, screw	5-32
PLUG, sPark (CHAMPION N3)	1- 5
PLUNGER, starter	5-37
PRIMARY DRIVEN GEAR COMP.(60T)	10- 7
PROTECTOR, engine	14-23

## PARTS NAME INDEX

DESCRIPTION	REF. NO.
PULLER, chain 1	24-31
PULLER, chain 2	24-32
PUSH LEVER ASSY	10-29
REAR ARM COMP.	17- 1
REED VALVE ASSY	4- 1
REED, valve	4- 2
RIM (1.60-21)	23-13
RIM (2.15-18)	24-20
RIM, headlight	28- 3
RIM, taillight	29- 3
RING, leaf	25- 5
ROD, brake	26-15
ROD, connecting	2-10
*	34- 2
ROD, Push	18- 2
ROD, Push 1	10-18
ROD, Push 2	10-24
ROTOR ASSY	3- 2
RUBBER, chain case	33- 3
SCREW	10-20
*	10-31
*	21-24
SCREW, air adjusting	5-23
SCREW, boot band	20-33
SCREW, flat head	7- 7
*	7-15
*	12- 4
*	12-10
SCREW, lens fitting	29- 7
SCREW, lever fitting	21-19
SCREW, Pan head	3- 6
*	3- 7
*	3-10
*	3-14
*	3-16
*	4- 4
*	4-17
*	5-11
*	6-15
*	7-17
*	7-19
*	8- 3
*	8- 5
*	8- 8
*	8-11
*	16- 2
*	16- 8
*	17-21
*	17-25
*	17-41
*	18- 4
*	19-13

## PARTS NAME INDEX

DESCRIPTION	REF. NO.
SCREW, Pan head	19-18
*	25- 8
*	28- 9
*	28-13
*	28-20
*	30- 2
*	31-16
*	33- 5
SCREW, Pan head with washer	5-14
SCREW, throttle	5-25
SCREW, with washer	10-13
SEAL	4-15
SEAL, camshaft	23-12
*	24-12
SEAL, dust	20- 6
SEAL, Guard	17-10
SEAL, mud Guard	15-13
SEAT, sPring	5-35
*	26-20
SEAT, sPring lower	18-20
SEAT, sPring upper	18-15
*	20-15
SEMI-DOUBLE SEAT ASSY	22- 1
SHAFT	14-16
SHAFT, Pivot	17-11
SHIFT CAM ASSY	12- 1
SHIFT PEDAL ASSY	13- 6
SHIFT SHAFT ASSY	13- 1
SHIM	9- 6
SHIM (0.3T)	17- 6
SHIM, camshaft	24-15
SHIM, rod	23-24
SHOCK ABSORBER ASSY, rear	18- 1
SILENCER, exhaust	6-13
SOCKET	28- 5
SPACER	13- 2
*	13-14
*	14- 8
*	20-16
*	23- 2
SPACER 1	10-14
SPACER, bead	23-18
*	24-25
SPACER, bearing	24- 2
SPANNER, sPecial	22-17
SPEEDOMETER ASSY	27- 1
*	27- 1
SPEEDOMETER CABLE ASSY	27-10
SPINDLE, taPer	20-11
SPOKE SET, front	23-14
SPOKE SET, rear	24-21
SPRING	21-17
SPRING, comPrission	9-10

## PARTS NAME INDEX

DESCRIPTION	REF. NO.
SPRING, compression	9-26
*	10-12
*	12-16
*	18-17
*	26-19
*	33- 1
SPRING, front fork	20-14
*	33- 2
*	33- 2
SPRING, lens fitting	28- 7
SPRING, plunger	5-43
SPRING, tension	6- 2
*	23- 8
*	24-10
*	26- 2
*	26-14
SPRING, throttle stop	5-22
SPRING, throttle valve	5-16
SPRING, torsion	9-11
*	10-28
*	12-27
*	13- 3
*	13- 9
*	17-37
*	26- 8
*	26-30
SPROCKET, drive (13T)	11-28
SPROCKET, drive (14T)	11-28
SPROCKET, drive (15T)	11-28
SPROCKET, driven (44T)	24-26
SPROCKET, driven (46T)	24-26
SPROCKET, driven (48T)	24-26
STAND, side	26- 1
STAY 4	6- 3
*	6-25
STAY, muffler 1	6- 7
STOPPER	9-16
*	9-18
STOPPER, bump	18- 8
STOPPER, cam	12-15
STOPPER, reed valve	4- 3
SUB, spring	20-10
SUPPORT, bump stop	18-10
SWITCH, handle 3	31-15
TAILLIGHT ASSY	29- 1
TENSIONER	14-17
*	17-36
TIRE (3.00-21)	23-15
TIRE (5.10-18)	24-22
TOOL KIT	22-16
TOP, mixing chamber	5-24
TUBE (3.00-21)	23-16
TUBE (4.50-18)	24-23

## PARTS NAME INDEX

DESCRIPTION	REF. NO.
TUBE, outer 1	20- 2
TUBE, outer 2	20- 3
TUBE, throttle guide	25- 4
UNDER BRACKET COMP.	20-13
VALVE, throttle 1	5-27
WASHER	2-12
*	5-15
*	11- 7
*	11-18
*	15- 5
*	24-27
*	29- 6
*	34- 6
WASHER, lock	9-15
*	10-16
*	11-29
WASHER, main jet	5-31
WASHER, needle valve	5-10
WASHER, outer tube	20-20
WASHER, plain	6-23
*	6-30
*	14-15
*	14-22
*	16- 5
*	17-23
*	22-14
*	26-17
WASHER, plate	1- 8
*	3-17
*	3-20
*	4-18
*	4-21
*	6- 6
*	6-10
*	6-28
*	9- 8
*	9-21
*	9-27
*	10-22
*	10-27
*	11- 4
*	11-10
*	11-15
*	11-22
*	12-12
*	13-11
*	13-13
*	14- 5
*	14-18
*	14-21
*	14-26
*	15- 2
*	15-15

## PARTS NAME INDEX

DESCRIPTION	REF. NO.
WASHER, plate	16- 4
*	16-10
*	17-22
*	17-27
*	17-30
*	17-33
*	18-26
*	19-14
*	20-31
*	21- 6
*	21- 8
*	21-23
*	22-10
*	23-22
*	23-30
*	24-18
*	24-34
*	25-18
*	26-10
*	27- 9
*	28-14
*	28-19
*	31- 3
*	31-10
*	33- 6
WASHER, special	6-20
*	27- 5
*	29-11
WASHER, spring	3- 8
*	3-11
*	3-15
*	3-19
*	4- 5
*	4-23
*	5-12
*	6- 5
*	6- 9
*	6-16
*	6-22
*	6-27
*	7-23
*	10- 3
*	10-21
*	14- 4
*	14-25
*	15- 4
*	15- 8
*	15-11
*	15-17
*	15-19
*	16- 3
*	16- 9

PARTS NAME INDEX

DESCRIPTION	REF. NO.
WASHER, sPring	17-13
*	17-16
*	17-18
*	17-26
*	17-29
*	17-32
*	19-19
*	20-30
*	21-5
*	21-12
*	22-12
*	24-37
*	27-8
*	28-10
*	28-21
*	29-12
*	30-3
*	31-7
*	31-14
WHEEL, ratchet	9-3
WIRE HARNESS ASSY	30-6