

YAMAHA

PARTS CATALOGUE

IT465H (4V6)

114V6-300E1



FOREWORD

This Parts Catalogue is related to the parts in use for the Yamaha IT 465H (4V6).
When you are ordering replacement parts for the IT 465H (4V6), refer to this Parts Catalogue and quote both part numbers and part names correctly.

1. Modifications or additions which have been made after issue of the Parts Catalogue will be announced in the Yamaha Parts News.

It is advisable that according to the Yamaha Parts News you make necessary corrections to the Parts Catalogue on hand to keep it up-to-date.

2. Abbreviations

The following abbreviations are used in this Parts Catalogue.

- U.R. Use size (thickness) and/or number as required.
- U.N. Use as many as you need.
- A.P. Alternate Parts
- L.M. Local Made
- F# Frame No. (Applicable machine No.)

3. The parts marked with (*) in the parts number column of this Catalogue are not supplied with by Yamaha, those have to be found locally.
4. Parts, which are to be supplied in the form of assemblies, are listed with an indentation of one letter's space, and a dot (.) is put against the name of each part.

EXAMPLE CARBURETOR ASS'Y
 . JET, pilot
 . NOZZLE, main

5. Indication of No. of constituent parts for assembly

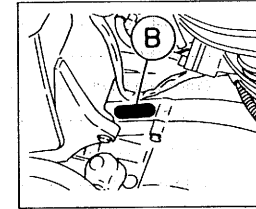
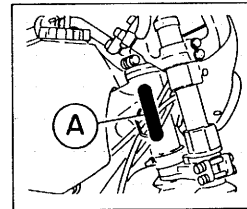
The numeral appearing to the right of each constituent part under the description indicates the quantity of such parts for each individual assembly unit.

EXAMPLE

Part No.	Description	Q'ty	Remarks
2F5-83310-60	FRONT FLASHER LIGHT ASS'Y	2	
115-83311-60	. BULB (6V-18W)	1	
1M1-83309-60	. REFLECTOR	1	

6. Initial Serial No. and Color Code

(A) Frame Serial No.	4V6-000101 and following
(B) Engine Serial No.	4V6-000101 and following



Color Code	Color Name	Abbreviate
	Sky Blue	

7. Applicable colors of graphics are represented in the "Remarks" column by the letter(s) appropriately picked out of the full word(s) showing such colors.

EXAMPLE

Part No.	Description	Q'ty	Remarks
2N4-24110-00-X5	FUEL TANK COMP.	1	MAXIM RED
3J1-24240-10	. GRAPHIC, fuel tank set	1	for MXR

CONTENTS

ENGINE

Fig. 1	Cylinder	1
Fig. 2	Crankshaft · Piston	2
Fig. 3	C.D.I. Magneto	3
Fig. 4	Intake	4
Fig. 5	Carburetor	5
Fig. 6	Exhaust	7
Fig. 7	Crankcase	8
Fig. 8	Crankcase Cover	9
Fig. 9	Kick Starter	10
Fig. 10	Clutch	11
Fig. 11	Transmission	13
Fig. 12	Shift Cam · Fork	15
Fig. 13	Shift Shaft · Pedal	16

CHASSIS

Fig. 14	Frame	17
Fig. 15	Front Fender · Rear Fender	18
Fig. 16	Side Cover	19
Fig. 17	Rear Arm	20
Fig. 18	Rear Suspension	22
Fig. 19	Steering	24
Fig. 20	Front Fork	25
Fig. 21	Fuel Tank	27
Fig. 22	Seat	29
Fig. 23	Front Wheel	30
Fig. 24	Rear Wheel	32
Fig. 25	Handlebar · Cable	34
Fig. 26	Stand · Footrest	36
Fig. 27	Meter	38
Fig. 28	Headlight	39

Fig. 29	Taillight	40
Fig. 30	Electrical 1	41
Fig. 31	Handle Switch · Lever	42

ALTERNATE PARTS

Fig. 32	Alternate (Chassis)	43
---------	---------------------	----

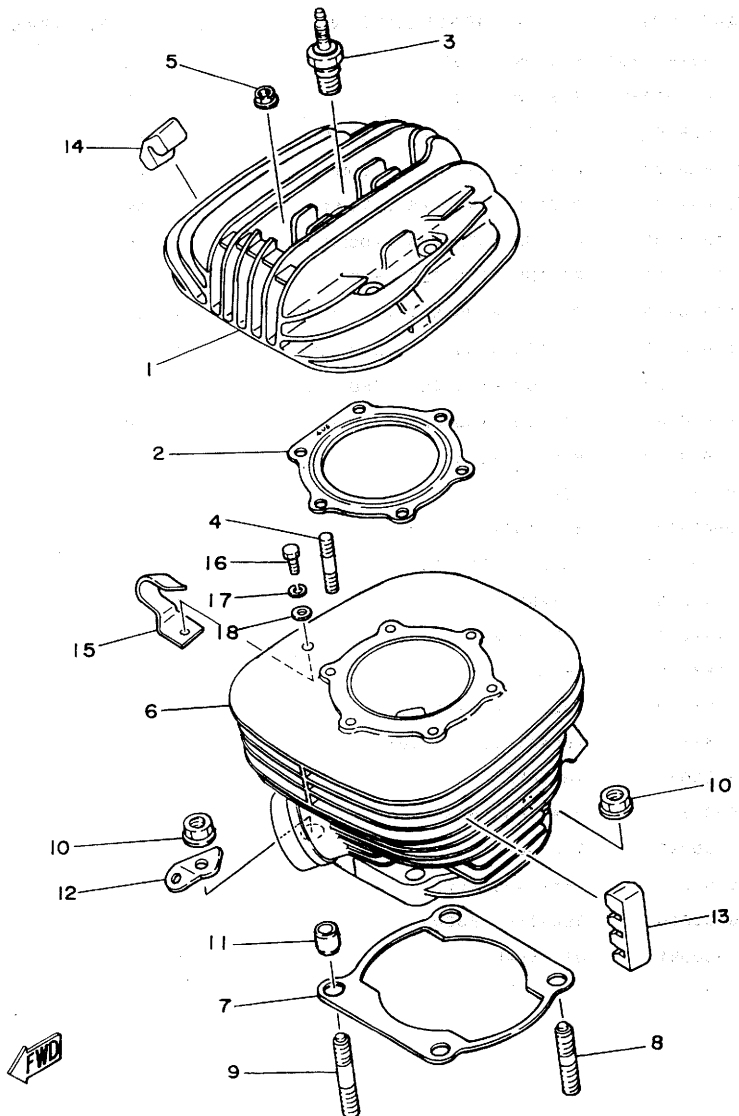
REPAIR KIT

Fig. 33	Repair Kit	44
---------	------------	----

INDEX

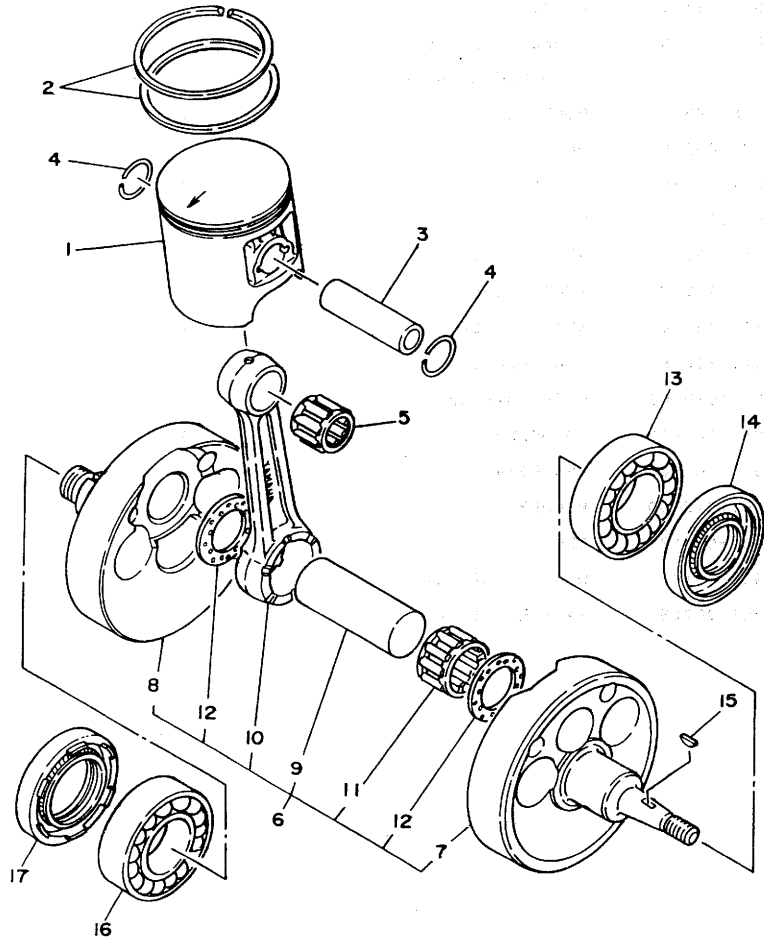
Numerical Index
Parts Name Index

FIG. 1 CYLINDER



REF. NO.	PART NO.	DESCRIPTION	Q'TY	REMARKS
1	3R5-11111-00	HEAD, cylinder 1	1	
2	4V6-11181-00	GASKET, cylinder head 1	1	
3	*	PLUG, spark (CHAMPION N3)	1	LM
4	90116-08321	BOLT, stud	6	
5	90179-08299	NUT	6	
6	4V6-11311-00	CYLINDER 1	1	
7	3R5-11351-00	GASKET, cylinder	1	
8	90116-12315	BOLT, stud	2	
9	90116-12316	BOLT, stud	2	
10	95701-12100	NUT, flange	4	
11	91810-17016	PIN, dowel	2	
12	3R5-14619-00	HOOK, spring	1	
13	2N6-11127-00	ABSORBER 3	2	
14	4V5-11161-00	ABSORBER 1	1	
15	4V5-1131E-00	HOLDER 1	1	
16	97301-06016	BOLT	1	
17	92901-06100	WASHER, spring	1	
18	90201-06709	WASHER, Plate	1	

FIG. 2 CRANKSHAFT•PISTON

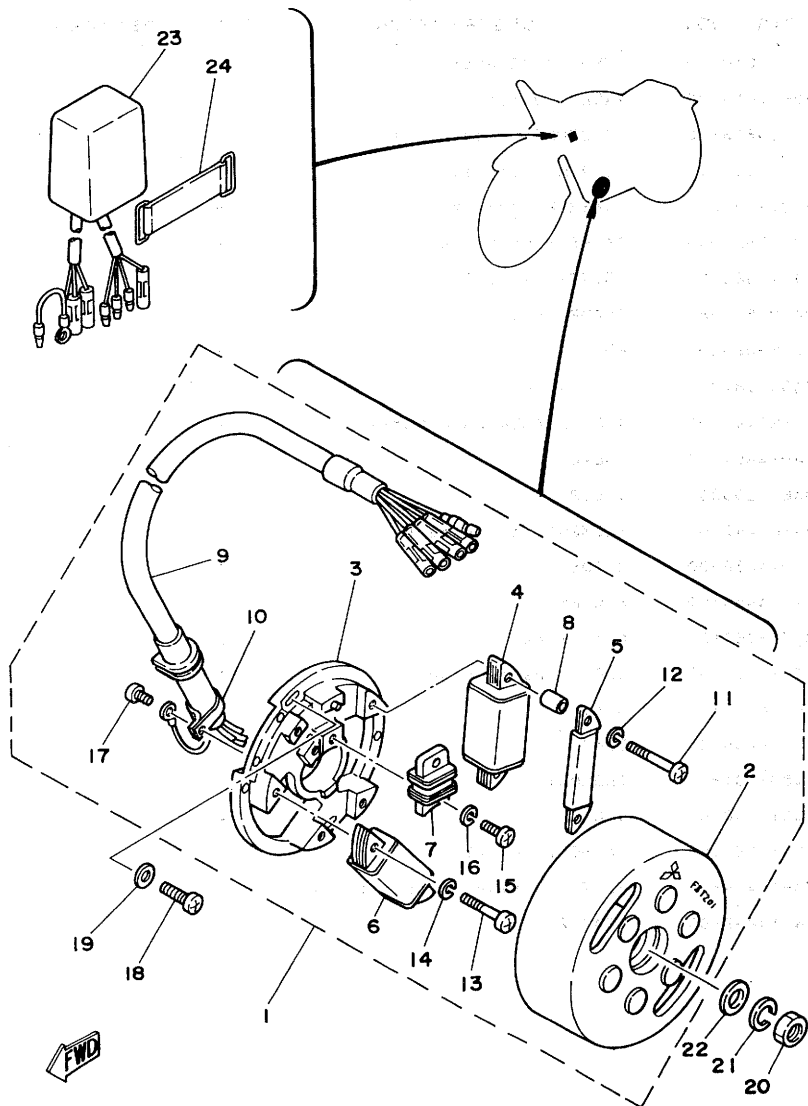


REF. NO.	PART NO.	DESCRIPTION	Q'TY	REMARKS
1	4V6-11631-00-94	PISTON (STD)	1	UR
	4V6-11631-00-96	PISTON (STD)	1	UR
2	4V6-11635-00	PISTON (1ST O/S 0.25MM)	1	AP
3	4V6-11636-00	PISTON (2ND O/S 0.50MM)	1	AP
4	4V6-11637-00	PISTON (3RD O/S 0.75MM)	1	AP
	4V6-11638-00	PISTON (4TH O/S 1.00MM)	1	AP
2	4V6-11610-00	PISTON RING SET (STD)	1	
	4V6-11610-10	PISTON RING SET (1ST O/S)	1	AP
	4V6-11610-20	PISTON RING SET (2ND O/S)	1	AP
	4V6-11610-30	PISTON RING SET (3RD O/S)	1	AP
	4V6-11610-40	PISTON RING SET (4TH O/S)	1	AP
3	275-11633-00	PIN, Piston	1	
4	93450-19052	CIRCLIP	2	
5	93310-418E9	BEARING, cylindrical	1	
6	4V6-11400-00	CRANKSHAFT ASSY	1	
7	4V6-11412-00	•CRANK 1	1	
8	4V6-11422-00	•CRANK 2	1	
9	3R5-11681-00	•PIN, crank 1	1	
10	3R5-11651-00	•ROD, connecting	1	
11	93310-42541	•BEARING, cylindrical	1	
12	90209-25085	•WASHER	2	
13	93306-30615	BEARING (B6306)	1	
14	93103-30092	OIL SEAL	1	
15	90280-03017	KEY, woodruff	1	
16	93306-30615	BEARING (B6306)	1	
17	93103-40091	OIL SEAL	1	



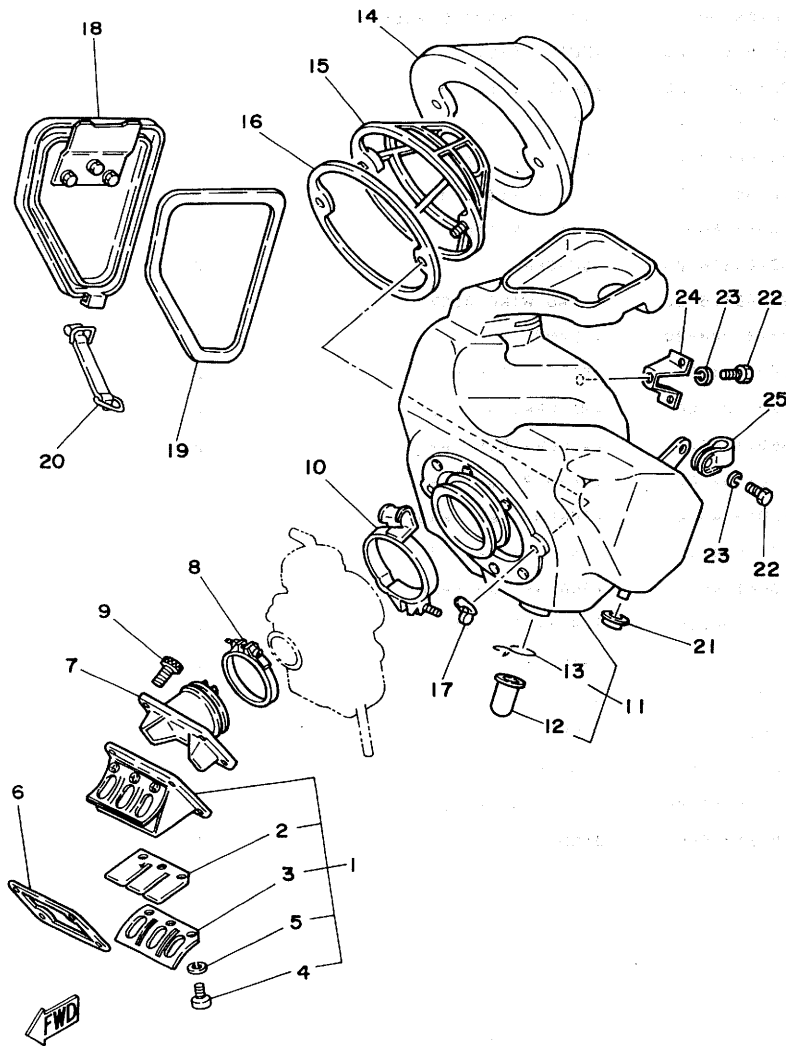
FIG. 3 C.D.I MAGNETO

REF. NO.	PART NO.	DESCRIPTION	Q'TY	REMARKS
1	4V6-85500-20	C.D.I. MAGNETO ASSY	1	
2	3R5-85550-20	•ROTOR ASSY	1	
3	3R5-85509-20	•BASE, magneto	1	
4	3R5-85511-20	•COIL, source	1	
5	3R5-85512-20	•COIL, source	1	
6	4V6-85513-20	•COIL, lighting 1	1	
7	4V6-85580-20	•COIL, Pulser	1	
8	1W2-85516-20	•SPACER	2	
9	4V6-85515-20	•LEAD WIRE ASSY	1	
10	104-81328-20	•CLAMP	1	
11	98501-04035	•SCREW, Pan head	2	
12	92901-04100	•WASHER, sPring	2	
13	98501-04030	•SCREW, Pan head	2	
14	92901-04100	•WASHER, sPring	2	
15	98501-04014	•SCREW, Pan head	1	
16	92901-04100	•WASHER, sPring	1	
17	110-81345-21	•SCREW, Pan head	1	
18	92501-06020	SCREW, Pan head	2	
19	92901-06600	WASHER, Plate	2	
20	90170-12067	NUT	1	
21	92901-12100	WASHER, sPring	1	
22	90201-12593	WASHER, Plate	1	
23	3R5-85540-20	C.D.I. UNIT ASSY	1	
24	288-21376-00	BAND, tool	1	



B4

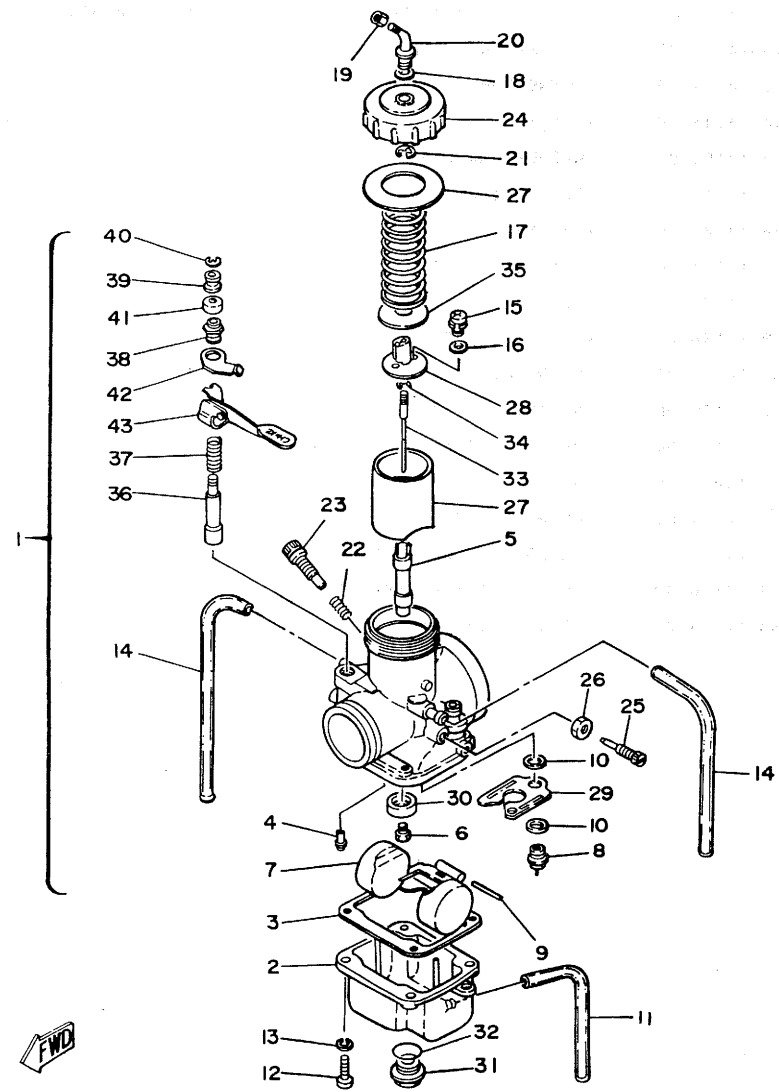
FIG. 4 INTAKE



REF. NO.	PART NO.	DESCRIPTION	Q'TY	REMARKS
1	3R5-13610-00	REED VALVE ASSY	1	
2	3R5-13613-00	•REED, valve	1	
3	2X5-13616-00	•STOPPER, reed-valve	2	
4	98501-03008	•SCREW, Pan head	6	
5	92901-03100	•WASHER, sPring	6	
6	2K7-13621-00	GASKET, valve seat	1	
7	3R4-13565-00	JOINT, carburetor	1	
8	90460-51109	CLAMP, hose	1	
9	91316-06020	BOLT	4	
10	90460-68120	CLAMP, hose	1	
11	4V5-W1441-00	AIR CLEANER CASE COMP.	1	
12	1W4-14457-00	•SEAL	1	
13	90467-20030	•CLIP	1	
14	3R4-W1442-01	ELEMENT, air cleaner	1	
15	3R4-14458-00	GUIDE	1	
16	4V4-14459-00	HOLDER, guide	1	
17	90175-06012	NUT, wing	2	
18	4V5-14412-00	CAP, cleaner case 1	1	
19	4V5-14452-01	SEAL	1	
20	4V5-14455-00	BAND	1	
21	90480-13197	GROMMET	1	
22	97301-06016	BOLT	4	
23	92901-06100	WASHER, sPring	4	
24	4V4-14484-00	PLATE, cleaner case fitting	1	
25	4V4-14499-00	STAY 2	1	

P.R. 8106
Jan 01

FIG. 5 CARBURETOR

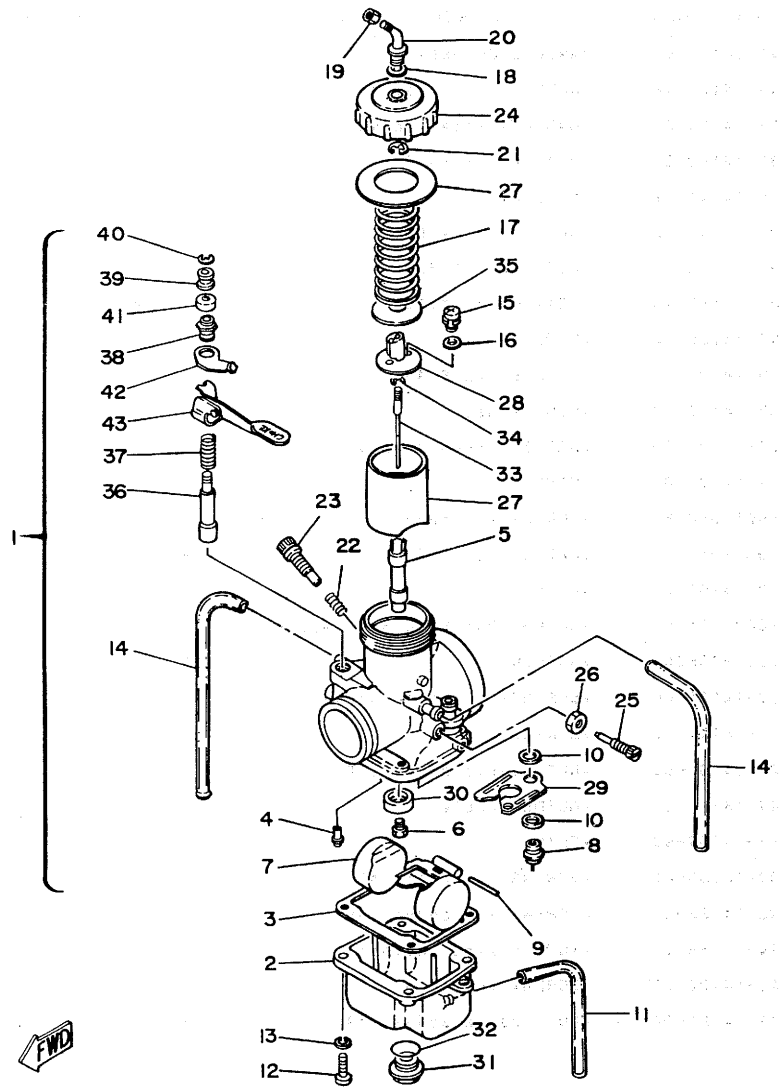


REF. NO.	PART NO.	DESCRIPTION	Q'TY	REMARKS
1	4V6-14101-00	CARBURETOR ASSY 1	1	
2	3R4-14181-16	•BODY, float chamber 1	1	
3	363-14184-00	•GASKET, float chamber	1	
4	193-14142-35	•JET, Pilot (#35.0)	1	
5	510-14141- 98 ⁴⁸	•NOZZLE, main	1	
6	137-14143- 70 ⁷⁶	•JET, main (# 350 ³⁷⁰)	1	UR STD
	137-14143- 70 ⁷⁴	•JET, main (# 350 ³⁷⁰)	1	UR
	137-14143- 70 ⁷⁸	•JET, main (# 350 ³⁹⁰)	1	UR
7	2N7-14185-00	•FLOAT	1	
8	363-14190-35	•NEEDLE VALVE ASSY	1	
9	537-14186-00	•PIN, float	1	
10	239-14195-00	•WASHER, needle valve	2	
11	2K7-14197-00	•PIPE	1	
12	98501-05016	•SCREW, Pan head	4	
13	92902-05100	•WASHER, spring	4	
14	310-14197-00	•PIPE	2	
15	97602-03108	•SCREW, Pan head with washer	2	
16	92902-03600	•WASHER	2	
17	363-14131-00	•SPRING, throttle valve	1	
18	8F2-14147-00	•O-RING	1	
19	127-14161-00	•NUT, cable adjusting	1	
20	3R4-14155-00	•GUIDE, cable	1	
21	363-14137-00	•CLIP	1	
22	137-14133-00	•SPRING, throttle stop	1	
23	1W3-14123-00	•SCREW, air adjusting	1	
24	3R4-14158-00	•TOP, mixing chamber	1	
25	2A0-14122-00	•SCREW, throttle	1	
26	802-14161-00	•NUT, cable adjusting	1	

B6

P.N 81006
Jan 81

FIG. 5 CARBURETOR

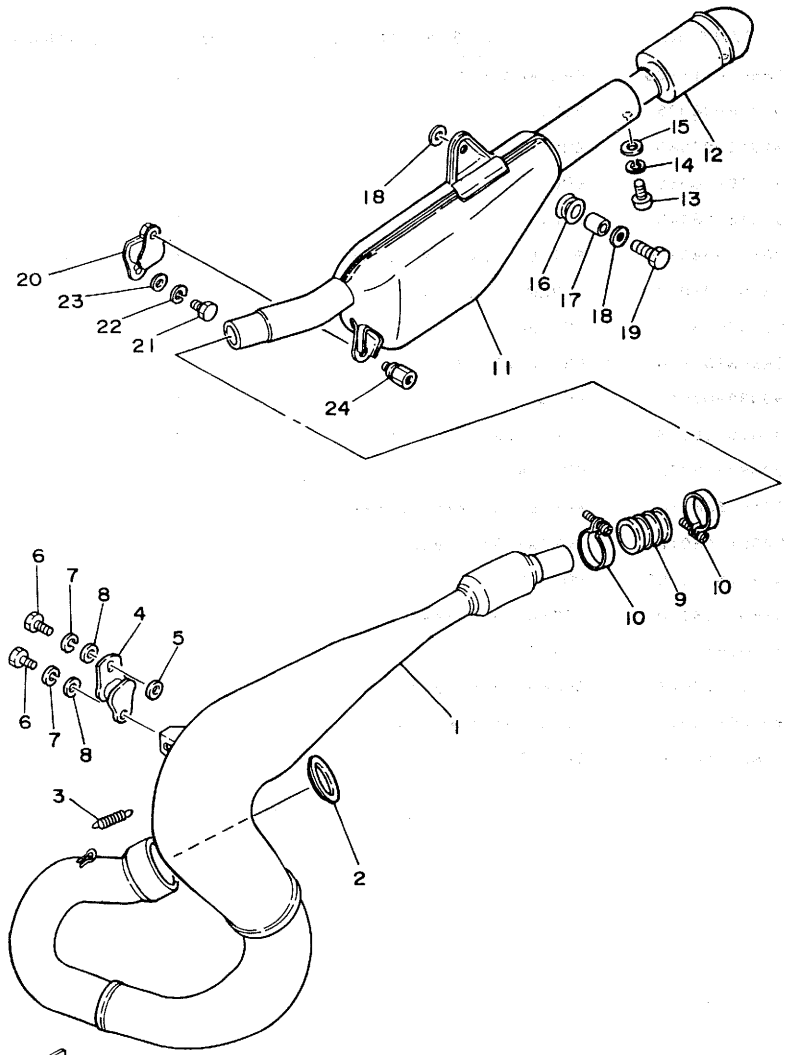


REF. NO.	PART NO.	DESCRIPTION	Q'TY	REMARKS
27	2X8-14112- 20 ³⁰	•VALVE, throttle 1	1	
28	509-14274-00	•CONNECTOR	1	
29	3R4-14146-00	•PLATE	1	
30	2X8-14153-00	•WASHER, main Jet	1	
31	510-14115-00	•PLUG, screw	1	
32	558-14147-00	•O-RING	1	
33	239-14116- 28 ³⁹	•NEEDLE	1	
34	164-14137-00	•CLIP	1	
35	509-14136-00	•SEAT, spring	1	
36	1W1-14171-00	•PLUNGER, starter	1	
37	256-14135-00	•SPRING, Plunger	1	
38	802-14174-00	•CAP, Plunger	1	
39	737-14241-00	•BUSH	1	
40	737-14137-00	•CLIP	1	
41	2X7-14173-00	•COVER, Plunger cap	1	
42	1W3-14178-00	•PLATE, starter spring	1	
43	1W3-14175-00	•LEVER, starter 1	1	

B7

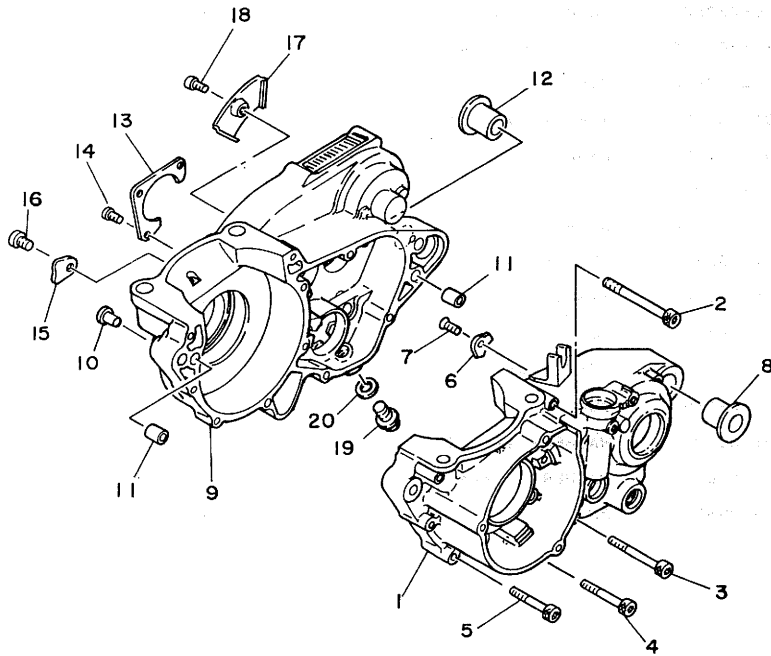
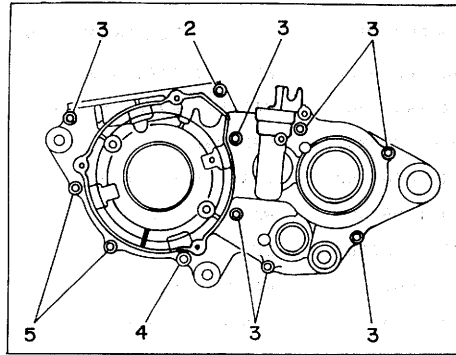
P/N 8106
Jan '81

FIG. 6 EXHAUST



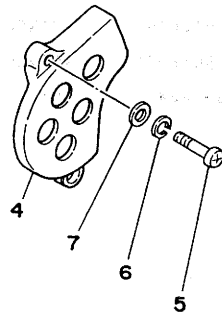
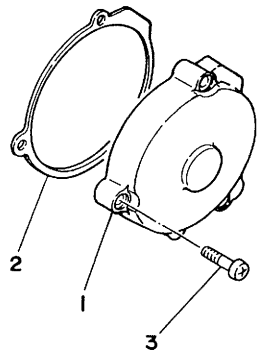
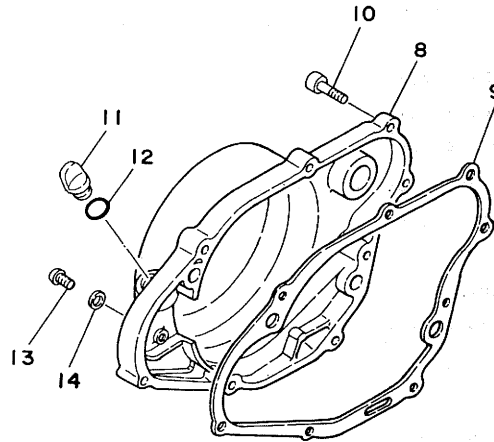
REF. NO.	PART NO.	DESCRIPTION	Q'TY	REMARKS
1	4V6-14610-00	EXHAUST PIPE ASSY 1	1	
2	3R4-14613-00	GASKET, exhaust Pipe	1	
3	90507-20030	SPRING, tension	3	
4	3R4-14781-02	STAY, muffler 2	1	
5	92901-08200	WASHER, Plain	1	
6	97301-08016	BOLT	2	
7	92901-08100	WASHER, sPrinG	2	
8	92901-08600	WASHER, Plate	2	
9	1M1-14714-00	GASKET, muffler	1	
10	90460-43053	CLAMP, hose	2	
11	4V5-14753-00	SILENCER, exhaust	1	
12	4V5-14752-00	PIPE, outlet	1	
13	92501-06012	SCREW, Pan head	1	
14	92901-06100	WASHER, sPrinG	1	
15	92901-06600	WASHER, Plate	1	
16	565-14747-00	DAMPER, muffler	1	
17	90387-08258	COLLAR	1	
18	90201-08114	WASHER, Plate	2	
19	90109-08512	BOLT	1	
20	565-14771-00	STAY, muffler 1	1	
21	97301-06016	BOLT	1	
22	92901-06100	WASHER, sPrinG	1	
23	92901-06600	WASHER, Plate	1	
24	90109-06551	BOLT	1	
25	92501-06008	SCREW	1	
26	90202-06010	WASHER, plain	1	

FIG. 7 CRANKCASE



REF. NO.	PART NO.	DESCRIPTION	Q'TY	REMARKS
1	3R5-15111-00	CRANKCASE 1	1	
2	91316-06075	BOLT	1	
3	91316-06060	BOLT	7	
4	91316-06050	BOLT	1	
5	91316-06045	BOLT	2	
6	3R4-15383-00	PLATE, bearing cover	1	
7	92701-06012	SCREW, flat head	1	
8	90387-16776	COLLAR	1	
9	3R5-15112-00	CRANKCASE 2	1	
10	90338-07011	PLUG	1	
11	91810-05016	PIN, dowel	4	
12	90387-16776	COLLAR	1	
13	3R4-15381-00	PLATE, bearing cover	1	
14	92501-06012	SCREW, Pan head	3	
15	4V4-15118-00	HOLDER	1	
16	92501-06010	SCREW, Pan head	1	
17	3R4-15113-00	PLATE	1	
18	92501-06012	SCREW, Pan head	1	
19	90340-12059	PLUG, straight screw	1	
20	90430-12038	GASKET	1	

FIG. 8 CRANKCASE COVER



REF. NO.	PART NO.	DESCRIPTION	Q'TY	REMARKS
1	3R5-15411-00	COVER, crankcase 1	1	
2	4V4-15451-00	GASKET, crankcase cover	1	
3	92506-06035	SCREW, Pan head	3	
4	3R4-15421-00	COVER, crankcase 2	1	
5	92506-06025	SCREW, Pan head	1	
6	92906-06100	WASHER, sPring	1	
7	92906-06600	WASHER, Plate	1	
8	3R4-15431-01	COVER, crankcase 3	1	
9	3R4-15462-00	GASKET, crankcase cover 3	1	
10	91316-06025	BOLT	8	
11	1G8-15362-00	PLUG, oil level	1	
12	93210-14104	O-RING	1	
13	92506-06008	SCREW, Pan head	1	
14	90430-06016	GASKET	1	



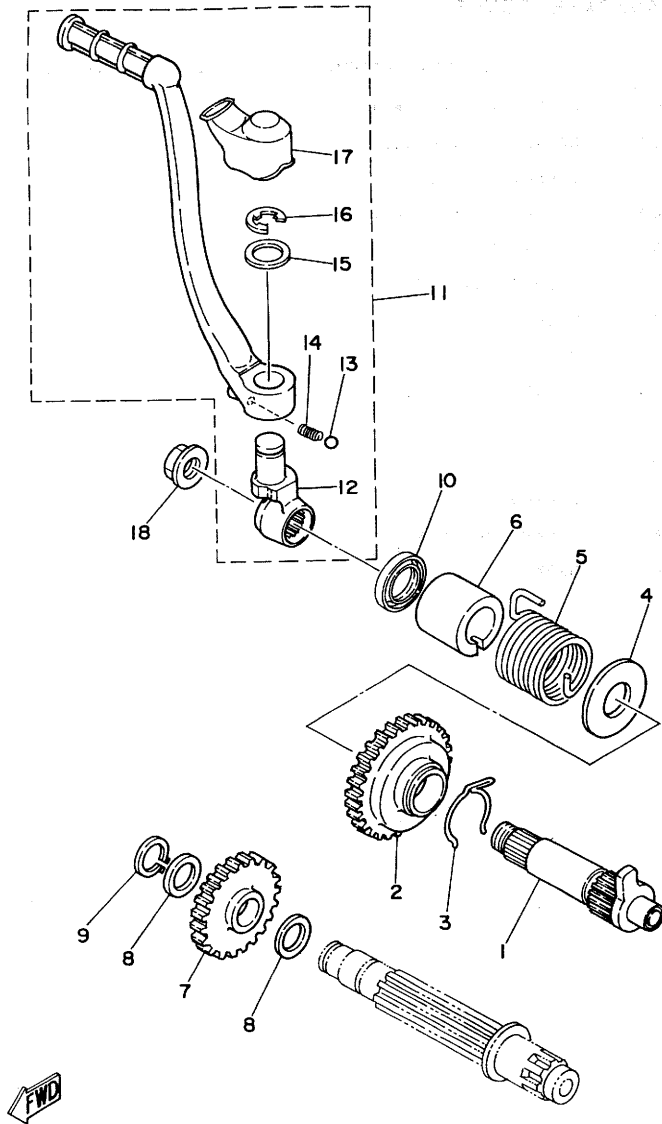
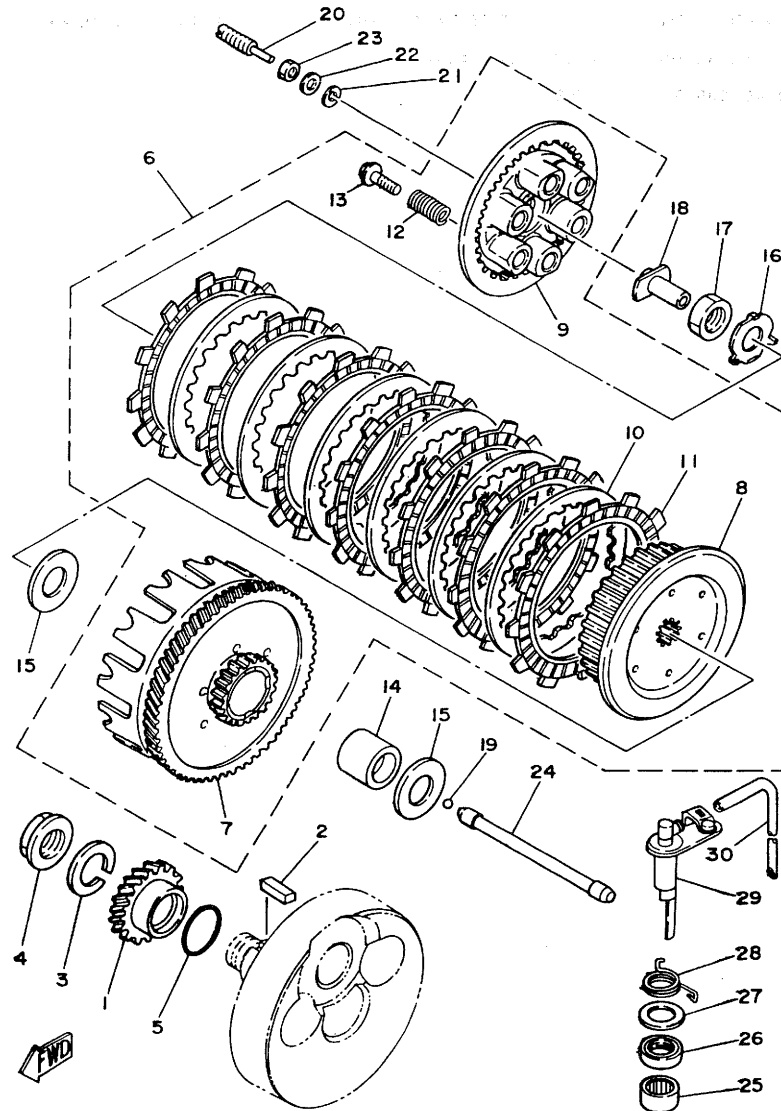


FIG. 9 KICK STARTER

REF. NO.	PART NO.	DESCRIPTION	Q'TY	REMARKS
1	3R4-15660-00	KICK AXLE ASSY	1	
2	3R4-15641-00	GEAR, kick (26T)	1	
3	90468-26048	CLIP	1	
4	90201-20358	WASHER, Plate	1	
5	90508-30422	SPRING, torsion	1	
6	3R4-15664-00	GUIDE, sPring	1	
7	3R4-15651-00	GEAR, sProcket idle (21T)	1	
8	90201-17545	WASHER, Plate	2	
9	93410-17008	CIRCLIP	1	
10	93109-20014	OIL SEAL	1	
11	4V3-15620-00	KICK CRANK ASSY	1	
12	4V3-15621-00	•BOSS, kick crank	1	
13	93507-32009	•BALL	1	
14	90501-12081	•SPRING, comPression	1	
15	90201-15234	•WASHER, Plate	1	
16	93430-10016	•CIRCLIP	1	
17	2K7-15618-00	•COVER, kick lever	1	
18	90179-12244	NUT	1	



FIG. 10 CLUTCH

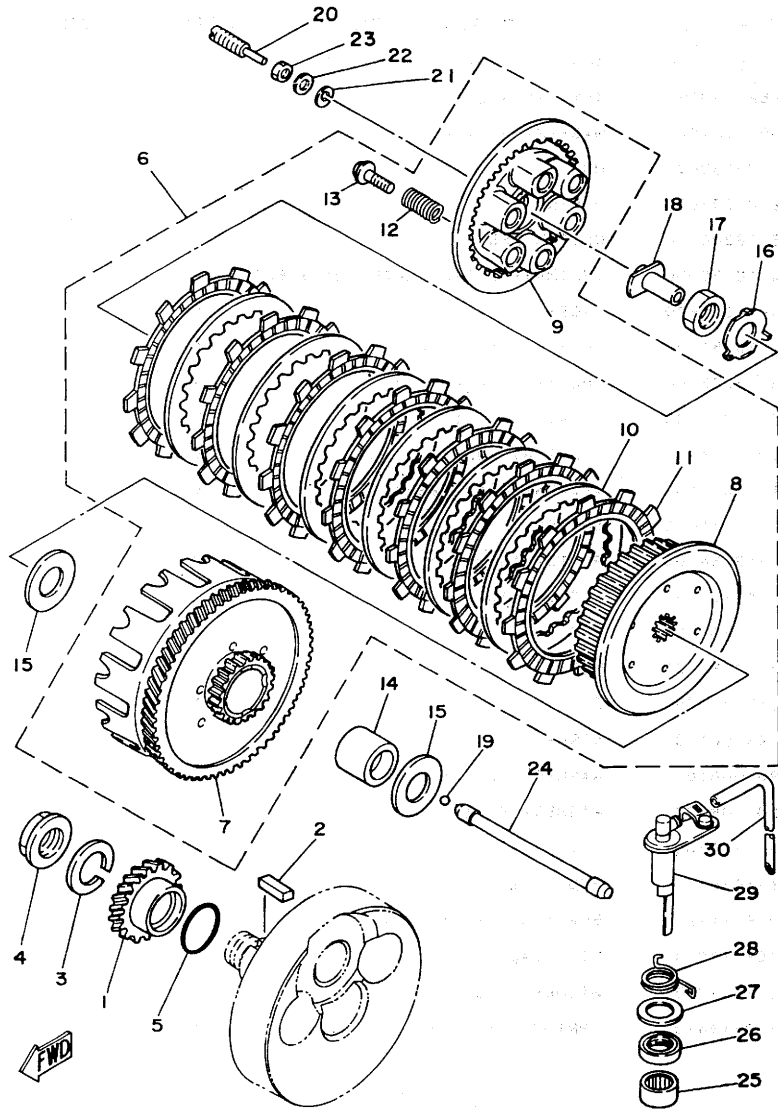


REF. NO.	PART NO.	DESCRIPTION	Q'TY	REMARKS
1	3R5-16111-00	GEAR, Primary drive (24T)	1	
2	90282-07019	KEY, straight	1	
3	92901-18100	WASHER, spring	1	
4	90170-18089	NUT	1	
5	93210-29282	O-RING	1	
6	3R5-16300-00	CLUTCH ASSY	1	
7	3R4-16150-00	•PRIMARY DRIVEN GEAR COMP.(63T)	1	
8	3R4-16371-00	•BDSS, clutch	1	
9	1M1-16351-00	•PLATE, Pressure 1	1	
10	168-16325-00	•PLATE, clutch 2	6	
11	383-16321-00	•PLATE, friction	7	
12	90501-24408	•SPRING, compression	6	
13	90159-06016	•SCREW, with washer	6	
14	2K7-16181-00	SPACER 1	1	
15	2K7-16154-00	PLATE, thru: 1	2	
16	90215-20125	WASHER, lock	1	
17	90170-20255	NUT	1	
18	3R4-16356-00	ROD, Push 1	1	
19	93515-32029	BALL	1	
20	90149-08143	SCREW	1	
21	92901-08100	WASHER, spring	1	
22	90201-08092	WASHER, Plate	1	
23	95311-08700	NUT	1	
24	3R5-16357-00	ROD, Push 2	1	
25	93315-21721	BEARING, cylindrical	1	
26	93102-17004	OIL SEAL	1	
27	90201-17327	WASHER, Plate	1	
28	90508-14423	SPRING, torsion	1	
29				
30				

B12

P.N. 8106
 from 8'

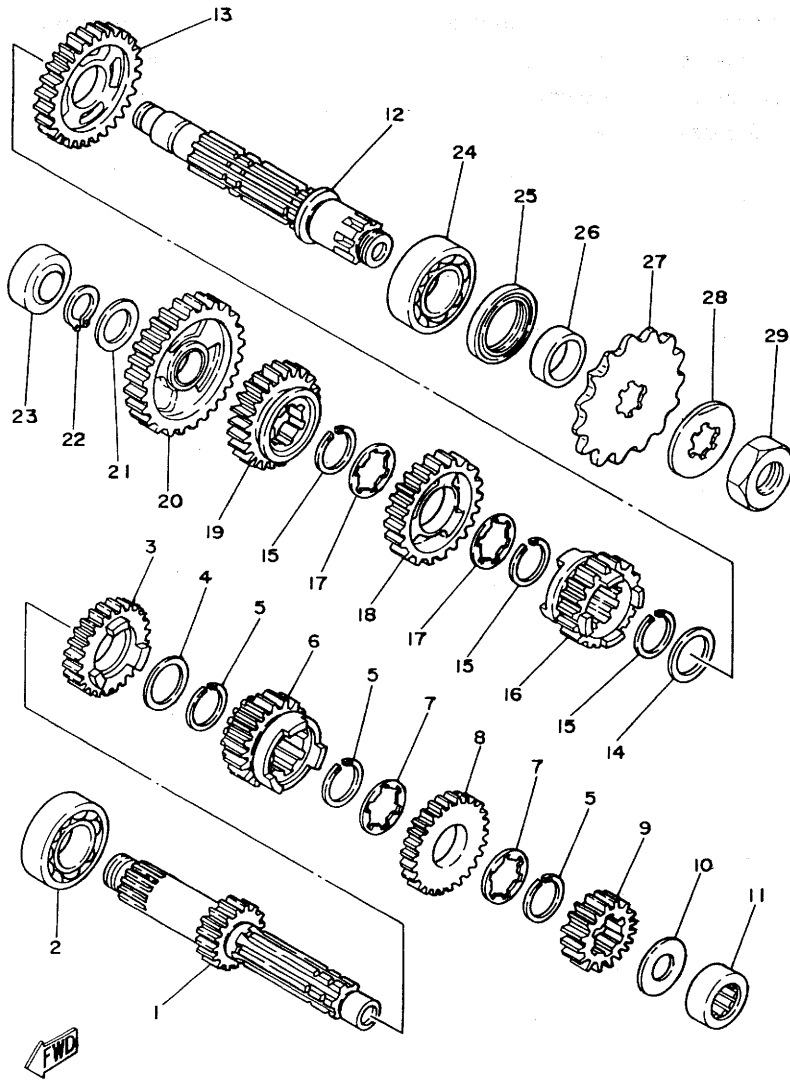
FIG. 10 CLUTCH



REF. NO.	PART NO.	DESCRIPTION	Q'TY	REMARKS
29	4V4-16380- 80 ⁸¹	PUSH LEVER ASSY	1	
30	90445- 08577 ⁰⁹²⁷⁰	HOSE	1	

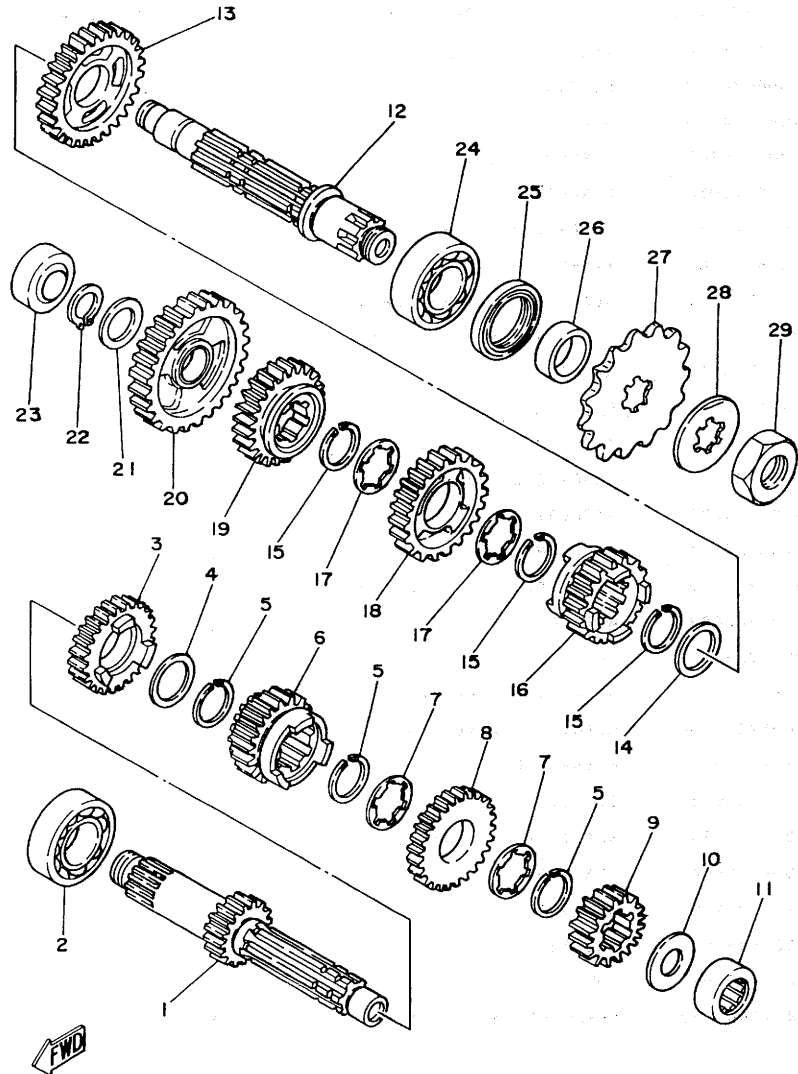
B13

FIG. 11 TRANSMISSION



REF. NO.	PART NO.	DESCRIPTION	Q'TY	REMARKS
1	4V6-17411-00	AXLE, main (12T)	1	
2	93306-20540	BEARING	1	
3	4V6-17141-00	GEAR, 4th Pinion (22T)	1	
4	90201-25287	WASHER, Plate	1	
5	93440-25084	CIRCLIP	3	
6	3R5-17131-01	GEAR, 3rd Pinion (19T)	1	
7	90209-22082	WASHER	2	
8	4V6-17151-00	GEAR, 5th Pinion (28T)	1	
9	3R5-17121-01	GEAR, 2nd Pinion (16T)	1	
10	90209-20213	WASHER	1	
11	93311-62035	BEARING, cylindrical	1	
12	3R5-17421-00	AXLE, drive	1	
13	4V6-17221-00	GEAR, 2nd wheel (28T)	1	
14	90201-25287	WASHER, Plate	1	
15	93440-25084	CIRCLIP	3	
16	4V6-17251-00	GEAR, 5th wheel (22T)	1	
17	90209-22082	WASHER	2	
18	3R5-17231-02	GEAR, 3rd wheel (25T)	1	
19	4V6-17241-00	GEAR, 4th wheel (22T)	1	
20	4V6-17211-00	GEAR, 1st wheel (32T)	1	
21	90201-20278	WASHER, Plate	1	
22	93410-20038	CIRCLIP	1	
23	93311-62035	BEARING, cylindrical	1	
24	93306-20544	BEARING	1	
25	93102-32136	OIL SEAL	1	
26	90387-25663	COLLAR	1	
27	1W4-17461-40	SPROCKET, drive (14T)	1	UR STD
	1W4-17461-30	SPROCKET, drive (13T)	1	AP

FIG. 11 TRANSMISSION

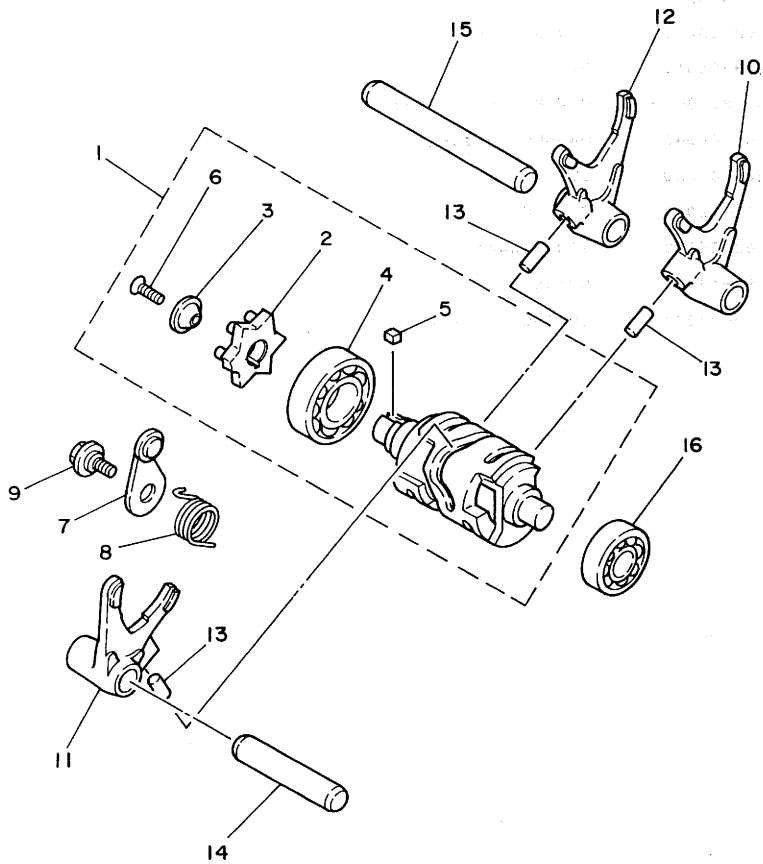


REF. NO.	PART NO.	DESCRIPTION	Q'TY	REMARKS
27	1W4-17461-50	SPROCKET, drive (15T)	1	AP
28	90215-21121	WASHER, lock	1	
29	90179-20255	NUT	1	

B15

P.N. 2106
Jan '81

FIG. 12 SHIFT CAM-FORK

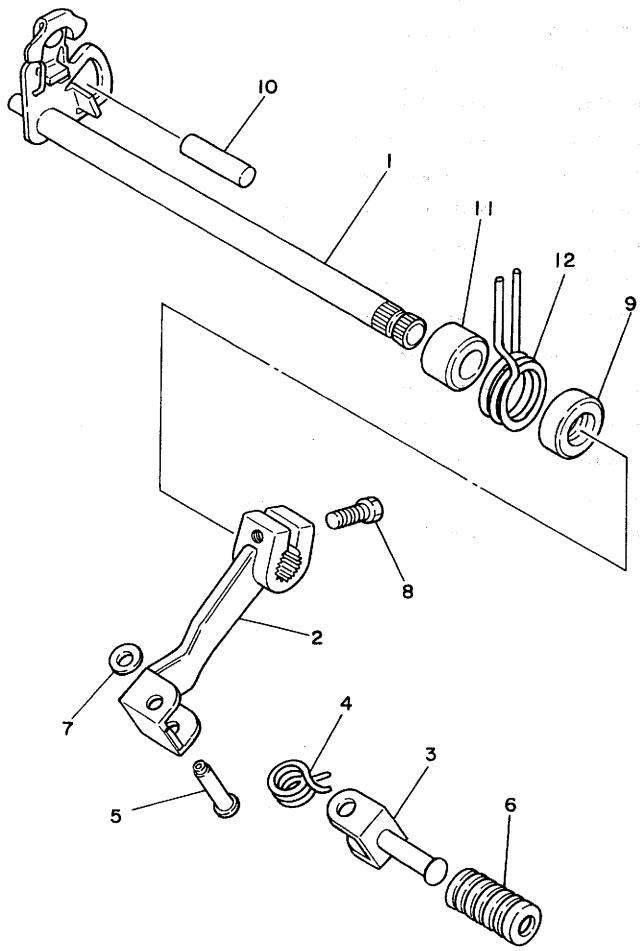


REF. NO.	PART NO.	DESCRIPTION	Q'TY	REMARKS
1	3R5-18540-03	SHIFT CAM ASSY	1	
2	3R4-18185-00	•SEGMENT	1	
3	3R4-18561-00	•PLATE, side 1	1	
4	93306-00422	•BEARING	1	
5	90282-04036	•KEY, straight	1	
6	98701-05016	•SCREW, flat head	1	
7	3R4-18140-00	STOPPER LEVER ASSY	1	
8	90508-26421	SPRING, torsion	1	
9	1W1-18177-00	BOLT, stopPer	1	
10	3R5-18511-00	FORK, shift 1	1	
11	3R5-18512-00	FORK, shift 2	1	
12	3R5-18513-00	FORK, shift 3	1	
13	93606-14154	PIN, dowel	3	
14	4V4-18531-00	BAR, shift fork Guide 1	1	
15	4V4-18535-00	BAR, shift fork Guide 2	1	
16	93306-20107	BEARING (B6201)	1	



P.N. 81006
Jan '81

FIG. 13 SHIFT SHAFT-PEDAL

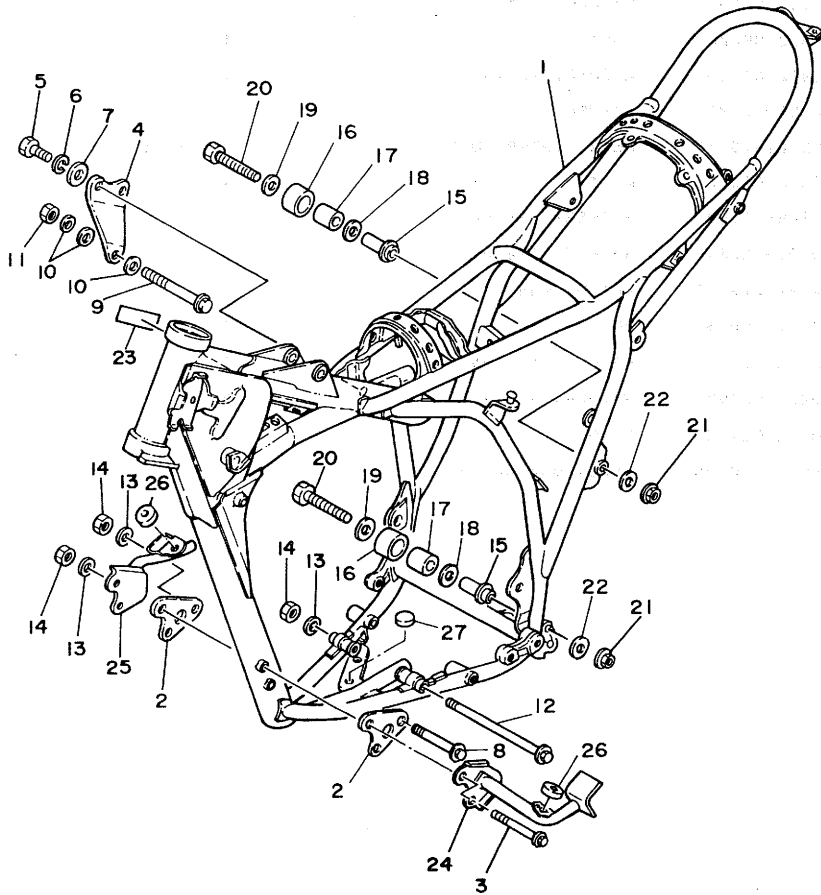


REF. NO.	PART NO.	DESCRIPTION	Q'TY	REMARKS
1	3R4-18101- 02	SHIFT SHAFT ASSY	1	
2	4V4-18111-04	PEDAL, shift	1	
3	3R8-18162-00	PEDAL, shift	1	
4	90508-20415	SPRING, torsion	1	
5	90243-0801 ⁹	PIN	1	
6	1W6-18113-00	COVER, shift Pedal	1	
7	90201-06042	WASHER, Plate	1	
8	97321-06020	BOLT	1	
9	93101-12004	OIL SEAL	1	
10	93608-25150	PIN, dowel	1	
11	90560-12171	SPACER	1	
12	90508-32374	SPRING, torsion	1	



FIG. 14 FRAME

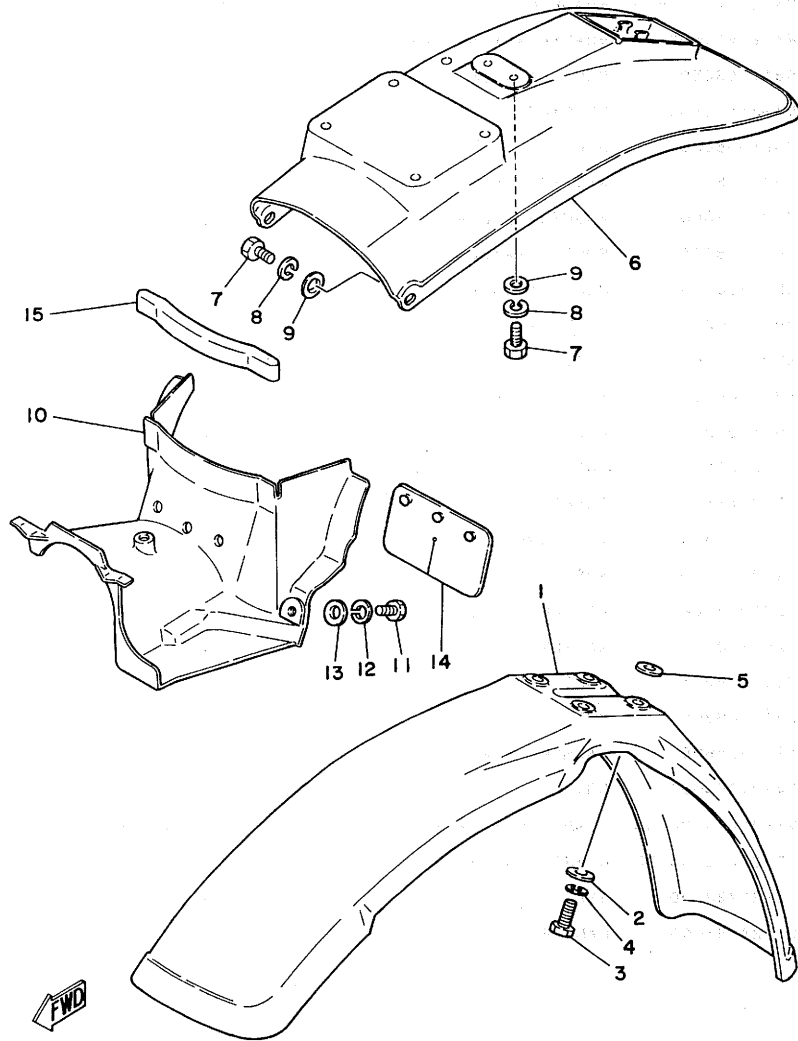
REF. NO.	PART NO.	DESCRIPTION	Q'TY	REMARKS
1	4V5-21110-00-33	FRAME COMP	1	yamaha black
2	3R4-21415-00	BRACKET, front upper 1	2	
3	95811-08080	BOLT, flange	2	
4	4V4-21425-00	BRACKET, rear upper 1	1	
5	97321-08025	BOLT	2	
6	92901-08100	WASHER, spring	2	
7	92901-08600	WASHER, Plate	2	
8	95811-08075	BOLT, flange	1	
9	95811-10055	BOLT, flange	1	
10	92901-10200	WASHER, Plain	3	
11	95601-10100	NUT, u	1	
12	95811-08170	BOLT, flange	1	
13	92901-08200	WASHER, Plain	4	
14	90185-08054	NUT, self-locking	4	
15	2K7-2148A-00	SHAFT	2	
16	4V4-22178-00	TENSIONER	2	
17	4V4-22184-00	BUSH	2	
18	90201-13202	WASHER, Plate	2	
19	90201-08113	WASHER, Plate	2	
20	97301-08055	BOLT	2	
21	95702-08300	NUT, nylon	2	
22	90201-08638	WASHER, Plate	2	
23	3R4-2139W-00	COVER	1	
24	4V5-2147A-00-33	GUARD, engine 1	1	yamaha black
25	4V5-2147E-00-33	GUARD, engine 2	1	yamaha black
26	2J5-21732-00	SEAL 1	2	
27	431-24181-00	DAMPER, locating 1	2	



FWD

C4

FIG. 15 FRONT FENDER•REAR FENDER



REF. NO.	PART NO.	DESCRIPTION	Q'TY	REMARKS
1	3R8-21511-11	FENDER, front	1	sky blue
2	90201-06067	WASHER, Plate	4	
3	97302-06020	BOLT	4	
4	92902-06100	WASHER, sPring	4	
5	90209-06187	WASHER	4	
6	4V5-21610-10	REAR FENDER COMP.	1	sky blue
7	97306-06016	BOLT	4	
8	92906-06100	WASHER, sPring	4	
9	90201-06067	WASHER, Plate	4	
10	4V5-21629-00	GUARD, mud	1	
11	97301-06015	BOLT	2	
12	92902-06100	WASHER, sPring	2	
13	90201-06067	WASHER, Plate	2	
14	1M1-21621-00	FLAP	1	
15	565-21746-00	SEAL, mud Guard	1	

C5

FIG. 16 SIDE COVER

REF. NO.	PART NO.	DESCRIPTION	Q'TY	REMARKS
1	4V5-21711-10-26	COVER, side (L.H)	1	comPetition ye- llow /sky blue
2	92902-08200	WASHER	2	
3	92501-06015	SCREW, Pan head	2	
4	92901-06100	WASHER, sPring	2	
5	90201-06571	WASHER, Plate	2	
6	431-24181-00	DAMPER, locatinG 1	3	
7	4V5-21721-10-26	COVER, side (R.H)	1	comPetition ye- llow /sky blue
8	92501-06015	SCREW, Pan head	1	
9	92901-06100	WASHER, sPring	1	
10	90201-06571	WASHER, Plate	1	
11	90480-12053	GROMMET	2	
12	4V6-21737-00	EMBLEM	2	

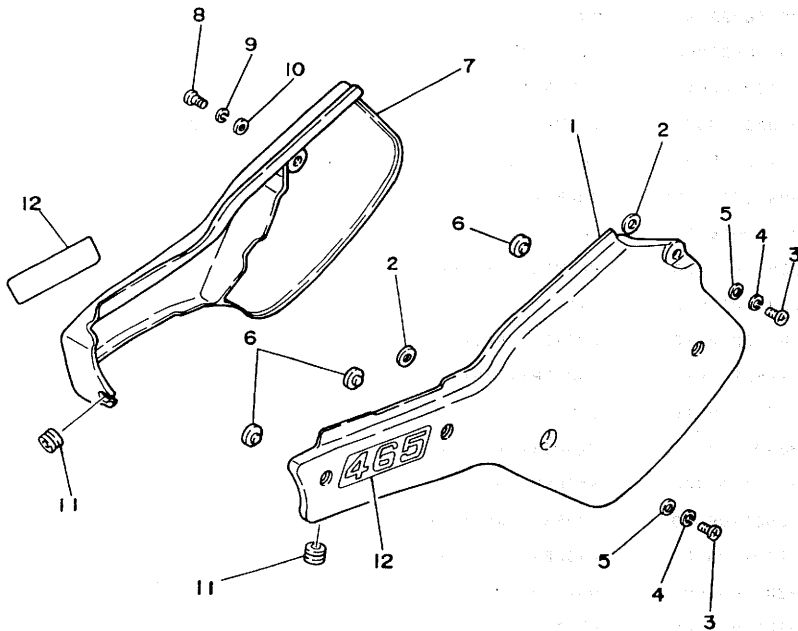
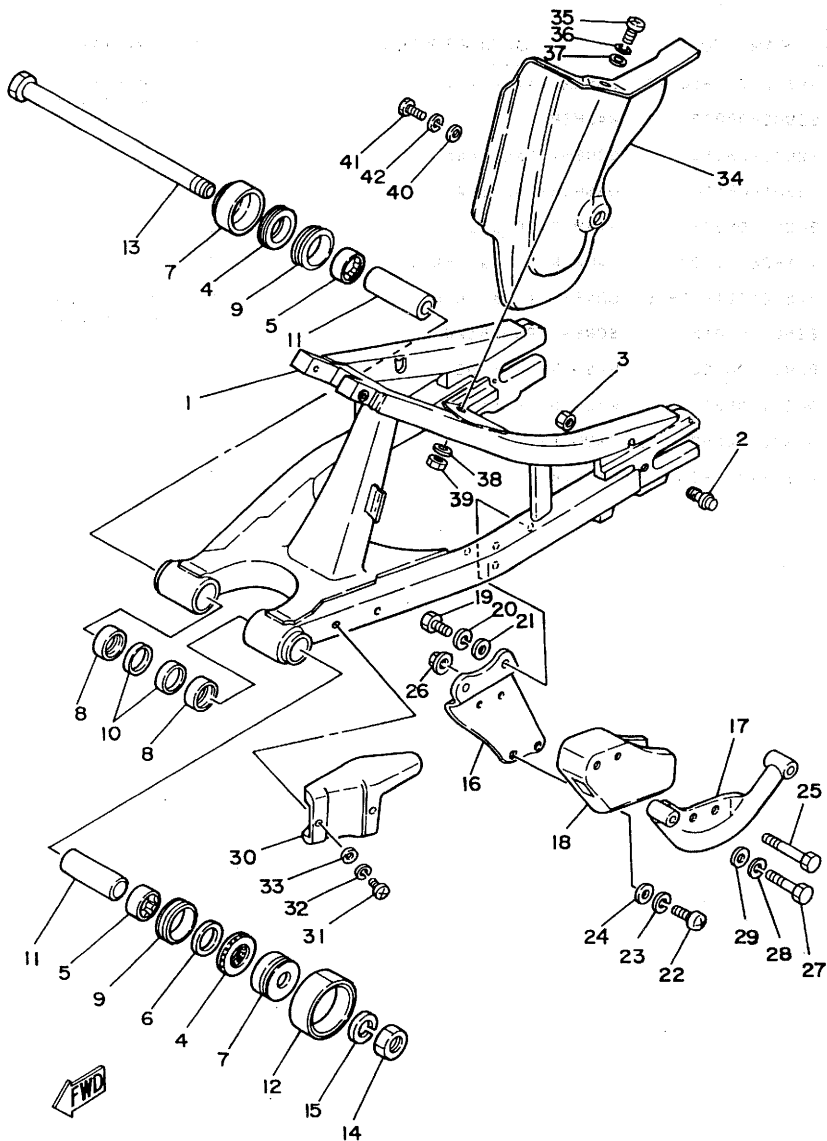
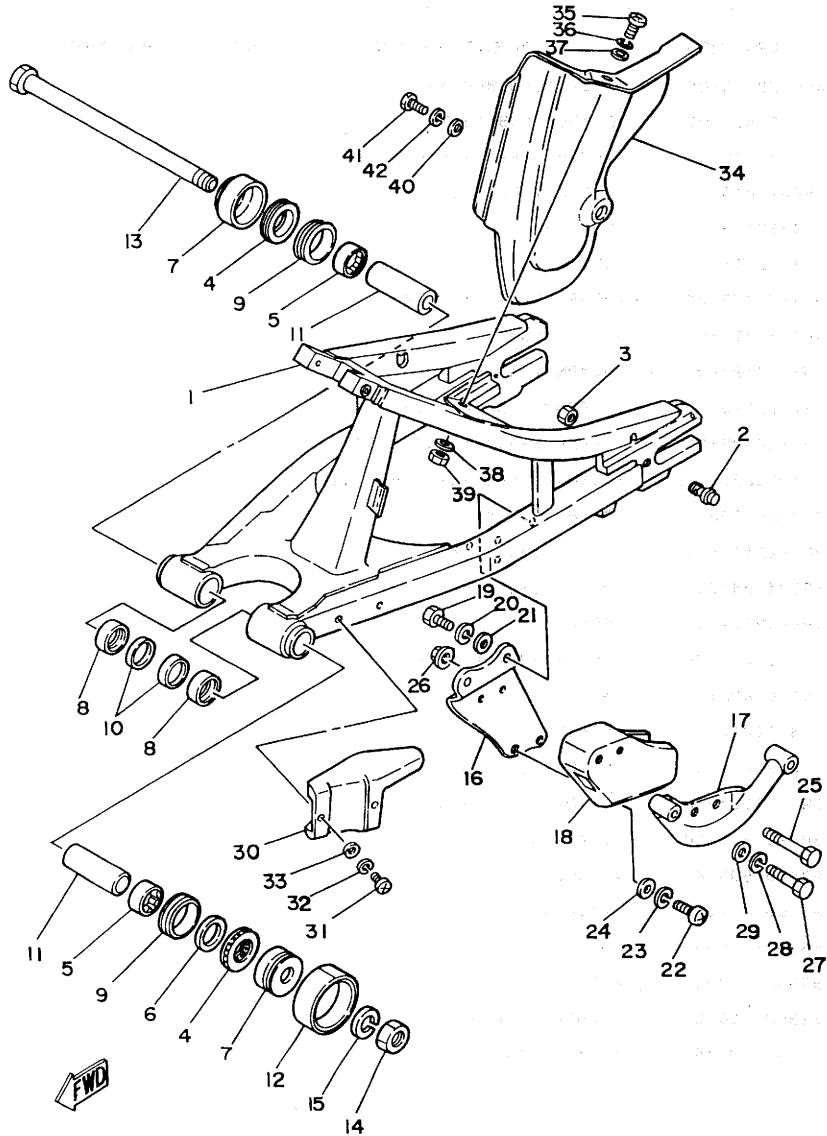


FIG. 17 REAR ARM



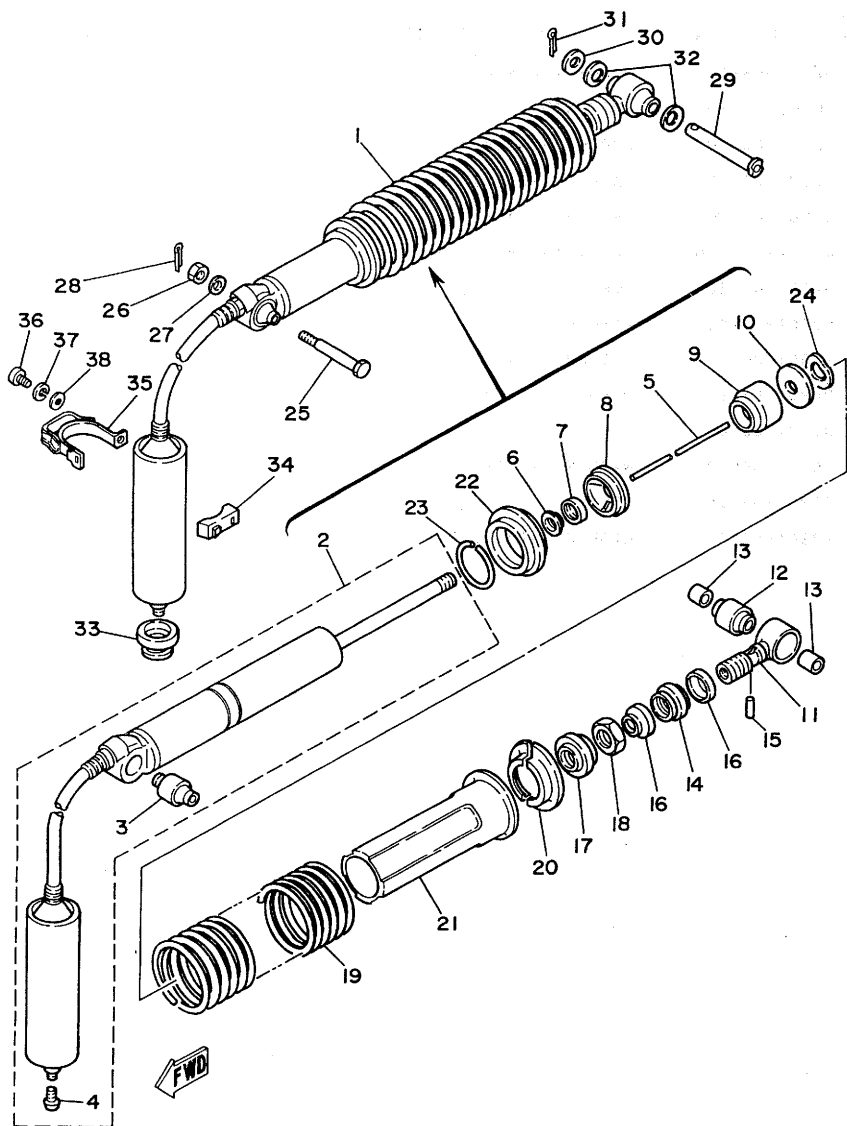
REF. NO.	PART NO.	DESCRIPTION	Q'TY	REMARKS
1	4V6-22110-00-35	REAR ARM COMP.	1	silver
2	90109-08599	BOLT	2	
3	90179-08278	NUT	2	
4	93342-22208	BEARING	2	
5	93317-22214	BEARING, cylindrical	2	
6	648-45533-00-03	SHIM (0.3T)	1	UN
7	3R4-22129-00	COVER, thrust 2	2	
8	90386-22097	BUSH	2	
9	93108-35004	OIL SEAL	2	
10	93109-22018	OIL SEAL	2	
11	90380-16077	BUSH, solid	2	
12	431-22151-03	SEAL, Guard	1	
13	3R4-22141-00	SHAFT, Pivot	1	
14	90170-16111	NUT	1	
15	92901-16100	WASHER, sPring	1	
16	2X4-22179-00	ARM, tensioner	1	
17	3R5-22153-00	GUARD, chain	1	
18	2X4-22199-00	SUPPORT, chain	1	
19	97301-08016	BOLT	2	
20	92901-08100	WASHER, sPring	2	
21	92901-08600	WASHER, Plate	2	
22	92501-06020	SCREW, Pan head	2	
23	92901-06100	WASHER, sPring	2	
24	92901-06600	WASHER, Plate	2	
25	97301-06050	BOLT	2	
26	95702-06300	NUT, nylon	2	
27	97301-08035	BOLT	2	
28	92901-08100	WASHER, sPring	2	

FIG. 17 REAR ARM



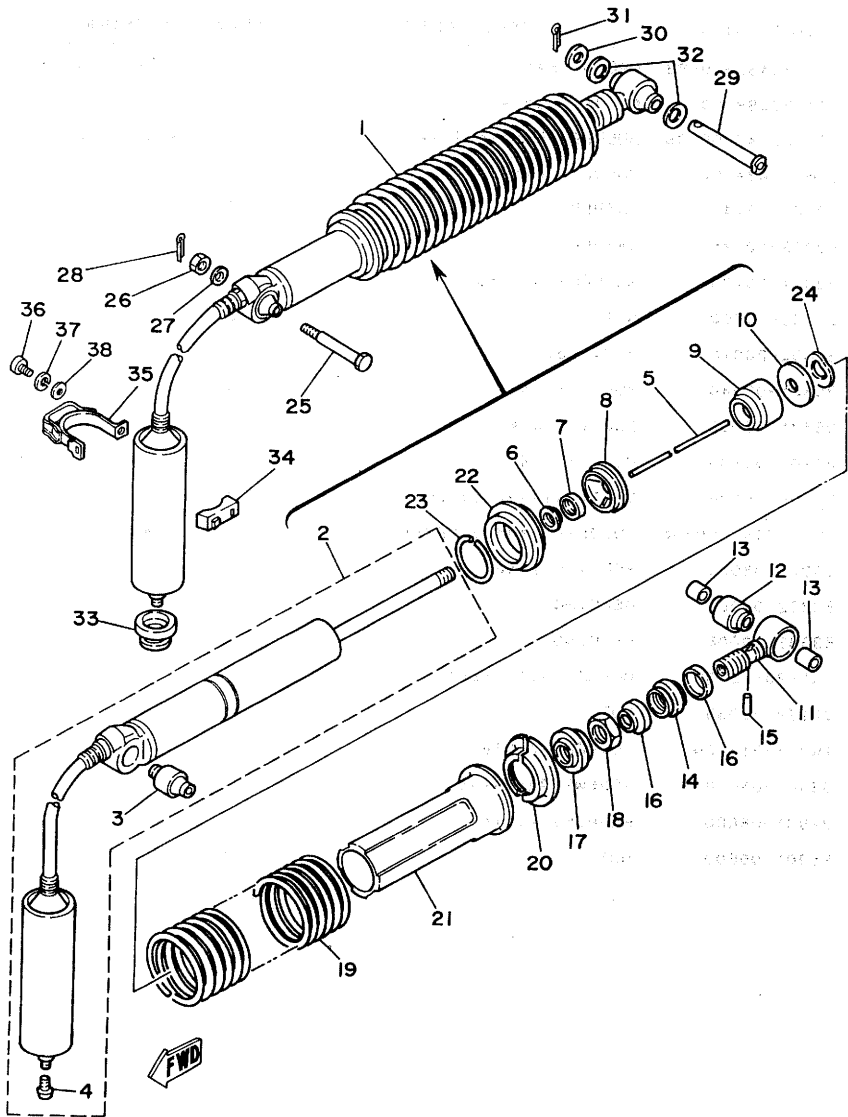
REF. NO.	PART NO.	DESCRIPTION	Q'TY	REMARKS
29	92901-08600	WASHER, Plate	2	
30	3R4-22147-00	PROTECTOR, chain	1	
31	98501-05010	SCREW, Pan head	2	
32	92901-05100	WASHER, sPring	2	
33	92901-05200	WASHER, Plain	2	
34	4V5-22311-00	CASE, chain	1	black
35	92501-06020	SCREW, Pan head	1	
36	92901-06100	WASHER, sPring	1	
37	92901-06600	WASHER, Plate	1	
38	90201-06067	WASHER, Plate	1	
39	95601-06100	NUT, u	1	
40	90201-06067	WASHER, Plate	1	
41	97301-06020	BOLT	1	
42	92901-06100	WASHER, sPring	1	

FIG. 18 REAR SUSPENSION



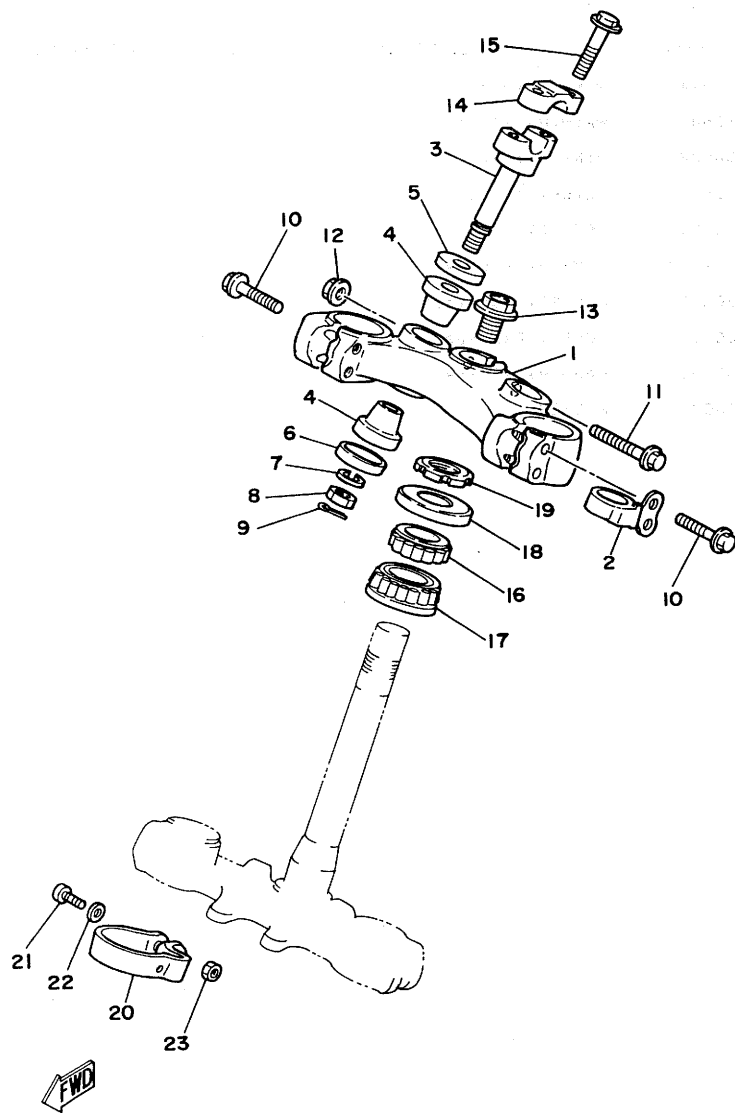
REF. NO.	PART NO.	DESCRIPTION	Q'TY	REMARKS
1	4V6-22210-00	SHOCK ABSORBER ASSY, rear	1	
2	4V6-22401-00	.DUMPER SUB ASSY	1	
3	1W1-22216-00	..BUSH, rear shock absorber	1	
4	98501-04005	..SCREW, Pan head	1	
5	3R4-22489-00	..ROD, Push	1	
6	3R4-22475-00	..SEAL, dust	1	
7	3R4-22473-00	..HOUSING, seal ring	1	
8	4L0-22472-00	..CAP, case	1	
9	2W6-22493-00	..BUMPER, stop	1	
10	3R4-22228-00	..SUPPORT, bump stop	1	
11	3R4-22409-00	..UPPER BRACKET SUB ASSY	1	
12	3R4-22226-00	..BUSH, shock absorber lower	1	
13	90380-12051	..BUSH, solid	2	
14	3R4-22497-00	..NUT, adjusting	1	
15	93604-26132	..PIN, dowel	1	
16	3R4-22221-01	..COVER	2	
17	3R4-22213-00	..SEAT, sPring uPper	1	
18	90170-20213	..NUT	1	
19	4V6-22212-00	..SPRING	1	(yellow/pink)
20	3R4-22214-00	..GUIDE, sPring 1	2	
21	3R4-22224-00	..GUIDE, sPring 2	1	
22	3R4-22223-00	..SEAT, sPring lower	1	
23	93440-50078	..CIRCLIP	1	
24	90206-14067	..WASHER, wave	1	
25	90109-10550	BDLT	1	
26	95302-10700	NUT	1	
27	92902-10600	WASHER, Plate	1	
28	91401-20025	PIN, cotter	1	

FIG. 18 REAR SUSPENSION



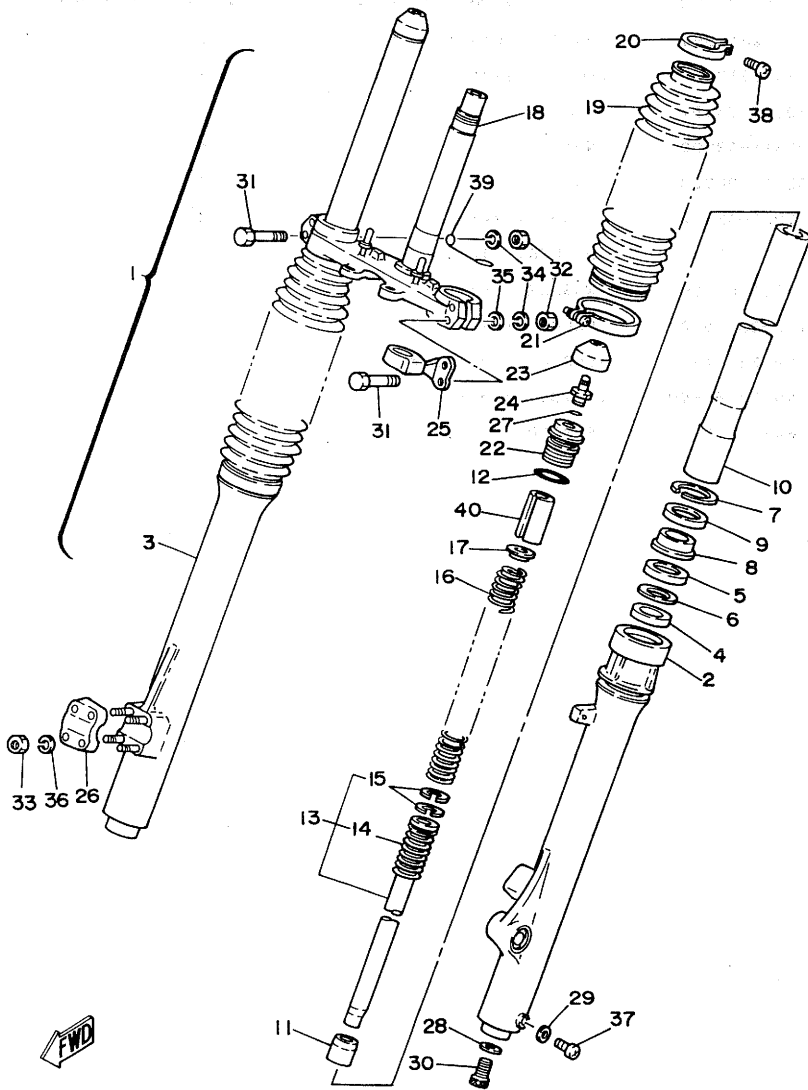
REF. NO.	PART NO.	DESCRIPTION	Q'TY	REMARKS
29	90240-12074	PIN, clevis	1	
30	92901-12600	WASHER, Plate	1	
31	91401-30022	PIN, cotter	1	
32	1W1-22128-00	COVER, thrust 1	2	
33	90480-22263	GROMMET	1	
34	3R4-22261-00	DAMPER, sub tank	1	
35	4V4-22262-01	HOLDER, sub tank	1	
36	92502-06016	SCREW, Pan-head	1	
37	92902-06100	WASHER, sPring	1	
38	92902-06600	WASHER	1	

FIG. 19 STEERING



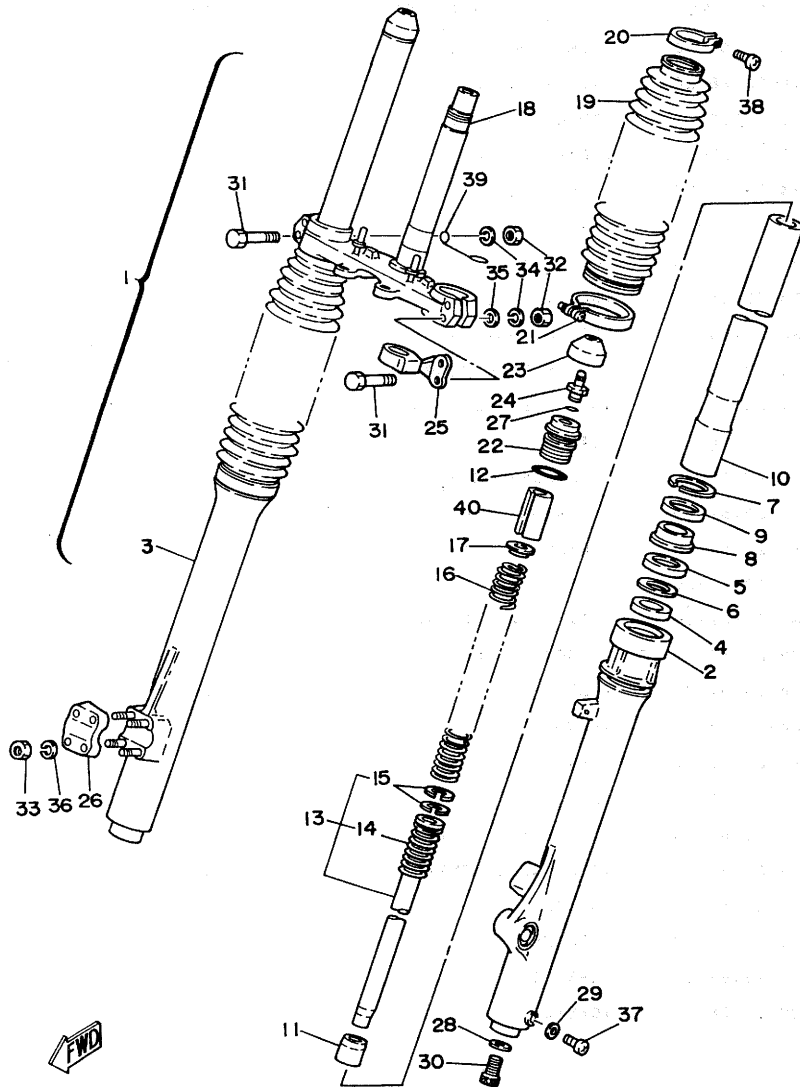
REF. NO.	PART NO.	DESCRIPTION	Q'TY	REMARKS
1	3R4-23435-00-98	CROWN, handle	1	low gloss black
2	3R4-23389-00	GUIDE, cable	1	
3	3R4-23442-00-98	HOLDER, handle lower	2	low gloss black
4	1E6-23434-00	HOLDER, damPer	4	
5	90209-12143	WASHER	2	
6	90209-10195	WASHER	2	
7	92901-10100	WASHER, sPring	2	
8	95302-10700	NUT	2	
9	91402-20018	PIN, cotter	2	
10	95821-08040	BOLT, flange	4	
11	95821-08055	BOLT, flange	1	
12	95701-08100	NUT, flange	1	
13	90105-14136	BOLT, washer based	1	
14	1E6-23441-00-98	HOLDER, handle uPPer	2	low gloss black
15	95821-08035	BOLT, flange	4	
16	93332-00001	BEARING	1	
17	93332-00008	BEARING	1	
18	1W1-23416-00	COVER, ball race 2	1	
19	90179-25033	NUT	1	
20	1W2-23318-00	HOLDER, cable 1	1	
21	98501-05018	SCREW, Pan head	1	
22	92901-05600	WASHER, Plate	1	
23	95301-05600	NUT	1	

FIG. 20 FRONT FORK



REF. NO.	PART NO.	DESCRIPTION	Q'TY	REMARKS
1	4V5-23101-L0	FRONT FORK ASSY	1	
2	4V5-23126-L0	.TUBE, outer 1	1	
3	4V5-23136-L0	.TUBE, outer 2	1	
4	4V2-23125-L0	.METAL, slide 1	2	
5	1W4-23145-L0	.DIL SEAL	2	
6	4V2-23146-L0	.WASHER, oil seal	2	
7	3R4-23153-00	.RING, snap	2	
8	3R4-23144-00	.SEAL, dust	2	
9	3R4-23148-00	.COVER, dust seal	2	
10	4V2-23110-L0	.INNER TUBE COMP.1	2	
11	3R4-23173-L0	.SPINDLE, taPer	2	
12	1W4-23114-L0	.GASKET	2	
13	4V5-23170-L0	.CYLINDER COMP., front fork	2	
14	1W4-23151-L0	..SPRING, rebound	2	
15	4V2-23157-L0	..RING, piston	4	
16	4V5-23141-L0	.SPRING, front fork	2	
17	1W4-23142-L0	.SEAT, sPring uPPer	2	
18	4V5-23340-L0-33	.UNDER BRACKET COMP.	1	yamaha black
19	3R4-23191-M0	.BOOT	2	
20	1W4-23192-L0	.BAND	2	
21	1W4-23489-L0	.BAND	2	
22	1W4-23111-L1	.BOLT, caP	2	
23	1W1-23185-L0	.CAP, front fork	2	
24	509-23190-L0	.AIR VALVE COMP.	2	
25	3R4-23389-00	.GUIDE, cable	1	
26	4V2-23167-L0	.HOLDER, axle	1	
27	509-23163-L0	.O-RING	2	
28	509-23158-L0	.GASKET	2	

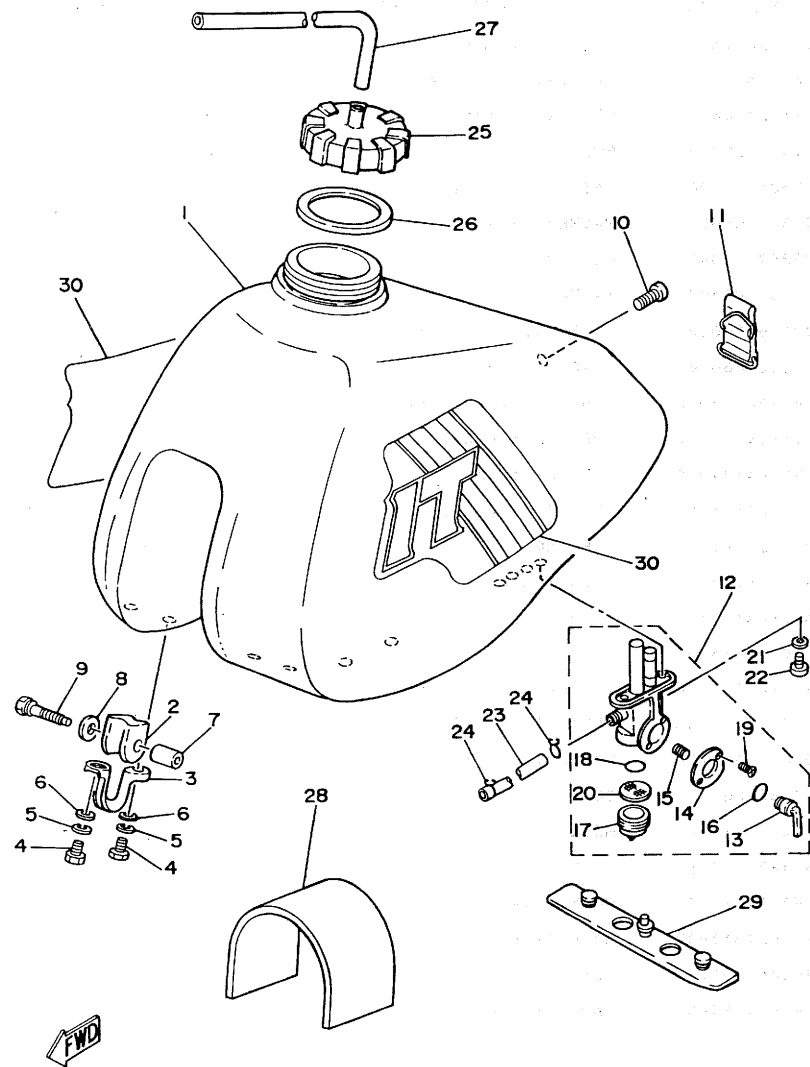
FIG. 20 FRONT FORK



REF. NO.	PART NO.	DESCRIPTION	Q'TY	REMARKS
29	122-23129-00	•GASKET, drain Plug	2	
30	3R4-23181-L0	•BOLT, hexagon socket head	2	
31	90109-08397	•BOLT	4	
32	95311-08600	•NUT	4	
33	95311-06600	•NUT	4	
34	92901-08100	•WASHER, sPrinG	4	
35	90201-08544	•WASHER, Plate	3	
36	92901-06100	•WASHER, sPrinG	4	
37	122-23119-01	•PLUG, drain	2	
38	4V2-23194-L0	•SCREW, boot band	2	
39	4V5-23389-00	•GUIDE, cable	1	
40	1W4-23118-L0	•SPACER	2	

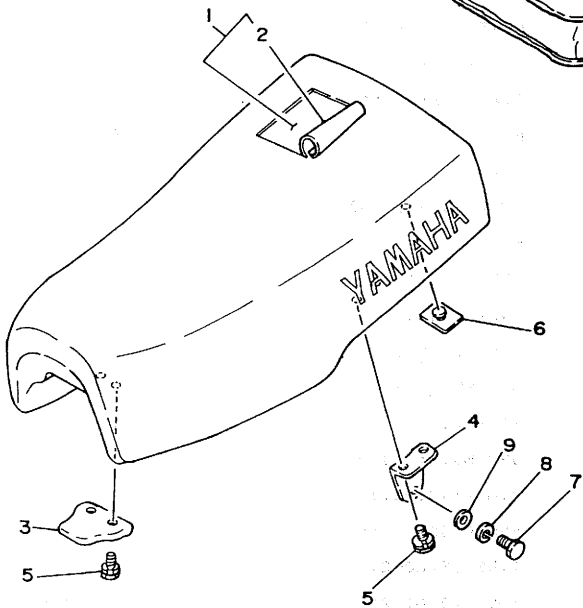
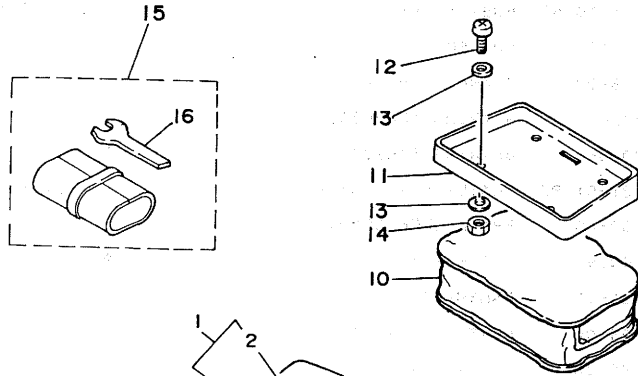
C13

FIG. 21 FUEL TANK



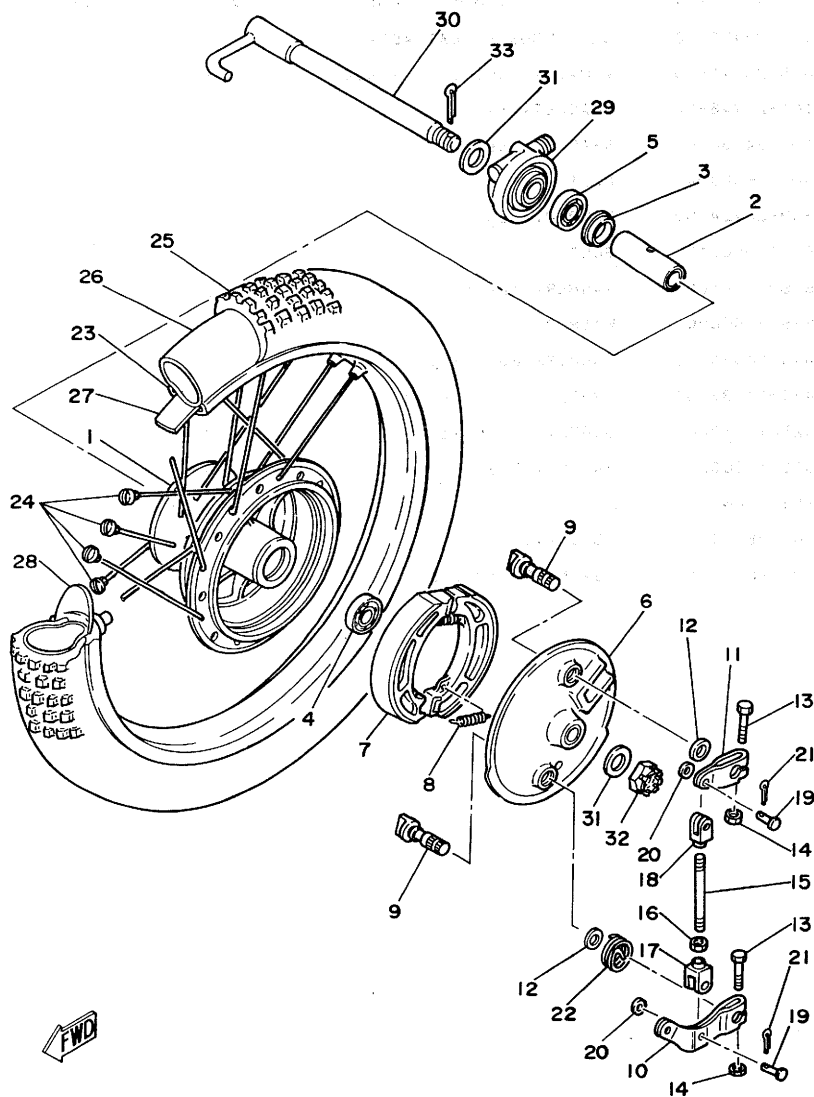
REF. NO.	PART NO.	DESCRIPTION	Q'TY	REMARKS
29	3R4-24181-00	DAMPER, locating	1	
30	4V5-24240-09	GRAPHIC SET	1	

FIG. 22 SEAT



REF. NO.	PART NO.	DESCRIPTION	Q'TY	REMARKS
1	4V5-W2473-10	SEMI-DOUBLE SEAT ASSY	1	
2	4V5-24771-10	•COVER, semi-double seat	1	
3	1M1-24748-00	BRACKET, seat	1	
4	1W1-24738-00	BRACKET, seat	2	
5	90101-06304	BOLT	6	
6	509-24724-00	DAMPER, seat	2	
7	97301-06015	BOLT	2	
8	92902-06100	WASHER, sPring	2	
9	92902-06600	WASHER	2	
10	4V5-24850-00	CARRIER BOX ASSY	1	
11	4V5-24833-00	BRACKET, carrier 2	1	
12	92501-06020	SCREW, Pan head	4	
13	90201-06067	WASHER, Plate	8	
14	95602-06100	NUT, u	4	
15	1W2-28100-10	TOOL KIT	1	
16	1W1-28135-10	•SPANNER, sPecial	1	

FIG. 23 FRONT WHEEL

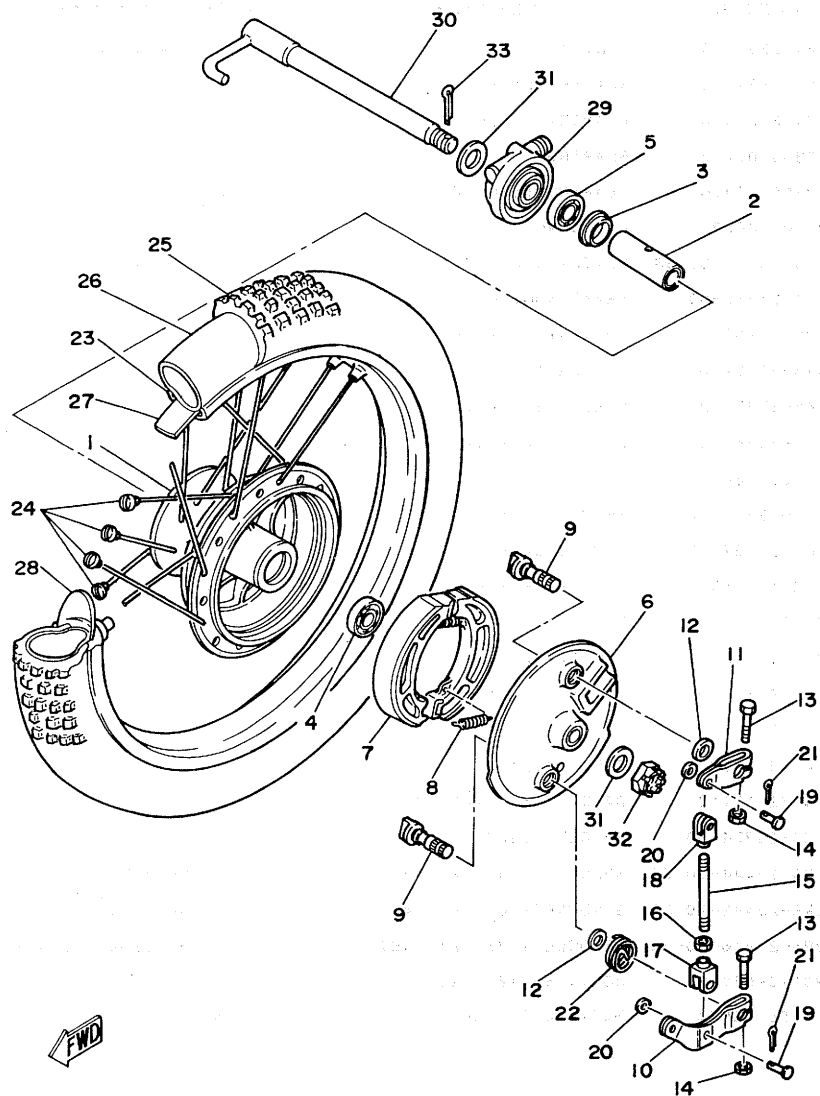


REF. NO.	PART NO.	DESCRIPTION	Q'TY	REMARKS
1	1K7-25111-10-98	HUB, front	1	low gloss black
2	90560-15116	SPACER	1	
3	146-25116-00	FLANGE, sPacer 2	1	
4	93306-20203	BEARING (B6202RS)	1	
5	93306-20205	BEARING (B6202)	1	
6	3R5-25121-01-98	PLATE, brake shoe	1	low gloss black
7	3R5-25130-00	BRAKE SHOE COMP.	2	
8	90506-16036	SPRING, tension	2	
9	322-25151-00	CAMSHAFT	2	
10	3R5-25155-00	LEVER, camshaft 1	1	
11	3R5-25156-00	LEVER, camshaft 2	1	
12	137-25159-00	SEAL, camshaft	2	
13	90101-06278	BOLT	2	
14	95301-06600	NUT	2	
15	3R5-25161-00	ROD, connecting	1	
16	95301-06700	NUT	1	
17	3R5-25163-00	END, rod 1	1	
18	3R5-25164-00	END, rod 2	1	
19	90240-06006	PIN, clevis	2	
20	92901-06200	WASHER, Plain	2	
21	91401-20012	PIN, cotter	2	
22	90508-20425	SPRING, torsion	1	
23	94416-21234	RIM (1.60-21)	1	
24	2W6-25104-01	SPOKE SET, front	1	
25	94130-21654	TIRE (3.00-21)	1	
26	94230-21126	TUBE (3.00-21)	1	inoue
27	94330-21088	BAND, rim (3.00-21)	1	inoue
28	2J5-25394-00	SPACER, bead	1	

D3

FIG. 23 FRONT WHEEL

REF. NO.	PART NO.	DESCRIPTION	Q'TY	REMARKS
29	1W2-25190-00	GEAR UNIT ASSY	1	
30	4V5-25181-00	AXLE, wheel	1	
31	90201-15785	WASHER, Plate	2	
32	90171-14020	NUT, castle	1	
33	91401-30030	PIN, cotter	1	



D4

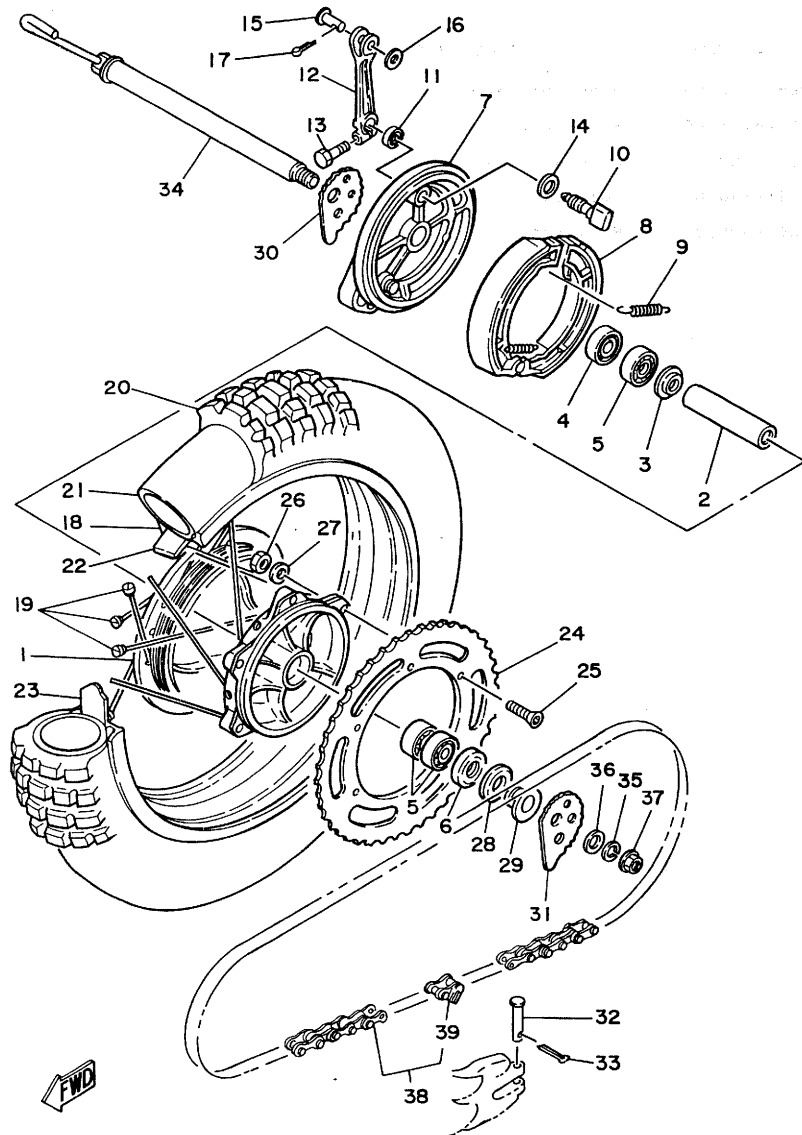


FIG. 24 REAR WHEEL

REF. NO.	PART NO.	DESCRIPTION	Q'TY	REMARKS
1	4V4-25311-00-98	HUB, rear	1	low gloss black
2	4V4-25317-00	SPACER, bearing	1	
3	4V4-25315-00	FLANGE, spacer	1	
4	93306-00418	BEARING	1	
5	93306-00406	BEARING (B6004Z)	3	
6	93102-28022	OIL SEAL	1	
7	4V5-25321-01-98	PLATE, brake shoe	1	low gloss black
8	4V4-25330-00	BRAKE SHOE COMP.	2	
9	90507-20002	SPRING, tension	2	
10	4V5-25151-00	CAMSHAFT	1	
11	148-25359-00	SEAL, camshaft	1	
12	431-25355-00	LEVER, camshaft	1	
13	90101-06291	BOLT	1	
14	148-25353-00	SHIM, camshaft	1	
15	1W2-27237-00	PIN, clevis	1	
16	90201-12631	WASHER, plate	1	
17	91401-25022	PIN, cotter	1	
18	94425-17281	RIM (2.50-17)	1	
19	4V6-25304-00	SPOKE SET, rear	1	
20	94156-17675	TIRE (5.60-17)	1	
21	94256-17180	TUBE (5.60-17)	1	
22	94332-17112	BAND, rim (3.25-17)	1	inoue
23	2X5-25394-00	SPACER, bead	2	
24	3R6-25444-10-33	SPROCKET, driven (44T)	1	UR STD
	3R6-25442-10-33	SPROCKET, driven (42T)	1	yamaha black
	3R6-25446-10-33	SPROCKET, driven (46T)	1	AP yamaha black
25	90110-08038	BOLT, hexagon socket head	6	
26	90185-08054	NUT, self-locking	6	

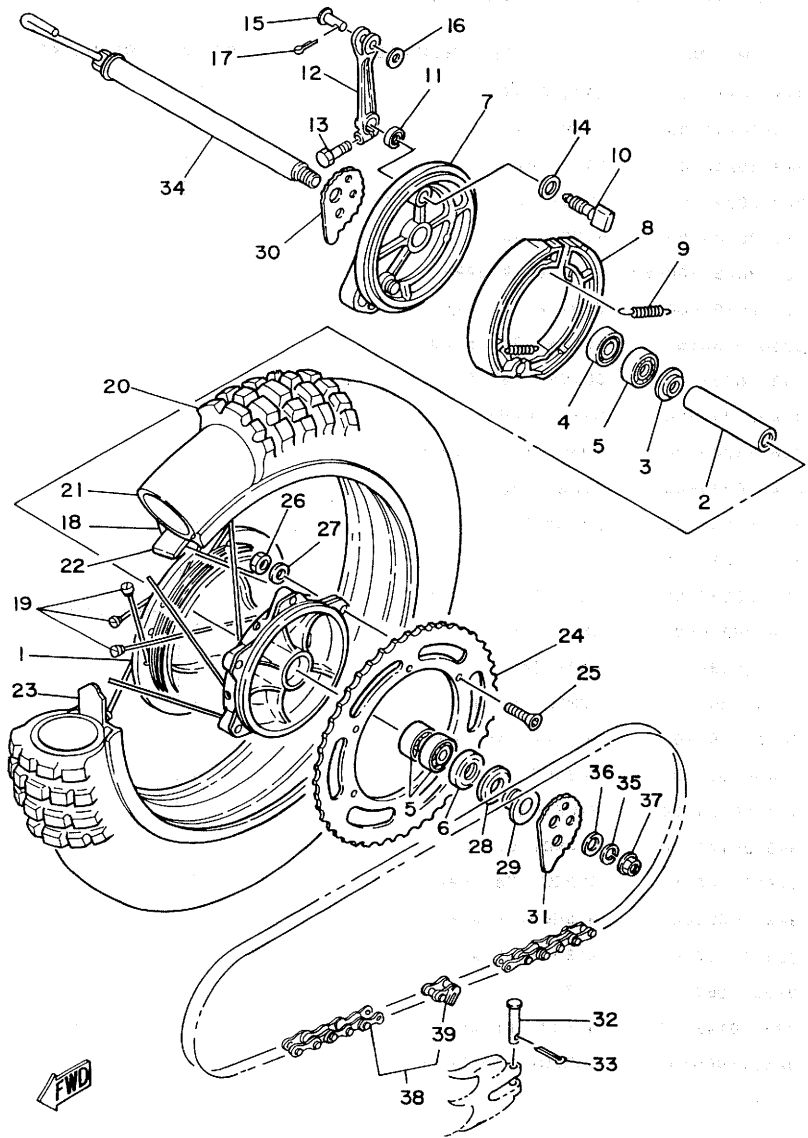
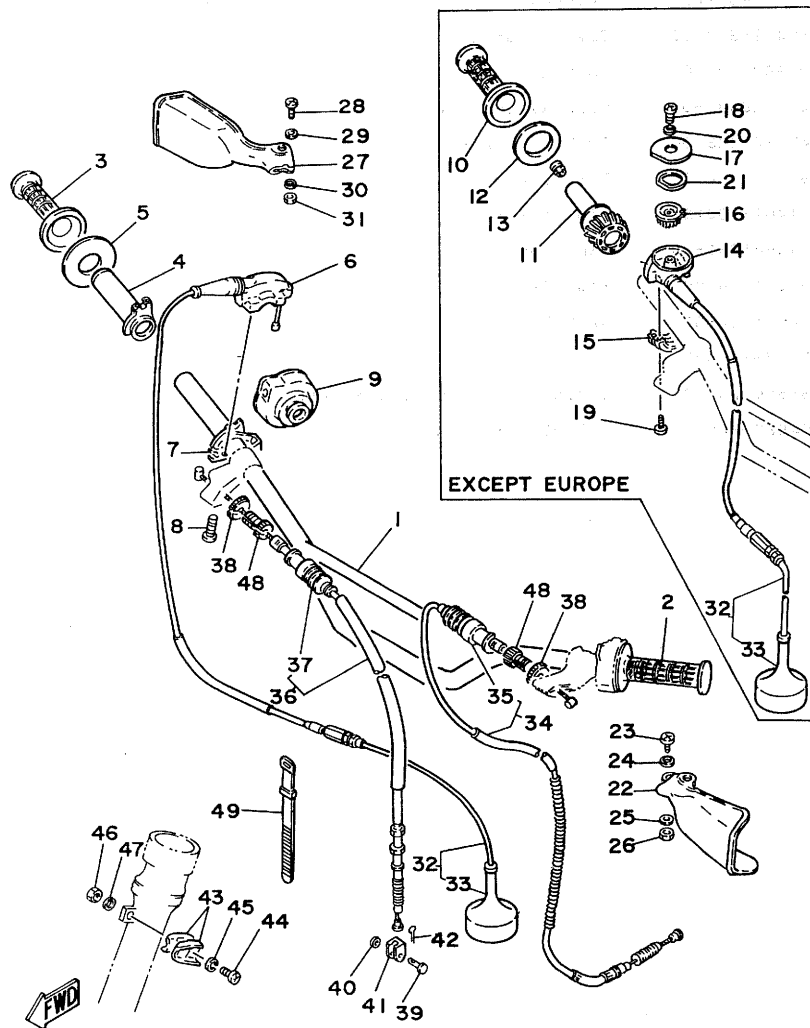


FIG. 24 REAR WHEEL

REF. NO.	PART NO.	DESCRIPTION	Q'TY	REMARKS
27	90201-081A6	WASHER, Plate	6	
28	4V4-25367-00	COVER, hub dust	1	
29	90387-201E6	COLLAR	1	
30	4V5-25389-00	PULLER, chain 2	1	
31	4V5-25388-00	PULLER, chain 1	1	
32	91701-05055	PIN, clevis	2	
33	91401-16012	PIN, cotter	2	
34	4V5-25381-00	AXLE, wheel	1	
35	92901-18100	WASHER, sPring	1	
36	92901-20600	WASHER	1	
37	90179-18332	NUT	1	
38	94585-20108	CHAIN, drive (D1D520DS 108L)	1	
39	94685-20001	JOINT, chain	1	

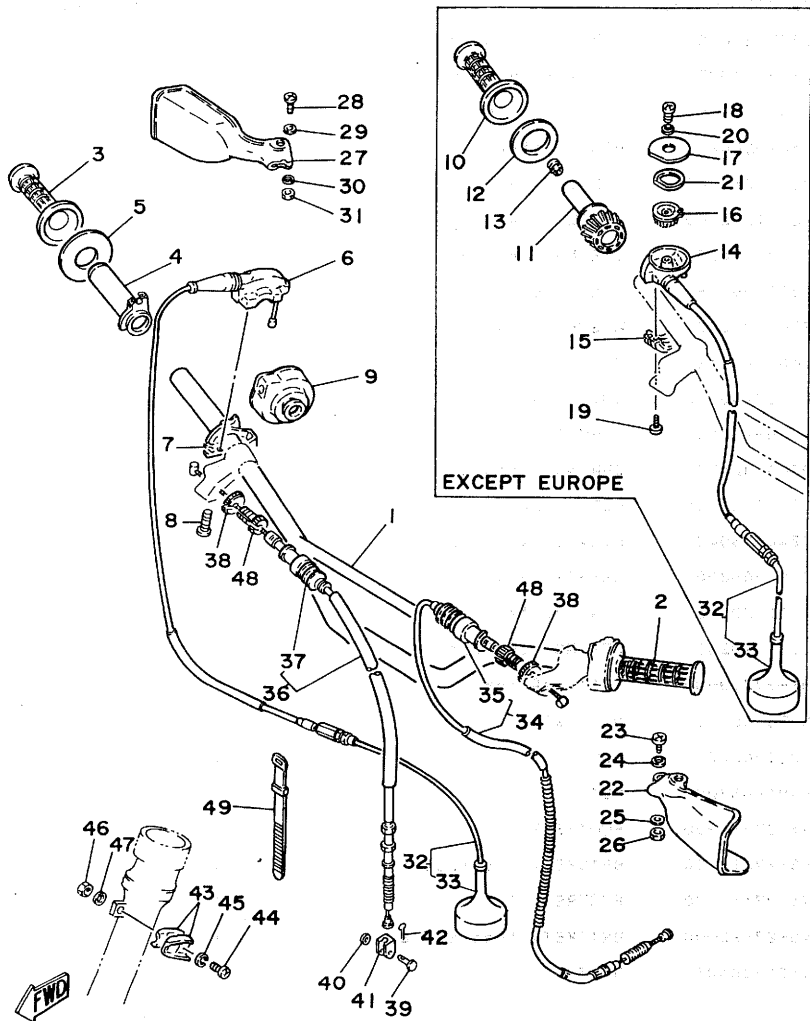
FIG. 25 HANDLEBAR-CABLE



REF. NO.	PART NO.	DESCRIPTION	Q'TY	REMARKS
1	3R4-26111-00	HANDLEBAR	1	
2	4V4-26241-00	GRIP (L.H)	1	
3	3R9-26242-00	GRIP (R.H)	1	}
4	322-26243-00	TUBE, throttle guide	1	
5	1W1-26249-00	RING, leaf	1	} for Europe
6	322-26281-00-98	CAP, grip upper	1	
7	322-26282-00-98	CAP, grip lower	1	
8	98501-05016	SCREW, Pan head	2	}
9	3R8-26287-00	COVER, cap grip	1	
10	4V4-26242-00	GRIP (R.H)	1	}
11	4V6-26243-00	TUBE, throttle guide	1	
12	4V4-26249-00	RING, leaf	1	} except Europe
13	688-82535-00	GROMMET	1	
14	4V4-26281-00	CAP, grip upper	1	
15	4V4-26282-00	CAP, grip lower	1	}
16	4V6-2628E-00	GEAR, bevel	1	
17	4V4-2628F-00	CAP, gear	1	}
18	98906-05010	SCREW, bind	1	
19	98501-05016	SCREW, Pan head	2	}
20	90430-05009	GASKET	1	
21	4V4-2628G-00	PACKING	1	}
22	3R9-26141-00	GUARD, brush 1	1	
23	92501-06015	SCREW, Pan head	1	} sky blue
24	92901-06600	WASHER, Plate	1	
25	92901-06200	WASHER, Plain	1	}
26	95301-06700	NUT	1	
27	3R9-26142-00	GUARD, brush 2	1	} sky blue
28	92501-06015	SCREW, Pan head	1	

P. N. 21006
Jan '81

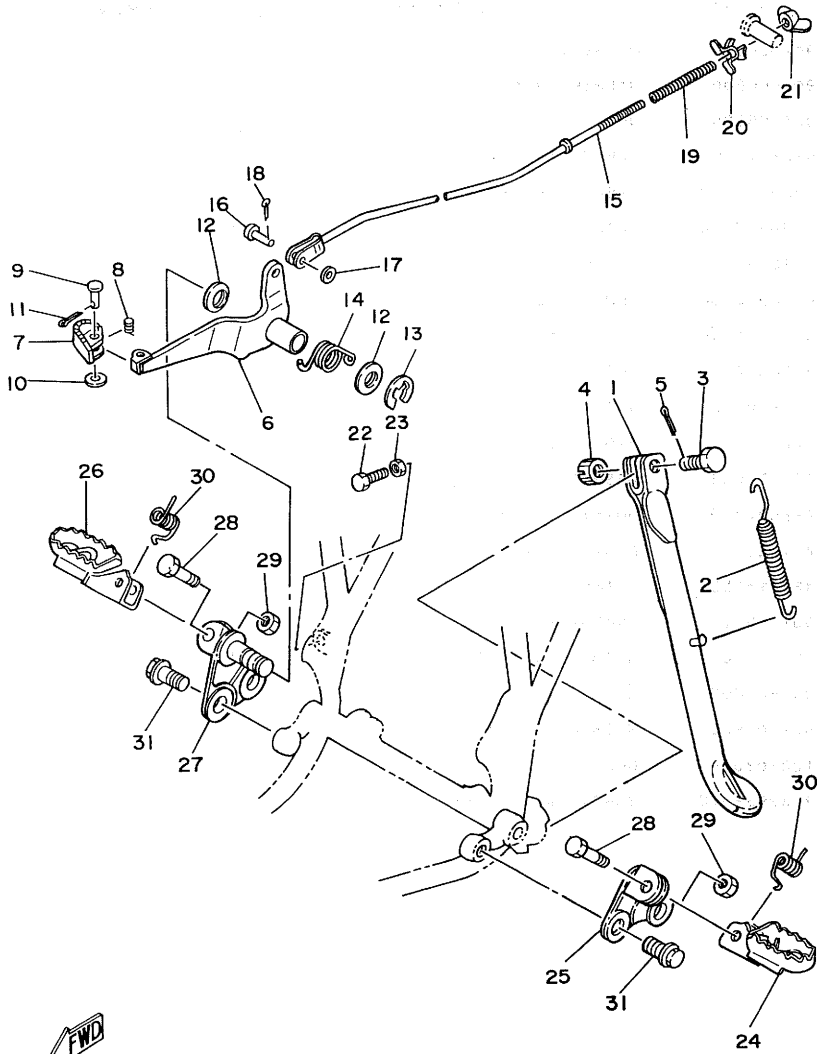
FIG. 25 HANDLEBAR CABLE



REF. NO.	PART NO.	DESCRIPTION	Q'TY	REMARKS
29	92901-06600	WASHER, Plate	1	
30	92901-06200	WASHER, Plain	1	
31	95301-06700	NUT	1	
32	1W6-26311-01	CABLE, throttle 1	1	for Europe
	4V4-26311-00	CABLE, throttle 1	1	except Europe
33	510-26329-00	.CAP, rubber	1	
34	4V5-26335-00	CABLE, clutch	1	
35	1E6-26342-00	.BOOT, cable	1	
36	4V5-26341-00	CABLE, brake	1	
37	1E6-26342-00	.BOOT, cable	1	
38	90179-08148	NUT	2	
39	90240-08012	PIN, clevis	1	
40	90201-08083	WASHER, Plate	1	
41	156-26347-00	JOINT, cable	1	
42	91401-20012	PIN, cotter	1	
43	90462-14055	CLAMP	2	
44	92501-06025	SCREW, Pan head	1	
45	92901-06100	WASHER, sPring	1	
46	95301-06600	NUT	1	
47	92901-06600	WASHER, Plate	1	
48	90123-08046	BOLT	2	
49	437-83936-10	BAND, switch cord	1	
50	90387-22660	COLLAR	1	

D8 10

FIG. 26 STAND•FOOTREST



REF. NO.	PART NO.	DESCRIPTION	Q'TY	REMARKS
1	4V5-27311-00-33	STAND, side	1	yamaha black
2	90507-29008	SPRING, tension	1	
3	90102-10006	BOLT, with hole	1	
4	95302-10900	NUT, slotted	1	
5	91401-20025	PIN, cotter	1	
6	4V5-27211-00	PEDAL, brake	1	
7	3R8-27242-00	PEDAL, brake	1	
8	90508-14429	SPRING, torsion	1	
9	91701-06028	PIN, clevis	1	
10	92901-06600	WASHER, Plate	1	
11	91401-20012	PIN, cotter	1	
12	4V5-27286-00	COVER, dust	2	
13	93430-10015	CIRCLIP	1	
14	90508-32478	SPRING, torsion	1	
15	4V6-27231-00	ROD, brake	1	
16	90240-06040	PIN, clevis	1	
17	92901-06200	WASHER, Plain	1	
18	91401-20012	PIN, cotter	1	
19	90501-10245	SPRING, compression	1	
20	1W2-27239-00	SEAT, spring	1	
21	90175-06013	NUT, wing	1	
22	97301-06020	BOLT	1	
23	95301-06700	NUT	1	
24	4V4-27411-00	FOOTREST 1	1	
25	4V5-27412-00	BRACKET, footrest 1	1	
26	4V4-27411-00	FOOTREST 1	1	
27	4V5-27422-00	BRACKET, footrest 2	1	
28	90101-08428	BOLT	2	



D9

FIG. 26 STAND•FOOTREST

REF. NO.	PART NO.	DESCRIPTION	Q'TY	REMARKS
29	95601-08100	NUT, u	2	
30	90508-20023	SPRING, torsion	2	
31	90105-12096	BOLT, washer based	4	

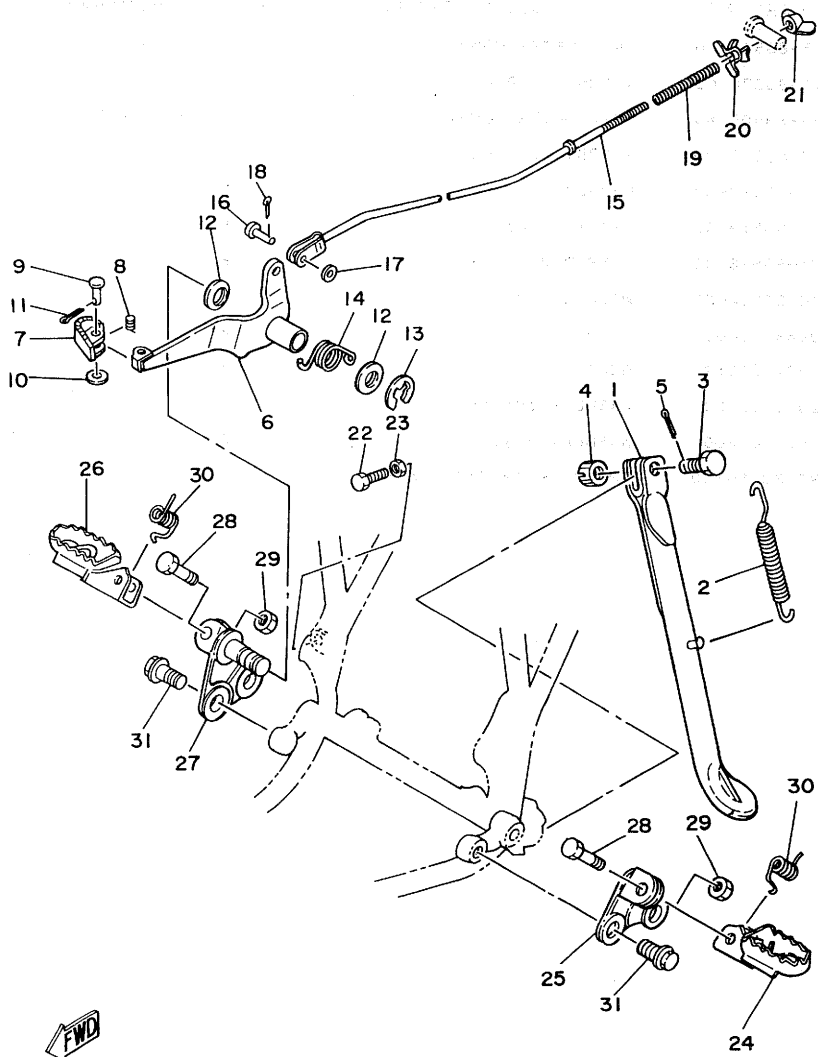
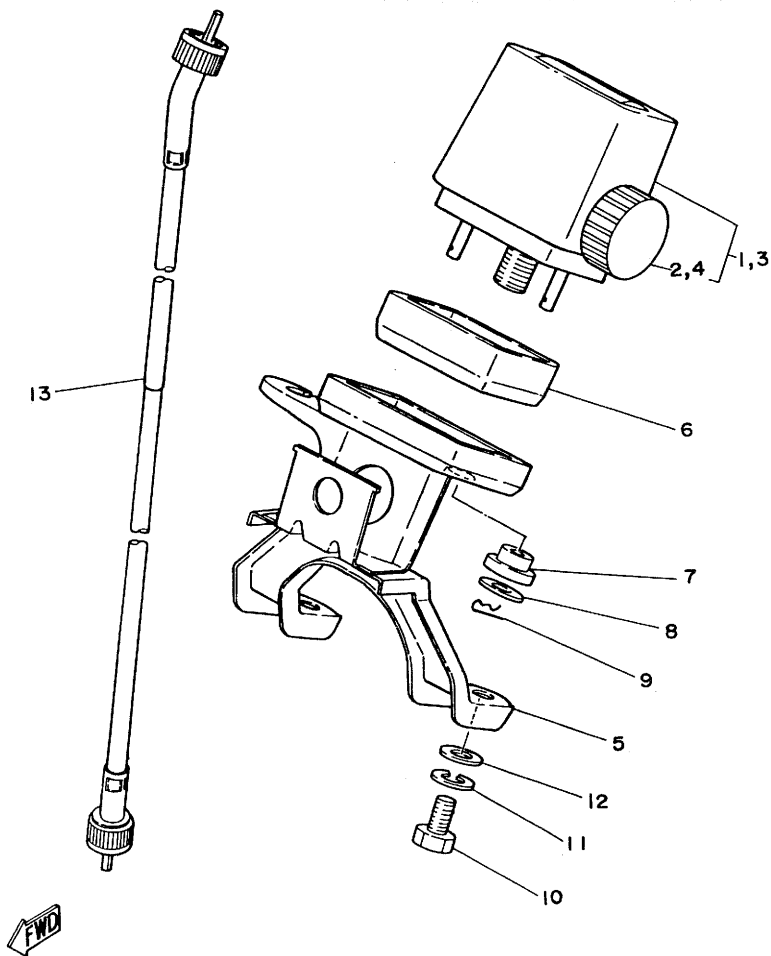


FIG. 27 METER



REF. NO.	PART NO.	DESCRIPTION	Q'TY	REMARKS
1	4V5-83505-F0	TRIP METER COMP.	1	UR km/h
2	4V5-83578-00	.KNOB, trip meter	1	
3	4V5-83505-60	TRIP METER COMP.	1	UR mile/h
4	4V5-83578-00	.KNOB, trip meter	1	
5	4V5-83513-00	DAMPER	1	
6	4V5-83519-00	BRACKET, meter	1	
7	1M1-83526-00	DAMPER 2	2	
8	1E6-83524-60	WASHER, sPecial	2	
9	90468-12007	CLIP	2	
10	97321-06012	BOLT	2	
11	92901-06100	WASHER, sPring	2	
12	92901-06600	WASHER, Plate	2	
13	4V5-83550-00	SPEEDOMETER CABLE ASSY	1	

FIG. 28 HEADLIGHT

REF. NO.	PART NO.	DESCRIPTION	Q'TY	REMARKS
1	4V5-84110-00	HEADLIGHT UNIT ASSY	1	
2	4G2-84114-00	.BULB, headlight	1	
3	4V5-84140-00	.SOCKET CORD ASSY	1	
4	4V5-84130-10	BODY ASSY, headlight	1	sky blue
5	4V5-84132-00	SPRING, screw	1	
6	849-84724-00	SCREW, lens fitting	1	
7	92901-04600	WASHER, Plate	2	
8	4V5-84134-00	NUT, adjust	1	
9	4V5-84143-00	DAMPER, headlight stay	1	
10	90480-12053	GROMMET	2	
11	4V5-83592-00	DAMPER	1	
12	4V5-84141-00	EMBLEM, headlight	1	

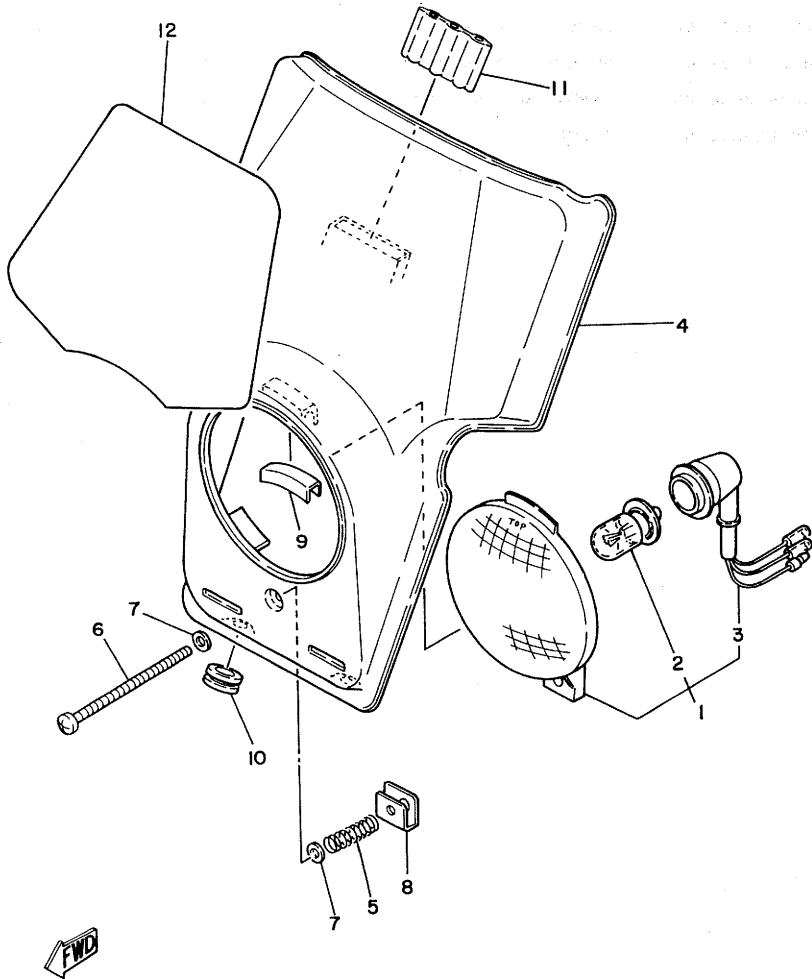
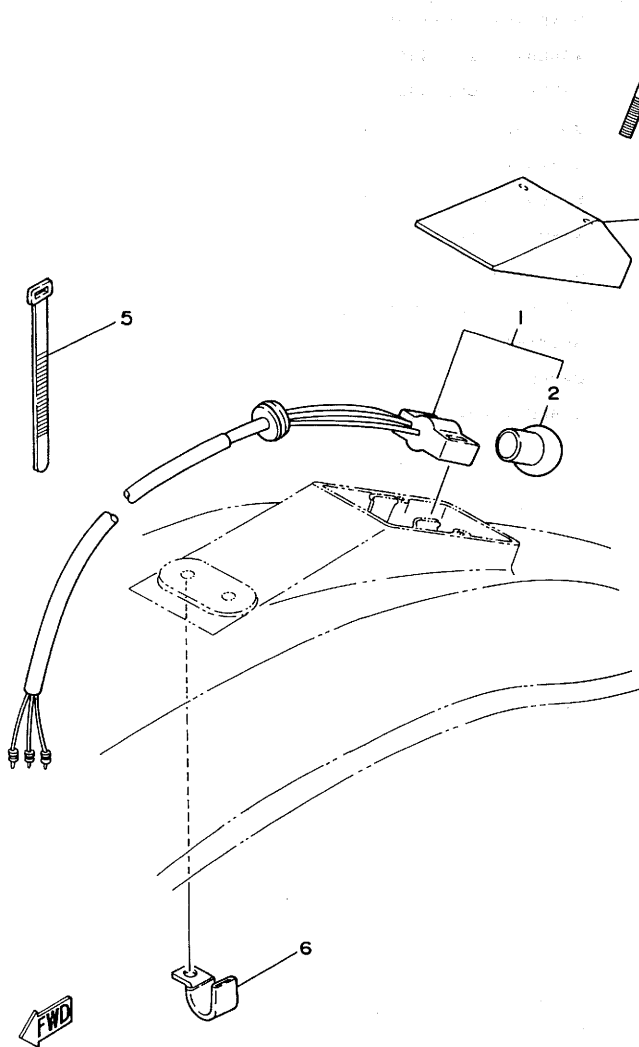
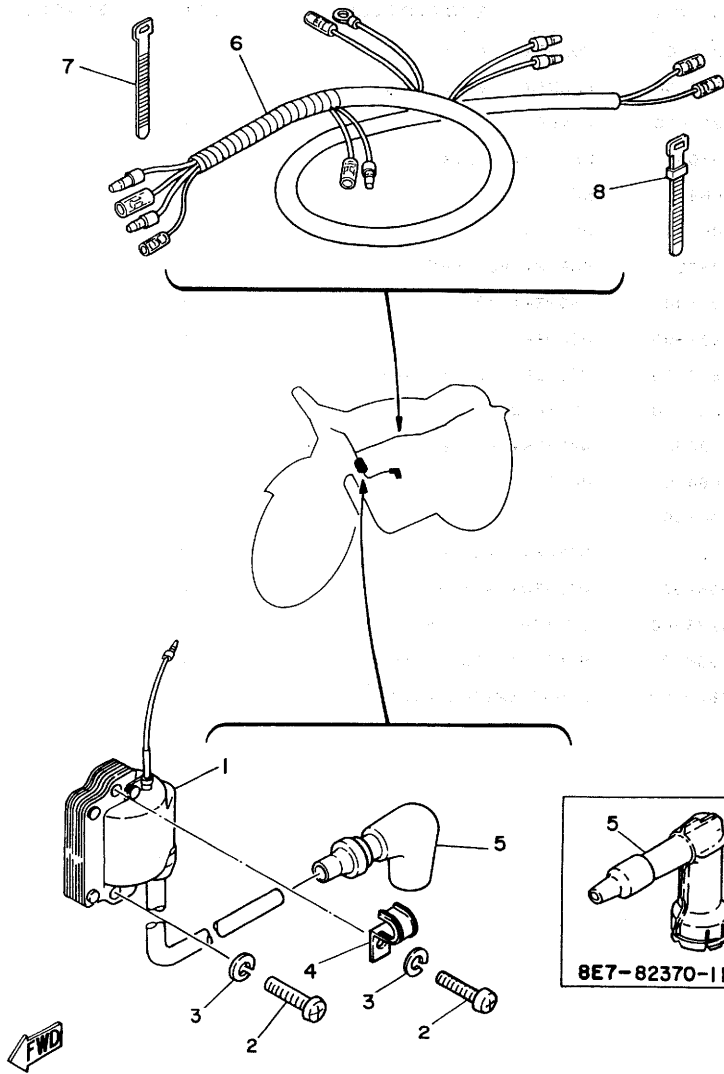


FIG. 29 TAILLIGHT



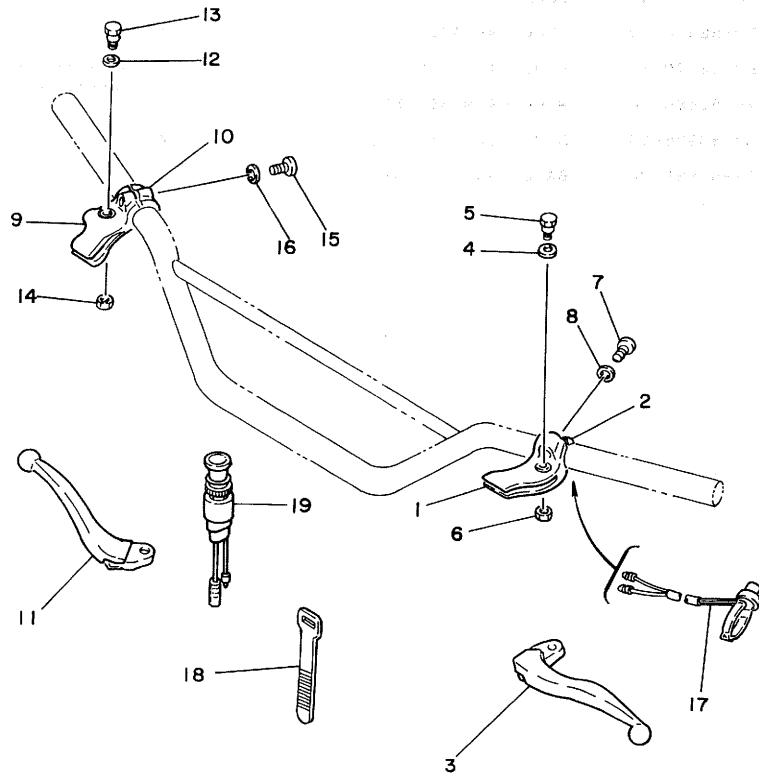
REF. NO.	PART NO.	DESCRIPTION	Q'TY	REMARKS
1	4V5-84530-00	SOCKET ASSY	1	
2	122-84514-30	BULB (6V-17/5.3W)	1	
3	4V5-84521-00	LENS, taillight	1	
4	802-84131-00	SCREW, rim adjuster	2	
5	437-83936-00	BAND, switch cord	2	
6	90462-05005	CLAMP	1	

FIG. 30 ELECTRICAL 1



REF. NO.	PART NO.	DESCRIPTION	Q'TY	REMARKS
1	1M2-82310-40	IGNITION COIL ASSY	1	
2	92501-06025	SCREW, Pan head	2	
3	92901-06100	WASHER, sPring	2	
4	90462-05005	CLAMP	1	
5	3R0-82370-20	PLUG CAP ASSY	1	UR
	8E7-82370-11	PLUG CAP ASSY	1	UR with noise suPPressor
6	4V5-82590-00	WIRE HARNESS ASSY	1	
7	437-83936-00	BAND, switch cord	4	
8	256-83936-00	BAND, switch cord	1	

FIG. 31 HANDLE SWITCH-LEVER



REF. NO.	PART NO.	DESCRIPTION	Q'TY	REMARKS
1	4V4-82911-00	HOLDER, lever 1	1	
2	4V4-82913-00	HOLDER, lever lower 1	1	
3	3M2-83912-00	LEVER 1	1	
4	90201-08083	WASHER, Plate	1	
5	90109-06410	BOLT	1	
6	95601-06100	NUT, u	1	
7	98506-05020	SCREW, Pan head	2	
8	92906-05100	WASHER, sPring	2	
9	4V4-82921-00	HOLDER, lever 2	1	
10	4V4-82913-00	HOLDER, lever lower 1	1	
11	3M2-83922-00	LEVER 2	1	
12	90201-08083	WASHER, Plate	1	
13	90109-06410	BOLT	1	
14	95601-06100	NUT, u	1	
15	98506-05020	SCREW, Pan head	2	
16	92906-05100	WASHER, sPring	2	
17	3R4-83976-00	SWITCH, handle 1	1	
18	437-83936-00	BAND, switch cord	2	
19	4V5-82520-00	LIGHT SWITCH ASSY	1	

FWD

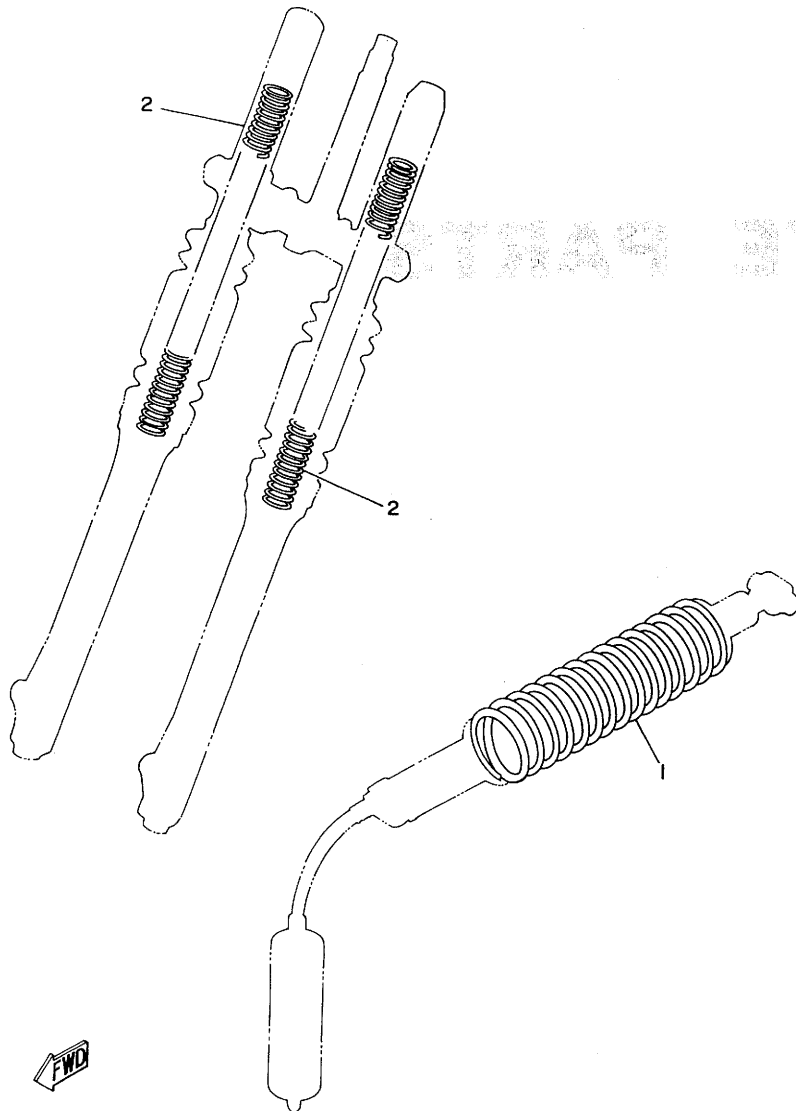
D15

FEDERAL BUREAU OF INVESTIGATION
U. S. DEPARTMENT OF JUSTICE
WASHINGTON, D. C. 20535
MEMORANDUM FOR THE DIRECTOR
DATE: 10/15/74
SUBJECT: [Illegible]

ALTERNATE PARTS

FIG. 32 ALTERNATE (CHASSIS)

REF. NO.	PART NO.	DESCRIPTION	Q'TY	REMARKS
1	4V5-22212-10	SPRING	1	UR soft (yellow/purple)
	4V5-22212-20	SPRING	1	UR hard (yellow/white)
2	4V5-23141-10	SPRING, front fork(K1=0.277, K2=0.314)	2	UR soft
	4V5-23141-20	SPRING, front fork(K1=0.339, K2=0.385)	2	UR hard



E2

FIG. 33 REPAIR KIT

REF. NO.	PART NO.	DESCRIPTION	Q'TY	REMARKS
1	4V6-11630-00	PISTON ASSY (STD)	1	
2	4V6-11631-00-94	.PISTON (STD)	1	UR
	4V6-11631-00-96	.PISTON (STD)	1	UR
3	4V6-11610-00	.PISTON RING SET (STD)	1	
4	275-11633-00	.PIN, Piston	1	
5	93450-19052	.CIRCLIP	2	
6	4V6-11630-10	PISTON ASSY (1ST O/S)	1	
7	4V6-11635-00	.PISTON (1ST O/S 0.25MM)	1	
8	4V6-11610-10	.PISTON RING SET (1ST O/S)	1	
9	275-11633-00	.PIN, Piston	1	
10	93450-19052	.CIRCLIP	2	
11	4V6-11630-20	PISTON ASSY (2ND O/S)	1	
12	4V6-11636-00	.PISTON (2ND O/S 0.50MM)	1	
13	4V6-11610-20	.PISTON RING SET (2ND O/S)	1	
14	275-11633-00	.PIN, Piston	1	
15	93450-19052	.CIRCLIP	2	
16	4V6-11630-30	PISTON ASSY (3RD O/S)	1	
17	4V6-11637-00	.PISTON (3RD O/S 0.75MM)	1	
18	4V6-11610-30	.PISTON RING SET (3RD O/S)	1	
19	275-11633-00	.PIN, Piston	1	
20	93450-19052	.CIRCLIP	2	
21	4V6-11630-40	PISTON ASSY (4TH O/S)	1	
22	4V6-11638-00	.PISTON (4TH O/S 1.00MM)	1	
23	4V6-11610-40	.PISTON RING SET (4TH O/S)	1	
24	275-11633-00	.PIN, Piston	1	
25	93450-19052	.CIRCLIP	2	
26	3R5-11650-00	CONNECTING ROD ASSY	1	
27	3R5-11651-00	.ROD, connectin	1	

FIG. 33 REPAIR KIT

REF. NO.	PART NO.	DESCRIPTION	Q'TY	REMARKS
28	3R5-11681-00	.PIN, crank 1	1	
29	90209-25085	.WASHER	2	
30	93310-42541	.BEARING, cylindrical	1	
31	93310-418E9	.BEARING, cylindrical	1	
32	4V6-W0001-00	GASKET KIT	1	
33	4V6-11181-00	.GASKET, cylinder head 1	1	
34	3R5-11351-00	.GASKET, cylinder	1	
35	2K7-13621-00	.GASKET, valve seat	1	
36	363-14184-00	.GASKET, float chamber	1	
37	3R4-14613-00	.GASKET, exhaust PiPe	1	
38	4V4-15451-00	.GASKET, crankcase cover	1	
39	3R4-15462-00	.GASKET, crankcase cover 3	1	
40	93210-14104	.O-RING	1	
41	90430-06016	.GASKET	1	
42	90430-12038	.GASKET	1	
43	93210-29282	.O-RING	1	
44	2K7-W0003-00	OIL SEAL KIT	1	
45	93103-30092	.OIL SEAL	1	
46	93103-40091	.OIL SEAL	1	
47	93102-17004	.OIL SEAL	1	
48	93102-32136	.OIL SEAL	1	
49	93101-12004	.OIL SEAL	1	
50	93109-20014	.OIL SEAL	1	

INDEX

Page	Page	Page	Page	Page	Page	Page	Page
1	2	3	4	5	6	7	8
9	10	11	12	13	14	15	16
17	18	19	20	21	22	23	24
25	26	27	28	29	30	31	32
33	34	35	36	37	38	39	40
41	42	43	44	45	46	47	48
49	50	51	52	53	54	55	56
57	58	59	60	61	62	63	64
65	66	67	68	69	70	71	72
73	74	75	76	77	78	79	80
81	82	83	84	85	86	87	88
89	90	91	92	93	94	95	96
97	98	99	100	101	102	103	104
105	106	107	108	109	110	111	112
113	114	115	116	117	118	119	120
121	122	123	124	125	126	127	128
129	130	131	132	133	134	135	136
137	138	139	140	141	142	143	144
145	146	147	148	149	150	151	152
153	154	155	156	157	158	159	160
161	162	163	164	165	166	167	168
169	170	171	172	173	174	175	176
177	178	179	180	181	182	183	184
185	186	187	188	189	190	191	192
193	194	195	196	197	198	199	200
201	202	203	204	205	206	207	208
209	210	211	212	213	214	215	216
217	218	219	220	221	222	223	224
225	226	227	228	229	230	231	232
233	234	235	236	237	238	239	240
241	242	243	244	245	246	247	248
249	250	251	252	253	254	255	256
257	258	259	260	261	262	263	264
265	266	267	268	269	270	271	272
273	274	275	276	277	278	279	280
281	282	283	284	285	286	287	288
289	290	291	292	293	294	295	296
297	298	299	300	301	302	303	304
305	306	307	308	309	310	311	312
313	314	315	316	317	318	319	320
321	322	323	324	325	326	327	328
329	330	331	332	333	334	335	336
337	338	339	340	341	342	343	344
345	346	347	348	349	350	351	352
353	354	355	356	357	358	359	360
361	362	363	364	365	366	367	368
369	370	371	372	373	374	375	376
377	378	379	380	381	382	383	384
385	386	387	388	389	390	391	392
393	394	395	396	397	398	399	400
401	402	403	404	405	406	407	408
409	410	411	412	413	414	415	416
417	418	419	420	421	422	423	424
425	426	427	428	429	430	431	432
433	434	435	436	437	438	439	440
441	442	443	444	445	446	447	448
449	450	451	452	453	454	455	456
457	458	459	460	461	462	463	464
465	466	467	468	469	470	471	472
473	474	475	476	477	478	479	480
481	482	483	484	485	486	487	488
489	490	491	492	493	494	495	496
497	498	499	500	501	502	503	504
505	506	507	508	509	510	511	512
513	514	515	516	517	518	519	520
521	522	523	524	525	526	527	528
529	530	531	532	533	534	535	536
537	538	539	540	541	542	543	544
545	546	547	548	549	550	551	552
553	554	555	556	557	558	559	560
561	562	563	564	565	566	567	568
569	570	571	572	573	574	575	576
577	578	579	580	581	582	583	584
585	586	587	588	589	590	591	592
593	594	595	596	597	598	599	600
601	602	603	604	605	606	607	608
609	610	611	612	613	614	615	616
617	618	619	620	621	622	623	624
625	626	627	628	629	630	631	632
633	634	635	636	637	638	639	640
641	642	643	644	645	646	647	648
649	650	651	652	653	654	655	656
657	658	659	660	661	662	663	664
665	666	667	668	669	670	671	672
673	674	675	676	677	678	679	680
681	682	683	684	685	686	687	688
689	690	691	692	693	694	695	696
697	698	699	700	701	702	703	704
705	706	707	708	709	710	711	712
713	714	715	716	717	718	719	720
721	722	723	724	725	726	727	728
729	730	731	732	733	734	735	736
737	738	739	740	741	742	743	744
745	746	747	748	749	750	751	752
753	754	755	756	757	758	759	760
761	762	763	764	765	766	767	768
769	770	771	772	773	774	775	776
777	778	779	780	781	782	783	784
785	786	787	788	789	790	791	792
793	794	795	796	797	798	799	800
801	802	803	804	805	806	807	808
809	810	811	812	813	814	815	816
817	818	819	820	821	822	823	824
825	826	827	828	829	830	831	832
833	834	835	836	837	838	839	840
841	842	843	844	845	846	847	848
849	850	851	852	853	854	855	856
857	858	859	860	861	862	863	864
865	866	867	868	869	870	871	872
873	874	875	876	877	878	879	880
881	882	883	884	885	886	887	888
889	890	891	892	893	894	895	896
897	898	899	900	901	902	903	904
905	906	907	908	909	910	911	912
913	914	915	916	917	918	919	920
921	922	923	924	925	926	927	928
929	930	931	932	933	934	935	936
937	938	939	940	941	942	943	944
945	946	947	948	949	950	951	952
953	954	955	956	957	958	959	960
961	962	963	964	965	966	967	968
969	970	971	972	973	974	975	976
977	978	979	980	981	982	983	984
985	986	987	988	989	990	991	992
993	994	995	996	997	998	999	1000

NUMERICAL INDEX

PART NO.	REF. NO.	PART NO.	REF. NO.	PART NO.	REF. NO.
4V6-W0001-00	33-32	4V6-11637-00	33-17	2N7-14185-00	5- 7
2K7-W0003-00	33-44	4V6-11638-00	2- 1	537-14186-00	5- 9
4V5-W1441-00	4-11		33-22	363-14190-35	5- 8
3R4-W1442-01	4-14	3R5-11650-00	33-26	239-14195-00	5-10
3R5-W1512-00	7- 9	3R5-11651-00	2-10	2K7-14197-00	5-11
4V5-W2473-10	22- 1		33-27	310-14197-00	5-14
3R5-11111-00	1- 1	3R5-11681-00	2- 9	737-14241-00	5-39
2N6-11127-00	1-13		33-28	509-14274-00	5-28
4V5-11161-00	1-14	3R4-13565-00	4- 7	4V5-14412-00	4-18
4V6-11181-00	1- 2	3R5-13610-00	4- 1	4V5-14452-01	4-19
	33-33	3R5-13613-00	4- 2	4V5-14455-00	4-20
4V5-1131E-00	1-15	2X5-13616-00	4- 3	1W4-14457-00	4-12
4V6-11311-00	1- 6	2K7-13621-00	4- 6	3R4-14458-00	4-15
3R5-11351-00	1- 7		33-35	4V4-14459-00	4-16
	33-34	4V6-14101-00	5- 1	4V4-14484-00	4-24
4V6-11400-00	2- 6	2X8-14112-25	5-27	4V4-14499-00	4-25
4V6-11412-00	2- 7	510-14115-00	5-31	4V6-14610-00	6- 1
4V6-11422-00	2- 8	239-14116-36	5-33	3R4-14613-00	6- 2
4V6-11610-00	2- 2	2A0-14122-00	5-25		33-37
	33- 3	1W3-14123-00	5-23	3R5-14619-00	1-12
4V6-11610-10	2- 2	363-14131-00	5-17	1M1-14714-00	6- 9
	33- 8	137-14133-00	5-22	565-14747-00	6-16
4V6-11610-20	2- 2	256-14135-00	5-37	4V5-14752-00	6-12
	33-13	509-14136-00	5-35	4V5-14753-00	6-11
4V6-11610-30	2- 2	164-14137-00	5-34	565-14771-00	6-20
	33-18	363-14137-00	5-21	3R4-14781-02	6- 4
4V6-11610-40	2- 2	737-14137-00	5-40	3R5-15111-00	7- 1
	33-23	510-14141-52	5- 5	3R4-15113-00	7-17
4V6-11630-00	33- 1	193-14142-35	5- 4	4V4-15118-00	7-15
4V6-11630-10	33- 6	137-14143-70	5- 6	1G8-15362-00	8-11
4V6-11630-20	33-11	137-14143-72	5- 6	3R4-15381-00	7-13
4V6-11630-30	33-16	137-14143-74	5- 6	3R4-15383-00	7- 6
4V6-11630-40	33-21	3R4-14146-00	5-29	3R5-15411-00	8- 1
4V6-11631-00-94	2- 1	558-14147-00	5-32	3R4-15421-00	8- 4
	33- 2	8F2-14147-00	5-18	3R4-15431-01	8- 8
4V6-11631-00-96	2- 1	2X8-14153-00	5-30	4V4-15451-00	8- 2
	33- 2	3R4-14155-00	5-20		33-38
275-11633-00	2- 3	3R4-14158-00	5-24	3R4-15462-00	8- 9
	33- 4	127-14161-00	5-19		33-39
	33- 9	802-14161-00	5-26	2K7-15618-00	9-17
	33-14	1W1-14171-00	5-36	4V3-15620-00	9-11
	33-19	2X7-14173-00	5-41	4V3-15621-00	9-12
	33-24	802-14174-00	5-38	3R4-15641-00	9- 2
4V6-11635-00	2- 1	1W3-14175-00	5-43	3R4-15651-00	9- 7
	33- 7	1W3-14178-00	5-42	3R4-15660-00	9- 1
4V6-11636-00	2- 1	3R4-14181-16	5- 2	3R4-15664-00	9- 6
	33-12	363-14184-00	5- 3	3R5-16111-00	10- 1
4V6-11637-00	2- 1		33-36	3R4-16150-00	10- 7

NUMERICAL INDEX

PART NO.	REF. NO.	PART NO.	REF. NO.	PART NO.	REF. NO.
2K7-16154-00	10-15	1M1-21621-00	15-14	4V5-23136-L0	20- 3
2K7-16181-00	10-14	4V5-21629-00	15-10	4V5-23141-L0	20-16
3R5-16300-00	10- 6	4V5-21711-10-26	16- 1	4V5-23141-10	32- 2
3B3-16321-00	10-11	4V5-21721-10-26	16- 7	4V5-23141-20	32- 2
168-16325-00	10-10	2J5-21732-00	14-26	1W4-23142-L0	20-17
1M1-16351-00	10- 9	4V6-21737-00	16-12	3R4-23144-00	20- 8
3R4-16356-00	10-18	565-21746-00	15-15	1W4-23145-L0	20- 5
3R5-16357-00	10-24	4V6-22110-00-35	17- 1	4V2-23146-L0	20- 6
3R4-16371-00	10- 8	1W1-22128-00	18-32	3R4-23148-00	20- 9
4V4-16380-00	10-29	3R4-22129-00	17- 7	1W4-23151-L0	20-14
3R5-17121-01	11- 9	3R4-22141-00	17-13	3R4-23153-00	20- 7
3R5-17131-01	11- 6	3R4-22147-00	17-30	4V2-23157-L0	20-15
4V6-17141-00	11- 3	431-22151-03	17-12	509-23158-L0	20-28
4V6-17151-00	11- 8	3R5-22153-00	17-17	509-23163-L0	20-27
4V6-17211-00	11-20	4X4-22178-00	14-16	4V2-23167-L0	20-26
4V6-17221-00	11-13	2X4-22179-00	17-16	4V5-23170-L0	20-13
3R5-17231-02	11-18	4V4-22184-00	14-17	3R4-23173-L0	20-11
4V6-17241-00	11-19	2X4-22199-00	17-18	3R4-23181-L0	20-30
4V6-17251-00	11-16	4V5-22210-10	32- 1	1W1-23185-L0	20-23
4V6-17411-00	11- 1	4V5-22210-20	32- 1	509-23190-L0	20-24
3R5-17421-00	11-12	4V6-22210-00	18- 1	3R4-23191-M0	20-19
1W4-17461-30	11-27	4V6-22212-00	18-19	1W4-23192-L0	20-20
1W4-17461-40	11-27	3R4-22213-00	18-17	4V2-23194-L0	20-38
1W4-17461-50	11-27	3R4-22214-00	18-20	1W2-23318-00	19-20
3R4-18101-01	13- 1	1W1-22216-00	18- 3	4V5-23340-L0-33	20-18
4V4-18111-04	13- 2	3R4-22221-01	18-16	3R4-23389-00	19- 2
1W6-18113-00	13- 6	3R4-22223-00	18-22		20-25
3R4-18140-00	12- 7	3R4-22224-00	18-21	4V5-23389-00	20-39
3R8-18162-00	13- 3	3R4-22226-00	18-12	1W1-23416-00	19-18
1W1-18177-00	12- 9	3R4-22228-00	18-10	1E6-23434-00	19- 4
3R4-18185-00	12- 2	3R4-22261-00	18-34	3R4-23435-00-98	19- 1
3R5-18511-00	12-10	4V4-22262-01	18-35	1E6-23441-00-98	19-14
3R5-18512-00	12-11	4V5-22311-00	17-34	3R4-23442-00-98	19- 3
3R5-18513-00	12-12	4V6-22401-00	18- 2	1W4-23489-L0	20-21
4V4-18531-00	12-14	3R4-22409-00	18-11	4V5-24110-10	21- 1
4V4-18535-00	12-15	4L0-22472-00	18- 8	1W1-24144-01	21- 3
3R5-18540-02	12- 1	3R4-22473-00	18- 7	3R3-24173-00	21-11
3R4-18561-00	12- 3	3R4-22475-00	18- 6	3R4-24181-00	21-29
4V5-21110-00-33	14- 1	3R4-22489-00	18- 5	431-24181-00	14-27
288-21376-00	3-24	2W6-22493-00	18- 9		16- 6
3R4-2139W-00	14-23	3R4-22497-00	18-14	1W1-24182-01	21- 2
3R4-21415-00	14- 2	4V5-23101-L0	20- 1	1W1-24183-00	21-28
4V4-21425-00	14- 4	4V2-23110-L0	20-10	4V5-24240-09	21-30
4V5-2147A-00-33	14-24	1W4-23111-L1	20-22	4V5-24500-00	21-12
4V5-2147E-00-33	14-25	1W4-23114-L0	20-12	4X8-24515-00	21-20
2K7-2148A-00	14-15	1W4-23118-L0	20-40	4X8-24521-00	21-17
3R8-21511-11	15- 1	122-23119-01	20-37	4V5-24524-00	21-13
4V5-21610-10	15- 6	4V2-23125-L0	20- 4	4V5-24525-00	21-14
		4V5-23126-L0	20- 2		
		122-23129-00	20-29		

NUMERICAL INDEX

PART NO.	REF. NO.	PART NO.	REF. NO.	PART NO.	REF. NO.
357-24529-10	21-15	4V4-26241-00	25- 2	4V4-82921-00	31- 9
4X8-24533-00	21-16	3R9-26242-00	25- 3	4V5-83505-F0	27- 1
4X8-24535-00	21-19	4V4-26242-00	25-10	4V5-83505-60	27- 3
4X8-24565-00	21-18	322-26243-00	25- 4	4V5-83513-00	27- 5
1K7-24611-01	21-25	4V6-26243-00	25-11	4V5-83519-00	27- 6
1K7-24612-02	21-26	1W1-26249-00	25- 5	1E6-83524-60	27- 8
509-24724-00	22- 6	4V4-26249-00	25-12	1M1-83526-00	27- 7
1W1-24738-00	22- 4	4V6-2628E-00	25-16	4V5-83550-00	27-13
1M1-24748-00	22- 3	4V4-2628F-00	25-17	4V5-83578-00	27- 2
4V5-24771-10	22- 2	4V4-2628G-00	25-21		
4V5-24833-00	22-11	322-26281-00-98	25- 6	4V5-83592-00	28-11
4V5-24850-00	22-10	4V4-26281-00	25-14	3M2-83912-00	31- 3
2W6-25104-01	23-24	322-26282-00-98	25- 7	3M2-83922-00	31-11
1K7-25111-10-98	23- 1	4V4-26282-00	25-15	256-83936-00	30- 8
146-25116-00	23- 3	3R8-26287-00	25- 9	437-83936-00	29- 5
3R5-25121-01-98	23- 6	1W6-26311-01	25-32		
3R5-25130-00	23- 7	4V4-26311-00	25-32		
322-25151-00	23- 9	510-26329-00	25-33	437-83936-10	25-49
4V5-25151-00	24-10	4V5-26335-00	25-34	3R4-83976-00	31-17
3R5-25155-00	23-10	4V5-26341-00	25-36	4V5-84110-00	28- 1
3R5-25156-00	23-11	1E6-26342-00	25-35	4G2-84114-00	28- 2
137-25159-00	23-12		25-37	4V5-84130-10	28- 4
3R5-25161-00	23-15	156-26347-00	25-41	802-84131-00	29- 4
3R5-25163-00	23-17	4V5-27211-00	26- 6	4V5-84132-00	28- 5
3R5-25164-00	23-18	4V6-27231-00	26-15	4V5-84134-00	28- 8
4V5-25181-00	23-30	1W2-27237-00	24-15	4V5-84140-00	28- 3
1W2-25190-00	23-29	1W2-27239-00	26-20		
4V6-25304-00	24-19	3R8-27242-00	26- 7	4V5-84141-00	28-12
4V4-25311-00-98	24- 1	4V5-27286-00	26-12	4V5-84143-00	28- 9
4V4-25315-00	24- 3	4V5-27311-00-33	26- 1	122-84514-30	29- 2
4V4-25317-00	24- 2	4V4-27411-00	26-24	4V5-84521-00	29- 3
4V5-25321-01-98	24- 7		26-26	4V5-84530-00	29- 1
4V4-25330-00	24- 8	4V5-27412-00	26-25	849-84724-00	28- 6
148-25353-00	24-14	4V5-27422-00	26-27	4V6-85500-20	3- 1
431-25355-00	24-12	1W2-28100-10	22-15	3R5-85509-20	3- 3
148-25359-00	24-11	1W1-28135-10	22-16	3R5-85511-20	3- 4
4V4-25367-00	24-28	648-45533-00-03	17- 6	3R5-85512-20	3- 5
4V5-25381-00	24-34	104-81328-20	3-10	4V6-85513-20	3- 6
4V5-25388-00	24-31	110-81345-21	3-17	4V6-85515-20	3- 9
4V5-25389-00	24-30	1M2-82310-40	30- 1	1W2-85516-20	3- 8
2J5-25394-00	23-28	3R0-82370-20	30- 5	3R5-85540-20	3-23
2X5-25394-00	24-23	8E7-82370-11	30- 5	3R5-85550-20	3- 2
3R6-25442-10-33	24-24	4V5-82520-00	31-19	4V6-85580-20	3- 7
3R6-25444-10-33	24-24	688-82535-00	25-13	90101-06278	23-13
3R6-25446-10-33	24-24	4V5-82590-00	30- 6	90101-06291	24-13
3R4-26111-00	25- 1	4V4-82911-00	31- 1	90101-06304	22- 5
3R9-26141-00	25-22	4V4-82913-00	31- 2	90101-08428	26-28
3R9-26142-00	25-27		31-10	90102-10006	26- 3
				90105-12096	26-31
				90105-14136	19-13
				90109-06410	31- 5
					31-13

NUMERICAL INDEX

PART NO.	REF. NO.	PART NO.	REF. NO.	PART NO.	REF. NO.
90109-06551	6-24	90201-08114	6-18	90430-12038	7-20
90109-08397	20-31	90201-08544	20-35		33-42
90109-08512	6-19	90201-08638	14-22	90445-08577	10-30
90109-08599	17- 2	90201-12593	3-22	90445-09117	21-27
90109-10550	18-25	90201-12631	24-16	90445-11152	21-23
90110-08038	24-25	90201-13202	14-18	90460-43053	6-10
90116-08321	1- 4	90201-15234	9-15	90460-51109	4- 8
90116-12315	1- 8	90201-15785	23-31	90460-68120	4-10
90116-12316	1- 9	90201-17327	10-27	90462-05005	29- 6
90119-06022	21- 9	90201-17545	9- 8		30- 4
90123-08046	25-48	90201-20278	11-21	90462-14055	25-43
90149-06011	21-22	90201-20358	9- 4	90467-10008	21-24
90149-08143	10-20	90201-25287	11- 4	90467-20030	4-13
90159-06016	10-13		11-14	90468-12007	27- 9
90170-12067	3-20	90202-06010	21-21	90468-26048	9- 3
90170-16111	17-14	90206-14067	18-24	90480-12053	16-11
90170-18089	10- 4	90209-06187	15- 5		28-10
90170-20213	18-18	90209-10195	19- 6	90480-13197	4-21
90170-20255	10-17	90209-12143	19- 5	90480-22263	18-33
90171-14020	23-32	90209-20213	11-10	90501-10245	26-19
90175-06012	4-17	90209-22082	11- 7	90501-12081	9-14
90175-06013	26-21		11-17	90501-24408	10-12
90179-08148	25-38	90209-25085	2-12	90506-16036	23- 8
90179-08278	17- 3		33-29	90507-20002	24- 9
90179-08299	1- 5	90215-20125	10-16	90507-20030	6- 3
90179-12244	9-18	90215-21121	11-28	90507-29008	26- 2
90179-18332	24-37	90240-06006	23-19	90508-14423	10-28
90179-20255	11-29	90240-06040	26-16	90508-14429	26- 8
90179-25033	19-19	90240-08012	25-39	90508-20023	26-30
90185-08054	14-14	90240-12074	18-29	90508-20415	13- 4
	24-26	90243-08017	13- 5	90508-20425	23-22
90201-06042	13- 7	90280-03017	2-15	90508-26421	12- 8
90201-06067	15- 2	90282-04036	12- 5	90508-30422	9- 5
	15- 9	90282-07019	10- 2	90508-32374	13-12
	15-13	90338-07011	7-10	90508-32478	26-14
	17-38	90340-12059	7-19	90560-12171	13-11
	17-40	90380-12051	18-13	90560-15116	23- 2
	22-13	90380-16077	17-11	91316-06020	4- 9
	21- 8	90386-22097	17- 8	91316-06025	8-10
90201-06407	16- 5	90387-07393	21- 7	91316-06045	7- 5
90201-06571	16-10	90387-08258	6-10	91316-06050	7- 4
	1-18	90387-16776	7- 8	91316-06060	7- 3
90201-06709	25-40		7-12	91316-06075	7- 2
90201-08083	31- 4	90387-201E6	24-29	91401-16012	24-33
	31-12	90387-25663	11-26	91401-20012	23-21
90201-08092	10-22	90430-05009	25-20		25-42
90201-081A6	24-27	90430-06016	8-14		26-11
90201-08113	14-19		33-41		26-18

NUMERICAL INDEX

PART NO.	REF. NO.	PART NO.	REF. NO.	PART NO.	REF. NO.
91401-20025	18-28 26- 5 24-17	92901-06100	27-11 30- 3 23-20	92906-05100	31-16 8- 6 15- 8
91401-25022	24-17	92901-06200	25-25 25-30	92906-06600	8- 7 13- 9
91401-30022	18-31		26-17	93101-12004	33-49
91401-30030	23-33		3-19	93102-17004	10-26 33-47
91402-20018	19- 9	92901-06600	6-15 6-23	93102-28022	24- 6
91701-05055	24-32		17-24	93102-32136	11-25 33-48
91701-06028	26- 9		17-37		2-14
91810-05016	7-11		21- 6	93103-30092	33-45
91810-17016	1-11		25-24	93103-40091	2-17 33-46
92501-06010	7-16		25-29		17- 9
92501-06012	6-13 7-14 7-18		25-47	93108-35004	9-10
	16- 3		26-10	93109-20014	33-50
92501-06015	16- 8 25-23 25-28	92901-08100	6- 7 10-21		17-10
	3-18		14- 6	93109-22018	8-12
92501-06020	17-22 17-35		17-20	93210-14104	33-40
	22-12		17-28	93210-29282	10- 5
92501-06025	25-44 30- 2	92901-08200	20-34 6- 5		33-43
	18-36		14-13	93306-00406	24- 5
92502-06016	8-13	92901-08600	6- 8 14- 7	93306-00418	24- 4
92506-06008	8- 5		17-21	93306-00422	12- 4
92506-06025	8- 3		17-29	93306-20107	12-16
92506-06035	7- 7		19- 7	93306-20203	23- 4
92701-06012	4- 5	92901-10100	14-10	93306-20205	23- 5
92901-03100	3-12	92901-10200	3-21	93306-20540	11- 2
92901-04100	3-14 3-16	92901-12100	18-30	93306-20544	11-24
	28- 7	92901-12600	17-15	93306-30615	2-13 2-16
92901-05100	17-32	92901-16100	10- 3	93310-418E9	2- 5
92901-05200	17-33	92901-18100	24-35		33-31
92901-05600	19-22		24-36	93310-42541	2-11
92901-06100	1-17 4-23 6-14 6-22	92901-20600	5-16		33-30
	16- 4	92902-03600	5-13	93311-62035	11-11
	16- 9	92902-05100	15- 4		11-23
	17-23	92902-06100	15-12 18-37	93315-21721	10-25
	17-36		22- 8	93317-22214	17- 5
	17-42	92902-06600	18-38 22- 9	93332-00001	19-16
	20-36		93342-22208	93332-00008	19-17
	21- 5	92902-08200	16- 2	93410-17008	17- 4
	25-45	92902-10600	18-27	93410-20038	9- 9
		92906-05100	31- 8	93430-10015	11-22
				93430-10016	26-13 9-16

NUMERICAL INDEX

PART NO.	REF. NO.	PART NO.	REF. NO.	PART NO.	REF. NO.
93440-25084	11- 5 11-15	95811-08080	14- 3 14-12	93440-50078	18-23
	18-23	95811-08170	14- 9	93450-19052	2- 4
	33- 5	95811-10055	19-15		33- 5
	33-10	95821-08035	19-10		33-10
	33-15	95821-08040	19-11		33-15
	33-20	95821-08055	1-16		33-20
	33-25	97301-06012	21- 4		33-25
	9-13	97301-06015	15-11	93507-32009	9-13
	10-19		22- 7	93515-32029	10-19
	18-15	97301-06016	4-22	93604-26132	18-15
	12-13		6-21	93606-14154	12-13
	13-10	97301-06020	17-41	93608-25150	13-10
	23-25		26-22	94130-21654	23-25
	24-20	97301-06050	17-25	94156-17675	24-20
	23-26	97301-08016	6- 6	94230-21126	17-19
	24-21		17-27	94256-17180	23-26
	23-27	97301-08035	14-20	94330-21088	24-21
	24-22	97301-08055	15- 3	94332-17112	23-27
	23-23	97302-06020	15- 7	94416-21234	24-22
	24-18	97306-06016	27-10	94425-17281	23-23
	24-38	97321-06012	13- 8	94585-20108	24-18
	24-39	97321-06020	14- 5	94685-20001	24-38
	19-23	97321-08025	5-15	95301-05600	24-39
	23-14	97602-03108	4- 4	95301-06600	19-23
	25-46	98501-03008	18- 4		23-14
	23-16	98501-04005	3-15	95301-06700	25-46
	25-26	98501-04014	3-13		23-16
	25-31	98501-04030	3-11		25-26
	26-23	98501-04035	17-31		25-31
	18-26	98501-05010	5-12	95302-10700	26-23
	19- 8	98501-05016	25- 8		18-26
	26- 4		25-19		19- 8
	20-33	98501-05018	19-21	95302-10900	26- 4
	20-32	98506-05020	31- 7	95311-06600	20-33
	10-23		31-15	95311-08600	20-32
	17-39	98701-05016	12- 6	95311-08700	10-23
	31- 6	98902-06018	21-10	95601-06100	17-39
	31-14	98906-05010	25-18		31- 6
	26-29	*	1- 3		31-14
	14-11			95601-08100	26-29
	22-14			95601-10100	14-11
	19-12			95602-06100	22-14
	1-10			95701-08100	19-12
	17-26			95701-12100	1-10
	14-21			95702-06300	17-26
	14- 8			95702-08300	14-21
				95811-08075	14- 8

PARTS NAME INDEX

DESCRIPTION	REF. NO.
ABSORBER 1	1-14
ABSORBER 3	1-13
AIR CLEANER CASE COMP.	4-11
AIR VALVE COMP.	20-24
ARM, tensioner	17-16
AXLE, drive	11-12
AXLE, main (12T)	11- 1
AXLE, wheel	23-30
*	24-34
BALL	9-13
*	10-19
BAND	4-20
*	20-20
*	20-21
BAND, rim (3.00-21)	23-27
BAND, rim (3.25-17)	24-22
BAND, switch cord	25-49
*	29- 5
*	30- 7
*	30- 8
*	31-18
BAND, tank fitting 1	21-11
BAND, tool	3-24
BAR, shift fork guide 1	12-14
BAR, shift fork guide 2	12-15
BASE, magneto	3- 3
BEARING	11- 2
*	11-24
*	12- 4
*	17- 4
*	19-16
*	19-17
*	24- 4
BEARING (B6004Z)	24- 5
BEARING (B6201)	12-16
BEARING (B6202)	23- 5
BEARING (B6202RS)	23- 4
BEARING (B6306)	2-13
*	2-16
BEARING, cylindrical	2- 5
*	2-11
*	10-25
*	11-11
*	11-23
*	17- 5
*	33-30
*	33-31

PARTS NAME INDEX

DESCRIPTION	REF. NO.
BODY ASSY, headlight	28- 4
BODY, cap	21-25
BODY, float chamber 1	5- 2
BOLT	1-16
*	4- 9
*	4-22
*	6- 6
*	6-19
*	6-21
*	6-24
*	7- 2
*	7- 3
*	7- 4
*	7- 5
*	8-10
*	13- 8
*	14- 5
*	14-20
*	15- 3
*	15- 7
*	15-11
*	17- 2
*	17-19
*	17-25
*	17-27
*	17-41
*	18-25
*	20-31
*	21- 4
*	22- 5
*	22- 7
*	23-13
*	24-13
*	25-48
*	26-22
*	26-28
*	27-10
*	31- 5
*	31-13
BOLT, cap	20-22
BOLT, flange	14- 3
*	14- 8
*	14- 9
*	14-12
*	19-10
*	19-11
*	19-15
BOLT, hexagon socket head	20-30

PARTS NAME INDEX

DESCRIPTION	REF. NO.
BOLT, hexagon socket head	24-25
BOLT, stopper	12- 9
BOLT, stud	1- 4
*	1- 8
*	1- 9
BOLT, washer based	19-13
*	26-31
BOLT, with hole	26- 3
BOLT, with washer	21- 9
BOOT	20-19
BOOT, cable	25-35
*	25-37
BOSS, clutch	10- 8
BOSS, kick crank	9-12
BRACKET, carrier 2	22-11
BRACKET, footrest 1	26-25
BRACKET, footrest 2	26-27
BRACKET, front upper 1	14- 2
BRACKET, meter	27- 6
BRACKET, rear upper 1	14- 4
BRACKET, seat	22- 3
*	22- 4
BRAKE SHOE COMP.	23- 7
*	24- 8
BULB (6V-17/5.3W)	29- 2
BULB, headlight	28- 2
BUMPER, stop	18- 9
BUSH	5-39
*	14-17
*	17- 8
BUSH, rear shock absorber	18- 3
BUSH, shock absorber lower	18-12
BUSH, solid	17-11
*	18-13
C.D.I. MAGNETO ASSY	3- 1
C.D.I. UNIT ASSY	3-23
CABLE, brake	25-36
CABLE, clutch	25-34
CABLE, throttle 1	25-32
*	25-32
CAMSHAFT	23- 9
*	24-10
CAP, case	18- 8
CAP, cleaner case 1	4-18
CAP, front fork	20-23
CAP, gear	25-17
CAP, grip lower	25- 7
*	25-15

PARTS NAME INDEX

DESCRIPTION	REF. NO.
CAP, GriP Upper	25- 6
*	25-14
CAP, PlunGer	5-38
CAP, rubber	25-33
CARBURETOR ASSY 1	5- 1
CARRIER BOX ASSY	22-10
CASE, chain	17-34
CHAIN, drive (DID520DS 108L)	24-38
CIRCLIP	2- 4
*	9- 9
*	9-16
*	11- 5
*	11-15
*	11-22
*	18-23
*	26-13
*	33- 5
*	33-10
*	33-15
*	33-20
*	33-25
CLAMP	3-10
*	25-43
*	29- 6
*	30- 4
CLAMP, hose	4- 8
*	4-10
*	6-10
CLIP	4-13
*	5-21
*	5-34
*	5-40
*	9- 3
*	21-24
*	27- 9
CLUTCH ASSY	10- 6
COIL, lighting 1	3- 6
COIL, Pulser	3- 7
COIL, source	3- 4
*	3- 5
COLLAR	6-17
*	7- 8
*	7-12
*	11-26
*	21- 7
*	24-29
CONNECTING ROD ASSY	33-26
CONNECTOR	5-28

PARTS NAME INDEX

DESCRIPTION	REF. NO.
COVER	14-23
*	18-16
COVER, ball race 2	19-18
COVER, caP GriP	25- 9
COVER, crankcase 1	8- 1
COVER, crankcase 2	8- 4
COVER, crankcase 3	8- 8
COVER, dust	26-12
COVER, dust seal	20- 9
COVER, hub dust	24-28
COVER, kick lever	9-17
COVER, PlunGer caP	5-41
COVER, semi-double seat	22- 2
COVER, shift Pedal	13- 6
COVER, side (L.H)	16- 1
COVER, side (R.H)	16- 7
COVER, thrust 1	18-32
COVER, thrust 2	17- 7
CRANK 1	2- 7
CRANK 2	2- 8
CRANKCASE 1	7- 1
CRANKCASE 2	7- 9
CRANKSHAFT ASSY	2- 6
CROWN, handle	19- 1
CUP, filter	21-17
CYLINDER COMP., front fork	20-13
CYLINDER 1	1- 6
DAMPER	27- 5
*	28-11
DAMPER 2	27- 7
DAMPER, headlight stay	28- 9
DAMPER, locating 1	14-27
*	16- 6
*	21-29
DAMPER, locating 2	21- 2
DAMPER, locating 3	21-28
DAMPER, muffler	6-16
DAMPER, seat	22- 6
DAMPER, sub tank	18-34
DUMPER SUB ASSY	18- 2
ELEMENT, air cleaner	4-14
EMBLEM	16-12
EMBLEM, headlight	28-12
END, rod 1	23-17
END, rod 2	23-18
EXHAUST PIPE ASSY 1	6- 1
FENDER, front	15- 1
FLANGE, sPacer	24- 3
FLANGE, sPacer 2	23- 3

PARTS NAME INDEX

DESCRIPTION	REF. NO.
FLAP	15-14
FLOAT	5- 7
FOOTREST 1	26-24
*	26-26
FORK, shift 1	12-10
FORK, shift 2	12-11
FORK, shift 3	12-12
FRAME COMP	14- 1
FRONT FORK ASSY	20- 1
FUEL COCK ASSY 1	21-12
FUEL TANK COMP.	21- 1
GASKET	7-20
*	8-14
*	20-12
*	20-28
*	21-18
*	25-20
*	33-41
*	33-42
GASKET KIT	33-32
GASKET, caP	21-26
GASKET, crankcase cover	8- 2
*	33-38
GASKET, crankcase cover 3	8- 9
*	33-39
GASKET, cylinder	1- 7
*	33-34
GASKET, cylinder head 1	1- 2
*	33-33
GASKET, drain Plug	20-29
GASKET, exhaust Pipe	6- 2
*	33-37
GASKET, float chamber	5- 3
*	33-36
GASKET, muffler	6- 9
GASKET, valve seat	4- 6
*	33-35
GEAR UNIT ASSY	23-29
GEAR, bevel	25-16
GEAR, kick (26T)	9- 2
GEAR, Primary drive (24T)	10- 1
GEAR, sProcket idle (21T)	9- 7
GEAR, 1st wheel (32T)	11-20
GEAR, 2nd Pinion (16T)	11- 9
GEAR, 2nd wheel (28T)	11-13
GEAR, 3rd Pinion (19T)	11- 6
GEAR, 3rd wheel (25T)	11-18
GEAR, 4th Pinion (22T)	11- 3

PARTS NAME INDEX

DESCRIPTION	REF. NO.
GEAR, 4th wheel (22T)	11-19
GEAR, 5th Pinion (28T)	11- 8
GEAR, 5th wheel (22T)	11-16
GRAPHIC SET	21-30
GRIP (L.H)	25- 2
GRIP (R.H)	25- 3
*	25-10
GRONMET	4-21
*	16-11
*	18-33
*	25-13
*	28-10
GUARD, brush 1	25-22
GUARD, brush 2	25-27
GUARD, chain	17-17
GUARD, engine 1	14-24
GUARD, engine 2	14-25
GUARD, mud	15-10
GUIDE	4-15
GUIDE, cable	5-20
*	19- 2
*	20-25
*	20-39
GUIDE, sPring	9- 6
GUIDE, sPring 1	18-20
GUIDE, sPring 2	18-21
HANDLEBAR	25- 1
HEAD, cylinder 1	1- 1
HEADLIGHT UNIT ASSY	28- 1
HOLDER	7-15
HOLDER 1	1-15
HOLDER, axle	20-26
HOLDER, cable 1	19-20
HOLDER, damPer	19- 4
*	21- 3
HOLDER, guide	4-16
HOLDER, handle lower	19- 3
HOLDER, handle uPPer	19-14
HOLDER, lever lower 1	31- 2
*	31-10
HOLDER, lever 1	31- 1
HOLDER, lever 2	31- 9
HOLDER, sub tank	18-35
HOCK, sPring	1-12
HOSE	10-30
*	21-23
*	21-27
HOUSING, seal ring	18- 7

PARTS NAME INDEX

DESCRIPTION	REF. NO.
HUB, front	23- 1
HUB, rear	24- 1
IGNITION CDIL ASSY	30- 1
INNER TUBE COMP.1	20-10
JET, main (#350)	5- 6
JET, main (#360)	5- 6
JET, main (#370)	5- 6
JET, Pilot (#35.0)	5- 4
JOINT, cable	25-41
JOINT, carburetor	4- 7
JOINT, chain	24-39
KEY, straight	10- 2
*	12- 5
KEY, woodruff	2-15
KICK AXLE ASSY	9- 1
KICK CRANK ASSY	9-11
KNOB, trip meter	27- 2
*	27- 4
LEAD WIRE ASSY	3- 9
LENS, taillight	29- 3
LEVER 1	31- 3
LEVER 2	31-11
LEVER, camshaft	24-12
LEVER, camshaft 1	23-10
LEVER, camshaft 2	23-11
LEVER, cock	21-13
LEVER, starter 1	5-43
LIGHT SWITCH ASSY	31-19
METAL, slide 1	20- 4
NEEDLE	5-33
NEEDLE VALVE ASSY	5- 8
NET, filter 2	21-20
NOZZLE, main	5- 5
NUT	1- 5
*	3-20
*	9-18
*	10- 4
*	10-17
*	10-23
*	11-29
*	17- 3
*	17-14
*	18-18
*	18-26
*	19- 8
*	19-19
*	19-23
*	20-32

PARTS NAME INDEX

DESCRIPTION	REF. NO.
NUT	20-33
*	23-14
*	23-16
*	24-37
*	25-26
*	25-31
*	25-38
*	25-46
*	26-23
NUT, adjust	28- 8
NUT, adjusting	18-14
NUT, cable adjusting	5-19
*	5-26
NUT, castle	23-32
NUT, flange	1-10
*	19-12
NUT, nylon	14-21
*	17-26
NUT, self-locking	14-14
*	24-26
NUT, slotted	26- 4
NUT, u	14-11
*	17-39
*	22-14
*	26-29
*	31- 6
*	31-14
NUT, wing	4-17
*	26-21
O-RING	5-18
*	5-32
*	8-12
*	10- 5
*	20-27
*	33-40
*	33-43
OIL SEAL	2-14
*	2-17
*	9-10
*	10-26
*	11-25
*	13- 9
*	17- 9
*	17-10
*	20- 5
*	24- 6
*	33-45
*	33-46
*	33-47

PARTS NAME INDEX

DESCRIPTION	REF. NO.
OIL SEAL	33-48
*	33-49
*	33-50
OIL SEAL KIT	33-44
PACKING	25-21
PEDAL, brake	26- 6
*	26- 7
PEDAL, shift	13- 2
*	13- 3
PIN	13- 5
PIN, clevis	18-29
*	23-19
*	24-15
*	24-32
*	25-39
*	26- 9
*	26-16
PIN, cotter	18-28
*	18-31
*	19- 9
*	23-21
*	23-33
*	24-17
*	24-33
*	25-42
*	26- 5
*	26-11
*	26-18
PIN, crank 1	2- 9
*	33-28
PIN, dowel	1-11
*	7-11
*	12-13
*	13-10
*	18-15
PIN, float	5- 9
PIN, piston	2- 3
*	33- 4
*	33- 9
*	33-14
*	33-19
*	33-24
PIPE	5-11
*	5-14
PIPE, outlet	6-12
PISTON (STD)	2- 1
*	2- 1
*	33- 2

PARTS NAME INDEX

DESCRIPTION	REF. NO.
PISTON (STD)	33- 2
PISTON (1ST O/S 0.25MM)	2- 1
*	33- 7
PISTON (2ND O/S 0.50MM)	2- 1
*	33-12
PISTON (3RD O/S 0.75MM)	2- 1
*	33-17
PISTON (4TH O/S 1.00MM)	2- 1
*	33-22
PISTON ASSY (STD)	33- 1
PISTON ASSY (1ST O/S)	33- 6
PISTON ASSY (2ND O/S)	33-11
PISTON ASSY (3RD O/S)	33-16
PISTON ASSY (4TH O/S)	33-21
PISTON RING SET (STD)	2- 2
*	33- 3
PISTON RING SET (1ST O/S)	2- 2
*	33- 8
PISTON RING SET (2ND O/S)	2- 2
*	33-13
PISTON RING SET (3RD O/S)	2- 2
*	33-18
PISTON RING SET (4TH O/S)	2- 2
*	33-23
PLATE	5-29
*	7-17
PLATE, bearing cover	7- 6
*	7-13
PLATE, brake shoe	23- 6
*	24- 7
PLATE, cleaner case fitting	4-24
PLATE, clutch 2	10-10
PLATE, friction	10-11
PLATE, lever fitting	21-14
PLATE, Pressure 1	10- 9
PLATE, side 1	12- 3
PLATE, starter spring	5-42
PLATE, thrust 1	10-15
PLUG	7-10
PLUG CAP ASSY	30- 5
*	30- 5
PLUG, drain	20-37
PLUG, oil level	8-11
PLUG, screw	5-31
PLUG, spark (CHAMPION N3)	1- 3
PLUG, straight screw	7-19
PLUNGER, starter	5-36
PRIMARY DRIVEN GEAR COMP.(63T)	10- 7
PROTECTOR, chain	17-30

PARTS NAME INDEX

DESCRIPTION	REF. NO.
PULLER, chain 1	24-31
PULLER, chain 2	24-30
PUSH LEVER ASSY	10-29
REAR ARM COMP.	17- 1
REAR FENDER COMP.	15- 6
REED VALVE ASSY	4- 1
REED, valve	4- 2
RIM (1.60-21)	23-23
RIM (2.50-17)	24-18
RING, leaf	25- 5
*	25-12
RING, piston	20-15
RING, snap	20- 7
ROD, brake	26-15
ROD, connecting	2-10
*	23-15
*	33-27
ROD, Push	18- 5
ROD, Push 1	10-18
ROD, Push 2	10-24
ROTOR ASSY	3- 2
SCREW	10-20
*	21-22
SCREW, air adjusting	5-23
SCREW, bind	21-10
*	25-18
SCREW, boot band	20-38
SCREW, flat head	7- 7
*	12- 6
SCREW, lens fitting	28- 6
SCREW, lever fitting	21-19
SCREW, Pan head	3-11
*	3-13
*	3-15
*	3-17
*	3-18
*	4- 4
*	5-12
*	6-13
*	7-14
*	7-16
*	7-18
*	8- 3
*	8- 5
*	8-13
*	16- 3
*	16- 8
*	17-22
*	17-31

PARTS NAME INDEX

DESCRIPTION	REF. NO.
SCREW, Pan head	17-35
*	18- 4
*	18-36
*	19-21
*	22-12
*	25- 8
*	25-19
*	25-23
*	25-28
*	25-44
*	30- 2
*	31- 7
*	31-15
SCREW, Pan head with washer	5-15
SCREW, rim adjuster	29- 4
SCREW, throttle	5-25
SCREW, with washer	10-13
SEAL	4-12
*	4-19
SEAL 1	14-26
SEAL, camshaft	23-12
*	24-11
SEAL, cock	21-16
SEAL, dust	18- 6
*	20- 8
SEAL, Guard	17-12
SEAL, mud Guard	15-15
SEAT, sPring	5-35
*	26-20
SEAT, sPring lower	18-22
SEAT, sPring uPPer	18-17
*	20-17
SEGMENT	12- 2
SEMI-DOUBLE SEAT ASSY	22- 1
SHAFT	14-15
SHAFT, Pivot	17-13
SHIFT CAM ASSY	12- 1
SHIFT SHAFT ASSY	13- 1
SHIM (0.3T)	17- 6
SHIM, camshaft	24-14
SHOCK ABSORBER ASSY, rear	18- 1
SILENCER, exhaust	6-11
SOCKET ASSY	29- 1
SOCKET CORD ASSY	28- 3
SPACER	3- 8
*	13-11
*	20-40

PARTS NAME INDEX

DESCRIPTION	REF. NO.
SPACER	23- 2
SPACER 1	10-14
SPACER, bead	23-28
*	24-23
SPACER, bearing	24- 2
SPANNER, sPecial	22-16
SPEEDMETER CABLE ASSY	27-13
SPINDLE, taPer	20-11
SPOKE SET, front	23-24
SPOKE SET, rear	24-19
SPRING	18-19
*	21-15
*	32- 1
*	32- 1
SPRING, comPression	9-14
*	10-12
*	26-19
SPRING, front fork	20-16
SPRING, front fork(K1=0.277, K2=0.314)	32- 2
SPRING, front fork(K1=0.339, K2=0.385)	32- 2
SPRING, Plunger	5-37
SPRING, rebound	20-14
SPRING, screw	28- 5
SPRING, tension	6- 3
*	23- 8
*	24- 9
*	26- 2
SPRING, throttle stoP	5-22
SPRING, throttle valve	5-17
SPRING, torsion	9- 5
*	10-28
*	12- 8
*	13- 4
*	13-12
*	23-22
*	26- 8
*	26-14
*	26-30
SPROCKET, drive (13T)	11-27
SPROCKET, drive (14T)	11-27
SPROCKET, drive (15T)	11-27
SPROCKET, driven (42T)	24-24
SPROCKET, driven (44T)	24-24
SPROCKET, driven (46T)	24-24
STAND, side	26- 1
STAY 2	4-25
STAY, muffler 1	6-20
STAY, muffler 2	6- 4
STOPPER LEVER ASSY	12- 7
STOPPER, reed valve	4- 3
SUPPORT, bumP stoP	18-10

PARTS NAME INDEX

DESCRIPTION	REF. NO.
SUPPORT, chain	17-18
SWITCH, handle 1	31-17
TENSIONER	14-16
TIRE (3.00-21)	23-25
TIRE (5.60-17)	24-20
TOOL KIT	22-15
TOP, mixing chamber	5-24
TRIP METER COMP.	27- 1
*	27- 3
TUBE (3.00-21)	23-26
TUBE (5.60-17)	24-21
TUBE, outer 1	20- 2
TUBE, outer 2	20- 3
TUBE, throttle guide	25- 4
*	25-11
UNDER BRACKET COMP.	20-18
UPPER BRACKET SUB ASSY	18-11
VALVE, throttle 1	5-27
WASHER	2-12
*	5-16
*	11- 7
*	11-10
*	11-17
*	15- 5
*	16- 2
*	18-38
*	19- 5
*	19- 6
*	22- 9
*	24-36
*	33-29
WASHER, lock	10-16
*	11-28
WASHER, main Jet	5-30
WASHER, needle valve	5-10
WASHER, oil seal	20- 6
WASHER, Plain	6- 5
*	14-10
*	14-13
*	17-33
*	23-20
*	25-25
*	25-30
*	26-17
WASHER, Plate	1-18
*	3-19
*	3-22
*	6- 8

PARTS NAME INDEX

DESCRIPTION	REF. NO.
WASHER, Plate	6-15
*	6-18
*	6-23
*	8- 7
*	9- 4
*	9- 8
*	9-15
*	10-22
*	10-27
*	11- 4
*	11-14
*	11-21
*	13- 7
*	14- 7
*	14-18
*	14-19
*	14-22
*	15- 2
*	15- 9
*	15-13
*	16- 5
*	16-10
*	17-21
*	17-24
*	17-29
*	17-37
*	17-38
*	17-40
*	18-27
*	18-30
*	19-22
*	20-35
*	21- 6
*	21- 8
*	21-21
*	22-13
*	23-31
*	24-16
*	24-27
*	25-24
*	25-29
*	25-40
*	25-47
*	26-10
*	27-12
*	28- 7
*	31- 4
*	31-12
WASHER, sPecial	27- 8

PARTS NAME INDEX

DESCRIPTION	REF. NO.
WASHER, sPring	1-17
*	3-12
*	3-14
*	3-16
*	3-21
*	4- 5
*	4-23
*	5-13
*	6- 7
*	6-14
*	6-22
*	8- 6
*	10- 3
*	10-21
*	14- 6
*	15- 4
*	15- 8
*	15-12
*	16- 4
*	16- 9
*	17-15
*	17-20
*	17-23
*	17-28
*	17-32
*	17-36
*	17-42
*	18-37
*	19- 7
*	20-34
*	20-36
*	21- 5
*	22- 8
*	24-35
*	25-45
*	27-11
*	30- 3
*	31- 8
*	31-16
WASHER, wave	18-24
WIRE HARNESS ASSY	30- 6

PARTS NAME INDEX

DESCRIPTION	REF. NO.
-------------	----------