

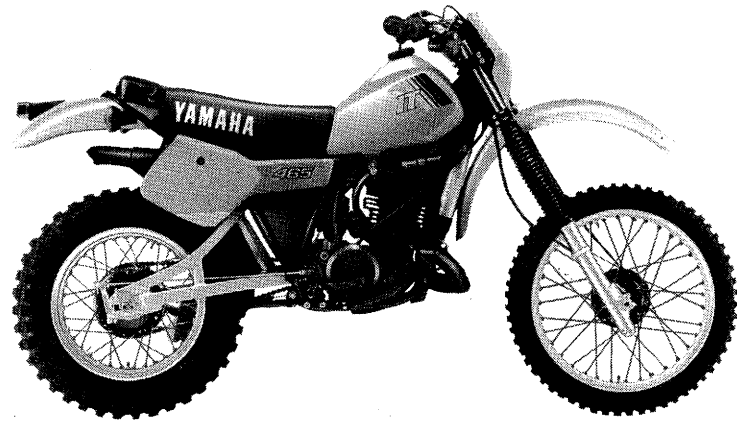
# **YAMAHA**

## **PARTS CATALOGUE**

### **IT465J (5L5)**

**125L5-700E1**





A3



1971

# FOREWORD

This Parts Catalogue is related to the parts in use for the Yamaha IT 465J (5L5).  
When you are ordering replacement parts for the IT 465J (5L5), refer to this Parts Catalogue and quote both part numbers and part names correctly.

1. Modifications or additions which have been made after issue of the Parts Catalogue will be announced in the Yamaha Parts News.  
It is advisable that according to the Yamaha Parts News you make necessary corrections to the Parts Catalogue on hand to keep it up-to-date.

## 2. Abbreviations

The following abbreviations are used in this Parts Catalogue.

- U.R. Use size (thickness) and/or number as required.
- U.N. Use as many as you need.
- A.P. Alternate Parts
- L.M. Local Made
- F# Frame No. (Applicable machine No.)

3. The parts marked with (\*) in the parts number column of this Catalogue are not supplied with by Yamaha, those have to be found locally.
4. Parts, which are to be supplied in the form of assemblies, are listed with an indentation of one letter's space, and a dot ( . ) is put against the name of each part.

**EXAMPLE** CARBURETOR ASS'Y  
     . JET, pilot  
     . NOZZLE, main

## 5. Indication of No. of constituent parts for assembly

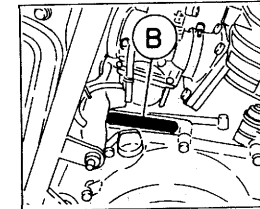
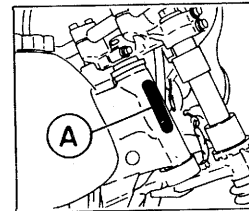
The numeral appearing to the right of each constituent part under the description indicates the quantity of such parts for each individual assembly unit.

**EXAMPLE**

Part No.	Description	Q'ty	Remarks
2F5-83310-60	FRONT FLASHER LIGHT ASS'Y	2	
115-83311-60	. BULB (6V-18W)	1	
1M1-83309-60	. REFLECTOR	1	

## 6. Initial Serial No. and Color Code

(A) Frame Serial No.	5L5-020101 and following
(B) Engine Serial No.	5L5-020101 and following



Color Code	Color Name	Abbreviate
	Sky Blue	

7. Applicable colors of graphics are represented in the "Remarks" column by the letter(s) appropriately picked out of the full word(s) showing such colors.

**EXAMPLE**

Part No.	Description	Q'ty	Remarks
2N4-24110-00-X5	FUEL TANK COMP.	1	MAXIM RED
3J1-24240-10	. GRAPHIC, fuel tank set	1	for MXR

# CONTENTS

## ENGINE

Fig. 1	Cylinder	1
Fig. 2	Crankshaft · Piston	2
Fig. 3	C.D.I. Magneto	3
Fig. 4	Intake	4
Fig. 5	Carburetor	6
Fig. 6	Exhaust	8
Fig. 7	Crankcase	9
Fig. 8	Crankcase Cover	10
Fig. 9	Kick Starter	11
Fig. 10	Clutch	12
Fig. 11	Transmission	13
Fig. 12	Shift Cam · Fork	15
Fig. 13	Shift Shaft · Pedal	16

## CHASSIS

Fig. 14	Frame	17
Fig. 15	Front Fender · Rear Fender	19
Fig. 16	Side Cover	20
Fig. 17	Rear Arm	21
Fig. 18	Rear Suspension	23
Fig. 19	Steering	25
Fig. 20	Front Fork	26
Fig. 21	Fuel Tank	29
Fig. 22	Seat	31
Fig. 23	Front Wheel	32
Fig. 24	Rear Wheel	34
Fig. 25	Handlebar · Cable	36
Fig. 26	Stand · Footrest	38
Fig. 27	Flasher Light	40
Fig. 28	Meter	41
Fig. 29	Headlight	42

Fig. 30	Taillight	43
Fig. 31	Electrical 1	44
Fig. 32	Handle Switch · Lever	46

## ALTERNATE PARTS

Fig. 33	Alternate (Chassis)	47
---------	---------------------	----

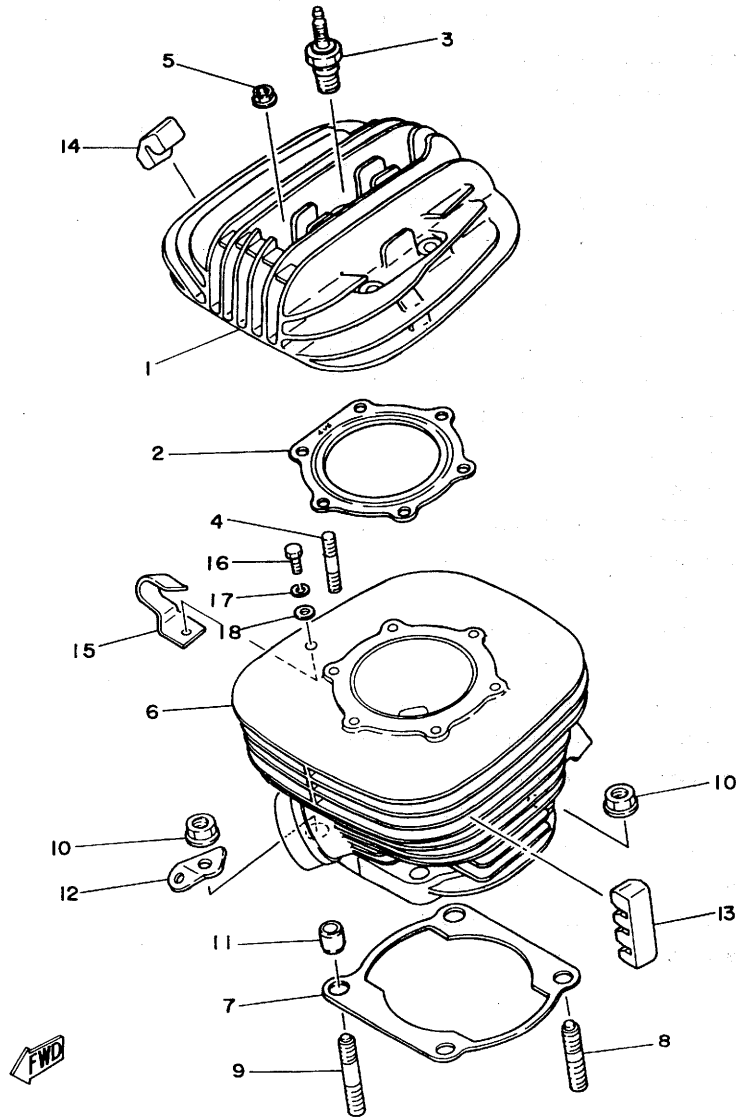
## REPAIR KIT

Fig. 34	Repair Kit	48
---------	------------	----

## INDEX

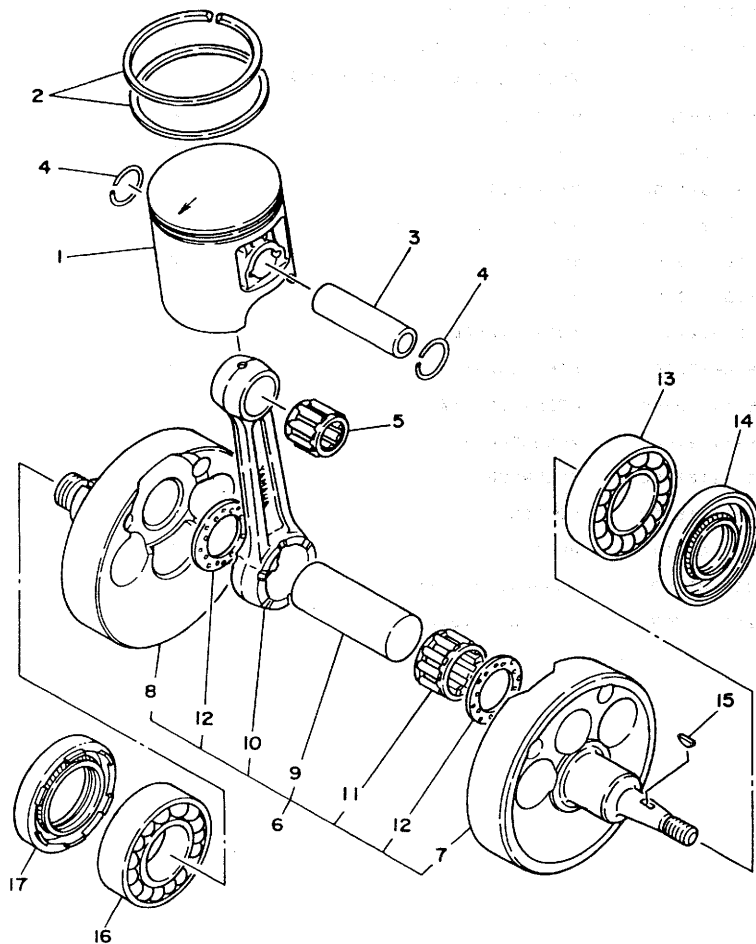
Numerical Index
Parts Name Index

FIG. 1 CYLINDER



REF. NO.	PART NO.	DESCRIPTION	Q'TY	REMARKS
1	3R5-11111-00	HEAD, cylinder 1	1	
2	4V6-11181-00	GASKET, cylinder head 1	1	
3	*	PLUG, sPark (chanPion N3)	1	LM
4	90116-08321	BOLT, stud	6	
5	90179-08299	NUT	6	
6	4V6-11311-00	CYLINDER 1	1	
7	3R5-11351-00	GASKET, cylinder	1	
8	90116-12315	BOLT, stud	2	
9	90116-12316	BOLT, stud	2	
10	95701-12100	NUT, flange	4	
11	91810-17016	PIN, dowel	2	
12	3R5-14619-00	HOOK, sPring	1	
13	2N6-11127-00	ABSORBER 3	2	
14	4V5-11161-00	ABSORBER 1	1	
15	4V5-1131E-00	HOLDER 1	1	
16	97301-06014	BOLT	1	
17	92901-06100	WASHER, sPring	1	
18	90201-06709	WASHER, Plate	1	

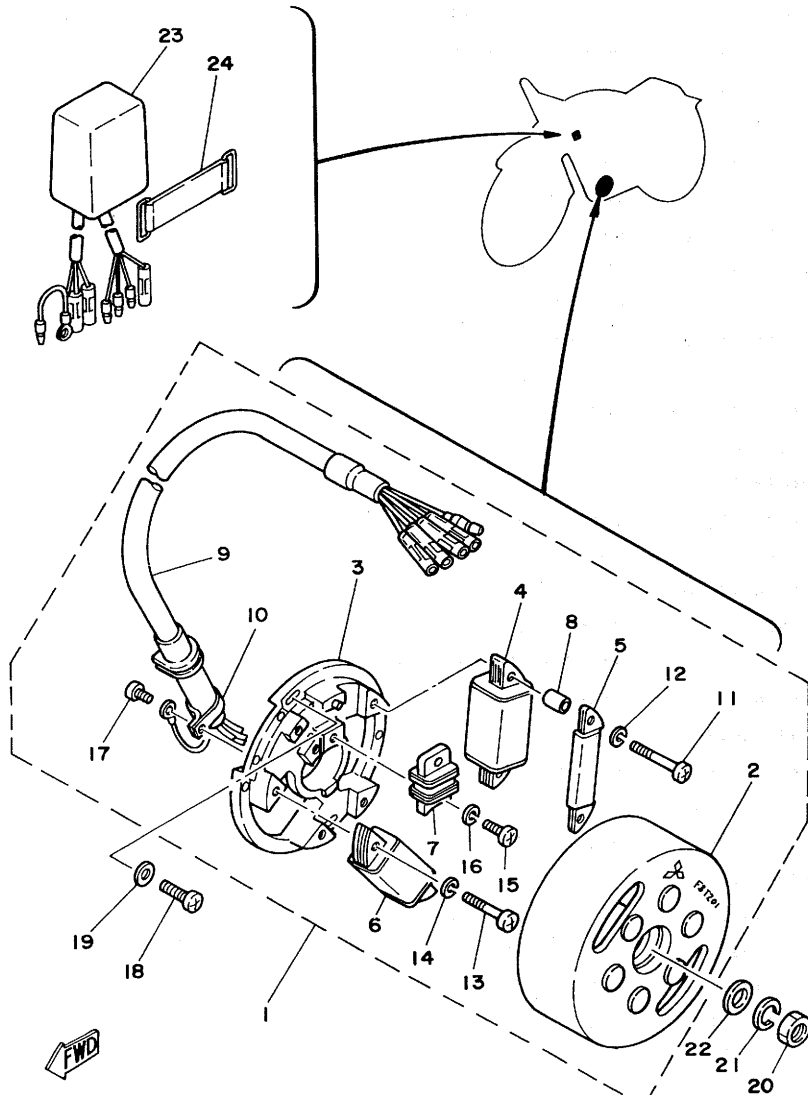
FIG. 2 CRANKSHAFT.PISTON



REF. NO.	PART NO.	DESCRIPTION	Q'TY	REMARKS
1	4V6-11631-00-94	PISTON (STD)	1	UR
	4V6-11631-00-96	PISTON (STD)	1	UR
	4V6-11635-00	PISTON (1ST O/S 0.25MM)	1	AP
	4V6-11636-00	PISTON (2ND O/S 0.50MM)	1	AP
	4V6-11637-00	PISTON (3RD O/S 0.75MM)	1	AP
	4V6-11638-00	PISTON (4TH O/S 1.00MM)	1	AP
2	4V6-11610-00	PISTON RING SET (STD)	1	
	4V6-11610-10	PISTON RING SET (1ST D/S)	1	AP
	4V6-11610-20	PISTON RING SET (2ND D/S)	1	AP
	4V6-11610-30	PISTON RING SET (3RD D/S)	1	AP
	4V6-11610-40	PISTON RING SET (4TH D/S)	1	AP
3	275-11633-00	PIN, Piston	1	
4	93450-19052	CIRCLIP	2	
5	93310-418E9	BEARING, cylindrical	1	
6	4V6-11400-00	CRANKSHAFT ASSY	1	
7	4V6-11412-00	•CRANK 1	1	
8	4V6-11422-00	•CRANK 2	1	
9	3R5-11681-00	•PIN, crank 1	1	
10	3R5-11651-00	•ROD, connecting	1	
11	93310-42541	•BEARING, cylindrical	1	
12	90209-25085	•WASHER	2	
13	93306-30615	BEARING (B6306)	1	
14	93103-30092	OIL SEAL	1	
15	90280-03017	KEY, woodruff	1	
16	93306-30615	BEARING (B6306)	1	
17	93103-40091	OIL SEAL	1	



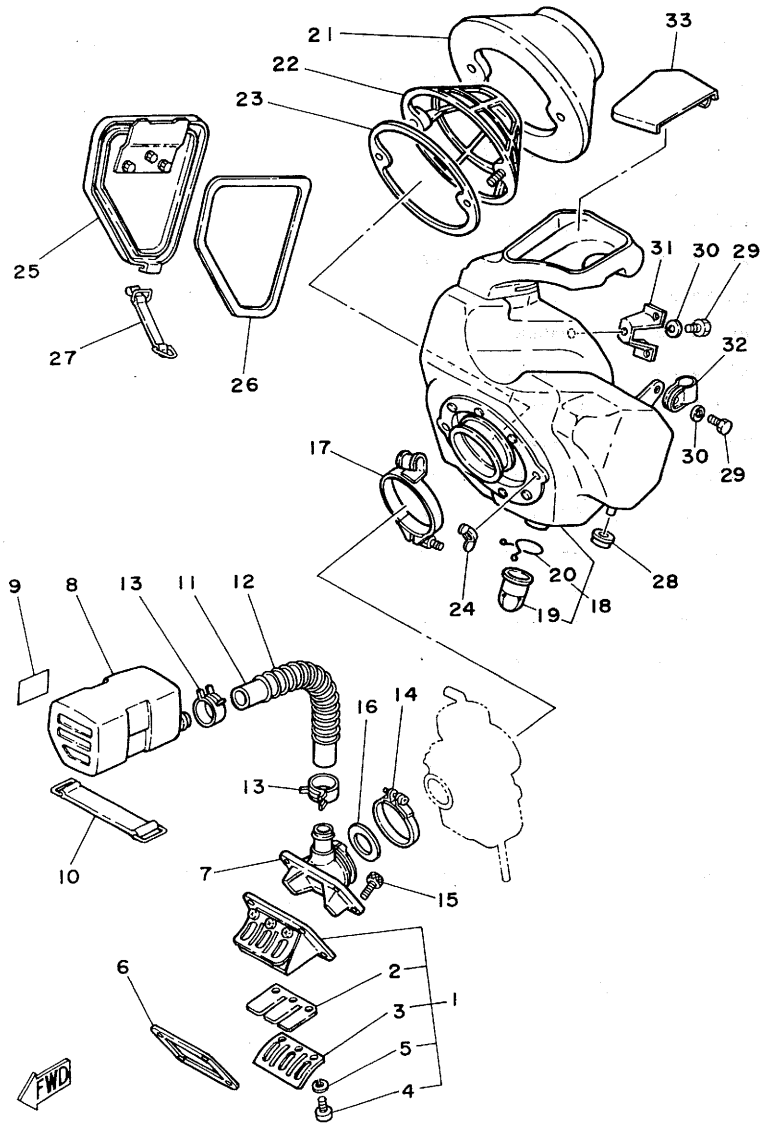
FIG. 3 C.D.I MAGNETO



REF. NO.	PART NO.	DESCRIPTION	Q'TY	REMARKS
1	5L5-85500-20	C.D.I. MAGNETO ASSY	1	
2	3R5-85550-20	•ROTOR ASSY	1	
3	3R5-85509-20	•BASE, magneto	1	
4	3R5-85511-20	•COIL, source	1	
5	3R5-85512-20	•COIL, source	1	
6	4J0-85513-20	•COIL, lighting 1	1	
7	4V6-85580-20	•COIL, Pulser	1	
8	1W2-85516-20	•SPACER	2	
9	5L5-85515-20	•LEAD WIRE ASSY	1	
10	104-81328-20	•CLAMP	1	
11	98501-04035	•SCREW, Pan head	2	
12	92901-04100	•WASHER, sPring	2	
13	98501-04030	•SCREW, Pan head	2	
14	92901-04100	•WASHER, sPring	2	
15	98501-04014	•SCREW, Pan head	1	
16	92901-04100	•WASHER, sPring	1	
17	110-81345-21	•SCREW, Pan head	1	
18	92501-06020	SCREW, Pan head	2	
19	92901-06600	WASHER, Plate	2	
20	90170-12067	NUT	1	
21	92901-12100	WASHER, sPring	1	
22	90201-12593	WASHER, Plate	1	
23	3R5-85540-20	C.D.I. UNIT ASSY	1	
24	288-21376-00	BAND, tool	1	

**B4**

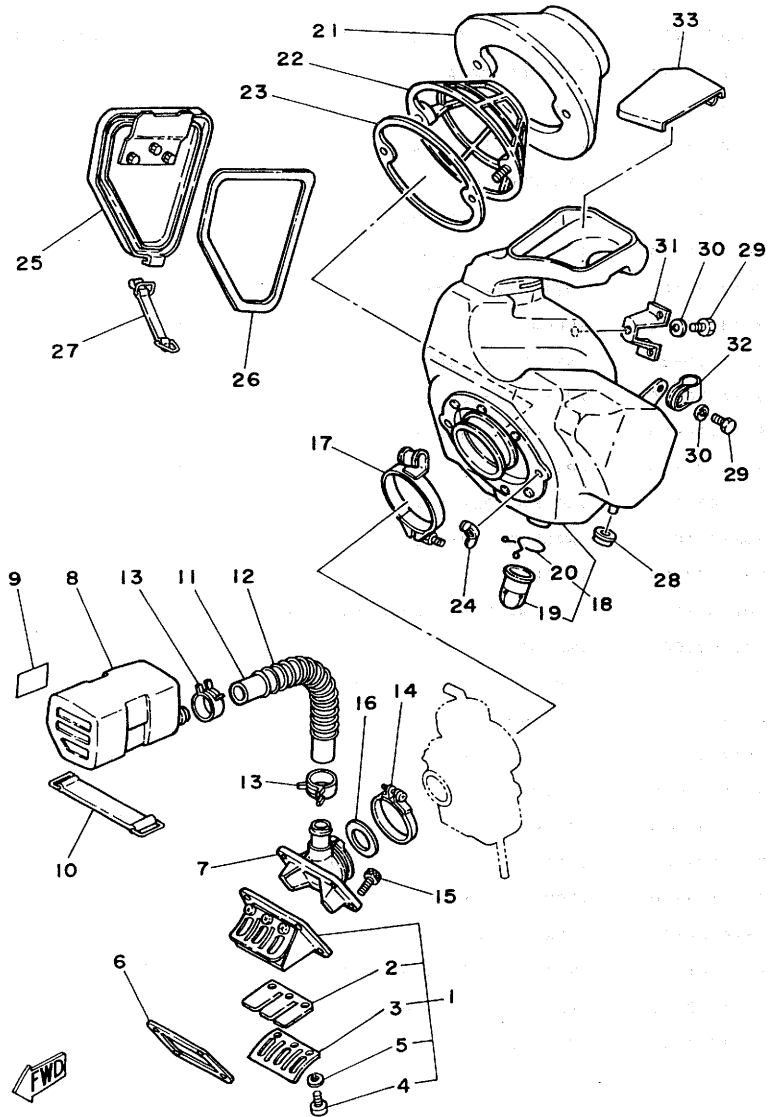
FIG. 4 INTAKE



REF. NO.	PART NO.	DESCRIPTION	Q'TY	REMARKS
1	3R5-13610-00	REED VALVE ASSY	1	
2	3R5-13613-00	•REED, valve	2	
3	2X5-13616-00	•STOPPER, reed valve	2	
4	98501-03008	•SCREW, Pan head	6	
5	92903-03100	•WASHER, sPring	6	
6	2K7-13621-00	GASKET, valve seat	1	
7	4V6-13565-00	JDINT, carburetor	1	
8	4V6-13581-00	CHAMBER, air	1	
9	4V3-1441K-00	EMBLEM	1	
10	1E6-82131-00	BAND, battery	1	
11	90445-24610	HOSE	1	
12	90501-10658	SPRING, comPression	1	
13	90467-23059	CLIP	2	
14	90460-51109	CLAMP, hose	1	
15	91316-06020	BOLT	4	
16	1W6-14477-00	PLATE	1	
17	90460-68120	CLAMP, hose	1	
18	4V5-W1441-00	AIR CLEANER CASE COMP.	1	
19	1W4-14457-00	•SEAL	1	
20	90467-20030	•CLIP	1	
21	3R4-W1442-01	ELEMENT, air cleaner	1	
22	3R4-14458-00	GUIDE	1	
23	4V4-14459-00	HOLDER, guide	1	
24	90175-06012	NUT, wing	2	
25	4V5-14412-00	CAP, cleaner case 1	1	
26	4V5-14452-01	SEAL	1	
27	4V5-14455-00	BAND	1	
28	90480-13197	GROMMET	1	

B5

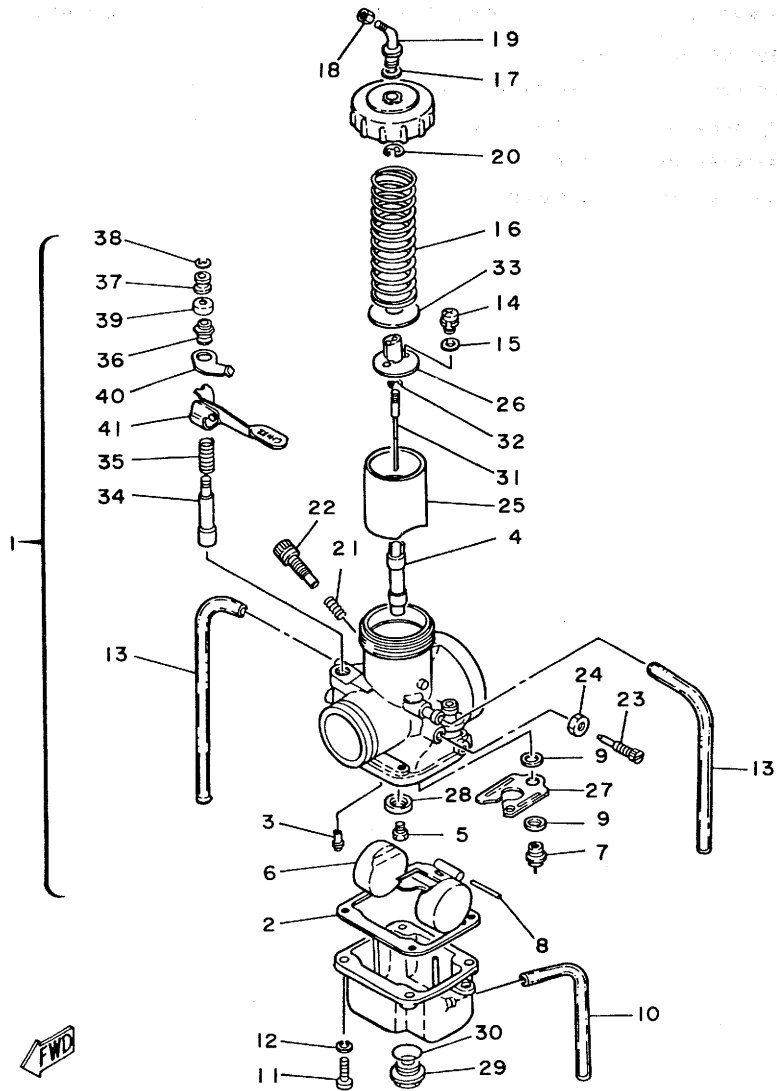
FIG. 4 INTAKE



REF. NO.	PART NO.	DESCRIPTION	Q'TY	REMARKS
29	97301-06016	BOLT	4	
30	92901-06100	WASHER, sPring	4	
31	4V4-14484-00	PLATE, cleaner case fitting	1	
32	4V4-14499-00	STAY 2	1	
33	5L4-14441-00	SILENCER, intake 2	1	

**B6**

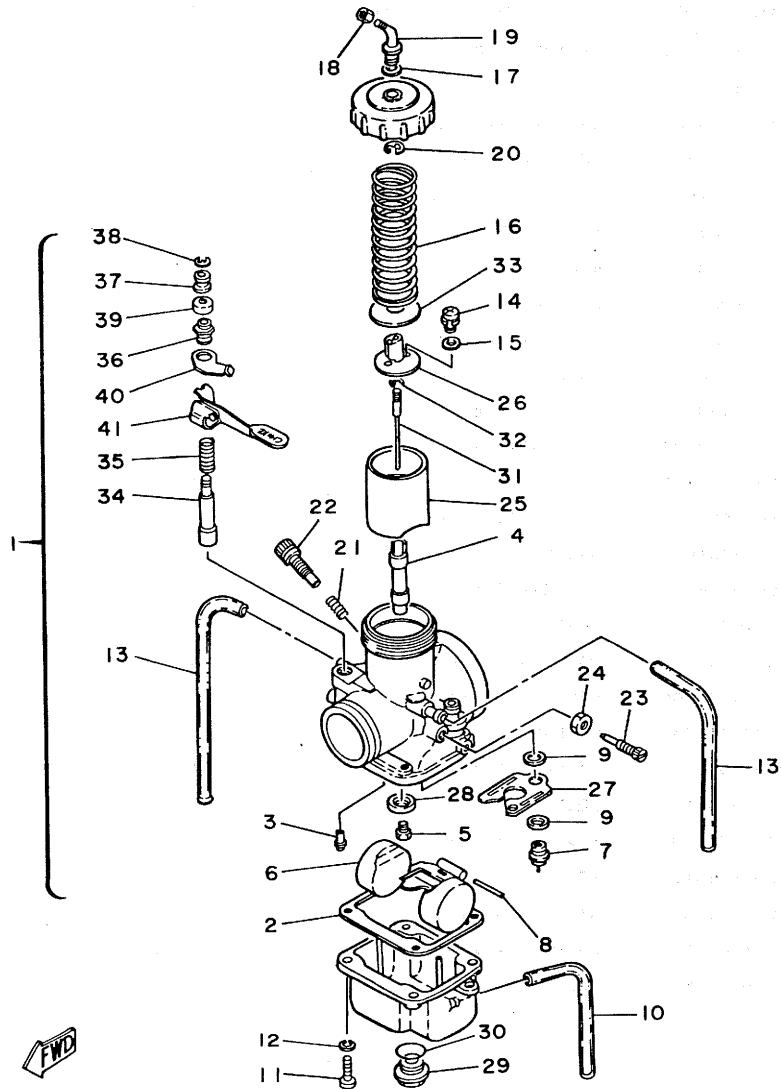
FIG. 5 CARBURETOR



REF. NO.	PART NO.	DESCRIPTION	Q'TY	REMARKS
1	4V6-14101-10	CARBURETOR ASSY 1	1	
2	363-14184-00	•GASKET, float chamber	1	
3	193-14142-40	•JET, Pilot (#40.0)	1	
4	510-14141-52	•NOZZLE, main	1	
5	137-14143-78	•JET, main (#390)	1	UR STD
	137-14143-76	•JET, main (#380)	1	UR
	137-14143-80	•JET, main (#400)	1	UR
6	2N7-14185-00	•FLOAT	1	
7	363-14190-35	•NEEDLE VALVE ASSY	1	
8	537-14186-00	•PIN, float	1	
9	239-14195-00	•WASHER, needle valve	2	
10	2K7-14197-00	•PIPE	1	
11	98501-05016	•SCREW, Pan head	4	
12	92902-05100	•WASHER, spring	4	
13	310-14197-00	•PIPE	2	
14	97602-03108	•SCREW, Pan head with washer	2	
15	92902-03600	•WASHER	2	
16	363-14131-00	•SPRING, throttle valve	1	
17	8F2-14147-00	•O-RING	1	
18	127-14161-00	•NUT, cable adjusting	1	
19	3R4-14155-00	•GUIDE, cable	1	
20	363-14137-00	•CLIP	1	
21	137-14133-00	•SPRING, throttle stop	1	
22	1W3-14123-00	•SCREW, air adjusting	1	
23	2A0-14122-00	•SCREW, throttle	1	
24	802-14161-00	•NUT, cable adjusting	1	
25	2X8-14112-20	•VALVE, throttle 1	1	
26	509-14274-00	•CONNECTOR	1	

B7

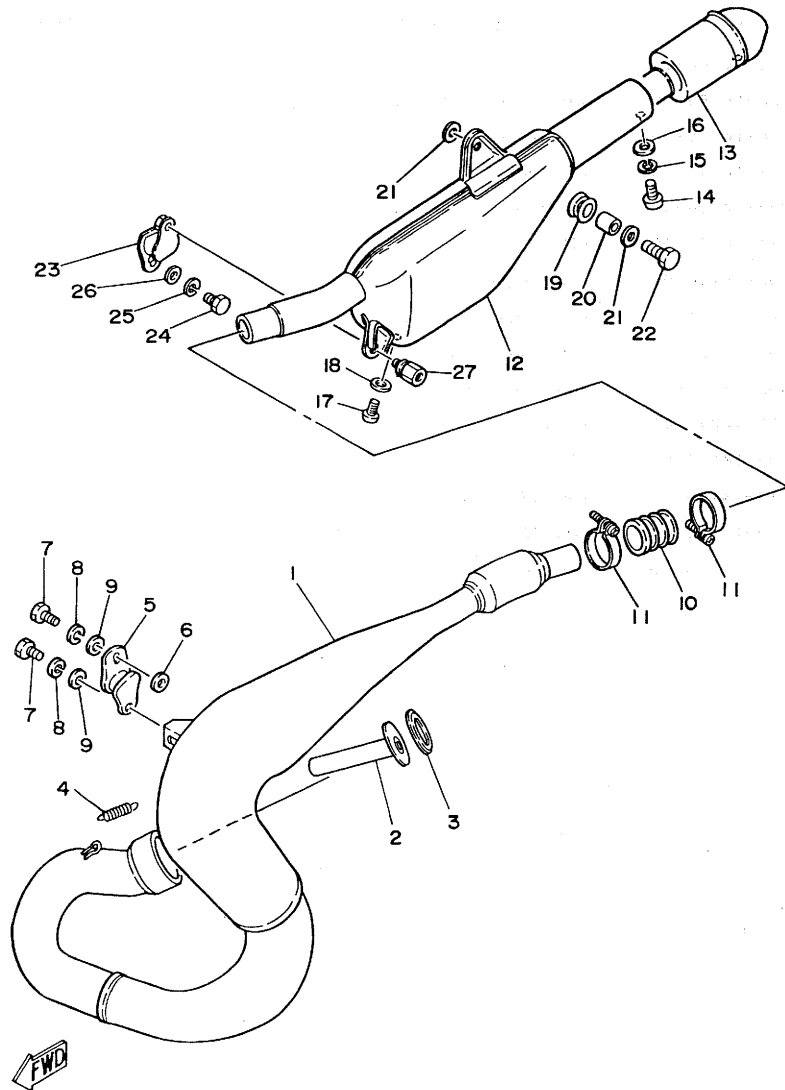
FIG. 5 CARBURETOR



REF. NO.	PART NO.	DESCRIPTION	Q'TY	REMARKS
27	3R4-14146-00	•PLATE	1	
28	2X8-14153-00	•WASHER, main Jet	1	
29	510-14115-00	•PLUG, screw	1	
30	558-14147-00	•O-RING	1	
31	239-14116-39	•NEEDLE	1	
32	164-14137-00	•CLIP	1	
33	509-14136-00	•SEAT, sPring	1	
34	1W1-14171-00	•PLUNGER, starter	1	
35	256-14135-00	•SPRING, PlunGer	1	
36	802-14174-00	•CAP, PlunGer	1	
37	737-14241-00	•BUSH	1	
38	737-14137-00	•CLIP	1	
39	2X7-14173-00	•COVER, PlunGer caP	1	
40	1W3-14178-00	•PLATE, starter sPring	1	
41	1W3-14175-00	•LEVER, starter l	1	

**B8**

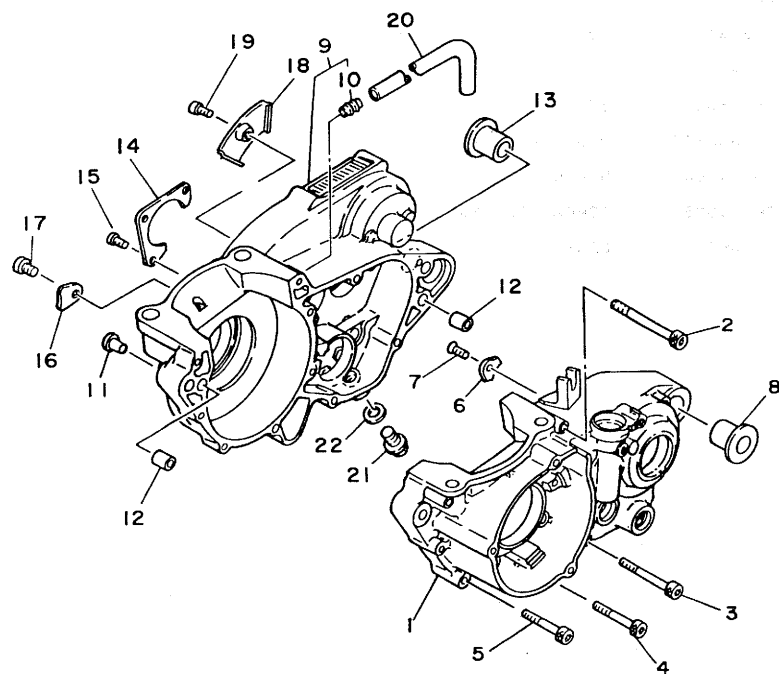
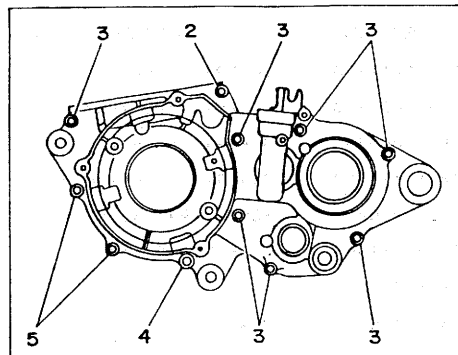
FIG. 6 EXHAUST



REF. NO.	PART NO.	DESCRIPTION	Q'TY	REMARKS
1	4V6-14610-00	EXHAUST PIPE ASSY 1	1	
2	5L5-14634-00	PIPE, choke	1	
3	3R4-14613-00	GASKET, exhaust Pipe	1	
4	90507-20030	SPRING, tension	3	
5	3R4-14781-02	STAY, muffler 2	1	
6	92901-08200	WASHER, Plain	1	
7	97301-08016	BOLT	2	
8	92901-08100	WASHER, sPring	2	
9	92901-08600	WASHER, Plate	2	
10	1M1-14714-00	GASKET, muffler	1	
11	90460-43053	CLAMP, hose	2	
12	4V5-14753-00	SILENCER, exhaust	1	
13	4V5-14752-00	PIPE, outlet	1	
14	92501-06012	SCREW, Pan head	1	
15	92901-06100	WASHER, sPring	1	
16	92901-06600	WASHER, Plate	1	
17	92501-06008	SCREW, Pan head	1	
18	90202-06010	WASHER, Plate	1	
19	565-14747-00	DAMPER, muffler	1	
20	90387-08258	COLLAR	1	
21	90201-08114	WASHER, Plate	2	
22	90109-08512	BOLT	1	
23	565-14771-00	STAY, muffler 1	1	
24	97301-06016	BOLT	1	
25	92901-06100	WASHER, sPring	1	
26	92901-06600	WASHER, Plate	1	
27	90109-06551	BOLT	1	

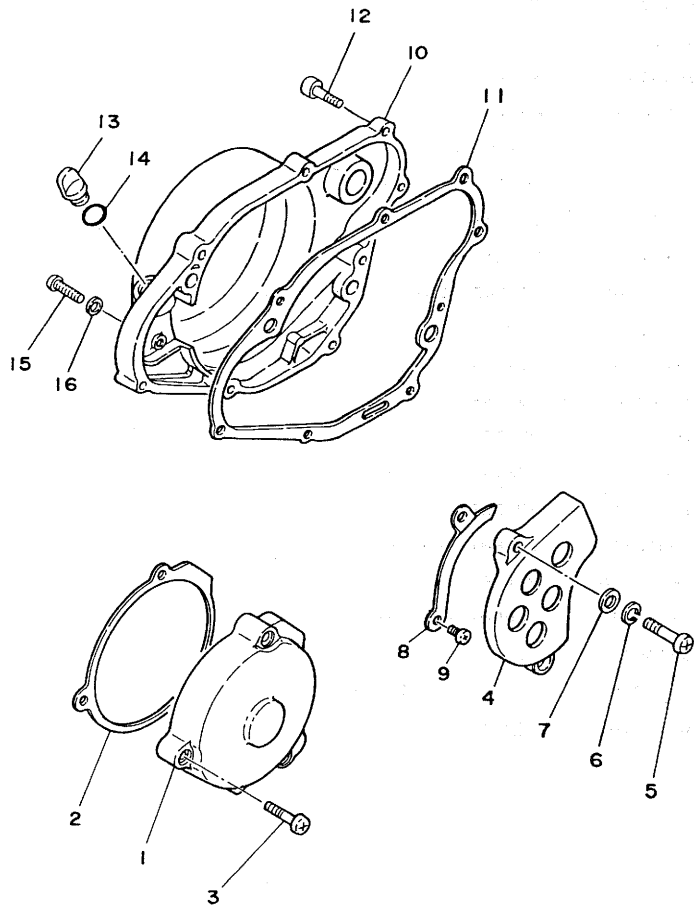
**B9**

FIG. 7 CRANKCASE



REF. NO.	PART NO.	DESCRIPTION	Q'TY	REMARKS
1	3R5-15111-01	CRANKCASE 1	1	
2	91316-06075	BOLT	1	
3	91316-06060	BOLT	7	
4	91316-06050	BOLT	1	
5	91316-06045	BOLT	2	
6	3R4-15383-01	PLATE, bearing cover	1	
7	92701-06012	SCREW, flat head	1	
8	90387-16776	COLLAR	1	
9	3R5-W1512-01	CRANKCASE 2	1	
10	137-13115-00	CONNECTOR, suction Pipe	1	
11	90338-07011	PLUG	1	
12	91810-05016	PIN, dowel	4	
13	90387-16776	COLLAR	1	
14	3R4-15381-00	PLATE, bearing cover	1	
15	92501-06012	SCREW, Pan head	3	
16	4V4-15118-00	HOLDER	1	
17	92501-06010	SCREW, Pan head	1	
18	3R4-15113-00	PLATE	1	
19	92501-06012	SCREW, Pan head	1	
20	90445-08605	HOSE	1	
21	90340-12059	PLUG, straight screw	1	
22	90430-12038	GASKET	1	

FIG. 8 CRANKCASE COVER



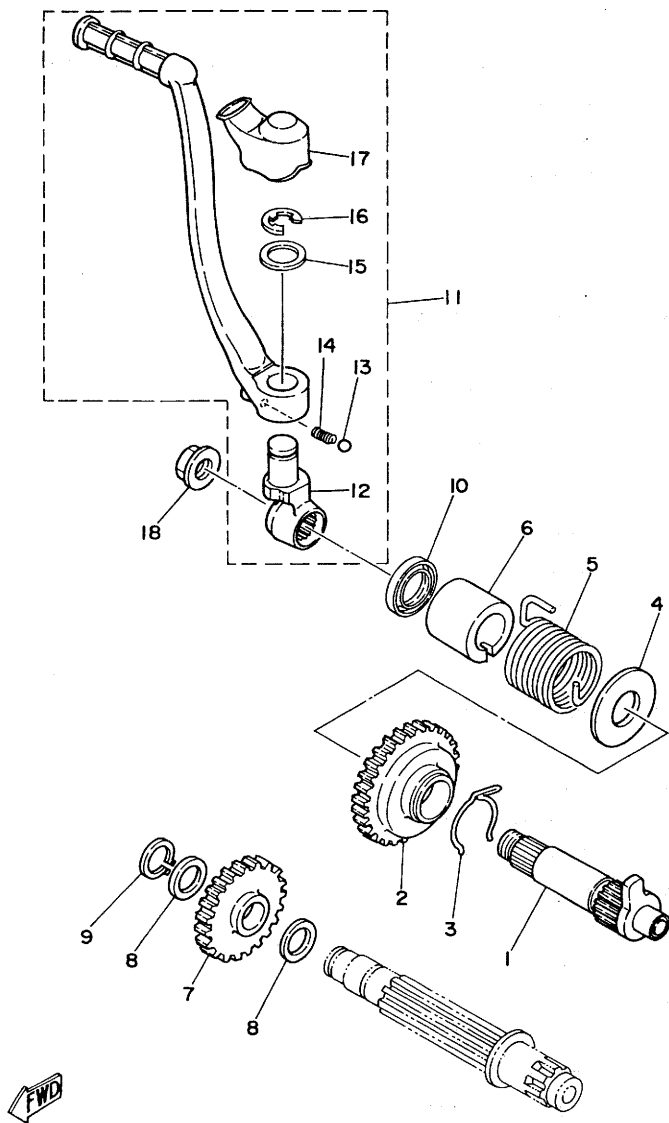
REF. NO.	PART NO.	DESCRIPTION	Q'TY	REMARKS
1	3R5-15411-00	COVER, crankcase 1	1	
2	4V4-15451-00	GASKET, crankcase cover	1	
3	92506-06035	SCREW, Pan head	3	
4	3R4-15421-00	COVER, crankcase 2	1	
5	92506-06025	SCREW, Pan head	1	
6	92906-06100	WASHER, sPring	1	
7	92906-06600	WASHER, Plate	1	
8	4V5-17446-00	PLATE	1	
9	92506-06012	SCREW, Pan head	1	
10	3R4-15431-02	COVER, crankcase 3	1	
11	3R4-15462-00	GASKET, crankcase cover 3	1	
12	91316-06025	BOLT	8	
13	1G8-15362-00	PLUG, oil level	1	
14	93210-14104	O-RING	1	
15	92506-06008	SCREW, Pan head	1	
16	90430-06016	GASKET	1	

FWD

**B11**



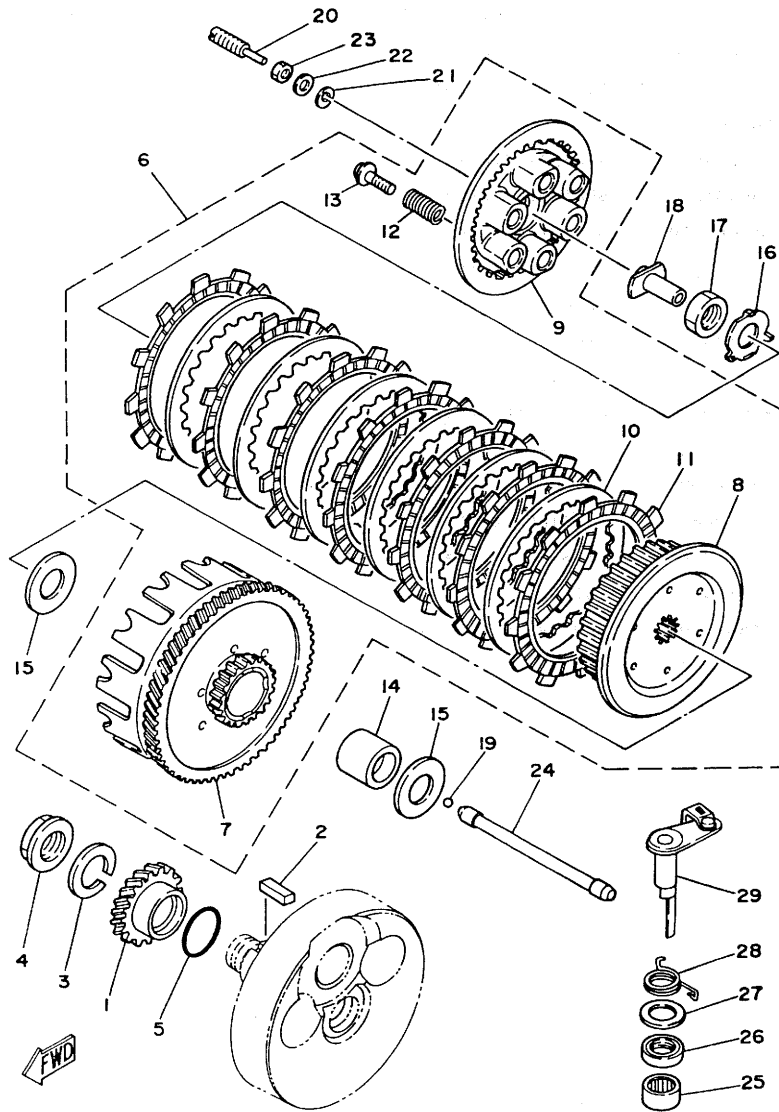
FIG. 9 KICK STARTER



REF. NO.	PART NO.	DESCRIPTION	Q'TY	REMARKS
1	3R4-15660-00	KICK AXLE ASSY	1	
2	3R4-15641-00	GEAR, kick (26T)	1	
3	90468-26048	CLIP	1	
4	90201-20358	WASHER, Plate	1	
5	90508-30422	SPRING, torsion	1	
6	3R4-15664-00	GUIDE, sPrin8	1	
7	3R4-15651-00	GEAR, sProcket idle (21T)	1	
8	90201-17545	WASHER, Plate	2	
9	93410-17008	CIRCLIP	1	
10	93109-20014	OIL SEAL	1	
11	4V3-15620-00	KICK CRANK ASSY	1	
12	4V3-15621-00	•BDSS, kick crank	1	
13	93507-32009	•BALL	1	
14	90501-12081	•SPRING, comPrission	1	
15	90201-15234	•WASHER, Plate	1	
16	93430-10016	•CIRCLIP	1	
17	2K7-15618-00	•COVER, kick lever	1	
18	90179-12244	NUT	1	

**B12**

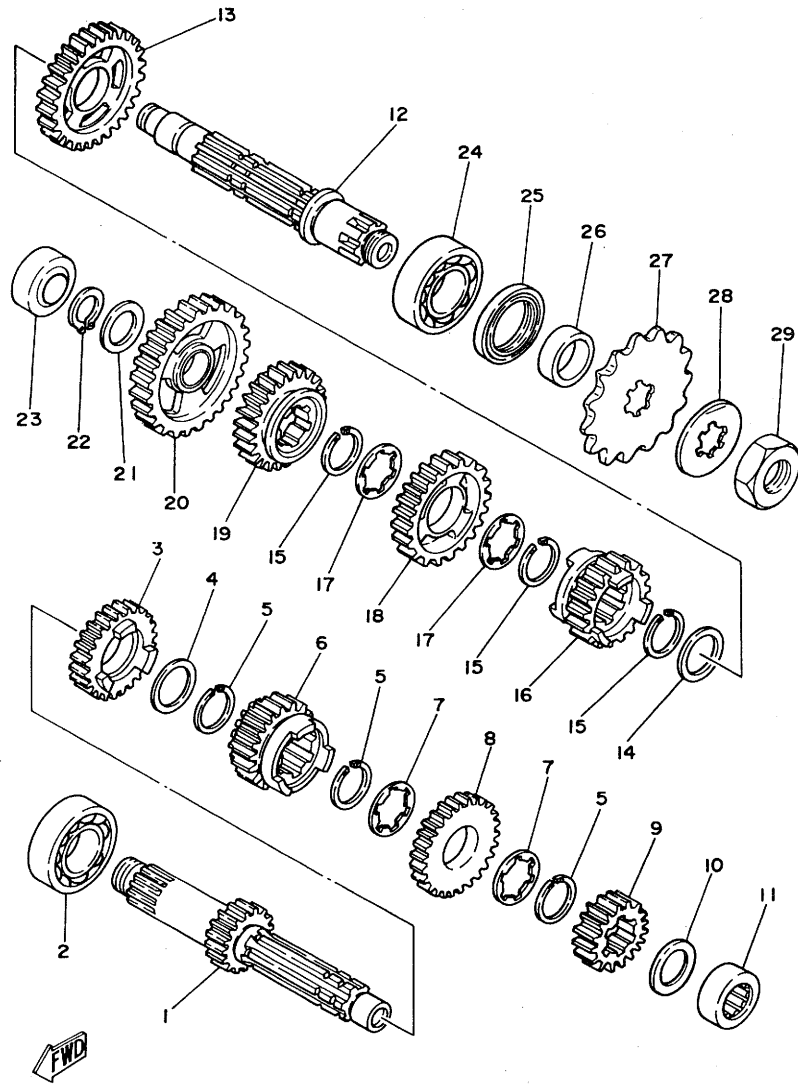
FIG. 10 CLUTCH



REF. NO.	PART NO.	DESCRIPTION	Q'TY	REMARKS
1	3R5-16111-00	GEAR, Primary drive (24T)	1	
2	90282-07019	KEY, straight	1	
3	92901-18100	WASHER, sPring	1	
4	90170-18089	NUT	1	
5	93210-29282	O-RING	1	
6	3R5-16300-00	CLUTCH ASSY	1	
7	3R4-16150-00	•PRIMARY DRIVEN GEAR COMP.(63T	1	
8	3R4-16371-00	•BOSS, clutch	1	
9	1M1-16351-00	•PLATE, Pressure 1	1	
10	168-16325-00	•PLATE, clutch 2	6	
11	383-16321-00	•PLATE, friction	7	
12	90501-24408	•SPRING, comPrission	6	
13	90159-06016	•SCREW, with washer	6	
14	2K7-16181-00	SPACER 1	1	
15	2K7-16154-00	PLATE, thrust 1	2	
16	90215-20125	WASHER, lock	1	
17	90170-20255	NUT	1	
18	3R4-16356-00	ROD, Push 1	1	
19	93515-32029	BALL	1	
20	90149-08143	SCREW	1	
21	92901-08100	WASHER, sPring	1	
22	90201-08092	WASHER, Plate	1	
23	95311-08700	NUT	1	
24	3R5-16357-00	ROD, Push 2	1	
25	93315-21721	BEARING, cylindrical	1	
26	93102-17004	OIL SEAL	1	
27	90201-17327	WASHER, Plate	1	
28	90508-14423	SPRING, torsion	1	
29	4V4-16380-00	PUSH LEVER ASSY	1	

**B13**

FIG. 11 TRANSMISSION

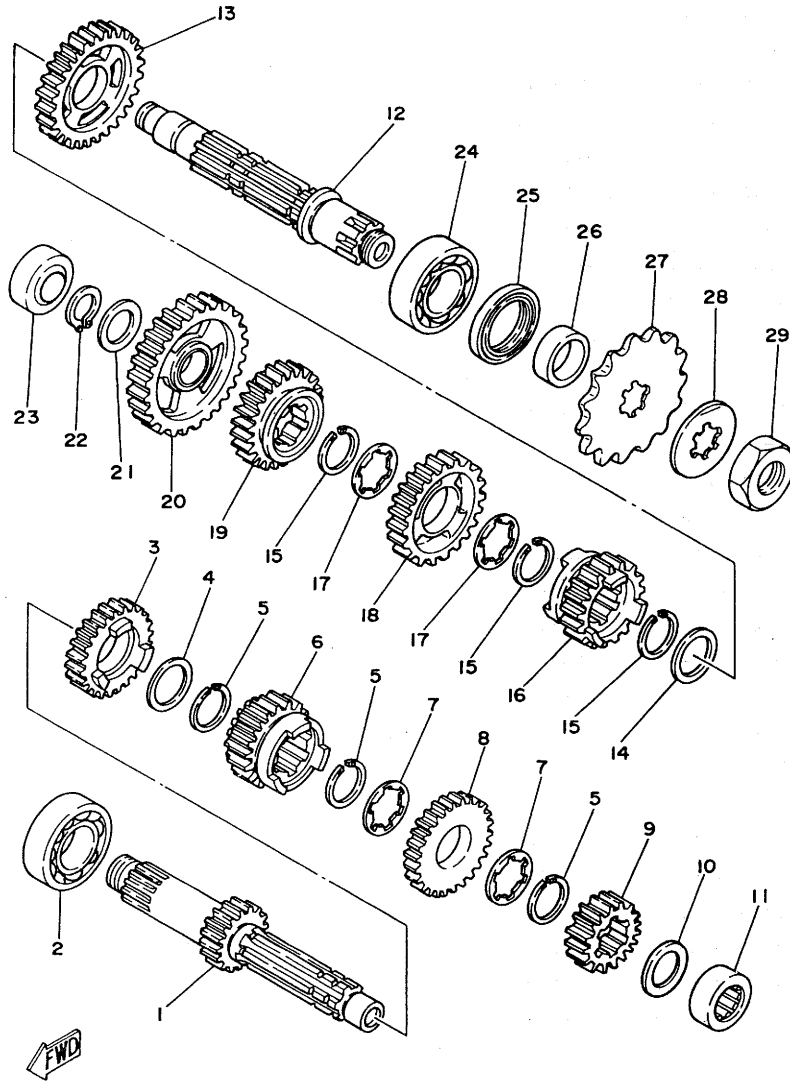


REF. NO.	PART NO.	DESCRIPTION	Q'TY	REMARKS
1	4V6-17411-00	AXLE, main (12T)	1	
2	93306-20540	BEARING	1	
3	4V6-17141-00	GEAR, 4th Pinion (22T)	1	
4	90201-25287	WASHER, Plate	1	
5	93440-25084	CIRCLIP	3	
6	3R5-17131-01	GEAR, 3rd Pinion (19T)	1	
7	90209-22082	WASHER	2	
8	4V6-17151-00	GEAR, 5th Pinion (28T)	1	
9	5L5-17121-00	GEAR, 2nd Pinion (16T)	1	
10	90201-20276	WASHER, Plate	1	
11	93311-62035	BEARING, cylindrical	1	
12	3R5-17421-00	AXLE, drive	1	
13	4V6-17221-00	GEAR, 2nd wheel (28T)	1	
14	90201-25287	WASHER, Plate	1	
15	93440-25084	CIRCLIP	3	
16	4V6-17251-00	GEAR, 5th wheel (22T)	1	
17	90209-22082	WASHER	2	
18	3R5-17231-02	GEAR, 3rd wheel (25T)	1	
19	4V6-17241-00	GEAR, 4th wheel (22T)	1	
20	4V6-17211-00	GEAR, 1st wheel (32T)	1	
21	90201-20278	WASHER, Plate	1	
22	93410-20038	CIRCLIP	1	
23	93311-62035	BEARING, cylindrical	1	
24	93306-20544	BEARING	1	
25	93102-32M07	OIL SEAL	1	
26	90387-25663	COLLAR	1	
27	1W4-17461-40	SPROCKET, drive (14T)	1	UR STD
	1W4-17461-30	SPROCKET, drive (13T)	1	AP

**B14**

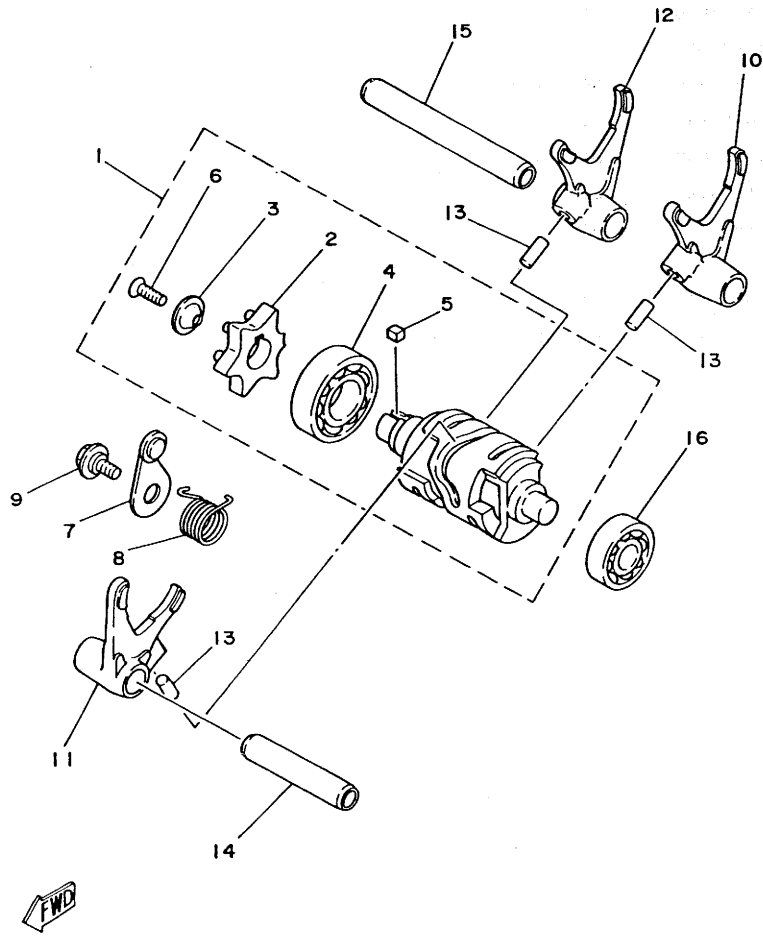
FIG. 11 TRANSMISSION

REF. NO.	PART NO.	DESCRIPTION	Q'TY	REMARKS
27	1W4-17461-50	SPROCKET, drive (15T)	1	AP
28	90215-21121	WASHER, lock	1	
29	90179-20255	NUT	1	



**B15**

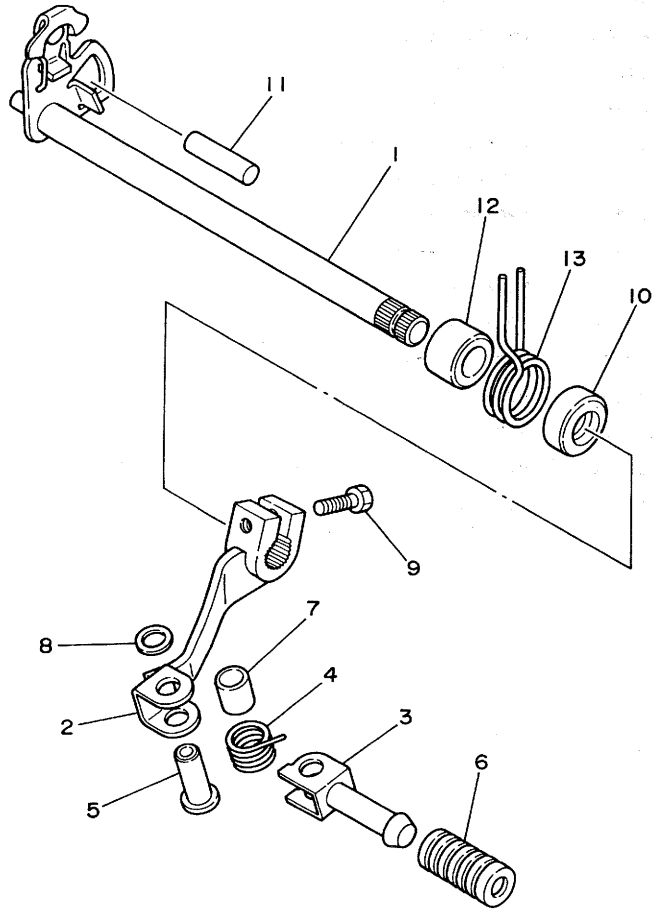
FIG. 12 SHIFT CAM•FORK



REF. NO.	PART NO.	DESCRIPTION	Q'TY	REMARKS
1	3R5-18540-03	SHIFT CAM ASSY	1	
2	3R4-18185-00	•SEGMENT	1	
3	3R4-18561-00	•PLATE, side 1	1	
4	93306-00422	•BEARING	1	
5	90282-04036	•KEY, straight	1	
6	98701-05016	•SCREW, flat head	1	
7	3R4-18140-00	STOPPER LEVER ASSY	1	
8	90508-24522	SPRING, torsion	1	
9	1W1-18177-00	BOLT, stopPer	1	
10	3R5-18511-00	FORK, shift 1	1	
11	3R5-18512-00	FORK, shift 2	1	
12	3R5-18513-00	FORK, shift 3	1	
13	93606-14154	PIN, dowel	3	
14	5X5-18531-00	BAR, shift fork guide 1	1	
15	5X5-18535-00	BAR, shift fork guide 2	1	
16	93306-20107	BEARING (B6201)	1	

C2

FIG. 13 SHIFT SHAFT.PEDAL

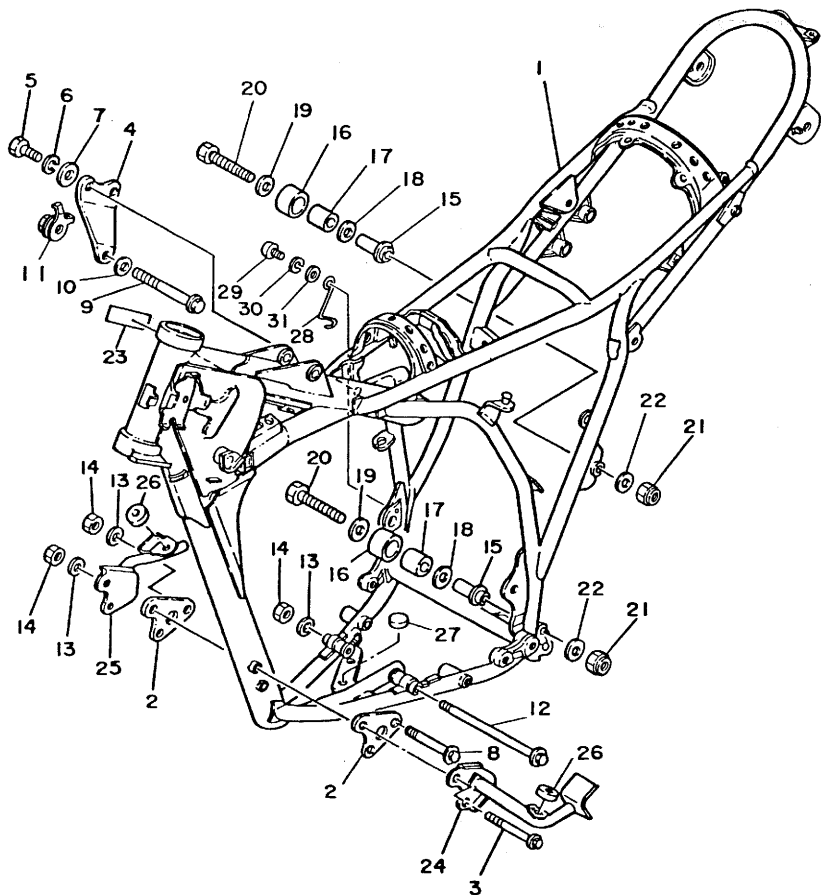


REF. NO.	PART NO.	DESCRIPTION	Q'TY	REMARKS
1	5X5-18101-00	SHIFT SHAFT ASSY	1	
2	5X6-18111-00	PEDAL, shift	1	
3	5X4-18162-00	PEDAL, shift	1	
4	90508-14516	SPRING, torsion	1	
5	90243-08020	PIN	1	
6	1W6-18113-00	COVER, shift Pedal	1	
7	90446-11180	HOSE	1	
8	90201-06042	WASHER, Plate	1	
9	97321-06020	BDLT	1	
10	93101-12004	OIL SEAL	1	
11	93608-25150	PIN, dowel	1	
12	90560-12171	SPACER	1	
13	90508-29361	SPRING, torsion	1	

FWD

C3

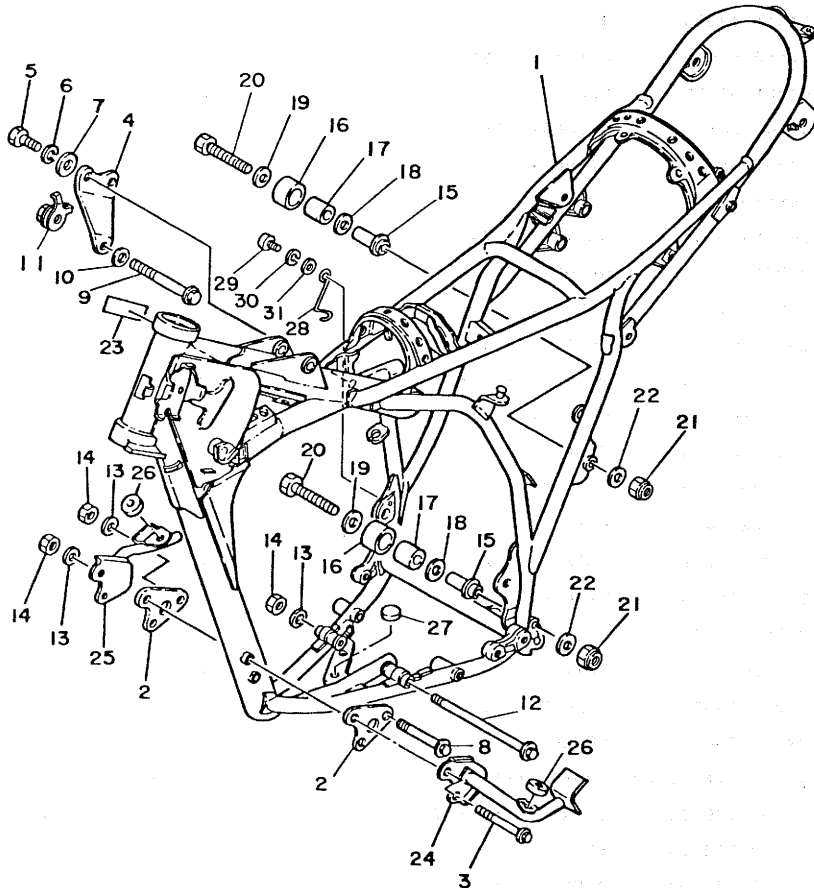
FIG. 14 FRAME



REF. NO.	PART NO.	DESCRIPTION	Q'TY	REMARKS
1	5L4-21110-01-33	FRAME COMP	1	yamaha black
2	3R4-21415-00	BRACKET, front upper 1	2	
3	95811-08080	BOLT, flange	2	
4	4V4-21425-00	BRACKET, rear upper 1	1	
5	97321-08025	BOLT	2	
6	92901-08100	WASHER, spring	2	
7	92901-08600	WASHER, Plate	2	
8	95811-08075	BOLT, flange	1	
9	95811-10055	BOLT, flange	1	
10	92901-10200	WASHER, Plain	1	
11	4V6-21167-00	HOLDER, nut	1	
12	95811-08170	BOLT, flange	1	
13	92901-08200	WASHER, Plain	4	
14	90185-08089	NUT, self-locking	4	
15	2K7-2148A-00	SHAFT	2	
16	5X6-22178-00	TENSIONER	2	
17	4V4-22184-00	BUSH	2	
18	90201-13202	WASHER, Plate	2	
19	90201-08113	WASHER, Plate	2	
20	97301-08055	BOLT	2	
21	95602-08100	NUT, u	2	
22	90201-08638	WASHER, Plate	2	
23	3R4-2139W-00	COVER	1	
24	4V5-2147A-00-33	GUARD, engine 1	1	yamaha black
25	4V5-2147E-00-33	GUARD, engine 2	1	yamaha black
26	2J5-21732-00	SEAL 1	2	
27	431-24181-00	DAMPER, locating 1	2	
28	5L4-2741H-00	HOLDER, spring	1	

FIG. 14 FRAME

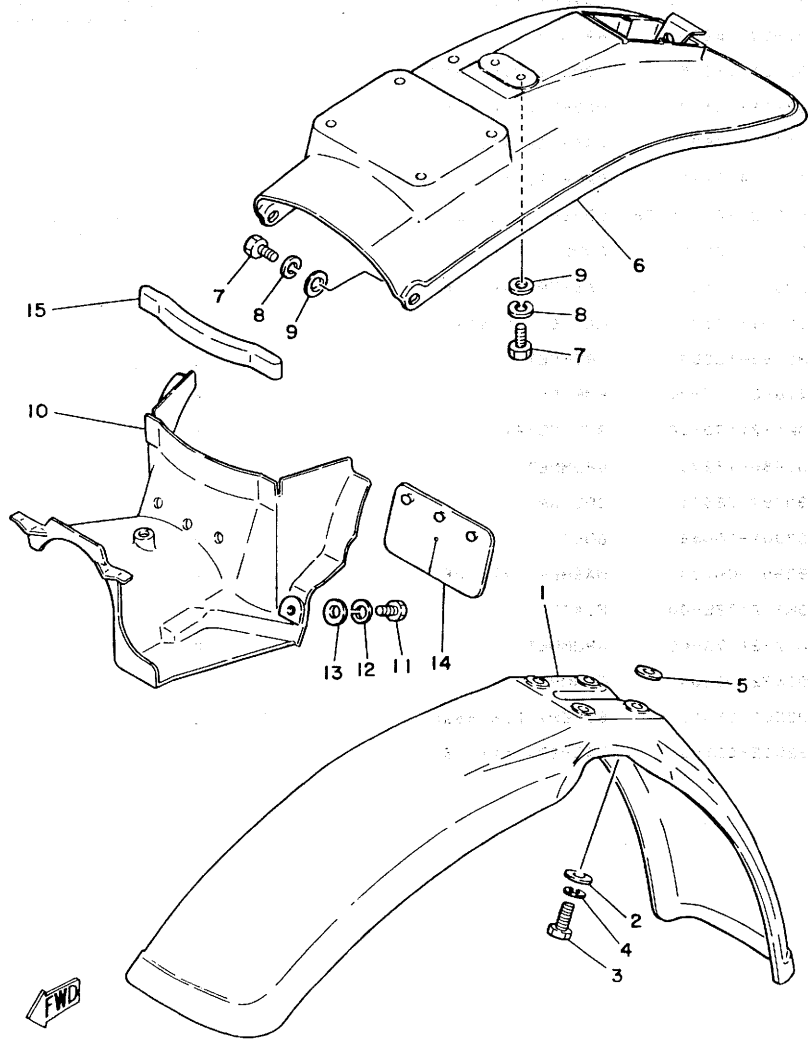
REF. NO.	PART NO.	DESCRIPTION	Q'TY	REMARKS
29	92501-06010	SCREW, Pan head	1	
30	92901-06100	WASHER, sPring	1	
31	92901-06200	WASHER, Plain	1	



C5



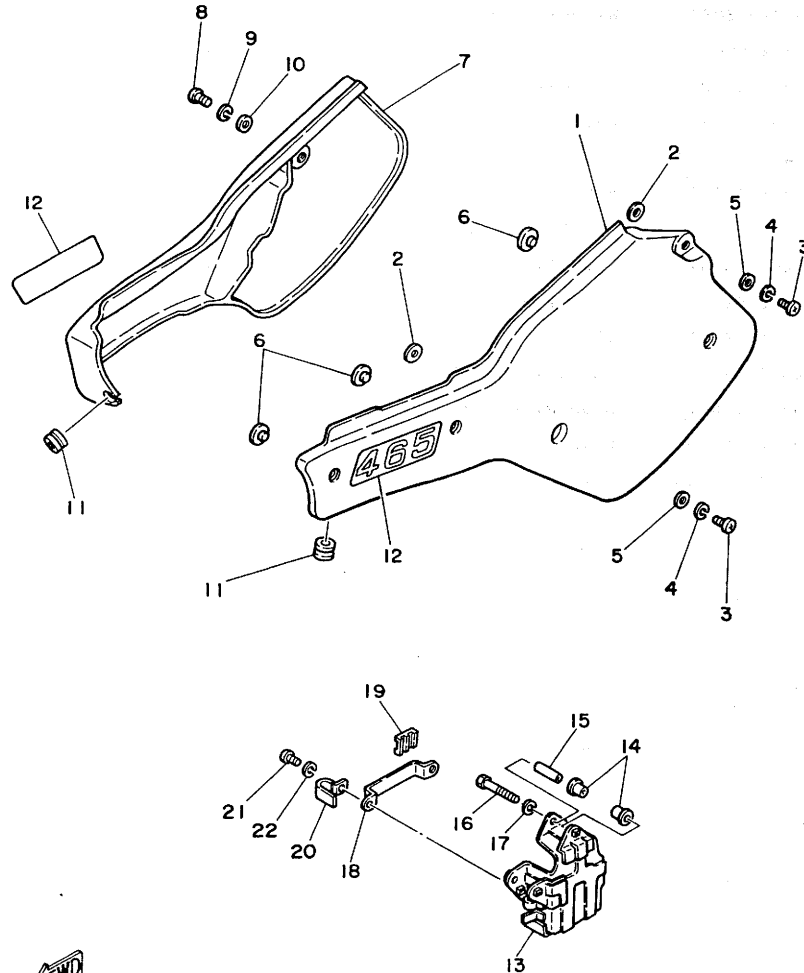
FIG. 15 FRONT FENDER•REAR FENDER



REF. NO.	PART NO.	DESCRIPTION	Q'TY	REMARKS
1	3R9-21511-10	FENDER, front	1	sky blue
2	90201-06067	WASHER, Plate	4	
3	97302-06020	BOLT	4	
4	92902-06100	WASHER, sPring	4	
5	90209-06187	WASHER	4	
6	5L4-21610-10	REAR FENDER COMP.	1	sky blue
7	97306-06016	BOLT	4	
8	92906-06100	WASHER, sPring	4	
9	90201-06067	WASHER, Plate	4	
10	4V5-21629-00	GUARD, mud	1	
11	97301-06016	BOLT	2	
12	92902-06100	WASHER, sPring	2	
13	90201-06067	WASHER, Plate	2	
14	1M1-21621-00	FLAP	1	
15	565-21746-00	SEAL, mud Guard	1	

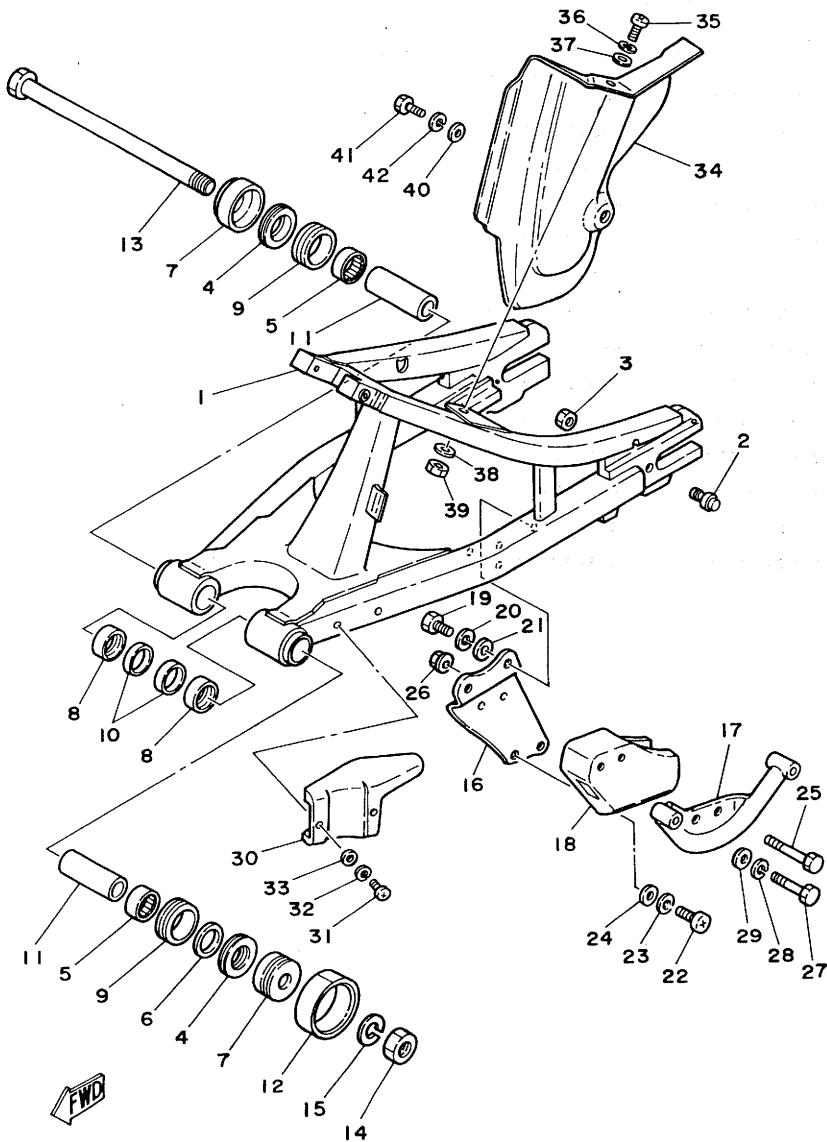
C6

FIG. 16 SIDE COVER



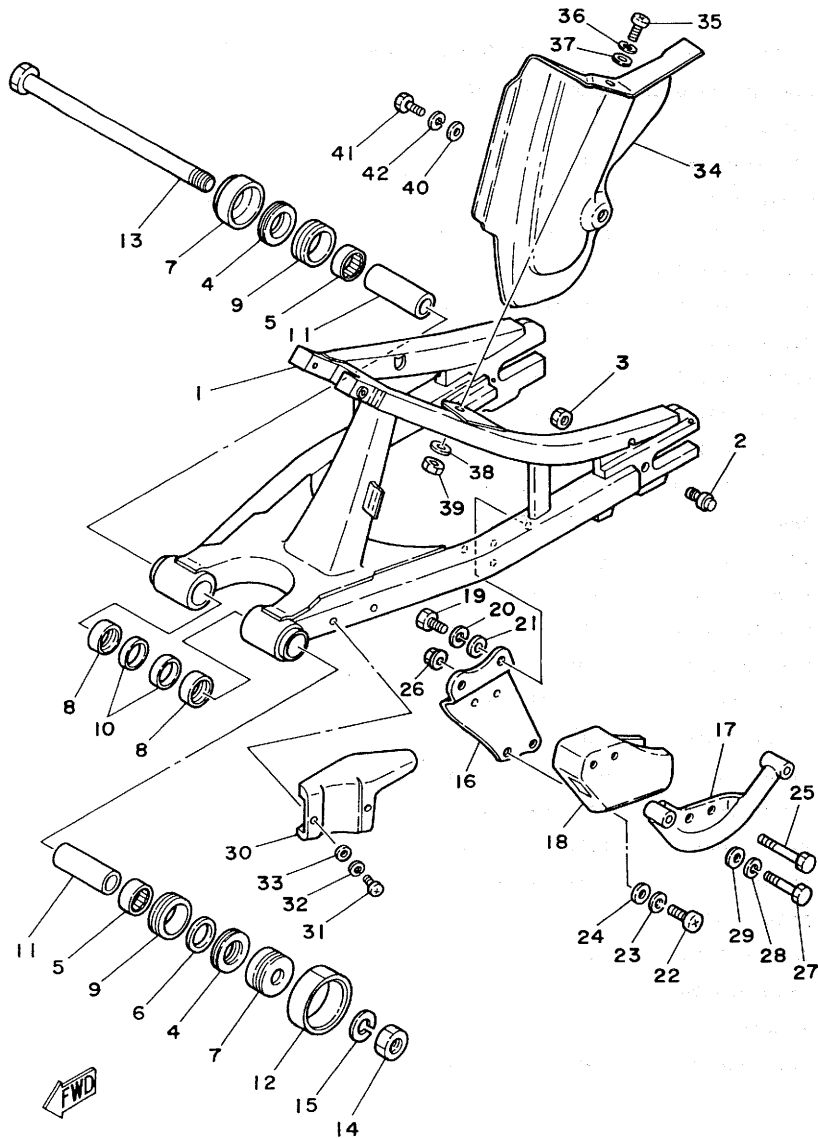
REF. NO.	PART NO.	DESCRIPTION	Q'TY	REMARKS
1	4V5-21711-10-26	COVER, side 1	1	competition yellow /sky blue
2	92902-08200	WASHER	2	
3	92501-06015	SCREW, Pan head	2	
4	92901-06100	WASHER, sPring	2	
5	90201-06571	WASHER, Plate	2	
6	431-24181-00	DAMPER, locating 1	3	
7	4V5-21721-10-26	COVER, side 2	1	competition yellow /sky blue
8	92501-06015	SCREW, Pan head	1	
9	92901-06100	WASHER, sPring	1	
10	90201-06571	WASHER, Plate	1	
11	90480-12053	GROMMET	2	
12	4V6-21737-00	EMBLEM	2	
13	3W1-21170-00	BOX COMP.	1	
14	90480-15279	GROMMET	4	
15	90387-06574	COLLAR	2	
16	97301-06045	BOLT	2	
17	92901-06100	WASHER, sPring	2	
18	3W1-2176E-00	PLATE	1	
19	4J2-21773-00	GROMMET	2	
20	90462-05005	CLAMP	1	
21	92501-06012	SCREW, Pan head	2	
22	92902-06100	WASHER, sPring	2	

FIG. 17 REAR ARM



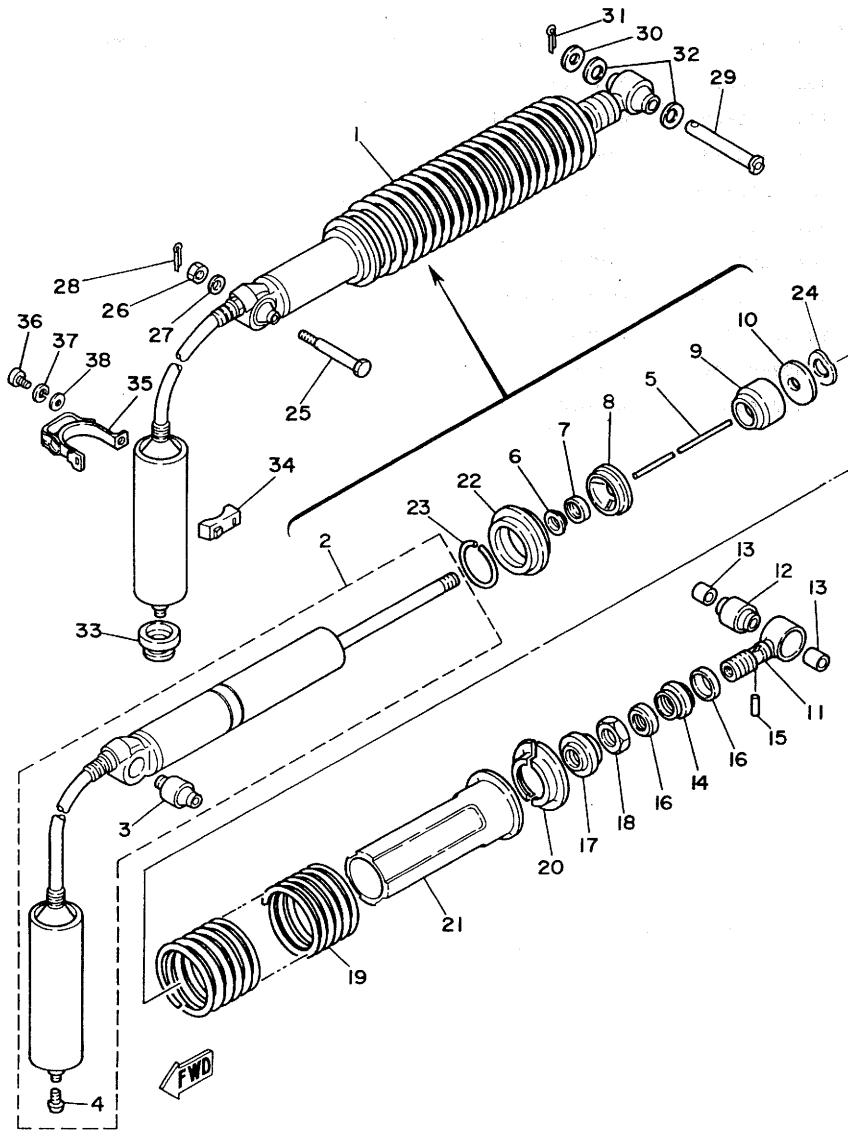
REF. NO.	PART NO.	DESCRIPTION	Q'TY	REMARKS
1	4V6-22110-00-35	REAR ARM COMP.	1	silver
2	90109-08599	BOLT	2	
3	90179-08278	NUT	2	
4	93342-22208	BEARING	2	
5	93317-22214	BEARING, cylindrical	2	
6	648-45533-00-03	SHIM (0.3T)	1	UN
7	3R4-22129-00	COVER, thrust 2	2	
8	90386-22097	BUSH	2	
9	93108-35004	OIL SEAL	2	
10	93109-22018	OIL SEAL	2	
11	90380-16077	BUSH, solid	2	
12	431-22151-03	SEAL, Guard	1	
13	3R4-22141-00	SHAFT, Pivot	1	
14	90170-16111	NUT	1	
15	92901-16100	WASHER, sPring	1	
16	2X4-22179-00	ARM, tensioner	1	
17	3R5-22153-00	GUARD, chain	1	
18	2X4-22199-00	SUPPORT, chain	1	
19	97301-08016	BOLT	2	
20	92901-08100	WASHER, sPring	2	
21	92901-08600	WASHER, Plate	2	
22	92501-06020	SCREW, Pan head	2	
23	92901-06100	WASHER, sPring	2	
24	92901-06600	WASHER, Plate	2	
25	97301-06050	BOLT	2	
26	95702-06300	NUT, nylon	2	
27	97301-08035	BOLT	2	
28	92901-08100	WASHER, sPring	2	

FIG. 17 REAR ARM



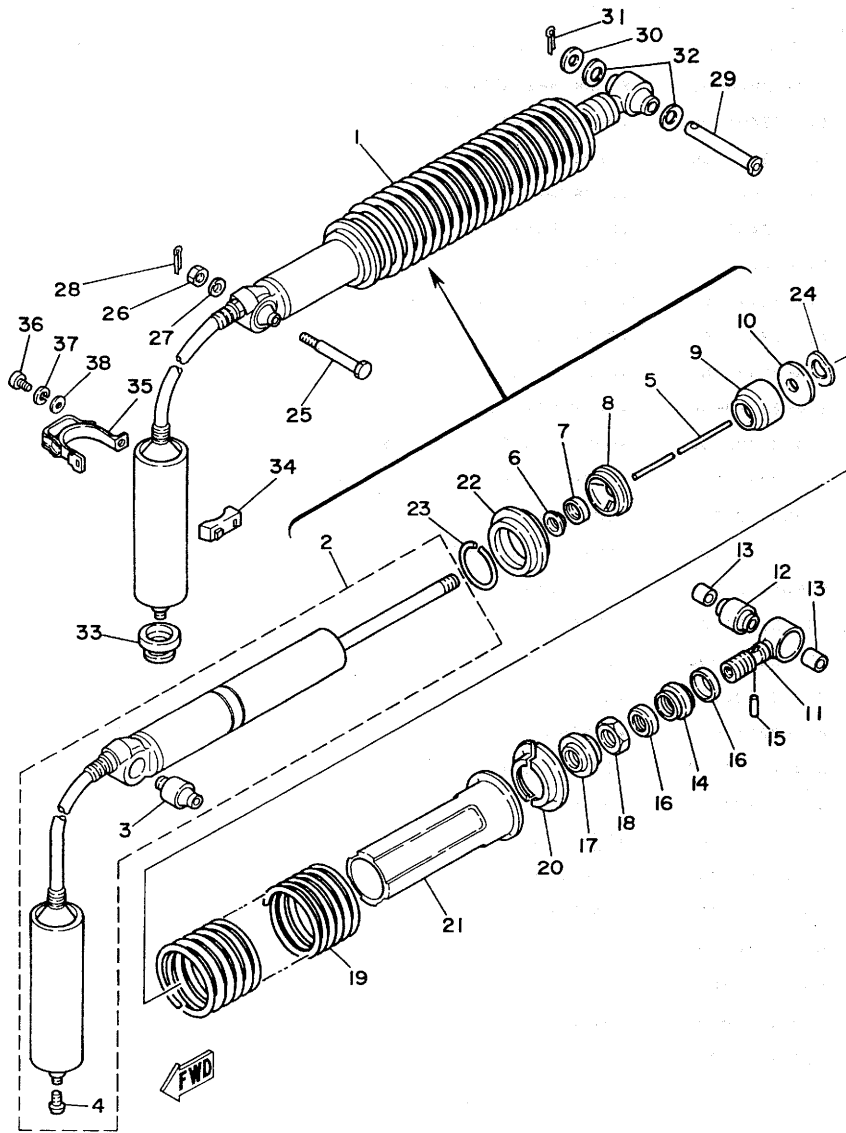
REF. NO.	PART NO.	DESCRIPTION	Q'TY	REMARKS
29	92901-08600	WASHER, Plate	2	
30	3R4-22147-00	PROTECTOR, chain	1	
31	98501-05010	SCREW, Pan head	2	
32	92901-05100	WASHER, sPring	2	
33	92901-05200	WASHER, Plain	2	
34	4V5-22311-00	CASE, chain	1	black
35	92501-06020	SCREW, Pan head	1	
36	92901-06100	WASHER, sPring	1	
37	92901-06600	WASHER, Plate	1	
38	90201-06067	WASHER, Plate	1	
39	95601-06100	NUT, u	1	
40	90201-06067	WASHER, Plate	1	
41	97301-06020	BOLT	1	
42	92901-06100	WASHER, sPring	1	

FIG. 18 REAR SUSPENSION



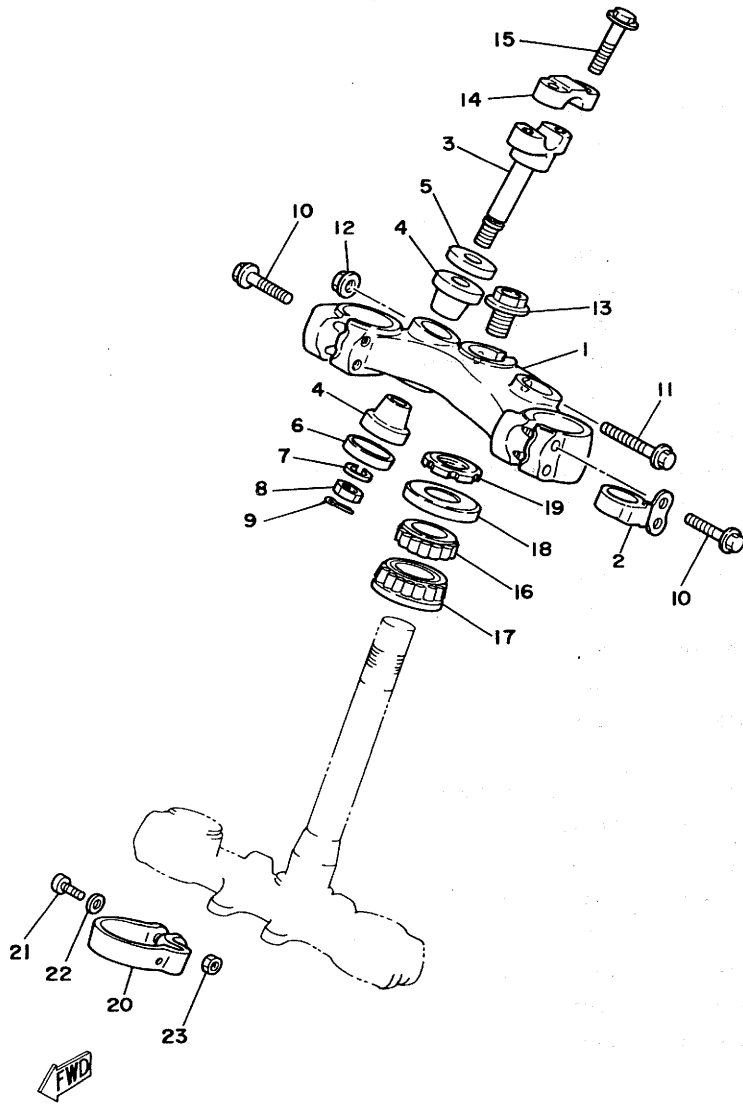
REF. NO.	PART NO.	DESCRIPTION	Q'TY	REMARKS
1	4V6-22210-00	SHOCK ABSORBER ASSY, rear	1	
2	4V6-22401-00	•DUMPER SUB ASSY	1	
3	1W1-22216-00	••BUSH, rear shock absorber	1	
4	98501-04005	••SCREW, Pan head	1	
5	3R4-22489-00	•ROD, Push	1	
6	3R4-22475-00	•SEAL, dust	1	
7	3R4-22473-00	•HOUSING, seal ring	1	
8	4L0-22472-00	•CAP, case	1	
9	2W6-22493-00	•BUMPER, stoP	1	
10	3R4-22228-00	•SUPPORT, bumP stoP	1	
11	3R4-22409-00	•UPPER BRACKET SUB ASSY	1	
12	3R4-22226-00	•BUSH, shock absorber lower	1	
13	90380-12051	•BUSH, solid	2	
14	3R4-22497-00	•NUT, adjusting	1	
15	93604-26132	•PIN, dowel	1	
16	3R4-22221-01	•COVER	2	
17	3R4-22213-00	•SEAT, sPrinG upper	1	
18	90170-20213	•NUT	1	
19	4V6-22212-00	•SPRING	1	(yellow /Pink)
20	3R4-22214-00	•GUIDE, sPrinG 1	2	
21	3R4-22224-00	•GUIDE, sPrinG 2	1	
22	3R4-22223-00	•SEAT, sPrinG lower	1	
23	93440-50078	•CIRCLIP	1	
24	90206-14067	•WASHER, wave	1	
25	90109-10550	BOLT	1	
26	95302-10700	NUT	1	
27	92902-10600	WASHER, Plate	1	
28	91401-20025	PIN, cotter	1	

FIG. 18 REAR SUSPENSION



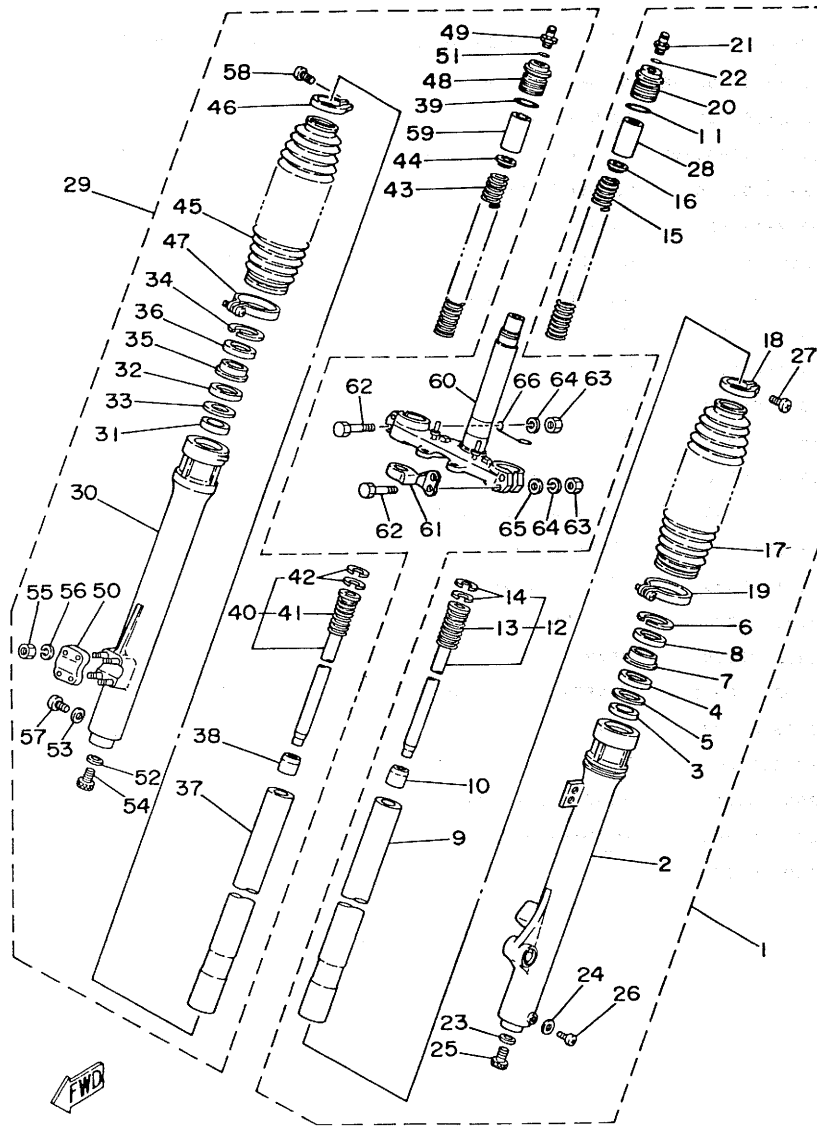
REF. NO.	PART NO.	DESCRIPTION	Q'TY	REMARKS
29	90240-12074	PIN, clevis	1	
30	92901-12600	WASHER, Plate	1	
31	91401-30025	PIN, cotter	1	
32	1W1-22128-00	COVER, thrust 1	2	
33	90480-22263	GROMMET	1	
34	3R4-22261-00	DAMPER, sub tank	1	
35	4V4-22262-01	HOLDER, sub tank	1	
36	92502-06016	SCREW, Pan head	1	
37	92902-06100	WASHER, sPring	1	
38	92902-06600	WASHER	1	

FIG. 19 STEERING



REF. NO.	PART NO.	DESCRIPTION	Q'TY	REMARKS
1	3R4-23435-00-98	CROWN, handle	1	low gloss black
2	3R4-23389-00	GUIDE, cable	1	
3	3R4-23442-00-98	HOLDER, handle lower	2	low gloss black
4	1E6-23434-00	HOLDER, damPer	4	
5	90209-12143	WASHER	2	
6	90209-10195	WASHER	2	
7	92901-10100	WASHER, sPring	2	
8	95302-10700	NUT	2	
9	91401-20020	PIN, cotter	2	
10	95821-08040	BOLT, flange	4	
11	95821-08055	BOLT, flange	1	
12	95701-08100	NUT, flange	1	
13	90105-14136	BOLT, washer based	1	
14	1E6-23441-00-98	HOLDER, handle uPPer	2	low gloss black
15	95821-08035	BOLT, flange	4	
16	93332-00023	BEARING	1	
17	93332-00008	BEARING	1	
18	1W1-23416-00	COVER, ball race 2	1	
19	90179-25033	NUT	1	
20	1W2-23318-00	HOLDER, cable 1	1	
21	98501-05018	SCREW, Pan head	1	
22	92901-05600	WASHER, Plate	1	
23	95301-05600	NUT	1	

FIG. 20 FRONT FORK

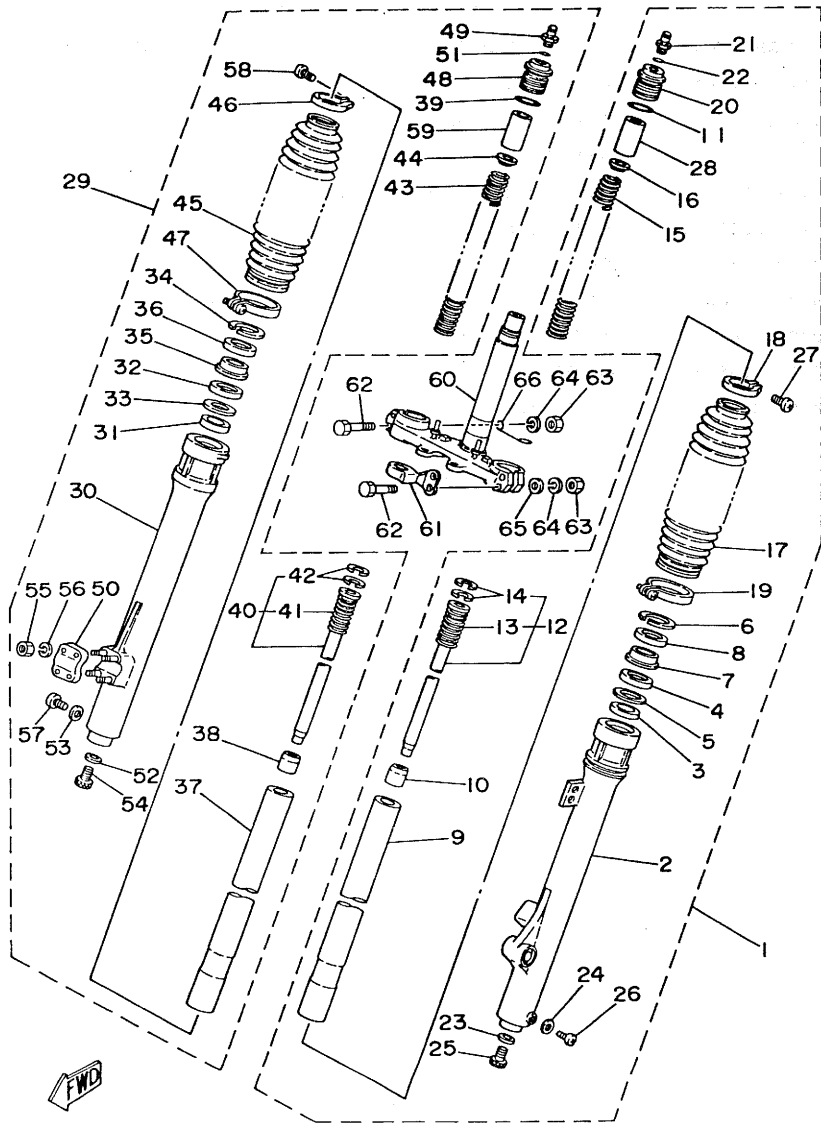


REF. NO.	PART NO.	DESCRIPTION	Q'TY	REMARKS
1	4V5-23102-L1	FRONT FORK ASSY (L.H)	1	
2	4V5-23126-L0	•TUBE, outer 1	1	
3	4V2-23125-L0	•METAL, slide 1	1	
4	1W4-23145-L0	•OIL SEAL	1	
5	4V2-23146-L0	•WASHER, oil seal	1	
6	3R4-23153-00	•RING, snap	1	
7	3R4-23144-00	•SEAL, dust	1	
8	3R4-23148-00	•COVER, dust seal	1	
9	5X4-23110-L0	•INNER TUBE COMP.1	1	
10	3R4-23173-L0	•SPINDLE, taPer	1	
11	1W4-23114-L0	•GASKET	1	
12	4V5-23170-L0	•CYLINDER COMP., front fork	1	
13	1W4-23151-L0	••SPRING, rebound	1	
14	4V2-23157-L0	••RING, Piston	2	
15	4V5-23141-L1	•SPRING, front fork	1	
16	1W4-23142-L0	•SEAT, sPring upper	1	
17	3R4-23191-M0	•BOOT	1	
18	1W4-23192-L0	•BAND	1	
19	1W4-23489-L0	•BAND	1	
20	5X4-23111-L0	•BOLT, caP	1	
21	4V4-23190-L0	•AIR VALVE COMP.	1	
22	3J2-23147-00	•O-RING	1	
23	509-23158-L0	•GASKET	1	
24	122-23129-00	•GASKET, drain Plug	1	
25	3R4-23181-L0	•BOLT, hexaagon socket head	1	
26	122-23119-01	•PLUG, drain	1	
27	4V2-23194-L0	•SCREW, boot band	1	
28	4V5-23118-L1	•SPACER	1	

C13

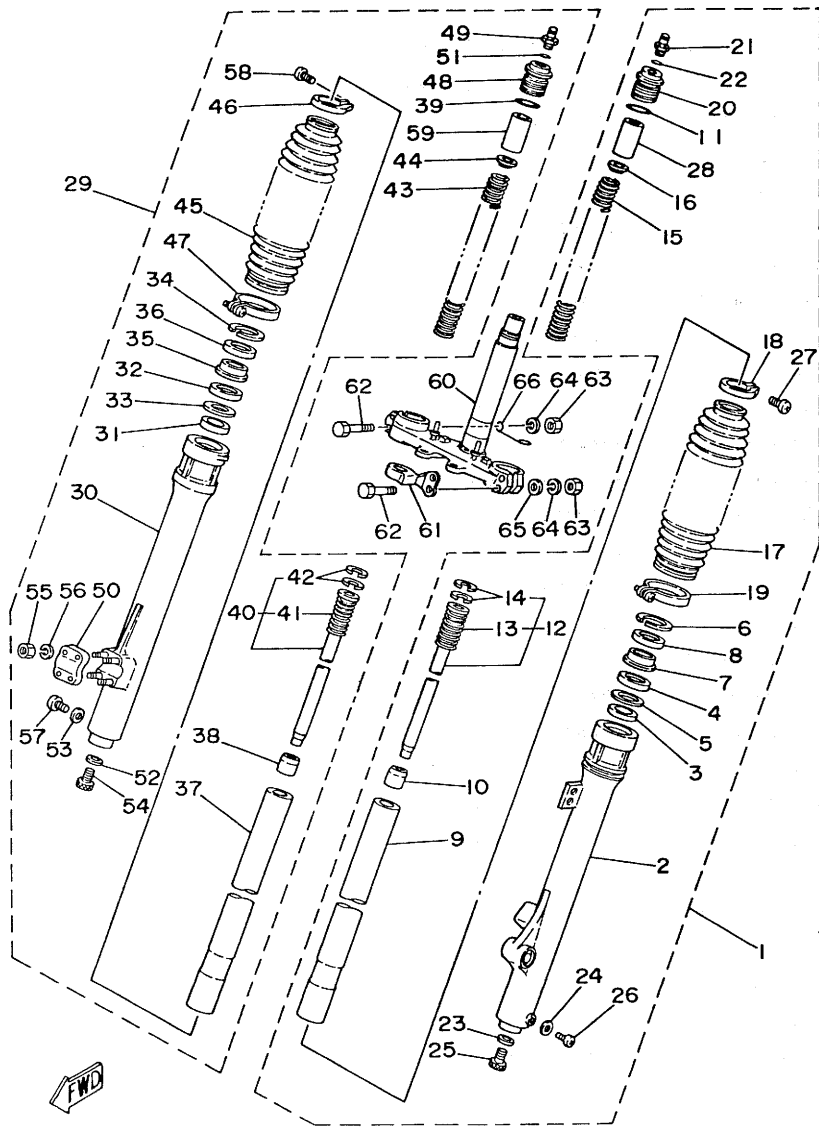


FIG. 20 FRONT FORK



REF. NO.	PART NO.	DESCRIPTION	Q'TY	REMARKS
29	4V5-23103-L1	FRONT FORK ASSY (R.H)	1	
30	4V5-23136-L0	•TUBE, outer 2	1	
31	4V2-23125-L0	•METAL, slide 1	1	
32	1W4-23145-L0	•OIL SEAL	1	
33	4V2-23146-L0	•WASHER, oil seal	1	
34	3R4-23153-00	•RING, snaP	1	
35	3R4-23144-00	•SEAL, dust	1	
36	3R4-23148-00	•COVER, dust seal	1	
37	5X4-23110-L0	•INNER TUBE COMP.1	1	
38	3R4-23173-L0	•SPINDLE, taPer	1	
39	1W4-23114-L0	•GASKET	1	
40	4V5-23170-L0	•CYLINDER COMP., front fork	1	
41	1W4-23151-L0	••SPRING, rebound	1	
42	4V2-23157-L0	••RING, Piston	2	
43	4V5-23141-L1	•SPRING, front fork	1	
44	1W4-23142-L0	•SEAT, sPring uPPer	1	
45	3R4-23191-M0	•BOOT	1	
46	1W4-23192-L0	•BAND	1	
47	1W4-23489-L0	•BAND	1	
48	5X4-23111-L0	•BOLT, caP	1	
49	4V4-23190-L0	•AIR VALVE COMP.	1	
50	4V2-23167-L0	•HOLDER, axle	1	
51	3J2-23147-00	•O-RING	1	
52	509-23158-L0	•GASKET	1	
53	122-23129-00	•GASKET, drain Plug	1	
54	3R4-23181-L0	•BOLT, hexa8on socket head	1	
55	95311-06600	•NUT	4	
56	92901-06100	•WASHER, sPring	4	

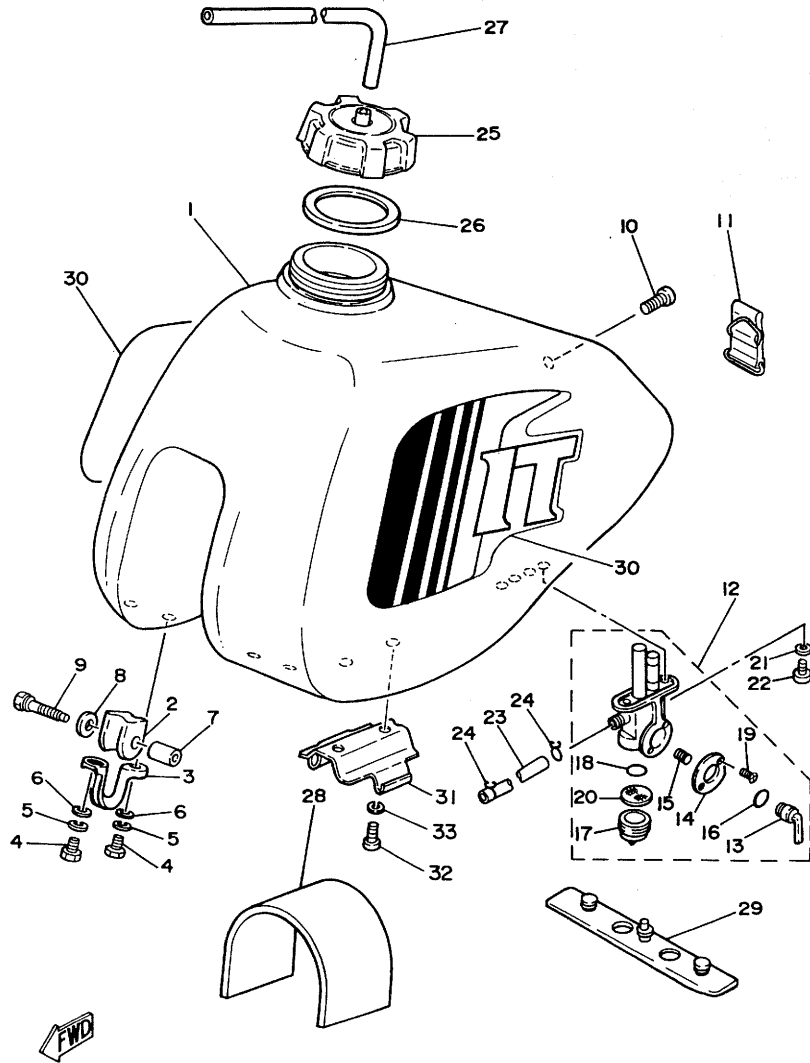
FIG. 20 FRONT FORK



REF. NO.	PART NO.	DESCRIPTION	Q'TY	REMARKS
57	122-23119-01	•PLUG, drain	1	
58	4V2-23194-L0	•SCREW, boot band	1	
59	4V5-23118-L1	•SPACER	1	
60	4V5-23340-L0-33	UNDER BRACKET COMP.	1	yamaha black
61	3R4-23389-00	GUIDE, cable	1	
62	90109-08397	BOLT	4	
63	95311-08600	NUT	4	
64	92901-08100	WASHER, sPrin8	4	
65	90201-08544	WASHER, Plate	3	
66	4V5-23389-00	GUIDE, cable	1	

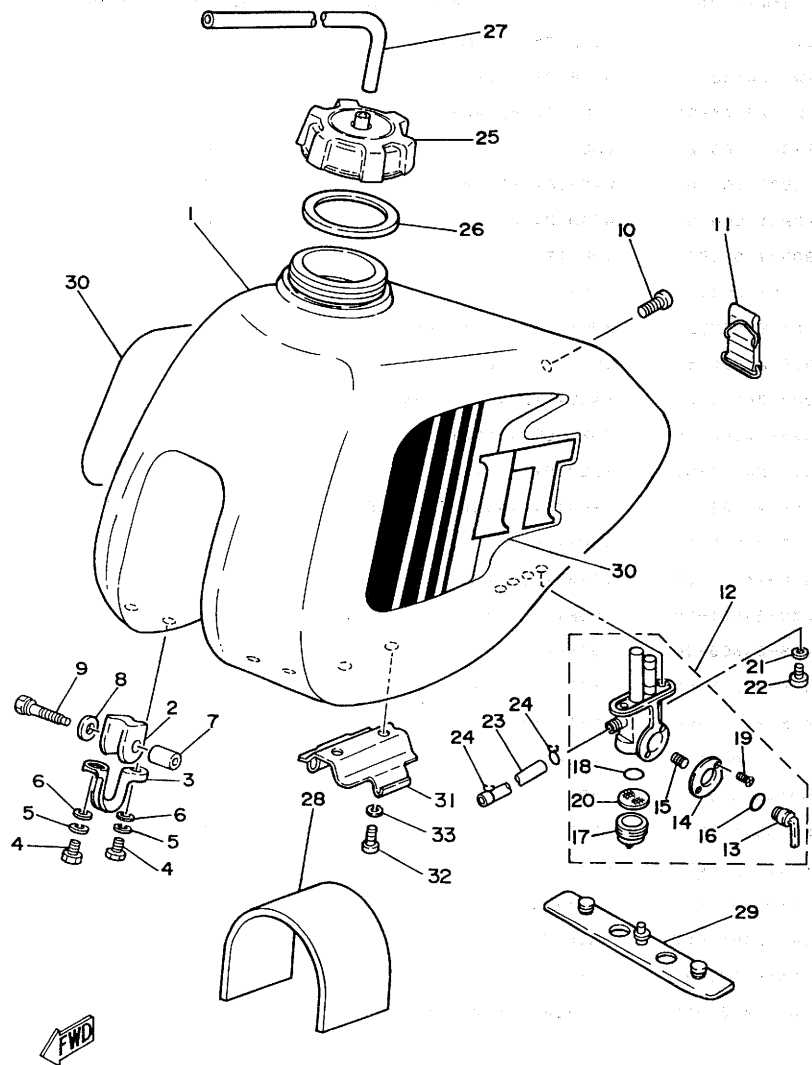
C15

FIG. 21 FUEL TANK



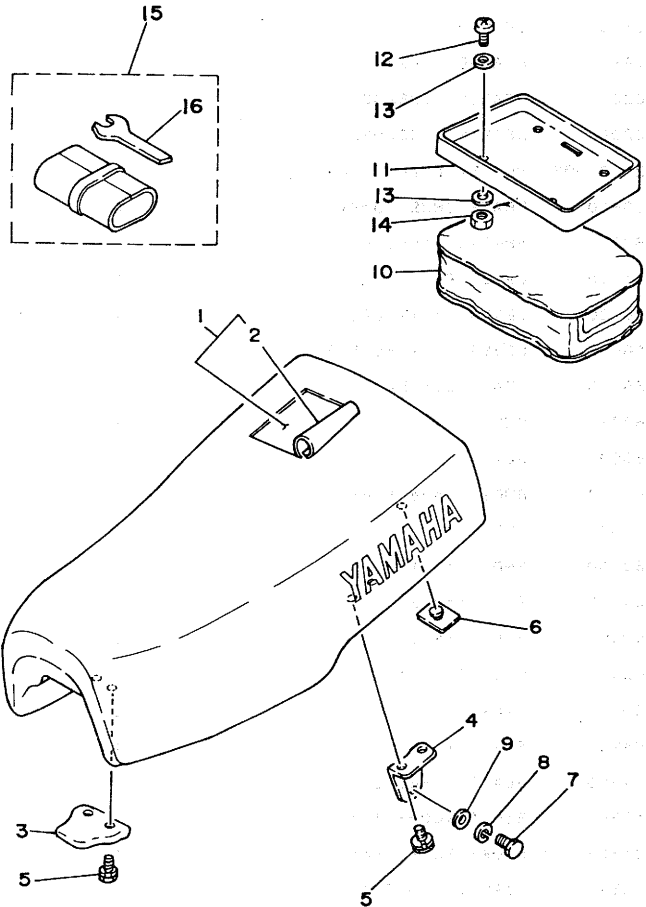
REF. NO.	PART NO.	DESCRIPTION	Q'TY	REMARKS
1	4V5-24110-11	FUEL TANK COMP.	1	sky blue
2	1W1-24182-01	DAMPER, locating 2	2	
3	1W1-24144-01	HOLDER, damPer	2	
4	97301-06012	BOLT	4	
5	92901-06100	WASHER, sPring	4	
6	92901-06600	WASHER, Plate	4	
7	90387-07393	COLLAR	2	
8	90201-06407	WASHER, Plate	2	
9	90119-06022	BOLT, with washer	2	
10	98902-06018	SCREW, bind	1	
11	3R3-24173-00	BAND, tank fitting 1	1	
12	4V5-24500-00	FUEL COCK ASSY 1	1	
13	4V5-24524-00	•LEVER, cock	1	
14	4V5-24525-00	•PLATE, lever fitting	1	
15	357-24529-10	•SPRING	1	
16	4X8-24534-00	•SEAL, cock	1	
17	4X8-24521-00	•CUP, filter	1	
18	4X8-24565-00	•GASKET	1	
19	4X8-24535-00	•SCREW, lever fitting	2	
20	4X8-24515-00	•NET, filter 2	1	
21	90202-06010	WASHER, Plate	2	
22	90149-06011	SCREW	2	
23	90445-11152	HOSE	1	
24	90467-10008	CLIP	2	
25	3R9-24611-00	BODY, caP	1	
26	3R9-24612-00	GASKET, caP	1	
27	90445-09117	HOSE	1	
28	1W1-24183-00	DAMPER, locating 3	1	

FIG. 21 FUEL TANK



REF. NO.	PART NO.	DESCRIPTION	Q'TY	REMARKS
29	3R4-24181-00	DAMPER, locatinG 1	1	
30	4V5-24240-19	GRAPHIC SET	1	
31	4V3-14493-00	STAY 1	1	
32	92501-06010	SCREW, Pan head	2	
33	92901-06100	WASHER, sPrinG	2	

FIG. 22 SEAT



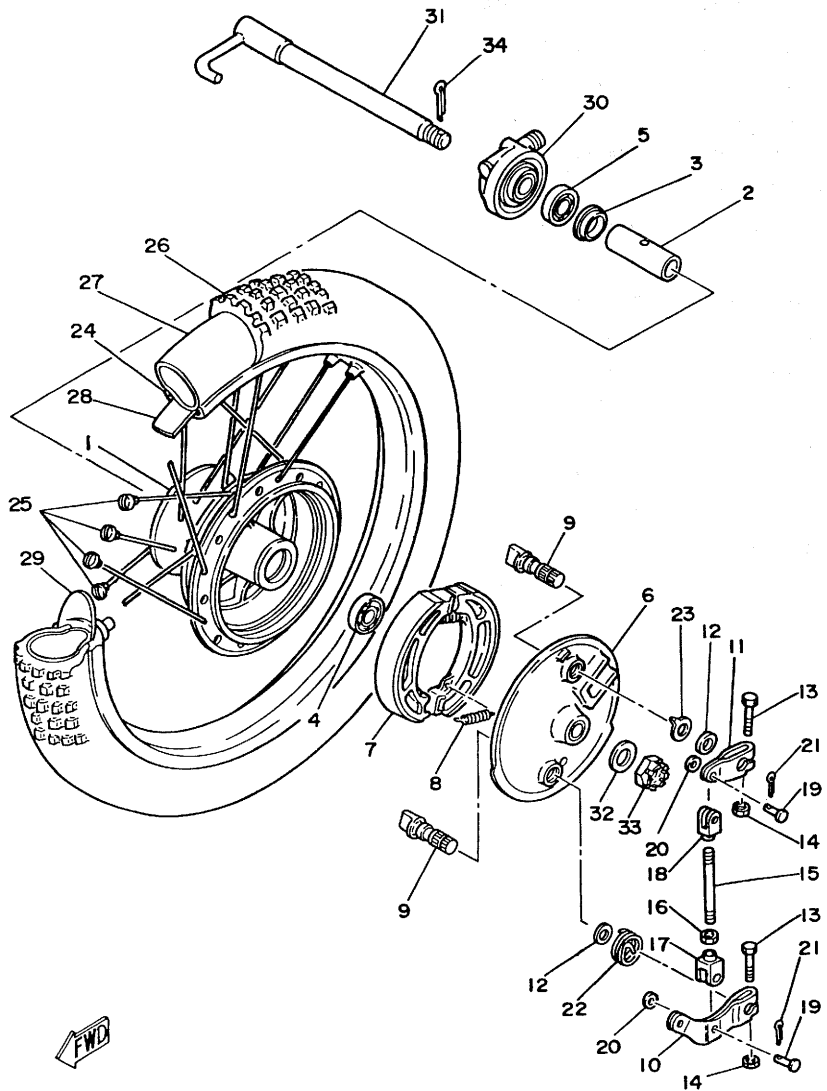
REF. NO.	PART NO.	DESCRIPTION	Q'TY	REMARKS
1	4V5-W2473-10	SEMI-DOUBLE SEAT ASSY	1	
2	4V5-24771-10	•COVER, semi-double seat	1	
3	1M1-24748-00	BRACKET, seat	1	
4	1W1-24738-00	BRACKET, seat	2	
5	90101-06304	BOLT	6	
6	509-24724-00	DAMPER, seat	2	
7	97301-06016	BOLT	1	
8	92902-06100	WASHER, sPrinG	1	
9	92902-06600	WASHER	1	
10	4V5-24850-00	CARRIER BOX ASSY	1	
11	4V5-24833-00	BRACKET, carrier 2	1	
12	92501-06020	SCREW, Pan head	4	
13	90201-06067	WASHER, Plate	8	
14	95602-06100	NUT, u	4	
15	4V5-28100-10	TOOL KIT	1	
16	1W1-28135-10	•SPANNER, sPecial	1	

FWD

D4

FIG. 23 FRONT WHEEL

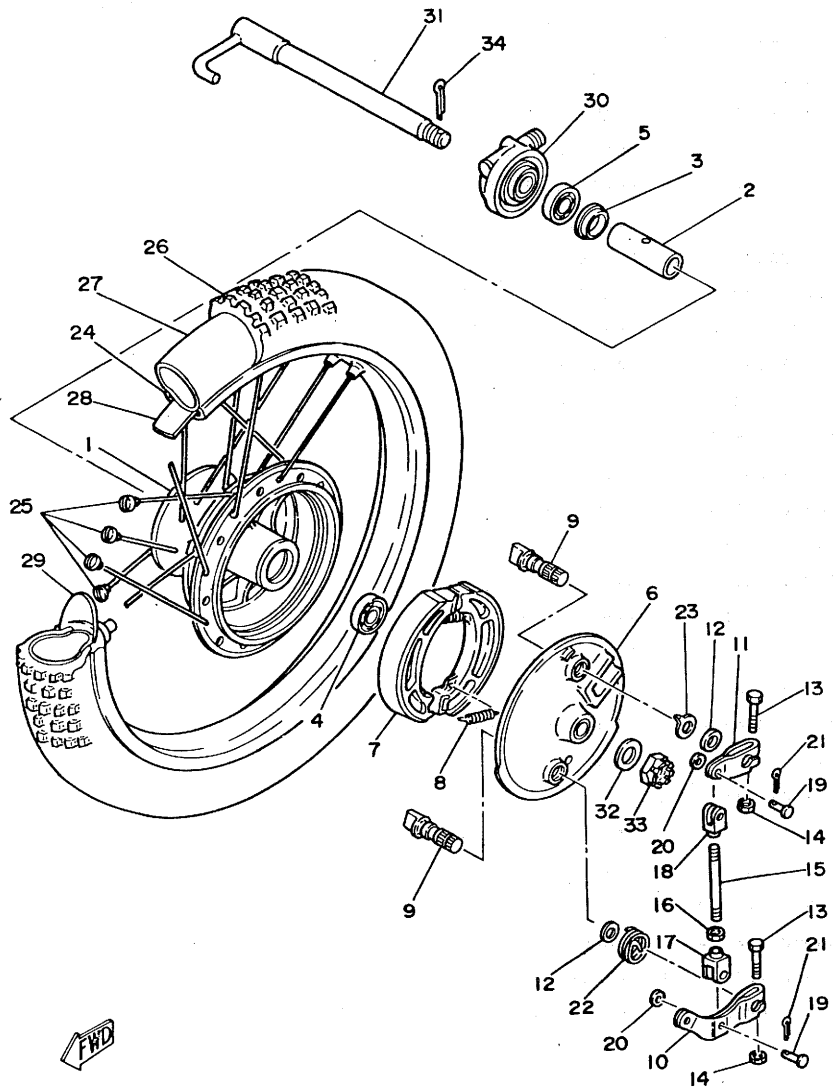
REF. NO.	PART NO.	DESCRIPTION	Q'TY	REMARKS
1	1K7-25111-11-98	HUB, front	1	low gloss black
2	90560-15116	SPACER	1	
3	146-25116-00	FLANGE, sPacer 2	1	
4	93306-20203	BEARING (B6202RS)	1	
5	93306-20205	BEARING (B6202)	1	
6	3R5-25121-01-98	PLATE, brake shoe	1	low gloss black
7	3R5-25130-00	BRAKE SHOE COMP.	2	
8	90506-16036	SPRING, tension	2	
9	5L5-25151-00	CAMSHAFT	2	
10	3R5-25155-00	LEVER, camshaft 1	1	
11	3R5-25156-00	LEVER, camshaft 2	1	
12	137-25159-00	SEAL, camshaft	2	
13	90101-06278	BOLT	2	
14	95301-06600	NUT	2	
15	3R5-25161-00	ROD, connecting	1	
16	95301-06700	NUT	1	
17	3R5-25163-00	END, rod 1	1	
18	3R5-25164-00	END, rod 2	1	
19	90240-06006	PIN, clevis	2	
20	92901-06200	WASHER, Plain	2	
21	91401-20015	PIN, cotter	2	
22	90508-20425	SPRING, torsion	1	
23	4N0-2513A-00	PLATE, indicator	1	
24	94416-21234	RIM (1.60-21)	1	
25	2W6-25104-02	SPOKE SET, front	1	
26	94130-21654	TIRE (3.00-21)	1	
27	94230-21126	TUBE (3.00-21)	1	inoue
28	94330-21088	BAND, rim (3.00-21)	1	inoue



D5

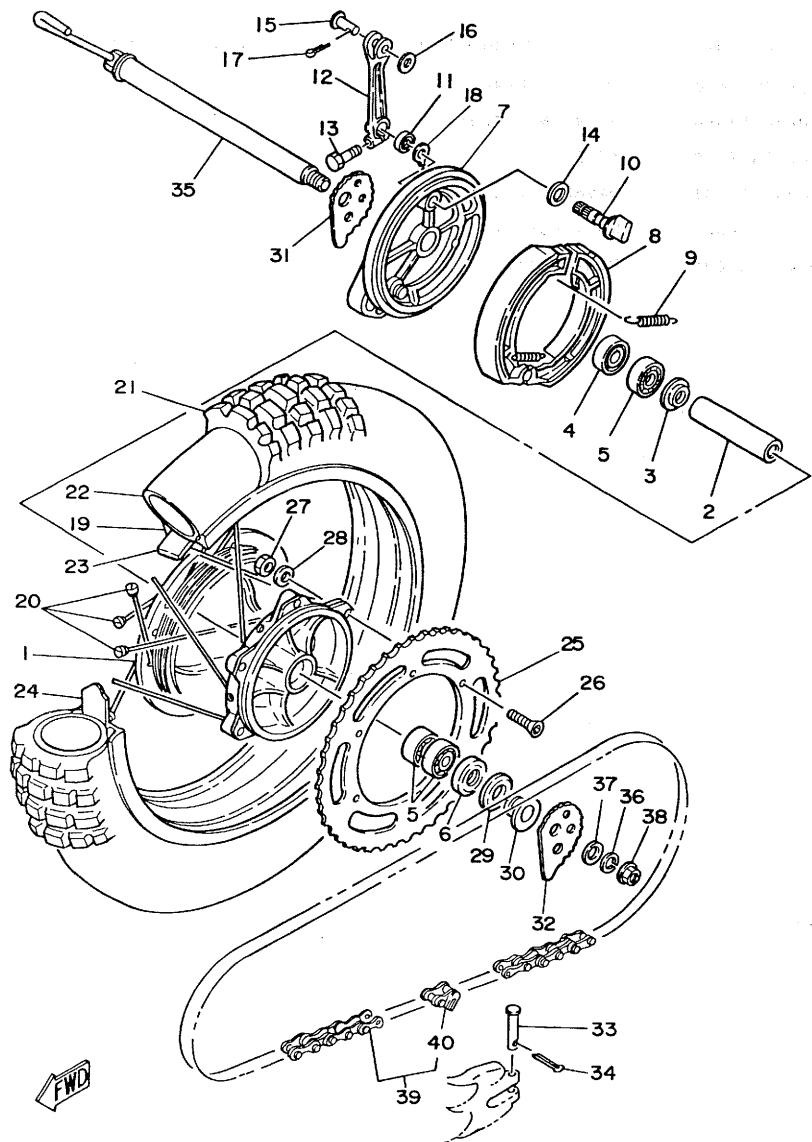
FIG. 23 FRONT WHEEL

REF. NO.	PART NO.	DESCRIPTION	Q'TY	REMARKS
29	4V5-25194-00	SPACER, bead	1	
30	1W2-25190-00	GEAR UNIT ASSY	1	
31	4V5-25181-00	AXLE, wheel	1	
32	90201-15785	WASHER, Plate	1	
33	90171-14020	NUT, castle	1	
34	91401-30030	PIN, cotter	1	



D6

FIG. 24 REAR WHEEL

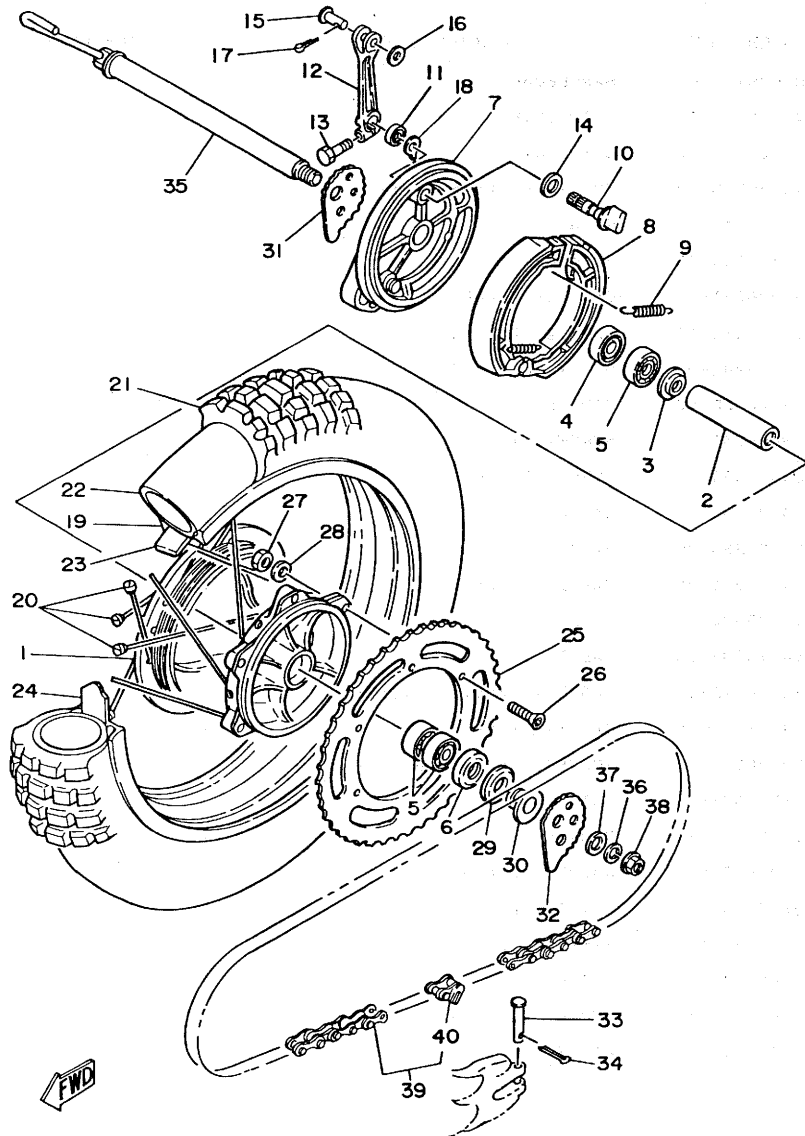


REF. NO.	PART NO.	DESCRIPTION	Q'TY	REMARKS
1	4V4-25311-00-98	HUB, rear	1	low gloss black
2	4V4-25317-00	SPACER, bearing	1	
3	4V4-25315-00	FLANGE, spacer	1	
4	93306-00418	BEARING	1	
5	93306-00406	BEARING (B6004Z)	3	
6	93102-28022	OIL SEAL	1	
7	4V5-25321-01-98	PLATE, brake shoe	1	low gloss black
8	4V4-25330-00	BRAKE SHOE COMP.	2	
9	90507-20002	SPRING, tension	2	
10	5L4-25351-00	CAMSHAFT	1	
11	148-25359-00	SEAL, camshaft	1	
12	4V5-25355-00	LEVER, camshaft	1	
13	90101-06291	BOLT	1	
14	148-25353-00	SHIM, camshaft	1	
15	1W2-27237-00	PIN, clevis	1	
16	90201-12631	WASHER, plate	1	
17	91401-25025	PIN, cotter	1	
18	3Y6-2533A-01	PLATE, indicator	1	
19	94425-17281	RIM (2.50-17)	1	
20	4V6-25304-00	SPOKE SET, rear	1	
21	94156-17675	TIRE	1	
22	94256-17180	TUBE	1	
23	94332-17112	BAND, rim (3.25-17)	1	inoue
24	2X5-25394-00	SPACER, bead	2	
25	3R6-25444-10-33	SPROCKET, driven (44T)	1	UR STD yamaha black
	3R6-25442-10-33	SPROCKET, driven (42T)	1	AP yamaha black
	3R6-25446-10-33	SPROCKET, driven (46T)	1	AP yamaha black
26	90110-08038	BOLT, hexagon socket head	6	

D7

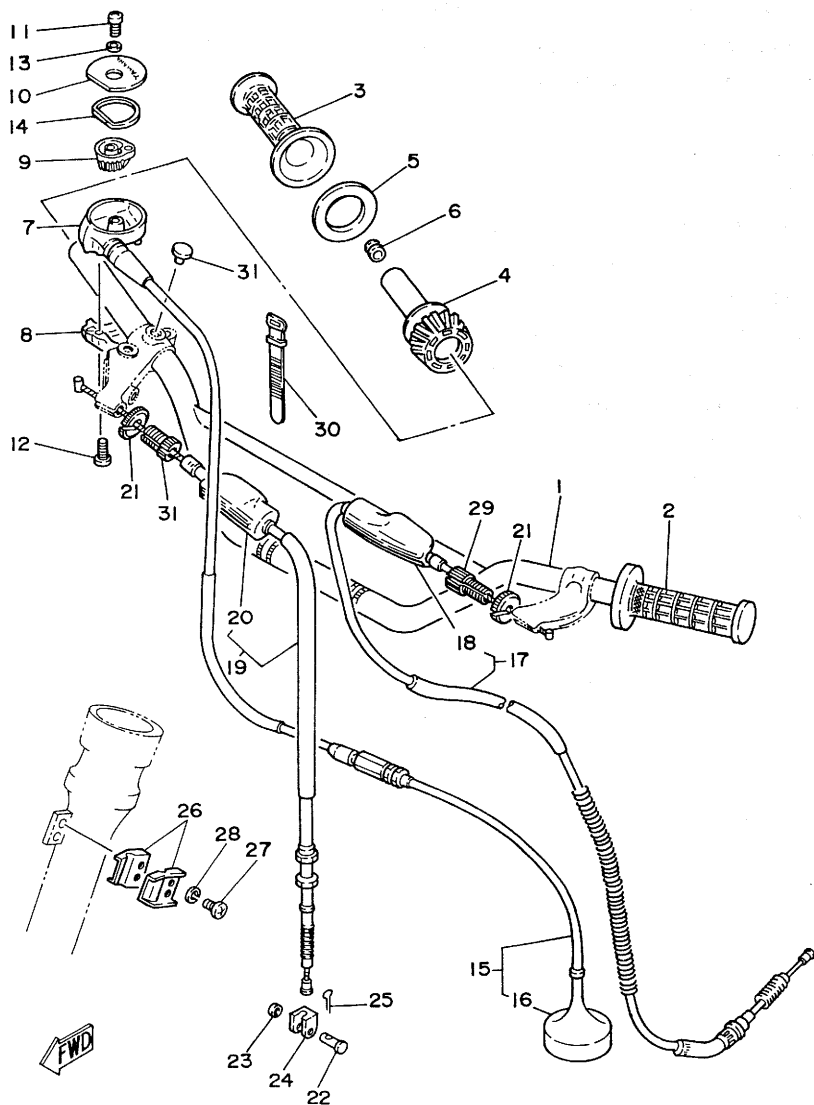


FIG. 24 REAR WHEEL



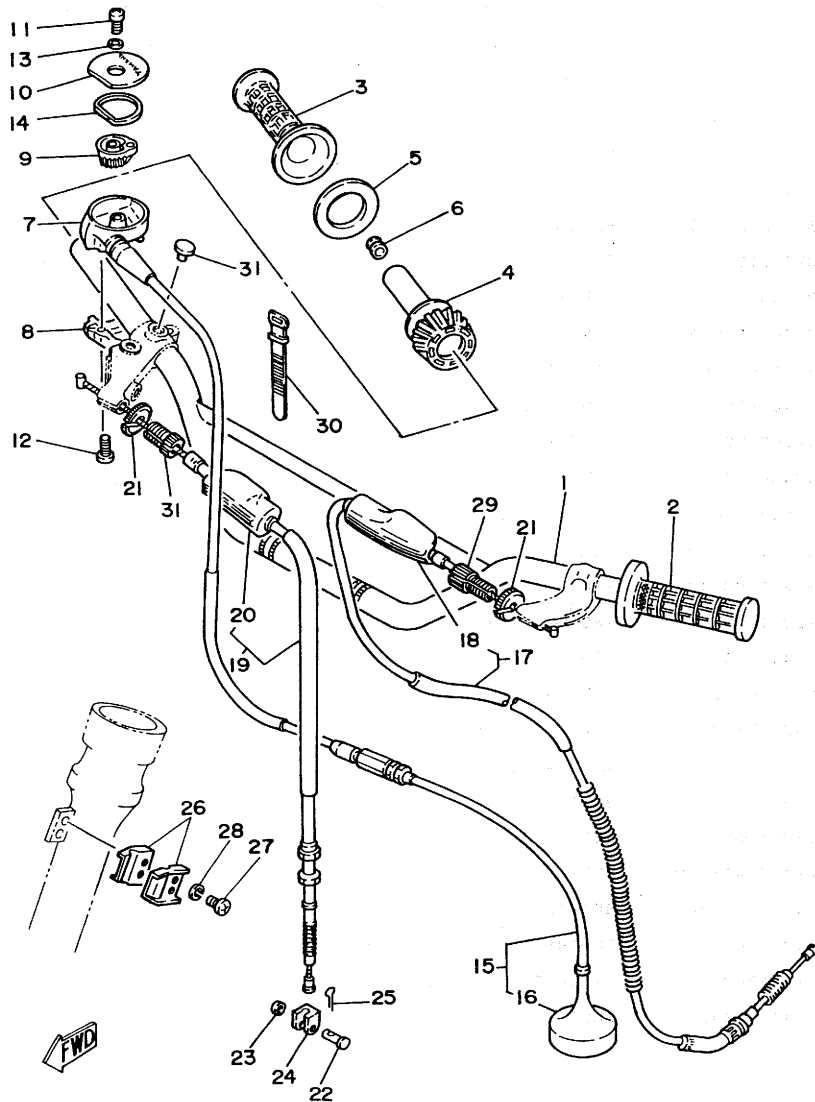
REF. NO.	PART NO.	DESCRIPTION	Q'TY	REMARKS
27	90185-08089	NUT, self-locking	6	
28	90201-081A6	WASHER, Plate	6	
29	4V4-25367-00	COVER, hub dust	1	
30	90387-201E6	COLLAR	1	
31	4V5-25389-00	PULLER, chain 2	1	
32	4V5-25388-00	PULLER, chain 1	1	
33	91701-05055	PIN, clevis	2	
34	91401-16012	PIN, cotter	2	
35	4V5-25381-00	AXLE, wheel	1	
36	92901-18100	WASHER, spring	1	
37	92901-20600	WASHER	1	
38	90179-18332	NUT	1	
39	94580-40108	CHAIN, drive (DID520V 108L)	1	
40	94680-40011	JOINT, chain	1	

FIG. 25 HANDLEBAR-CABLE



REF. NO.	PART NO.	DESCRIPTION	Q'TY	REMARKS
1	3R4-26111-00	HANDLEBAR	1	
2	4V4-26241-00	GRIP (L.H)	1	
3	4V4-26242-00	GRIP (R.H)	1	
4	4V6-26243-00	TUBE, throttle Guide	1	
5	4V4-26249-00	RING, leaf	1	
6	688-82535-00	GROMMET	1	
7	4V4-26281-00	CAP, grip upper	1	
8	4V4-26282-00	CAP, grip lower	1	
9	4V6-2628E-00	GEAR, bevel	1	
10	4V4-2628F-00	CAP, gear	1	
11	98906-05010	SCREW, bind	1	
12	98501-05016	SCREW, Pan head	2	
13	90430-05009	GASKET	1	
14	4V4-2628G-00	PACKING	1	
15	4V4-26311-00	CABLE, throttle 1	1	
16	510-26329-00	•CAP, rubber	1	
17	4V4-26335-00	CABLE, clutch	1	
18	382-26372-01	•COVER, handle lever 1	1	
19	5L4-26341-00	CABLE, brake	1	
20	498-26372-00	•COVER, handle lever 1	1	
21	90179-08148	NUT	2	
22	90240-08012	PIN, clevis	1	
23	90201-08083	WASHER, Plate	1	
24	156-26347-00	JOINT, cable	1	
25	91401-20015	PIN, cotter	1	
26	90465-14192	CLAMP	2	
27	92501-06015	SCREW, Pan head	2	
28	92901-06100	WASHER, sPring	2	

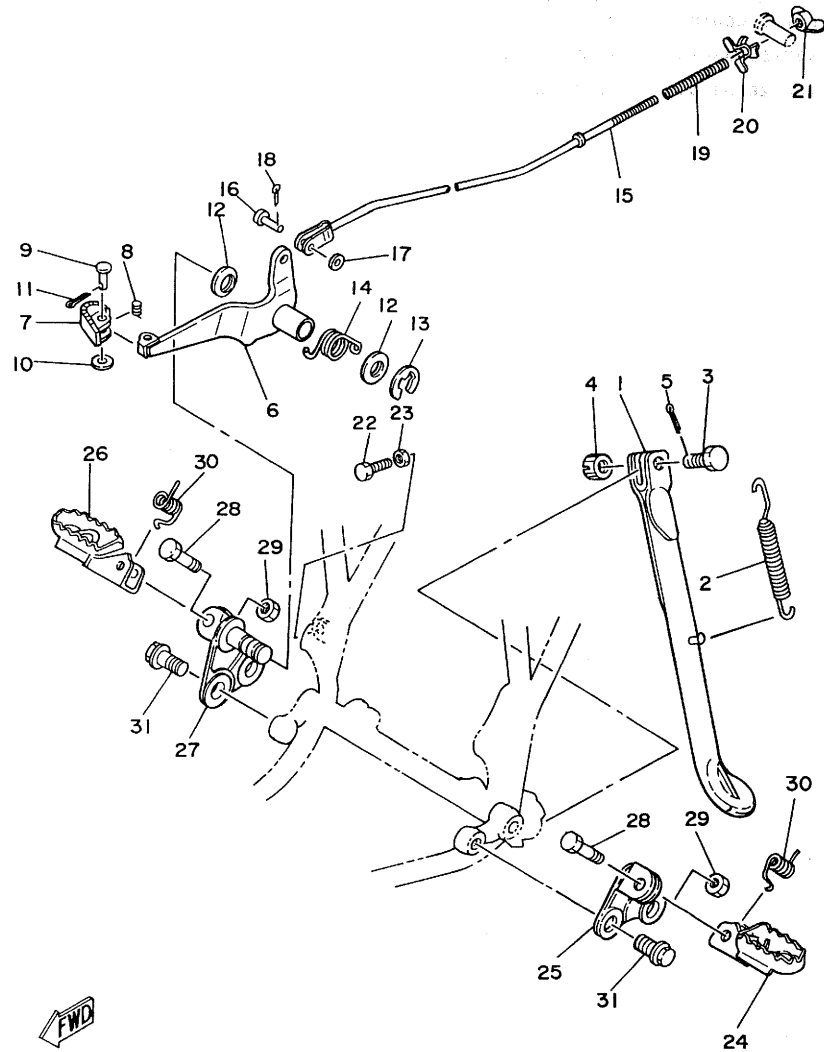
FIG. 25 HANDLEBAR CABLE



REF. NO.	PART NO.	DESCRIPTION	Q'TY	REMARKS
29	90123-08046	BOLT	2	
30	437-83936-10	BAND, switch cord	1	
31	4J0-26199-00	PLUG, blind	1	

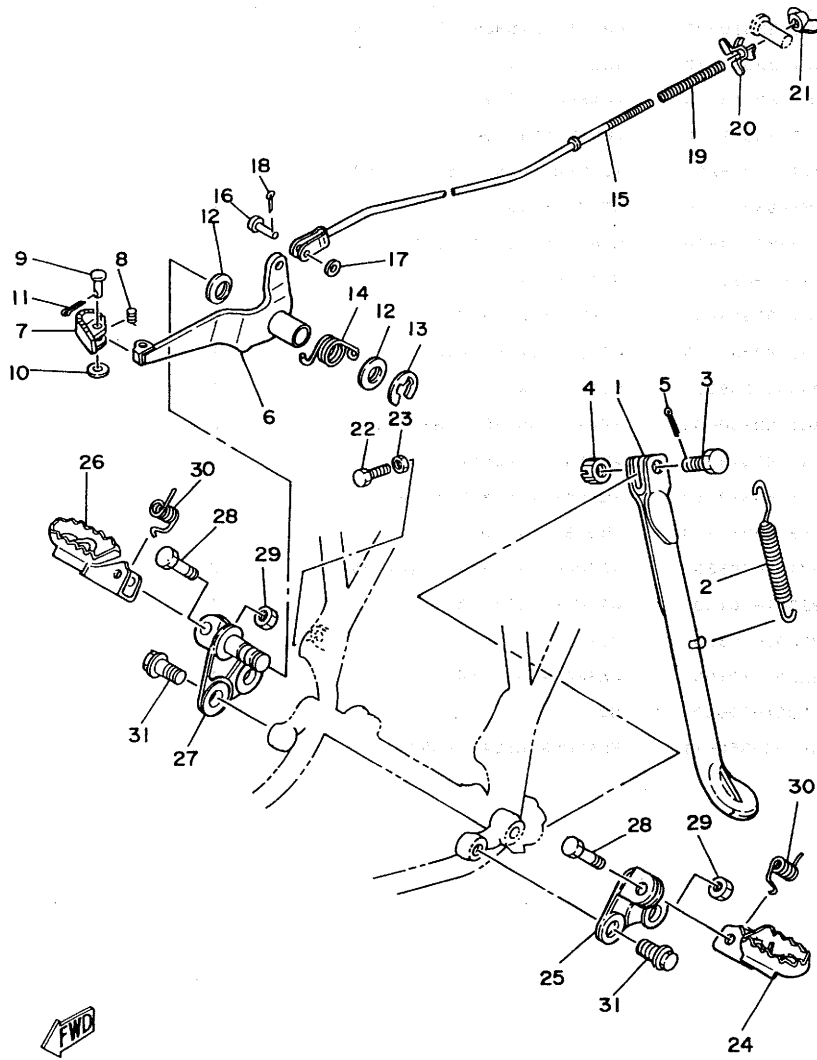
D10

FIG. 26 STAND•FOOTREST



REF. NO.	PART NO.	DESCRIPTION	Q'TY	REMARKS
1	4V5-27311-01-33	STAND, side	1	yamaha black
2	90507-29008	SPRING, tension	1	
3	90102-10006	BOLT, with hole	1	
4	95302-10900	NUT, slotted	1	
5	91401-20025	PIN, cotter	1	
6	5L4-27211-00	PEDAL, brake	1	
7	3R8-27242-00	PEDAL, brake	1	
8	90508-14429	SPRING, torsion	1	
9	91701-06028	PIN, clevis	1	
10	92901-06600	WASHER, Plate	1	
11	91401-20015	PIN, cotter	1	
12	4V5-27286-00	COVER, dust	2	
13	93430-10015	CIRCLIP	1	
14	90508-32478	SPRING, torsion	1	
15	4V6-27231-00	ROD, brake	1	
16	90240-06040	PIN, clevis	1	
17	92901-06200	WASHER, Plain	1	
18	91401-20015	PIN, cotter	1	
19	90501-10245	SPRING, compression	1	
20	1W2-27239-00	SEAT, spring	1	
21	90175-06013	NUT, wing	1	
22	97301-06020	BOLT	1	
23	95301-06700	NUT	1	
24	4V4-27411-00	FOOTREST 1	1	
25	4V5-27412-00	BRACKET, footrest 1	1	
26	4V4-27421-00	FOOTREST 2	1	
27	4V5-27422-00	BRACKET, footrest 2	1	
28	90101-08428	BOLT	2	

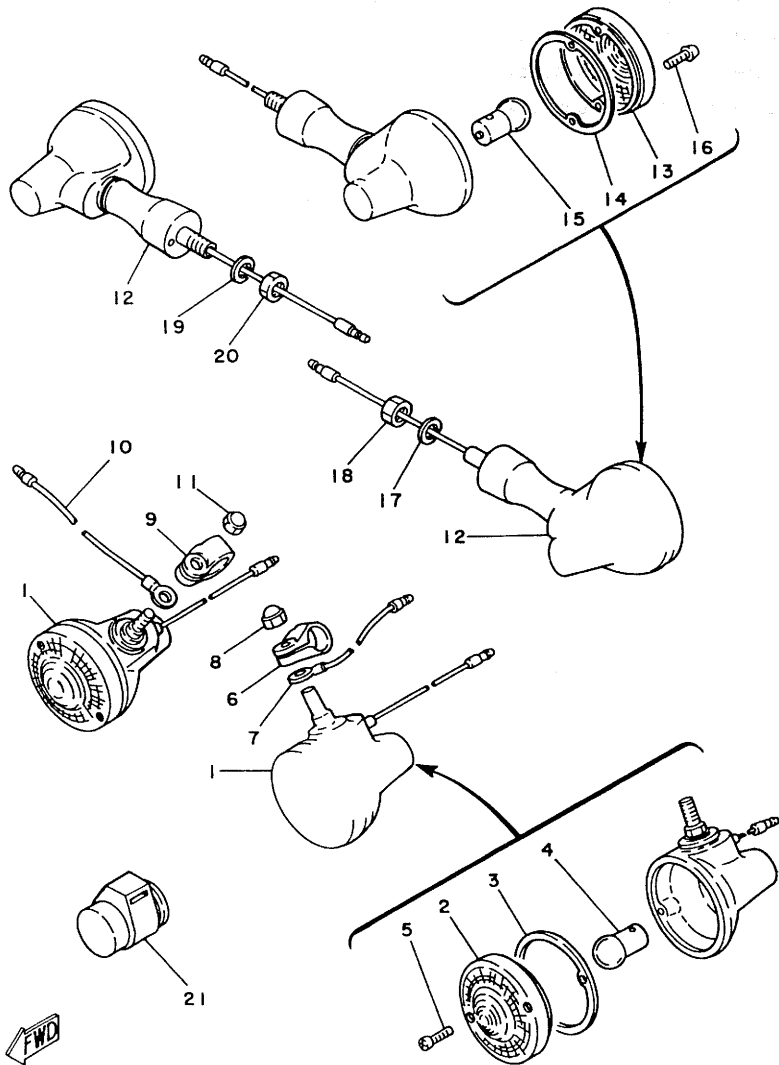
FIG. 26 STAND•FOOTREST



REF. NO.	PART NO.	DESCRIPTION	Q'TY	REMARKS
29	95601-08100	NUT, u	2	
30	90508-20023	SPRING, torsion	2	
31	90105-12096	BOLT, washer based	4	

**D12**

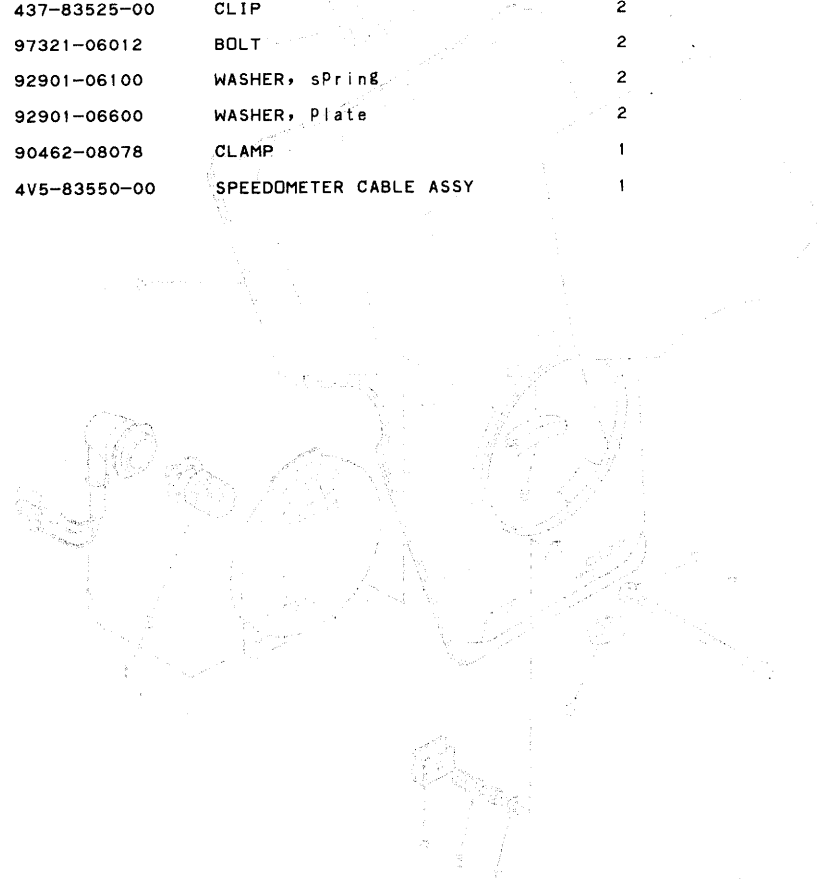
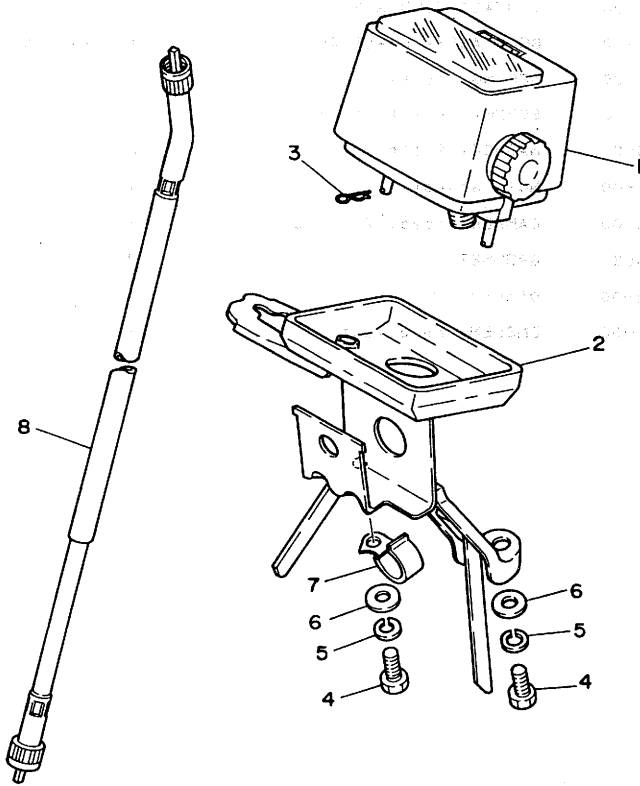
FIG. 27 FLASHER LIGHT



REF. NO.	PART NO.	DESCRIPTION	Q'TY	REMARKS
1	3W1-83310-00	FRONT FLASHER LIGHT ASSY 1	2	
2	341-83312-70	•LENS, flasher	1	
3	1M1-83313-60	•GASKET, flasher lens	1	
4	152-83311-10	•BULB (6V-10W)	1	
5	97701-30520	•SCREW, Panhead tapping	2	
6	1M1-83318-00	STAY, flasher 1	1	
7	1J7-83354-00	WIRE, earth lead 1	1	
8	95303-08800	NUT, crown	1	
9	1M1-83318-00	STAY, flasher 1	1	
10	1J7-83354-00	WIRE, earth lead 1	1	
11	95303-08800	NUT, crown	1	
12	3W1-83330-00	REAR FLASHER LIGHT ASSY 1	2	
13	341-83312-70	•LENS, flasher	1	
14	1M1-83313-60	•GASKET, flasher lens	1	
15	152-83311-10	•BULB (6V-10W)	1	
16	97701-30520	•SCREW, Panhead tapping	2	
17	92901-10100	WASHER, sPring	1	
18	95301-10600	NUT	1	
19	92901-10100	WASHER, sPring	1	
20	95301-10600	NUT	1	
21	3E1-83350-11	FLASHER RELAY ASSY	1	

FIG. 28 METER

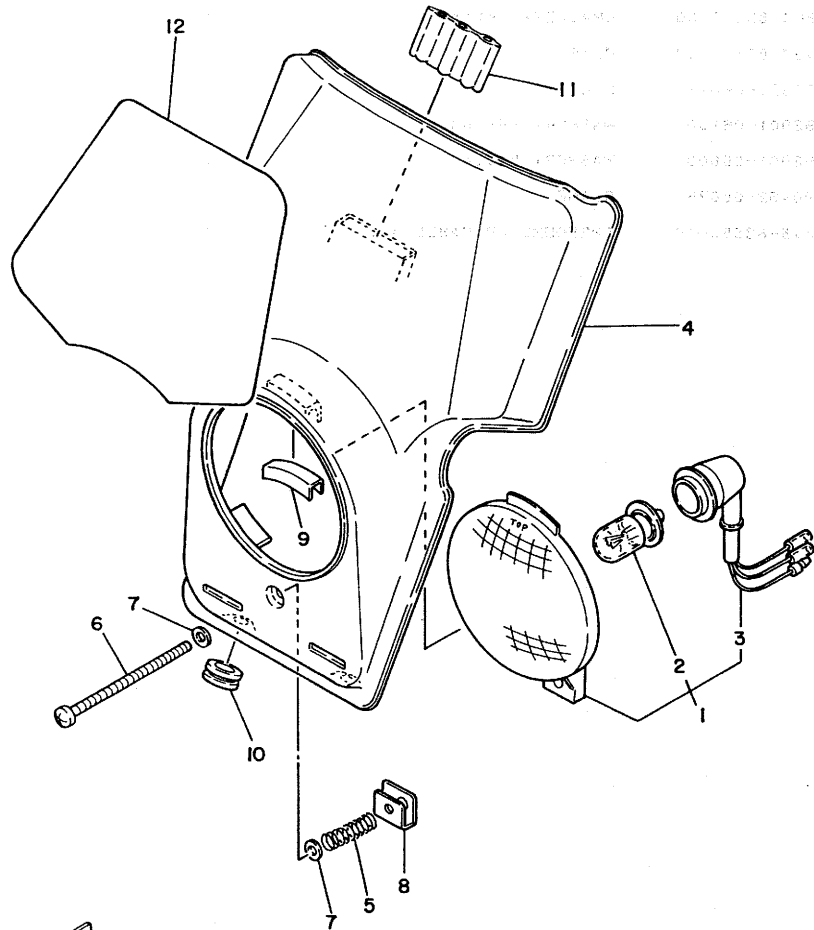
REF. NO.	PART NO.	DESCRIPTION	Q'TY	REMARKS
1	3R8-83570-F0	SPEEDOMETER ASSY	1	UR km/h
	3R8-83570-60	SPEEDOMETER ASSY	1	UR mile/h
2	5L4-83519-00	BRACKET, meter	1	
3	437-83525-00	CLIP	2	
4	97321-06012	BOLT	2	
5	92901-06100	WASHER, sPring	2	
6	92901-06600	WASHER, Plate	2	
7	90462-08078	CLAMP	1	
8	4V5-83550-00	SPEEDOMETER CABLE ASSY	1	



FWD

D14

FIG. 29 HEADLIGHT



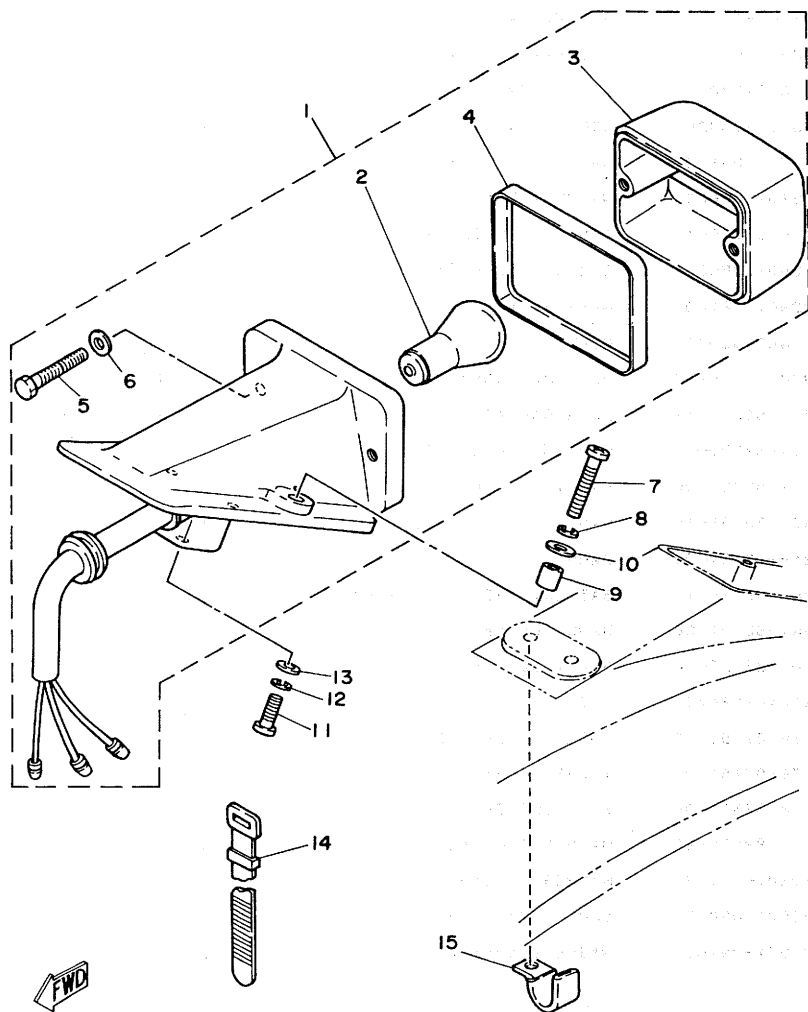
REF. NO.	PART NO.	DESCRIPTION	Q'TY	REMARKS
1	4V5-84110-00	HEADLIGHT UNIT ASSY	1	
2	4G2-84114-00	•BULB, headlight	1	
3	4V5-84140-00	•SOCKET CORD ASSY	1	
4	4V5-84130-10	BODY ASSY, headlight	1	sky blue
5	4V5-84132-00	SPRING, screw	1	
6	849-84724-00	SCREW, lens fitting	1	
7	92901-04600	WASHER, Plate	2	
8	4V5-84134-00	NUT, adjust	1	
9	4V5-84143-00	DAMPER, headlight stay	1	
10	90480-12053	GROMMET	2	
11	4V5-83592-00	DAMPER	1	
12	4V5-84141-00	EMBLEM, headlight	1	

D15



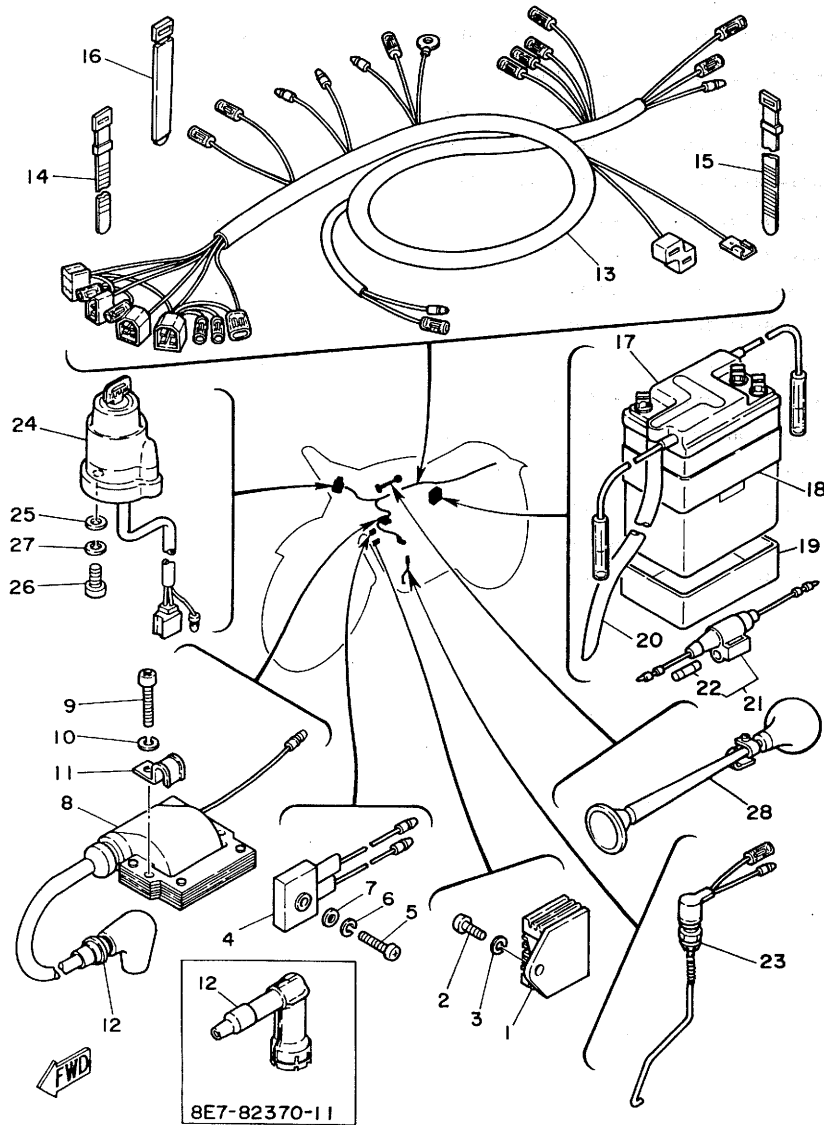
FIG. 30 TAILLIGHT

REF. NO.	PART NO.	DESCRIPTION	Q'TY	REMARKS
1	5L4-84500-00	TAILLIGHT ASSY	1	
2	122-84514-00	•BULB (6V-10/3W)	1	
3	434-84521-69	•LENS, taillight	1	
4	434-84515-61	•RIM, taillight	1	
5	434-84552-62	•BOLT, fitting	2	
6	434-84522-62	•WASHER	2	
7	98506-04025	SCREW, Pan head	2	
8	92906-04100	WASHER, sPring	2	
9	90387-04007	COLLAR	2	
10	434-84522-62	WASHER	2	
11	92501-06012	SCREW, Pan head	1	
12	92901-06100	WASHER, sPring	1	
13	92901-06200	WASHER, Plain	1	
14	437-83936-00	BAND, switch cord	2	
15	90462-05005	CLAMP	1	



E2

FIG. 31 ELECTRICAL 1

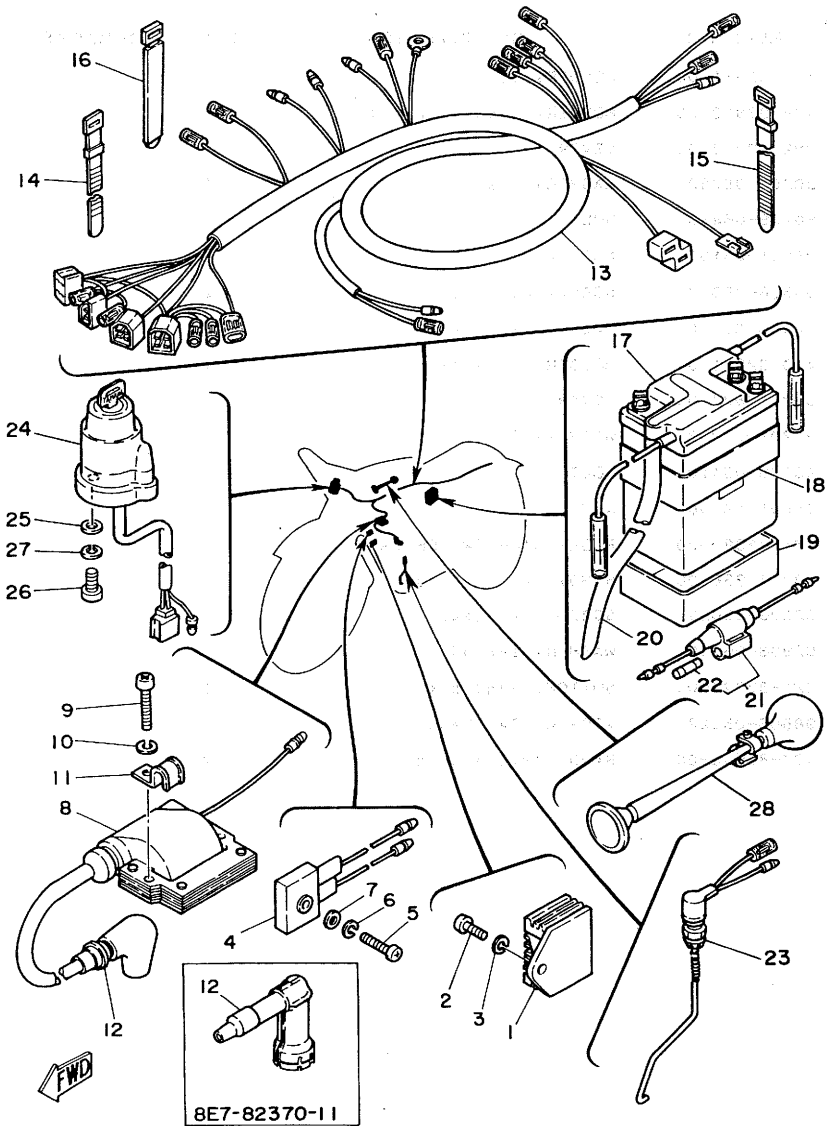


REF. NO.	PART NO.	DESCRIPTION	Q'TY	REMARKS
1	4F4-81910-60	VOLTAGE REGULATOR ASSY	1	
2	92501-06015	SCREW, Pan head	1	
3	92901-06100	WASHER, sPring	1	
4	482-81970-61	RECTIFIER ASSY	1	
5	98501-05020	SCREW, Pan head	1	
6	92901-05100	WASHER, sPring	1	
7	92901-05600	WASHER, Plate	1	
8	4V5-82310-40	IGNITION COIL ASSY	1	
9	92501-06025	SCREW, Pan head	2	
10	92901-06100	WASHER, sPring	2	
11	90462-05005	CLAMP	1	
12	3R0-82370-20	PLUG CAP ASSY	1	UR
	8E7-82370-11	PLUG CAP ASSY	1	UR with noise suPPressor
13	5L4-82590-00	WIRE HARNESS ASSY	1	
14	437-83936-00	BAND, switch cord	5	
15	437-83936-10	BAND, switch cord	1	
16	2N6-26397-00	BAND	1	
17	2E9-82110-11	BATTERY ASSY (6N2-2A-7)	1	
18	3W1-82131-00	BAND, battery	1	
19	3W1-82122-00	SEAT, battery	1	
20	90445-08048	HOSE	1	
21	1E6-82150-00	FUSE HOLDER ASSY	1	
22	1E6-82151-00	•FUSE (6V-10A)	2	
23	5L4-82530-00	STOP SWITCH ASSY	1	
24	5L4-82508-20	MAIN SWITCH ASSY	1	
25	90201-05033	WASHER, Plate	2	
26	98501-05025	SCREW, Pan head	2	
27	92901-05100	WASHER, sPring	2	

E3

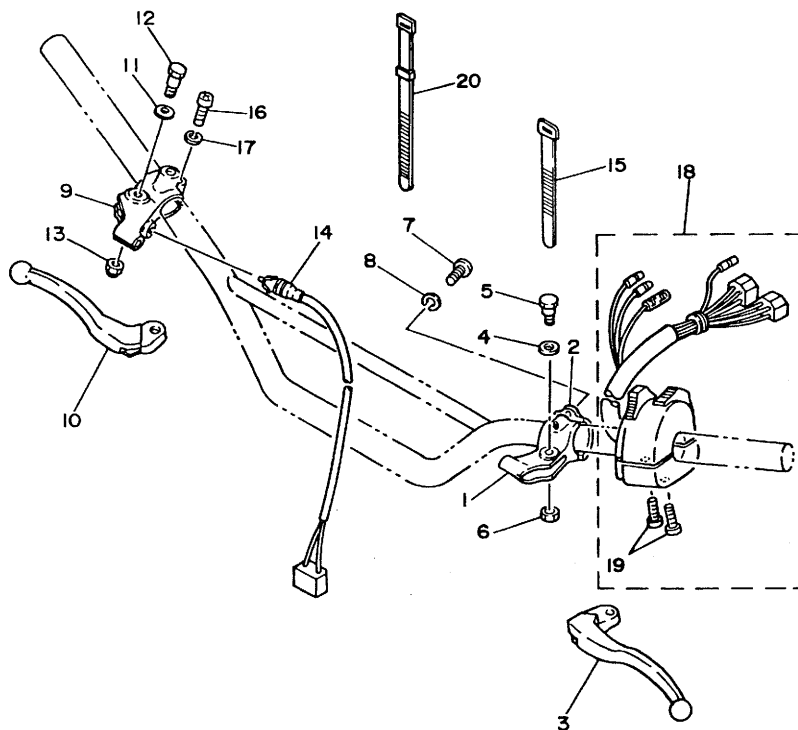
FIG. 31 ELECTRICAL 1

REF. NO.	PART NO.	DESCRIPTION	Q'TY	REMARKS
28	8F4-83371-00	HORN	1	



**E4**

FIG. 32 HANDLE SWITCH•LEVER



REF. NO.	PART NO.	DESCRIPTION	Q'TY	REMARKS
1	4V4-82911-00	HOLDER, lever 1	1	
2	4V4-82913-00	HOLDER, lever lower 1	1	
3	3M2-83912-00	LEVER 1	1	
4	90201-08083	WASHER, Plate	1	
5	90109-06410	BOLT	1	
6	95601-06100	NUT, u	1	
7	98506-05020	SCREW, Pan head	2	
8	92906-05100	WASHER, sPring	2	
9	4J0-82921-30	HOLDER, lever 2	1	
10	3M2-83922-00	LEVER 2	1	
11	90201-08083	WASHER, Plate	1	
12	90109-06410	BOLT	1	
13	95601-06100	NUT, u	1	
14	1M1-83980-30	FRONT STOP SWITCH ASSY	1	
15	437-83936-00	BAND, switch cord	2	
16	92506-06025	SCREW, Pan head	1	
17	92906-06100	WASHER, sPring	1	
18	3W1-83972-00	SWITCH, handle 4	1	
19	98506-05022	•SCREW, Pan head	2	
20	437-83936-00	BAND, switch cord	2	

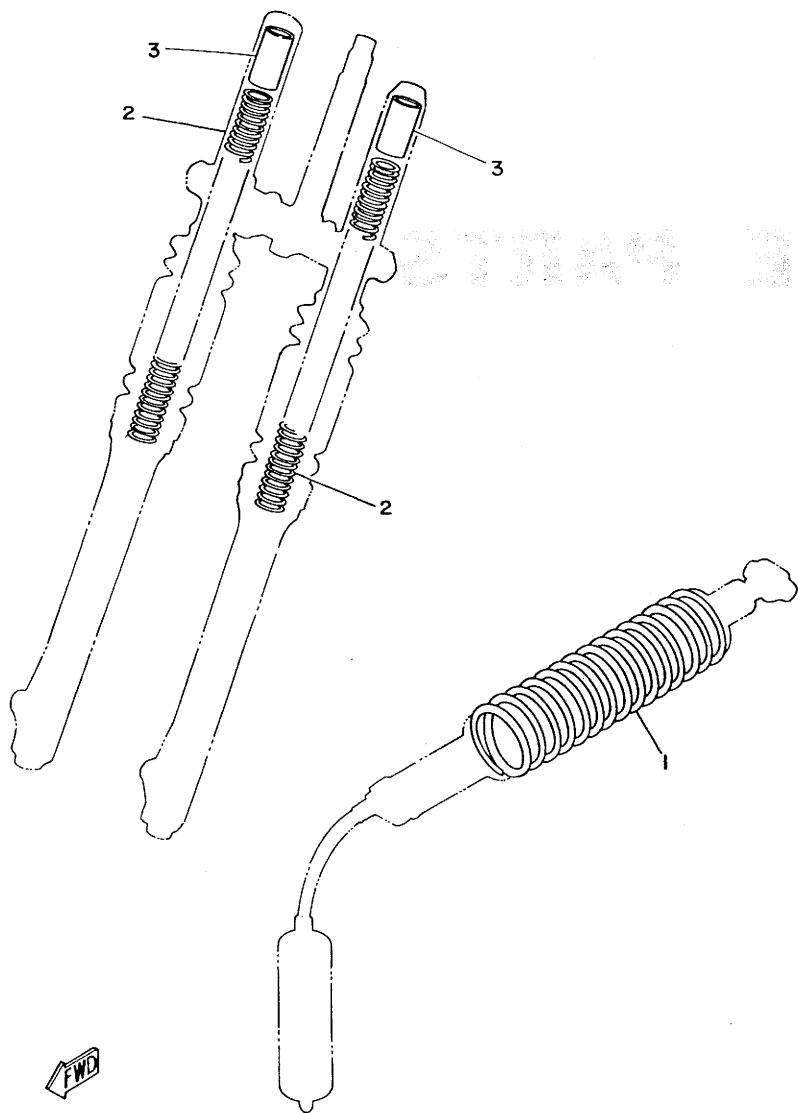
FWD

E5

# ALTERNATE PARTS



FIG. 33 ALTERNATE (CHASSIS)



REF. NO.	PART NO.	DESCRIPTION	Q'TY	REMARKS
1	4V5-22212-10	SPRING	1	UR soft (yellow/purple)
	4V5-22212-20	SPRING	1	UR hard (yellow/white)
2	4V5-23141-11	SPRING, front fork (K1=0.277, K2=0.314)	2	UR soft (use spacer 4V5-23118-10 with set)
	4V5-23141-21	SPRING, front fork (K1=0.339, K2=0.385)	2	UR hard (Use spacer 4V5-23118-10 with set)
3	4V5-23118-10	SPACER (L=80)	2	

**E6**

# REPAIR KIT



FIG. 34 REPAIR KIT

REF. NO.	PART NO.	DESCRIPTION	Q'TY	REMARKS
1	4V6-11630-00	PISTON ASSY (STD)	1	
2	4V6-11631-00-94	•PISTON (STD)	1	UR
	4V6-11631-00-96	•PISTON (STD)	1	UR
3	4V6-11610-00	•PISTON RING SET (STD)	1	
4	275-11633-00	•PIN, Piston	1	
5	93450-19052	•CIRCLIP	2	
6	4V6-11630-10	PISTON ASSY (1ST O/S)	1	
7	4V6-11635-00	•PISTON (1ST O/S 0.25MM)	1	
8	4V6-11610-10	•PISTON RING SET (1ST O/S)	1	
9	275-11633-00	•PIN, Piston	1	
10	93450-19052	•CIRCLIP	2	
11	4V6-11630-20	PISTON ASSY (2ND O/S)	1	
12	4V6-11636-00	•PISTON (2ND O/S 0.50MM)	1	
13	4V6-11610-20	•PISTON RING SET (2ND O/S)	1	
14	275-11633-00	•PIN, Piston	1	
15	93450-19052	•CIRCLIP	2	
16	4V6-11630-30	PISTON ASSY (3RD O/S)	1	
17	4V6-11637-00	•PISTON (3RD O/S 0.75MM)	1	
18	4V6-11610-30	•PISTON RING SET (3RD O/S)	1	
19	275-11633-00	•PIN, Piston	1	
20	93450-19052	•CIRCLIP	2	
21	4V6-11630-40	PISTON ASSY (4TH O/S)	1	
22	4V6-11638-00	•PISTON (4TH O/S 1.00MM)	1	
23	4V6-11610-40	•PISTON RING SET (4TH O/S)	1	
24	275-11633-00	•PIN, Piston	1	
25	93450-19052	•CIRCLIP	2	
26	3R5-11650-00	CONNECTING ROD ASSY	1	
27	3R5-11651-00	•ROD, connecting	1	

E7



FIG. 34 REPAIR KIT

REF. NO.	PART NO.	DESCRIPTION	Q'TY	REMARKS
28	3R5-11681-00	•PIN, crank 1	1	
29	90209-25085	•WASHER	2	
30	93310-42541	•BEARING, cylindrical	1	
31	93310-418E9	•BEARING, cylindrical	1	
32	4V6-W0001-01	GASKET KIT	1	
33	4V6-11181-00	•GASKET, cylinder head 1	1	
34	3R5-11351-00	•GASKET, cylinder	1	
35	2K7-13621-00	•GASKET, valve seat	1	
36	363-14184-00	•GASKET, float chamber	1	
37	3R4-14613-00	•GASKET, exhaust Pipe	1	
38	4V4-15451-00	•GASKET, crankcase cover	1	
39	3R4-15462-00	•GASKET, crankcase cover 3	1	
40	93210-14104	•O-RING	1	
41	90430-06016	•GASKET	1	
42	90430-12038	•GASKET	1	
43	93210-29282	•O-RING	1	



# INDEX







NUMERICAL INDEX

PART NO.	REF. NO.	PART NO.	REF. NO.	PART NO.	REF. NO.
97301-08016	17-19				
97301-08035	17-27				
97301-08055	14-20				
97302-06020	15- 3				
97306-06016	15- 7				
97321-06012	28- 4				
97321-06020	13- 9				
97321-08025	14- 5				
97602-03108	5-14				
97701-30520	27- 5				
	27-16				
98501-03008	4- 4				
98501-04005	18- 4				
98501-04014	3-15				
98501-04030	3-13				
98501-04035	3-11				
98501-05010	17-31				
98501-05016	5-11				
	25-12				
98501-05018	19-21				
98501-05020	31- 5				
98501-05025	31-26				
98506-04025	30- 7				
98506-05020	32- 7				
98506-05022	32-19				
98701-05016	12- 6				
98902-06018	21-10				
98906-05010	25-11				
*	1- 3				

## PARTS NAME INDEX

DESCRIPTION	REF. NO.
*	1- 3
ABSORBER 1	1-14
ABSORBER 3	1-13
AIR CLEANER CASE COMP.	4-18
AIR VALVE COMP.	20-21
*	20-49
ARM, tensioner	17-16
AXLE, drive	11-12
AXLE, main (12T)	11- 1
AXLE, wheel	23-31
*	24-35
BALL	9-13
*	10-19
BAND	4-27
*	20-18
*	20-19
*	20-46
*	20-47
*	31-16
BAND, battery	4-10
*	31-18
BAND, rim (3.00-21)	23-28
BAND, rim (3.25-17)	24-23
BAND, switch cord	25-30
*	30-14
*	31-14
*	31-15
*	32-15
*	32-20
BAND, tank fitting 1	21-11
BAND, tool	3-24
BAR, shift fork guide 1	12-14
BAR, shift fork guide 2	12-15
BASE, magneto	3- 3
BATTERY ASSY (6N2-2A-7)	31-17
BEARING	11- 2
*	11-24
*	12- 4
*	17- 4
*	19-16
*	19-17
*	24- 4
BEARING (B6004Z)	24- 5
BEARING (B6201)	12-16
BEARING (B6202)	23- 5
BEARING (B6202RS)	23- 4
BEARING (B6306)	2-13
*	2-16

## PARTS NAME INDEX

DESCRIPTION	REF. NO.
BEARING, cylindrical	2- 5
*	2-11
*	10-25
*	11-11
*	11-23
*	17- 5
*	34-30
*	34-31
BODY ASSY, headlight	29- 4
BODY, caP	21-25
BOLT	1-16
*	4-15
*	4-29
*	6- 7
*	6-22
*	6-24
*	6-27
*	7- 2
*	7- 3
*	7- 4
*	7- 5
*	8-12
*	13- 9
*	14- 5
*	14-20
*	15- 3
*	15- 7
*	15-11
*	16-16
*	17- 2
*	17-19
*	17-25
*	17-27
*	17-41
*	18-25
*	20-62
*	21- 4
*	22- 5
*	22- 7
*	23-13
*	24-13
*	25-29
*	26-22
*	26-28
*	28- 4
*	32- 5
*	32-12
BOLT, caP	20-20

## PARTS NAME INDEX

DESCRIPTION	REF. NO.
BOLT, caP	20-48
BOLT, fitting	30- 5
BOLT, flange	14- 3
*	14- 8
*	14- 9
*	14-12
*	19-10
*	19-11
*	19-15
BOLT, hexagon socket head	20-25
*	20-54
*	24-26
BOLT, stopper	12- 9
BOLT, stud	1- 4
*	1- 8
*	1- 9
BOLT, washer based	19-13
*	26-31
BOLT, with hole	26- 3
BOLT, with washer	21- 9
BOOT	20-17
*	20-45
BOSS, clutch	10- 8
BOSS, kick crank	9-12
BOX COMP.	16-13
BRACKET, carrier 2	22-11
BRACKET, footrest 1	26-25
BRACKET, footrest 2	26-27
BRACKET, front upper 1	14- 2
BRACKET, meter	28- 2
BRACKET, rear upper 1	14- 4
BRACKET, seat	22- 3
*	22- 4
BRAKE SHOE COMP.	23- 7
*	24- 8
BULB (6V-10/3W)	30- 2
BULB (6V-10W)	27- 4
*	27-15
BULB, headlight	29- 2
BUMPER, stop	18- 9
BUSH	5-37
*	14-17
*	17- 8
BUSH, rear shock absorber	18- 3
BUSH, shock absorber lower	18-12
BUSH, solid	17-11
*	18-13
C.D.I. MAGNETO ASSY	3- 1



## PARTS NAME INDEX

DESCRIPTION	REF. NO.
C.D.I. UNIT ASSY	3-23
CABLE, brake	25-19
CABLE, clutch	25-17
CABLE, throttle 1	25-15
CAMSHAFT	23- 9
*	24-10
CAP, case	18- 8
CAP, cleaner case 1	4-25
CAP, gear	25-10
CAP, grip lower	25- 8
CAP, grip upper	25- 7
CAP, Plunger	5-36
CAP, rubber	25-16
CARBURETOR ASSY 1	5- 1
CARRIER BOX ASSY	22-10
CASE, chain	17-34
CHAIN, drive (DID520V 108L)	24-39
CHAMBER, air	4- 8
CIRCLIP	2- 4
*	9- 9
*	9-16
*	11- 5
*	11-15
*	11-22
*	18-23
*	26-13
*	34- 5
*	34-10
*	34-15
*	34-20
*	34-25
CLAMP	3-10
*	16-20
*	25-26
*	28- 7
*	30-15
*	31-11
CLAMP, hose	4-14
*	4-17
*	6-11
CLIP	4-13
*	4-20
*	5-20
*	5-32
*	5-38
*	9- 3
*	21-24
*	28- 3

## PARTS NAME INDEX

DESCRIPTION	REF. NO.
CLUTCH ASSY	10- 6
COIL, lighting 1	3- 6
COIL, Pulser	3- 7
COIL, source	3- 4
*	3- 5
COLLAR	6-20
*	7- 8
*	7-13
*	11-26
*	16-15
*	21- 7
*	24-30
*	30- 9
CONNECTING ROD ASSY	34-26
CONNECTOR	5-26
CONNECTOR, suction Pipe	7-10
COVER	14-23
*	18-16
COVER, ball race 2	19-18
COVER, crankcase 1	8- 1
COVER, crankcase 2	8- 4
COVER, crankcase 3	8-10
COVER, dust	26-12
COVER, dust seal	20- 8
*	20-36
COVER, handle lever 1	25-18
*	25-20
COVER, hub dust	24-29
COVER, kick lever	9-17
COVER, Plunger cap	5-39
COVER, semi-double seat	22- 2
COVER, shift Pedal	13- 6
COVER, side 1	16- 1
COVER, side 2	16- 7
COVER, thrust 1	18-32
COVER, thrust 2	17- 7
CRANK 1	2- 7
CRANK 2	2- 8
CRANKCASE 1	7- 1
CRANKCASE 2	7- 9
CRANKSHAFT ASSY	2- 6
CROWN, handle	19- 1
CUP, filter	21-17
CYLINDER COMP., front fork	20-12
*	20-40
CYLINDER 1	1- 6
DAMPER	29-11
DAMPER, headlight stay	29- 9

## PARTS NAME INDEX

DESCRIPTION	REF. NO.
DAMPER, locating 1	14-27
*	16- 6
*	21-29
DAMPER, locating 2	21- 2
DAMPER, locating 3	21-28
DAMPER, muffler	6-19
DAMPER, seat	22- 6
DAMPER, sub tank	18-34
DUMPER SUB ASSY	18- 2
ELEMENT, air cleaner	4-21
EMBLEM	4- 9
*	16-12
EMBLEM, headlight	29-12
END, rod 1	23-17
END, rod 2	23-18
EXHAUST PIPE ASSY 1	6- 1
FENDER, front	15- 1
FLANGE, spacer	24- 3
FLANGE, spacer 2	23- 3
FLAP	15-14
FLASHER RELAY ASSY	27-21
FLOAT	5- 6
FOOTREST 1	26-24
FOOTREST 2	26-26
FORK, shift 1	12-10
FORK, shift 2	12-11
FORK, shift 3	12-12
FRAME COMP	14- 1
FRONT FLASHER LIGHT ASSY 1	27- 1
FRONT FORK ASSY (L.H)	20- 1
FRONT FORK ASSY (R.H)	20-29
FRONT STOP SWITCH ASSY	32-14
FUEL COCK ASSY 1	21-12
FUEL TANK COMP.	21- 1
FUSE (6V-10A)	31-22
FUSE HOLDER ASSY	31-21
GASKET	7-22
*	8-16
*	20-11
*	20-23
*	20-39
*	20-52
*	21-18
*	25-13
*	34-41
*	34-42
GASKET KIT	34-32
GASKET, cap	21-26

## PARTS NAME INDEX

DESCRIPTION	REF. NO.
GASKET, crankcase cover	8- 2
*	34-38
GASKET, crankcase cover 3	8-11
*	34-39
GASKET, cylinder	1- 7
*	34-34
GASKET, cylinder head 1	1- 2
*	34-33
GASKET, drain Plug	20-24
*	20-53
GASKET, exhaust Pipe	6- 3
*	34-37
GASKET, flasher lens	27- 3
*	27-14
GASKET, float chamber	5- 2
*	34-36
GASKET, muffler	6-10
GASKET, valve seat	4- 6
*	34-35
GEAR UNIT ASSY	23-30
GEAR, bevel	25- 9
GEAR, kick (26T)	9- 2
GEAR, Primary drive (24T)	10- 1
GEAR, sProcket idle (21T)	9- 7
GEAR, 1st wheel (32T)	11-20
GEAR, 2nd Pinion (16T)	11- 9
GEAR, 2nd wheel (28T)	11-13
GEAR, 3rd Pinion (19T)	11- 6
GEAR, 3rd wheel (25T)	11-18
GEAR, 4th Pinion (22T)	11- 3
GEAR, 4th wheel (22T)	11-19
GEAR, 5th Pinion (28T)	11- 8
GEAR, 5th wheel (22T)	11-16
GRAPHIC SET	21-30
GRIP (L.H)	25- 2
GRIP (R.H)	25- 3
GROMMET	4-28
*	16-11
*	16-14
*	16-19
*	18-33
*	25- 6
*	29-10
GUARD, chain	17-17
GUARD, engine 1	14-24
GUARD, engine 2	14-25
GUARD, mud	15-10
GUIDE	4-22

## PARTS NAME INDEX

DESCRIPTION	REF. NO.
GUIDE, cable	5-19
*	19- 2
*	20-61
*	20-66
GUIDE, sPring	9- 6
GUIDE, sPring 1	18-20
GUIDE, sPring 2	18-21
HANDLEBAR	25- 1
HEAD, cylinder 1	1- 1
HEADLIGHT UNIT ASSY	29- 1
HOLDER	7-16
HOLDER 1	1-15
HOLDER, axle	20-50
HOLDER, cable 1	19-20
HOLDER, damPer	19- 4
*	21- 3
HOLDER, guide	4-23
HOLDER, handle lower	19- 3
HOLDER, handle uPPer	19-14
HOLDER, lever lower 1	32- 2
HOLDER, lever 1	32- 1
HOLDER, lever 2	32- 9
HOLDER, nut	14-11
HOLDER, sPring	14-28
HOLDER, sub tank	18-35
HOOK, sPring	1-12
HORN	31-28
HOSE	4-11
*	7-20
*	13- 7
*	21-23
*	21-27
*	31-20
HOUSING, seal ring	18- 7
HUB, front	23- 1
HUB, rear	24- 1
IGNITION COIL ASSY	31- 8
INNER TUBE COMP.1	20- 9
*	20-37
JET, main (#380)	5- 5
JET, main (#390)	5- 5
JET, main (#400)	5- 5
JET, Pilot (#40.0)	5- 3
JOINT, cable	25-24
JOINT, carburetor	4- 7
JOINT, chain	24-40
KEY, straight	10- 2
*	12- 5

## PARTS NAME INDEX

DESCRIPTION	REF. NO.
KEY, woodruff	2-15
KICK AXLE ASSY	9- 1
KICK CRANK ASSY	9-11
LEAD WIRE ASSY	3- 9
LENS, flasher	27- 2
*	27-13
LENS, taillight	30- 3
LEVER 1	32- 3
LEVER 2	32-10
LEVER, camshaft	24-12
LEVER, camshaft 1	23-10
LEVER, camshaft 2	23-11
LEVER, cock	21-13
LEVER, starter 1	5-41
MAIN SWITCH ASSY	31-24
METAL, slide 1	20- 3
*	20-31
NEEDLE	5-31
NEEDLE VALVE ASSY	5- 7
NET, filter 2	21-20
NOZZLE, main	5- 4
NUT	1- 5
*	3-20
*	9-18
*	10- 4
*	10-17
*	10-23
*	11-29
*	17- 3
*	17-14
*	18-18
*	18-26
*	19- 8
*	19-19
*	19-23
*	20-55
*	20-63
*	23-14
*	23-16
*	24-38
*	25-21
*	26-23
*	27-18
*	27-20
NUT, adjust	29- 8
NUT, adjusting	18-14
NUT, cable adjusting	5-18
*	5-24

## PARTS NAME INDEX

DESCRIPTION	REF. NO.
NUT, castle	23-33
NUT, crown	27- 8
*	27-11
NUT, flange	1-10
*	19-12
NUT, nylon	17-26
NUT, self-locking	14-14
*	24-27
NUT, slotted	26- 4
NUT, u	14-21
*	17-39
*	22-14
*	26-29
*	32- 6
*	32-13
NUT, wing	4-24
*	26-21
O-RING	5-17
*	5-30
*	8-14
*	10- 5
*	20-22
*	20-51
*	34-40
*	34-43
OIL SEAL	2-14
*	2-17
*	9-10
*	10-26
*	11-25
*	13-10
*	17- 9
*	17-10
*	20- 4
*	20-32
*	24- 6
PACKING	25-14
PEDAL, brake	26- 6
*	26- 7
PEDAL, shift	13- 2
*	13- 3
PIN	13- 5
PIN, clevis	18-29
*	23-19
*	24-15
*	24-33
*	25-22
*	26- 9

## PARTS NAME INDEX

DESCRIPTION	REF. NO.
PIN, clevis	26-16
PIN, cotter	18-28
*	18-31
*	19- 9
*	23-21
*	23-34
*	24-17
*	24-34
*	25-25
*	26- 5
*	26-11
*	26-18
PIN, crank 1	2- 9
*	34-28
PIN, dowel	1-11
*	7-12
*	12-13
*	13-11
*	18-15
PIN, float	5- 8
PIN, piston	2- 3
*	34- 4
*	34- 9
*	34-14
*	34-19
*	34-24
PIPE	5-10
*	5-13
PIPE, choke	6- 2
PIPE, outlet	6-13
PISTON (STD)	2- 1
*	2- 1
*	34- 2
*	34- 2
PISTON (1ST O/S 0.25MM)	2- 1
*	34- 7
PISTON (2ND O/S 0.50MM)	2- 1
*	34-12
PISTON (3RD O/S 0.75MM)	2- 1
*	34-17
PISTON (4TH O/S 1.00MM)	2- 1
*	34-22
PISTON ASSY (STD)	34- 1
PISTON ASSY (1ST O/S)	34- 6
PISTON ASSY (2ND O/S)	34-11
PISTON ASSY (3RD O/S)	34-16
PISTON ASSY (4TH O/S)	34-21
PISTON RING SET (STD)	2- 2

## PARTS NAME INDEX

DESCRIPTION	REF. NO.
PISTON RING SET (STD)	34- 3
PISTON RING SET (1ST O/S)	2- 2
*	34- 8
PISTON RING SET (2ND O/S)	2- 2
*	34-13
PISTON RING SET (3RD O/S)	2- 2
*	34-18
PISTON RING SET (4TH O/S)	2- 2
*	34-23
PLATE	4-16
*	5-27
*	7-18
*	8- 8
*	16-18
PLATE, bearing cover	7- 6
*	7-14
PLATE, brake shoe	23- 6
*	24- 7
PLATE, cleaner case fitting	4-31
PLATE, clutch 2	10-10
PLATE, friction	10-11
PLATE, indicator	23-23
*	24-18
PLATE, lever fitting	21-14
PLATE, Pressure 1	10- 9
PLATE, side 1	12- 3
PLATE, starter spring	5-40
PLATE, thrust 1	10-14
PLUG	7-11
PLUG CAP ASSY	31-12
*	31-12
PLUG, blind	25-31
PLUG, drain	20-26
*	20-57
PLUG, oil level	8-13
PLUG, screw	5-29
PLUG, straight screw	7-21
PLUNGER, starter	5-34
PRIMARY DRIVEN GEAR COMP.(63T	10- 7
PROTECTOR, chain	17-30
PULLER, chain 1	24-32
PULLER, chain 2	24-31
PUSH LEVER ASSY	10-28
REAR ARM COMP.	17- 1
REAR FENDER COMP.	15- 6
REAR FLASHER LIGHT ASSY 1	27-12
RECTIFIER ASSY	31- 4
REED VALVE ASSY	4- 1

## PARTS NAME INDEX

DESCRIPTION	REF. NO.
REED, valve	4- 2
RIM (1.60-21)	23-24
RIM (2.50-17)	24-19
RIM, taillight	30- 4
RING, leaf	25- 5
RING, Piston	20-14
*	20-42
RING, snap	20- 6
*	20-34
ROD, brake	26-15
ROD, connecting	2-10
*	23-15
*	34-27
ROD, Push	18- 5
ROD, Push 1	10-18
ROD, Push 2	10-24
ROTOR ASSY	3- 2
SCREW	10-20
*	21-22
SCREW, air adjusting	5-22
SCREW, bind	21-10
*	25-11
SCREW, boot band	20-27
*	20-58
SCREW, flat head	7- 7
*	12- 6
SCREW, lens fitting	29- 6
SCREW, lever fitting	21-19
SCREW, Pan head	3-11
*	3-13
*	3-15
*	3-17
*	3-18
*	4- 4
*	5-11
*	6-14
*	6-17
*	7-15
*	7-17
*	7-19
*	8- 3
*	8- 5
*	8- 9
*	8-15
*	14-29
*	16- 3
*	16- 8
*	16-21

## PARTS NAME INDEX

DESCRIPTION	REF. NO.
SCREW, Pan head	17-22
*	17-31
*	17-35
*	18- 4
*	18-36
*	19-21
*	21-32
*	22-12
*	25-12
*	25-27
*	30- 7
*	30-11
*	31- 2
*	31- 5
*	31- 9
*	31-26
*	32- 7
*	32-16
*	32-19
SCREW, Pan head with washer	5-14
SCREW, Panhead tapping	27- 5
*	27-16
SCREW, throttle	5-23
SCREW, with washer	10-13
SEAL	4-19
*	4-26
SEAL 1	14-26
SEAL, camshaft	23-12
*	24-11
SEAL, cock	21-16
SEAL, dust	18- 6
*	20- 7
*	20-35
SEAL, Guard	17-12
SEAL, mud Guard	15-15
SEAT, battery	31-19
SEAT, spring	5-33
*	26-20
SEAT, spring lower	18-22
SEAT, spring upper	18-17
*	20-16
*	20-44
SEGMENT	12- 2
SEMI-DOUBLE SEAT ASSY	22- 1
SHAFT	14-15
SHAFT, Pivot	17-13
SHIFT CAM ASSY	12- 1
SHIFT SHAFT ASSY	13- 1

## PARTS NAME INDEX

DESCRIPTION	REF. NO.
SHIM (O.3T)	17- 6
SHIM, camshaft	24-14
SHOCK ABSORBER ASSY, rear	18- 1
SILENCER, exhaust	6-12
SILENCER, intake 2	4-33
SOCKET CORD ASSY	29- 3
SPACER	3- 8
*	13-12
*	20-28
*	20-59
*	23- 2
SPACER 1	10-14
SPACER (L=80)	33- 3
SPACER, bead	23-29
*	24-24
SPACER, bearing	24- 2
SPANNER, special	22-16
SPEEDOMETER ASSY	28- 1
*	28- 1
SPEEDOMETER CABLE ASSY	28- 8
SPINDLE, taper	20-10
*	20-38
SPOKE SET, front	23-25
SPOKE SET, rear	24-20
SPRING	18-19
*	21-15
*	33- 1
*	33- 1
SPRING, compression	4-12
*	9-14
*	10-12
*	26-19
SPRING, front fork	20-15
*	20-43
*	33- 2
*	33- 2
SPRING, Plunger	5-35
SPRING, rebound	20-13
*	20-41
SPRING, screw	29- 5
SPRING, tension	6- 4
*	23- 8
*	24- 9
*	26- 2
SPRING, throttle stop	5-21
SPRING, throttle valve	5-16
SPRING, torsion	9- 5
*	10-28
*	12- 8
*	13- 4

## PARTS NAME INDEX

DESCRIPTION	REF. NO.
SPRING, torsion	13-13
*	23-22
*	26- 8
*	26-14
*	26-30
SPROCKET, drive (13T)	11-27
SPROCKET, drive (14T)	11-27
SPROCKET, drive (15T)	11-27
SPROCKET, driven (42T)	24-25
SPROCKET, driven (44T)	24-25
SPROCKET, driven (46T)	24-25
STAND, side	26- 1
STAY 1	21-31
STAY 2	4-32
STAY, flasher 1	27- 6
*	27- 9
STAY, muffler 1	6-23
STAY, muffler 2	6- 5
STOP SWITCH ASSY	31-23
STOPPER LEVER ASSY	12- 7
STOPPER, reed valve	4- 3
SUPPORT, bump stop	18-10
SUPPORT, chain	17-18
SWITCH, handle 4	32-18
TAILLIGHT ASSY	30- 1
TENSIONER	14-16
TIRE	24-21
TIRE (3.00-21)	23-26
TOOL KIT	22-15
TUBE	24-22
TUBE (3.00-21)	23-27
TUBE, outer 1	20- 2
TUBE, outer 2	20-30
TUBE, throttle guide	25- 4
UNDER BRACKET COMP.	20-60
UPPER BRACKET SUB ASSY	18-11
VALVE, throttle 1	5-25
VOLTAGE REGULATOR ASSY	31- 1
WASHER	2-12
*	5-15
*	11- 7
*	11-17
*	15- 5
*	16- 2
*	18-38
*	19- 5
*	19- 6
*	22- 9

## PARTS NAME INDEX

DESCRIPTION	REF. NO.
WASHER	24-37
*	30- 6
*	30-10
*	34-29
WASHER, lock	10-16
*	11-28
WASHER, main jet	5-28
WASHER, needle valve	5- 9
WASHER, oil seal	20- 5
*	20-33
WASHER, Plain	6- 6
*	14-10
*	14-13
*	14-31
*	17-33
*	23-20
*	26-17
*	30-13
WASHER, Plate	1-18
*	3-19
*	3-22
*	6- 9
*	6-16
*	6-18
*	6-21
*	6-26
*	8- 7
*	9- 4
*	9- 8
*	9-15
*	10-22
*	10-27
*	11- 4
*	11-10
*	11-14
*	11-21
*	13- 8
*	14- 7
*	14-18
*	14-19
*	14-22
*	15- 2
*	15- 9
*	15-13
*	16- 5
*	16-10
*	17-21
*	17-24

## PARTS NAME INDEX

DESCRIPTION	REF. NO.
WASHER, Plate	17-29
*	17-37
*	17-38
*	17-40
*	18-27
*	18-30
*	19-22
*	20-65
*	21- 6
*	21- 8
*	21-21
*	22-13
*	23-32
*	24-16
*	24-28
*	25-23
*	26-10
*	28- 6
*	29- 7
*	31- 7
*	31-25
*	32- 4
*	32-11
WASHER, sPring	1-17
*	3-12
*	3-14
*	3-16
*	3-21
*	4- 5
*	4-30
*	5-12
*	6- 8
*	6-15
*	6-25
*	8- 6
*	10- 3
*	10-21
*	14- 6
*	14-30
*	15- 4
*	15- 8
*	15-12
*	16- 4
*	16- 9
*	16-17
*	16-22
*	17-15
*	17-20

PARTS NAME INDEX

DESCRIPTION	REF. NO.
WASHER, sPring .....	17-23
*	17-28
*	17-32
*	17-36
*	17-42
*	18-37
*	19- 7
*	20-56
*	20-64
*	21- 5
*	21-33
*	22- 8
*	24-36
*	25-28
*	27-17
*	27-19
*	28- 5
*	30- 8
*	30-12
*	31- 3
*	31- 6
*	31-10
*	31-27
*	32- 8
*	32-17
WASHER, wave .....	18-24
WIRE HARNESS ASSY .....	31-13
WIRE, earth lead 1 .....	27- 7
*	27-10

PARTS NAME INDEX

DESCRIPTION	REF. NO.
-------------	-------------