

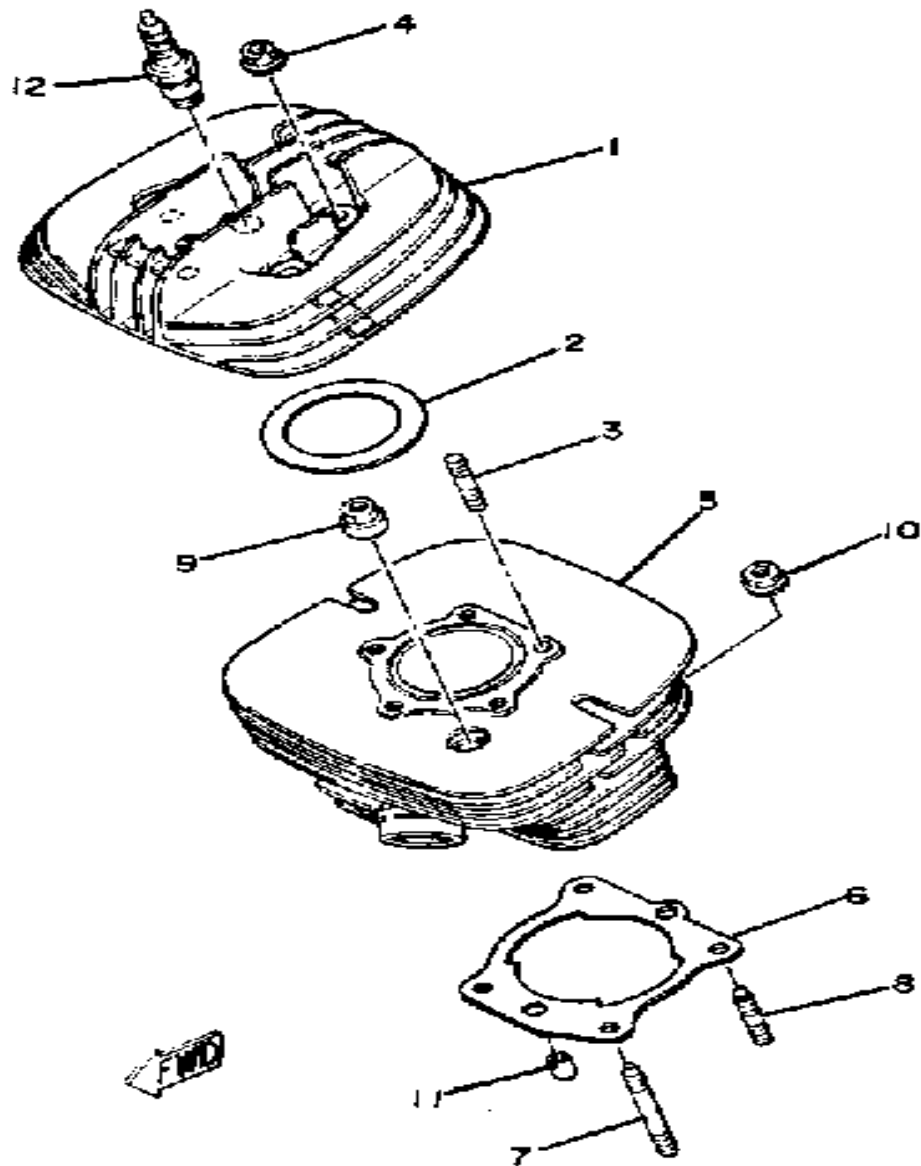
**YAMAHA**

**GENUINE**

**PARTS CATALOGUE**

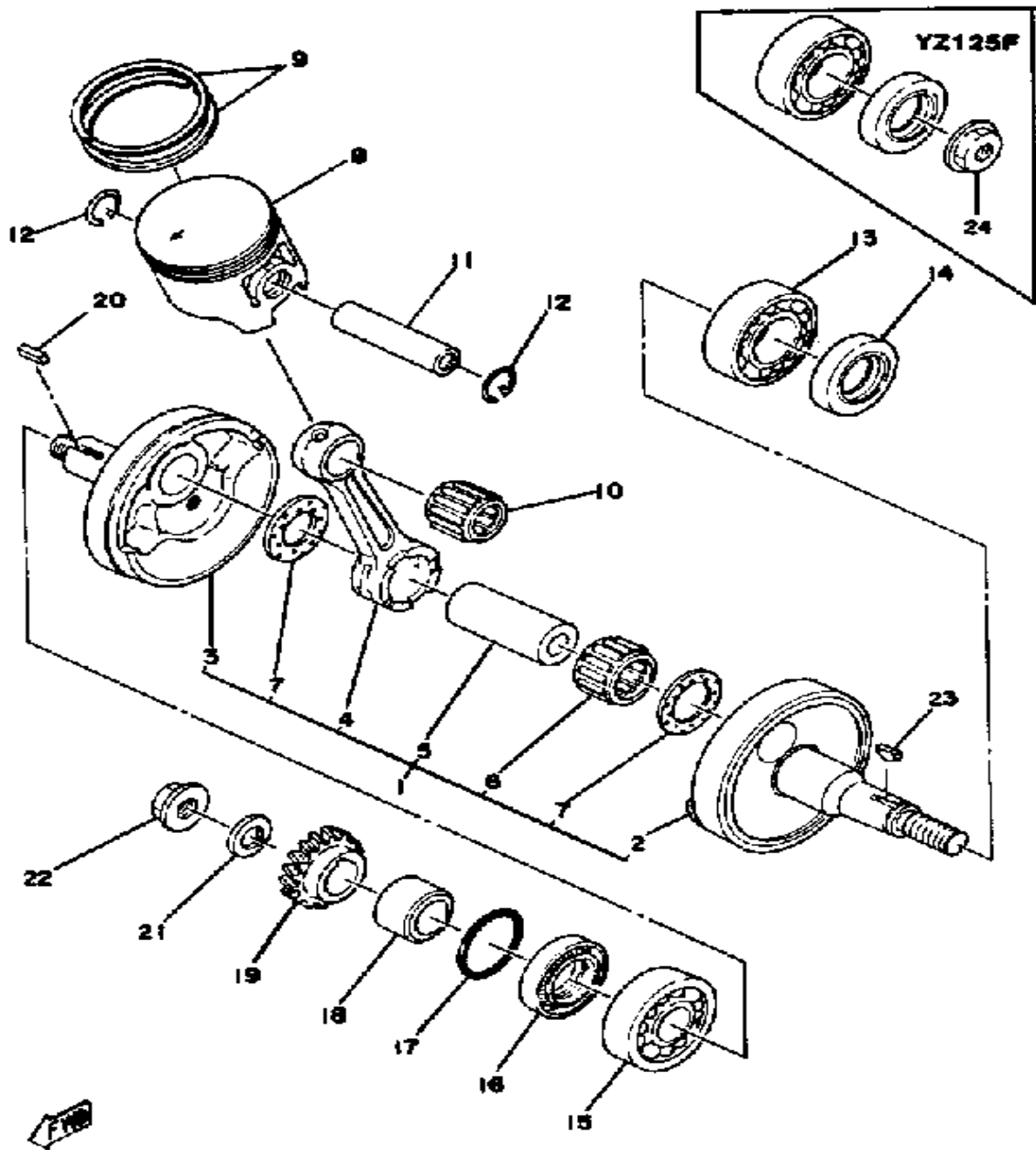
**MOTORCYCLE**

# CYLINDER YZ125G



Ref. No.	Part Number	Description	Qty	Remarks
1	3R3-11111-00-00	HEAD, CYLINDER 1	1	
2	3R3-11181-00-00	GASKET, CYLINDER HEAD 1	1	
3	90116-08321-00	BOLT, STUD	5	
4	90179-08491-00	NUT, SPECL SHAPE	5	
5	3R3-11311-00-00	CYLINDER 1	1	
6	3R3-11351-00-00	GASKET, CYLINDER	1	
7	90116-08319-00	BOLT, STUD	1	
8	90116-08318-00	BOLT, STUD	3	
9	90179-08268-00	NUT	1	
10	90179-08491-00	NUT, SPECL SHAPE	3	
11	99530-10014-00	PIN, DOWEL	2	
12	NGK-B10EV-00-00	NGK B10EV 4PK	1	

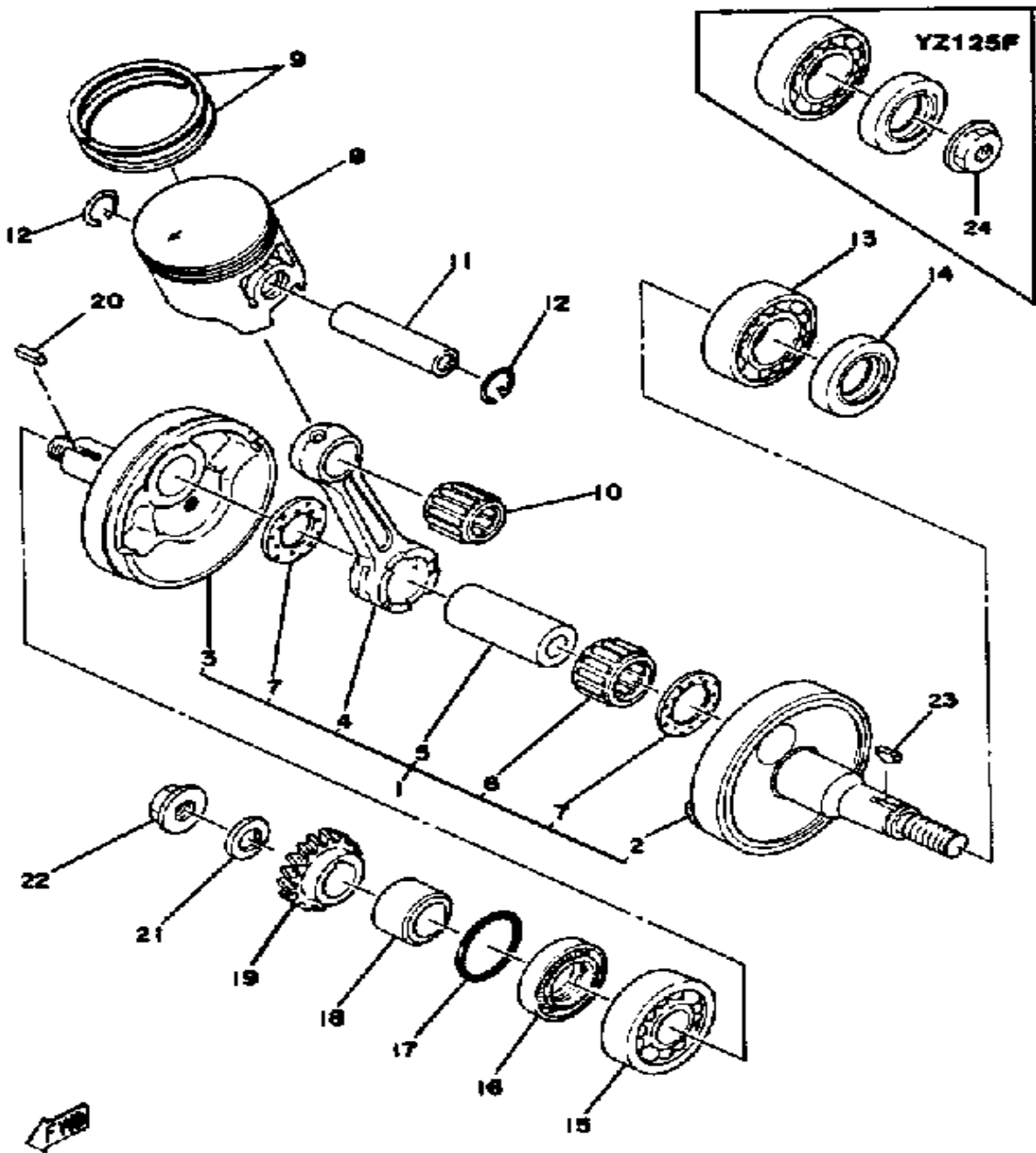
# CRANKSHAFT - PISTON YZ125E - F



Ref. No.	Part Number	Description	Qty	Remarks
1	2K5-11400-00-00	CRANKSHAFT ASSEMBLY (1W1-11400-01)	1	
	2W5-11400-00-00	CRANKSHAFT ASSEMBLY	1	
2	1W1-11412-01-00	. CRANK 1	1	
	2W5-11412-00-00	. CRANK 1	1	
3	1W1-11422-01-00	. CRANK 2	1	
4	3R2-11651-01-00	. ROD, CONNECTING	1	
5	3M5-11681-00-00	. PIN, CRANK 1	1	
6	93310-422H0-00	. BEARING, CYLINDER.# 0	1	
7	90209-22248-00	. WASHER	2	
8	(2K6-11630-10-00)	PISTON KIT 1ST	1	ALT. PART
	(2K6-11630-20-00)	PISTON KIT 2ND	1	ALT. PART
	(2X3-11630-11-00)	PISTON KIT 1ST	1	
	2K6-11630-40-00	PISTON KIT 4TH (4TH O.S.)	1	ALT. PART
	2K6-11631-00-97	PISTON STD (STD)	1	
	2K6-11631-00-97	PISTON STD (STD)	1	ALT. PART
	2K6-11635-00-00	PISTON 1 O/S 0.25 (56.25MM 1ST O.S.)	1	ALT. PART
	2K6-11636-00-00	PISTON 2 O/S 0.50 (56.50MM 2ND O.S.)	1	ALT. PART
	2K6-11637-00-00	PISTON 3 O/S 0.75 (3RD O.S.)	1	ALT. PART
	2K6-11638-00-00	PISTON 4 O/S 1.00 (57.00MM 4TH O.S.)	1	ALT. PART
	2X3-11630-01-00	PISTON KIT STD (STD)	1	
	2X3-11631-01-97	PISTON STD (55.97MM STD)	1	
	2X3-11635-01-00	PISTON 1 O/S 0.25 (56.25MM 1ST O.S.)	1	
	3R3-11630-20-00	PISTON KIT 2ND (2ND O/S)	1	
	3R3-11630-30-00	PISTON KIT 3RD (3RD O/S)	1	
	3R3-11630-40-00	PISTON KIT 4TH (4TH O/S)	1	ALT. PART

CONTINUED ON NEXT FRAME ►

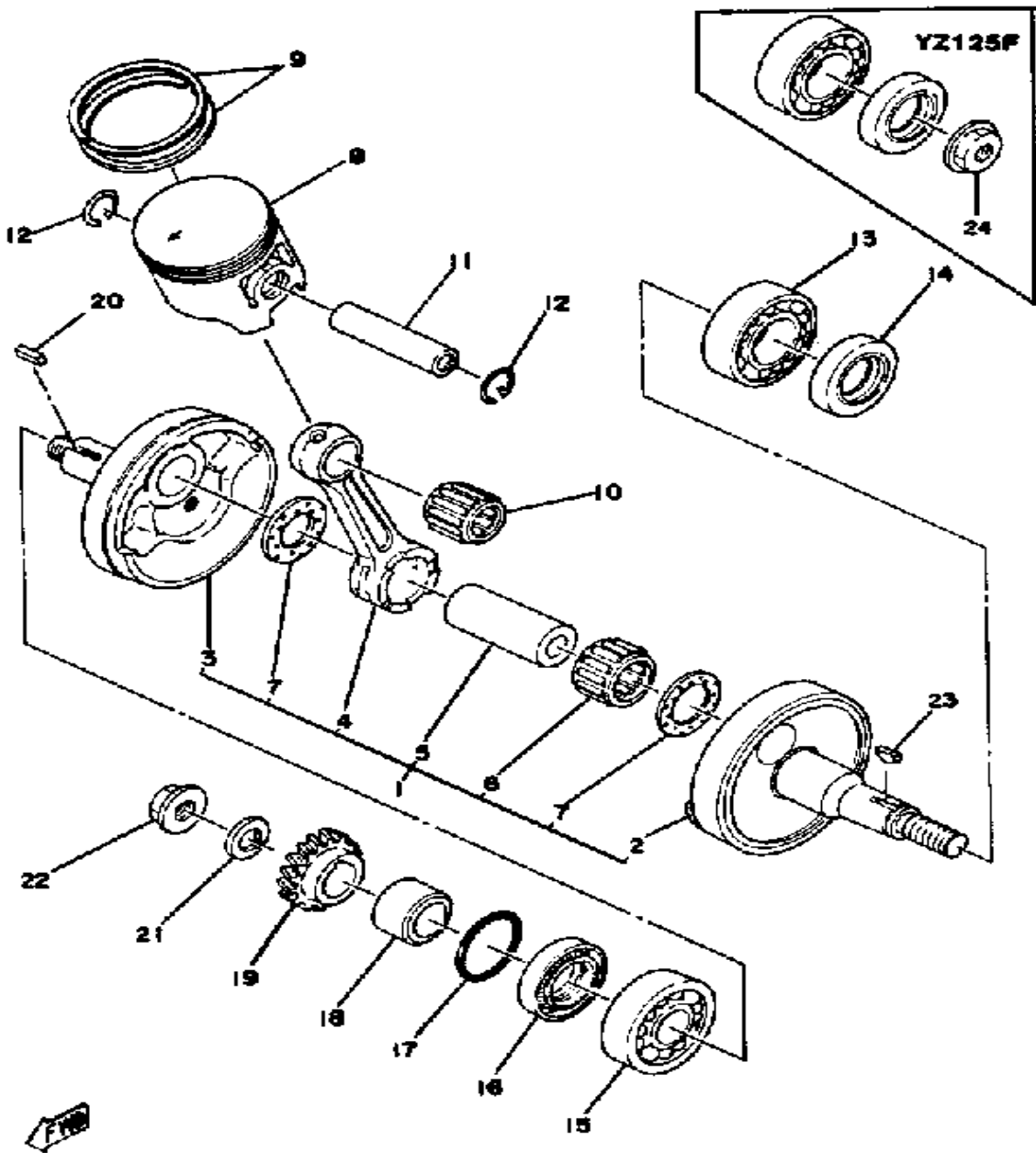
# CRANKSHAFT - PISTON YZ125E - F



Ref. No.	Part Number	Description	Qty	Remarks
8	3R3-11636-00-00	PISTON 2 O/S 0.50 (2ND O/S 0.50MM) .....	1	
	3R3-11637-00-00	PISTON 3 O/S 0.75 (3RD O/S 0.75MM) .....	1	
	3R3-11638-00-00	PISTON 4 O/S 1.00 (4TH O/S 1.00MM) .....	1	
9	2K6-11611-00-00	RING, PISTON STD (STD) ....	2	
	2K6-11611-10-00	RING, PISTON 1ST (1ST O/S) .	2	ALT. PART
	2K6-11611-20-00	RING, PISTON 2ND (2ND O/S) .	2	ALT. PART
	2K6-11611-30-00	RING, PISTON 3RD (3RD O/S) .	2	ALT. PART
	2K6-11611-40-00	RING, PISTON 4TH (4TH O/S) .	2	ALT. PART
	3R3-11601-00-00	PISTON RINGSET STD (STD) .	1	
	3R3-11601-10-00	PISTON RINGSET 1ST (1ST O/S) .....	1	
	3R3-11601-20-00	PISTON RINGSET 2ND (2ND O/S) .....	1	
	3R3-11601-30-00	PISTON RINGSET 3RD (3RD O/S) .....	1	
	3R3-11601-40-00	PISTON RINGSET 4TH (4TH O/S) .....	1	
10	93310-216L2-00	BEARING, CYLINDRICAL ....	1	
11	137-11633-00-00	PIN, PISTON .....	1	
12	93450-17025-00	CIRCLIP .....	2	
13	93306-20529-00	BEARING (B6205C4) .....	1	
14	93103-25125-00	OIL SEAL, SW-TYPE .....	1	
15	93306-30421-00	BEARING (B6304C3) .....	1	
16	93103-28011-00	OIL SEAL .....	1	
17	93210-180A6-00	O-RING .....	1	
18	90387-20488-00	COLLAR .....	1	
19	1W1-16111-00-00	GEAR, PRI DRIVE .....	1	
20	90282-05005-00	KEY, STRAIGHT .....	1	

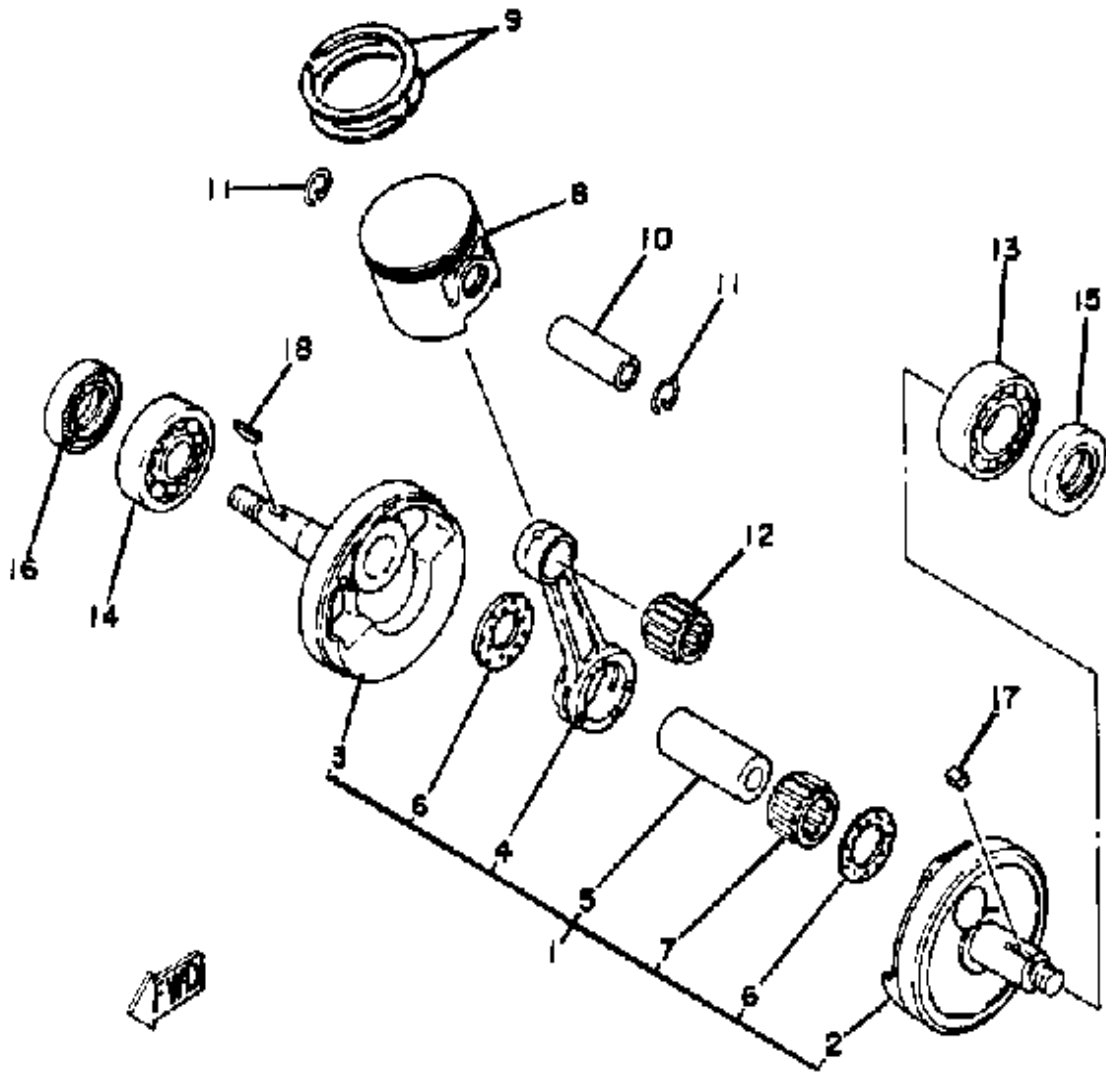
CONTINUED ON NEXT FRAME ►

# CRANKSHAFT - PISTON YZ125E - F



Ref. No.	Part Number	Description	Qty	Remarks
21	90204-12007-00	WASHER, SPRING .....	1	
22	90179-12244-00	NUT .....	1	
23	90280-03017-00	KEY, WOODRUFF .....	1	
24	90179-10257-00	NUT, SPEC'L SHAPE .....	1	

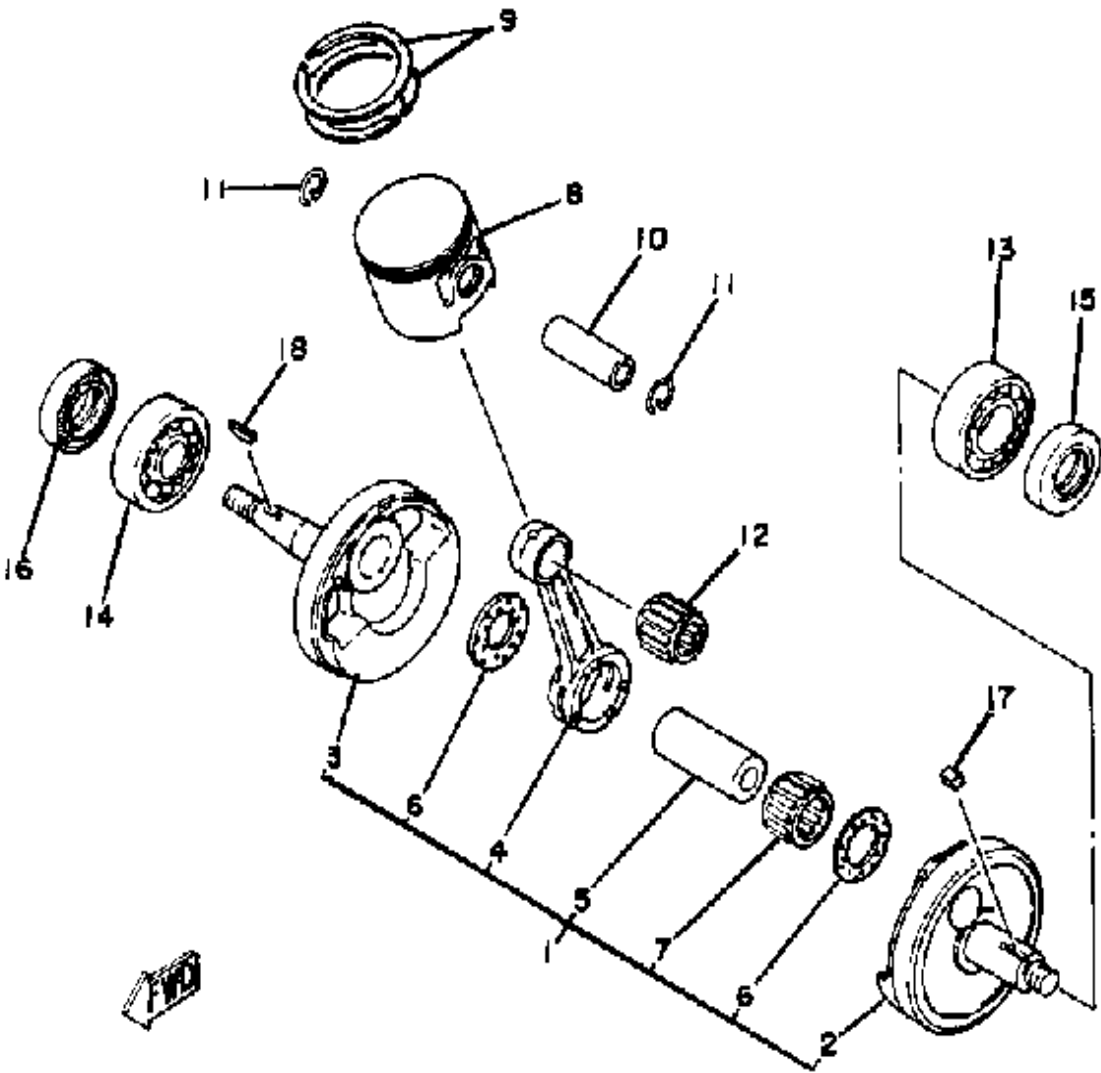
# CRANKSHAFT - PISTON YZ125G



Ref. No.	Part Number	Description	Qty	Remarks
1	3R3-11400-00-00	CRANKSHAFT ASSEMBLY	1	
2	3R3-11412-00-00	. CRANK 1	1	
3	4V2-11422-00-00	. CRANK 2	1	
4	4V2-11650-00-00	. CONNECTING ROD ASSEMBLY	1	
5	3M5-11681-00-00	. PIN, CRANK 1	1	
6	90209-22248-00	. WASHER	2	
7	93310-422H0-00	. BEARING, CYLINDER.# 0	1	
8	3R3-11630-00-00	PISTON KIT STD	1	STD
	3R3-11630-20-00	PISTON KIT 2ND (2ND O/S)	1	
	3R3-11630-30-00	PISTON KIT 3RD (3RD O/S)	1	
	3R3-11630-40-00	PISTON KIT 4TH (4TH O/S)	1	
	3R3-11631-00-97	PISTON STD (STD)	1	
	3R3-11635-00-00	PISTON 1 O/S 0.25 (1ST O/S)	1	ALT. PART
	3R3-11635-00-00	PISTON 1 O/S 0.25 (1ST O/S)	1	ALT. PART
	3R3-11636-00-00	PISTON 2 O/S 0.50 (2ND O/S 0.50MM)	1	ALT. PART
	3R3-11637-00-00	PISTON 3 O/S 0.75 (3RD O/S 0.75MM)	1	ALT. PART
	3R3-11638-00-00	PISTON 4 O/S 1.00 (4TH O/S 1.00MM)	1	ALT. PART
9	3R3-11601-00-00	PISTON RINGSET STD (STD)	1	
	3R3-11601-10-00	PISTON RINGSET 1ST (1ST O/S)	1	ALT. PART
	3R3-11601-20-00	PISTON RINGSET 2ND (2ND O/S)	1	ALT. PART
	3R3-11601-30-00	PISTON RINGSET 3RD (3RD O/S)	1	ALT. PART
	3R3-11601-40-00	PISTON RINGSET 4TH (4TH O/S)	1	ALT. PART
10	137-11633-00-00	PIN, PISTON	1	

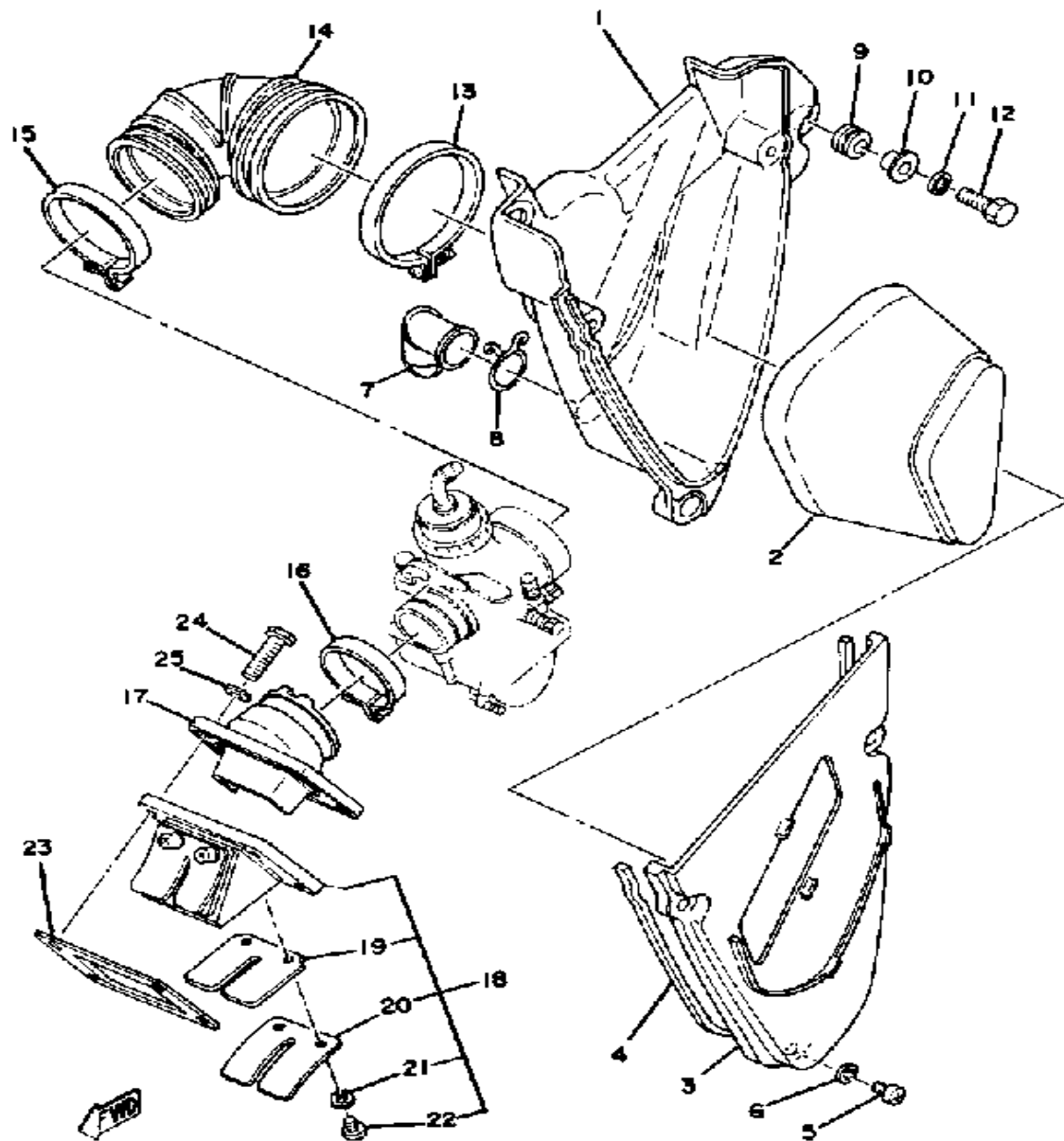
CONTINUED ON NEXT FRAME ➤

# CRANKSHAFT - PISTON YZ125G



Ref. No.	Part Number	Description	Qty	Remarks
11	93450-17025-00	CIRCLIP .....	2	
12	93310-216L2-00	BEARING, CYLINDRICAL ....	1	
13	93306-30421-00	BEARING (B6304C3) .....	1	
14	93306-20529-00	BEARING (B6205C4) .....	1	
15	93103-28011-00	OIL SEAL .....	1	
16	93102-25258-00	OIL SEAL, SD-TYPE .....	1	
17	90282-05038-00	KEY, STRAIGHT .....	1	
18	90280-03017-00	KEY, WOODRUFF .....	1	

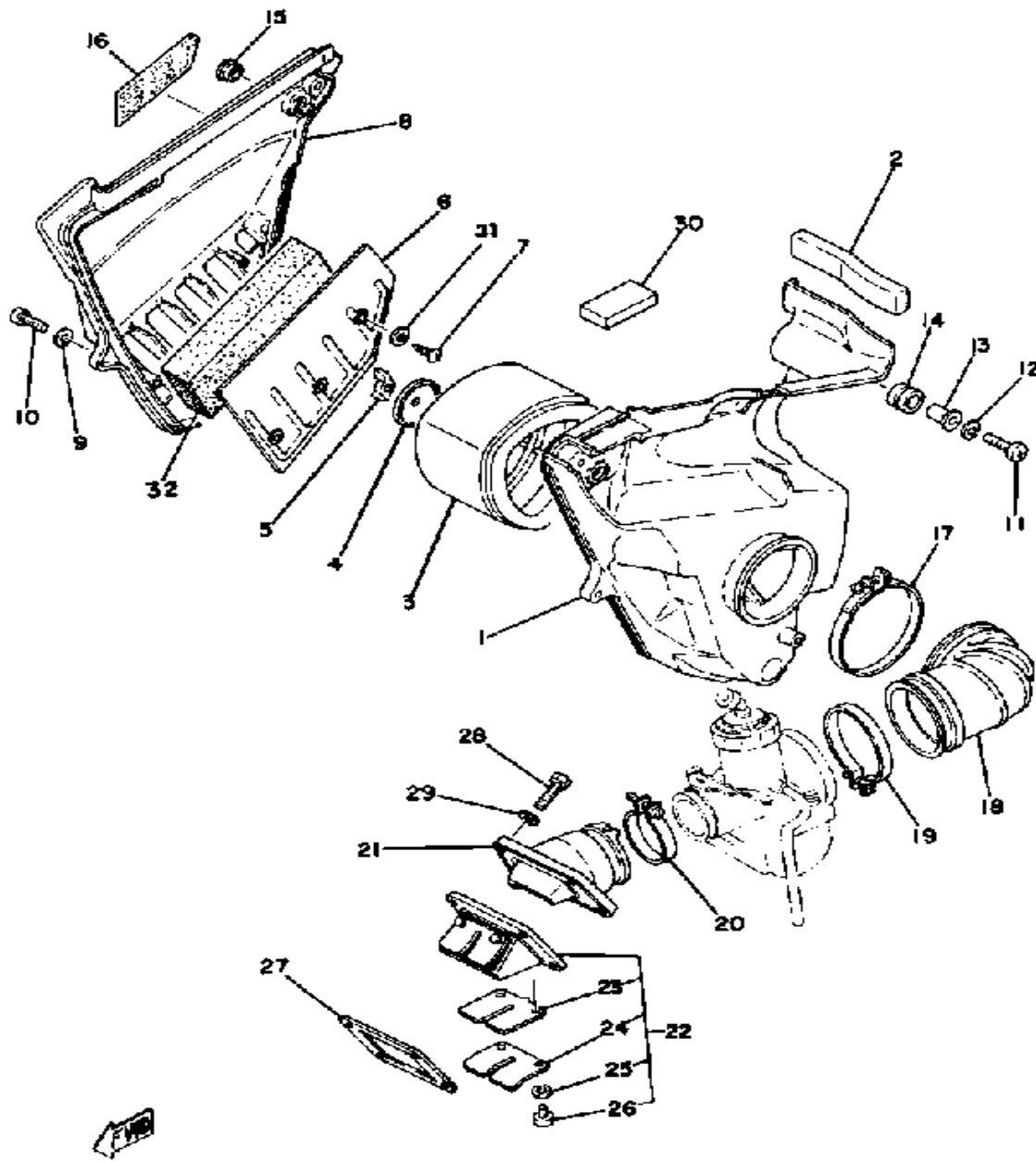
# AIR CLEANER YZ125E



Ref. No.	Part Number	Description	Qty	Remarks
1	(2W6-14411-00-00)	CASE, AIR CLEANER 1	1	
2	1W1-14450-02-00	ELEMENT ASSEMBLY (1W1-14450-01)	1	
3	1W1-14412-02-00	CAP, CLEANER CASE 1 (1W1-14412-01)	1	
4	3V6-14416-00-00	GASKET, AIR CLEANER	1	
5	98511-06025-00	SCREW PAN HEAD	1	
6	92901-06600-00	WASHER, PLATE	3	
7	1W1-14457-01-00	SEAL	1	
8	90467-20030-00	CLIP, SCISSOR	1	
9	90480-14023-00	GROMMET	3	
10	90387-07391-00	COLLAR	3	
11	92995-06100-00	WASHER, SPRING	3	
12	97011-06025-00	BOLT (97001-06025)	3	
13	90460-77016-00	CLAMP, HOSE	1	
14	(1W1-14453-00-00)	JOINT, AIR CLNR 1	1	
15	90460-64065-00	CLAMP, HOSE	1	
16	90460-49058-00	CLAMP, HOSE	1	
17	1W1-13565-00-00	JOINT, CARBURETOR	1	
18	10V-13610-01-00	REED VALVE ASSEMBLY (885-13610-00)	1	
19	10V-13613-01-00	. REED, VALVE (1L8-13613-00)	2	
20	1UA-13616-00-00	. STOPPER REED VALVE VALVE (10V-13616-01)	2	
21	92990-03100-00	. WASHER, SPRING	4	
22	98580-03008-00	. SCREW, PAN HEAD	4	
23	3TT-13621-00-00	GASKET, VALVE SEAT	1	
24	97011-06025-00	BOLT (97001-06025)	4	
25	92901-06600-00	WASHER, PLATE	4	



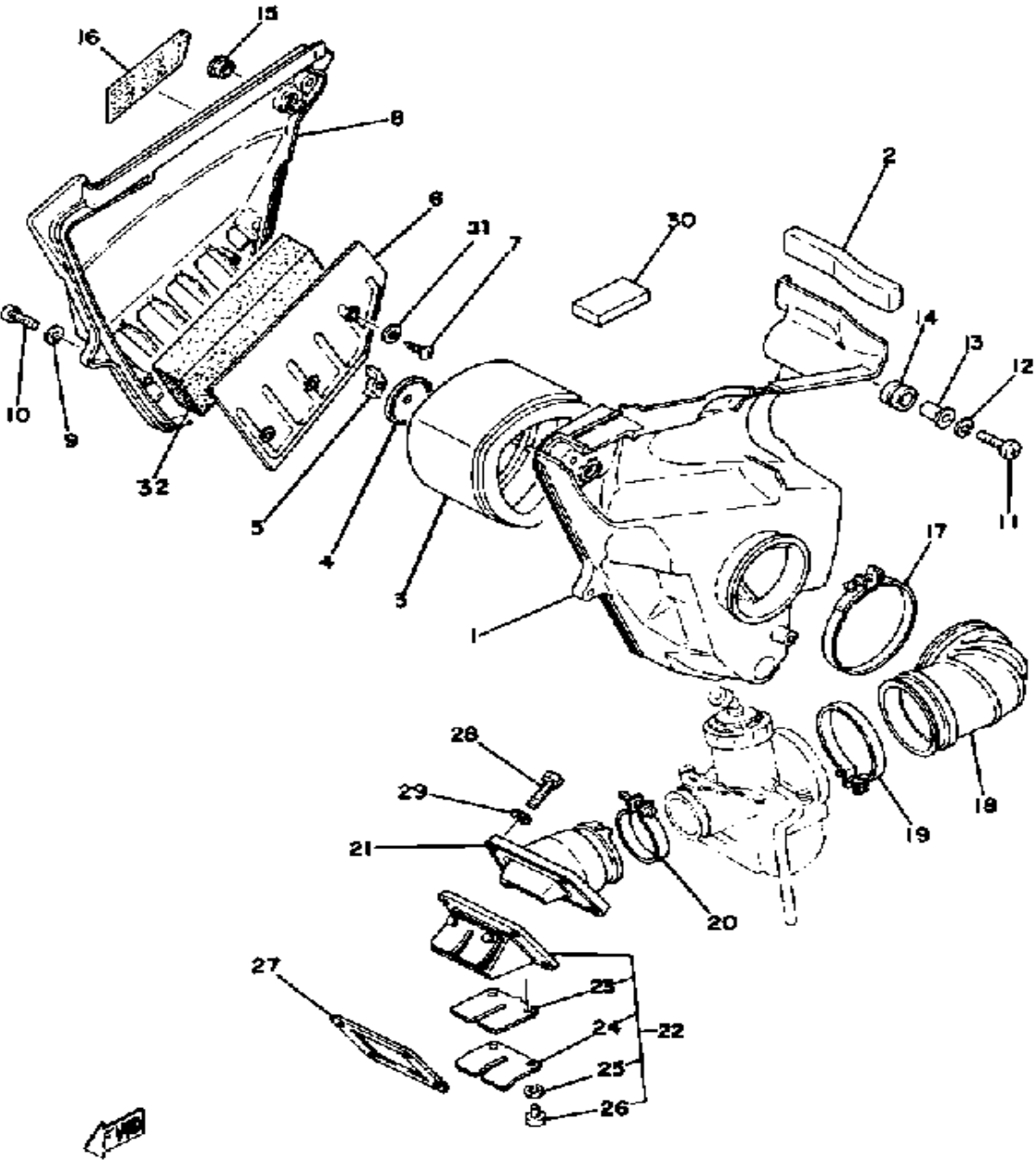
# AIR CLEANER YZ125F



Ref. No.	Part Number	Description	Qty	Remarks
1	(2X3-14411-00-00)	CASE, AIR CLEANER 1	1	
2	(2X3-14462-00-00)	SEAL	1	
3	(2X3-14450-00-00)	ELEMENT ASSEMBLY	1	
4	2X4-14468-00-00	PLATE, ELEMENT FTNG	1	
5	90175-06008-00	NUT, WING	1	
6	(2X3-14477-00-00)	PLATE	1	
7	97780-40116-00	SCREW, TAPPING	3	
8	(2X3-14412-00-00)	CAP, CLEANER CASE 1	1	
9	92901-06600-00	WASHER, PLATE	4	
10	98580-06020-00	SCREW, PAN HEAD	4	
11	98511-06025-00	SCREW PAN HEAD	3	
12	92995-06100-00	WASHER, SPRING	3	
13	90387-07391-00	COLLAR	3	
14	90480-14023-00	GROMMET	3	
15	90480-14100-00	GROMMET	2	
16	2X3-21737-00-00	EMBLEM	1	
17	90460-85277-00	CLAMP, HOSE	1	
18	(2X3-14453-00-00)	JOINT, AIR CLNR 1	1	
19	90460-64065-00	CLAMP, HOSE	1	
20	90460-49058-00	CLAMP, HOSE	1	
21	1W1-13565-00-00	JOINT, CARBURETOR	1	
22	2X3-13610-00-00	REED VALVE ASSEMBLY	1	
23	(2X3-13613-00-00)	REED, VALVE	2	
24	1UA-13616-00-00	. STOPPER REED VALVE VALVE (10V-13616-01)	2	
25	92990-03100-00	. WASHER, SPRING	4	
26	98580-03008-00	. SCREW, PAN HEAD	4	
27	3TT-13621-00-00	GASKET, VALVE SEAT	1	
28	97011-06025-00	BOLT (97001-06025)	4	

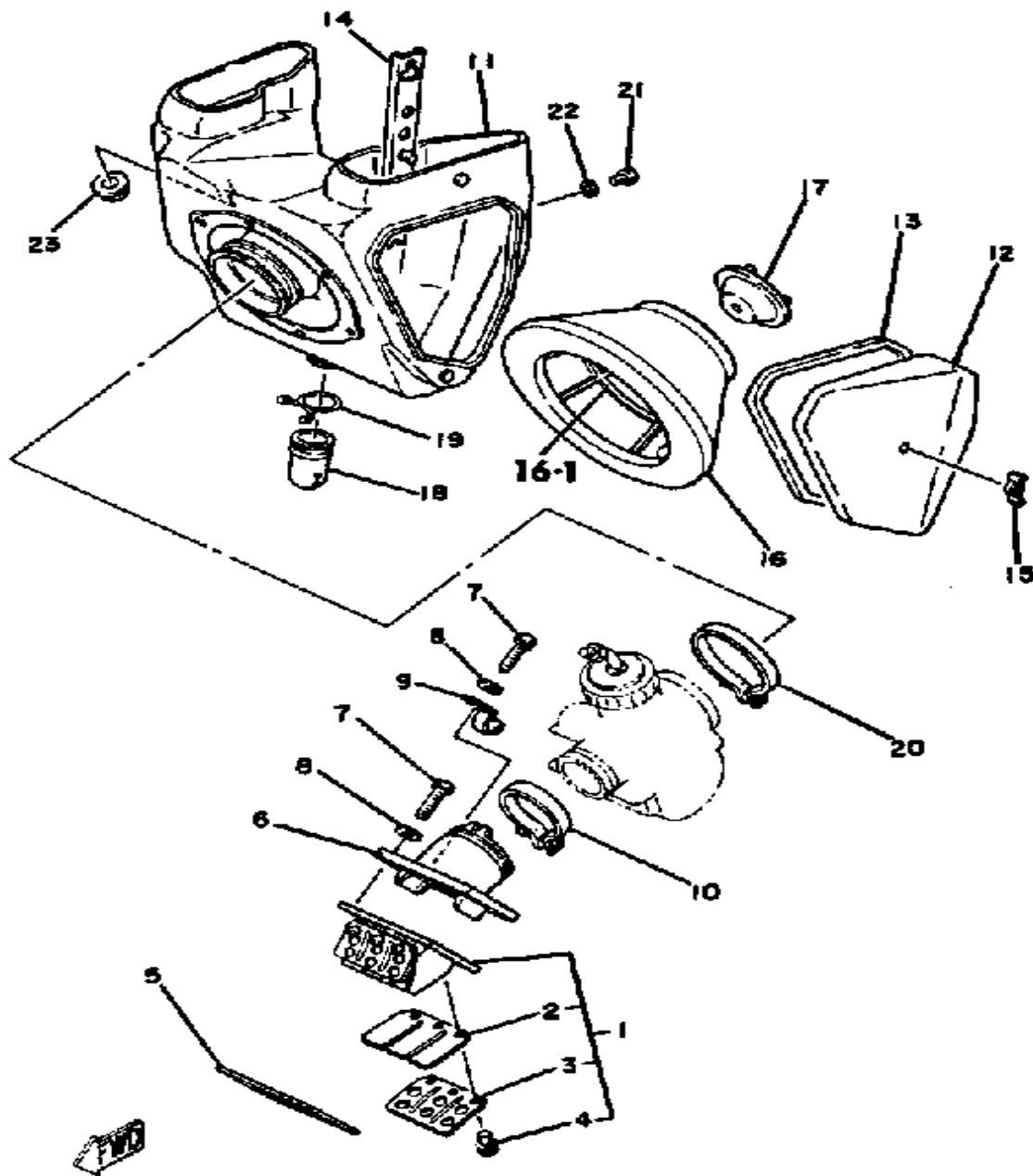
CONTINUED ON NEXT FRAME ►

# AIR CLEANER YZ125F



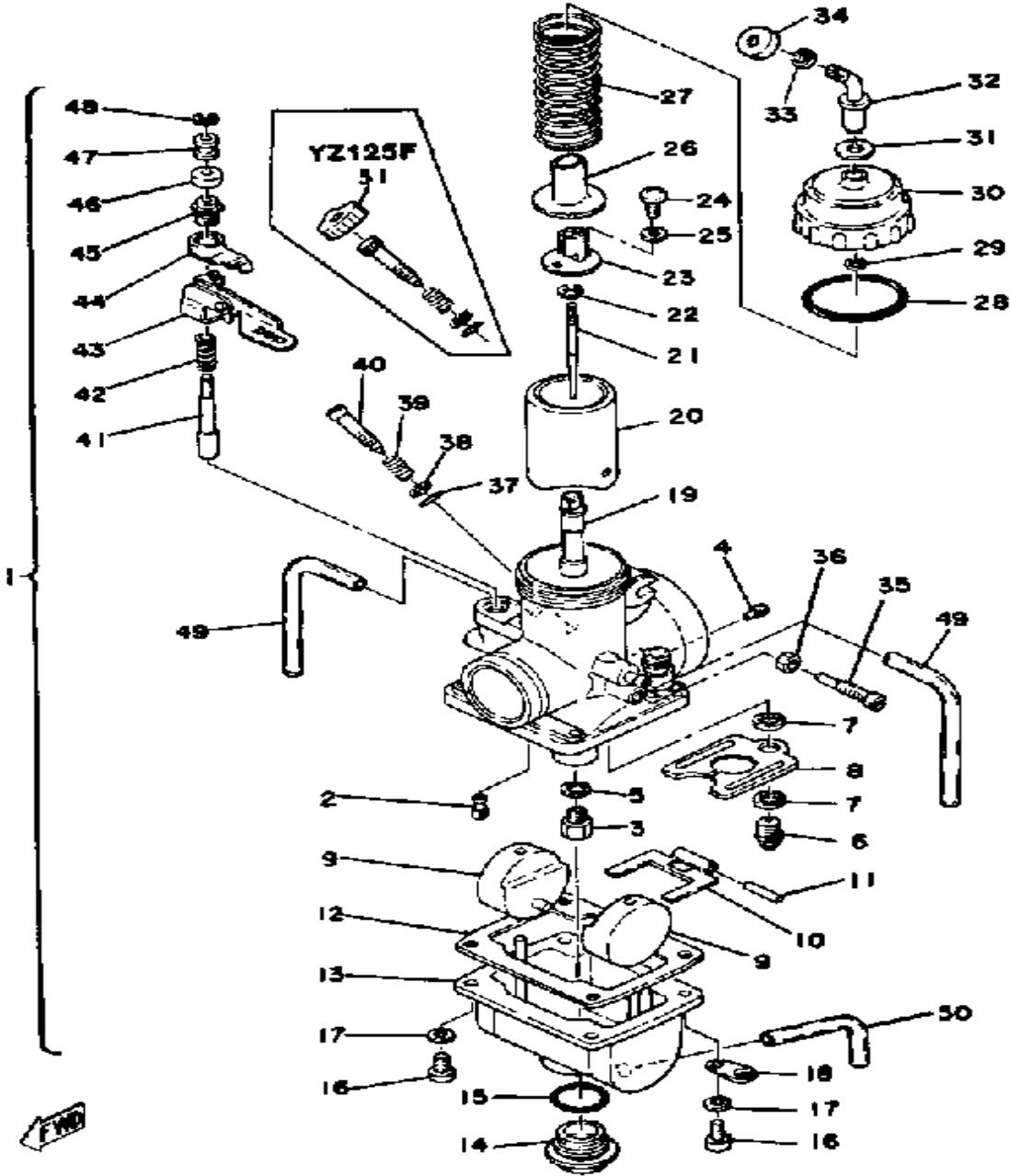
Ref. No.	Part Number	Description	Qty	Remarks
29	92901-06600-00	WASHER, PLATE .....	4	
30	(2X3-14452-00-00)	SEAL .....	1	
31	92901-04600-00	WASHER, PLATE .....	3	
32	(2X3-14461-00-00)	ELEMENT, AIR CLNR 2 .....	1	

# AIR CLEANER YZ125G



Ref. No.	Part Number	Description	Qty	Remarks
1	39W-13610-00-00	REED VALVE ASSEMBLY	1	
2	3R3-13613-00-00	. REED, VALVE	2	
3	39W-13616-00-00	. STOPPER, REED VALVE	2	
4	98580-03008-00	. SCREW, PAN HEAD	6	
5	3R3-13621-00-00	GASKET, VALVE SEAT	1	
6	3R3-13565-00-00	JOINT, CARBURETOR	1	
7	97011-06025-00	BOLT (97001-06025)	4	
8	92901-06600-00	WASHER, PLATE	4	
9	90462-05005-00	CLAMP	1	
10	90460-49058-00	CLAMP, HOSE	1	
11	(4V2-14401-00-00)	AIR CLNR CASE ASSEMBLY	1	
12	3R3-14412-01-00	CAP, CLEANER CASE 1	1	
13	50M-14462-01-00	SEAL	1	
14	3R3-14494-00-00	STAY 2	1	
15	90175-06008-00	NUT, WING	1	
16	3R3-W1442-01-00	ELEMENT, AIR CLNR	1	
17	(3R3-14468-00-00)	PLATE, ELEMENT FTNG	1	
18	1W4-14457-00-00	SEAL	2	
19	90467-20030-00	CLIP, SCISSOR	1	
20	90460-64065-00	CLAMP, HOSE	1	
21	97013-06012-00	BOLT	2	
22	92995-06100-00	WASHER, SPRING	2	
23	90480-13398-00	GROMMET	1	

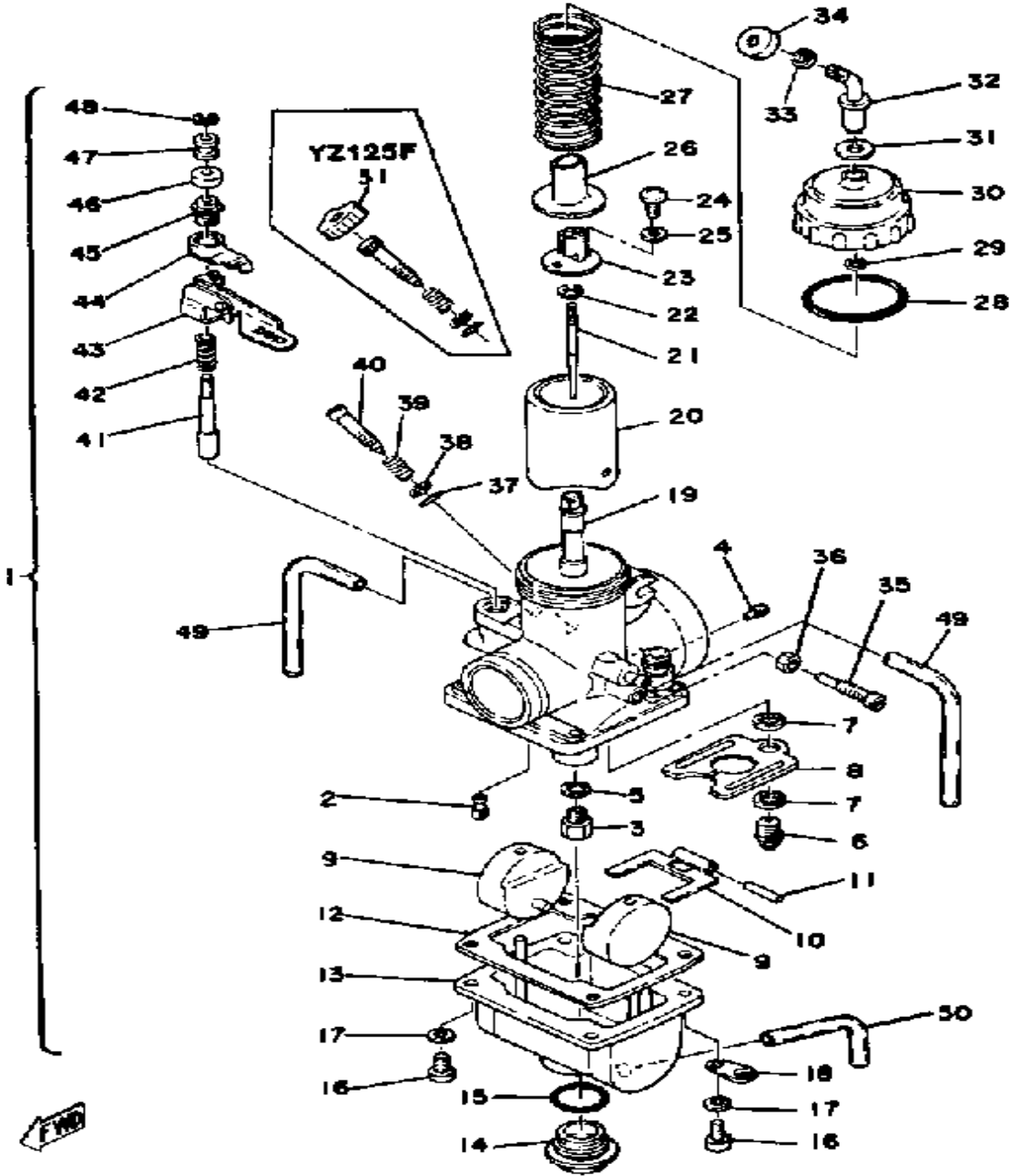
# CARBURETOR YZ125E - F



Ref. No.	Part Number	Description	Qty	Remarks
1	(2K6-14101-00-00)	CARBURETOR ASSEMBLY 1	1	
	(2X3-14101-00-00)	CARBURETOR ASSEMBLY 1	1	
2	193-14142-60-00	. JET, PILOT #60 (60)	1	
3	137-14143-54-A1	. JET, MAIN (#270)	1	U.R.
	137-14143-56-A0	. JET, MAIN (# 280)	1	U.R. STD
	137-14143-58-A1	. JET, MAIN (# 290)	1	U.R.
4	239-14172-20-00	. PILOT JET, AIR (2.0)	1	
5	(537-14153-00-00)	WASHER, MAIN JET	1	
6	24X-14107-33-00	. NEEDLE VALVE SET (#3.3)	1	
7	239-14195-00-00	. WASHER, NEEDLE VLV	2	
8	483-14146-00-00	. PLATE	1	
9	310-14185-00-00	. FLOAT	2	
10	310-14187-00-00	. ARM, FLOAT	1	
11	127-14186-00-00	. PIN, FLOAT	1	
12	483-14184-00-00	. GASKET, FLOAT CHMBR	1	
13	(2K6-14181-16-00)	BODY, FLOAT CHMBR 1	1	
14	2K6-14115-00-00	. PLUG, SCREW	1	
15	2K6-14147-00-00	. O-RING	1	
16	98580-05016-00	. SCREW, PAN HEAD	4	
17	92990-05100-00	. WASHER, SPRING	4	
18	313-14146-00-00	. PLATE	2	
19	239-14141-48-00	. NOZZLE, MAIN P 8	1	
20	509-14112-30-00	. VALVE, THROTTLE 1	1	
21	239-14116-22-00	. NEEDLE	1	
22	164-14137-00-00	. CLIP	1	
23	509-14274-00-00	. CONNECTOR	1	
24	98580-03008-00	. SCREW, PAN HEAD	2	
25	92990-03100-00	. WASHER, SPRING	2	
26	509-14136-00-00	. SEAT, SPRING	1	

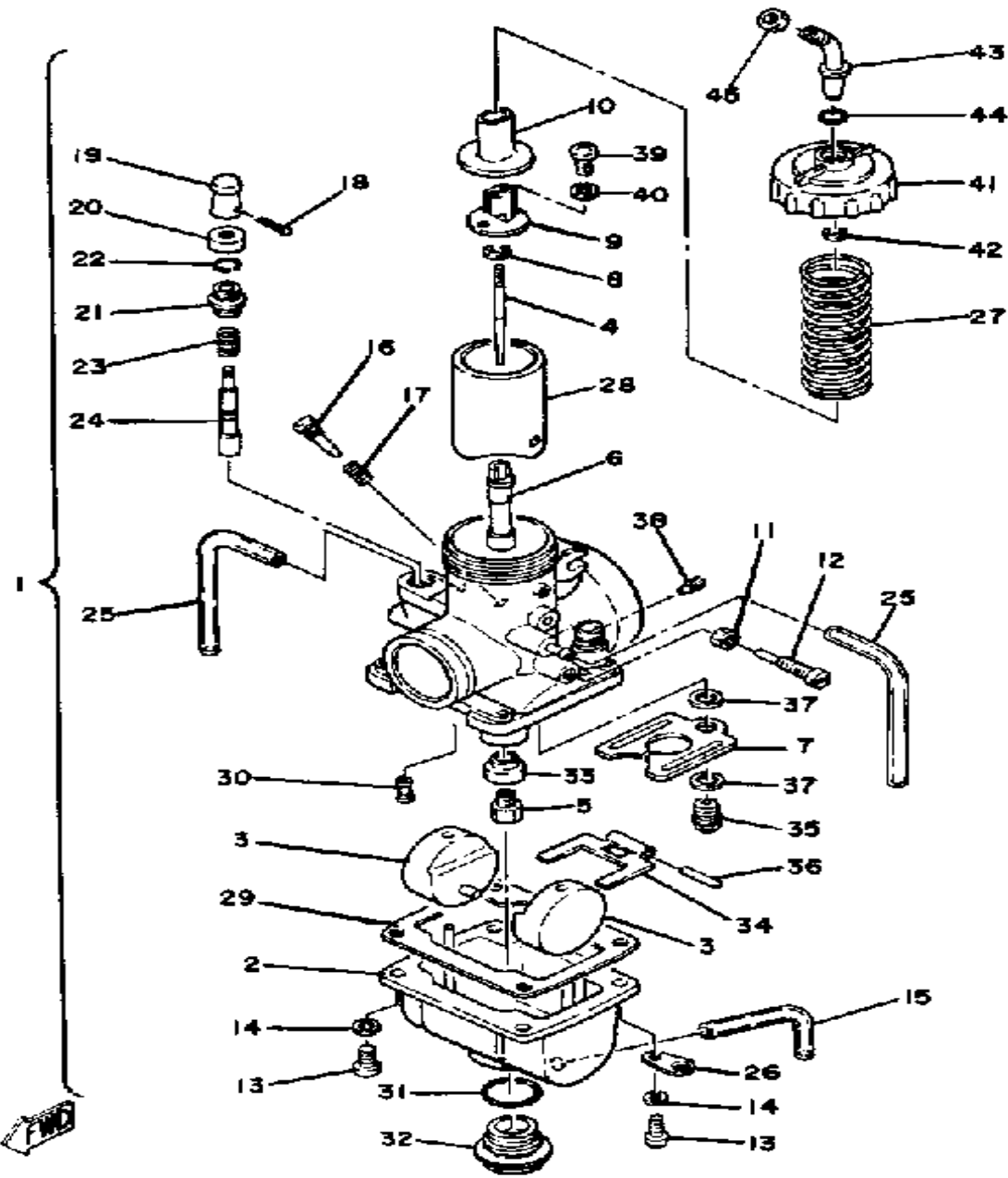
CONTINUED ON NEXT FRAME ➤

# CARBURETOR YZ125E - F



Ref. No.	Part Number	Description	Qty	Remarks
27	363-14131-00-00	. SPRING, THROTTLE VALVE	1	
28	93210-40289-00	. O-RING	1	
29	363-14137-00-00	. CLIP	1	
30	500-14158-00-00	. TOP, MIXING CHAMBER (500-14158-00-33)	1	
31	509-14198-00-00	. GASKET	1	
32	500-14155-00-00	. GUIDE, CABLE	1	
33	127-14161-00-00	. NUT, CABLE ADJUSTING	1	
34	1M1-14169-00-00	. CAP	1	
35	24X-14103-00-00	. THROTTLE SCREW SET	1	
36	802-14161-00-00	. NUT, CABLE ADJUSTING	1	
37	812-14147-00-00	. O-RING	1	
38	812-14235-00-00	. WASHER, NEEDLE	1	
39	137-14134-00-00	. SPRING, AIR ADJUSTING	1	
40	1G8-14123-00-00	. SCREW, AIR ADJUSTING	1	
	43G-14104-00-00	. AIR SCREW SET (2X3-14123-00)	1	
41	1W1-14171-00-00	. PLUNGER, STARTER	1	
42	256-14135-00-00	. SPRING, PLUNGER	1	
43	1W1-14175-01-00	. LEVER, STARTER 1	1	
44	275-14178-00-00	. PLATE, STARTER LVR	1	
45	802-14174-00-00	. CAP, PLUNGER	1	
46	802-14173-00-00	. COVER, PLUNGER CAP	1	
47	583-14918-00-00	. RING	1	
48	737-14137-00-00	. CLIP	1	
49	310-14197-00-00	. PIPE	2	
50	2J2-14196-00-00	. PIPE	1	
51	1W1-14968-00-00	. CAP	1	

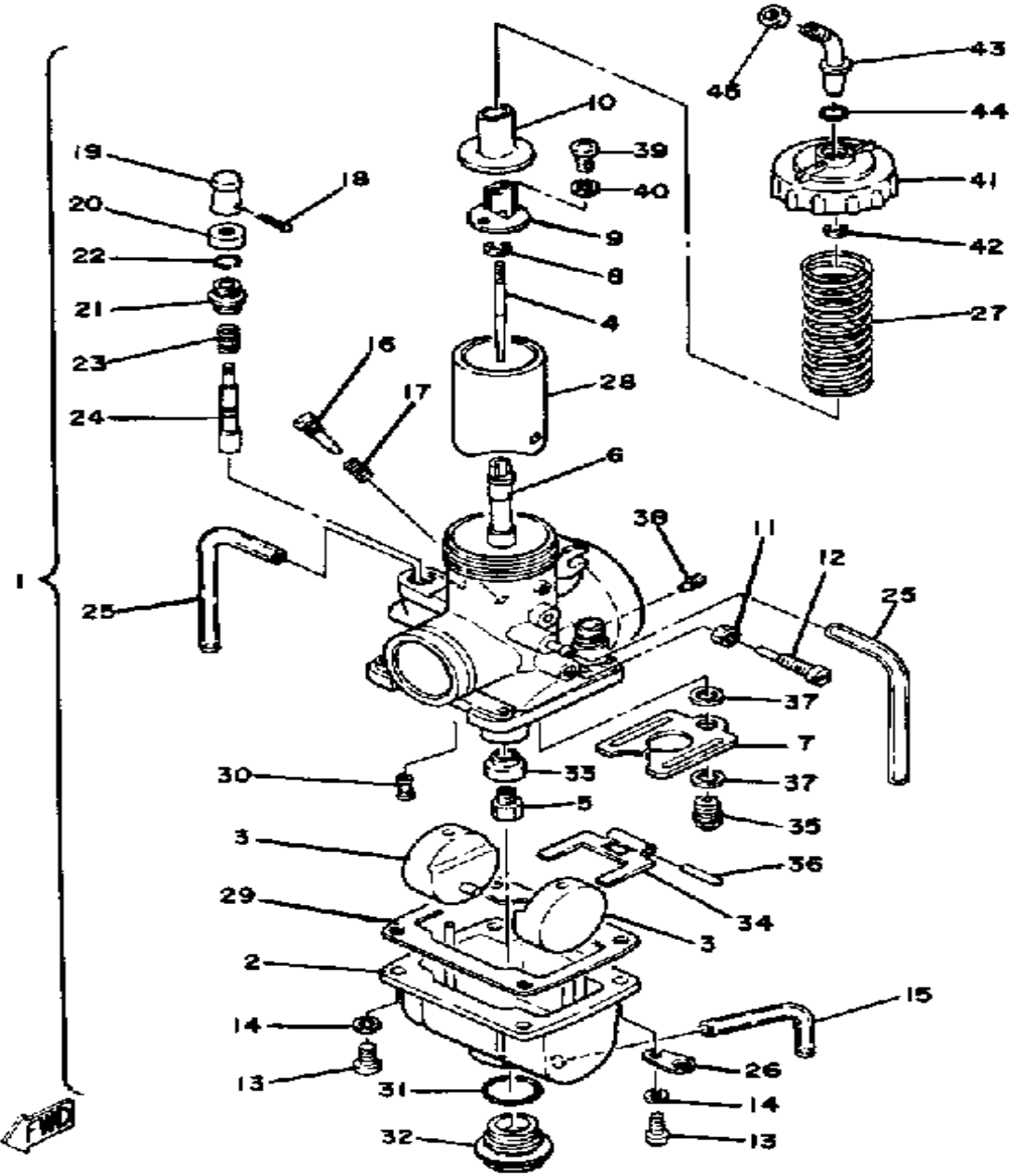
# CARBURETOR YZ125G



Ref. No.	Part Number	Description	Qty	Remarks
1	4V2-14101-00-00	CARBURETOR ASSEMBLY 1	1	
2	(3R3-14181-16-00)	BODY, FLOAT CHMBR 1	1	
3	310-14185-00-00	. FLOAT	2	
4	239-14116-22-00	. NEEDLE	1	
5	137-14143-58-A1	. JET, MAIN (# 290)	1	U.R.
	137-14143-60-A0	. JET, MAIN (# 300)	1	U.R. STD
	137-14143-62-A1	. JET, MAIN (#310)	1	U.R.
6	239-14141-48-00	. NOZZLE, MAIN P 8	1	
7	483-14146-00-00	. PLATE	1	
8	164-14137-00-00	. CLIP	1	
9	509-14274-00-00	. CONNECTOR	1	
10	509-14136-00-00	. SEAT, SPRING	1	
11	802-14161-00-00	. NUT, CABLE ADJUSTING	1	
12	24X-14103-00-00	. THROTTLE SCREW SET	1	
13	98580-05016-00	. SCREW, PAN HEAD	4	
14	92990-05100-00	. WASHER, SPRING	4	
15	2J2-14196-00-00	. PIPE	1	
16	23X-14104-00-00	. AIR SCREW SET	1	
17	127-14134-00-00	. SPRING, AIR ADJUSTING	1	
18	91490-16020-00	. PIN, COTTER	1	
19	737-14261-00-00	. HOLDER	1	
20	637-14173-00-00	. COVER, PLUNGER CAP	1	
21	152-14174-00-00	. CAP, PLUNGER	1	
22	353-14138-00-00	. CLIP, PLUNGER	1	
23	132-14135-00-00	. SPRING, PLUNGER	1	
24	737-14171-01-00	. PLUNGER, STARTER	1	
25	310-14197-00-00	. PIPE	2	
26	313-14146-00-00	. PLATE	2	
27	363-14131-00-00	. SPRING, THROTTLE VALVE	1	

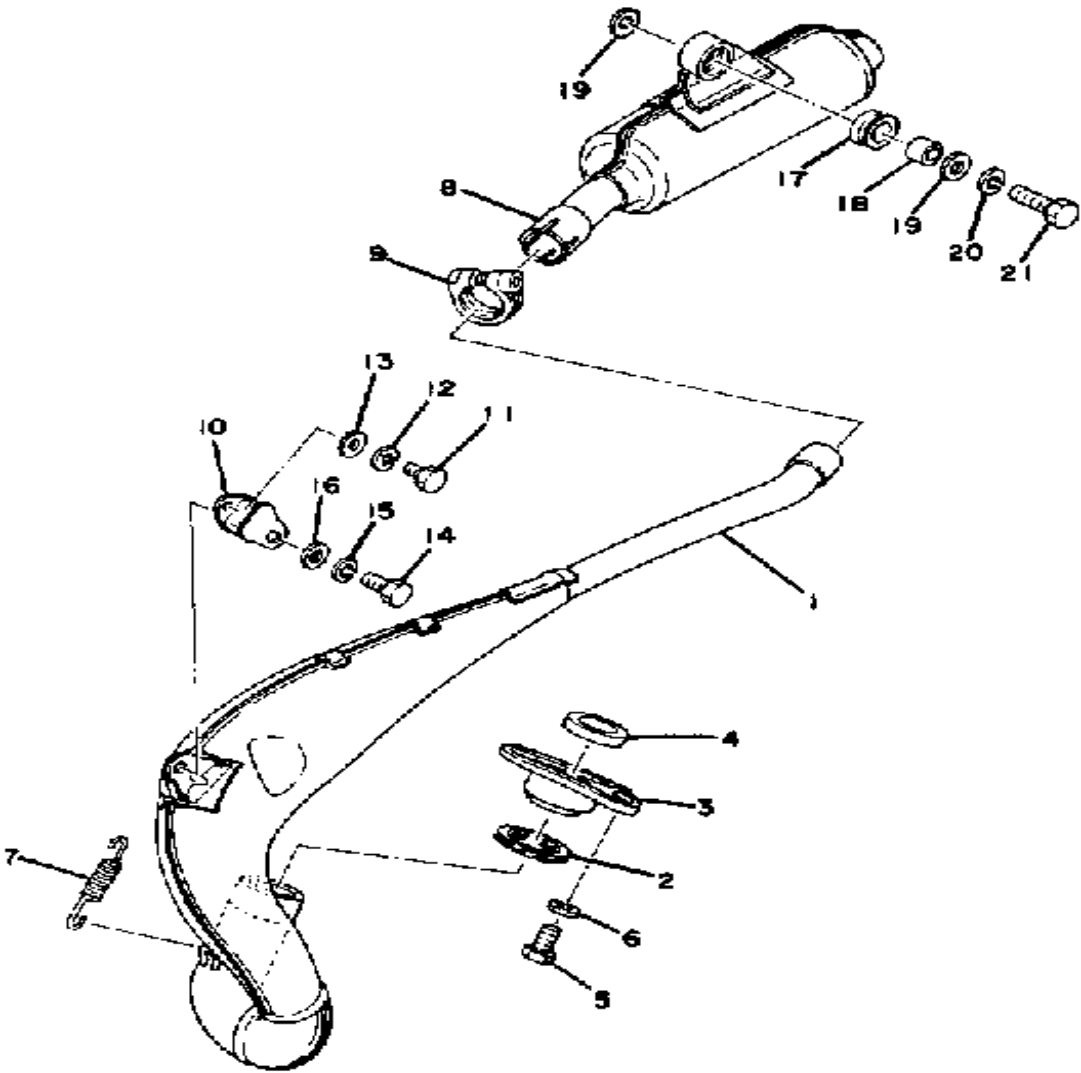
CONTINUED ON NEXT FRAME ➤

# CARBURETOR YZ125G



Ref. No.	Part Number	Description	Qty	Remarks
28	3R3-14112-30-00	. VALVE, THROTTLE 1	1	
29	483-14184-00-00	. GASKET, FLOAT CHMBR	1	
30	193-14142-60-00	. JET, PILOT #60 (60)	1	
31	2K6-14147-00-00	. O-RING	1	
32	2K6-14115-00-00	. PLUG, SCREW	1	
33	3R3-14153-00-00	. WASHER, MAIN JET	1	
34	310-14187-00-00	. ARM, FLOAT	1	
35	24X-14107-33-00	. NEEDLE VALVE SET (#3.3)	1	
36	537-14186-00-00	. PIN, FLOAT	1	
37	239-14195-00-00	. WASHER, NEEDLE VLV	1	
38	239-14172-20-00	. PILOT JET, AIR (2.0)	1	
39	98580-03008-00	. SCREW, PAN HEAD	2	
40	92990-03100-00	. WASHER, SPRING	2	
41	3R3-14158-00-00	. TOP, MIXING CHAMBER	1	
42	363-14137-00-00	. CLIP	1	
43	24X-14106-00-00	. CBLE AJST SCRW SETScrew SET	1	
44	8F2-14147-00-00	. O-RING	1	
45	127-14161-00-00	. NUT, CABLE ADJUSTING	1	

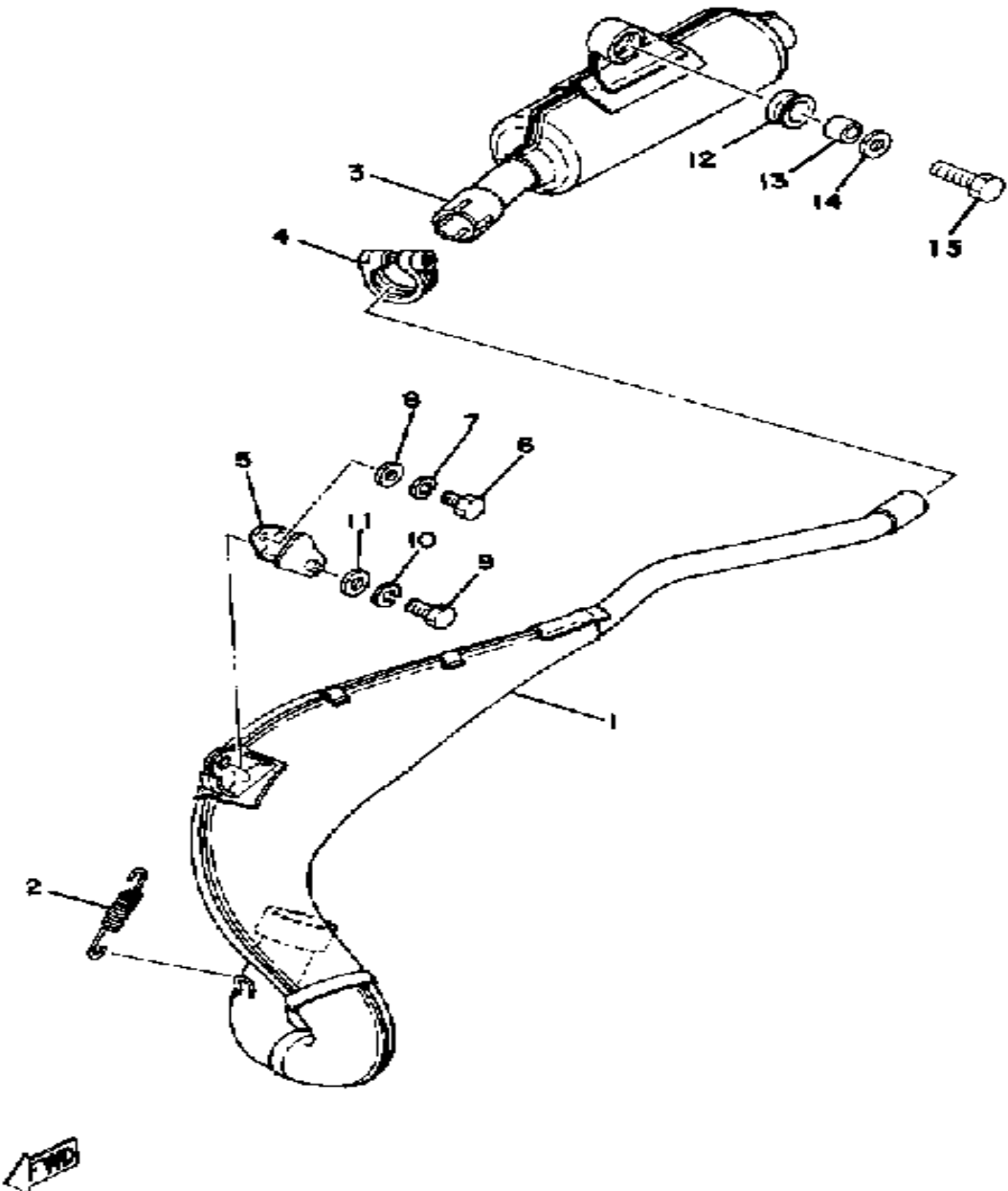
# EXHAUST YZ125E



Ref. No.	Part Number	Description	Qty	Remarks
1	(2K6-14610-00-00)	EXHAUST PIPE ASSEMBLY L .	1	
2	248-14623-00-00	GASKET, EXST PIPE . . . . .	1	
3	2K5-14612-00-00	NUT, RING . . . . .	1	
4	152-14613-00-00	GASKET, EXST PIPE . . . . .	1	
5	97313-06016-00	BOLT, HEXAGON . . . . .	2	
6	92995-06100-00	WASHER, SPRING . . . . .	2	
7	90507-20030-00	SPRING, TENSION . . . . .	1	
8	1W1-14753-01-00	SILENCER, EXHAUST . . . . .	1	
9	537-14788-00-00	BAND, SILENCER . . . . .	1	
10	483-14781-02-00	STAY, MUFFLER 2 . . . . .	1	
11	97313-06016-00	BOLT, HEXAGON . . . . .	1	
12	92995-06100-00	WASHER, SPRING . . . . .	1	
13	92901-06600-00	WASHER, PLATE . . . . .	1	
14	97313-08020-00	BOLT, HEXAGON . . . . .	1	
15	92990-08100-00	WASHER, SPRING . . . . .	1	
16	92901-08600-00	WASHER, PLATE . . . . .	1	
17	565-14747-00-00	DAMPER, MUFFLER . . . . .	1	
18	90387-08258-00	COLLAR . . . . .	1	
19	90201-08753-00	WASHER, PLATE . . . . .	2	
20	92990-08100-00	WASHER, SPRING . . . . .	1	
21	97313-08030-00	BOLT, HEXAGON . . . . .	1	



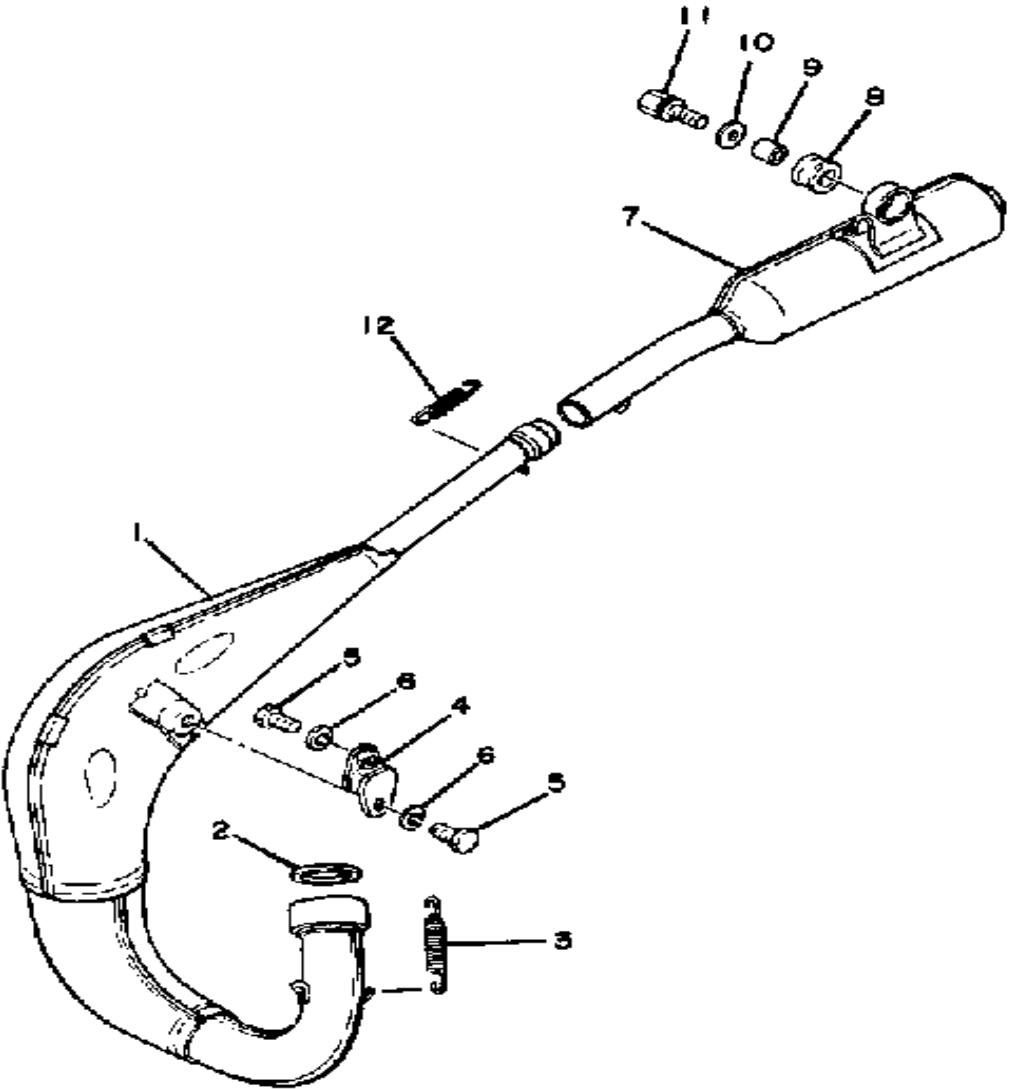
# EXHAUST YZ125F



Ref. No.	Part Number	Description	Qty	Remarks
1	2X3-14610-00-00	EXHAUST PIPE ASSEMBLY L .	1	
2	90507-20030-00	SPRING, TENSION .....	2	
3	2X3-14753-00-00	SILENCER, EXHAUST .....	1	
4	537-14788-00-00	BAND, SILENCER .....	1	
5	483-14781-02-00	STAY, MUFFLER 2 .....	1	
6	97313-06016-00	BOLT, HEXAGON .....	1	
7	92995-06100-00	WASHER, SPRING .....	1	
8	92901-06600-00	WASHER, PLATE .....	1	
9	97313-08020-00	BOLT, HEXAGON .....	1	
10	92990-08100-00	WASHER, SPRING .....	1	
11	92901-08600-00	WASHER, PLATE .....	1	
12	565-14747-00-00	DAMPER, MUFFLER .....	1	
13	90387-08258-00	COLLAR .....	1	
14	90201-08753-00	WASHER, PLATE .....	1	
15	97313-08030-00	BOLT, HEXAGON .....	1	

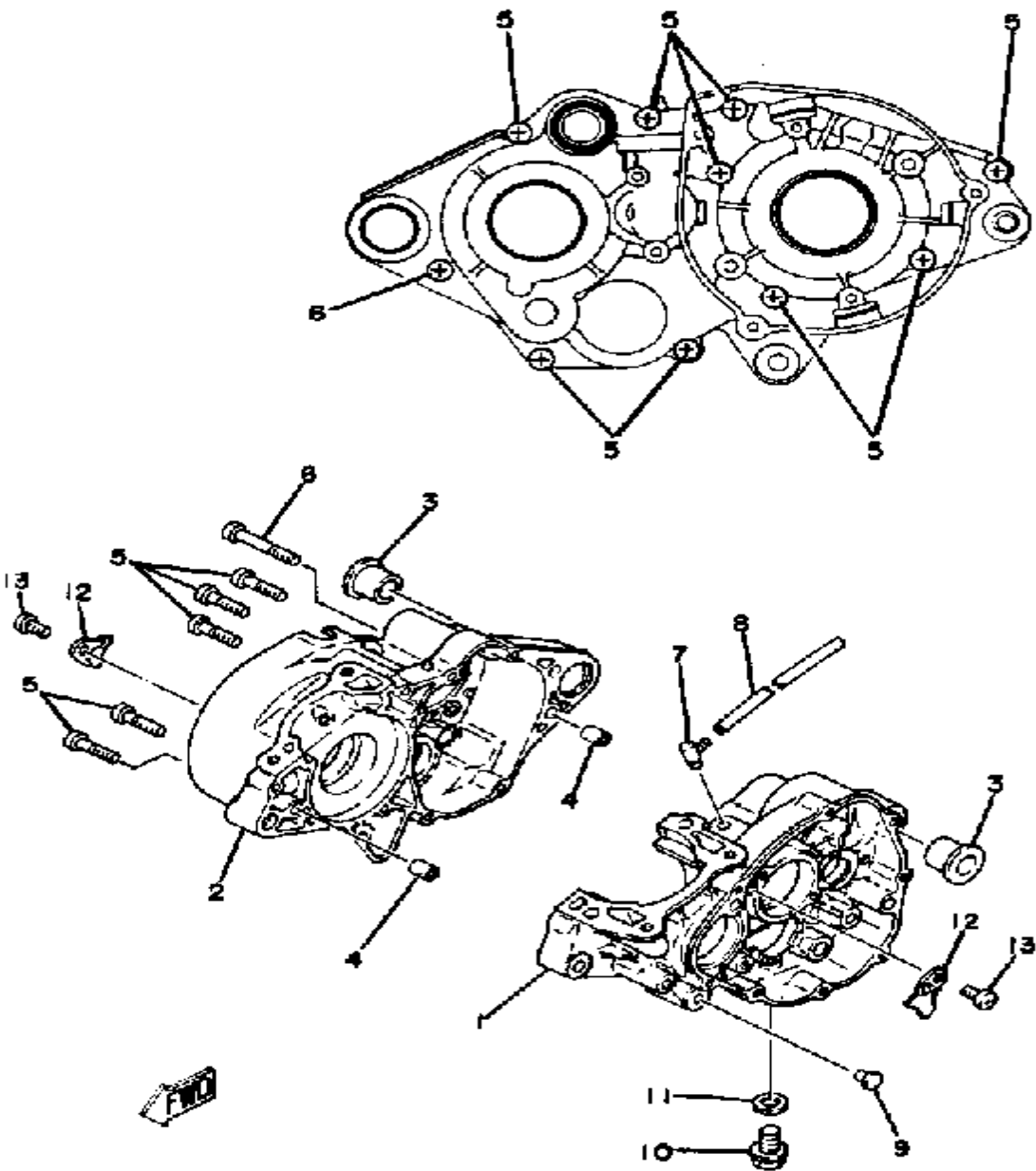
# EXHAUST YZ125G

Ref. No.	Part Number	Description	Qty	Remarks
1	3R3-14610-00-00	EXHAUST PIPE ASSEMBLY L	1	
2	3R3-14613-00-00	GASKET, EXHAUST PIPE	1	
3	90507-20030-00	SPRING, TENSION	2	
4	565-14771-00-00	STAY, MUFFLER 1	1	
5	97013-06012-00	BOLT	2	
6	92995-06100-00	WASHER, SPRING	2	
7	3R3-14753-00-00	SILENCER, EXHAUST	1	
8	90480-22269-00	GROMMET	1	
9	90387-081A3-00	COLLAR	1	
10	90201-085E6-00	WASHER PLATE	1	
11	90109-08512-00	BOLT	1	
12	90506-20192-00	SPRING, TENSION	1	



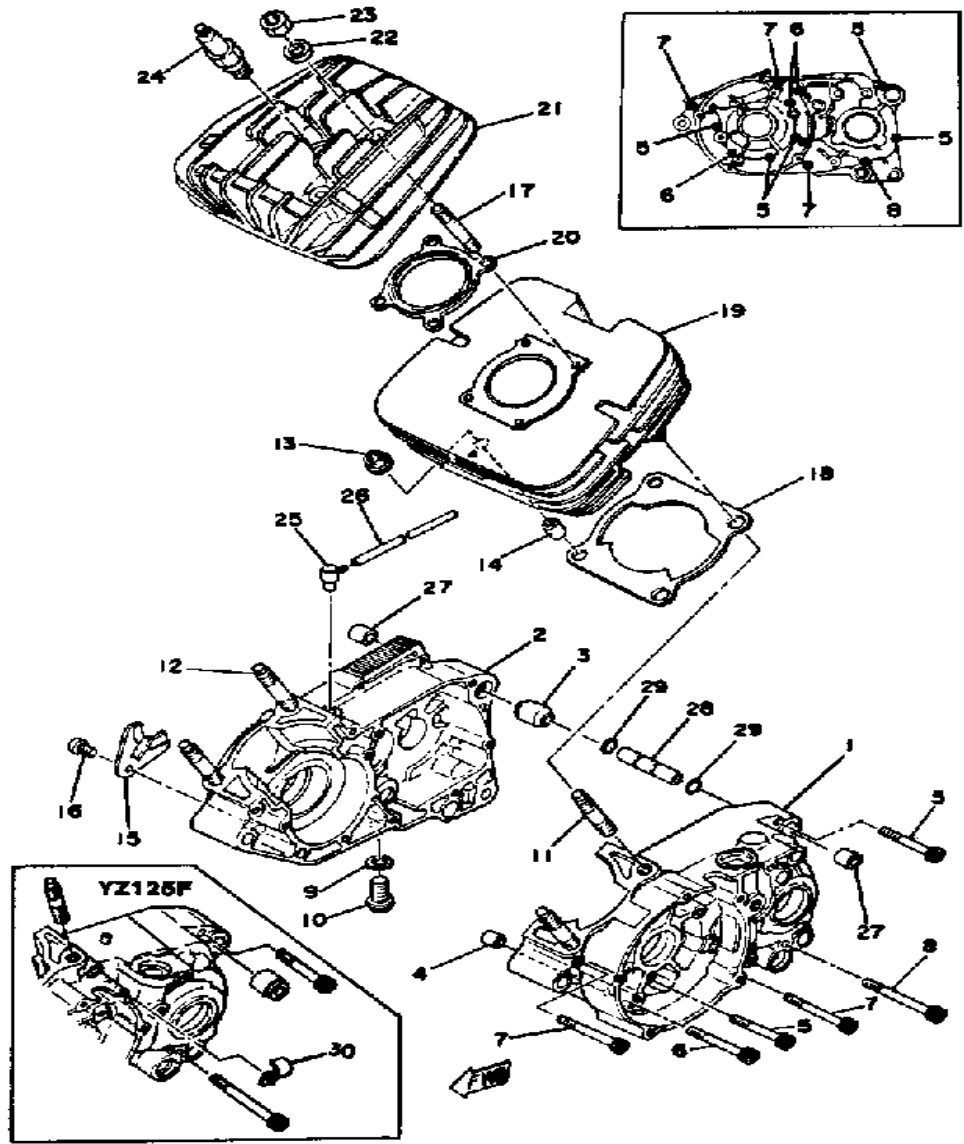
FWD

# CRANKCASE YZ125G



Ref. No.	Part Number	Description	Qty	Remarks
1	(3R3-15111-02-00)	CRANKCASE 1	1	
2	3R3-15121-02-00	CRANKCASE 2 (3R3-15121-01)	1	
3	90387-16781-00	COLLAR	2	
4	99530-10014-00	PIN, DOWEL	2	
5	98516-06030-00	SCREW, PAN HEAD	9	
6	98506-06050-00	SCREW, PAN HEAD	1	
7	2N4-15371-00-00	BREATHER	1	
8	90445-07340-00	HOSE	1	
9	90338-07011-00	PLUG	1	
10	90340-12097-00	PLUG, STRAIGHT SCRW	1	
11	90430-12207-00	GASKET	1	
12	3R3-15128-01-00	HOLDER	2	
13	92501-08010-00	SCREW, PAN HEAD	2	

# CRANKCASE - CYLINDER YZ125E - F

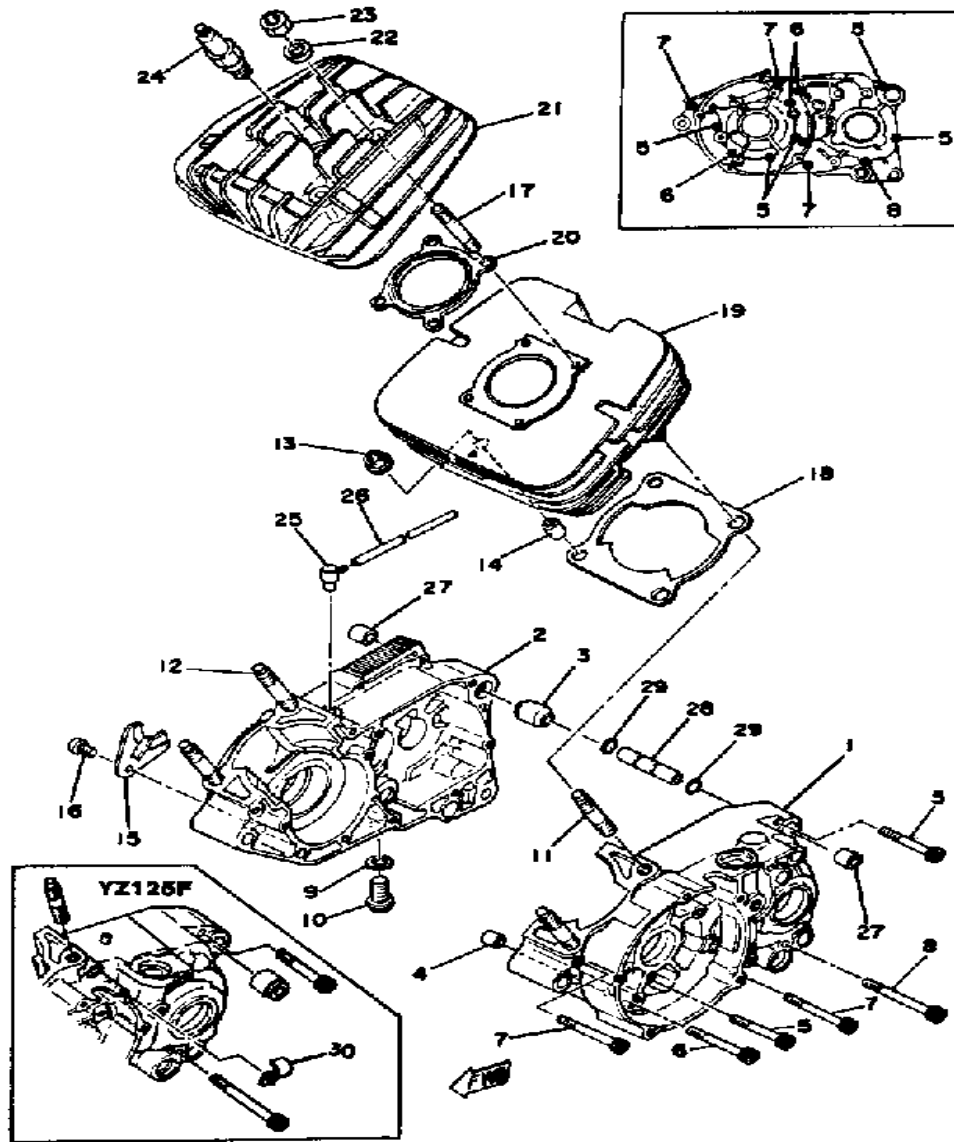


<b>ENGINE TYPE</b>	<b>YZ125E</b>	2-stroke, 7-port, single, reed valve, air-cooled
Bore/Stroke/Number Cylinders/Displacement (cc)		56mm / 50mm / 1 / 123cc
Compression Ratio/Compression Pressure min.~max.		7.4:1 / N/A
Spark Plug Type		Champion N-59G
Spark Plug Gap/Torque/Cap Ω		0.7mm (0.03 in.) / 2.0 m·kg / 0Ω
Timing Static		1.2mm BTDC
Oil Tank or Engine Sump Capacity		Premix 20:1 Yamatube R* & Premium Gasoline

Ref. No.	Part Number	Description	Qty	Remarks
1	1W1-15111-02-00	CRANKCASE 1 (1W1-15111-00)	1	
	2W5-15111-00-00	CRANKCASE 1	1	
2	1W1-15121-02-00	CRANKCASE 2 (1W1-15121-01)	1	
3	99510-20020-00	PIN, DOWEL	1	
4	99530-10014-00	PIN, DOWEL	1	
5	91316-06050-00	BOLT	5	
6	91316-06060-00	BOLT	3	
7	91316-06070-00	BOLT, SOCKET HEAD	3	
8	91316-06075-00	BOLT	1	
9	90430-12207-00	GASKET	1	
10	90340-12005-00	PLUG, STRAIGHT SCREW	1	
11	90116-10278-00	BOLT, STUD	2	
12	90116-10279-00	BOLT, STUD	2	
13	90176-10049-00	NUT, CROWN	4	
14	99530-14016-00	PIN, DOWEL	2	
15	304-15128-00-00	HOLDER	1	
16	92501-08010-00	SCREW, PAN HEAD	1	
17	90116-08104-00	BOLT, STUD	4	
	90116-08321-00	BOLT, STUD	4	
18	18G-11351-01-00	GASKET, CYLINDER	1	
19	2K6-11311-00-00	CYLINDER 1	1	
	2X3-11311-00-00	CYLINDER 1	1	
20	2A6-11181-00-00	GASKET, CYLINDER HEAD 1	1	
	2X3-11181-00-00	GASKET, CYLINDER HEAD 1	1	
21	(2K6-11111-00-00)	HEAD, CYLINDER 1	1	
	2X3-11111-00-00	HEAD, CYLINDER 1	1	
22	90201-08100-00	WASHER, PLATE	4	
23	95333-08600-00	NUT	4	
24	NGK-B10EV-00-00	NGK B10EV 4PK	1	CHAMPION

CONTINUED ON NEXT FRAME ►

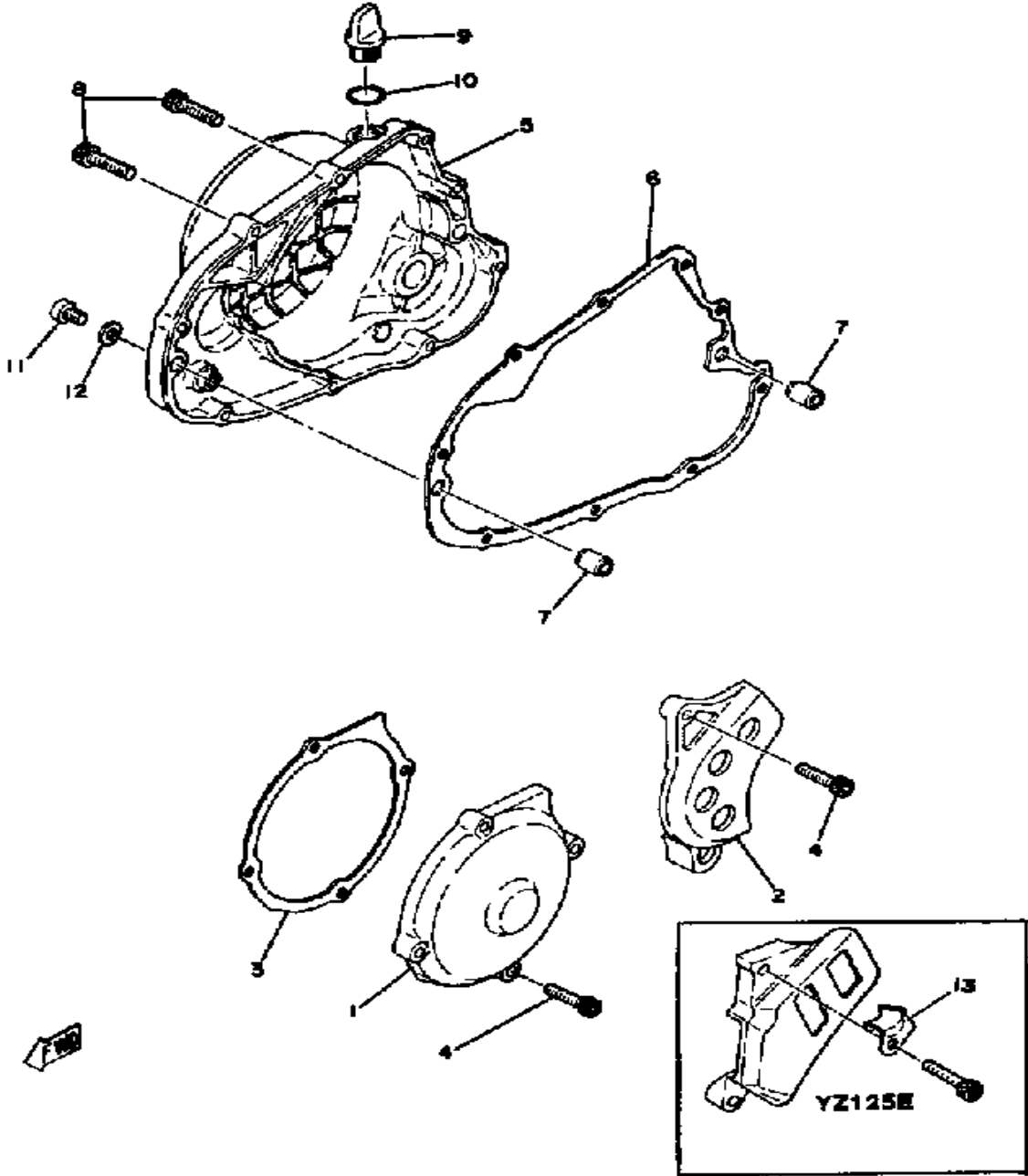
# CRANKCASE - CYLINDER YZ125E - F



Ref. No.	Part Number	Description	Qty	Remarks
25	2N4-15371-00-00	BREATHER .....	1	
	583-15371-00-00	BREATHER .....	1	
26	90445-07177-00	HOSE (395-14197-00) .....	1	
	90445-07340-00	HOSE .....	1	
27	328-15316-00-00	DAMPER, ENG MOUNT 1 (328-15316-00) .....	2	
28	401-15317-00-00	SPACER, ENG MOUNT .....	1	
29	93210-11073-00	O-RING .....	2	
30	90462-06009-00	CLAMP .....	1	

<b>ENGINE TYPE</b>	<b>YZ125E</b>	2-stroke, 7-port, single, reed valve, air-cooled
Bore/Stroke/Number Cylinders/Displacement (cc)		56mm / 50mm / 1 / 123cc
Compression Ratio/Compression Pressure min. ~ max.		7.4:1 / N/A
Spark Plug Type		Champion N-59G
Spark Plug Gap/Torque/Cap Ω		0.7mm (0.03 in.) / 2.0 m·kg / 0Ω
Timing Static		1.2mm BTDC
Oil Tank or Engine Sump Capacity		Premix 20:1 Yamatube R* & Premium Gasoline

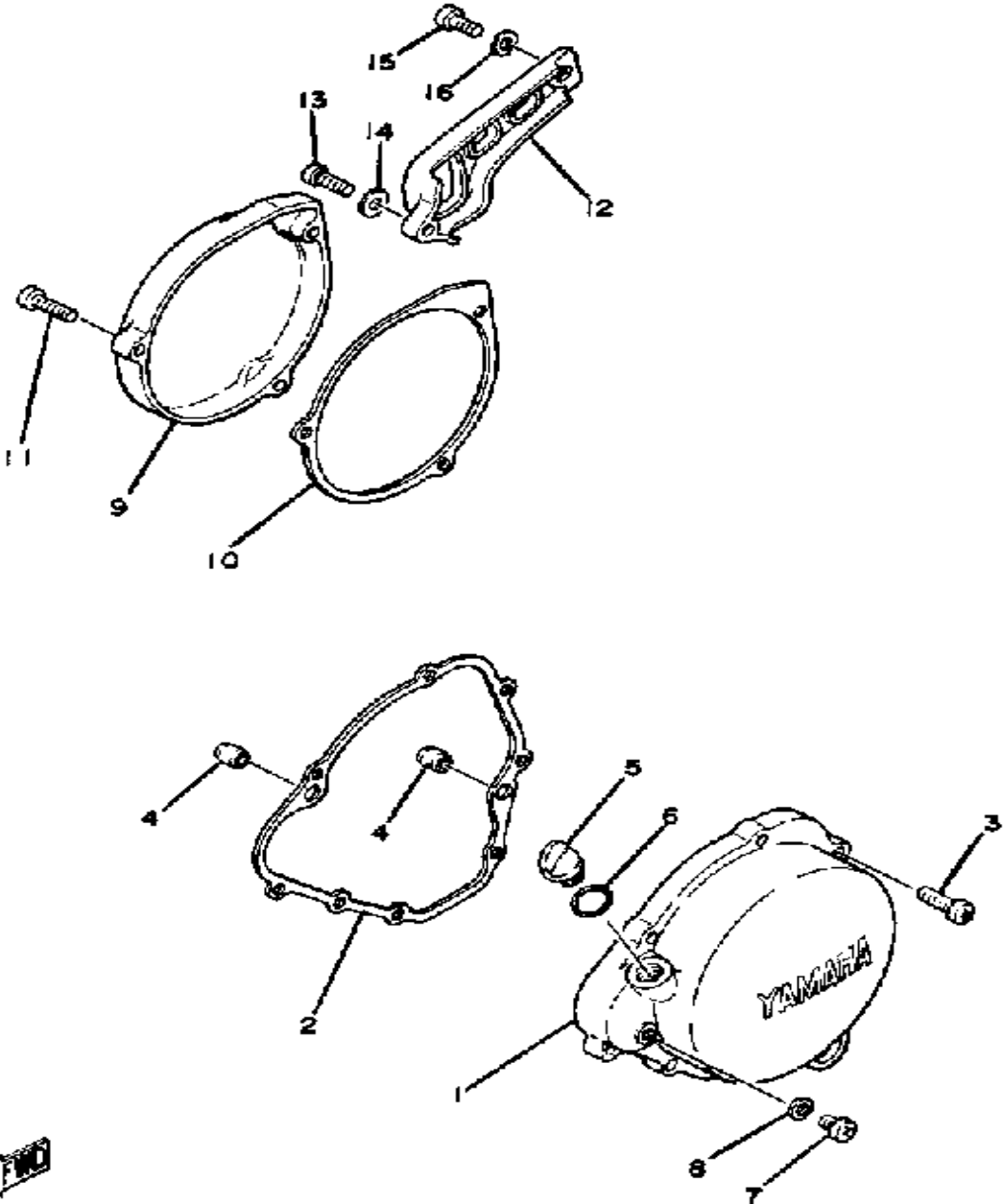
# CRANKCASE COVER YZ125E - F



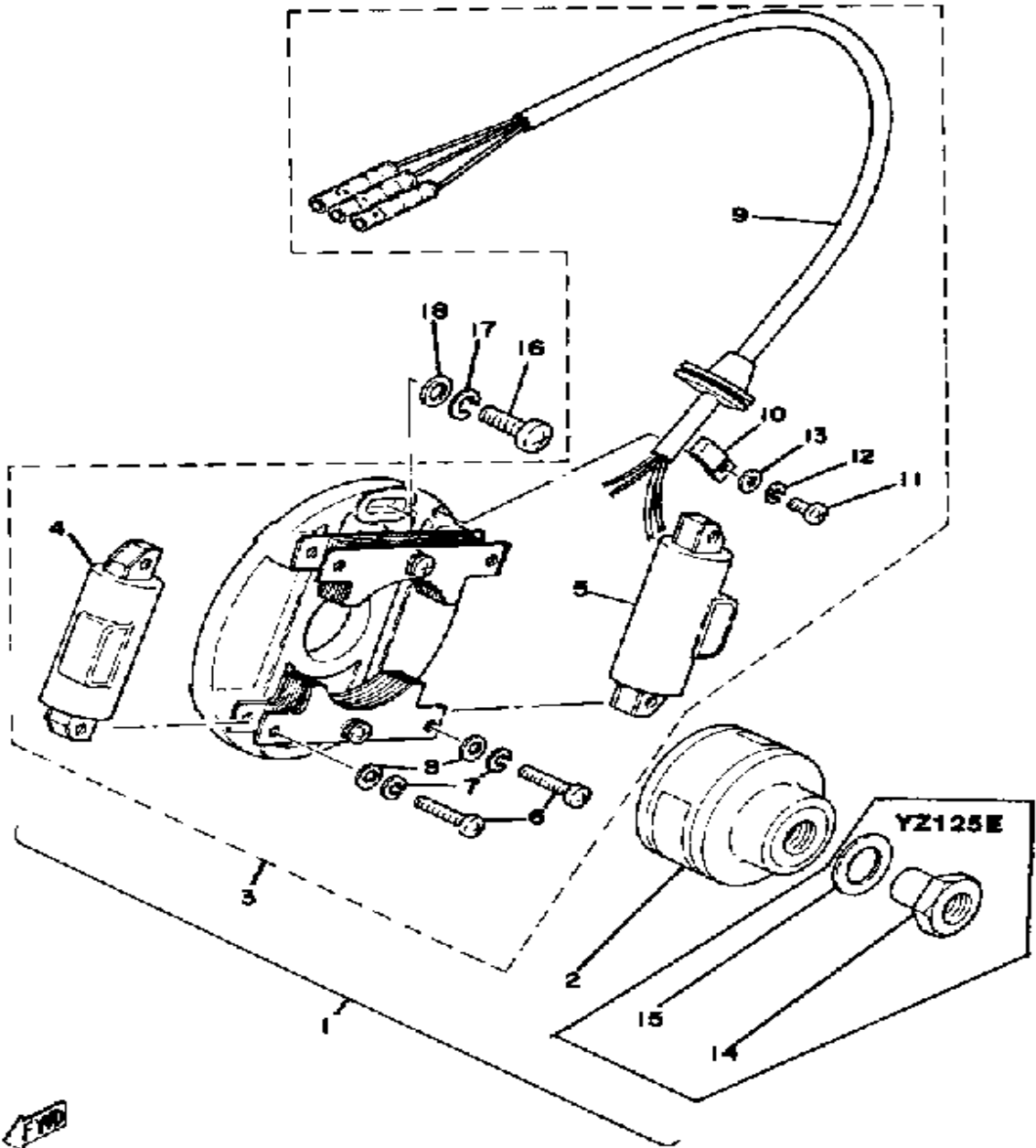
Ref. No.	Part Number	Description	Qty	Remarks
1	1W1-15411-00-00	COVER, CRANKCASE L	1	
	2W5-15411-00-00	COVER, CRANKCASE L	1	
2	1W1-15421-01-00	COVER, CRANKCASE R	1	
	2W5-15421-00-00	COVER, CRANKCASE R	1	
3	1W1-15455-00-00	GASKET 1	1	
	2W5-15455-00-00	GASKET 1	1	
4	90110-06138-00	BOLT, HEX SKT HEAD	5	
	90110-06138-00	BOLT, HEX SKT HEAD	7	
5	1W1-15431-00-00	COVER, CRANKCASE 3	1	
6	18G-15451-01-00	GASKET, CRCS. COVER	1	
7	99530-10014-00	PIN, DOWEL	2	
8	90110-06138-00	BOLT, HEX SKT HEAD	9	
9	1G8-15362-00-00	PLUG, OIL LEVEL	1	
10	93210-14104-00	O-RING	1	
11	98506-06008-00	SCREW, PAN HEAD	1	
12	90430-06016-00	GASKET	1	
13	90465-10119-00	CLAMP	1	

# CRANKCASE COVER YZ125G

Ref. No.	Part Number	Description	Qty	Remarks
1	3R3-15411-01-00	COVER, CRANKCASE L	1	
2	3R3-15451-01-00	GASKET, CRCS COVER	1	
3	98506-06025-00	SCREW, PAN HEAD	8	
4	99530-10014-00	PIN, DOWEL	2	
5	1G8-15362-00-00	PLUG, OIL LEVEL	1	
6	93210-14104-00	O-RING	1	
7	98506-06008-00	SCREW, PAN HEAD	1	
8	90430-06016-00	GASKET	1	
9	3R3-15421-00-00	COVER, CRANKCASE R	1	
10	3R6-15455-00-00	GASKET 1 (3R3-15455-00)	1	
11	98506-06025-00	SCREW, PAN HEAD	3	
12	55Y-15431-00-00	COVER, CRANKCASE 3	1	
13	98503-06014-00	SCREW, PAN HEAD	1	
14	90201-06067-00	WASHER, PLATE	1	
15	98580-06020-00	SCREW, PAN HEAD	1	
16	92990-06200-00	WASHER, PLAIN	1	



# GENERATOR YZ125E - F



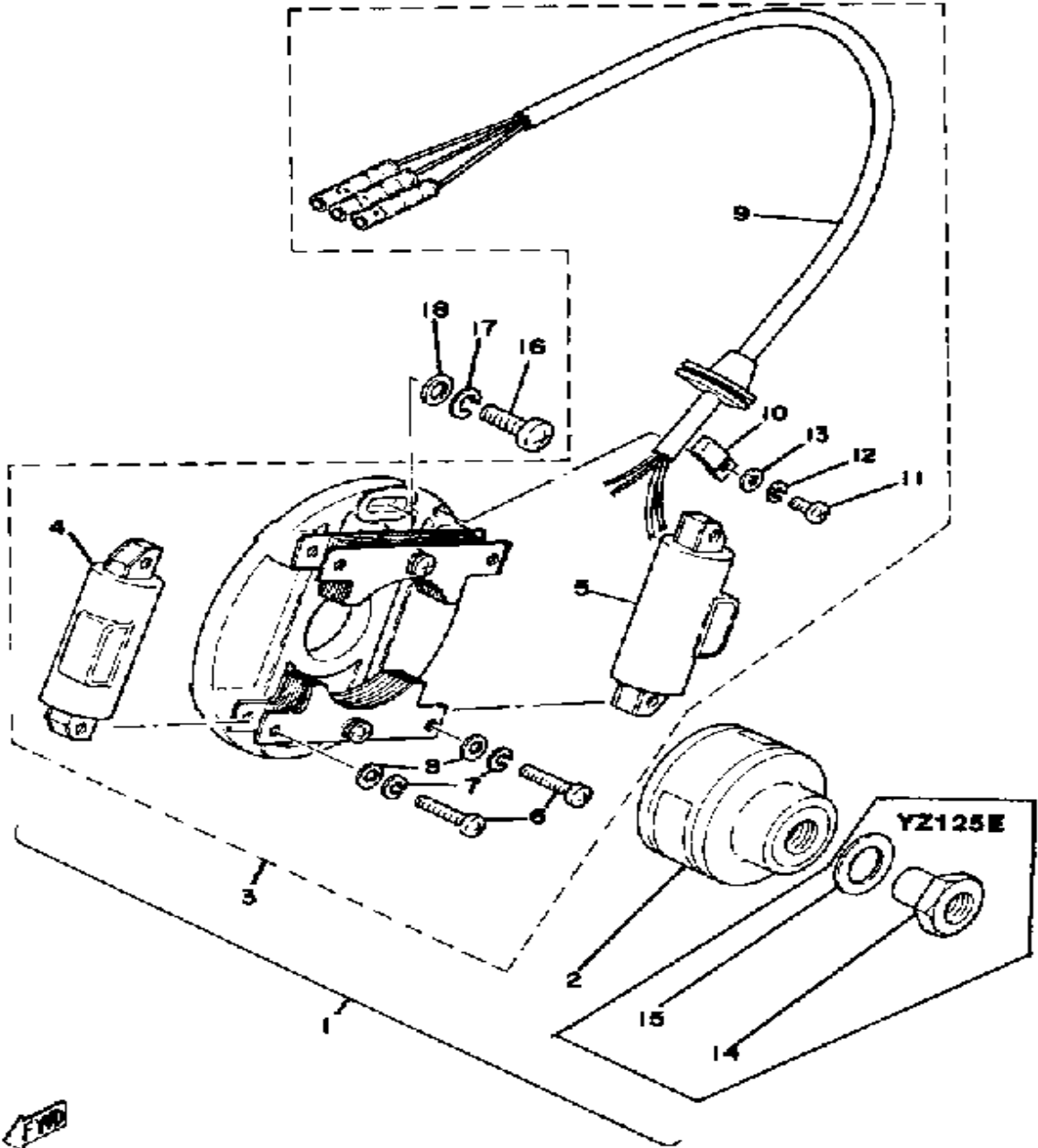
Ref. No.	Part Number	Description	Qty	Remarks
1	2X6-85500-11-00	CDI MAGNETO ASSEMBLY ...	1	
	3V3-85500-10-00	CDI MAGNETO ASSEMBLY ...	1	
2	(1G8-85550-10-00)	ROTOR ASSEMBLY .....	1	
	(2X6-85550-10-00)	ROTOR ASSEMBLY .....	1	
3	(565-85510-10-00)	STATOR ASSEMBLY .....	1	
	2X6-85510-11-00	. STATOR ASSEMBLY (2X6-85510-10) .....	1	
4	2X6-85566-10-00	.. COIL, CHARGE 1 .....	1	
	565-85566-10-00	.. COIL, CHARGE 1 .....	1	
5	2X6-85567-10-00	.. COIL, CHARGE 2 .....	1	
	565-85567-10-00	.. COIL, CHARGE 2 .....	1	
6	98501-05030-00	. SCREW, PAN HEAD .....	6	
	98503-05025-00	.. SCREW, PAN HEAD (98501-05025) .....	4	
7	92990-05100-00	.. WASHER, SPRING .....	4	
	92990-05100-00	.. WASHER, SPRING .....	6	
8	92901-05600-00	.. WASHER, PLATE .....	4	
	92901-05600-00	.. WASHER, PLATE .....	6	
9	2X6-85515-10-00	.. LEAD WIRE ASSEMBLY ...	1	
	565-85515-10-00	.. LEAD WIRE ASSEMBLY ...	1	
10	109-81328-11-00	.. CLAMP .....	1	
11	98580-04008-00	.. SCREW, PAN HEAD .....	1	
12	92901-04100-00	.. WASHER, SPRING .....	1	
13	92901-04600-00	.. WASHER, PLATE .....	1	
14	322-85553-10-00	. NUT, ROTOR .....	1	
15	322-85554-10-00	. WASHER, ROTOR .....	1	
16	98580-06020-00	SCREW, PAN HEAD .....	2	
17	92995-06100-00	WASHER, SPRING .....	2	
18	90201-06643-00	WASHER, PLATE .....	2	

CONTINUED ON NEXT FRAME ►

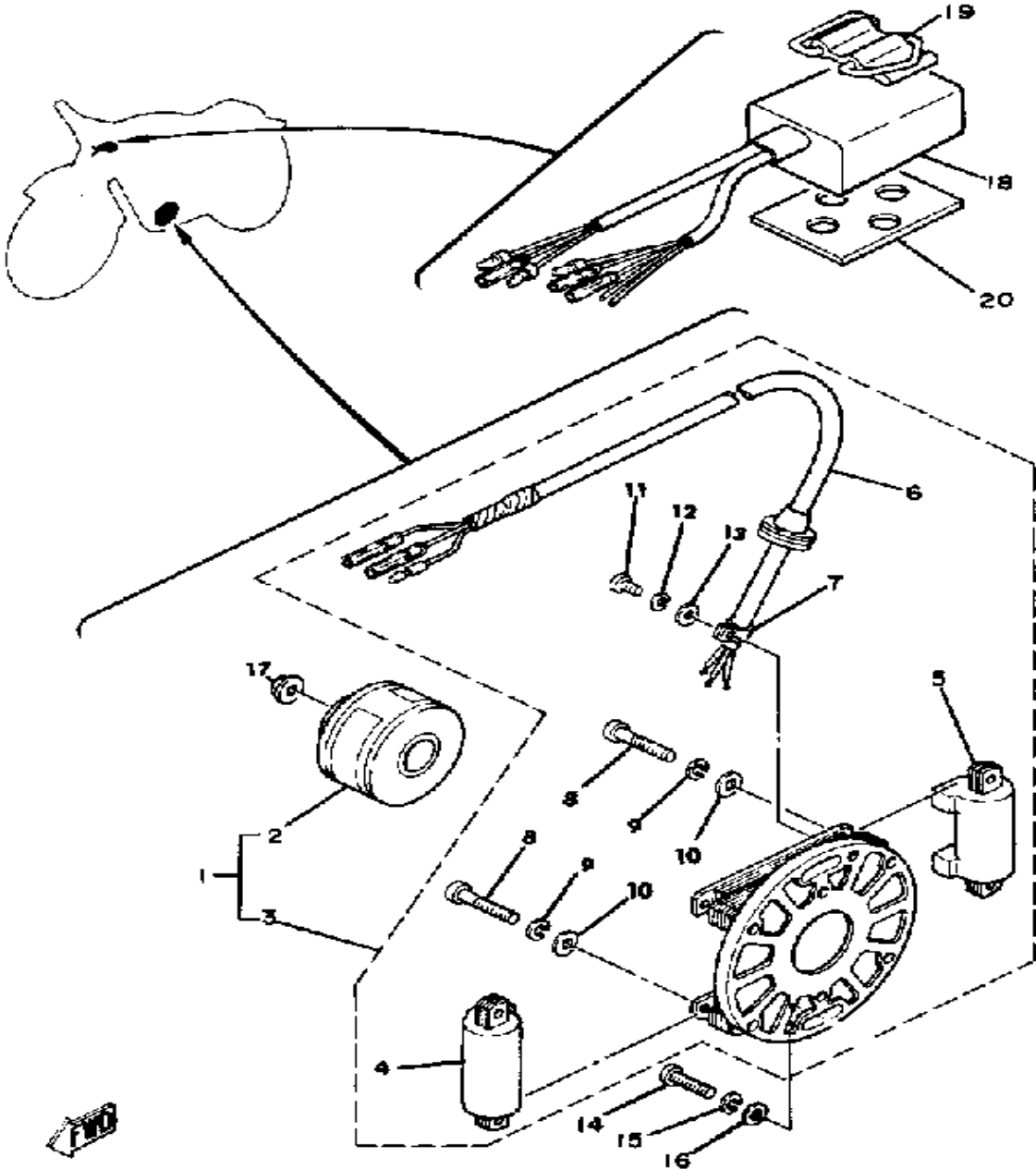


# GENERATOR YZ125E - F

Ref. No.	Part Number	Description	Qty	Remarks
18	92901-06600-00	WASHER, PLATE .....	2	

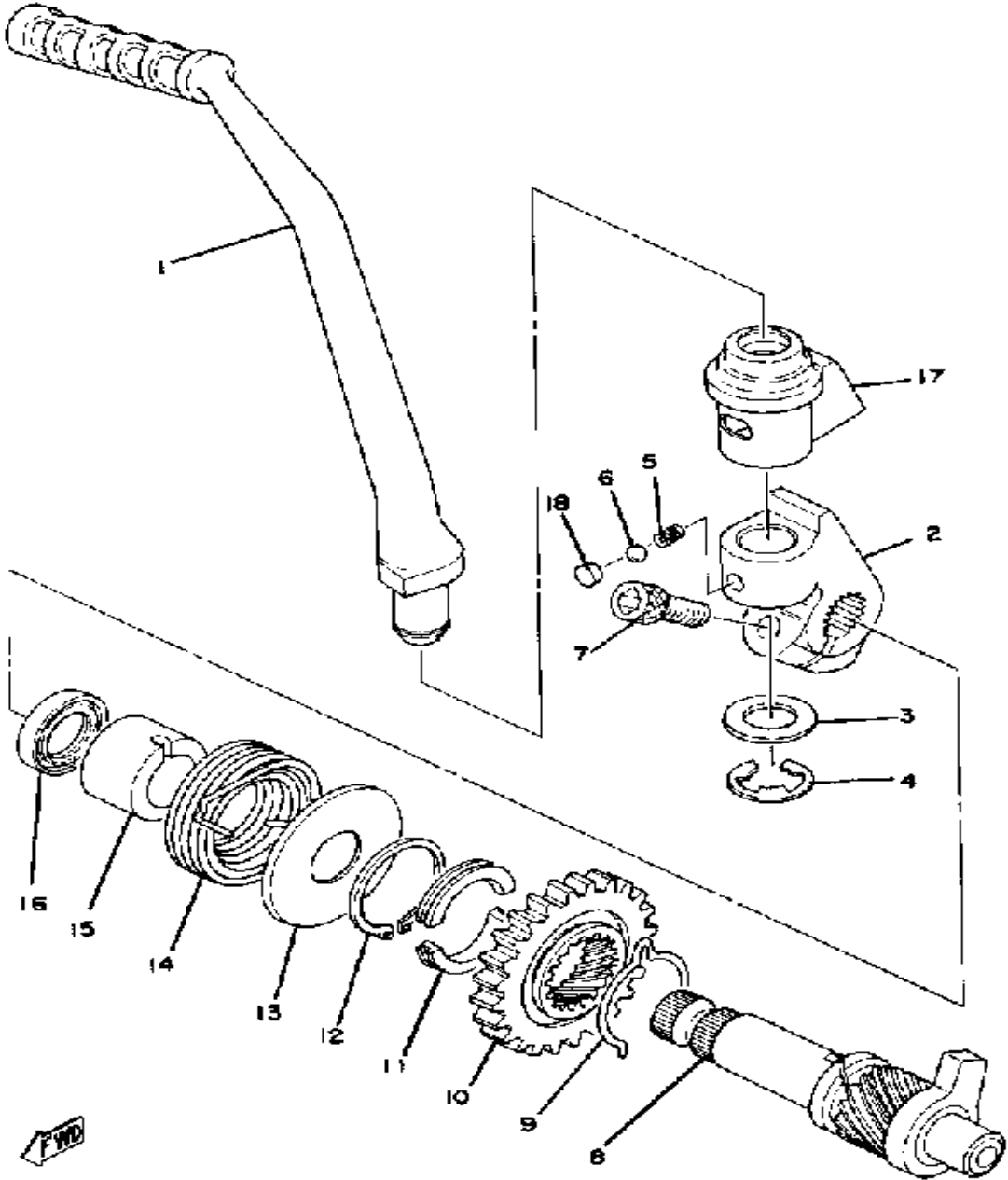


# GENERATOR YZ125G



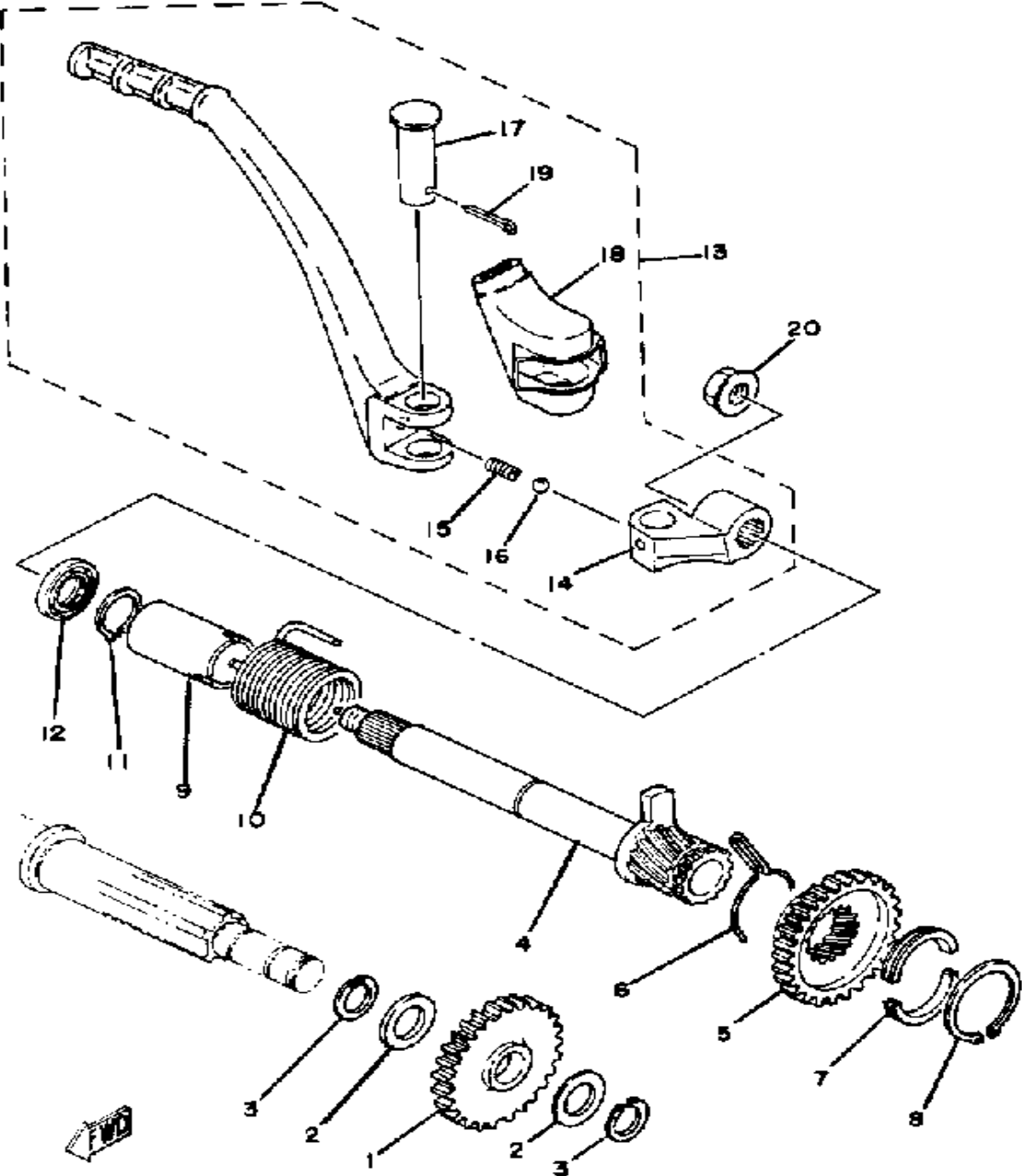
Ref. No.	Part Number	Description	Qty	Remarks
1	(3R3-85500-11-00)	CDI MAGNETO ASSEMBLY ...	1	
2	(3R3-85550-10-00)	ROTOR ASSEMBLY .....	1	
3	(3R3-85510-11-00)	STATOR ASSEMBLY .....	1	
4	2X6-85566-10-00	.. COIL, CHARGE 1 .....	1	
5	3R3-85567-10-00	.. COIL, CHARGE 2 .....	1	
6	2X6-85515-10-00	.. LEAD WIRE ASSEMBLY ...	1	
7	109-81328-11-00	.. CLAMP .....	1	
8	98501-05030-00	.. SCREW, PAN HEAD .....	1	
9	92990-05100-00	.. WASHER, SPRING .....	6	
10	92901-05600-00	.. WASHER, PLATE .....	6	
11	98580-04008-00	.. SCREW, PAN HEAD .....	1	
12	92901-04100-00	.. WASHER, SPRING .....	1	
13	92901-04600-00	.. WASHER, PLATE .....	1	
14	98580-06020-00	SCREW, PAN HEAD .....	2	
15	92995-06100-00	WASHER, SPRING .....	2	
16	92901-06600-00	WASHER, PLATE .....	2	
17	90179-10257-00	NUT, SPEC'L SHAPE .....	1	
18	3R3-85540-10-00	CDI UNIT ASSEMBLY .....	1	
19	122-82131-00-00	BAND, BATTERY .....	1	
20	1M2-85547-00-00	DAMPER .....	1	

# STARTER YZ125E - F



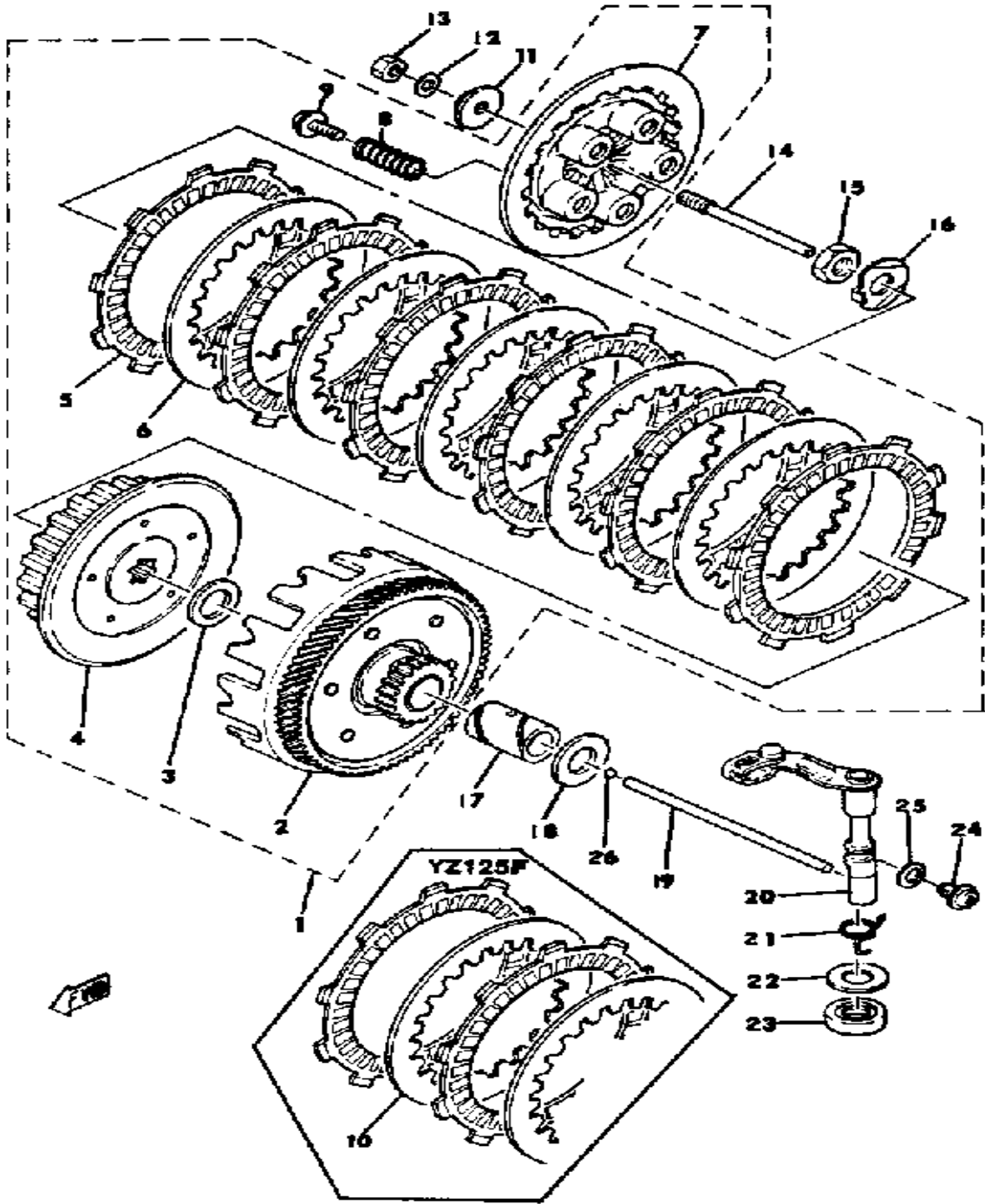
Ref. No.	Part Number	Description	Qty	Remarks
1	1W1-15620-01-00	KICK CRANK ASSEMBLY (1W1-15611-02-33)	1	YAMAHA BLK
2	1W1-15621-01-00	BOSS, KICK CRANK	1	
3	90201-12541-00	WASHER, PLATE	1	
4	93430-08007-00	CIRCLIP	1	
5	90501-10459-00	SPRING, COMPRESSION	1	
6	93503-16010-00	BALL	1	
7	91316-08025-00	BOLT, SOCKET HEAD	1	
8	1W1-15660-00-00	KICK AXLE ASSEMBLY	1	
9	90468-26048-00	CLIP	1	
10	1W1-15641-00-00	GEAR, KICK (27T)	1	
11	248-15654-00-00	HOLDER, KICK GEAR	2	
12	99009-30400-00	CIRCLIP	1	
13	401-15676-00-00	COVER, SPRING	1	
14	90508-26346-00	SPRING, TORSION	1	
15	1W1-15666-00-00	SPACER	1	
16	93101-17062-00	OIL SEAL	1	
17	1W1-15618-01-00	COVER, KICK LEVER	1	
18	90336-06030-00	PLUG, TAPER	1	

# STARTER YZ125G



Ref. No.	Part Number	Description	Qty	Remarks
1	3R3-15651-01-00	GEAR, KICK IDLE	1	
2	137-17417-00-05	SHIM 1 (0.5T)	2	
3	93440-15012-00	CIRCLIP	2	
4	3R3-15660-00-00	KICK AXLE ASSEMBLY	1	
5	3R3-15641-00-00	GEAR, KICK	1	
6	90468-26048-00	CLIP	1	
7	248-15654-00-00	HOLDER, KICK GEAR	2	
8	99009-30400-00	CIRCLIP	1	
9	3R3-15666-00-00	SPACER	1	
10	90508-26427-00	SPRING, TORSION	1	
11	93410-17037-00	CIRCLIP	1	
12	93101-17062-00	OIL SEAL	1	
13	3R3-15620-00-00	KICK CRANK ASSEMBLY	1	
14	3R3-15621-01-00	. BOSS, KICK CRANK	1	
15	90501-12081-00	. SPRING, COMPRESSION	1	
16	93507-32031-00	. BALL 7/ 2	1	
17	91702-12040-00	. PIN, CLEVIS	1	
18	3R3-15618-01-00	. COVER, KICK LEVER	1	
19	91401-40020-00	. PIN, COTTER	1	
20	95701-10500-00	NUT, FLANGE	1	

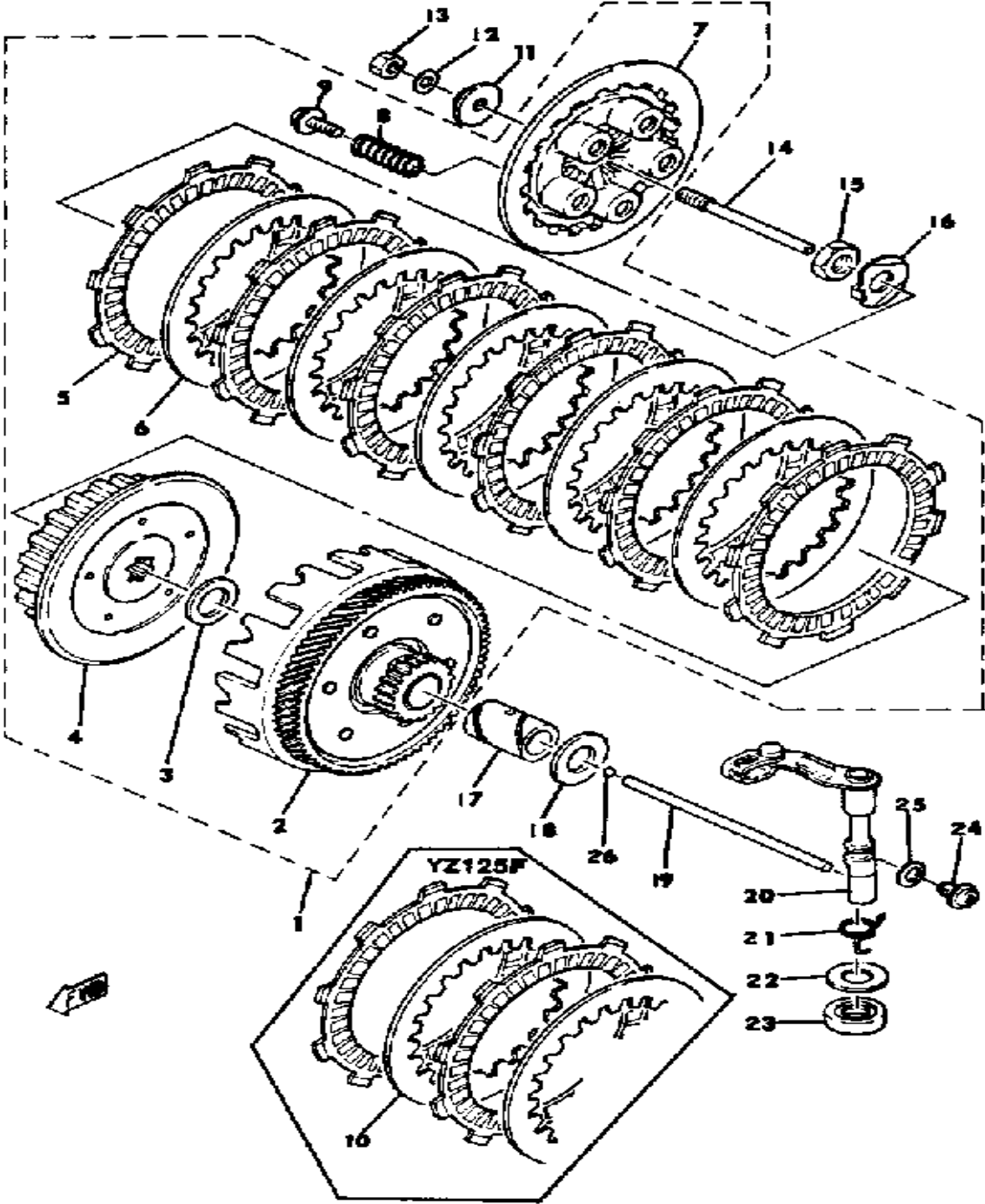
# CLUTCH YZ125E - F



Ref. No.	Part Number	Description	Qty	Remarks
1	(1W1-16301-01-00)	CLUTCH ASSEMBLY	1	
	(2X3-16300-00-00)	CLUTCH ASSEMBLY	1	
2	1W1-16150-01-00	. PRIMARY DRIVEN GEAR COMP. (71T)	1	
3	90201-174E1-00	. WASHER, PLATE	1	
4	1G8-16371-00-00	. BOSS, CLUTCH	1	
5	537-16321-00-00	. PLATE, FRICTION	5	
	537-16321-00-00	. PLATE, FRICTION	6	
6	137-16325-70-00	. PLATE, CLUTCH 2	1	
	137-16325-70-00	. PLATE, CLUTCH 2	5	
7	1W1-16351-00-00	. PLATE, PRESSURE 1	1	
8	90501-20122-00	. SPRING, COMPRESSION (137-16333-00)	5	
	90501-20361-00	. SPRING, COMPRESSION	5	
9	90159-05011-00	. SCREW, WITH WASHER	5	
10	137-16325-00-00	. PLATE, CLUTCH 2	4	
11	30X-16358-00-00	PLATE, PUSH	1	
12	92990-06200-00	WASHER, PLAIN	1	
13	95380-06600-00	NUT, HEXAGON	1	
14	1W1-16356-02-00	ROD, PUSH 1	1	
15	90170-14171-00	NUT	1	
16	90215-14204-00	WASHER, LOCK	1	
17	90560-17147-00	SPACER	1	
18	90201-174E1-00	WASHER, PLATE	1	
19	1W1-16357-00-00	ROD, PUSH 2	1	
	2X3-16357-00-00	ROD, PUSH 2	1	
20	(1W1-16380-00-00)	PUSH LEVER ASSEMBLY	1	
	2X3-16380-01-00	PUSH LEVER ASSEMBLY	1	
21	90508-20345-00	SPRING, TORSION	1	

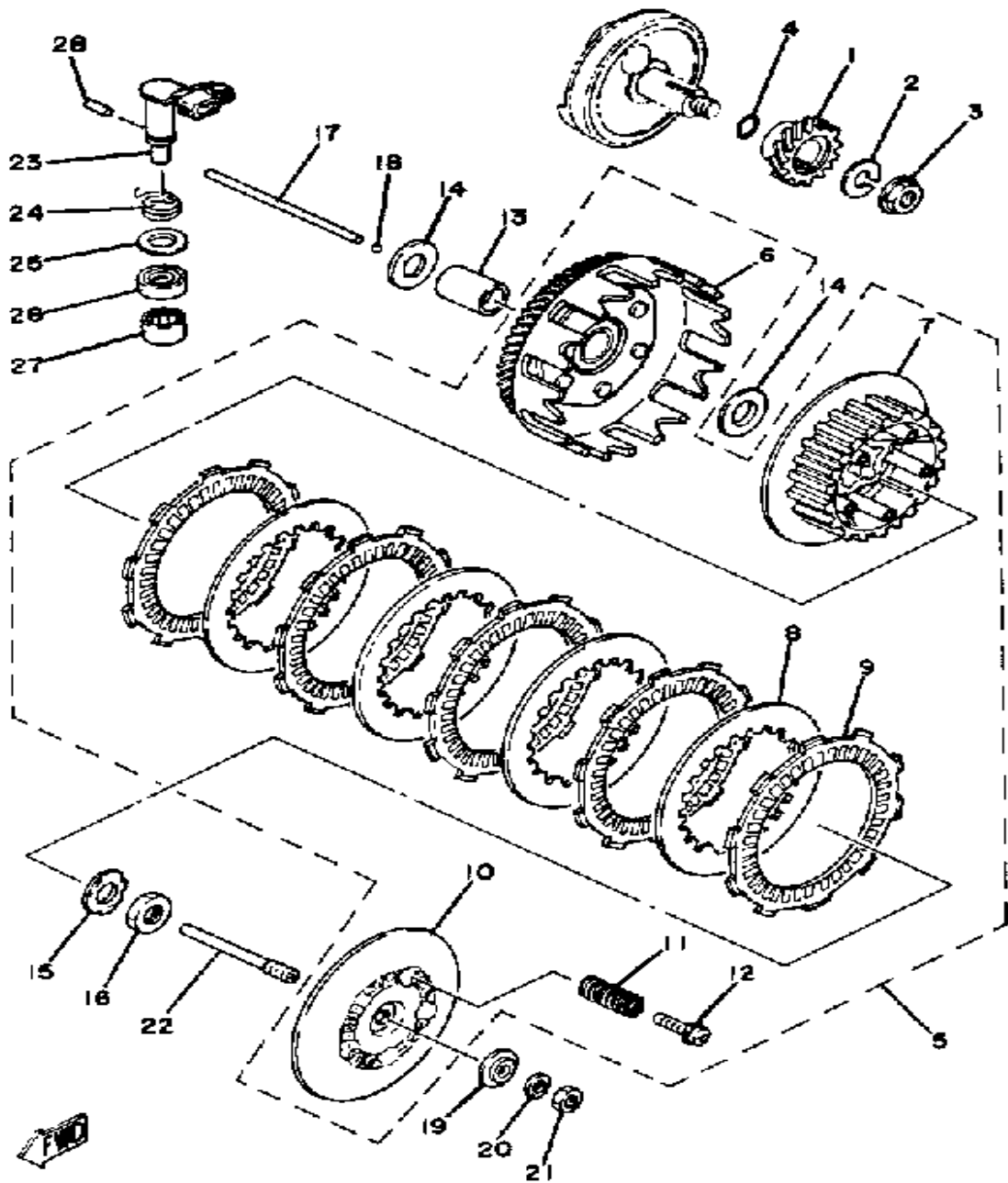
CONTINUED ON NEXT FRAME ►

# CLUTCH YZ125E - F



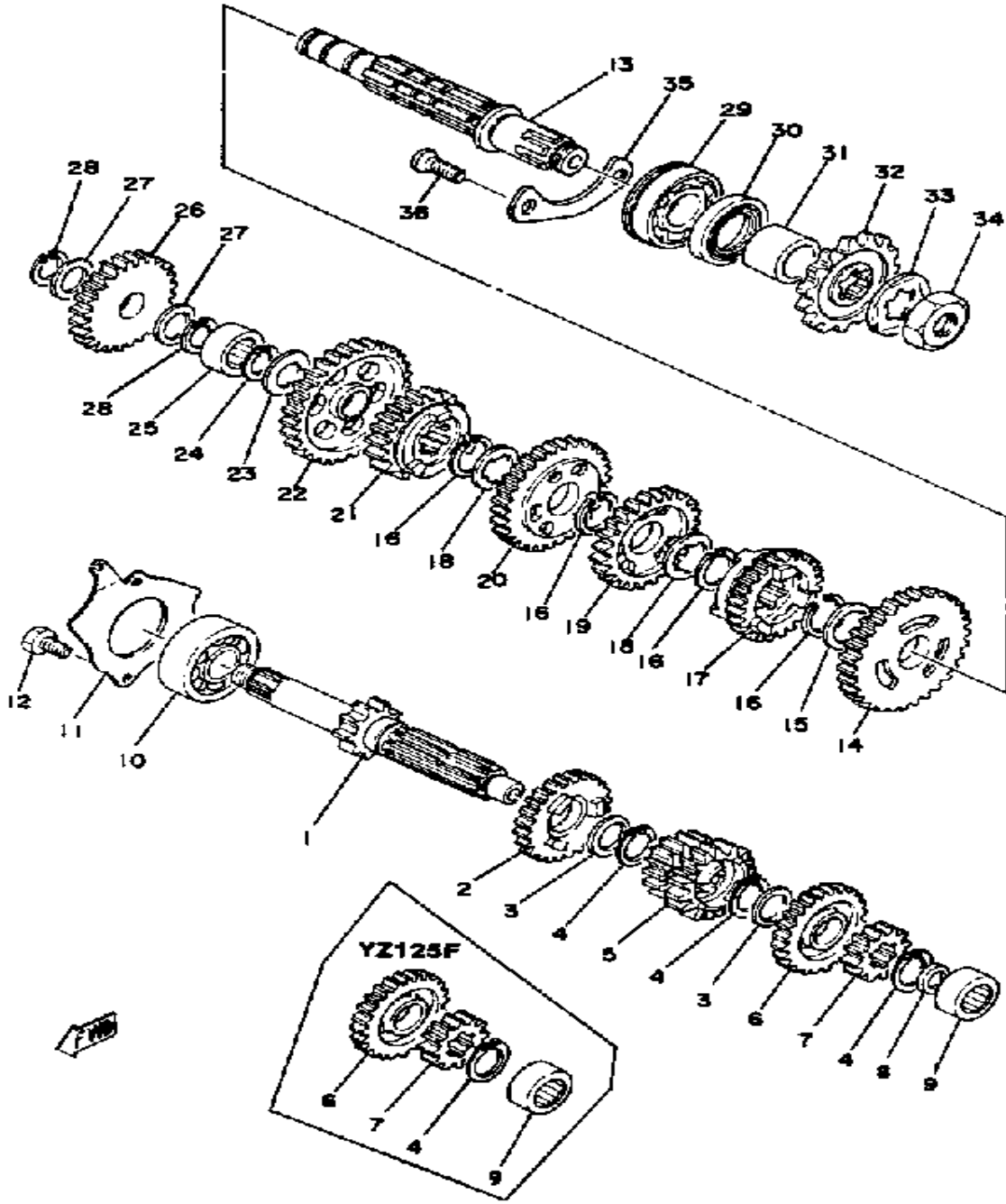
Ref. No.	Part Number	Description	Qty	Remarks
22	90201-14217-00	WASHER, PLATE .....	1	
23	93104-14059-00	OIL SEAL .....	1	
24	90149-08108-00	SCREW, SPEC'L SHAPE .....	1	
25	90430-08069-00	GASKET .....	1	
26	93503-16010-00	BALL .....	1	

# CLUTCH YZ125G



Ref. No.	Part Number	Description	Qty	Remarks
1	3R3-16111-00-00	GEAR, PRI DRIVE (18T)	1	
2	90204-12007-00	WASHER, SPRING	1	
3	90179-12335-00	NUT	1	
4	93210-20027-00	O-RING	1	
5	(3R3-16300-00-00)	CLUTCH ASSEMBLY	1	
	3R3-16150-00-00	. PRI DRVN GEAR (62T)	1	
7	1G8-16371-00-00	. BOSS, CLUTCH	1	
8	3R3-16325-00-00	. PLATE, CLUTCH 2	4	
9	537-16321-00-00	. PLATE, FRICTION	5	
10	1W1-16351-00-00	. PLATE, PRESSURE 1	1	
11	90501-20361-00	. SPRING, COMPRESSION	5	
12	90159-05011-00	. SCREW, WITH WASHER	5	
13	90560-17190-00	SPACER	1	
14	90201-174E1-00	WASHER, PLATE	2	
15	90215-14204-00	WASHER, LOCK	1	
16	90170-14171-00	NUT	1	
17	2X3-16357-00-00	ROD, PUSH 2	1	
18	93503-16010-00	BALL	1	
19	30X-16358-00-00	PLATE, PUSH	1	
20	92990-06200-00	WASHER, PLAIN	1	
21	95380-06600-00	NUT, HEXAGON	1	
22	1W1-16356-02-00	ROD, PUSH 1	1	
23	3R3-16380-02-00	PUSH LEVER ASSEMBLY	1	
24	90508-14426-00	SPRING, TORSION	1	
25	90201-14217-00	WASHER, PLATE	1	
26	93104-14059-00	OIL SEAL	1	
27	93315-21429-00	BEARING	1	
28	93604-16092-00	PIN, DOWEL	1	

# TRANSMISSION YZ125E - F

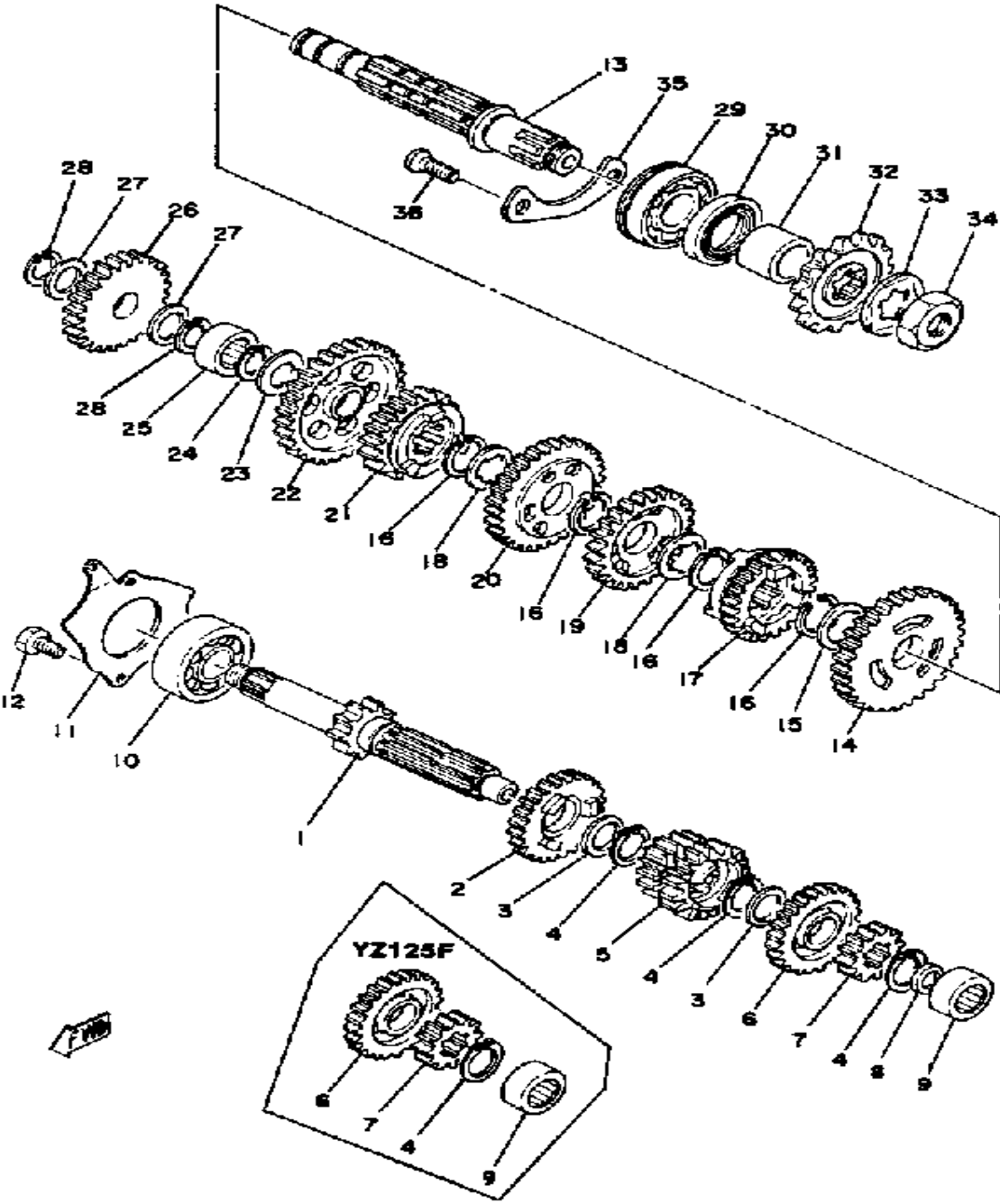


Ref. No.	Part Number	Description	Qty	Remarks
1	1W1-17411-00-00	AXLE, MAIN	1	
2	2W5-17151-00-00	GEAR, 5TH PINION	1	
3	90201-20266-00	WASHER, PLATE (1.0T)	2	
4	93410-20038-00	CIRCLIP	3	
5	2W5-17131-00-00	GEAR, 3RD PINION	1	
6	(2W5-17161-00-00)	GEAR, 6TH PINION	1	
7	1W1-17121-00-00	GEAR, 2ND PINION	1	
8	90201-15701-00	WASHER, PLATE (1.0T)	1	
9	93311-41530-00	BEARING	1	
10	93306-30309-00	BEARING	1	
11	1W1-17471-01-00	PLATE, COVER	1	
12	97013-06012-00	BOLT	2	
13	1W1-17421-00-00	AXLE, DRIVE	1	
14	2W5-17221-00-00	GEAR, 2ND WHEEL (1W1-17221-00)	1	
15	90201-22555-00	WASHER, PLATE	1	
16	93410-22039-00	CIRCLIP	4	
17	2W5-17261-00-00	GEAR, 6TH WHEEL	1	
18	90209-18135-00	WASHER	2	
19	2W5-17241-00-00	GEAR, 4TH WHEEL	1	
20	2W6-17231-01-00	GEAR, 3RD WHEEL	1	
21	2W5-17251-00-00	GEAR, 5TH WHEEL	1	
22	1W1-17211-01-00	GEAR, 1ST WHEEL	1	
23	90201-15701-00	WASHER, PLATE (1.0T)	1	
24	93440-15012-00	CIRCLIP	1	
25	93311-31567-00	BEARING, CYLINDRICAL	1	
26	525-15651-00-00	GEAR, KICK IDLE (25T)	1	
27	137-17417-00-05	SHIM 1 (0.5T)	2	
28	93440-15012-00	CIRCLIP	2	

CONTINUED ON NEXT FRAME ►

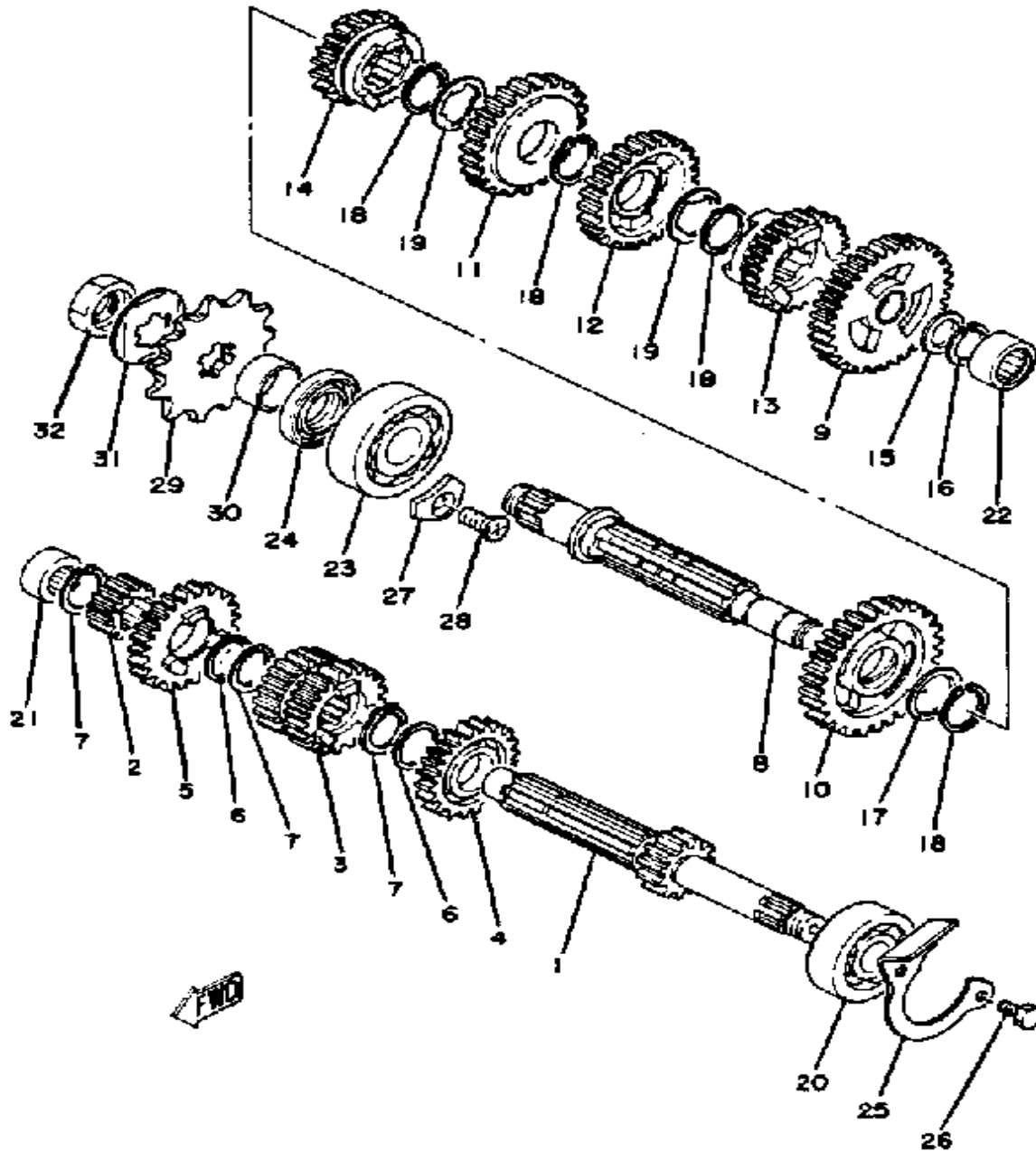


# TRANSMISSION YZ125E - F



Ref. No.	Part Number	Description	Qty	Remarks
29	93306-30411-00	BEARING (B6304)	1	
30	93102-26042-00	OIL SEAL	1	
31	90387-202A0-00	COLLAR	1	
32	93832-11007-00	SPROCKET, DRIVE 11T	1	U.R.
	93832-12014-00	SPROCKET, DRIVE	1	U.R. STD
	93832-13027-00	SPROCKET, DRIVE	1	U.R.
33	90215-16127-00	WASHER, LOCK	1	
34	90179-16226-00	NUT	1	
35	1W1-15381-00-00	PLATE, BRNG COVER	1	
36	98603-06012-00	SCREW, OVAL HEAD	2	

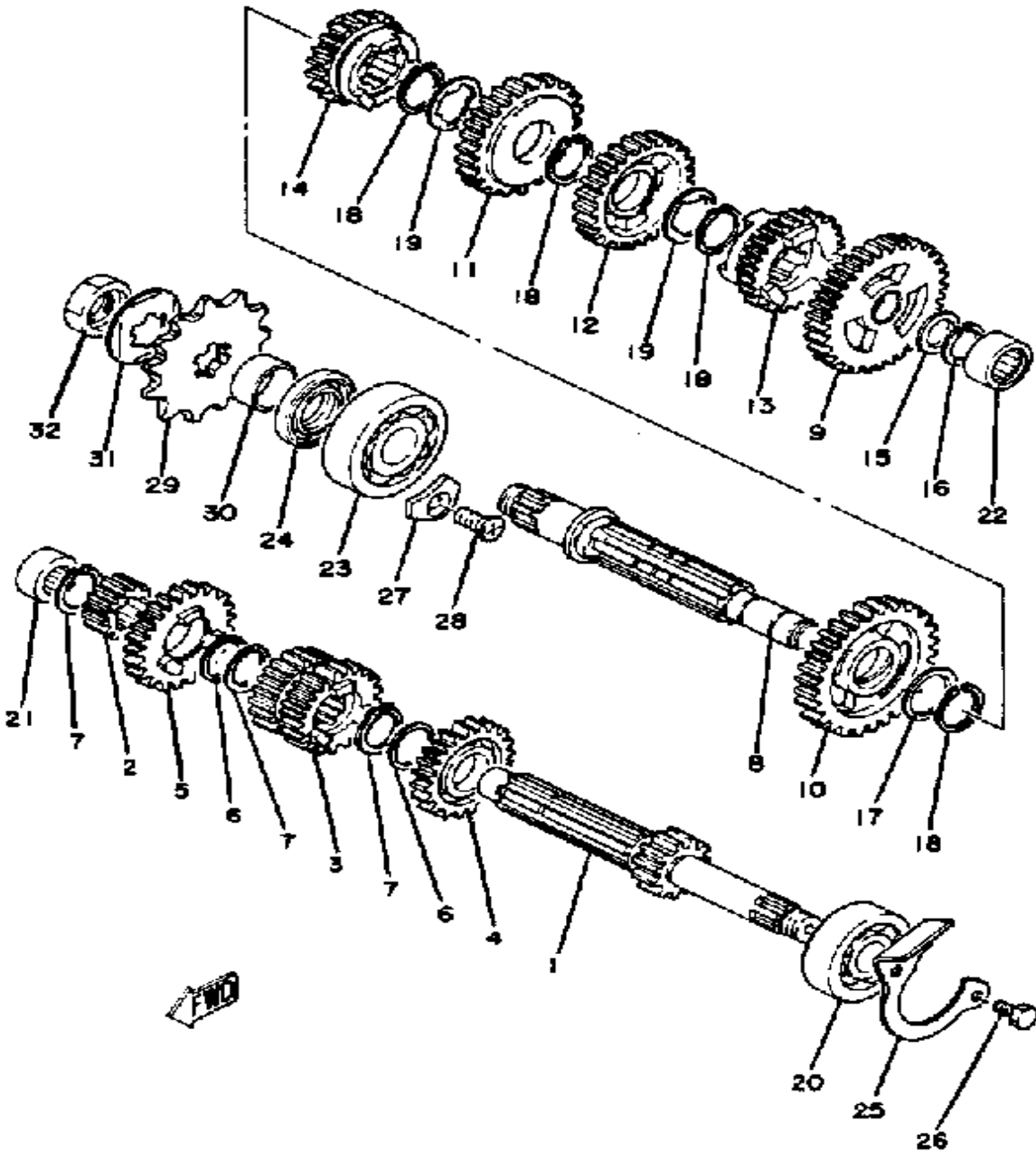
# TRANSMISSION YZ125G



Ref. No.	Part Number	Description	Qty	Remarks
1	3R3-17411-00-00	AXLE, MAIN (13T)	1	
2	5X4-17121-02-00	GEAR, 2ND PINION	1	
3	3R3-17131-01-00	GEAR, 3RD PINION (16T, 20T)	1	
4	3R3-17151-02-00	GEAR, 5TH PINION (19T)	1	
5	3R3-17161-02-00	GEAR, 6TH PINION	1	
6	90201-20266-00	WASHER, PLATE (1.0T)	2	
7	93410-20038-00	CIRCLIP	3	
8	3R3-17421-00-00	AXLE, DRIVE	1	
9	5X4-17211-01-00	GEAR, 1ST WHEEL	1	
10	3R3-17221-01-00	GEAR, 2ND WHEEL (26T)	1	
11	3R3-17231-01-00	GEAR, 3RD WHEEL (24T)	1	
12	3R3-17241-01-00	GEAR, 4TH WHEEL (25T)	1	
13	3R3-17251-02-00	GEAR, 5TH WHEEL (21T)	1	
14	3R3-17261-02-00	GEAR, 6TH WHEEL	1	
15	90201-15701-00	WASHER, PLATE (1.0T)	1	
16	93440-15012-00	CIRCLIP	1	
17	90201-22555-00	WASHER, PLATE	1	
18	93410-22039-00	CIRCLIP	4	
19	90209-18135-00	WASHER	2	
20	93306-30309-00	BEARING	1	
21	93311-41530-00	BEARING	1	
22	93311-31567-00	BEARING, CYLINDRICAL	1	
23	93306-30411-00	BEARING (B6304)	1	
24	93102-26042-00	OIL SEAL	1	
25	3R3-17471-00-00	PLATE, COVER	1	
26	97013-06012-00	BOLT	2	
27	2K7-15383-00-00	PLATE, BEARING COVER	1	
28	98603-06012-00	SCREW, OVAL HEAD	1	
29	93832-11007-00	SPROCKET, DRIVE 11T	1	U.R.

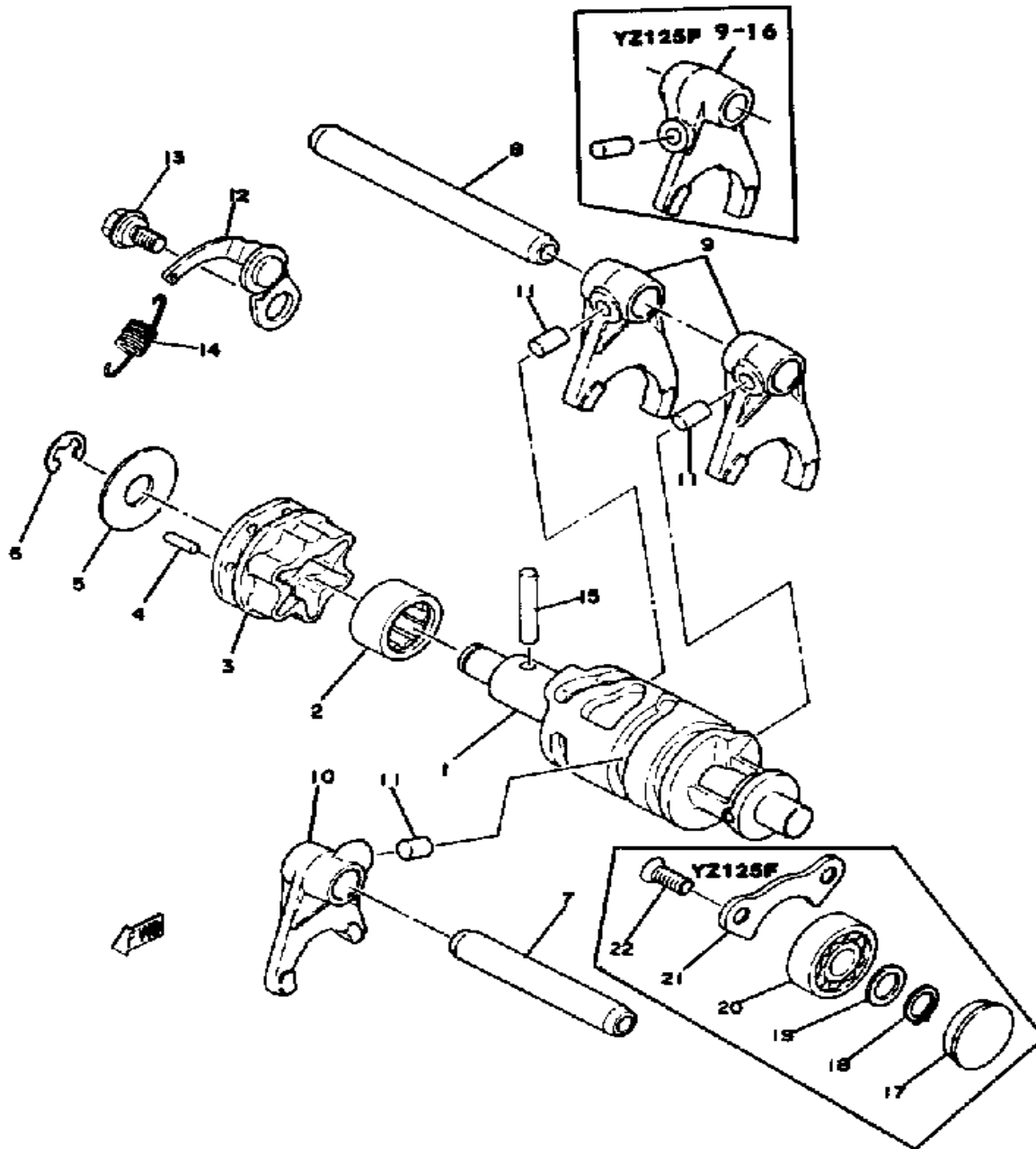
CONTINUED ON NEXT FRAME ►

# TRANSMISSION YZ125G



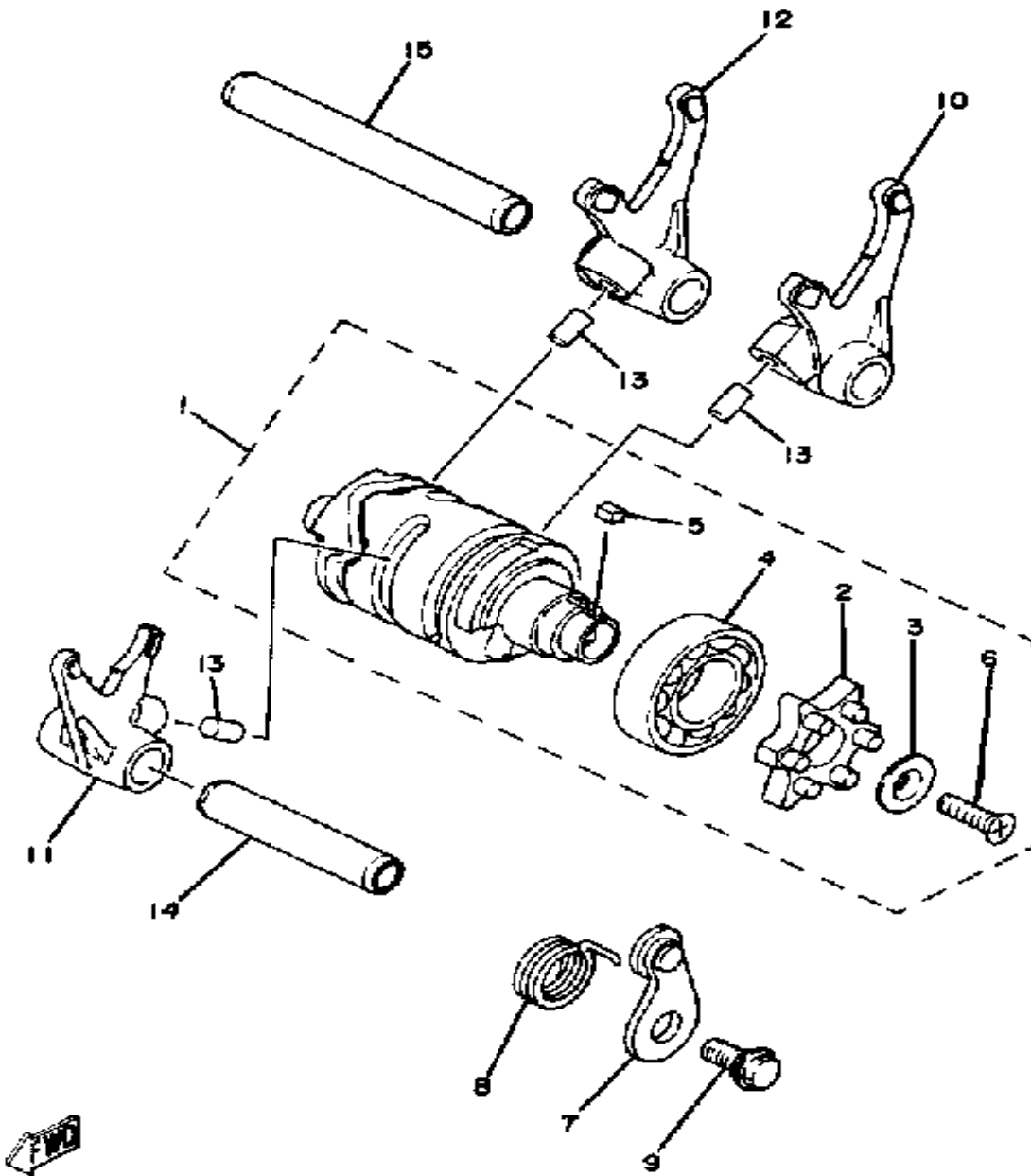
Ref. No.	Part Number	Description	Qty	Remarks
29	93832-12014-00	SPROCKET, DRIVE	1	U.R. STD
	93832-13027-00	SPROCKET, DRIVE	1	U.R.
30	90387-202A0-00	COLLAR	1	
31	90215-16127-00	WASHER, LOCK	1	
32	90179-16226-00	NUT	1	

# SHIFT CAM - FORK YZ125E - F



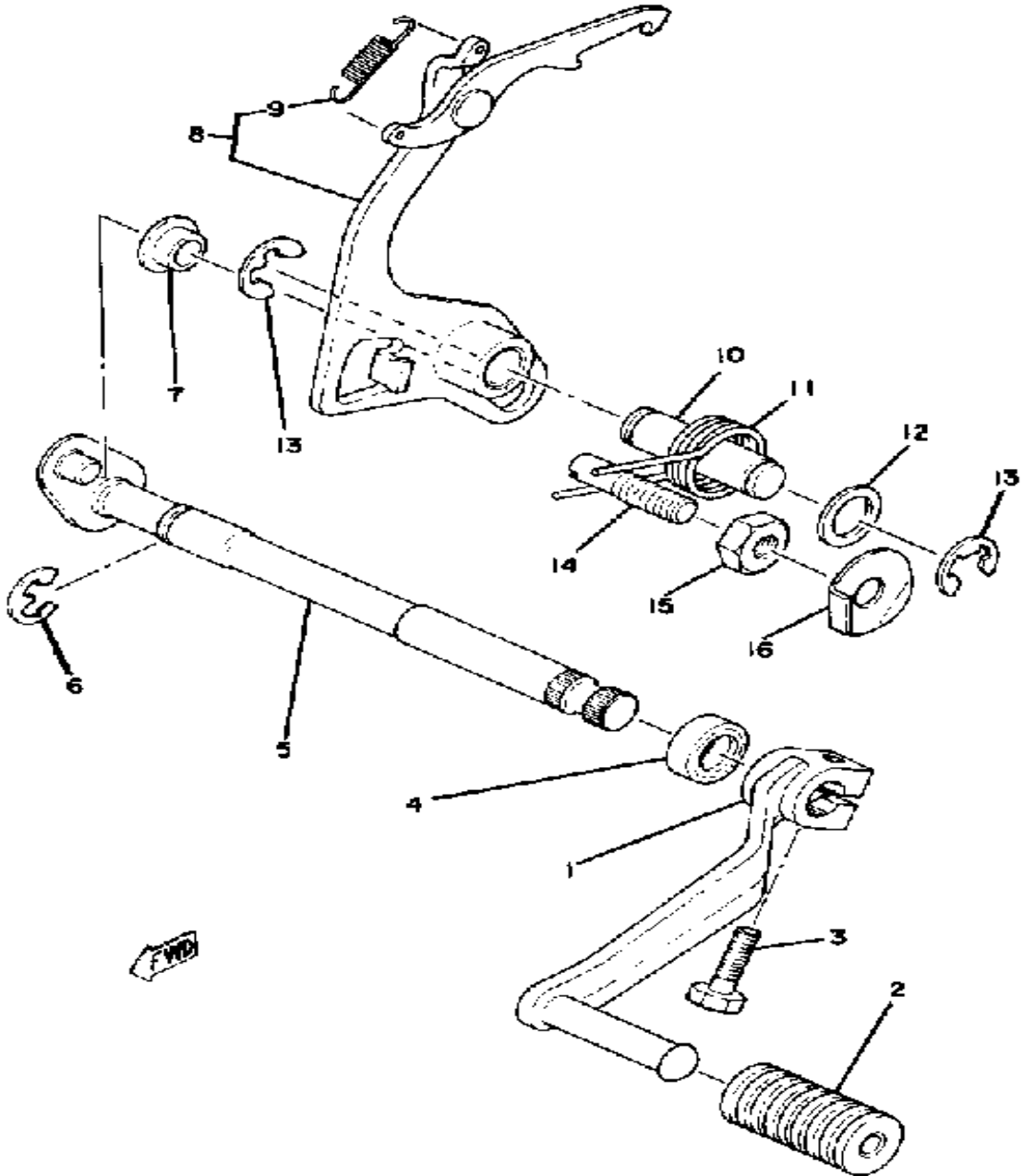
Ref. No.	Part Number	Description	Qty	Remarks
1	(2W5-18540-00-00)	SHIFT CAM ASSEMBLY	1	
	1W1-18540-00-00	SHIFT CAM ASSEMBLY	1	
2	93315-21813-00	BEARING	1	
3	1W1-18185-00-00	SEGMENT	1	
4	93604-12037-00	PIN, DOWEL	6	
5	1W1-18561-00-00	PLATE, SIDE 1	1	
6	99001-08600-00	CIRCLIP	1	
7	2A6-18531-00-00	BAR, SHIFT FORK GUIDE 1	1	
8	2A6-18535-00-00	BAR, SHIF FRK GDE 2	1	
9	1W1-18511-01-00	FORK, SHIFT 1	2	
	2W6-18511-00-00	FORK, SHIFT 1	1	
10	2A6-18512-00-00	FORK, SHIFT 2	1	
	2W6-18512-00-00	FORK, SHIFT 2	1	
11	90250-06013-00	PIN, STRAIGHT	3	
12	1W1-18140-00-00	STOPPER LEVER ASSEMBLY	1	
13	50W-21631-00-00	BOLT 1	1	
14	90506-09156-00	SPRING, TENSION	1	
15	93604-30018-00	PIN, DOWEL	1	
16	2W6-18513-00-00	FORK, SHIFT 3	1	
17	90338-23090-00	PLUG, SPEC'L SHAPE	1	
18	99009-11400-00	CIRCLIP	1	
19	90201-12164-00	WASHER, PLATE	1	
20	93306-20110-00	BEARING	1	
21	(2W5-15381-00-00)	PLATE, BRNG COVER	1	
22	98603-06012-00	SCREW, OVAL HEAD	2	

# SHIFT CAM - FORK YZ125G



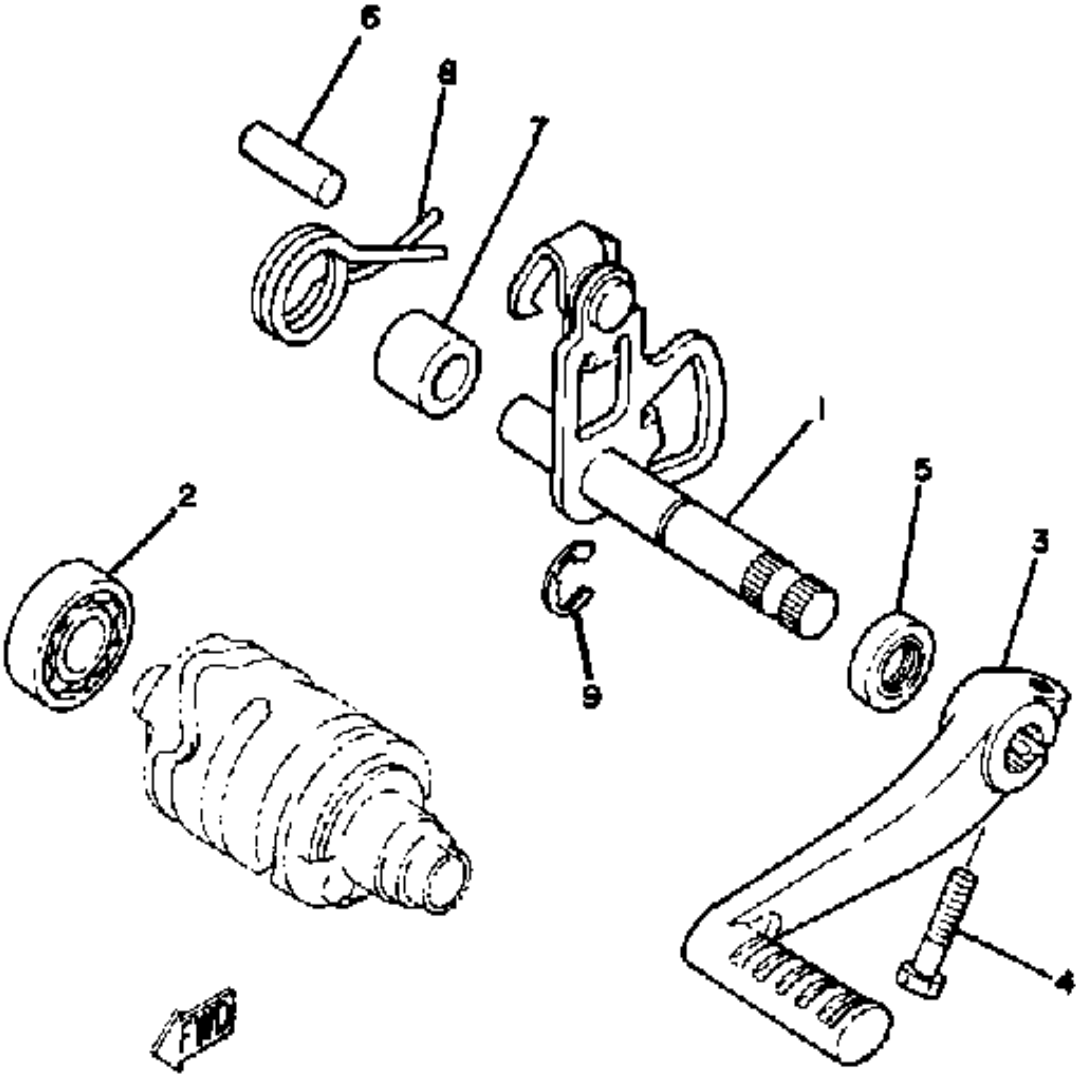
Ref. No.	Part Number	Description	Qty	Remarks
1	24X-18540-00-00	SHIFT CAM ASSEMBLY	1	
2	3R4-18185-00-00	. SEGMENT	1	
3	3R4-18561-00-00	. PLATE, SIDE 1	1	
4	93306-00435-00	. BEARING	1	
5	90282-04036-00	. KEY, STRAIGHT	1	
6	98701-05016-00	. SCREW, FLAT HEAD	1	
7	3R3-18140-00-00	STOPPER LEVER ASSEMBLY	1	
8	90508-26435-00	SPRING, TORSION	1	
9	50W-21631-00-00	BOLT 1	1	
10	3R3-18511-00-00	FORK, SHIFT 1	1	
11	3R3-18512-00-00	FORK, SHIFT 2	1	
12	3R3-18513-00-00	FORK, SHIFT 3	1	
13	90250-06013-00	PIN, STRAIGHT	3	
14	5X5-18531-01-00	BAR, SHIF FRK GDE 1	1	
15	5X5-18535-01-00	BAR, SHIF FRK GDE 2	1	

# SHIFT SHAFT YZ125E - F



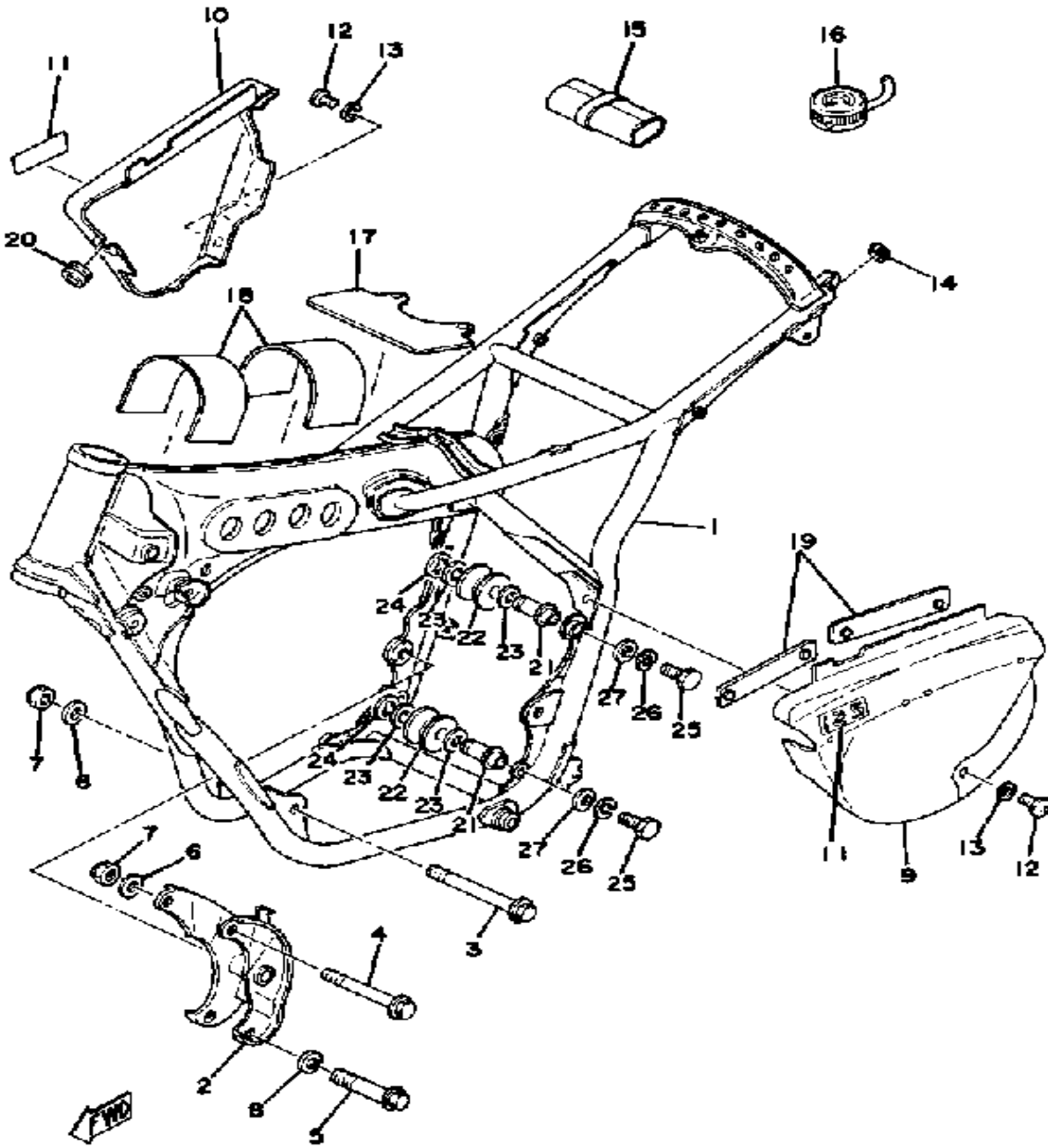
Ref. No.	Part Number	Description	Qty	Remarks
1	1W1-18111-01-33	PEDAL, SHIFT	1	YAMAHA BLK
	2X3-18111-00-33	PEDAL, SHIFT	1	
2	132-18113-01-00	COVER, SHIFT PEDAL	1	
3	97011-06020-00	BOLT	1	
4	93101-12060-00	OIL SEAL	1	
5	1W1-18101-03-00	SHIFT SHAFT ASSEMBLY 1	1	
6	99006-10600-00	CIRCLIP	1	
7	401-18178-00-00	ROLLER, SHIFT LEVER	1	
8	4F2-18120-00-00	SHIFT LEVER ASSEMBLY (2A6-18120-00)	1	
9	90506-08155-00	SPRING, TENSION	1	
10	1W1-18197-01-00	SHAFT	1	
11	90508-32349-00	SPRING, TORSION	1	
12	90201-12M34-00	WASHER, PLATE	1	
13	99006-10600-00	CIRCLIP	2	
14	90149-08111-00	SCREW, SPEC'L SHAPE	1	
15	90170-08029-00	NUT	1	
16	90215-08014-00	WASHER, LOCK	1	

# SHIFT SHAFT YZ125G



Ref. No.	Part Number	Description	Qty	Remarks
1	24X-18101-01-00	SHIFT SHAFT ASSEMBLY. 1	1	
2	93306-20110-00	BEARING	1	
3	5X4-18110-01-00	SHIFT PEDAL ASSEMBLY (509-18111-01)	1	
4	97011-06025-00	BOLT (97001-06025)	1	
5	93101-12060-00	OIL SEAL	1	
6	93608-25150-00	PIN, DOWEL	1	
7	90560-11189-00	SPACER	1	
8	90508-32374-00	SPRING, TORSION	1	
9	99006-10600-00	CIRCLIP	1	

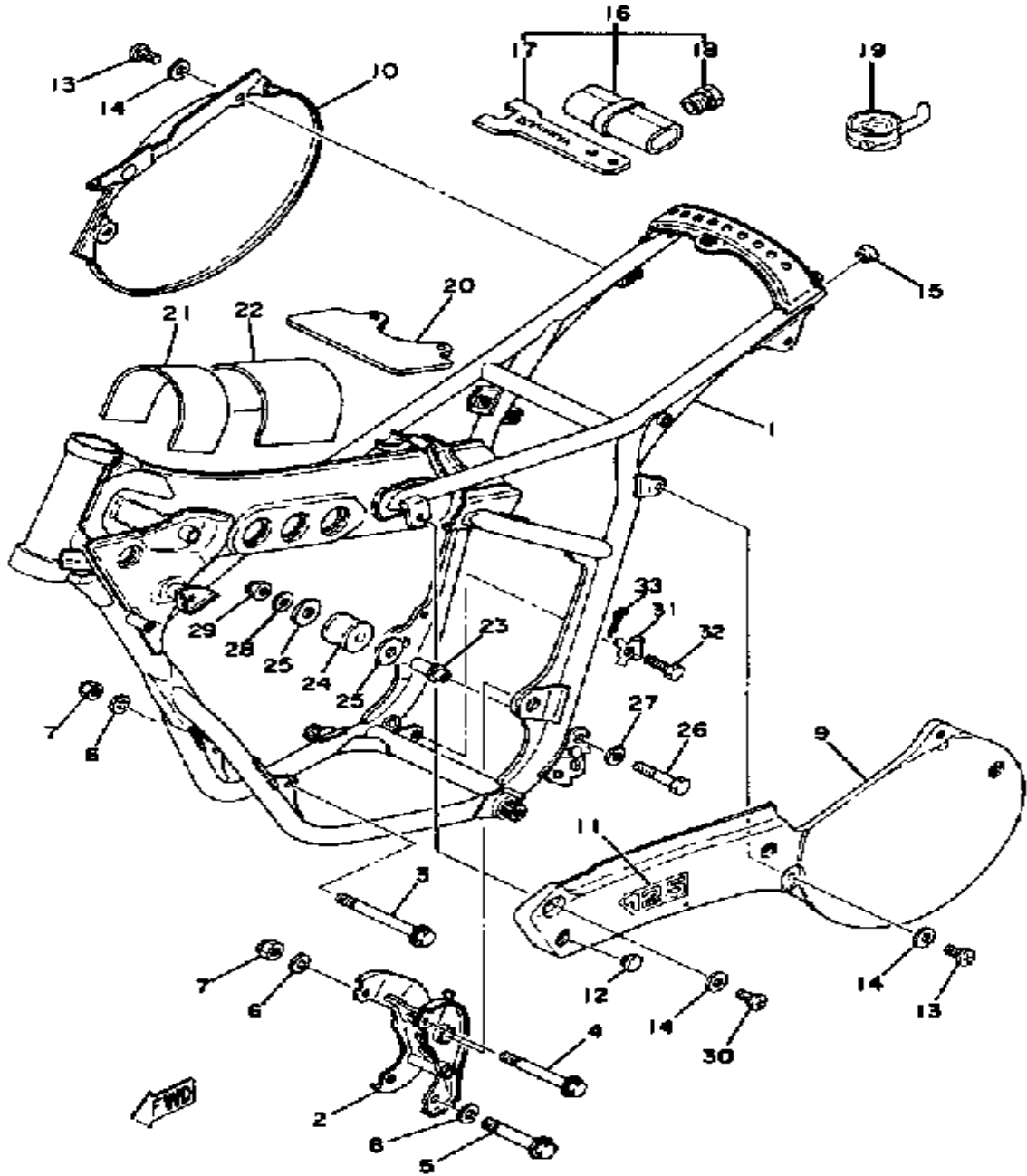
# FRAME - SIDE COVER YZ125E



Ref. No.	Part Number	Description	Qty	Remarks
1	(2K6-21110-01-33)	FRAME .....	1	YAMAHA BLK
2	1W1-21410-00-00	ENGINE BRKT .....	1	
3	90105-08099-00	BOLT, WASHER BASED .....	1	
4	90105-08100-00	BOLT, WASHER BASED .....	1	
5	90105-10037-00	BOLT, WASHER BASED .....	1	
6	92990-08200-00	WASHER, PLAIN .....	2	
7	90185-08089-00	NUT, SELF-LOCKING .....	2	
8	92990-10100-00	WASHER, SPRING .....	1	
9	1W1-21711-00-00	COVER, SIDE 1 .....	1	COMP. YELLOW
10	(1W1-21721-02-00)	COVER, SIDE 2 .....	1	COMP. YELLOW
11	1K6-14729-00-00	EMBLEM, PROTECTOR .....	2	
12	98903-06012-00	SCREW, BIND .....	2	
13	90201-06067-00	WASHER, PLATE .....	2	
14	90339-13005-00	PLUG .....	2	
15	(5X5-28100-00-00)	TOOL KIT .....	1	
16	(1W1-2811A-00-00)	GAUGE, AIR .....	1	
17	(1W1-24181-00-00)	DAMPER, LOCATING 1 .....	1	
18	1W1-24183-00-00	DAMPER, LOCATING 3 .....	2	
19	537-21732-00-00	SEAL 1 .....	2	
20	90480-12053-00	GROMMET .....	1	
21	2K6-2148A-02-00	SHAFT .....	2	
22	2K6-22178-00-00	TENSIONER .....	2	
23	90201-13202-00	WASHER, PLATE .....	4	
24	1W1-18136-00-00	CLIP, SHIFT SHAFT .....	2	
25	97313-08020-00	BOLT, HEXAGON .....	2	
26	92990-08100-00	WASHER, SPRING .....	2	
27	92990-08200-00	WASHER, PLAIN .....	2	



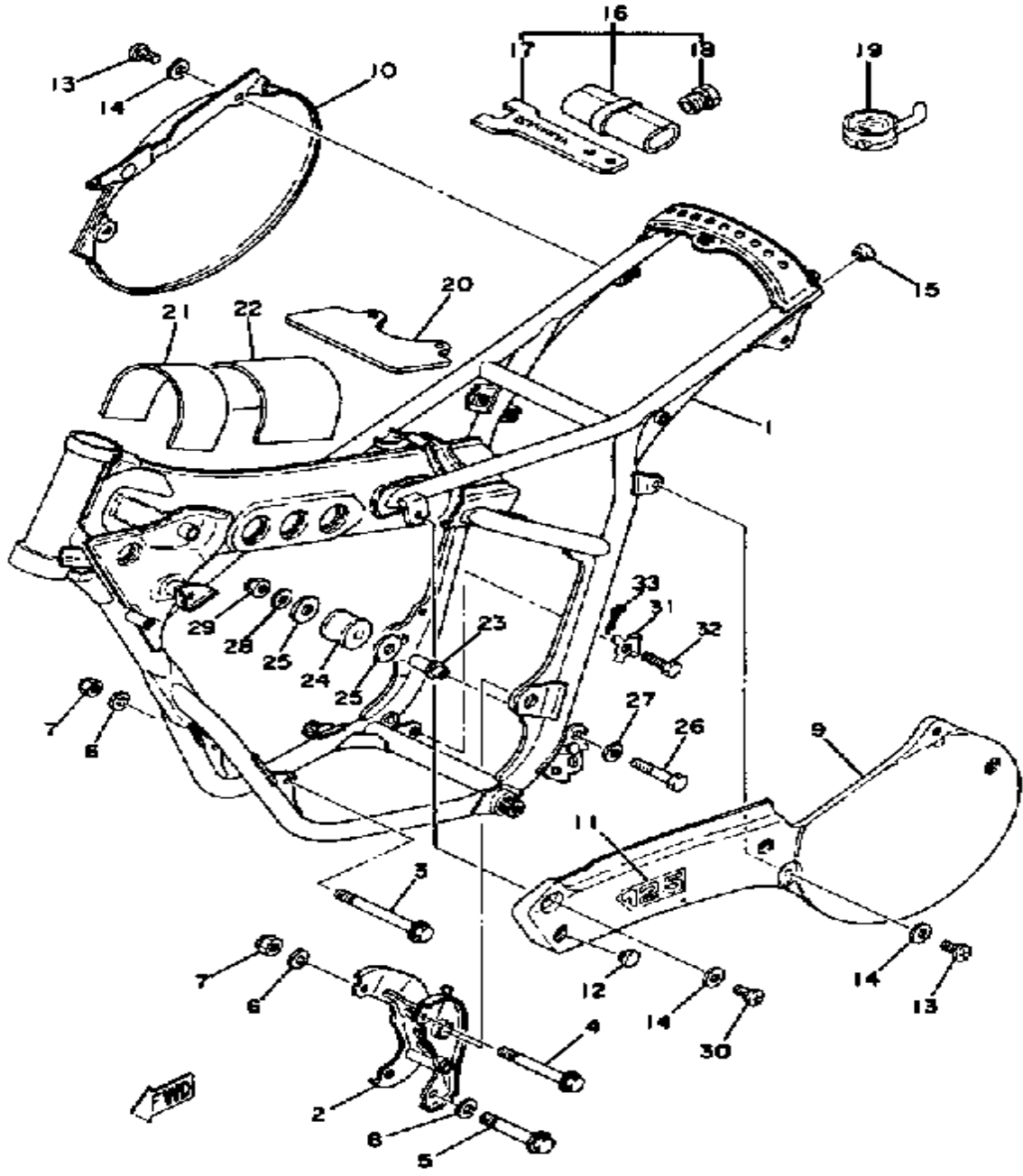
# FRAME - SIDE COVER YZ125F



Ref. No.	Part Number	Description	Qty	Remarks
1	(2X3-21110-01-33)	FRAME .....	1	
2	(2X3-21410-00-00)	ENGINE BRKT .....	1	
3	90105-08099-00	BOLT, WASHER BASED .....	1	
4	90105-08100-00	BOLT, WASHER BASED .....	1	
5	90105-10037-00	BOLT, WASHER BASED .....	1	
6	92990-08200-00	WASHER, PLAIN .....	2	
7	90185-08089-00	NUT, SELF-LOCKING .....	2	
8	92990-10100-00	WASHER, SPRING .....	1	
9	2X3-21711-00-98	COVER, SIDE 1 .....	1	COMP. YELLOW/LOW GLOSS BLK
10	(2X3-21721-00-98)	COVER, SIDE 2 .....	1	COMP. YELLOW/LOW GLOSS BLK
11	2X3-21737-00-00	EMBLEM .....	1	
12	22W-24181-00-00	DAMPER, LOCATING 1 .....	3	
13	98903-06012-00	SCREW, BIND .....	5	
14	90201-06067-00	WASHER, PLATE .....	5	
15	90339-13005-00	PLUG .....	2	
16	(5X5-28100-00-00)	TOOL KIT .....	1	
17	10V-28135-00-00	. SPANNER, SPECIAL .....	1	
18	(2K7-85555-00-00)	PULLER, ROTOR .....	1	
19	2X4-2811A-01-00	GAUGE, AIR .....	1	
20	(1W1-24181-00-00)	DAMPER, LOCATING 1 .....	1	
21	1W1-24183-00-00	DAMPER, LOCATING 3 .....	1	
22	(2X4-24183-00-00)	DAMPER, LOCATING 3 .....	1	
23	2K7-2148A-00-00	SHAFT .....	1	
24	2K6-22178-00-00	TENSIONER .....	1	
25	90201-13202-00	WASHER, PLATE .....	2	
26	97313-08050-00	BOLT, HEXAGON (90101-08125) .....	1	
27	92990-08200-00	WASHER, PLAIN .....	1	

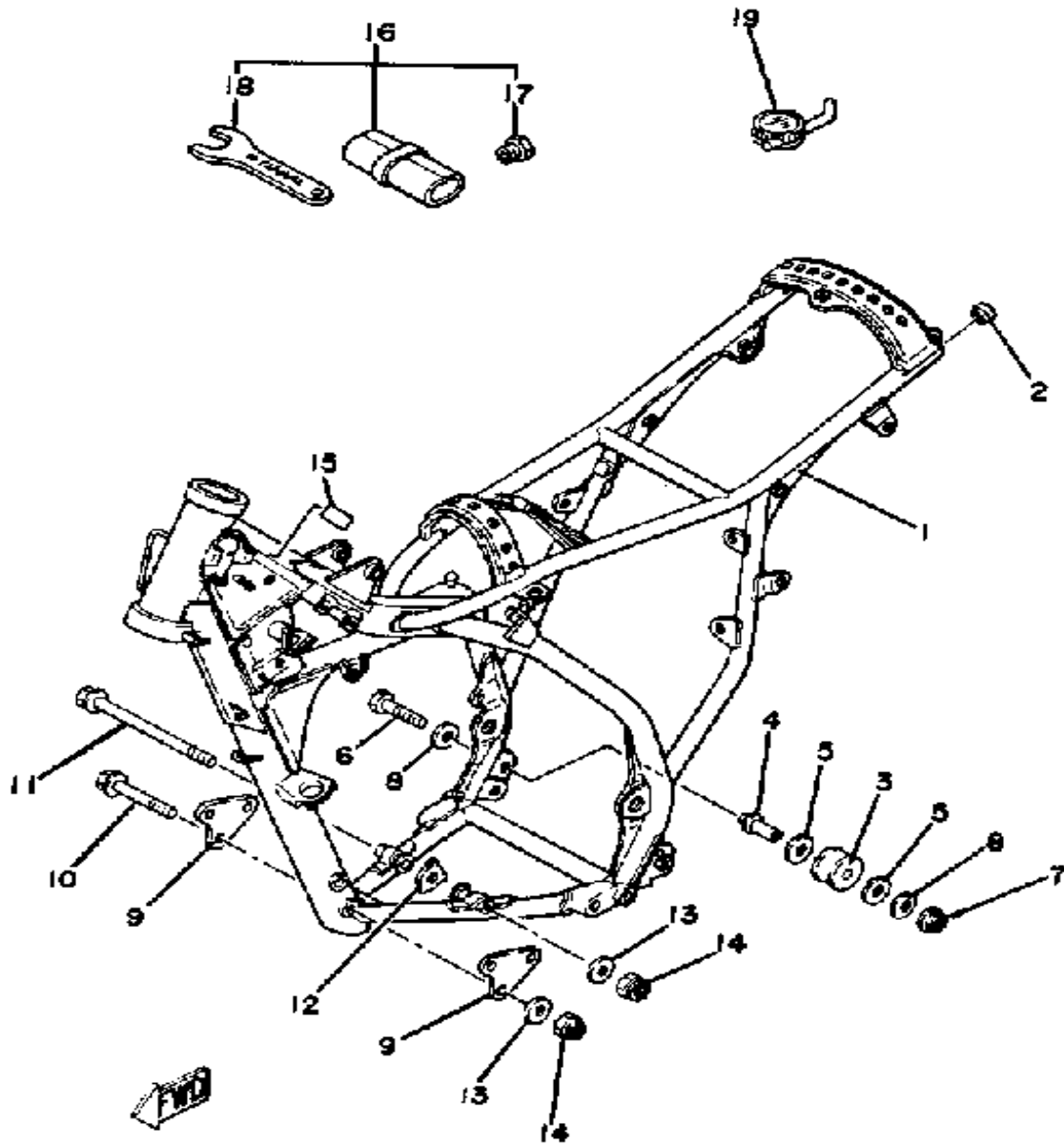
CONTINUED ON NEXT FRAME ►

# FRAME - SIDE COVER YZ125F



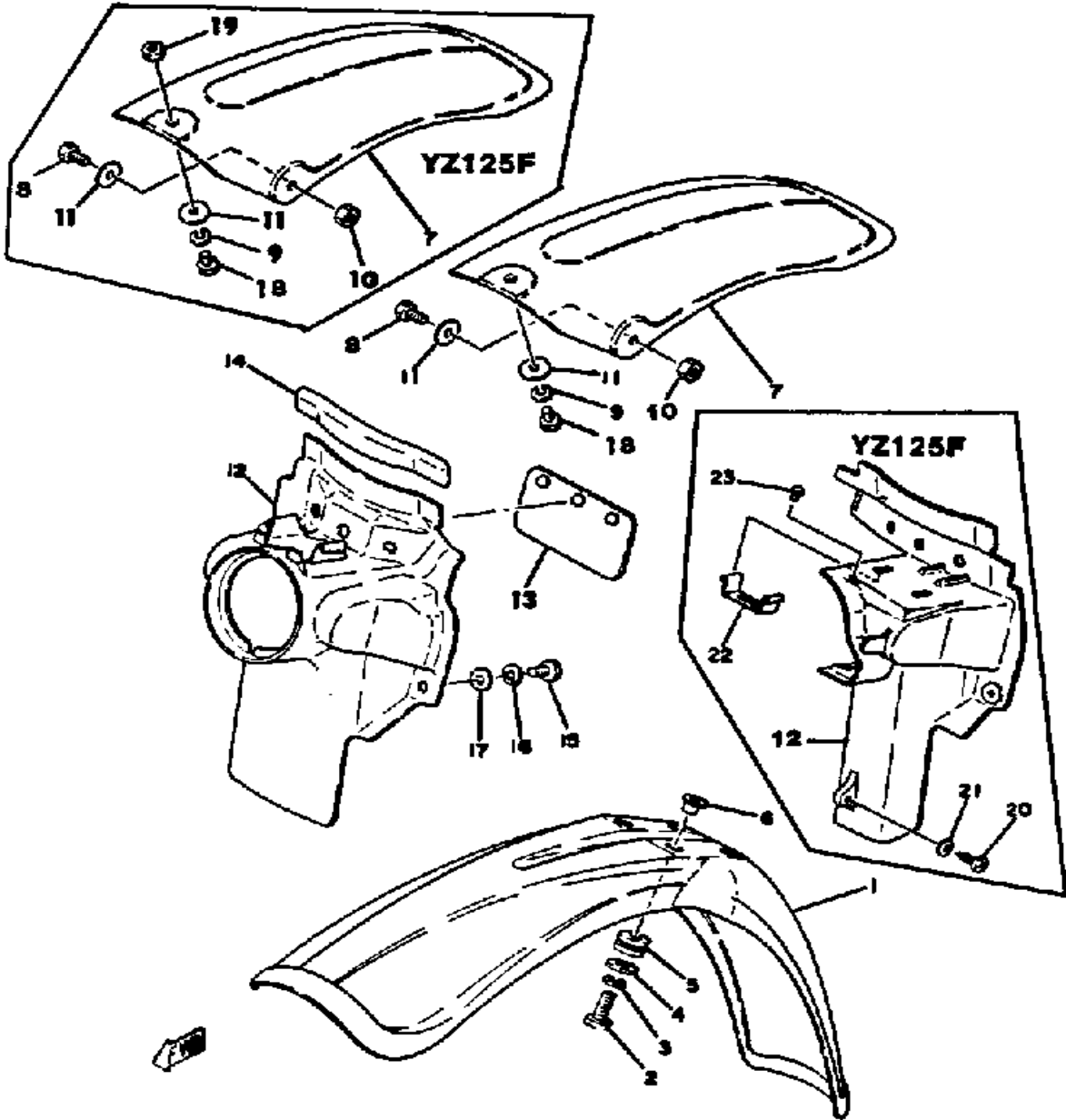
Ref. No.	Part Number	Description	Qty	Remarks
28	92901-08600-00	WASHER, PLATE .....	1	
29	95611-08100-00	NUT, U .....	1	
30	98980-06016-00	SCREW, BINDING .....	1	
31	90215-08154-00	WASHER, LOCK .....	1	
32	90101-08371-00	BOLT .....	1	
33	91490-20020-00	PIN, COTTER .....	1	

# FRAME - TOOL YZ125G



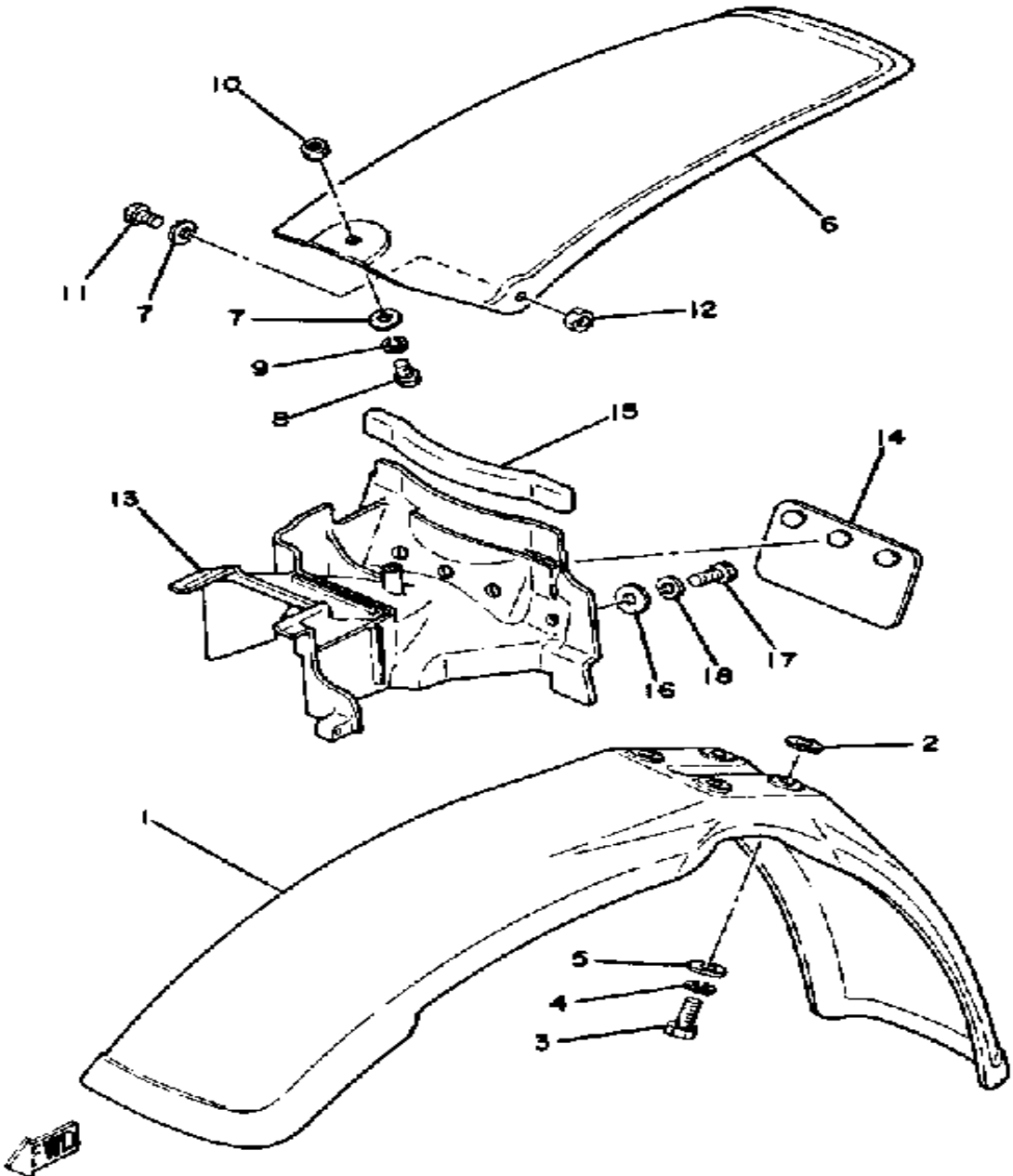
Ref. No.	Part Number	Description	Qty	Remarks
1	(3R3-21110-01-33)	FRAME	1	YAMAHA BLK
2	90339-13005-00	PLUG	2	
3	2K6-22178-00-00	TENSIONER	1	
4	3R3-2148A-00-00	SHAFT	1	
5	90201-13202-00	WASHER, PLATE	2	
6	97313-08050-00	BOLT, HEXAGON (90101-08125)	1	
7	95712-08300-00	NUT, LOCK	1	
8	92990-08200-00	WASHER, PLAIN	2	
9	3R3-21415-00-00	BRACKET, FRT UPR 1	2	
10	95811-08075-00	BOLT, FLANGE	3	
11	95811-08160-00	BOLT, FLANGE	1	
12	90214-09019-00	WASHER, CLAW	1	
13	92990-08200-00	WASHER, PLAIN	4	
14	90185-08089-00	NUT, SELF-LOCKING	4	
15	(3R4-2139W-00-00)	COVER	1	
16	(5X5-28100-00-00)	TOOL KIT	1	
17	(2K7-85555-00-00)	PULLER, ROTOR	1	
18	10V-28135-00-00	. SPANNER, SPECIAL	1	
19	2X4-2811A-01-00	GAUGE, AIR	1	

# FENDER YZ125E - F



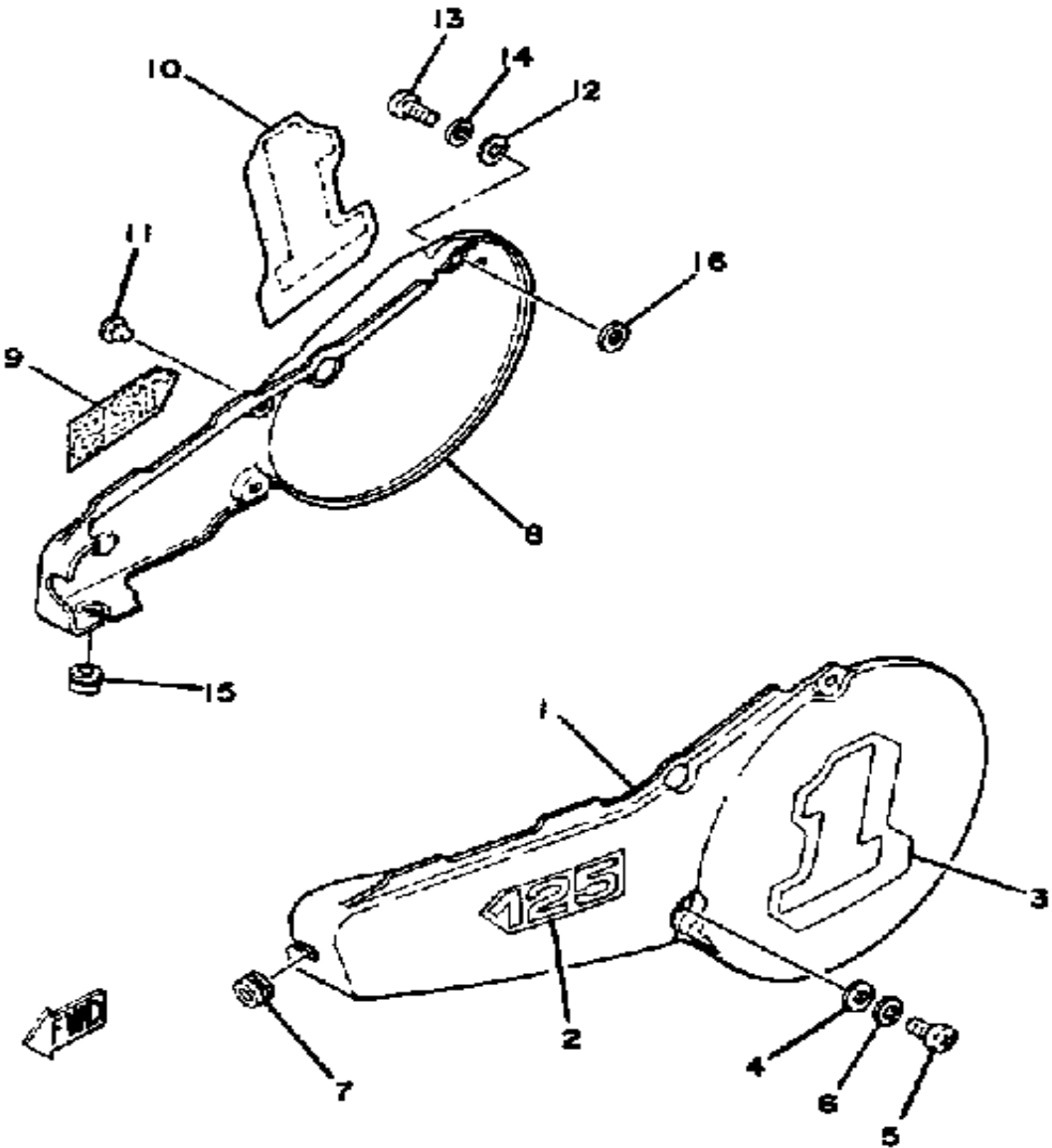
Ref. No.	Part Number	Description	Qty	Remarks
1	5X6-21511-01-00	FENDER, FRONT .....	1	COMP. YELLOW
2	97011-06025-00	BOLT (97001-06025) .....	4	
3	92995-06100-00	WASHER, SPRING .....	4	
4	90201-06067-00	WASHER, PLATE .....	4	
5	90480-14198-00	GROMMET .....	4	
6	90387-06388-00	COLLAR .....	4	
	90387-07391-00	COLLAR .....	4	
7	2K6-21611-00-00	FENDER, REAR (1W1-21611-00)	1	COMP. YELLOW
8	97301-06014-00	BOLT, HEXAGON .....	2	
	97301-06014-00	BOLT, HEXAGON .....	3	
9	92995-06100-00	WASHER, SPRING .....	1	
10	95601-06100-00	NUT, U .....	2	
11	90201-06067-00	WASHER, PLATE .....	3	
12	(1W1-21620-01-00)	GUARD, MUD .....	1	
	(2X3-21629-00-00)	GUARD, MUD .....	1	
13	1M1-21621-00-00	FLAP .....	1	
14	565-21746-00-00	DAMPER .....	1	
15	97301-06014-00	BOLT, HEXAGON .....	2	
16	92995-06100-00	WASHER, SPRING .....	2	
17	90201-06067-00	WASHER, PLATE .....	2	
18	97313-06016-00	BOLT, HEXAGON .....	1	
19	95380-06700-00	NUT .....	1	
20	97780-50120-00	SCREW, TAPPING .....	1	
21	92901-05600-00	WASHER, PLATE .....	1	
22	(2X3-21274-00-00)	BRACKET, C D I UNIT .....	1	
23	90338-06018-00	PLUG .....	1	

# FENDER YZ125G



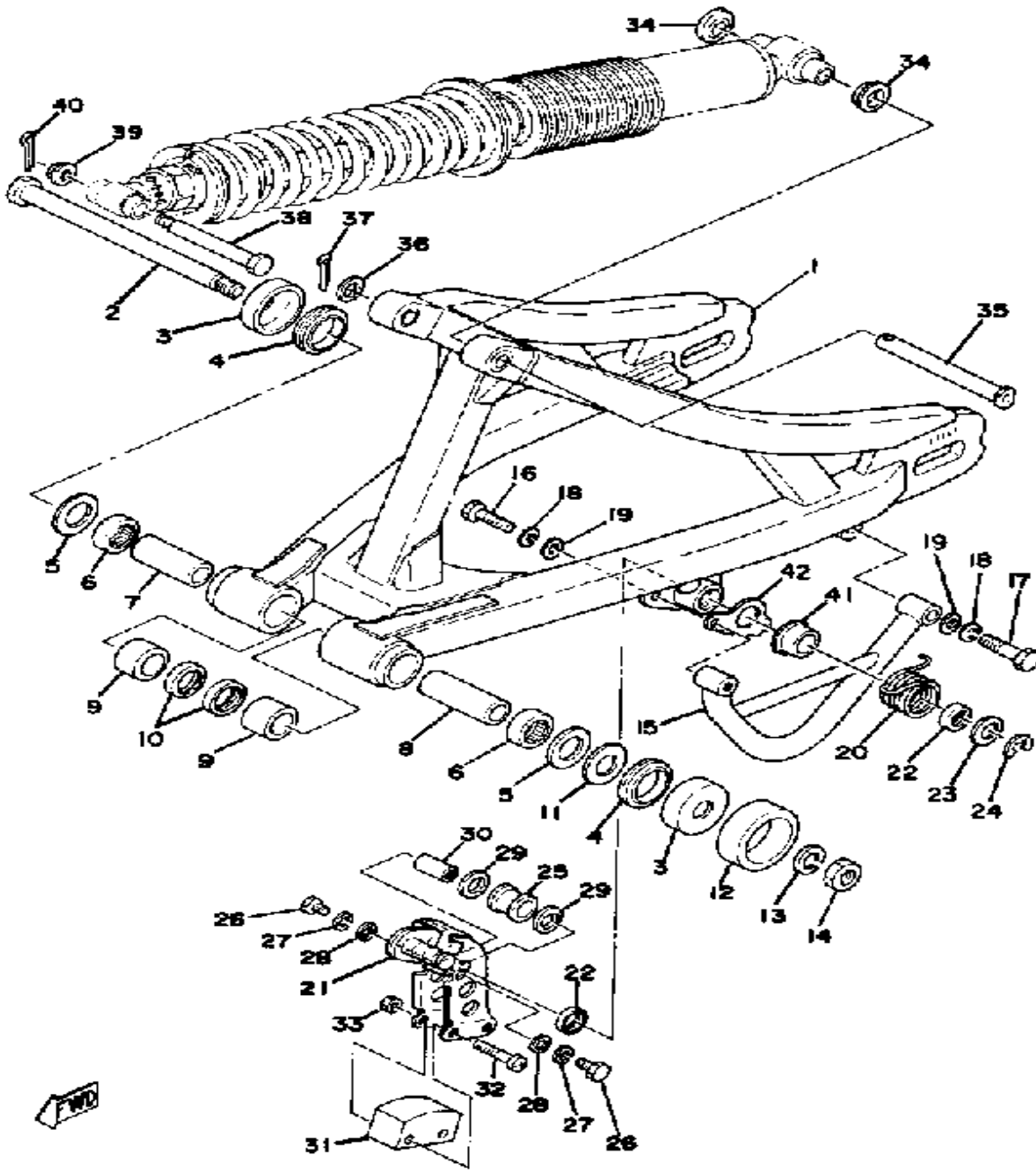
Ref. No.	Part Number	Description	Qty	Remarks
1	3R2-21511-01-00	FENDER, FRONT	1	COMP. YELLOW
2	90201-06067-00	WASHER, PLATE	4	
3	97023-06020-00	BOLT (3XF)	4	
4	92995-06100-00	WASHER, SPRING	4	
5	90209-06187-00	WASHER	4	
6	3R3-21611-01-00	FENDER, REAR	1	COMP. YELLOW
7	90201-06067-00	WASHER, PLATE	3	
8	97313-06016-00	BOLT, HEXAGON	1	
9	92995-06100-00	WASHER, SPRING	1	
10	95380-06700-00	NUT	1	
11	97313-06016-00	BOLT, HEXAGON	2	
12	95601-06100-00	NUT, U	2	
13	(3R3-21629-00-00)	GUARD, MUD	1	
14	1M1-21621-00-00	FLAP	1	
15	565-21746-00-00	DAMPER	1	
16	90201-06067-00	WASHER, PLATE	2	
17	97313-06016-00	BOLT, HEXAGON	2	
18	92995-06100-00	WASHER, SPRING	2	

# SIDE COVER YZ125G



Ref. No.	Part Number	Description	Qty	Remarks
1	3R3-21711-01-98	COVER, SIDE 1 .....	1	LOW GLOSS BLK
2	3R3-21737-00-00	EMBLEM .....	1	
3	3R2-21782-00-00	EMBLEM 2 .....	1	
4	90201-06067-00	WASHER, PLATE .....	2	
5	98503-06014-00	SCREW, PAN HEAD .....	2	
6	92995-06100-00	WASHER, SPRING .....	2	
7	90480-12053-00	GROMMET .....	1	
8	3R3-21721-02-98	COVER, SIDE 2 (R.H.) .....	1	LOW GLOSS BLK
9	3R3-21737-00-00	EMBLEM .....	1	
10	3R2-21782-00-00	EMBLEM 2 .....	1	
11	22W-24181-00-00	DAMPER, LOCATING 1 .....	2	
12	90201-06067-00	WASHER, PLATE .....	2	
13	98503-06014-00	SCREW, PAN HEAD .....	2	
14	92995-06100-00	WASHER, SPRING .....	2	
15	90480-12053-00	GROMMET .....	1	
16	92990-08200-00	WASHER, PLAIN .....	1	

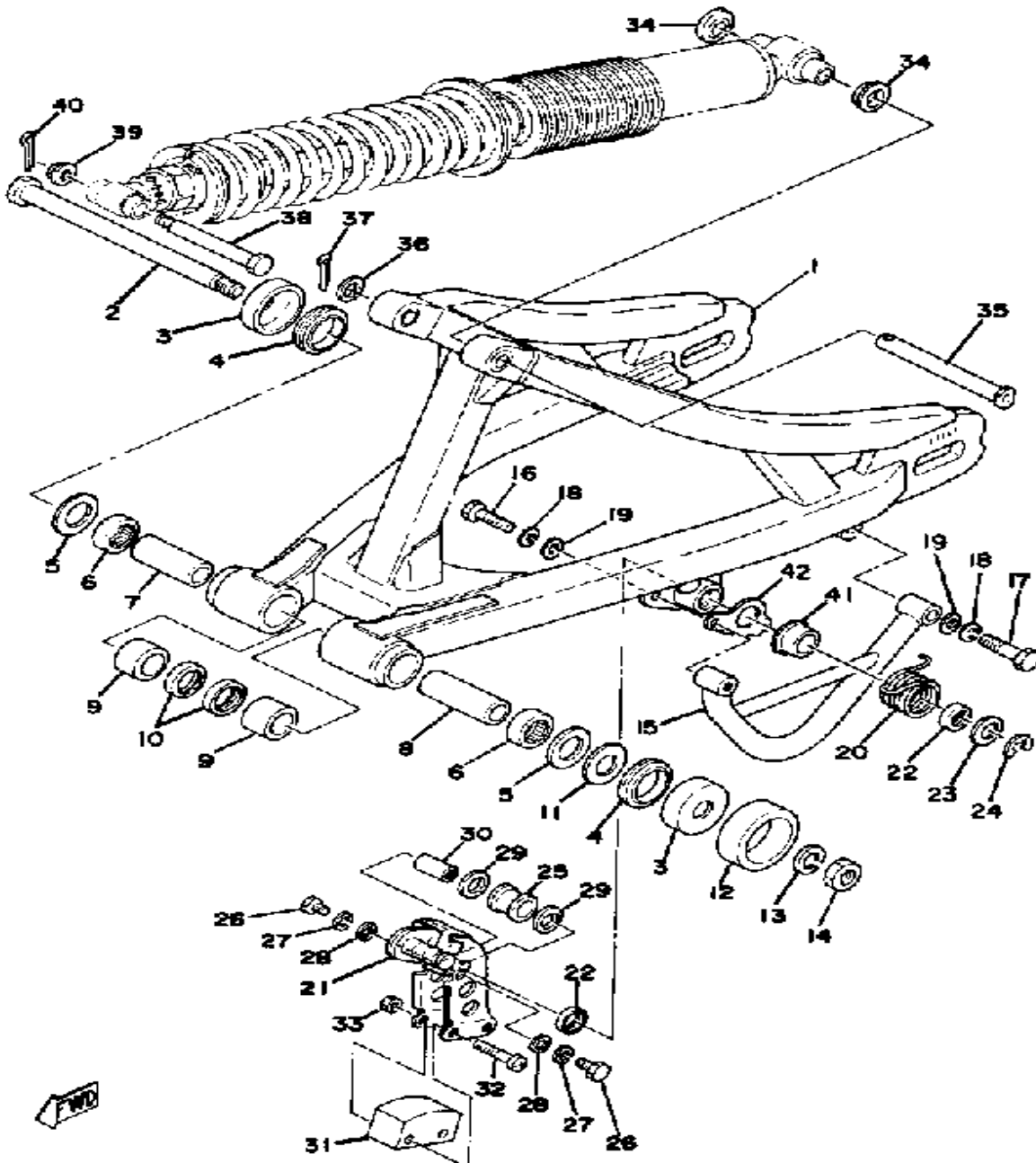
# SWING ARM YZ125E



Ref. No.	Part Number	Description	Qty	Remarks
1	(2K6-22110-00-00)	REAR ARM .....	1	YAMAHA BLK
2	1W1-22141-00-00	SHAFT, PIVOT .....	1	
3	2K6-22128-01-00	COVER, THRUST 1 .....	2	
4	93108-35004-00	OIL SEAL .....	2	
5	90201-22680-00	WASHER, PLATE .....	2	
6	93317-22214-00	BEARING, CYLINDER.# 7 .....	2	
7	90380-16063-00	BUSH, SOLID .....	1	
8	90380-16056-00	BUSH, SOLID .....	1	
9	90386-22097-00	BUSH, SPEC'L NYLON .....	2	
10	93109-22019-00	OIL SEAL, SDO-TYPE .....	2	
11	240-22127-00-00	SHIM (0.3T) .....	1	
12	431-22151-03-00	SEAL, GUARD .....	1	
13	92901-16100-00	WASHER, SPRING .....	1	
14	90170-16111-00	NUT .....	1	
15	(2K8-22153-00-00)	GUARD, CHAIN .....	1	
16	97313-08030-00	BOLT, HEXAGON .....	1	
17	97313-08035-00	BOLT, HEXAGON .....	1	
18	92990-08100-00	WASHER, SPRING .....	2	
19	92901-08600-00	WASHER, PLATE .....	2	
20	90508-35365-00	SPRING, TORSION (90508-32347) .....	1	
21	2K8-22179-00-00	ARM, TENSIONER .....	1	
22	93109-14021-00	OIL SEAL .....	2	
23	90201-14411-00	WASHER, PLATE .....	1	
24	93430-10015-00	CIRCLIP .....	1	
25	1W1-22178-00-00	TENSIONER .....	1	
26	97013-06012-00	BOLT .....	2	
27	92995-06100-00	WASHER, SPRING .....	2	
28	92901-06600-00	WASHER, PLATE .....	2	

CONTINUED ON NEXT FRAME ►

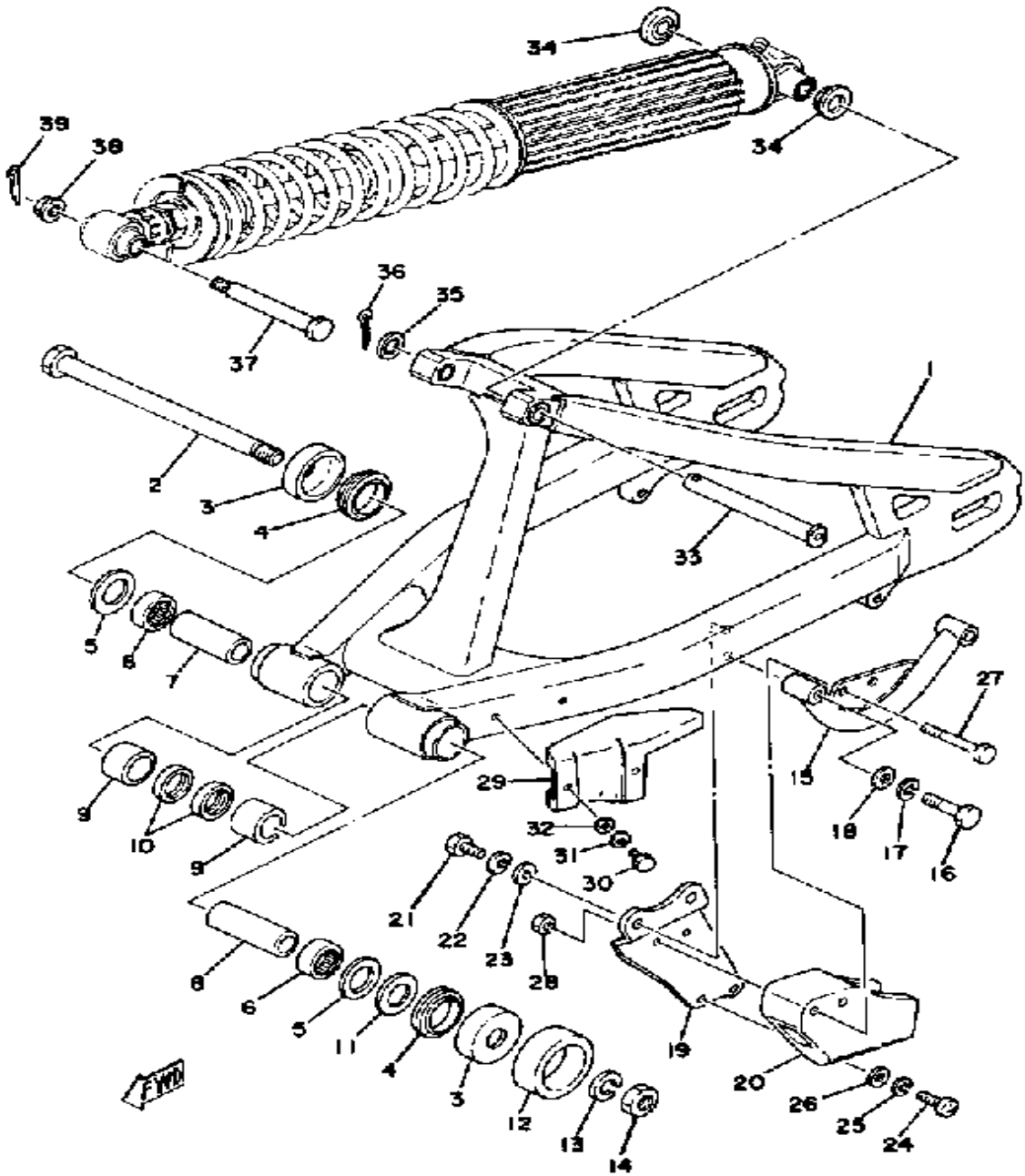
# SWING ARM YZ125E



Ref. No.	Part Number	Description	Qty	Remarks
29	90201-14411-00	WASHER, PLATE	2	
30	90179-06239-00	NUT, SPEC'L SHAPE	1	
31	ACC-11130-00-25	TENSIONER (2N0-22178-00-00)	1	
32	98501-05035-00	SCREW, PAN HEAD	2	
33	95311-05700-00	NUT	2	
34	1W1-22128-00-00	COVER, THRUST 1	2	
35	90240-12060-00	PIN, CLEVIS	1	
36	90201-122A7-00	WASHER, PLATE	1	
37	91401-30030-00	PIN, COTTER	1	
38	90109-08480-00	BOLT	1	
39	90179-08243-00	NUT, SPEC'L SHAPE	1	
40	91490-20020-00	PIN, COTTER	1	
41	2K8-22147-00-00	PROTECTOR, CHAIN	1	
42	2K8-2219X-00-00	COVER	1	



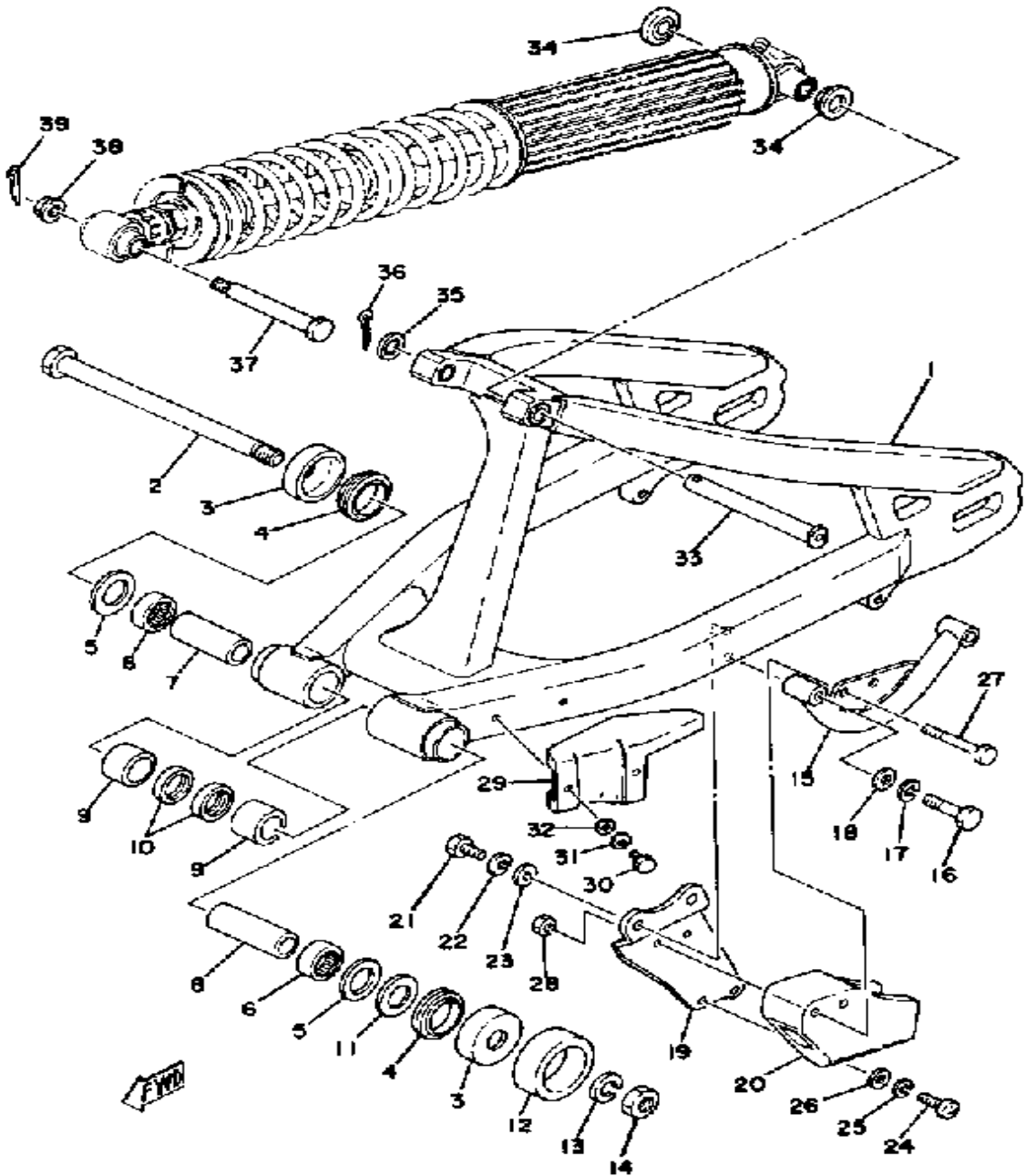
# SWING ARM YZ125F



Ref. No.	Part Number	Description	Qty	Remarks
1	(2X3-22110-00-35)	REAR ARM .....	1	SILVER
2	1W1-22141-00-00	SHAFT, PIVOT .....	1	
3	2K6-22128-01-00	COVER, THRUST 1 .....	2	
4	93108-35004-00	OIL SEAL .....	2	
5	90201-22680-00	WASHER, PLATE .....	2	
6	93317-22214-00	BEARING, CYLINDER.# 7 ....	2	
7	90380-16063-00	BUSH, SOLID .....	1	
8	90380-16056-00	BUSH, SOLID .....	1	
9	90386-22097-00	BUSH, SPEC'L NYLON .....	2	
10	93109-22018-00	OIL SEAL, SDO-TYPE .....	2	
11	240-22127-00-00	SHIM (0.3T) .....	1	
12	431-22151-03-00	SEAL, GUARD .....	1	
13	92901-16100-00	WASHER, SPRING .....	1	
14	90170-16111-00	NUT .....	1	
15	3R5-22153-00-00	GUARD, CHAIN .....	1	
16	97313-08035-00	BOLT, HEXAGON .....	2	
17	92990-08100-00	WASHER, SPRING .....	2	
18	92901-08600-00	WASHER, PLATE .....	2	
19	2X4-22179-00-00	ARM, TENSIONER .....	1	
20	2X4-22199-00-00	SUPPORT, CHAIN .....	1	
21	97313-08018-00	BOLT, HEXAGON .....	2	
22	92990-08100-00	WASHER, SPRING .....	2	
23	92901-08600-00	WASHER, PLATE .....	2	
24	98580-06020-00	SCREW, PAN HEAD .....	2	
25	92995-06100-00	WASHER, SPRING .....	2	
26	92901-06600-00	WASHER, PLATE .....	2	
27	97313-06050-00	BOLT .....	2	
28	95601-06100-00	NUT, U .....	2	
29	3R4-22147-00-00	PROTECTOR, CHAIN .....	1	

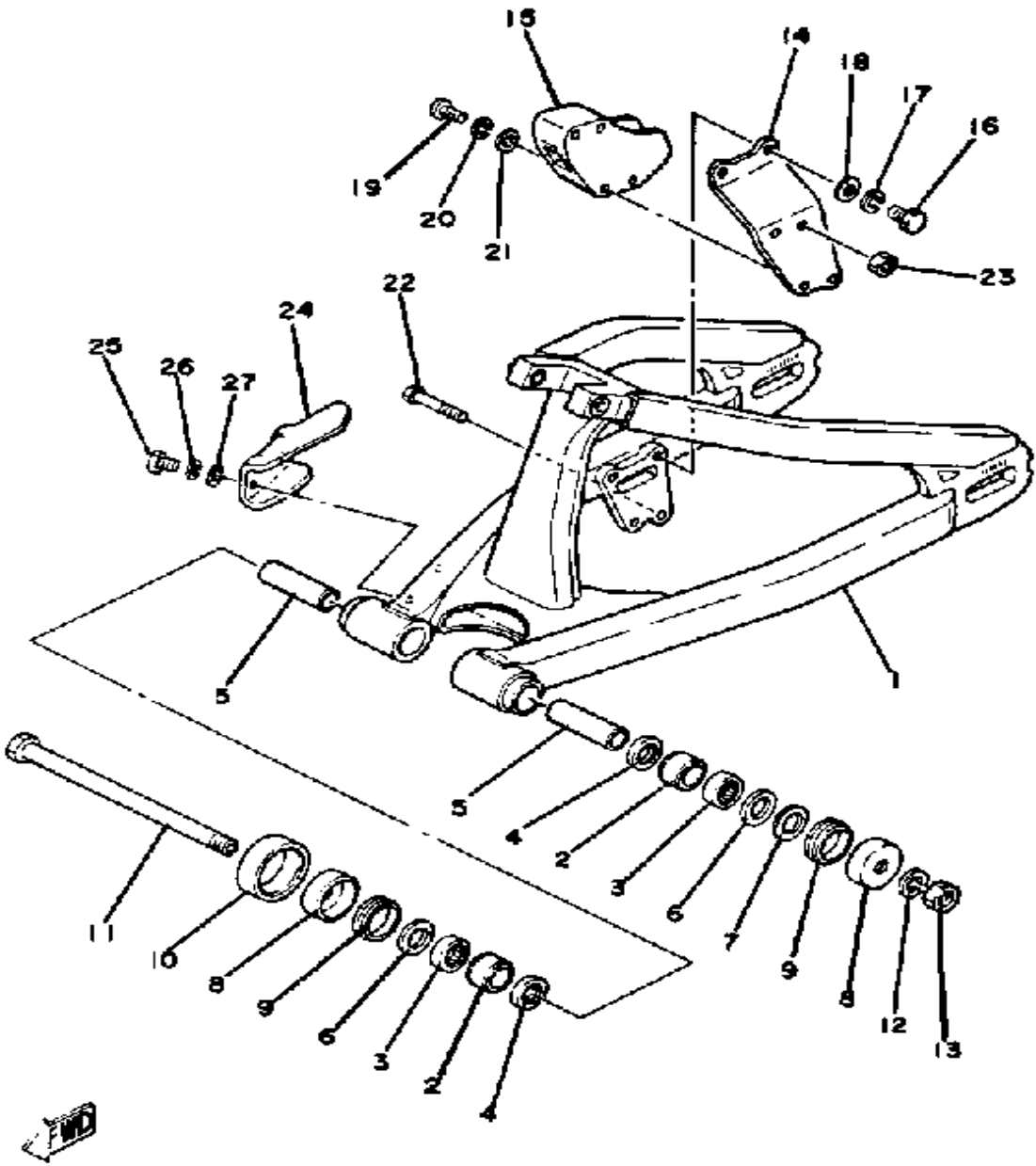
CONTINUED ON NEXT FRAME ►

# SWING ARM YZ125F



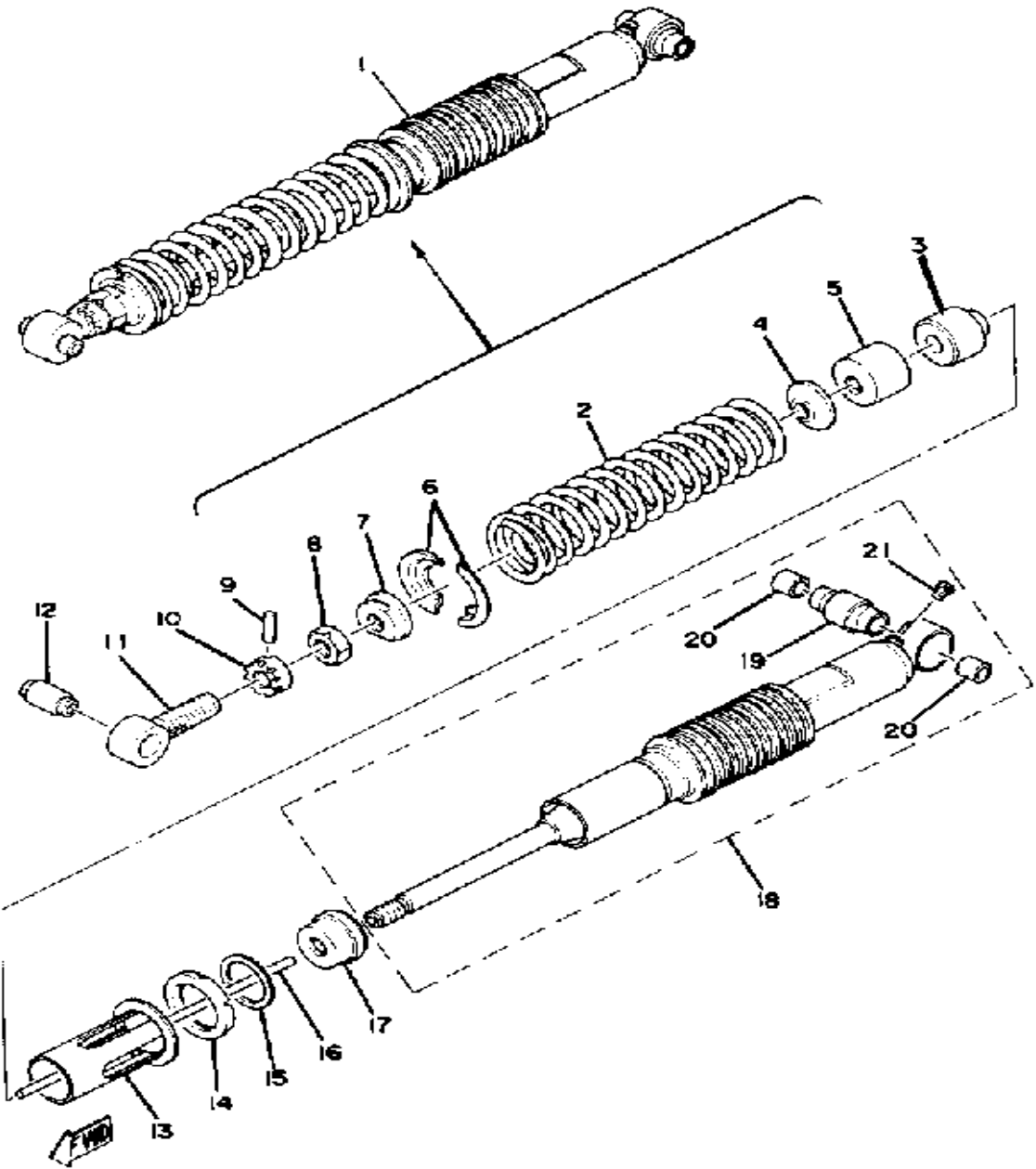
Ref. No.	Part Number	Description	Qty	Remarks
30	97313-05010-00	BOLT, HEXAGON	2	
31	92990-05100-00	WASHER, SPRING	2	
32	92990-05200-00	WASHER, PLAIN	2	
33	90240-12060-00	PIN, CLEVIS	1	
34	1W1-22128-00-00	COVER, THRUST 1	2	
35	92990-12600-00	WASHER, PLATE	1	
36	91401-30030-00	PIN, COTTER	1	
37	90109-08480-00	BOLT	1	
38	90179-08243-00	NUT, SPEC'L SHAPE	1	
39	91490-20020-00	PIN, COTTER	1	

# SWING ARM YZ125G



Ref. No.	Part Number	Description	Qty	Remarks
1	(3R3-22110-00-35)	REAR ARM .....	1	SILVER
2	90386-22097-00	BUSH, SPEC'L NYLON .....	2	
3	93317-22214-00	BEARING, CYLINDER.# 7 .....	2	
4	93109-22018-00	OIL SEAL, SDO-TYPE .....	2	
5	90380-16077-00	BUSH, SOLID .....	2	
6	90201-22680-00	WASHER, PLATE .....	2	
7	240-22127-00-00	SHIM (0.3T) .....	1	UN
8	2K6-22128-01-00	COVER, THRUST 1 .....	2	
9	93108-35004-00	OIL SEAL .....	2	
10	431-22151-03-00	SEAL, GUARD .....	1	
11	1W4-22141-00-00	SHAFT, PIVOT .....	1	
12	92901-16100-00	WASHER, SPRING .....	1	
13	90170-16111-00	NUT .....	1	
14	3R3-22179-00-00	ARM, TENSIONER .....	1	
15	3R3-22199-00-00	SUPPORT, CHAIN .....	1	
16	97313-08018-00	BOLT, HEXAGON .....	2	
17	92990-08100-00	WASHER, SPRING .....	2	
18	92901-08600-00	WASHER, PLATE .....	2	
19	98580-06020-00	SCREW, PAN HEAD .....	2	
20	92995-06100-00	WASHER, SPRING .....	2	
21	92901-06600-00	WASHER, PLATE .....	2	
22	97313-06055-00	BOLT, HEXAGON (97322-06055) .....	2	
23	95601-06100-00	NUT, U .....	2	
24	3R3-22147-00-00	PROTECTOR, CHAIN .....	1	
25	97313-05010-00	BOLT, HEXAGON .....	2	
26	92990-05100-00	WASHER, SPRING .....	2	
27	92990-05200-00	WASHER, PLAIN .....	2	

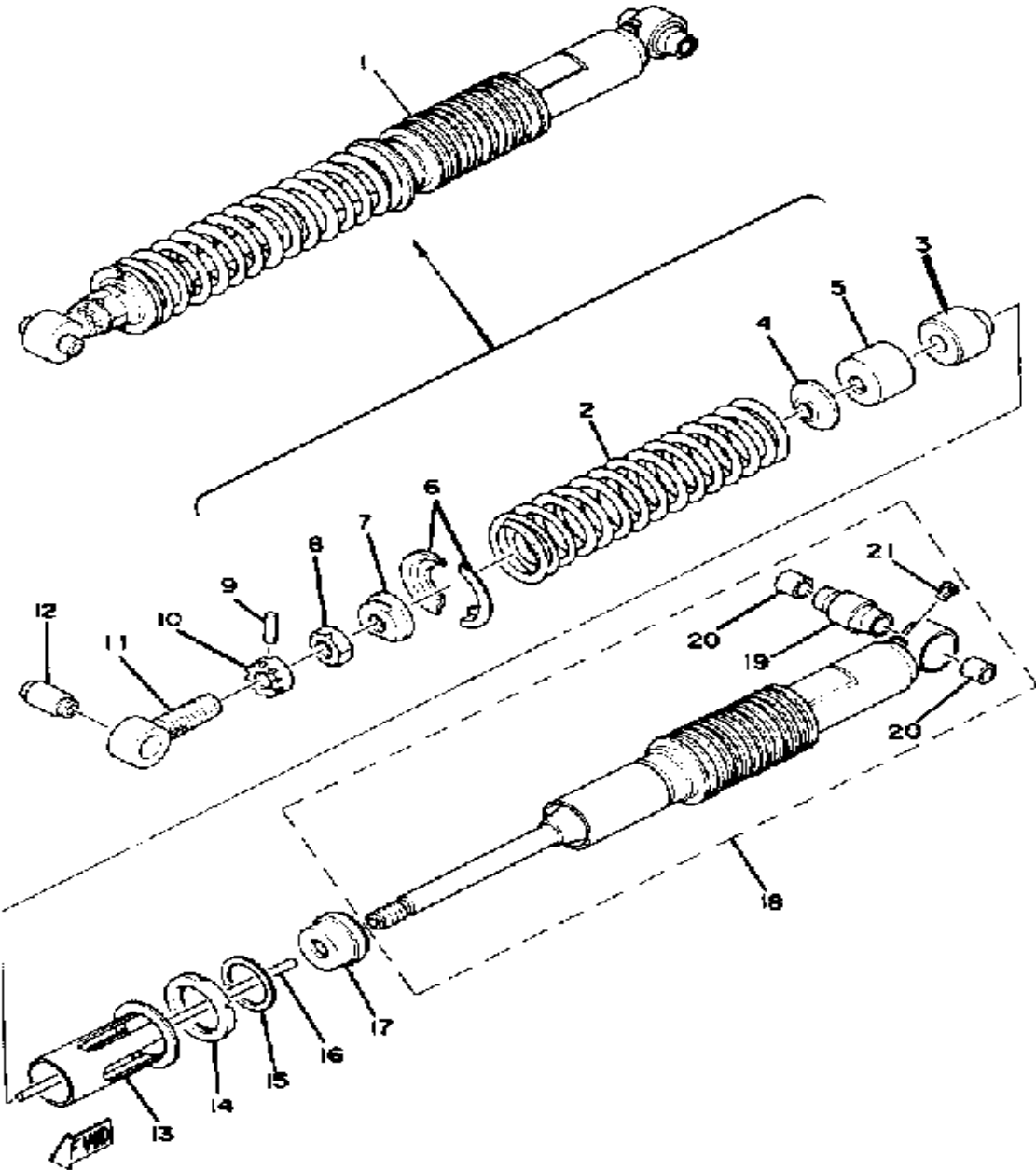
# REAR SHOCKS YZ125E - F



Ref. No.	Part Number	Description	Qty	Remarks
1	(2K6-22210-00-00)	SHK/ABS ASSEMBLY, REAR	1	
	(2X3-22210-00-00)	SHK/ABS ASSEMBLY, REAR	1	
2	(90501-98466-00)	SPRING, COMPRESSION	1	
	(90501-98477-00)	SPRING, COMPRESSION	1	ALT. PARTHARD (PAINTED RED)
	(90501-98478-00)	SPRING, COMPRESSION	1	ALT. PARTSOFT (PAINTED YELLOW)
	(90501-98540-00)	SPRING, COMPRESSION	1	PAINTED PINK
3	(1W1-22493-00-00)	BUMP, STOP	1	
	(2X4-22493-00-00)	BUMP, STOP	1	
4	(1W1-22228-00-00)	SUPPORT, BUMP STOP	1	
	(2X4-22228-00-00)	SUPPORT, BUMP STOP	1	
5	(1W1-22221-00-00)	COVER	1	
	(2X4-22221-00-00)	COVER	1	
6	2K6-22214-00-00	. GUIDE, SPRING 1	2	
7	(2K6-22213-00-00)	SEAT, SPRING UPPER	1	
8	90170-20320-00	. NUT	1	
9	93604-26132-00	. PIN, DOWEL	1	
10	(1W1-22497-00-00)	NUT, ADJUSTING	1	
11	(1W1-22219-00-00)	BRACKET, UPPER	1	
	(2X4-22219-00-00)	BRACKET, UPPER	1	
12	1YW-22216-00-00	. BUSH, REAR SHOCK ABSORBER	1	
13	(1W1-22224-00-00)	GUIDE, SPRING 2	1	
	(2X4-22224-00-00)	GUIDE, SPRING 2	1	
14	(1W1-22223-00-00)	SEAT, SPRING LOWER	1	
	(2X4-22223-00-00)	SEAT, SPRING LOWER	1	
15	(93440-50058-00)	CIRCLIP, OUTER	1	
16	(2K6-22489-00-00)	ROD, PUSH	1	
	(2X4-22489-00-00)	ROD, PUSH	1	

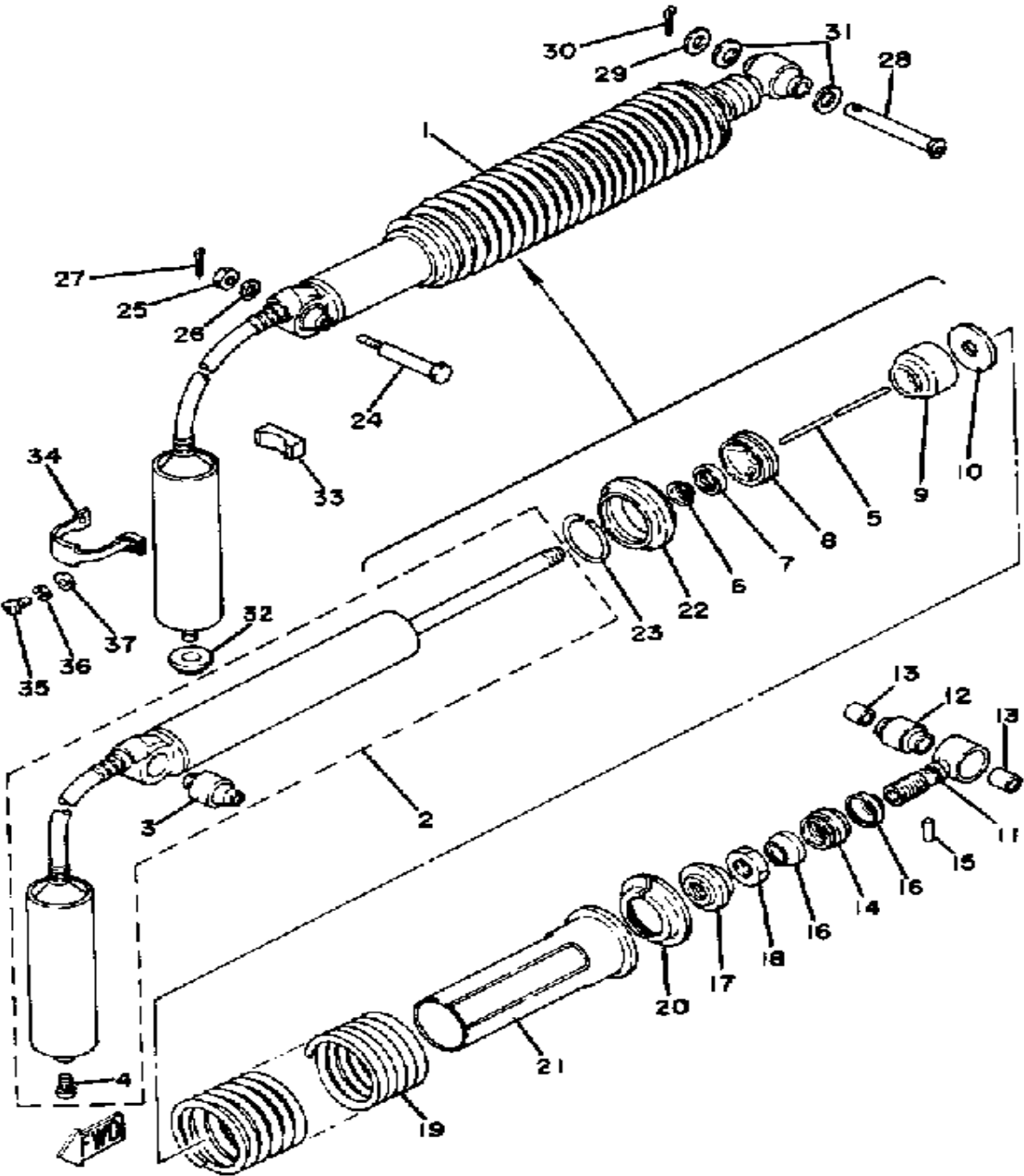
CONTINUED ON NEXT FRAME ►

# REAR SHOCKS YZ125E - F



Ref. No.	Part Number	Description	Qty	Remarks
17	(1W1-22472-00-00)	CAP, CASE .....	1	
	(2X4-22472-00-00)	CAP, CASE .....	1	
18	(2K6-22401-00-00)	DAMPER SUB-ASSEMBLY. ...	1	
	(2X3-22401-00-00)	DAMPER SUB-ASSEMBLY. ...	1	
19	1W1-22226-00-00	.. BUSH, SHOCK ABS LWR ..	1	
20	90380-12051-00	.. BUSH, SOLID .....	2	
21	98511-04006-00	.. SCREW, PAN HEAD .....	1	

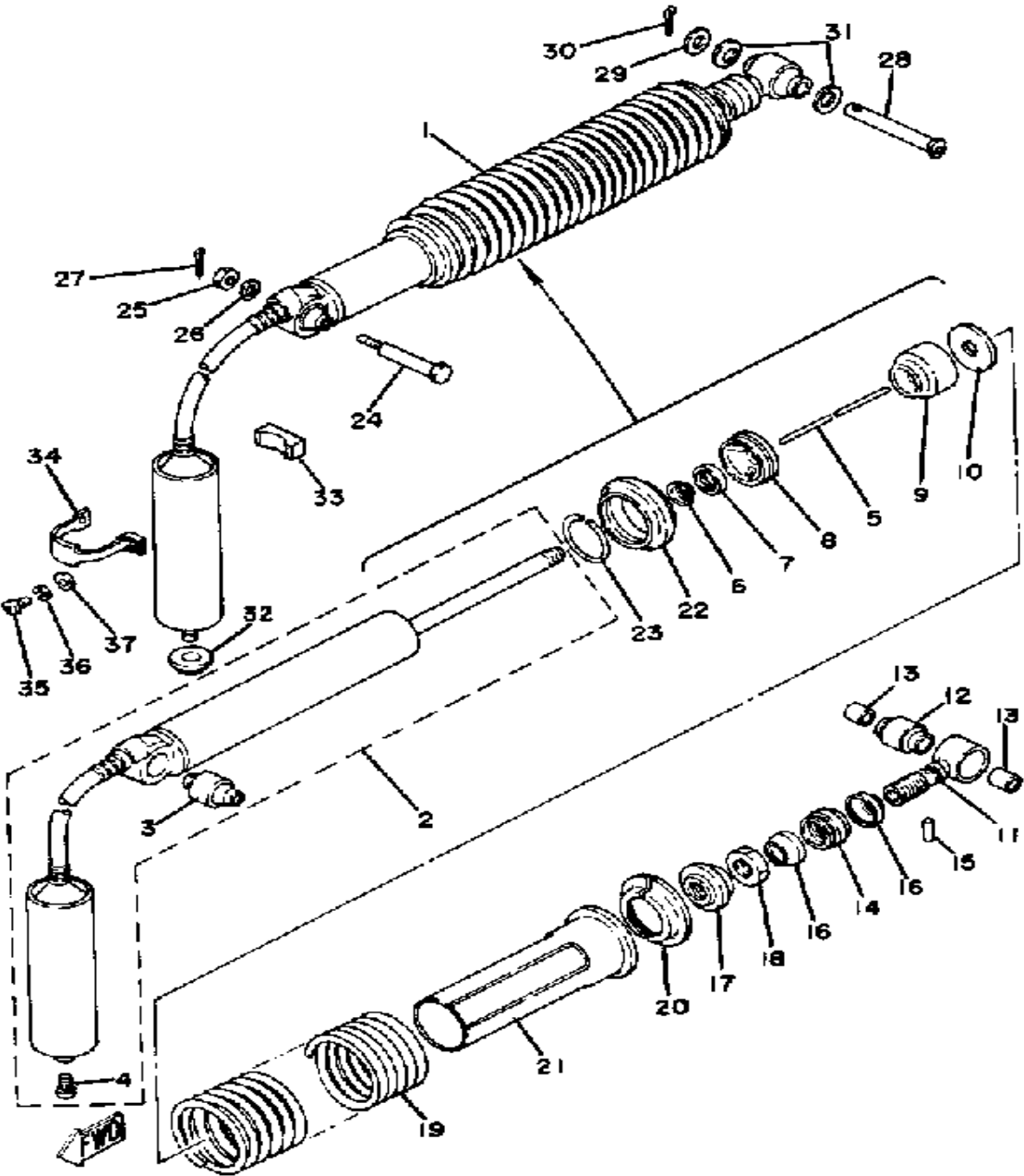
# REAR SHOCKS YZ125G



Ref. No.	Part Number	Description	Qty	Remarks
1	(3R3-22210-00-00)	SHK/ABS ASSEMBLY, REAR	1	
2	(3R3-22401-00-00)	DAMPER SUB-ASSEMBLY.	1	
3	1YW-22216-00-00	. . BUSH, REAR SHOCK ABSORBER	1	
4	98511-04006-00	. . SCREW, PAN HEAD	1	
5	(3R4-22489-00-00)	ROD, PUSH	1	
6	23X-22475-00-00	. SEAL, DUST 0 1	1	
7	23X-22475-00-00	. SEAL, DUST 0 1	1	
8	26A-22472-00-00	. CAP, CASE 0 1	1	
9	(1W1-22493-00-00)	BUMP, STOP	1	
10	3R4-22228-00-00	. SUPPORT, BUMP STOP	1	
11	3R4-22409-00-00	. UPPER BRKT SUB ASSEMBLY	1	
12	3R4-22226-00-00	. BUSH, SHOCK ABS LWR	1	
13	90380-12051-00	. BUSH, SOLID	2	
14	5X3-22497-00-00	. NUT, ADJUSTING	1	
15	93604-26132-00	. PIN, DOWEL	1	
16	3R4-22221-01-00	. COVER	2	
17	3R4-22213-00-00	. SEAT, SPRING UPPER	1	
18	90170-20320-00	. NUT	1	
19	(3R3-22212-00-00)	SPRING	1	U.R. STD
	(3R3-22212-10-00)	SPRING, MXS SOFT	1	U.R. ALT. PART
	3R3-22212-20-00	. SPRING, MXS HARD (HARD)	1	U.R. ALT. PART
20	3R4-22214-01-00	. GUIDE, SPRING 1 (3R4-22214-00)	2	
21	3R4-22224-00-00	. GUIDE, SPRING 2	1	
22	3R4-22223-00-00	. SEAT, SPRING LOWER	1	
23	93440-50078-00	. CIRCLIP, OUTER	1	
24	90109-10550-00	BOLT	1	
25	95303-10700-00	NUT	1	

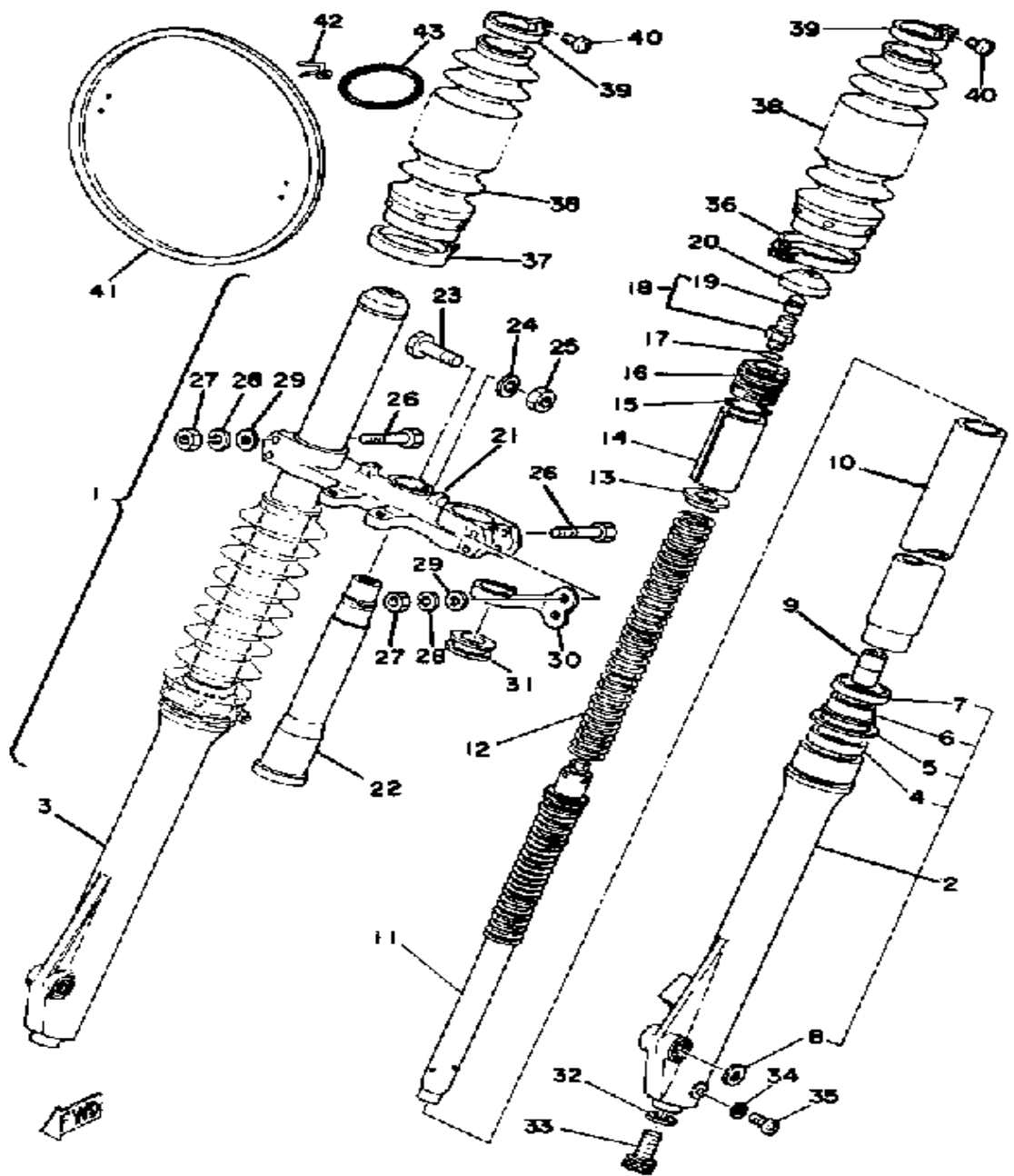
CONTINUED ON NEXT FRAME ➤

# REAR SHOCKS YZ125G



Ref. No.	Part Number	Description	Qty	Remarks
26	92990-10600-00	WASHER, PLATE	1	
27	91490-20025-00	PIN, COTTER (91490-20020-00)	1	
28	90240-12074-00	PIN, CLEVIS	1	
29	92990-12600-00	WASHER, PLATE	1	
30	91401-30030-00	PIN, COTTER	1	
31	1W1-22128-00-00	COVER, THRUST 1	2	
32	90480-22263-00	GROMMET	1	
33	3R4-22261-00-00	DAMPER, SUB TANK	1	
34	3R3-22262-00-00	HOLDER, SUB TANK	1	
35	98503-06014-00	SCREW, PAN HEAD	1	
36	92995-06100-00	WASHER, SPRING	1	
37	92901-06600-00	WASHER, PLATE	1	

# FRONT FORK YZ125E

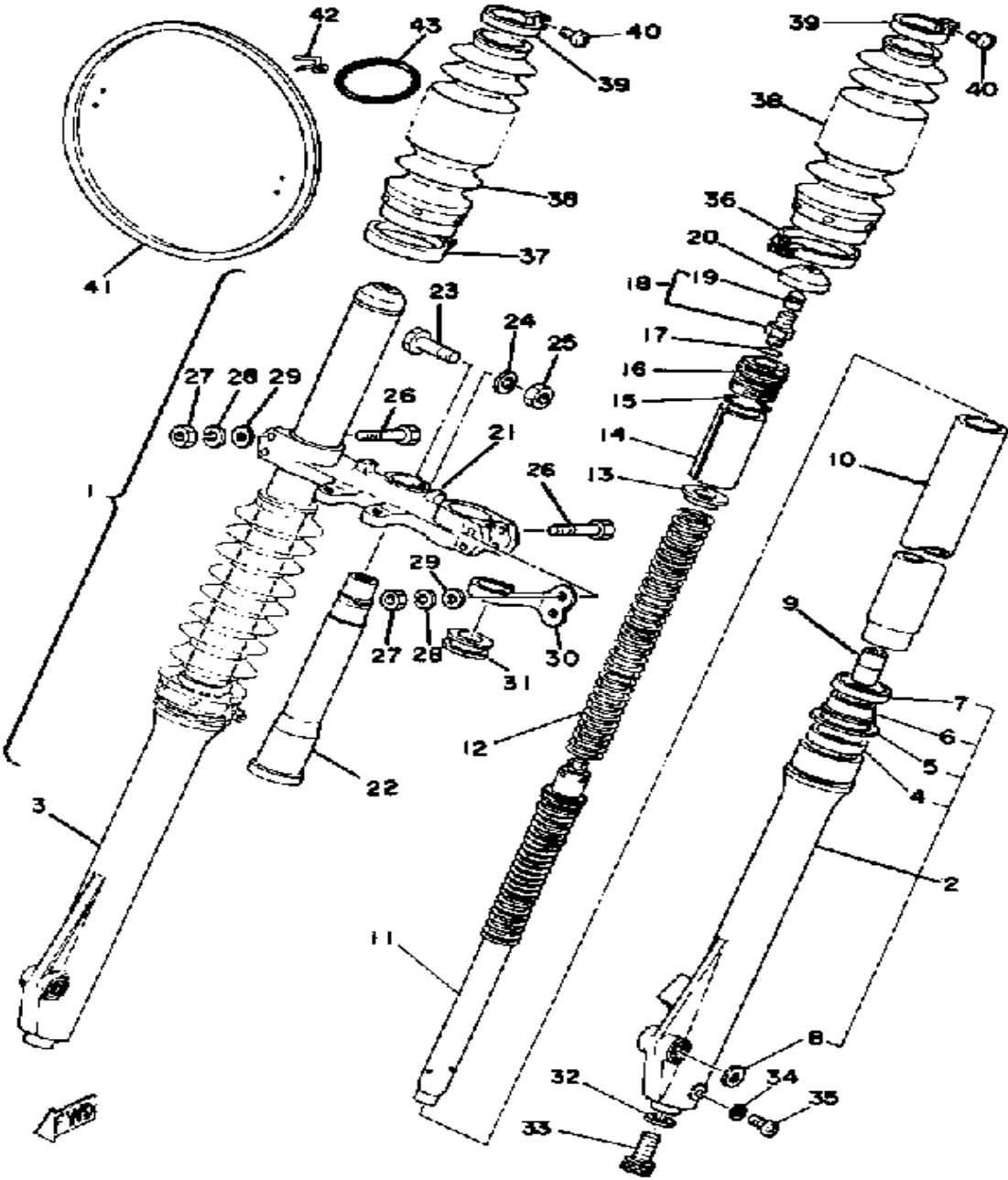


Ref. No.	Part Number	Description	Qty	Remarks
1	(2K6-23101-L0-00)	FRONT FORK ASSEMBLY	1	
2	(2K6-23126-L0-00)	TUBE, OUTER 1	1	
3	(2K6-23136-L0-00)	TUBE, OUTER 2	1	
4	48Y-23145-00-00	.. OIL SEAL	2	
5	1W1-23156-L0-00	.. CLIP, OIL SEAL	2	
6	1G8-23144-L1-00	.. SEAL, DUST	2	
7	3R8-23148-L0-00	. COVER, DUST SEAL	1	
	509-23144-L0-00	. SEAL, DUST	1	
	99999-01510-00	.. COVER, DUST SEAL	2	
8	1W1-23168-L0-00	.. CAP, FRONT FORK	2	
9	1W1-23173-L0-00	. SPINDLE, TAPER	2	
10	(2K6-23110-L0-00)	INNER TUBE 1	2	
11	(1W1-23170-L0-00)	CYLINDER, FRTRFK	2	
12	(1W1-23141-10-00)	SPRING, FRONT FORK	2	ALT. PARTSOFT (USE SPACER 1W1.23118.10)
	(1W1-23141-20-00)	SPRING, FRONT FORK	2	ALT. PARTHARD (USE SPACER 1W1.23118.10)
	(1W1-23141-L0-00)	SPRING, FRONT FORK	2	
13	1W1-23142-L0-00	. SEAT, SPRING UPPER	2	
14	(1W1-23118-L0-00)	SPACER	2	
	38V-23118-01-00	SPACER	2	ALT. PART
15	1W1-23114-L0-00	. GASKET	2	
16	1W1-23111-L0-00	. BOLT, CAP	2	
17	509-23163-L0-00	. O-RING	2	
18	509-23190-L0-00	. AIR VALVE	2	
19	509-23184-L0-00	.. CAP, AIR VALVE	2	
20	1W1-23185-L0-00	. COVER, VALVE	2	
21	(1W1-23345-L0-33)	BRACKET, LOWER	1	YAMAHA BLK

CONTINUED ON NEXT FRAME ►

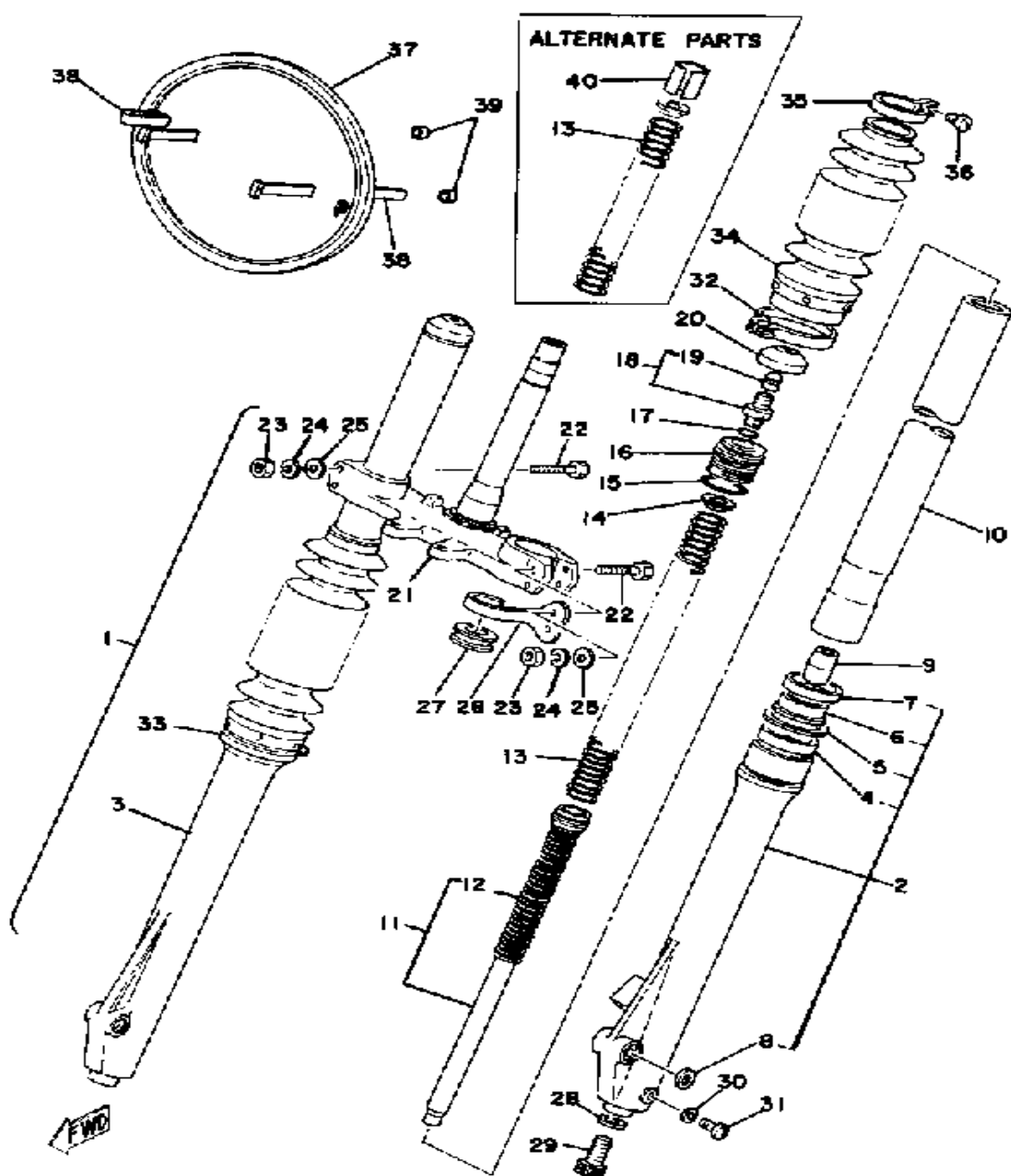


# FRONT FORK YZ125E



Ref. No.	Part Number	Description	Qty	Remarks
22	(1W1-23341-L0-00)	SHAFT, STEERING	1	
23	(1W1-23356-L0-00)	BOLT 2	1	
24	92990-10100-00	. WASHER, SPRING	1	
25	(322-23357-00-00)	NUT	1	
26	90101-08340-00	. BOLT	4	
27	95333-08600-00	. NUT	4	
28	92990-08100-00	. WASHER, SPRING	4	
29	92901-08600-00	. WASHER, PLATE	4	
30	1W1-23317-01-00	. HOLDER, CABLE	1	
31	1W1-23389-00-00	. GUIDE, CABLE	1	
32	509-23158-L0-00	. GASKET	2	
33	278-23181-50-00	. BOLT, HEXAGON SOCKET HEAD	2	
34	122-23129-00-00	. GASKET, DRAIN PLUG	2	
	98580-04008-00	. SCREW, PAN HEAD	2	
36	1W1-23318-L0-00	HOLDER, CABLE 1	1	
37	509-23489-L0-00	BAND	1	
38	2K6-23191-L0-00	BOOT, FRONT FORK	2	YELLOW
39	341-92090-60-00	BAND, BOOT	2	
40	509-23194-L0-00	SCREW, BOOT BAND	2	
41	(90446-09158-00)	HOSE	2	
	(99999-01016-00)	PLATE NUMBER	1	
	2X4-23489-00-00	. BAND	2	
	3R0-23485-00-00	. PLATE, NUMBER	1	
42	431-23486-02-00	STAY, PLATE	2	
43	93210-69355-00	O-RING (3.0-69.0)	2	

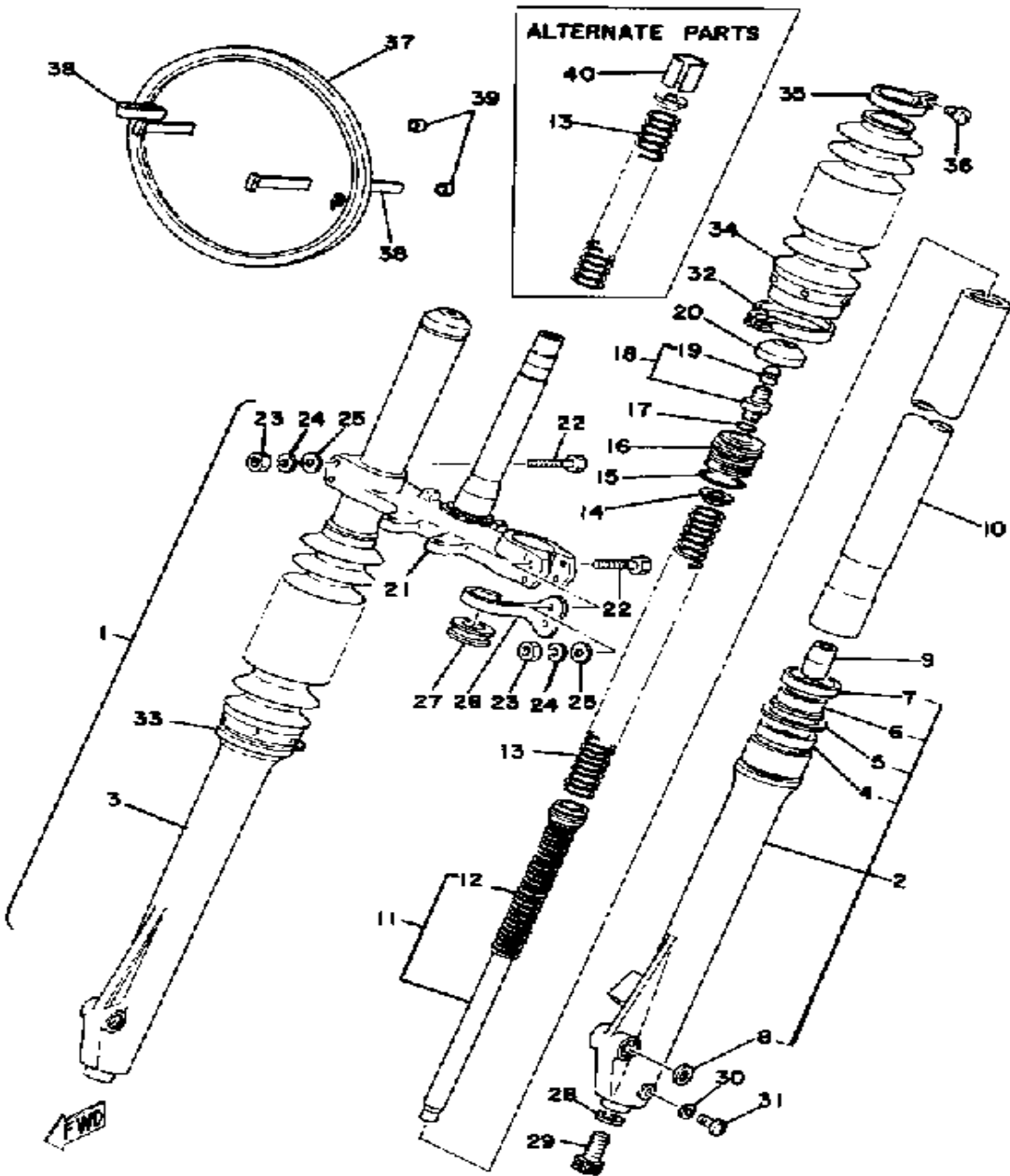
# FRONT FORK YZ125F



Ref. No.	Part Number	Description	Qty	Remarks
1	(2X3-23101-L0-00)	FRONT FORK ASSEMBLY	1	
2	(2X3-23126-L0-00)	TUBE, OUTER 1	1	
3	(2X3-23136-L0-00)	TUBE, OUTER 2	1	
4	48Y-23145-00-00	. . OIL SEAL	2	
5	1W1-23156-L0-00	. . CLIP, OIL SEAL	2	
6	1G8-23144-L1-00	. . SEAL, DUST	2	
7	3R8-23148-L0-00	. COVER, DUST SEAL	1	
	509-23144-L0-00	. SEAL, DUST	1	
	99999-01510-00	. . COVER, DUST SEAL	2	
8	1W1-23168-L0-00	. . CAP, FRONT FORK	2	
9	1W1-23173-L0-00	. SPINDLE, TAPER	2	
10	(2X3-23110-L0-00)	INNER TUBE 1	2	
11	(2X3-23170-L0-00)	CYLINDER, FRTRFRK	2	
12	(2X3-23152-00-00)	SPRING, SUB	2	
13	(2X3-23141-10-00)	SPRING, FRONT FORK	2	SOFT (USE SPACE 1W1.23118)
	(2X3-23141-20-00)	SPRING, FRONT FORK	2	HARD (SPACER NOT NEEDED)
	(2X3-23141-L0-00)	SPRING, FRONT FORK	2	
14	1W1-23142-L0-00	SEAT, SPRING UPPER	2	
15	1W1-23114-L0-00	GASKET	2	
16	1W1-23111-L0-00	BOLT, CAP	2	
17	509-23163-L0-00	O-RING	2	
18	509-23190-L0-00	AIR VALVE	2	
19	509-23184-L0-00	. CAP, AIR VALVE	2	
20	1W1-23185-L0-00	. COVER, VALVE	1	
21	(2X7-23340-00-33)	UNDER BRACKET	1	YAMAHA BLK
22	90101-08340-00	. BOLT	4	
23	95333-08600-00	. NUT	4	

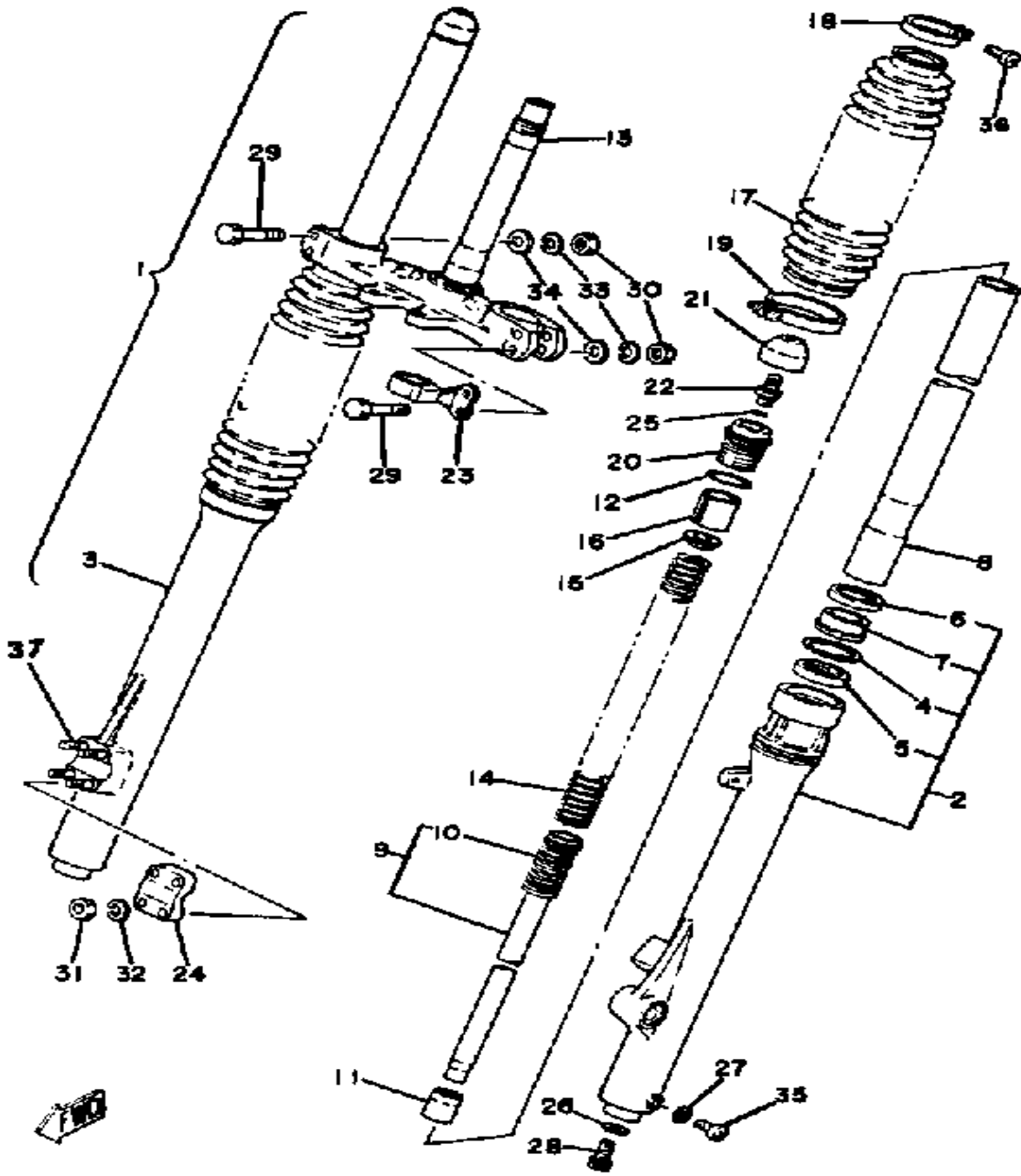
CONTINUED ON NEXT FRAME ►

# FRONT FORK YZ125F



Ref. No.	Part Number	Description	Qty	Remarks
24	92990-08100-00	. WASHER, SPRING	4	
25	92901-08600-00	. WASHER, PLATE	4	
26	1W1-23317-01-00	. HOLDER, CABLE	1	
27	1W1-23389-00-00	. GUIDE, CABLE	1	
28	509-23158-L0-00	. GASKET	2	
29	278-23181-50-00	. BOLT, HEXAGON SOCKET HEAD	2	
30	122-23129-00-00	. GASKET, DRAIN PLUG	2	
31	98580-04008-00	. SCREW, PAN HEAD	2	
32	1W1-23318-L0-00	HOLDER, CABLE 1	1	
33	509-23489-L0-00	BAND	1	
34	(2X3-23191-L0-00)	BOOT, FRONT FORK	2	YELLOW
35	341-92090-60-00	BAND, BOOT	2	
36	509-23194-L0-00	SCREW, BOOT BAND	2	
37	3R0-23485-00-00	PLATE, NUMBER	1	
38	2X4-23489-00-00	BAND	2	
39	(90446-09158-00)	HOSE	2	
40	(1W1-23118-L0-00)	SPACER	2	FOR 2X3-23141-10

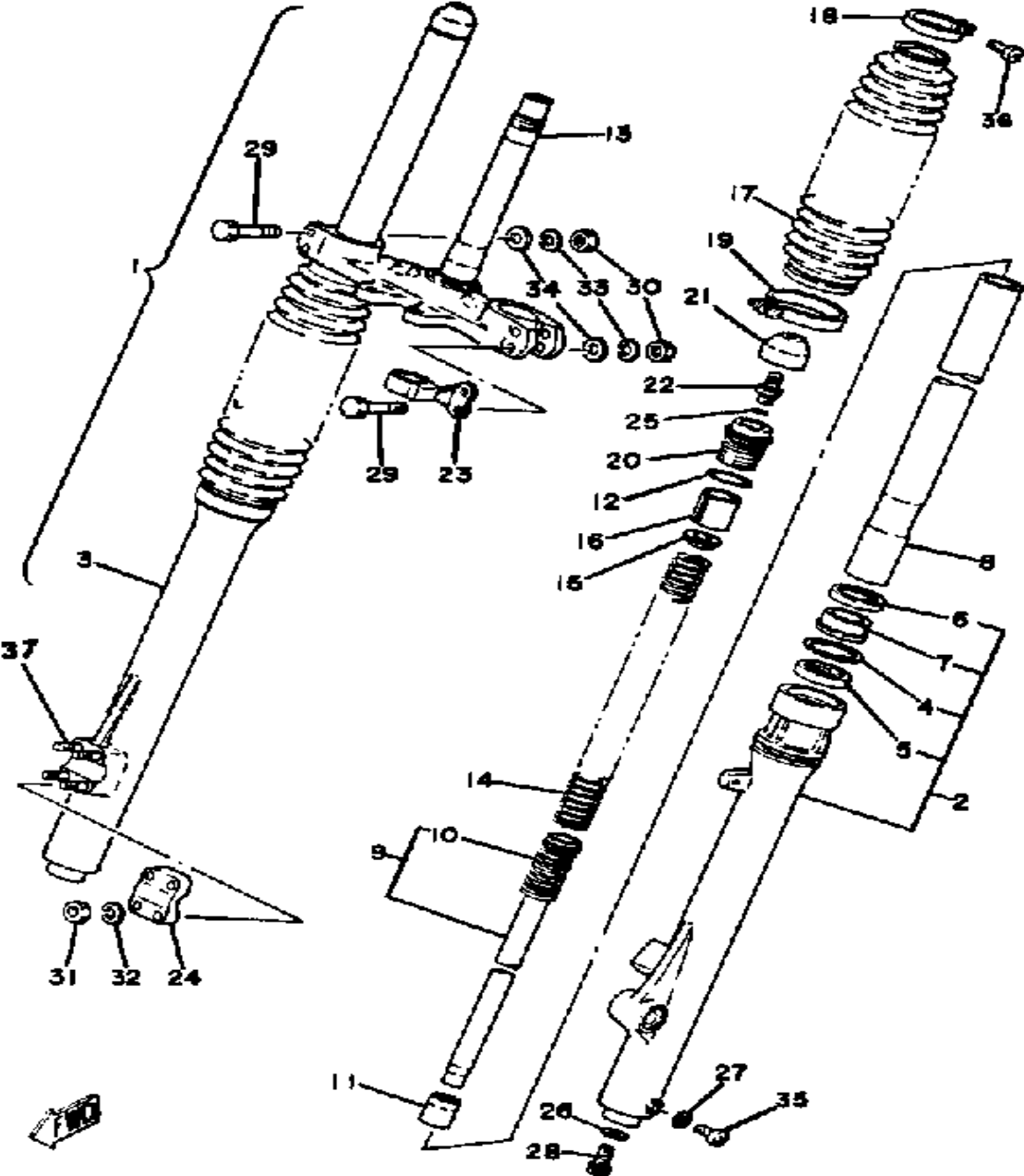
# FRONT FORK YZ125G



Ref. No.	Part Number	Description	Qty	Remarks
1	(3R3-23101-L0-00)	FRONT FORK ASSEMBLY	1	
2	(3R3-23126-L0-00)	TUBE, OUTER 1	1	
3	(3R3-23136-L0-00)	TUBE, OUTER 2	1	
4	4A1-23156-00-00	.. CLIP, OIL SEAL	2	
5	48Y-23145-00-00	.. OIL SEAL	2	
6	509-23144-L0-00	.. SEAL, DUST	2	
7	3R8-23148-L0-00	.. COVER, DUST SEAL	2	
8	(3R3-23110-L0-00)	INNER TUBE 1	2	
9	(3R3-23170-L0-00)	CYLINDER, FRTFRK	2	
10	(1W1-23151-L0-00)	SPRING, REBOUND	2	
11	39K-23173-00-00	. SPINDLE, TAPER	2	
12	1W1-23114-L0-00	. GASKET	2	
13	(2X7-23340-00-33)	UNDER BRACKET	1	YAMAHA BLK
14	(3R3-23141-10-00)	SPRING, FRONT FORK	2	U.R. ALT. PART
	(3R3-23141-20-00)	SPRING, FRONT FORK	2	U.R. ALT. PART
	(3R3-23141-L0-00)	SPRING, FRONT FORK	2	STD
15	1W1-23142-L0-00	. SEAT, SPRING UPPER	2	
16	38V-23118-01-00	. SPACER	2	
17	3R3-23191-L0-00	. BOOT, FRONT FORK	2	
18	341-92090-60-00	. BAND, BOOT	2	
19	509-23489-L0-00	. BAND	2	
20	1W1-23111-L0-00	. BOLT, CAP	2	
21	1W1-23185-L0-00	. COVER, VALVE	2	
22	509-23190-L0-00	. AIR VALVE	2	
23	3R4-23389-00-00	. GUIDE, CABLE	1	
24	(3R3-23167-L0-00)	HOLDER, AXLE	1	
25	509-23163-L0-00	. O-RING	2	
26	509-23158-L0-00	. GASKET	2	
27	122-23129-00-00	. GASKET, DRAIN PLUG	2	

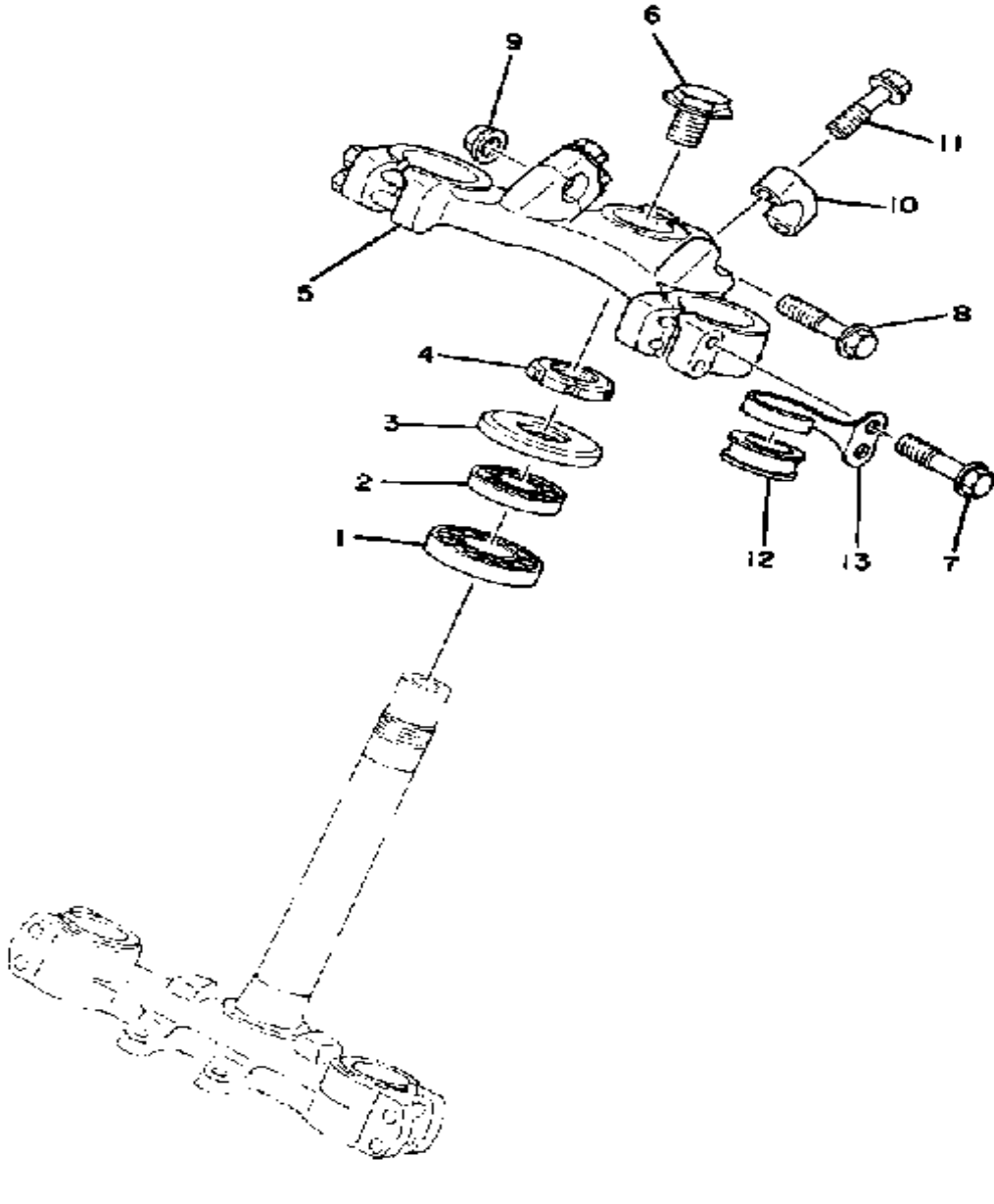
CONTINUED ON NEXT FRAME ➤

# FRONT FORK YZ125G



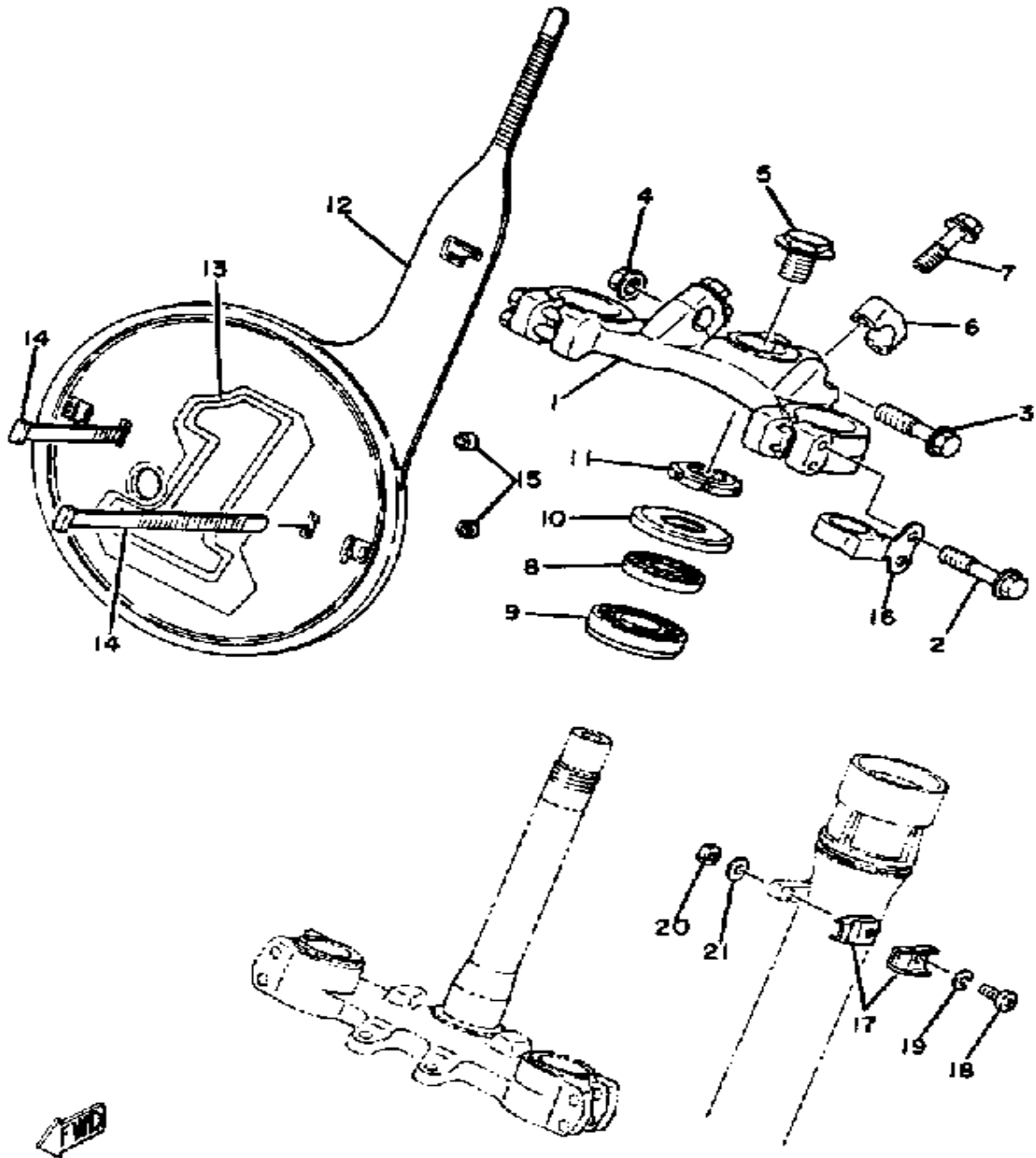
Ref. No.	Part Number	Description	Qty	Remarks
28	278-23181-50-00	. BOLT, HEXAGON SOCKET HEAD .....	2	
29	90101-08340-00	. BOLT .....	4	
30	95333-08600-00	. NUT .....	4	
31	95380-06600-00	. NUT, HEXAGON .....	4	
32	92995-06100-00	. WASHER, SPRING .....	4	
33	92990-08100-00	. WASHER, SPRING .....	4	
34	92901-08600-00	. WASHER, PLATE .....	4	
35	98580-04008-00	. SCREW, PAN HEAD .....	2	
36	509-23194-L0-00	. SCREW, BOOT BAND .....	2	
37	95612-06625-00	. BOLT, STUD .....	4	

# STEERING YZ125E - F



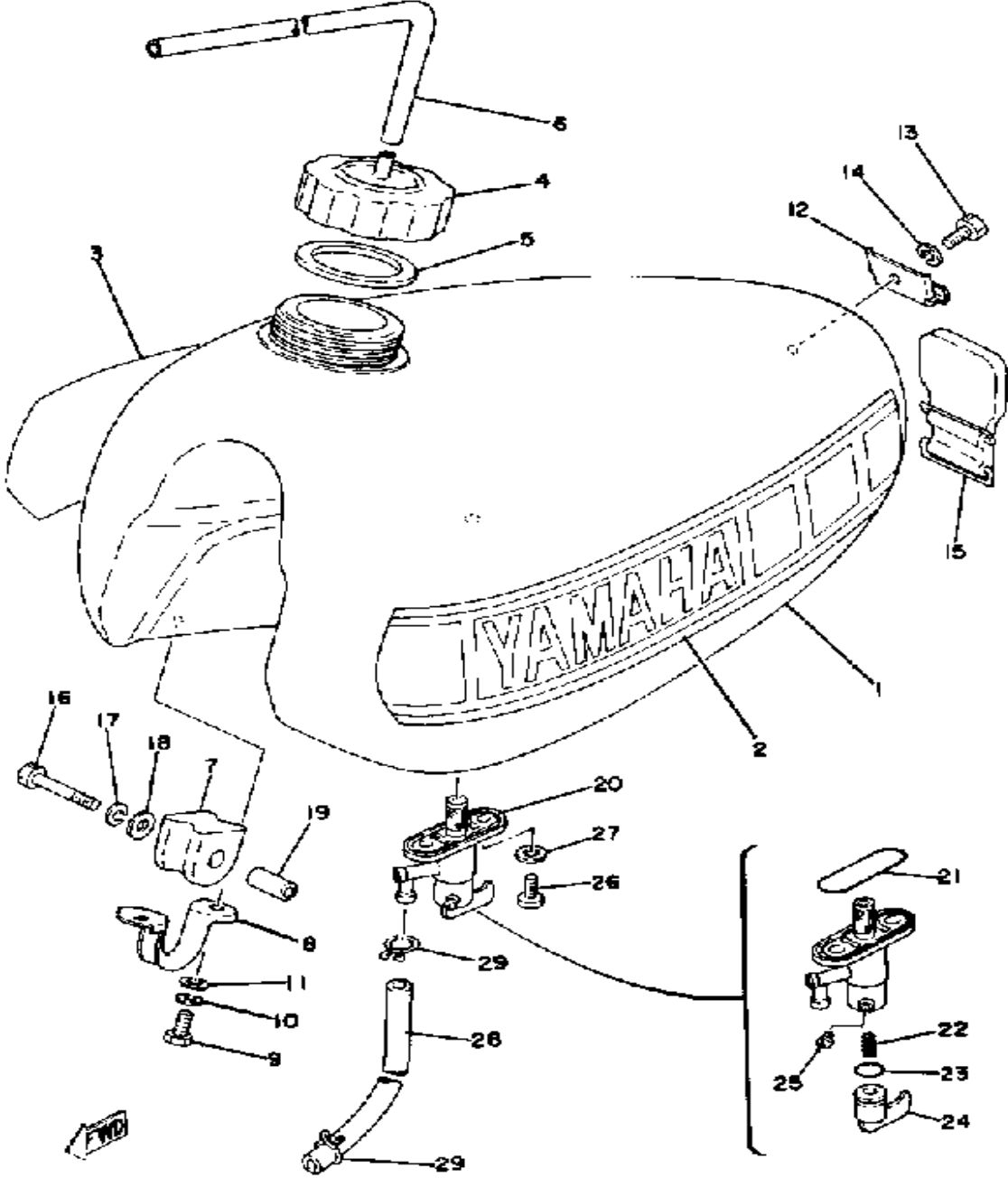
Ref. No.	Part Number	Description	Qty	Remarks
1	93332-00008-00	BEARING .....	1	
2	93332-00001-00	BEARING .....	1	
3	3HE-23416-00-00	COVER, BALL RACE 2 .....	1	
4	90179-25033-00	NUT .....	1	
5	5X3-23435-01-98	CROWN, HANDLE .....	1	LOW GLOSS BLK
6	90105-14136-00	BOLT, WASHER BASED .....	1	
7	90105-08091-00	BOLT, WASHER BASED .....	4	
8	95811-08055-00	BOLT, FLANGE .....	1	
9	95701-08500-00	NUT, FLANGE .....	1	
10	1E6-23441-00-00	HOLDER, HANDLE UPR (1E6-23441-00-98) .....	2	
11	95811-08035-00	BOLT, FLANGE .....	4	
12	1W1-23389-00-00	GUIDE, CABLE .....	1	
13	1W1-23317-01-00	HOLDER, CABLE .....	1	

# STEERING YZ125G



Ref. No.	Part Number	Description	Qty	Remarks
1	5X3-23435-01-98	CROWN, HANDLE .....	1	LOW GLOSS BLK
2	90105-08091-00	BOLT, WASHER BASED .....	4	
3	95811-08055-00	BOLT, FLANGE .....	1	
4	95701-08500-00	NUT, FLANGE .....	1	
5	90105-14136-00	BOLT, WASHER BASED .....	1	
6	1E6-23441-00-00	HOLDER, HANDLE UPR (1E6-23441-00-98) .....	1	LOW GLOSS BLK
7	95811-08035-00	BOLT, FLANGE .....	4	
8	93332-00001-00	BEARING .....	1	
9	3HE-23416-00-00	COVER, BALL RACE 2 .....	1	
	93332-00008-00	BEARING .....	1	
11	90179-25033-00	NUT .....	1	
12	3R4-23485-00-00	PLATE, NUMBER .....	1	
13	3R2-21782-00-00	EMBLEM 2 .....	1	
14	2X4-23489-00-00	BAND .....	2	
15	(90446-09158-00)	HOSE .....	2	
16	3R4-23317-00-00	HOLDER, CABLE .....	1	
17	90462-14055-00	CLAMP .....	2	
18	98511-06025-00	SCREW PAN HEAD .....	1	
19	92995-06100-00	WASHER, SPRING .....	1	
20	95380-06600-00	NUT, HEXAGON .....	1	
21	92901-06600-00	WASHER, PLATE .....	1	

# FUEL TANK YZ125E - F

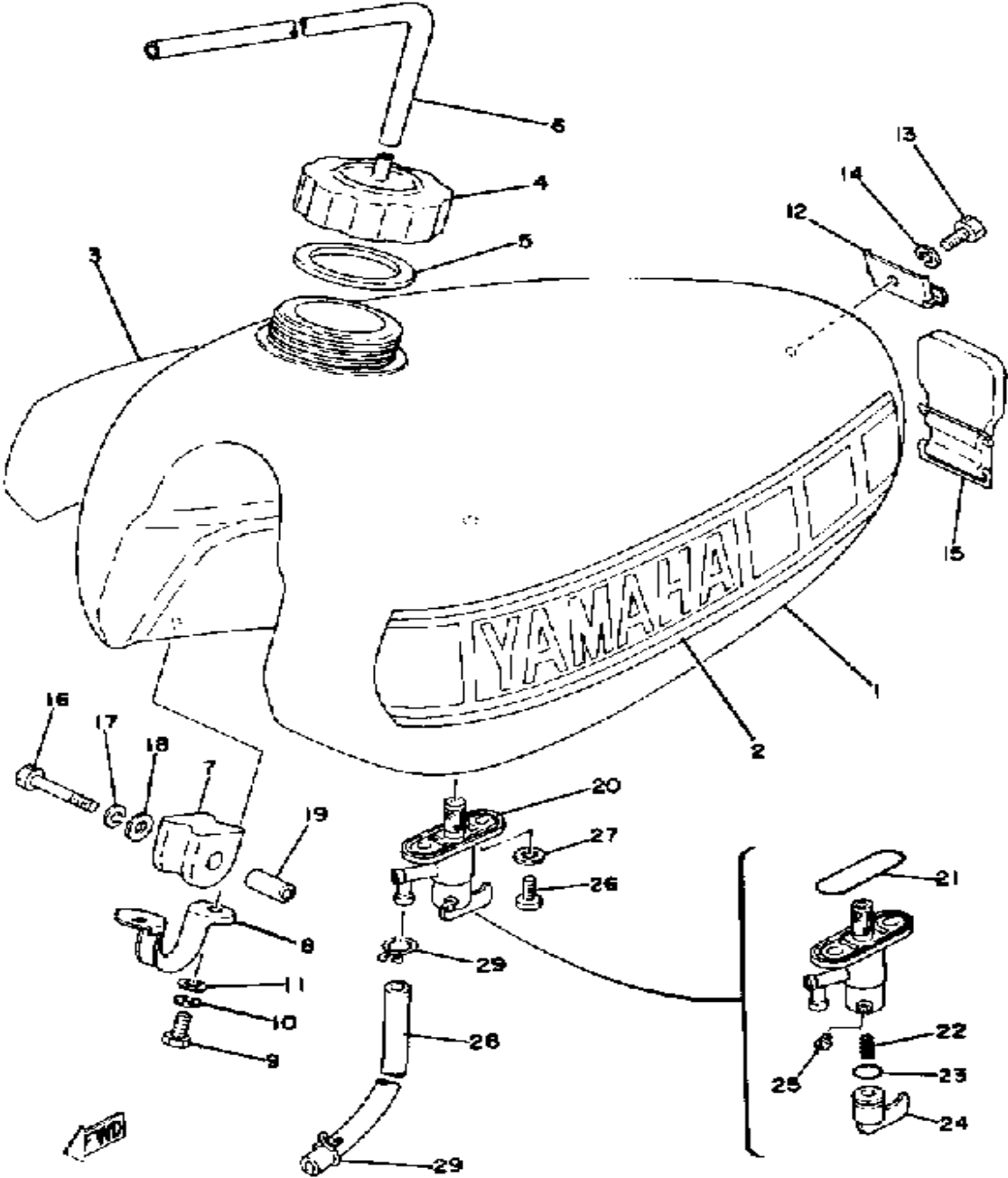


Ref. No.	Part Number	Description	Qty	Remarks
1	(1W1-24110-00-00)	FUEL TANK .....	1	COMP. YELLOW
	(2X3-24110-00-00)	FUEL TANK .....	1	
2	1W1-24244-00-00	GRAPHIC, FUEL TNK 1 .....	1	
	2X3-24244-20-00	GRAPHIC, FUEL TNK 1 .....	1	
3	1W1-24245-00-00	GRAPHIC, FUEL TNK 2 .....	1	
	2X3-24245-20-00	GRAPHIC, FUEL TNK 2 .....	1	
4	1W1-24611-00-00	BODY, CAP .....	1	
5	1W1-24612-00-00	GASKET, CAP .....	1	
6	90445-09361-00	HOSE .....	1	
7	1W1-24182-01-00	DAMPER, LOCATING 2 .....	2	
8	1W1-24144-01-00	HOLDER, DAMPER .....	2	
9	97013-06012-00	BOLT .....	4	
10	92995-06100-00	WASHER, SPRING .....	4	
11	92901-06600-00	WASHER, PLATE .....	4	
12	1W1-24192-00-00	BRACKET, FUEL TNK 2 .....	1	
13	97013-06012-00	BOLT .....	1	
14	92995-06100-00	WASHER, SPRING .....	1	
15	1W1-24173-00-00	BAND, TNK FITTING 1 .....	1	
16	97013-06035-00	BOLT .....	2	
17	92995-06100-00	WASHER, SPRING .....	2	
18	90201-06407-00	WASHER, PLATE .....	2	
19	90387-07393-00	COLLAR .....	2	
20	2K5-24500-00-00	FUEL COCK ASSEMBLY 1 ...	1	
21	214-24512-00-00	. GASKET .....	1	
22	1A0-24529-01-00	. SPRING .....	1	
23	1A0-24512-00-00	. O-RING .....	1	
24	1A0-24524-01-00	. LEVER, COCK .....	1	
25	619-24535-00-00	. SCREW, LVR FITTING .....	1	
26	90149-06011-00	SCREW .....	2	

CONTINUED ON NEXT FRAME ➤

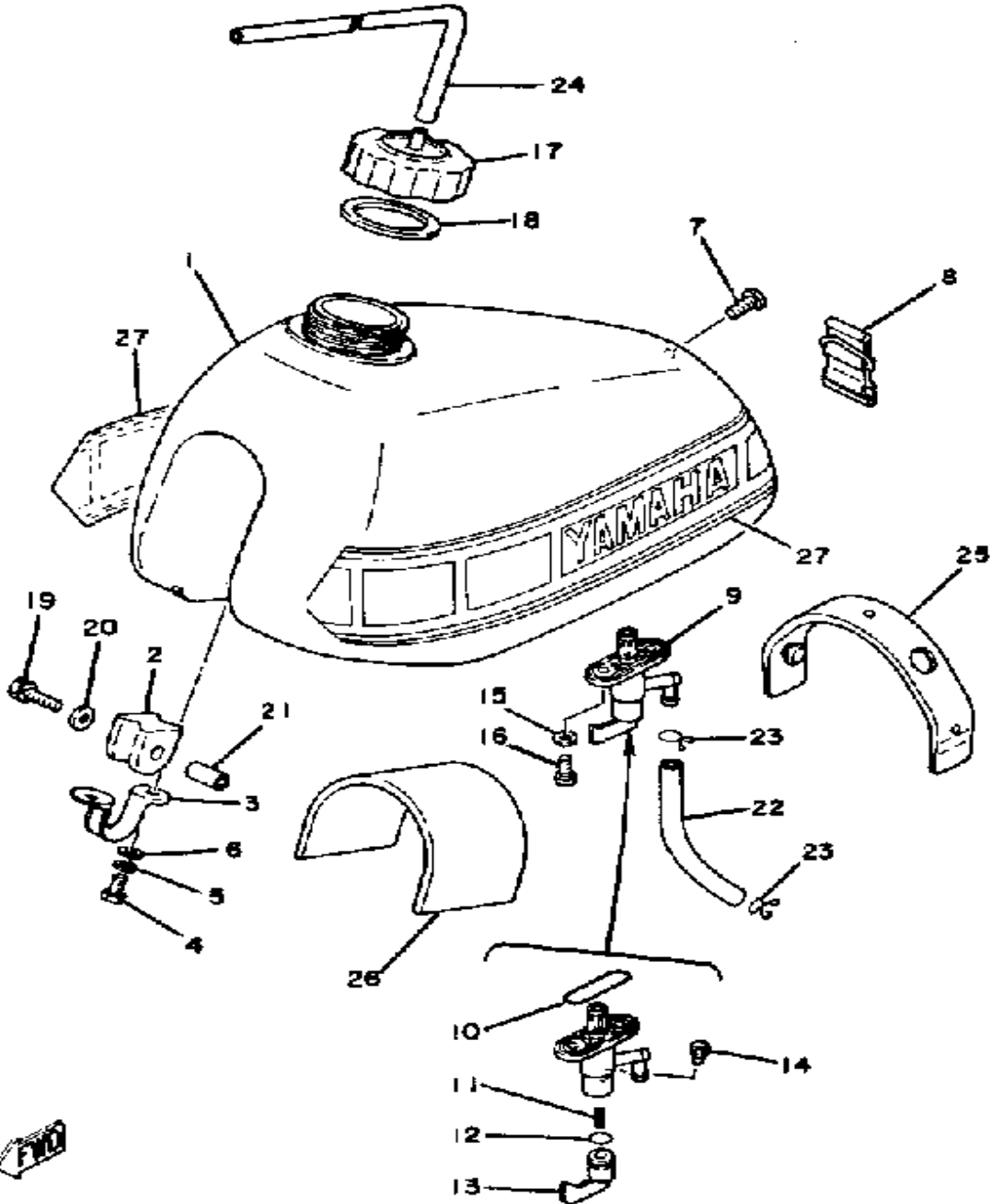


# FUEL TANK YZ125E - F



Ref. No.	Part Number	Description	Qty	Remarks
27	90202-05187-00	WASHER, PLATE .....	2	
28	90445-11152-00	HOSE .....	1	
	90445-11491-00	HOSE .....	1	
29	90467-10008-00	CLIP .....	2	

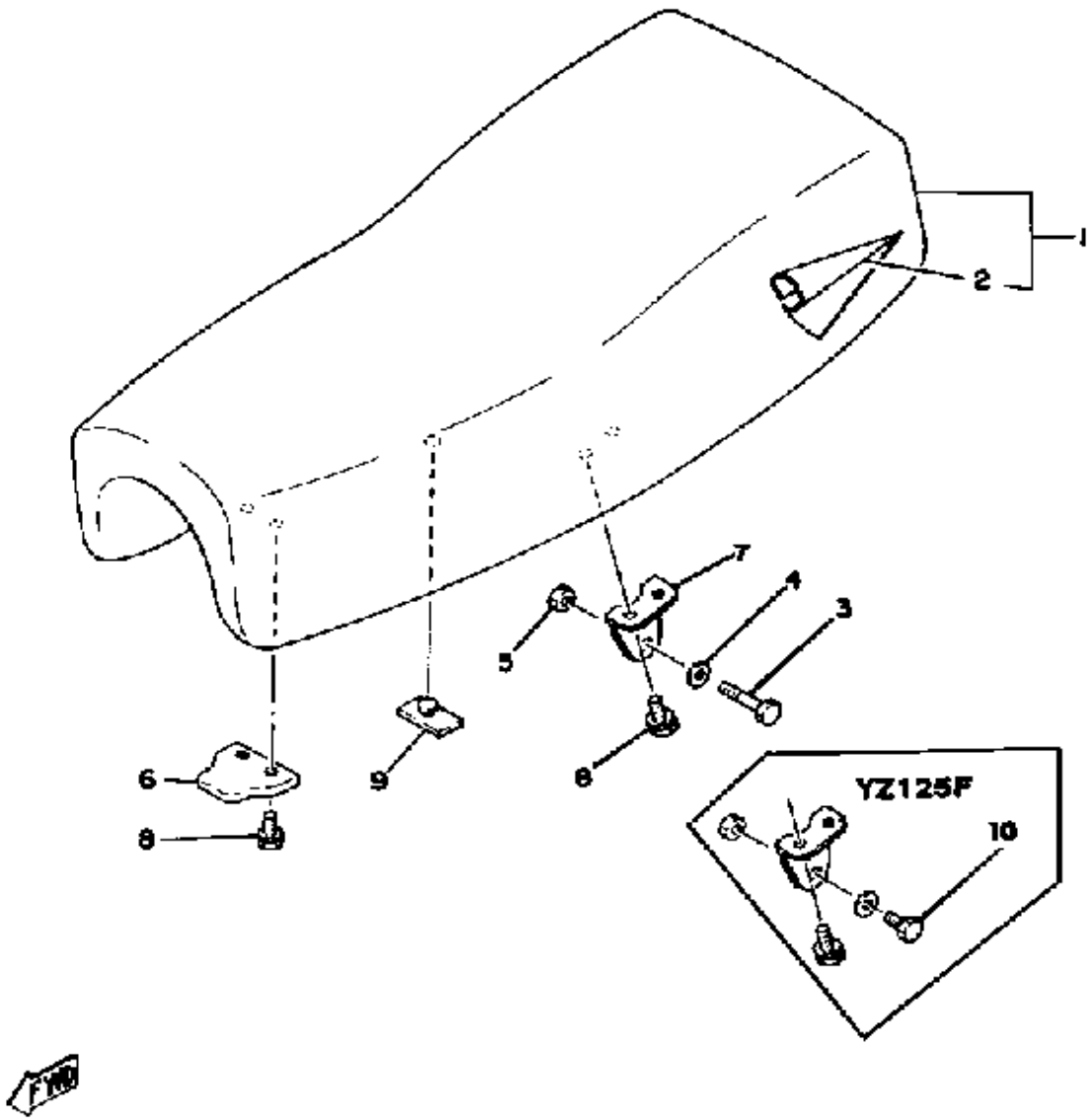
# FUEL TANK YZ125G



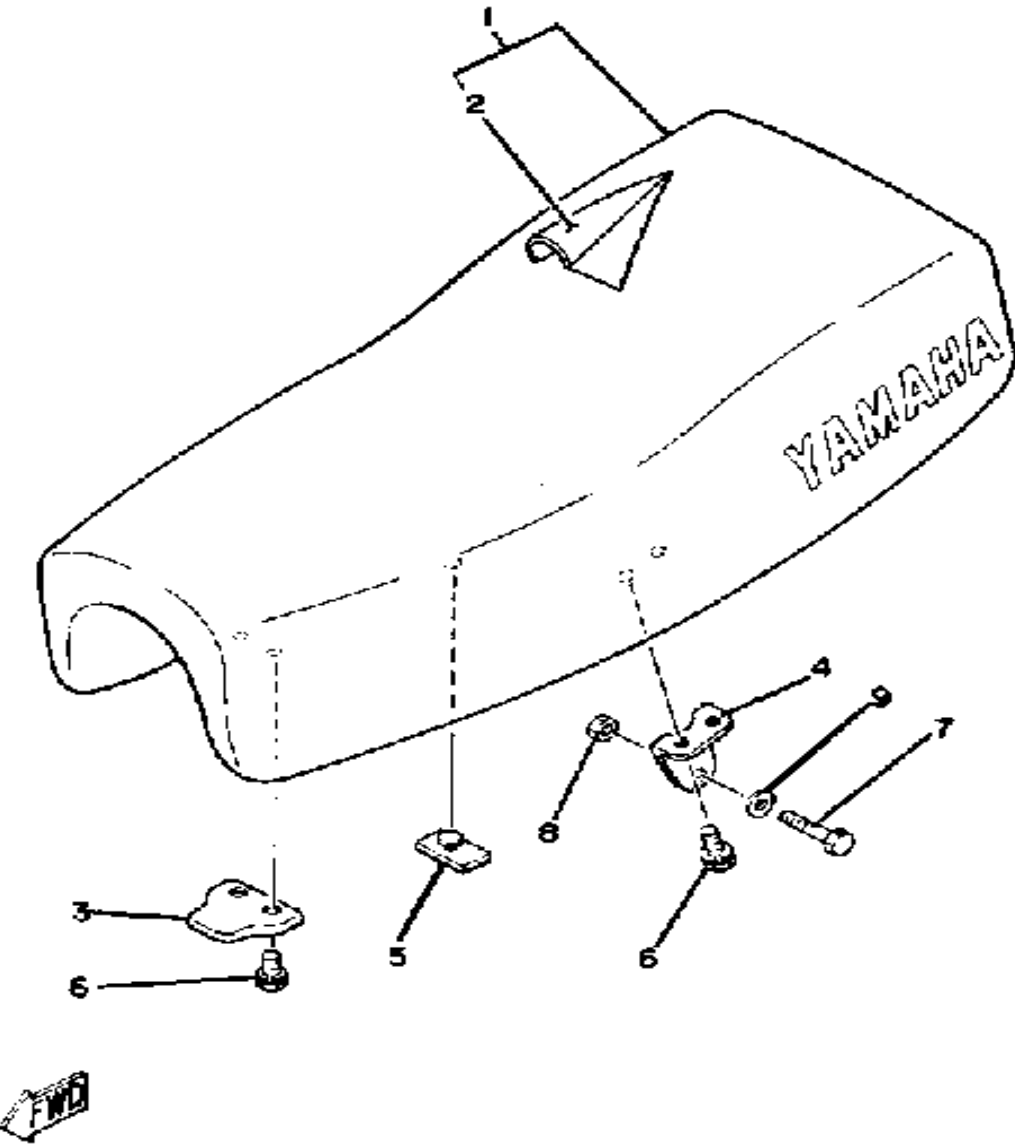
Ref. No.	Part Number	Description	Qty	Remarks
1	(3R3-24110-00-00)	FUEL TANK	1	COMP. YELLOW
2	1W1-24182-01-00	DAMPER, LOCATING 2	2	
3	1W1-24144-01-00	HOLDER, DAMPER	2	
4	97013-06012-00	BOLT	4	
5	92995-06100-00	WASHER, SPRING	4	
6	92901-06600-00	WASHER, PLATE	4	
7	98903-06018-00	SCREW, BIND	1	
8	59V-24173-00-00	BAND, TANK FITTING 1	1	
9	2K5-24500-00-00	FUEL COCK ASSEMBLY 1	1	
10	214-24512-00-00	. GASKET	1	
11	1A0-24529-01-00	. SPRING	1	
12	1A0-24512-00-00	. O-RING	1	
13	1A0-24524-01-00	. LEVER, COCK	1	
14	619-24535-00-00	. SCREW, LVR FITTING	1	
15	90202-05187-00	WASHER, PLATE	2	
16	90149-06011-00	SCREW	2	
17	1W1-24611-00-00	BODY, CAP	1	
18	1W1-24612-00-00	GASKET, CAP	1	
19	90119-06022-00	BOLT, WITH WASHER	2	
20	90201-06407-00	WASHER, PLATE	2	
21	90387-07393-00	COLLAR	2	
22	90445-11491-00	HOSE	1	
23	90467-10008-00	CLIP	2	
24	90445-09252-00	HOSE	1	
25	3R4-24181-00-00	DAMPER, LOCATING 1	1	
26	1W1-24183-00-00	DAMPER, LOCATING 3	1	
27	3R3-24240-20-00	GRAPHIC SET	1	

# SEAT YZ125E - F

Ref. No.	Part Number	Description	Qty	Remarks
1	(2K6-24770-90-00)	SEMI-DBL SEAT ASSEMBLY ..	1	
	(2K6-W2473-00-00)	SEMI-DBL-SEAT ASSEMBLY ..	1	
2	(1W4-24771-00-00)	COVER, SM-DBL SEAT .....	1	
3	97013-06035-00	BOLT .....	1	
	97013-06035-00	BOLT .....	2	
4	92990-06200-00	WASHER, PLAIN .....	2	
5	95601-06100-00	NUT, U .....	2	
6	1M1-24748-00-00	BRACKET, SEAT .....	1	
7	1W1-24738-00-00	BRACKET, SEAT .....	2	
8	90101-06304-00	BOLT .....	6	
9	509-24724-00-00	DAMPER, SEAT .....	6	
10	97313-06016-00	BOLT, HEXAGON .....	1	

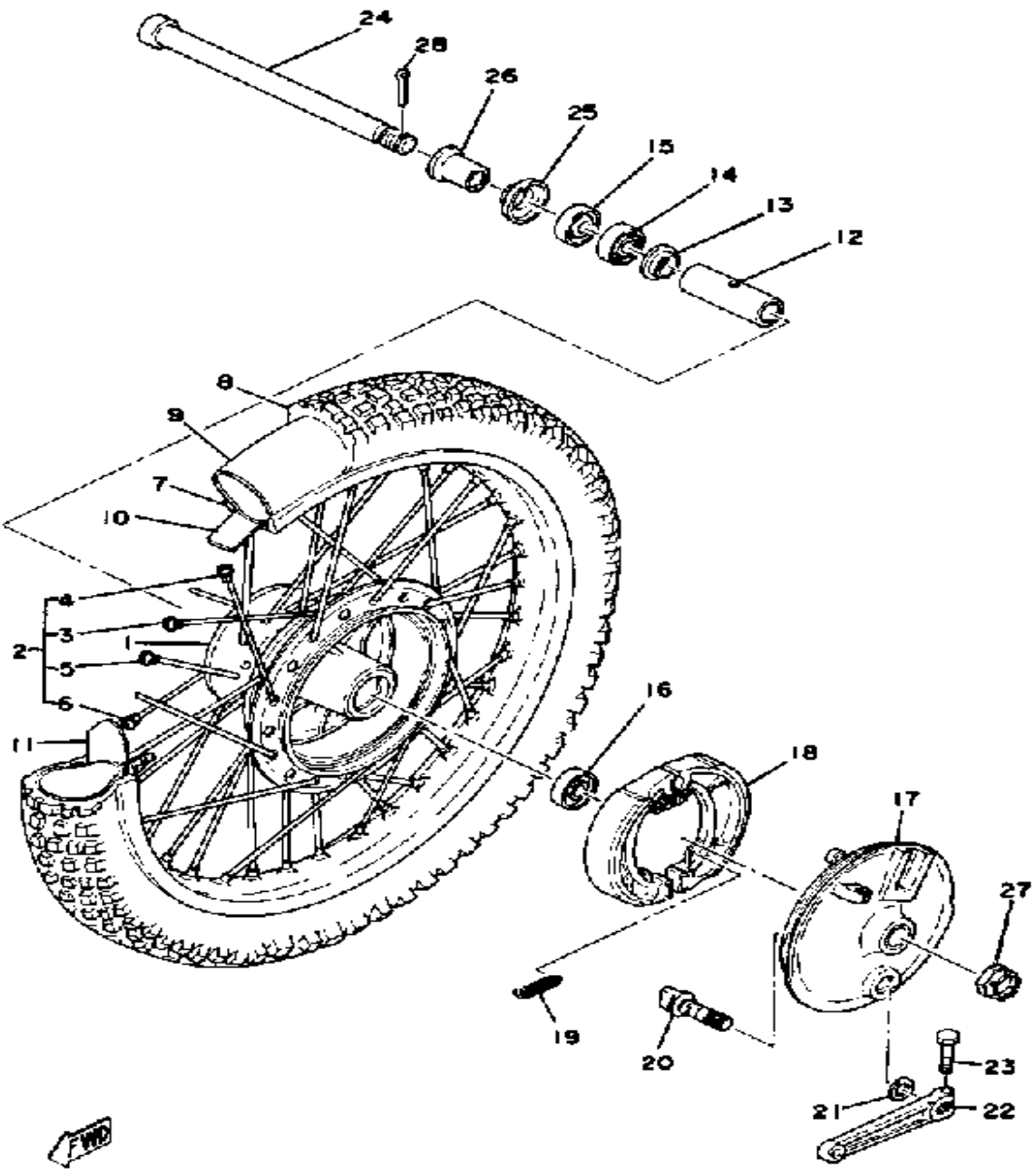


# SEAT YZ125G



Ref. No.	Part Number	Description	Qty	Remarks
1	(3R3-W2473-00-00)	SEMI-DBL-SEAT ASSEMBLY ..	1	
2	3R3-24771-00-00	. COVER, SM-DBL SEAT .....	1	
3	1M1-24748-00-00	BRACKET, SEAT .....	1	
4	1W1-24738-00-00	BRACKET, SEAT .....	2	
5	509-24724-00-00	DAMPER, SEAT .....	6	
6	90101-06304-00	BOLT .....	6	
7	97013-06035-00	BOLT .....	2	
8	95601-06100-00	NUT, U .....	2	
9	92990-06200-00	WASHER, PLAIN .....	2	

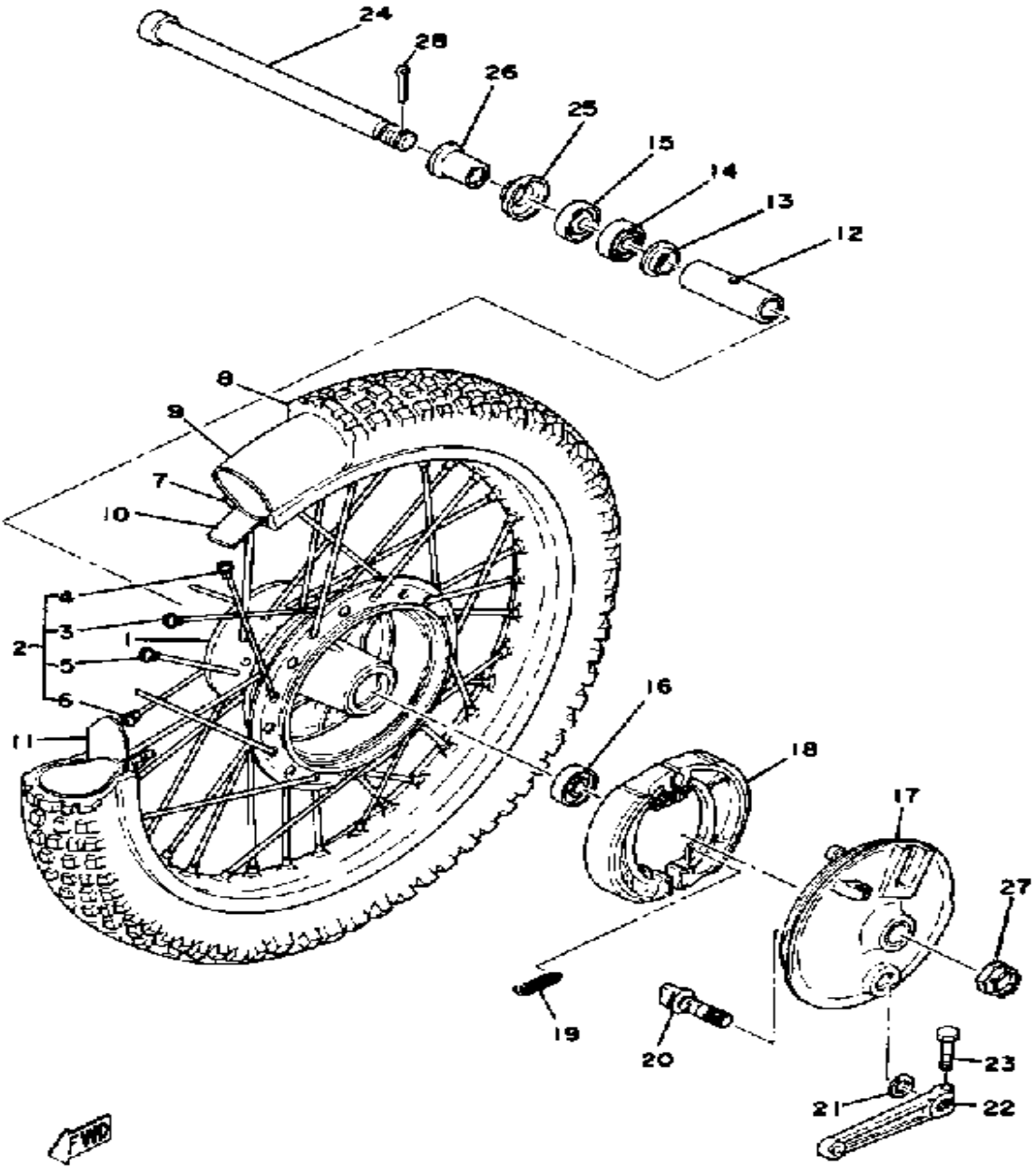
# FRONT WHEEL YZ125E - F



Ref. No.	Part Number	Description	Qty	Remarks
1	1K7-25111-10-98	HUB, FRONT	1	LOW GLOSS BLK
2	2W6-25104-02-00	SPOKE SET, FRONT	1	
3	(1K7-25196-90-00)	SPOKE SET, INNER 1	1	
	(2W6-25196-90-00)	SPOKE SET, INNER 1	1	
4	(1K7-25197-90-00)	SPOKE SET, OUTER 1	1	
	(2W6-25197-90-00)	SPOKE SET, OUTER 1	1	
5	(1K7-25179-90-00)	SPOKE SET, INNER 2	1	
	(2W6-25179-90-00)	SPOKE SET, INNER 2	1	
6	(1K7-25189-90-00)	SPOKE SET, OUTER 2	1	
	(2W6-25189-90-00)	SPOKE SET, OUTER 2	1	
7	94416-21326-00	RIM 1.60X 1	1	
8	(94130-21376-00)	300X21 IRC MX	1	
	(94130-213A4-00)	300-21 M1B (TT)	1	
9	94230-21126-00	TUBE	1	
10	(94330-21088-00)	BAND, RIM	1	
11	1T1-25194-00-00	SPACER, BEAD	1	
12	90560-15116-00	SPACER	1	
13	146-25116-00-00	FLANGE, SPACER 2	1	
14	93306-20209-00	BEARING	1	
15	93102-20009-00	OIL SEAL	1	
16	93306-20226-00	BEARING	1	
17	1W1-25016-11-98	BRAKE SHOE PLT ASSEMBLY (1W1-25121-02-98)	1	LOW GLOSS BLK
18	322-W2535-00-00	BRAKESHOE SET-2PCS	2	
19	90506-17328-00	SPRING, TENSION	2	
20	23X-25151-00-00	CAMSHAFT	1	
21	137-25159-00-00	SEAL, CAMSHAFT	1	
22	322-25155-00-00	LEVER, CAMSHAFT 1	1	
23	90101-06291-00	BOLT (L:130MM)	1	

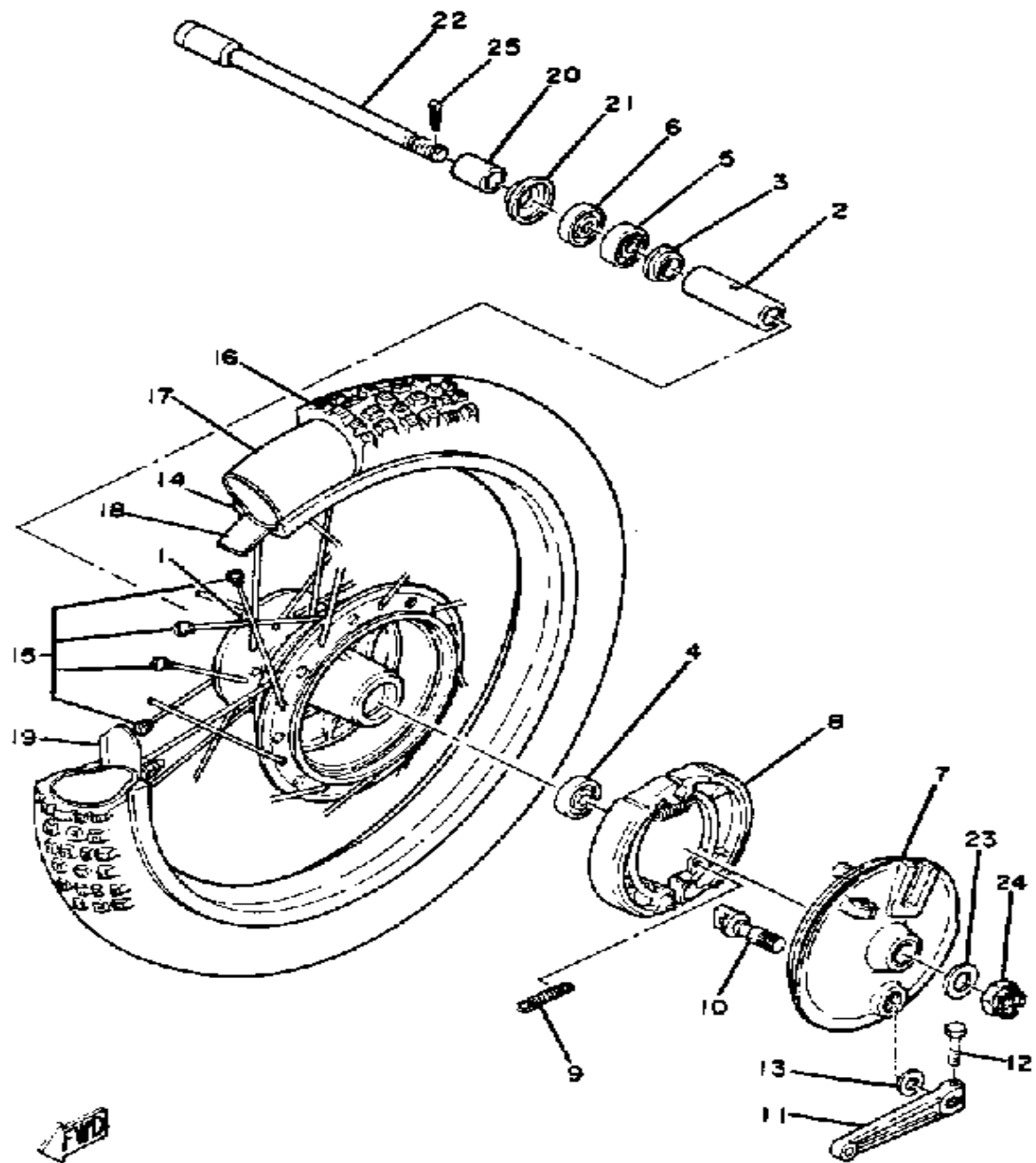
CONTINUED ON NEXT FRAME ►

# FRONT WHEEL YZ125E - F



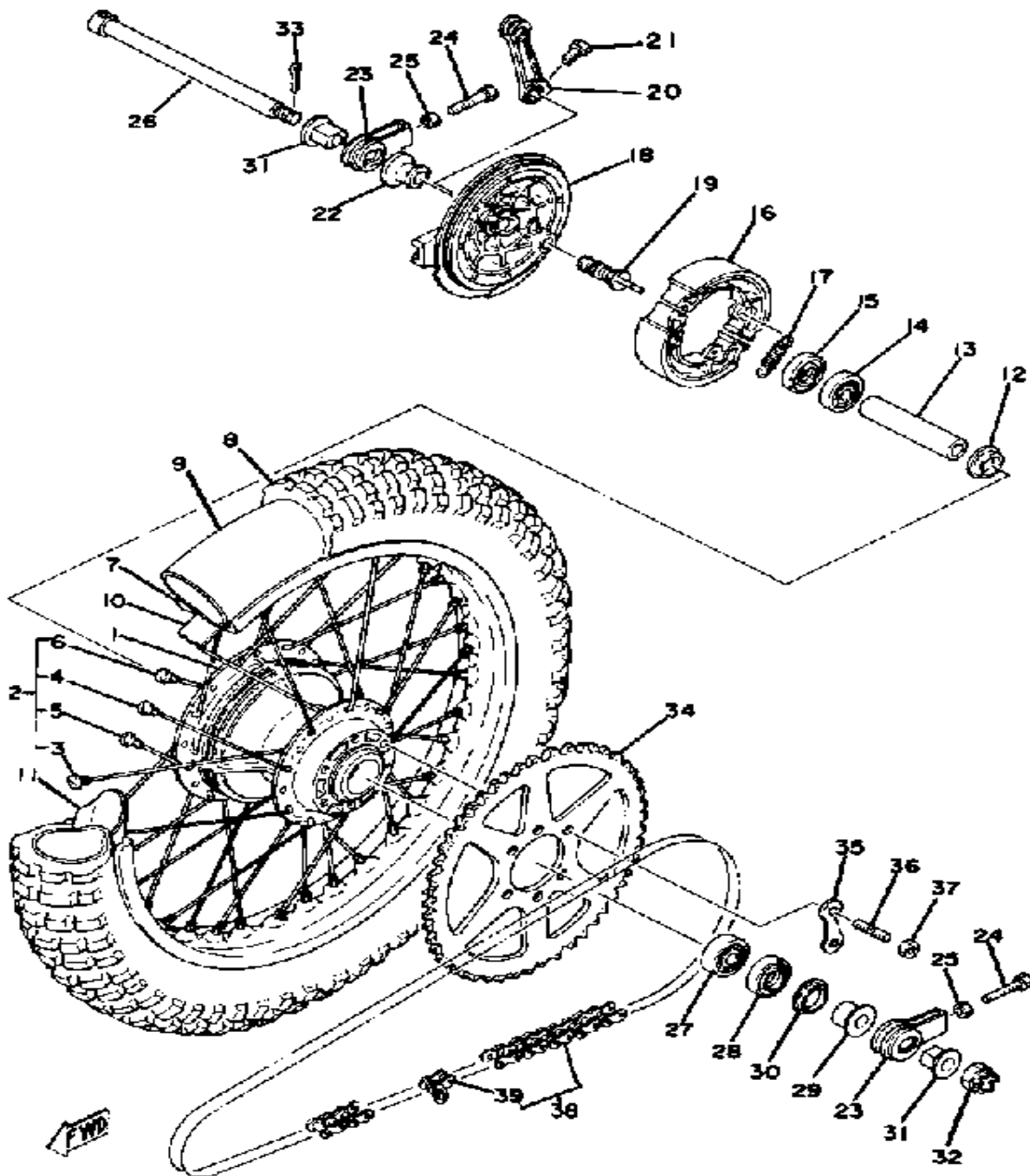
Ref. No.	Part Number	Description	Qty	Remarks
24	1W1-25181-01-00	AXLE, WHEEL	1	
25	322-25118-00-00	COVER, HUB DUST	1	
26	90387-15600-00	COLLAR	1	
27	90171-14020-00	NUT, CASTLE	1	
28	91401-30030-00	PIN, COTTER	1	

# FRONT WHEEL YZ125G



Ref. No.	Part Number	Description	Qty	Remarks
1	1K7-25111-10-98	HUB, FRONT	1	LOW GLOSS BLK
2	90560-15116-00	SPACER	1	
3	146-25116-00-00	FLANGE, SPACER 2	1	
4	93306-20226-00	BEARING	1	
5	93306-20209-00	BEARING	1	
6	93102-20009-00	OIL SEAL	1	
7	1W1-25016-11-98	BRAKE SHOE PLT ASSEMBLY (1W1-25121-02-98)	1	LOW GLOSS BLK
8	322-W2535-00-00	BRAKESHOE SET-2PCS	2	
9	90506-17328-00	SPRING, TENSION	2	
10	23X-25151-00-00	CAMSHAFT	1	
11	322-25155-00-00	LEVER, CAMSHAFT 1	1	
12	90101-06291-00	BOLT (L:130MM)	1	
13	137-25159-00-00	SEAL, CAMSHAFT	1	
14	94416-21234-00	RIM 1.60X 1	1	
15	2W6-25104-02-00	SPOKE SET, FRONT	1	
16	(94130-21554-00)	BS 300X21 M 1	1	
17	94227-21123-00	TUBE (2.75-21)	1	
18	94330-21084-00	BAND, RIM (3.00-21)	1	
19	1T1-25194-00-00	SPACER, BEAD	1	
20	90387-152J3-00	COLLAR	1	
21	322-25118-00-00	COVER, HUB DUST	1	
22	(3R3-25181-00-00)	AXLE, WHEEL	1	
23	90201-15785-00	WASHER, PLATE	1	
24	90171-14020-00	NUT, CASTLE	1	
25	91401-30030-00	PIN, COTTER	1	

# REAR WHEEL YZ125E

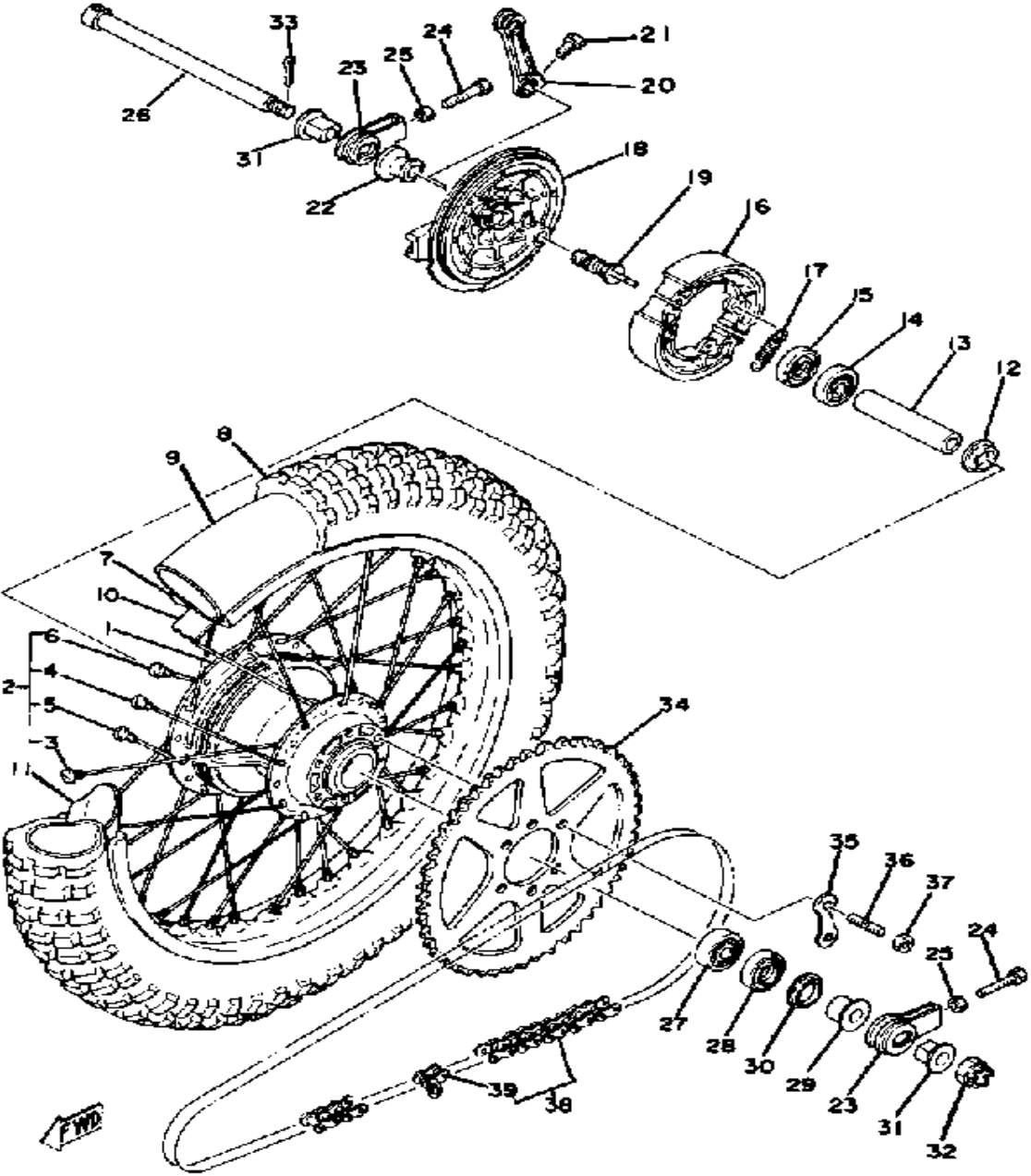


Ref. No.	Part Number	Description	Qty	Remarks
1	1W1-25311-00-98	HUB, REAR	1	LOW GLOSS BLK
2	537-25304-01-00	SPOKE SET, REAR	1	
3	(537-25396-90-00)	SPOKE SET, INNER 2	1	
4	(537-25397-90-00)	SPOKE SET, OUTER 2	1	
5	(537-25391-90-00)	SPOKE SET, INNER 1	1	
6	(537-25392-90-00)	SPOKE SET, OUTER 1	1	
7	94418-18245-00	RIM 1.85X 8	1	
8	(94141-18655-00)	410-18 MARK 2 (TT)	1	
9	94235-18085-00	TUBE	1	
10	94325-18043-00	BAND, RIM	1	
11	2X3-25394-00-00	SPACER, BEAD	2	
12	146-25115-00-00	FLANGE, SPACER 1	1	
13	90560-15313-00	SPACER	1	
14	93306-20226-00	BEARING	1	
15	93104-22018-00	OIL SEAL	1	
16	437-W2536-00-00	BRAKESHOE SET-2PCS	2	
17	90506-17328-00	SPRING, TENSION	2	
18	2K6-25321-01-98	PLATE, BRAKE SHOE	1	LOW GLOSS BLK
19	2RH-25351-00-00	CAMSHAFT	1	
20	4V5-25355-00-00	LEVER, CAMSHAFT (168-25355-00)	1	
21	90101-06291-00	BOLT (L:130MM)	1	
22	90387-15658-00	COLLAR	1	
23	2K6-25388-00-00	PULLER, CHAIN 1	2	
24	90101-08699-00	BOLT	2	
25	95303-08700-00	NUT	2	
26	2K6-25381-00-00	AXLE, WHEEL	1	
27	93306-30202-00	BEARING	1	
28	93106-26005-00	OIL SEAL	1	

CONTINUED ON NEXT FRAME ►

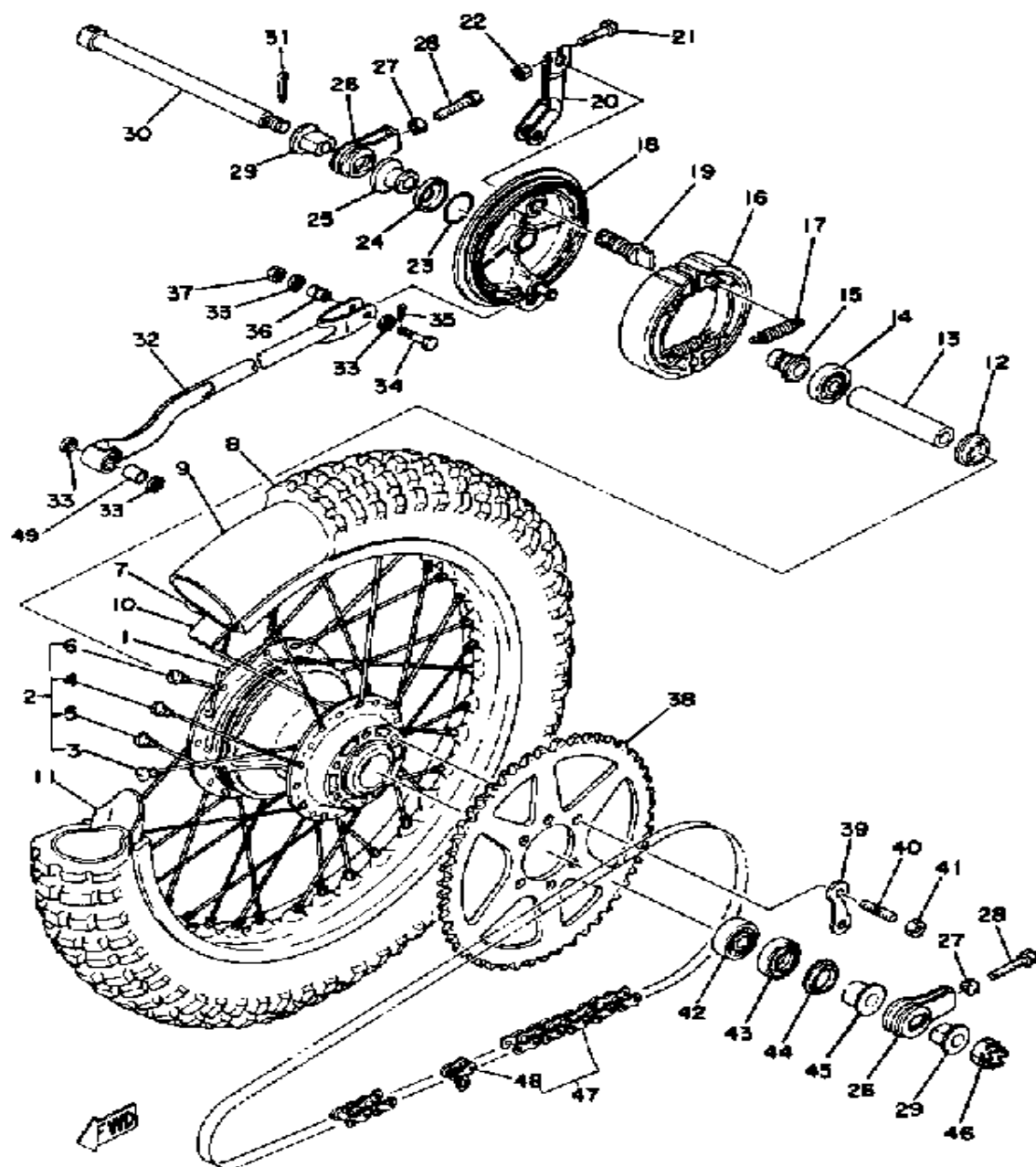


# REAR WHEEL YZ125E



Ref. No.	Part Number	Description	Qty	Remarks
29	90387-15791-00	COLLAR	1	
30	431-25367-00-00	COVER, HUB DUST	1	
31	90381-15029-00	BUSH, SOLID	1	
32	90171-14020-00	NUT, CASTLE	1	
33	91401-30030-00	PIN, COTTER	1	
34	(1W1-25451-00-XX)	SPROCKET, DRIVN 51T	1	U.R.
	(1W1-25453-00-XX)	SPROCKET, DRIVN 53T	1	U.R.
	1W1-25449-00-XX	SPROCKET, DRIVN 49T (1W1-25451-00)	1	U.R.
35	1G8-25412-00-00	WASHER	3	
36	90116-10221-00	BOLT, STUD	6	
37	95701-10500-00	NUT, FLANGE	6	
38	9Y585-20103-00	CHAIN 520DS-104L	1	
39	94680-11001-00	. JOINT CHAIN	1	

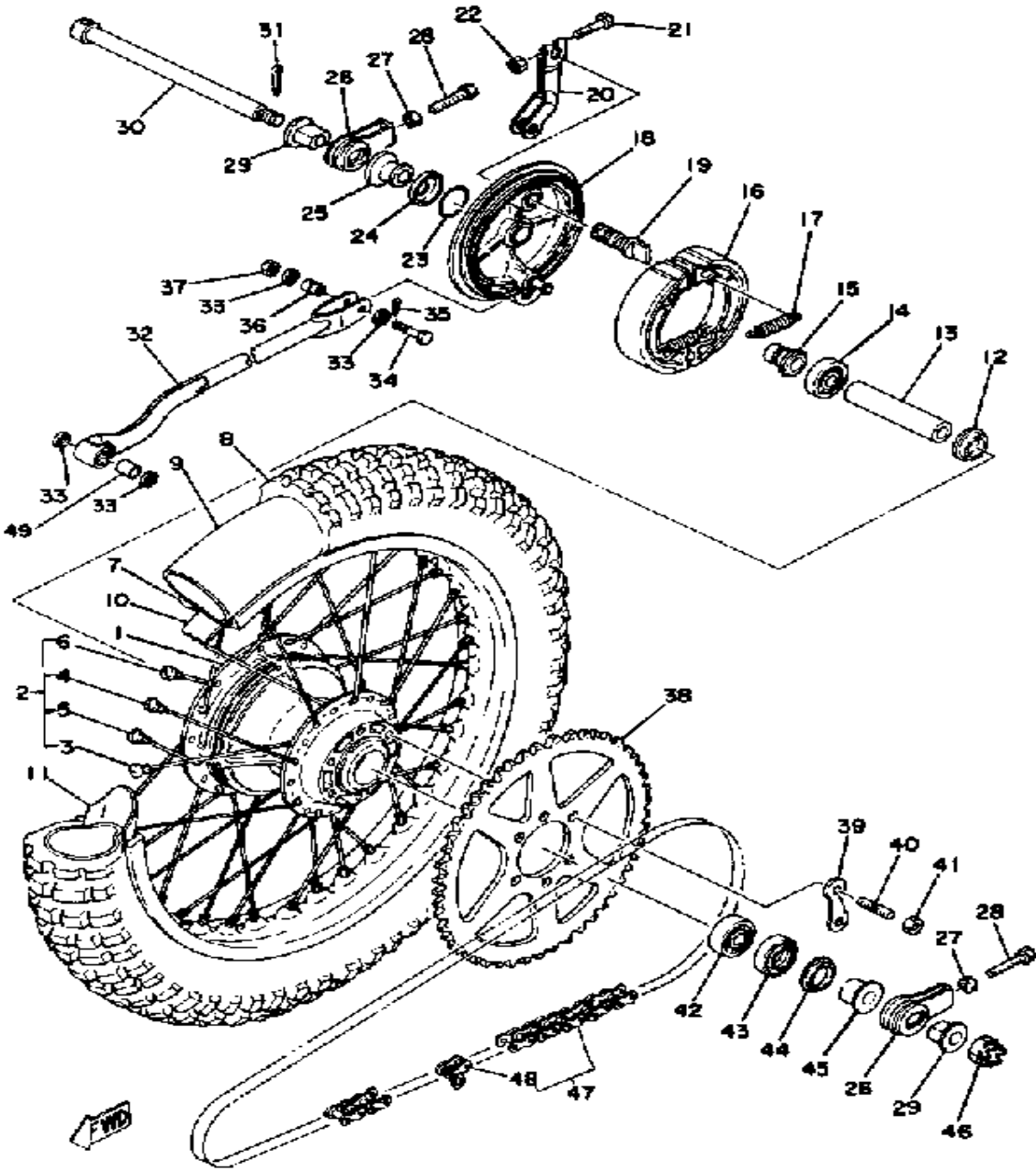
# REAR WHEEL YZ125F



Ref. No.	Part Number	Description	Qty	Remarks
1	2X3-25311-00-98	HUB, REAR	1	LOW GLOSS BLK
2	537-25304-01-00	SPOKE SET, REAR	1	
3	(537-25396-90-00)	SPOKE SET, INNER 2	1	
4	(537-25397-90-00)	SPOKE SET, OUTER 2	1	
5	(537-25391-90-00)	SPOKE SET, INNER 1	1	
6	(537-25392-90-00)	SPOKE SET, OUTER 1	1	
7	94418-18245-00	RIM 1.85X 8	1	
8	(94141-18655-00)	410-18 MARK 2 (TT)	1	
9	94235-18085-00	TUBE	1	
10	94325-18043-00	BAND, RIM	1	
11	2X3-25394-00-00	SPACER, BEAD	2	
12	146-25115-00-00	FLANGE, SPACER 1	1	
13	90560-15313-00	SPACER	1	
14	93306-20226-00	BEARING	1	
15	90387-15714-00	COLLAR	1	
16	437-W2536-00-00	BRAKESHOE SET-2PCS	2	
17	90506-17328-00	SPRING, TENSION	2	
18	2X3-25321-00-98	PLATE, BRAKE SHOE	1	LOW GLOSS BLK
19	2RH-25351-00-00	CAMSHAFT	1	
20	2X3-25355-01-00	LEVER, CAMSHAFT (2X3-25355-00)	1	
21	90101-06278-00	BOLT	1	
22	95380-06600-00	NUT, HEXAGON	1	
23	93210-29282-00	O-RING	1	
24	2X3-25327-00-00	COVER, PLATE	1	
25	90387-15658-00	COLLAR	1	
26	2K6-25388-00-00	PULLER, CHAIN 1	2	
27	95303-08700-00	NUT	2	
28	90101-08699-00	BOLT	2	

CONTINUED ON NEXT FRAME ►

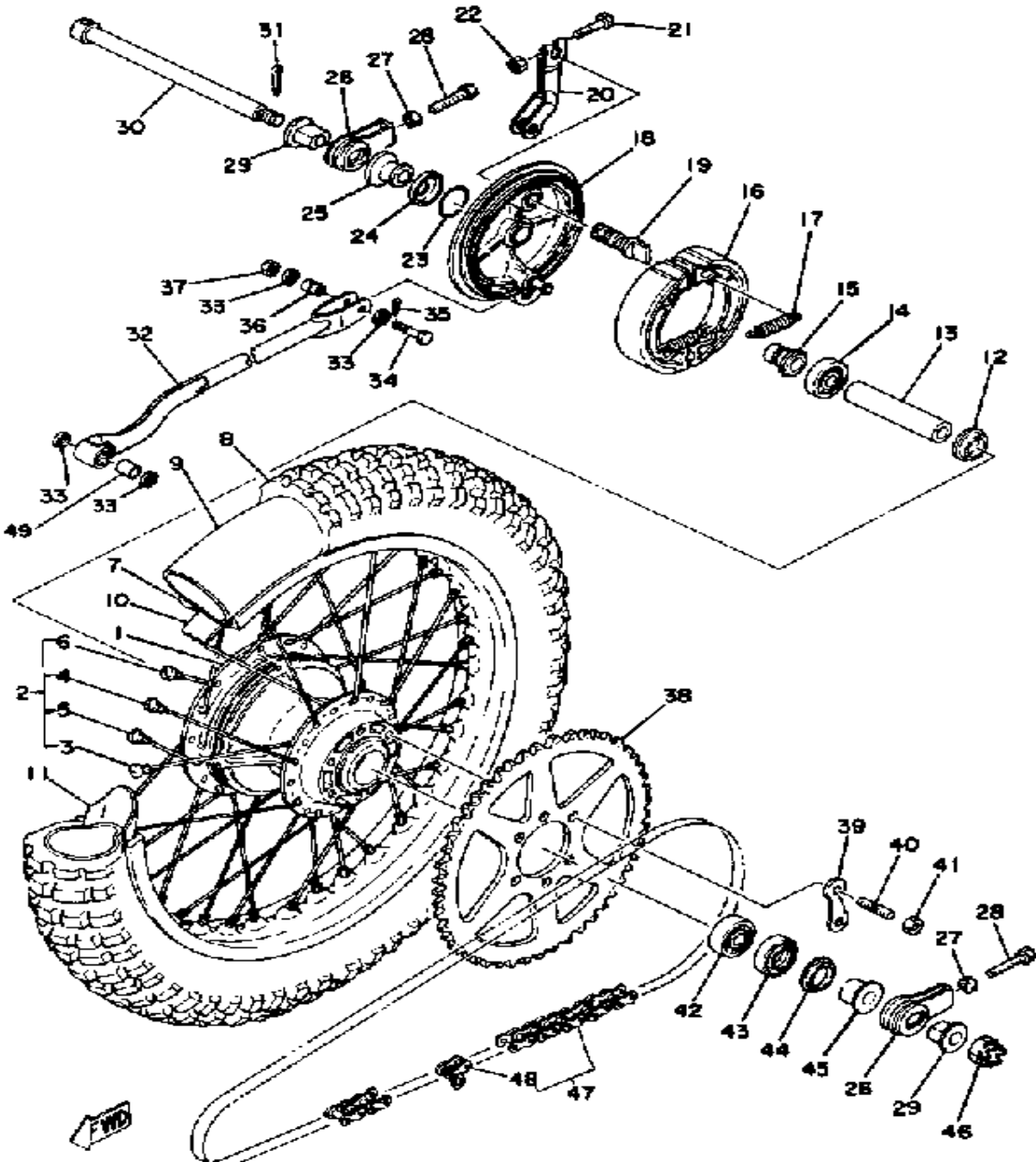
# REAR WHEEL YZ125F



Ref. No.	Part Number	Description	Qty	Remarks
29	90381-15029-00	BUSH, SOLID	2	
30	2K6-25381-00-00	AXLE, WHEEL	1	
31	91401-30030-00	PIN, COTTER	1	
32	2X3-25000-80-00	TENSION BAR SET (2X3-25371-02)	1	
33	93104-11056-00	OIL SEAL, SO-TYPE	4	
34	90102-08034-00	BOLT, WITH HOLE	1	
35	91490-20020-00	PIN, COTTER	1	
36	90387-08699-00	COLLAR	1	
37	95611-08100-00	NUT, U	1	
38	(1G8-25444-00-00)	SPROCKET, DRIVN 44T	1	U.R.
	(1G8-25450-00-XX)	SPROCKET, DRIVN 50T	1	U.R.
	(1J4-25438-00-XX)	SPROCKET, DRIVN 38T	1	U.R.
	(1J4-25440-01-XX)	SPROCKET, DRIVN 40T	1	U.R.
	(1J4-25442-00-XX)	SPROCKET, DRIVN 42T	1	U.R.
	(1W1-25451-00-XX)	SPROCKET, DRIVN 51T	1	U.R. STD
	(1W1-25453-00-XX)	SPROCKET, DRIVN 53T	1	U.R.
	(1W1-25455-00-XX)	SPROCKET, DRIVN 55T	1	U.R.
	1G8-25446-01-XX	SPROCKET, DRIVN 46T (SPECIAL XX ALUMINUM) (46T)	1	U.R.
	1G8-25448-00-XX	SPROCKET, DRIVN 48T (SPECIAL XX ALUMINUM) (48T)	1	U.R.
	1W1-25449-00-XX	SPROCKET, DRIVN 49T (1W1-25451-00)	1	U.R.
39	1G8-25412-00-00	WASHER	3	
40	90116-10221-00	BOLT, STUD	6	
41	95701-10500-00	NUT, FLANGE	6	
42	93306-30202-00	BEARING	1	
43	93106-26005-00	OIL SEAL	1	
44	431-25367-00-00	COVER, HUB DUST	1	

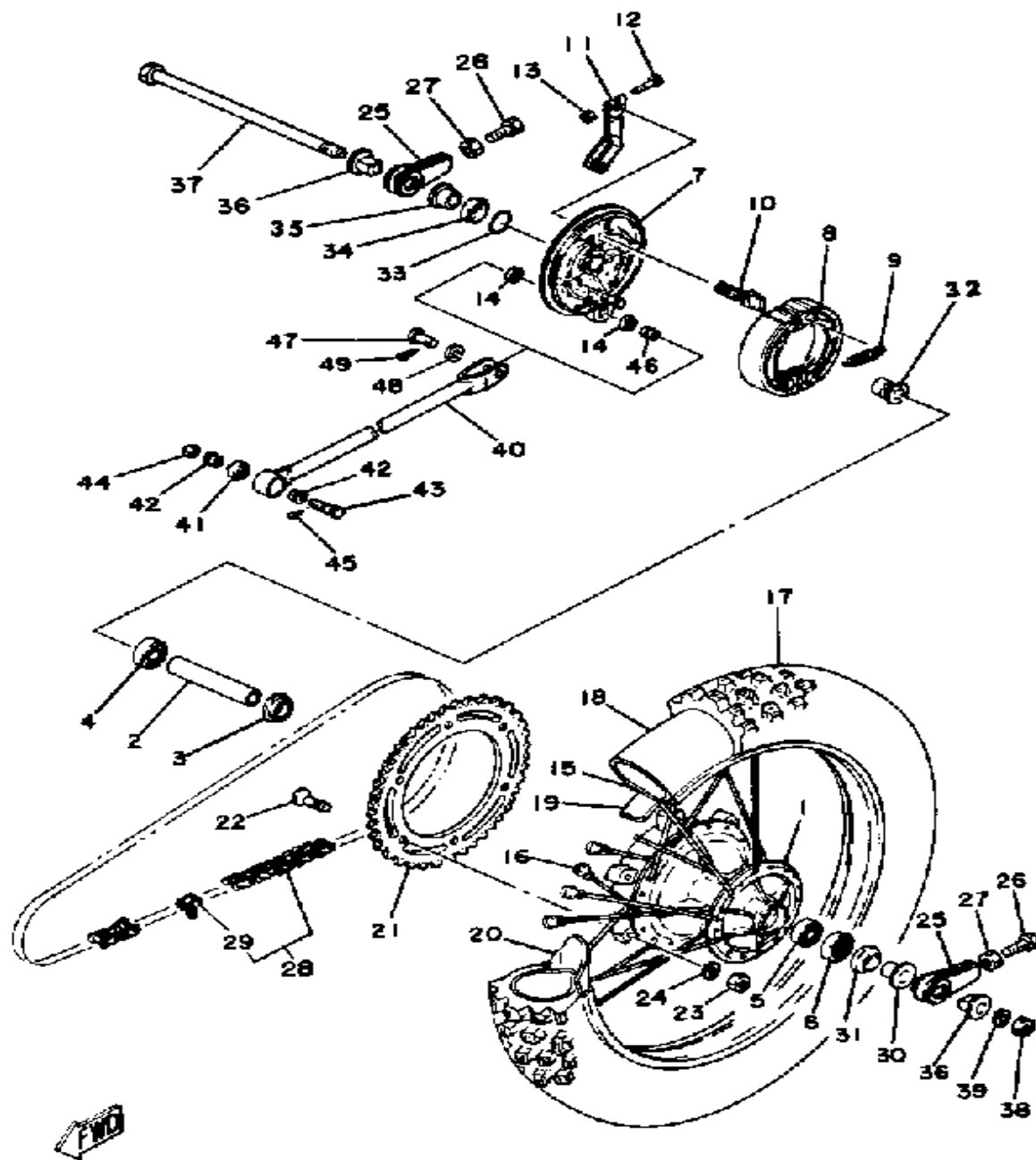
CONTINUED ON NEXT FRAME ►

# REAR WHEEL YZ125F



Ref. No.	Part Number	Description	Qty	Remarks
45	90387-15791-00	COLLAR	1	
46	90171-14020-00	NUT, CASTLE	1	
47	9Y585-20101-00	CHAIN 520DS-103L (DID520DS-102L)	1	
48	94685-20001-00	. JOINT CHAIN	1	
49	90387-08725-00	COLLAR	1	

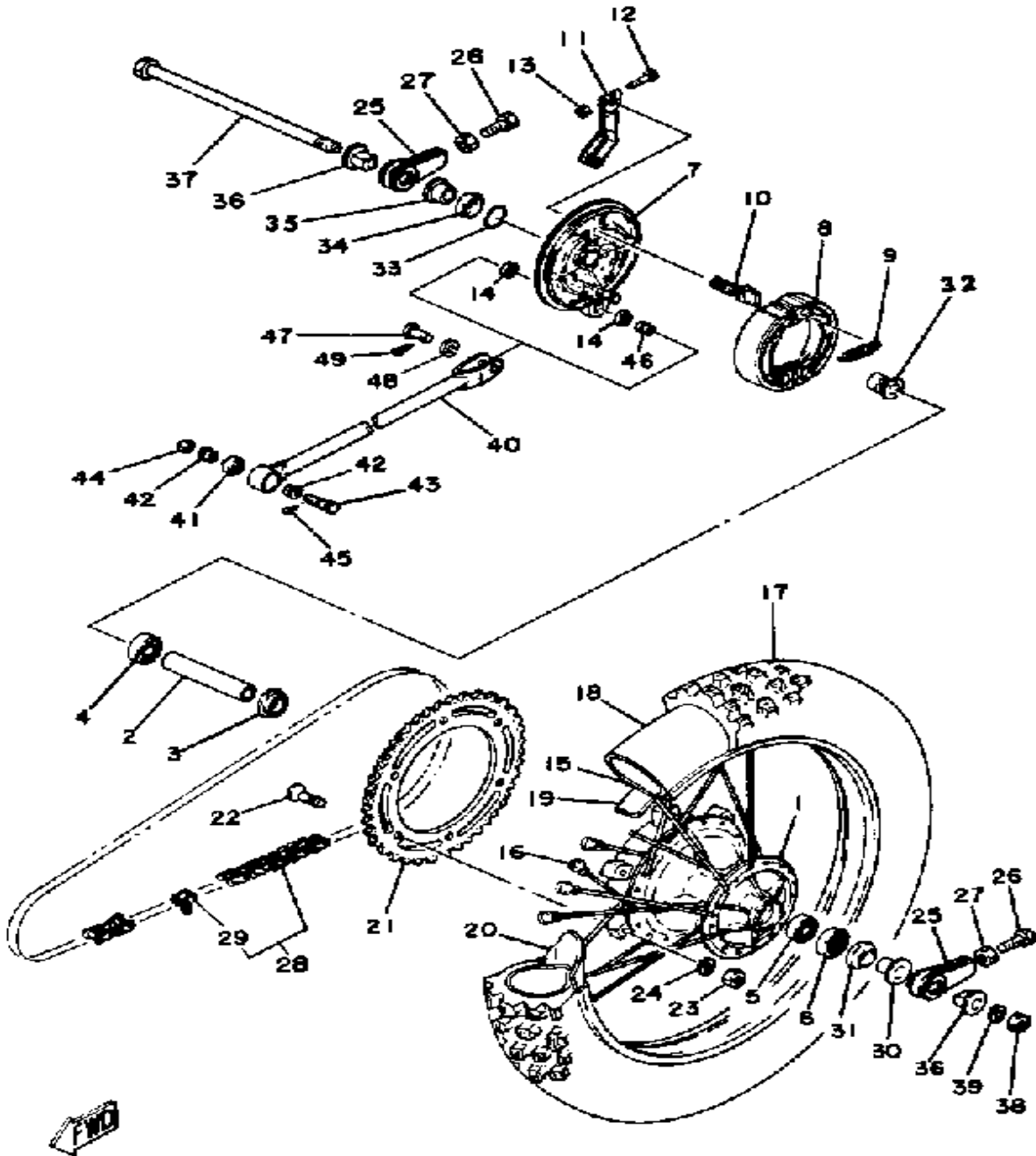
# REAR WHEEL YZ125G



Ref. No.	Part Number	Description	Qty	Remarks
1	3R3-25311-02-98	. HUB, REAR	1	
	4V2-25304-00-00	. SPOKE SET, REAR	1	
	99999-01159-00	HUB REAR (3R3-25311-00-98)	1	LOW GLOSS BLK
2	3R3-25317-00-00	SPACER, BEARING	1	
3	146-25116-00-00	FLANGE, SPACER 2	1	
4	93306-30202-00	BEARING	1	
5	93306-20209-00	BEARING	1	
6	93106-22017-00	OIL SEAL, DD-TYPE	1	
7	3R3-25321-00-98	PLATE, BRAKE SHOE	1	LOW GLOSS BLK
8	437-W2536-00-00	BRAKESHOE SET-2PCS	2	
9	90506-17328-00	SPRING, TENSION	2	
10	401-25351-00-00	CAMSHAFT (23X-25351-00)	1	
11	2X3-25355-01-00	LEVER, CAMSHAFT (2X3-25355-00)	1	
12	90101-06278-00	BOLT	1	
13	95380-06600-00	NUT, HEXAGON	1	
14	93104-11056-00	OIL SEAL, SO-TYPE	1	
15	94418-18245-00	RIM 1.85X 8	1	
16	537-25304-01-00	SPOKE SET, REAR	1	
17	(94141-18649-00)	410-18 4PR M 2	1	
18	94241-18153-00	TUBE (4.10-18)	1	
19	94345-18081-00	BAND, RIM	1	
20	2X3-25394-00-00	SPACER, BEAD	2	
21	3R4-25446-01-XX	SPROCKET, DRIVN 46T	1	
	3R4-25448-01-XX	SPROCKET, DRIVN 48T	1	STD
	3R4-25450-01-XX	SPROCKET, DRIVN 50T	1	
22	90109-08552-00	BOLT	6	
23	90185-08089-00	NUT, SELF-LOCKING	6	
24	92990-08200-00	WASHER, PLAIN	6	

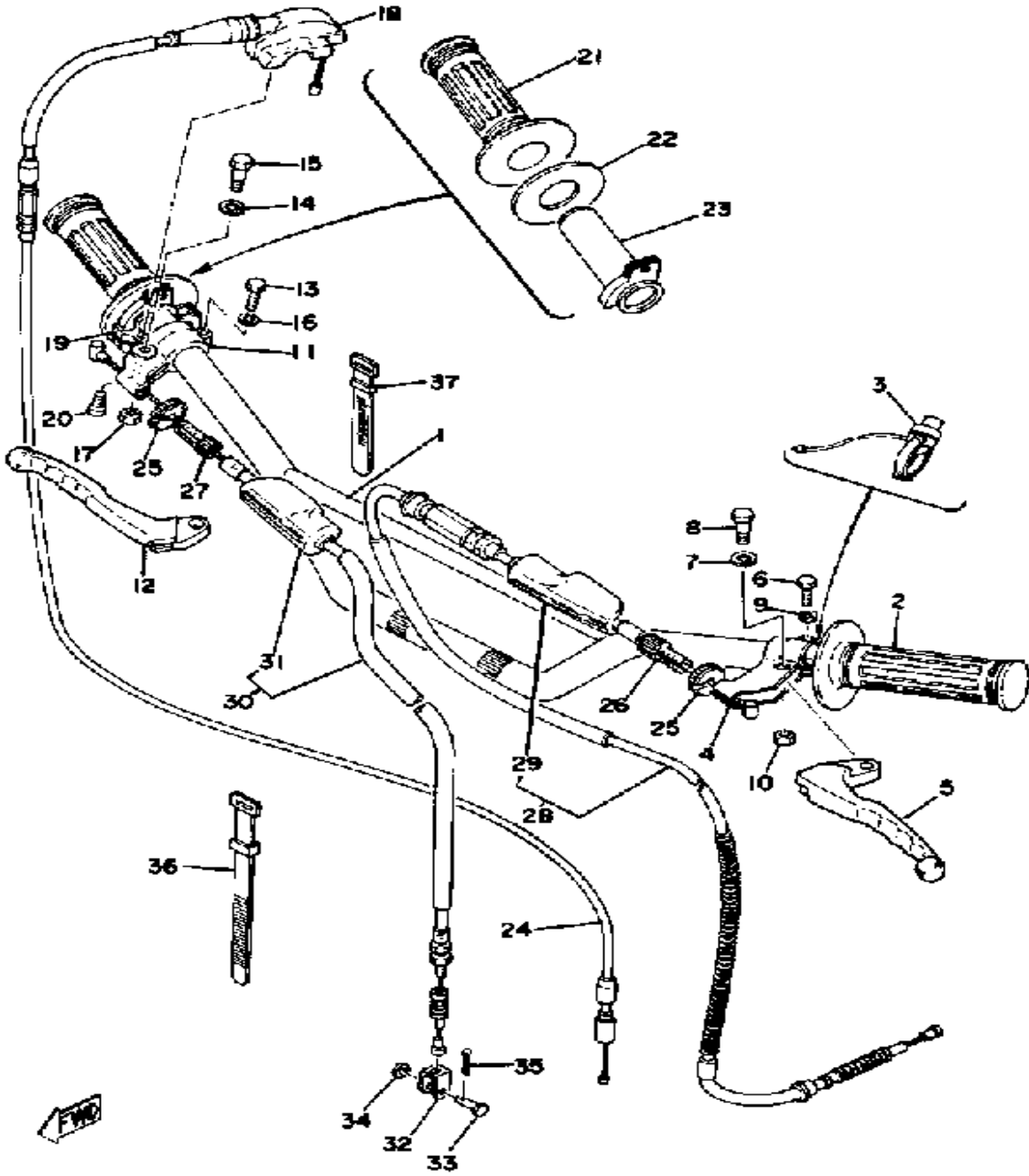
CONTINUED ON NEXT FRAME ►

# REAR WHEEL YZ125G



Ref. No.	Part Number	Description	Qty	Remarks
25	2K6-25388-00-00	PULLER, CHAIN 1	2	
26	90101-08699-00	BOLT	2	
27	95303-08700-00	NUT	2	
28	9Y585-20101-00	CHAIN 520DS-103L (DID520DS-102L)	1	
29	94685-20001-00	. JOINT CHAIN	1	
30	90387-15791-00	COLLAR	1	
31	3R3-25367-00-00	COVER, HUB DUST	1	
32	90387-15792-00	COLLAR	1	
33	93210-27ME3-00	O-RING	1	
34	2X3-25327-00-00	COVER, PLATE	1	
35	90387-15790-00	COLLAR	1	
36	90381-15029-00	BUSH, SOLID	2	
37	(3R3-25381-01-00)	AXLE, WHEEL	1	
38	90170-14349-00	NUT	1	
39	92901-14100-00	WASHER, SPRING	1	
40	3R3-25371-00-00	BAR, TENSION	1	
41	93399-99906-00	BEARING, SPECIAL	1	
42	90387-080A8-00	COLLAR	2	
43	90102-08034-00	BOLT, WITH HOLE	1	
44	95611-08100-00	NUT, U	1	
45	91490-20020-00	PIN, COTTER	1	
46	90387-08699-00	COLLAR	1	
47	90102-08034-00	BOLT, WITH HOLE	1	
48	92990-08100-00	WASHER, SPRING	1	
49	91490-20020-00	PIN, COTTER	1	

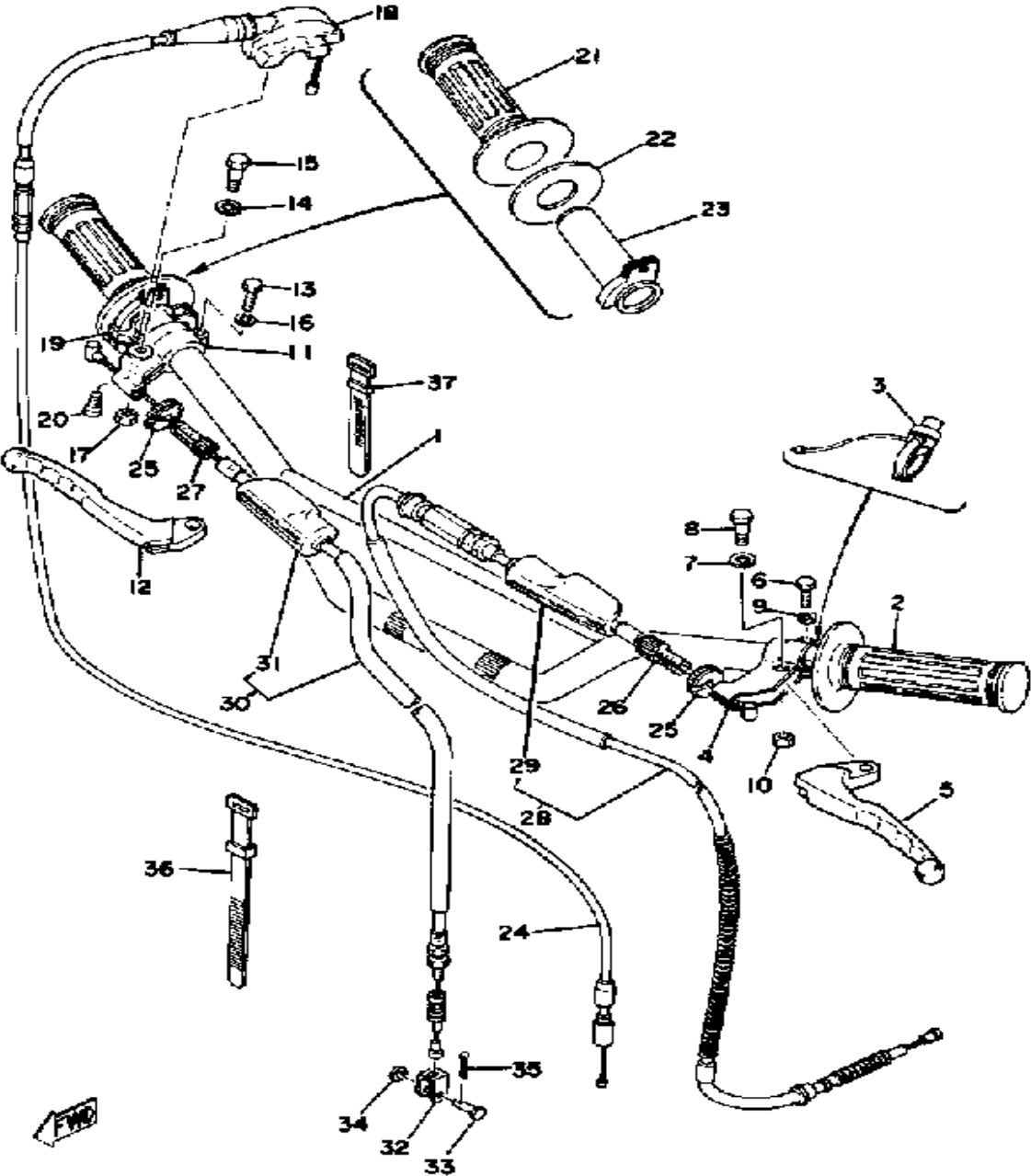
# HANDLEBAR - CABLE YZ125E - F



Ref. No.	Part Number	Description	Qty	Remarks
1	1W1-26111-03-00	HANDLEBAR (1W1-26111-02)	1	LOW GLOSS BLK
	2X4-26111-01-00	HANDLEBAR	1	
2	1E6-26241-00-00	GRIP LH	1	
3	23X-83976-00-00	SWITCH, HANDLE 1	1	
4	214-82911-01-00	HOLDER, LEVER 1	1	LOW GLOSS BLK
5	23X-83912-00-00	LEVER 1	1	
6	97003-06022-00	BOLT, HEXAGON (97301-06022)	1	
7	90201-08083-00	WASHER, PLATE	1	
8	90109-06797-00	BOLT	1	
9	92995-06100-00	WASHER, SPRING	1	
10	95601-06100-00	NUT, U	1	
11	516-82921-30-00	HOLDER, LEVER 2	1	LOW GLOSS BLK
12	23X-83922-00-00	LEVER 2	1	
13	97003-06022-00	BOLT, HEXAGON (97301-06022)	1	
14	90201-08083-00	WASHER, PLATE	1	
15	90109-06797-00	BOLT	1	
16	92995-06100-00	WASHER, SPRING	1	
17	95601-06100-00	NUT, U	1	
18	322-26281-00-98	CAP, GRIP UPPER	1	
19	322-26282-00-00	CAP, GRIP LOWER	1	
20	98580-05016-00	SCREW, PAN HEAD	2	
21	583-26242-00-00	GRIP RH	1	
22	1W1-26249-00-00	RING, LEAF	1	
23	322-26243-00-00	TUBE, throttle guide	1	
24	2K8-26311-01-00	CABLE, THROTTLE 1 (1130MM)	1	
25	90179-08148-00	NUT	2	
26	90123-08013-00	BOLT	1	
27	90123-08046-00	BOLT	1	
28	2K5-26335-00-00	CABLE, CLUTCH	1	

CONTINUED ON NEXT FRAME ➤

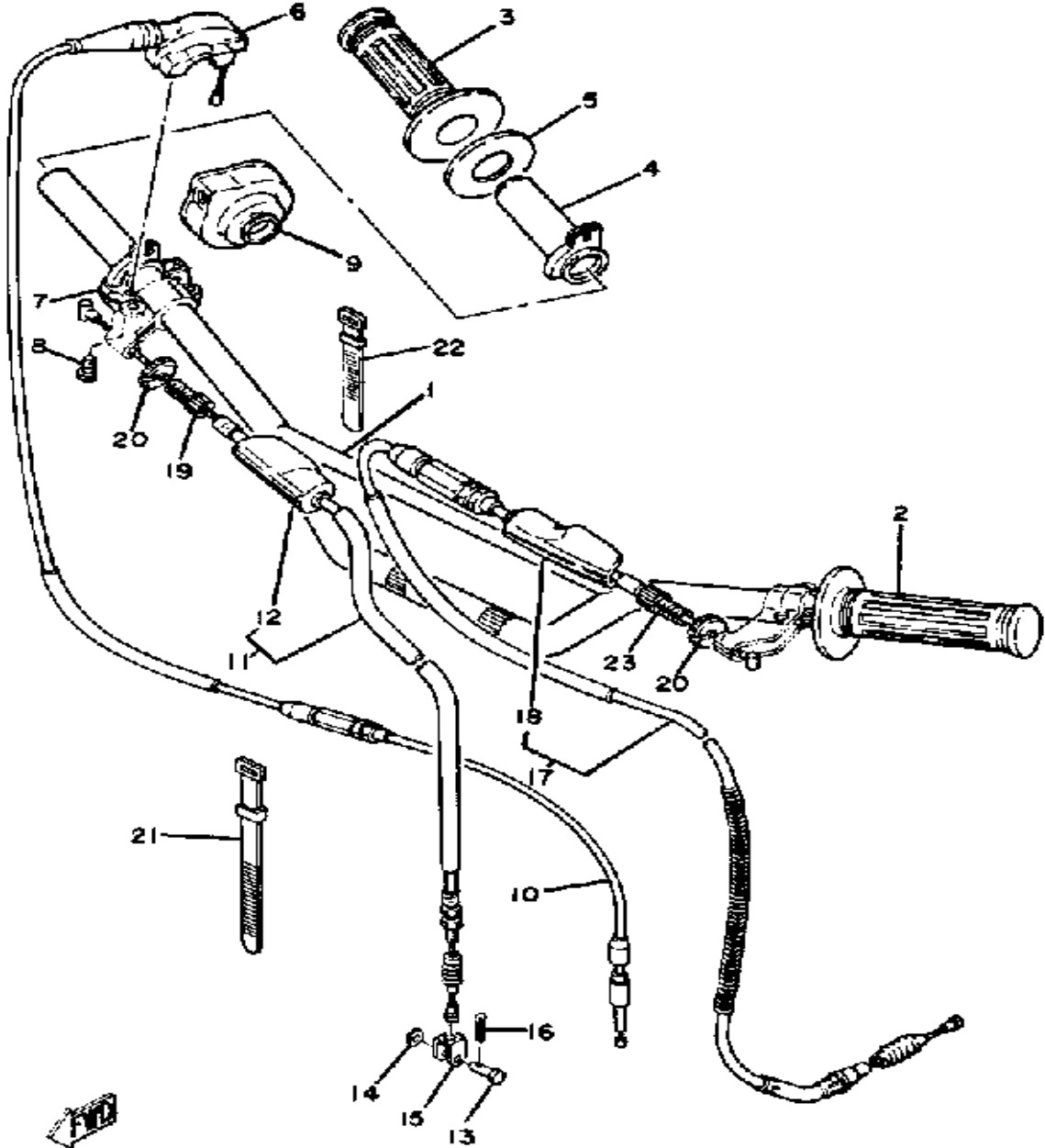
# HANDLEBAR - CABLE YZ125E - F



Ref. No.	Part Number	Description	Qty	Remarks
29	382-26372-01-00	. COVER, HANDLE LEVER 1 ..	1	
30	1W1-26341-01-00	CABLE, BRAKE .....	1	
31	382-26372-01-00	. COVER, HANDLE LEVER 1 ..	1	
32	156-26347-00-00	JOINT, CABLE .....	1	
33	90240-08013-00	PIN, CLEVIS .....	1	
34	90201-08083-00	WASHER, PLATE .....	1	
35	91490-20020-00	PIN, COTTER .....	1	
36	437-83936-11-00	BAND, SWITCH CORD .....	1	
37	437-83936-01-00	BAND, SWITCH CORD .....	3	

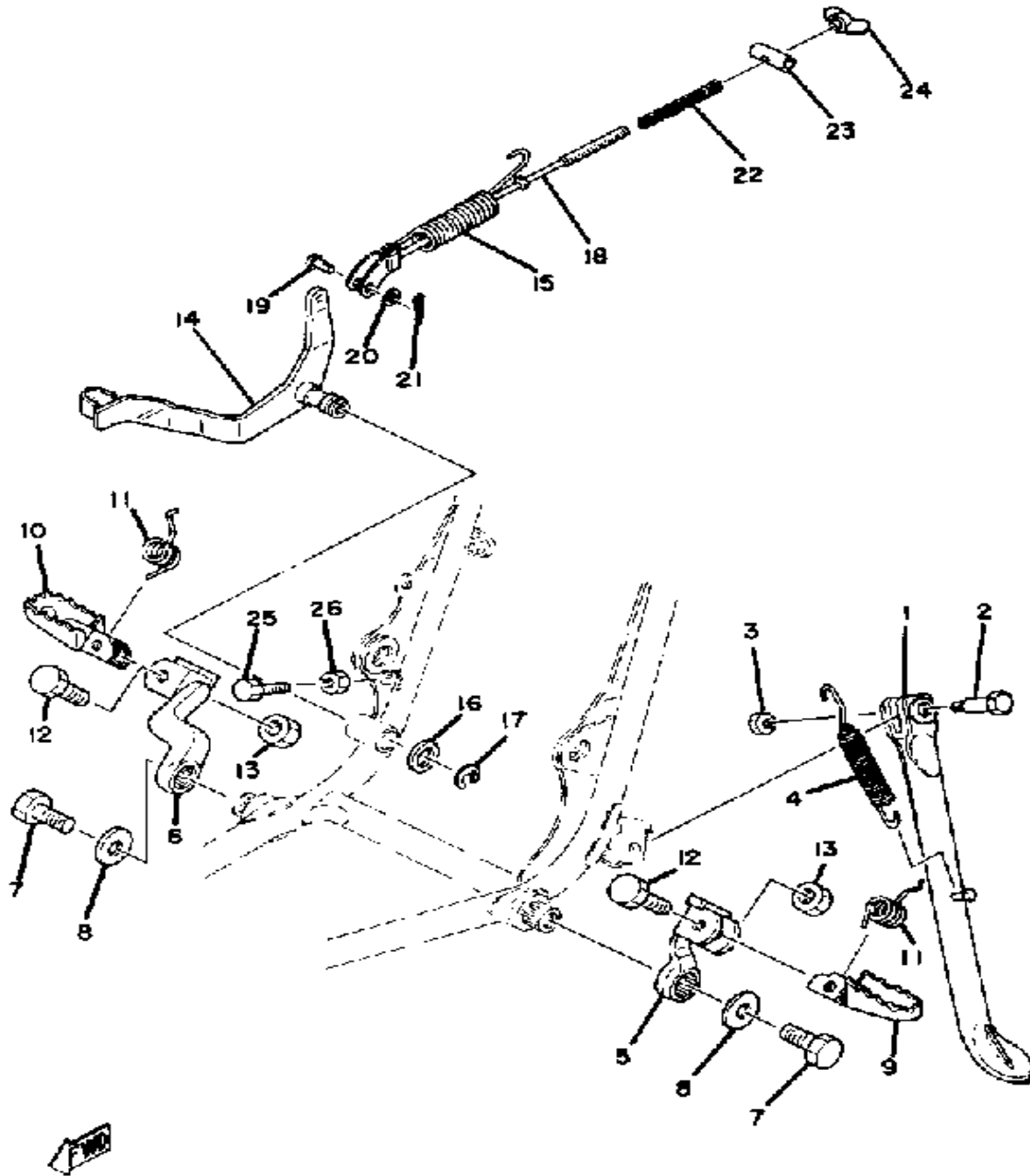


# HANDLEBAR - CABLE YZ125G



Ref. No.	Part Number	Description	Qty	Remarks
1	2X4-26111-01-00	HANDLEBAR .....	1	
2	1E6-26241-00-00	GRIP LH .....	1	
3	583-26242-00-00	GRIP RH .....	1	
4	322-26243-00-00	TUBE, throttle guide .....	1	
5	1W1-26249-00-00	RING, LEAF .....	1	
6	322-26281-00-98	CAP, GRIP UPPER .....	1	LOW GLOSS BLK
7	322-26282-00-00	CAP, GRIP LOWER .....	1	LOW GLOSS BLK
8	98580-05016-00	SCREW, PAN HEAD .....	2	
9	3R8-26287-00-00	COVER, CAP GRIP .....	1	
10	3R3-26311-00-00	CABLE, THROTTLE 1 .....	1	
11	1W4-26341-02-00	CABLE, BRAKE (1230MM) ....	1	
12	382-26372-01-00	. COVER, HANDLE LEVER 1 ..	1	
13	90240-08013-00	PIN, CLEVIS .....	1	
14	90201-08083-00	WASHER, PLATE .....	1	
15	156-26347-00-00	JOINT, CABLE .....	1	
16	91490-20020-00	PIN, COTTER .....	1	
17	3R3-26335-02-00	CABLE, CLUTCH .....	1	
18	382-26372-01-00	. COVER, HANDLE LEVER 1 ..	1	
19	90123-08046-00	BOLT .....	1	
20	90179-08148-00	NUT .....	2	
21	437-83936-11-00	BAND, SWITCH CORD .....	1	
22	437-83936-01-00	BAND, SWITCH CORD .....	1	
23	90123-08046-00	BOLT .....	1	

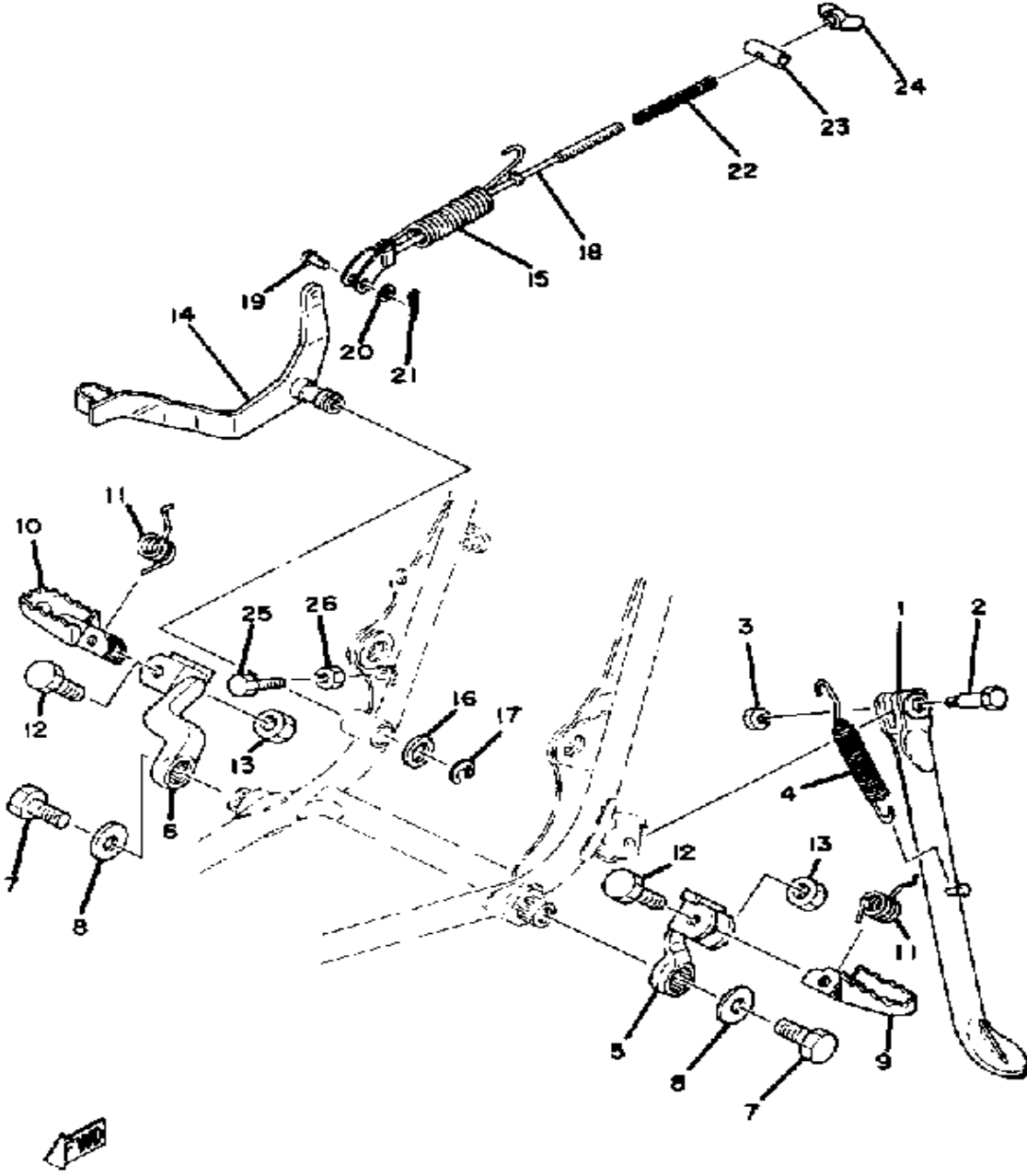
# STAND - FOOTREST - BRAKE PEDAL YZ1



Ref. No.	Part Number	Description	Qty	Remarks
1	1W1-27311-10-00	STAND, SIDE .....	1	
2	90109-103A1-00	BOLT .....	1	
3	95303-10700-00	NUT .....	1	
4	90507-29008-00	SPRING, TENSION .....	1	
5	(2W6-27412-00-00)	BRACKET, FOOTREST 1 .....	1	
	(99999-01340-00)	BRACKET FOOTREST .....	1	
	1W1-27412-11-00	. UNAVAILABLE IN PRICE BOOK .....	1	
	90101-08428-00	. BOLT .....	1	
6	(99999-01109-00)	BRACKET FOOTREST .....	1	
	1W1-27422-13-00	. UNAVAILABLE IN PRICE BOOK .....	1	
	2W6-27422-00-00	BRACKET, FOOTREST 2 .....	1	
	90101-08428-00	. BOLT .....	1	
7	97011-10016-00	BOLT, HEXAGON .....	2	
8	90201-10639-00	WASHER, PLATE .....	2	
9	1W4-27411-00-00	FOOTREST 1 .....	1	
	3R4-27411-00-00	FOOTREST 1 .....	1	
10	1W4-27421-00-00	FOOTREST 2 .....	1	
	3R4-27421-00-00	FOOTREST 2 .....	1	
11	90508-20023-00	SPRING, TORSION .....	2	
12	90101-08371-00	BOLT .....	2	
	90101-08428-00	BOLT .....	2	
13	95611-08100-00	NUT, U .....	2	
14	(1W1-27211-01-33)	PEDAL, BRAKE .....	1	YAMAHA BLK
	2X3-27211-01-33	PEDAL, BRAKE (2X3-27211-00-33) .....	1	
15	90506-18289-00	SPRING, TENSION .....	1	
	90506-20193-00	SPRING, TENSION .....	1	
16	90201-14212-00	WASHER, PLATE .....	1	

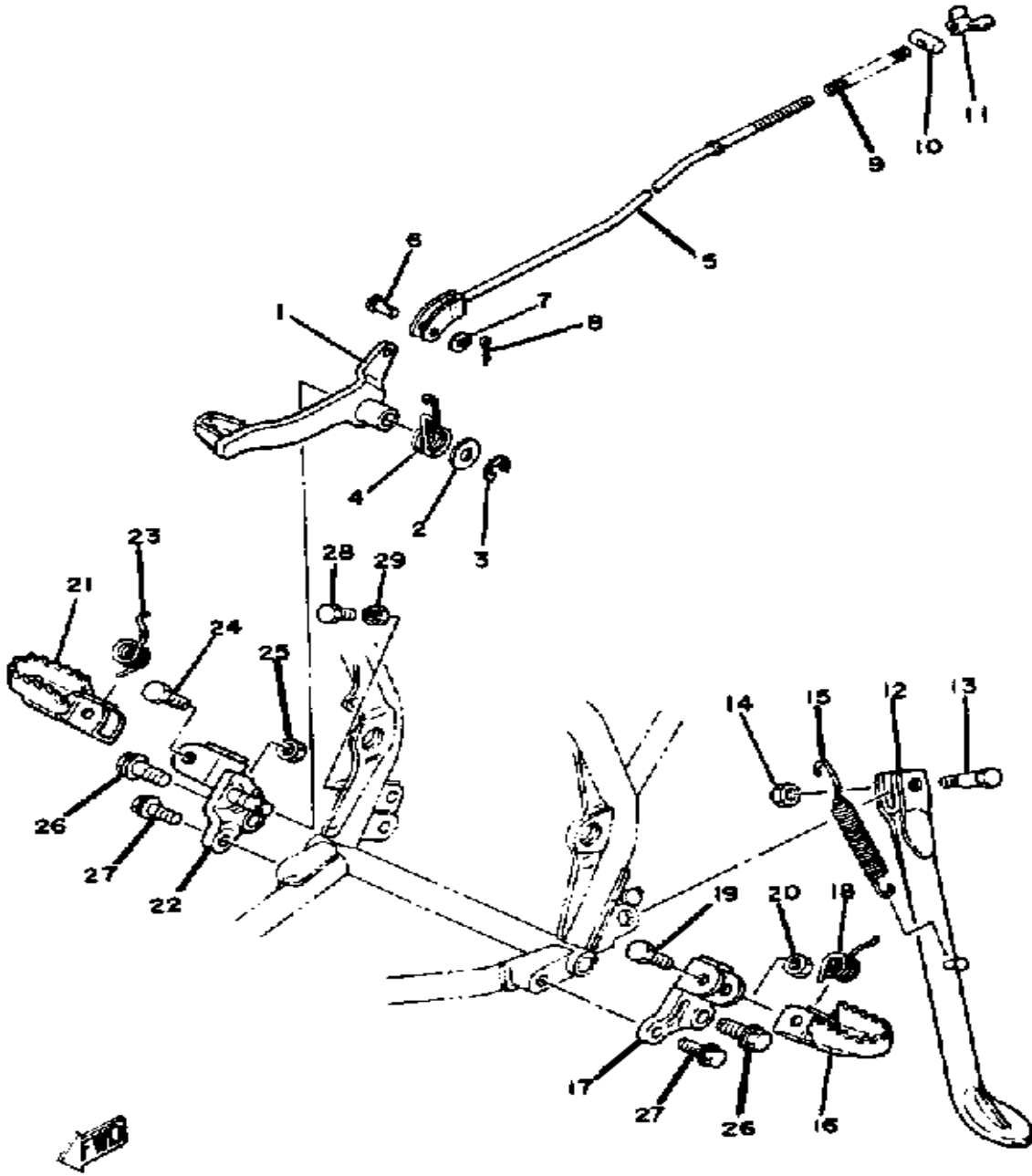
CONTINUED ON NEXT FRAME ►

# STAND - FOOTREST - BRAKE PEDAL YZ125



Ref. No.	Part Number	Description	Qty	Remarks
16	92990-12600-00	WASHER, PLATE .....	1	
17	93430-10015-00	CIRCLIP .....	1	
	99001-09600-00	CIRCLIP .....	1	
18	2K6-27231-00-00	ROD, BRAKE .....	1	
	2X3-27231-00-00	ROD, BRAKE .....	1	
19	90240-06103-00	PIN, CLEVIS .....	1	
20	92990-06200-00	WASHER, PLAIN .....	1	
21	91490-20020-00	PIN, COTTER .....	1	
22	90501-10245-00	SPRING, COMPRESSION .....	1	
23	90249-12008-00	PIN .....	1	
24	90179-06411-00	NUT .....	1	
25	97011-06020-00	BOLT .....	1	
26	95380-06700-00	NUT .....	1	

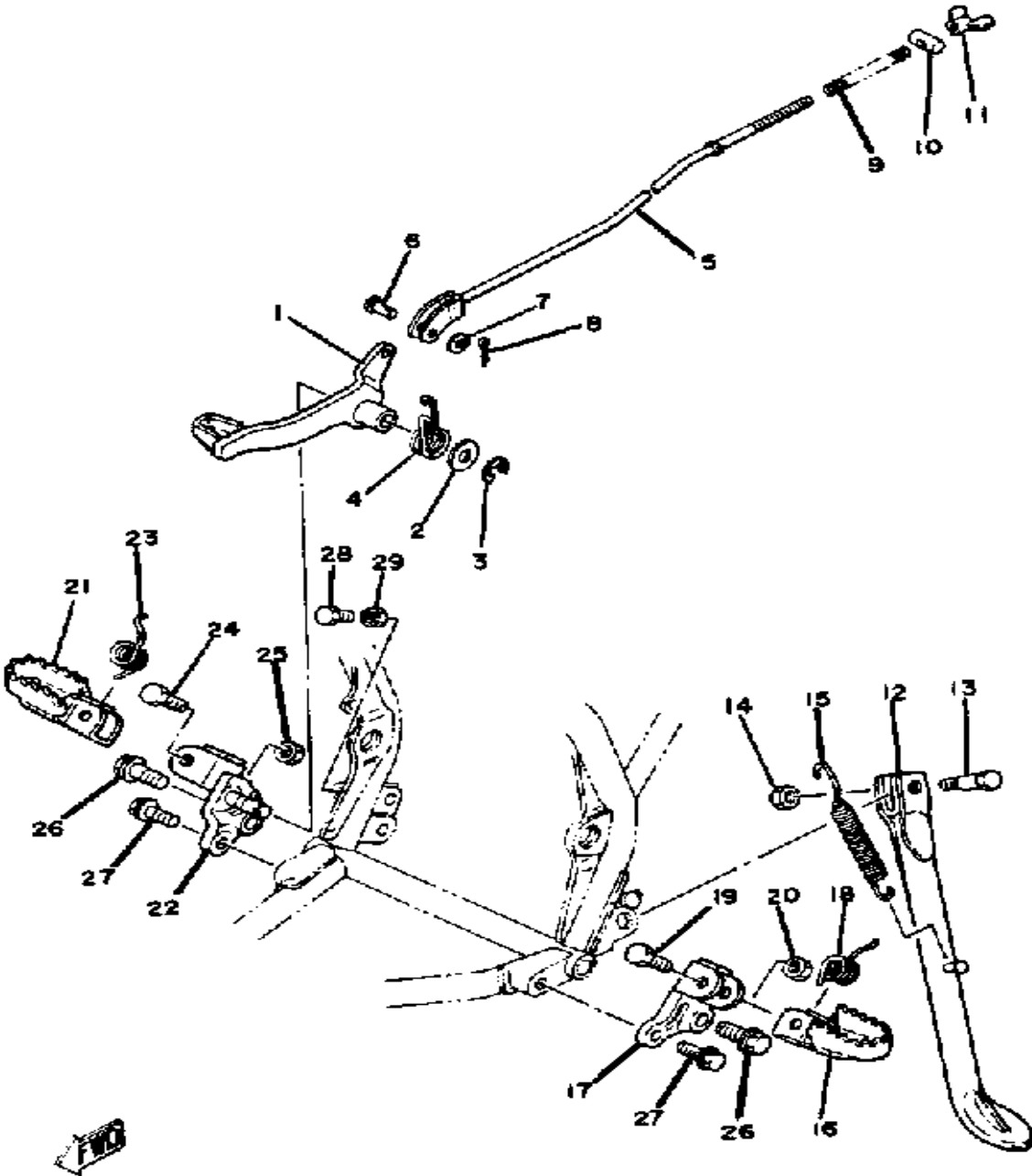
# STAND - FOOTREST YZ125G



Ref. No.	Part Number	Description	Qty	Remarks
1	(5X4-27211-00-90)	PEDAL, BRAKE	1	UNI CHROME (BLK)
2	92990-12200-00	WASHER, PLAIN	1	
3	99001-09600-00	CIRCLIP	1	
4	90508-32438-00	SPRING, TORSION	1	
5	3R3-27231-00-00	ROD, BRAKE	1	
6	90240-06103-00	PIN, CLEVIS	1	
7	92990-06200-00	WASHER, PLAIN	1	
8	91490-20020-00	PIN, COTTER	1	
9	90501-10245-00	SPRING, COMPRESSION	1	
10	90249-12008-00	PIN	1	
11	90179-06411-00	NUT	1	
12	3R3-27311-00-33	STAND, SIDE	1	YAMAHA BLK
13	90109-103A1-00	BOLT	1	
14	95303-10700-00	NUT	1	
15	90507-29008-00	SPRING, TENSION	1	
16	3R3-27411-00-00	UNAVAILABLE IN PRICE BOOK (3R4-27411-00-33)	1	
17	3R3-27412-00-00	BRACKET, FOOTREST 1	1	
18	90508-20023-00	SPRING, TORSION	1	
19	90101-08428-00	BOLT	1	
20	95611-08100-00	NUT, U	1	
21	3R4-27421-00-00	FOOTREST 2	1	
22	3R3-27422-00-00	BRACKET, FOOTREST 2	1	
23	90508-20023-00	SPRING, TORSION	1	
24	90101-08428-00	BOLT	1	
25	95611-08100-00	NUT, U	1	
26	90105-12096-00	BOLT, WASHER BASED	2	
27	95811-10020-00	BOLT, FLANGE	2	
28	97011-06020-00	BOLT	1	

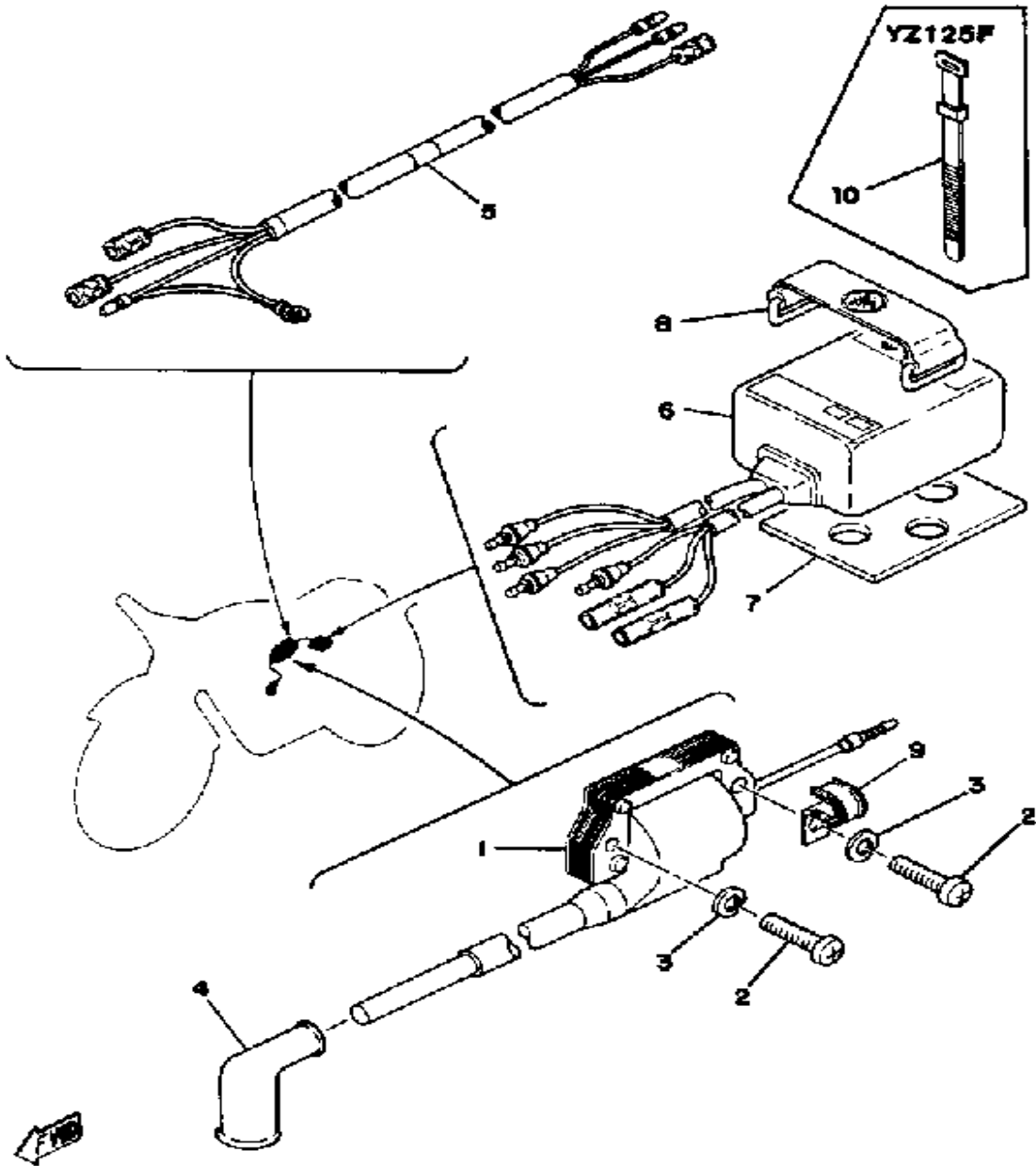
CONTINUED ON NEXT FRAME ►

# STAND - FOOTREST YZ125G



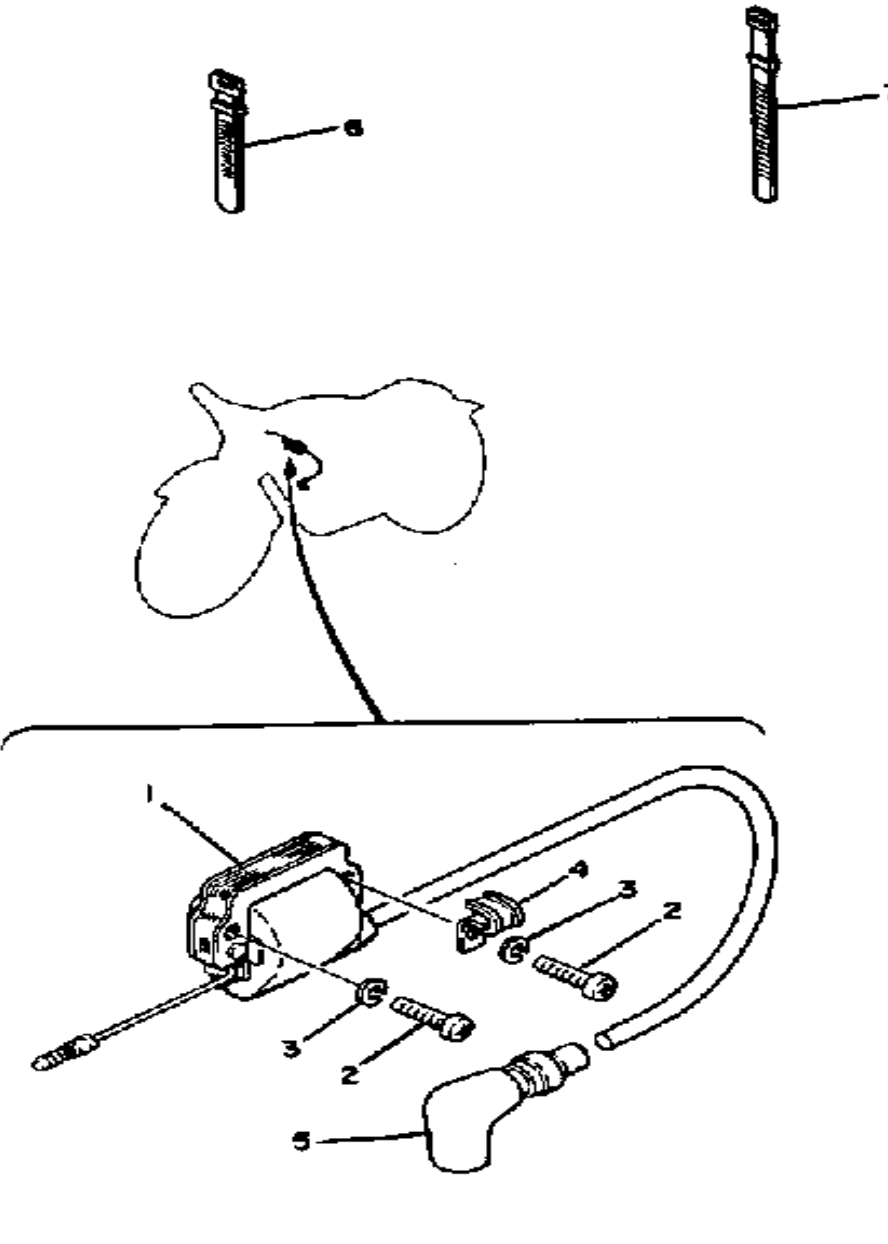
Ref. No.	Part Number	Description	Qty	Remarks
29	95380-06700-00	NUT .....	1	

# ELECTRICAL YZ125E - F



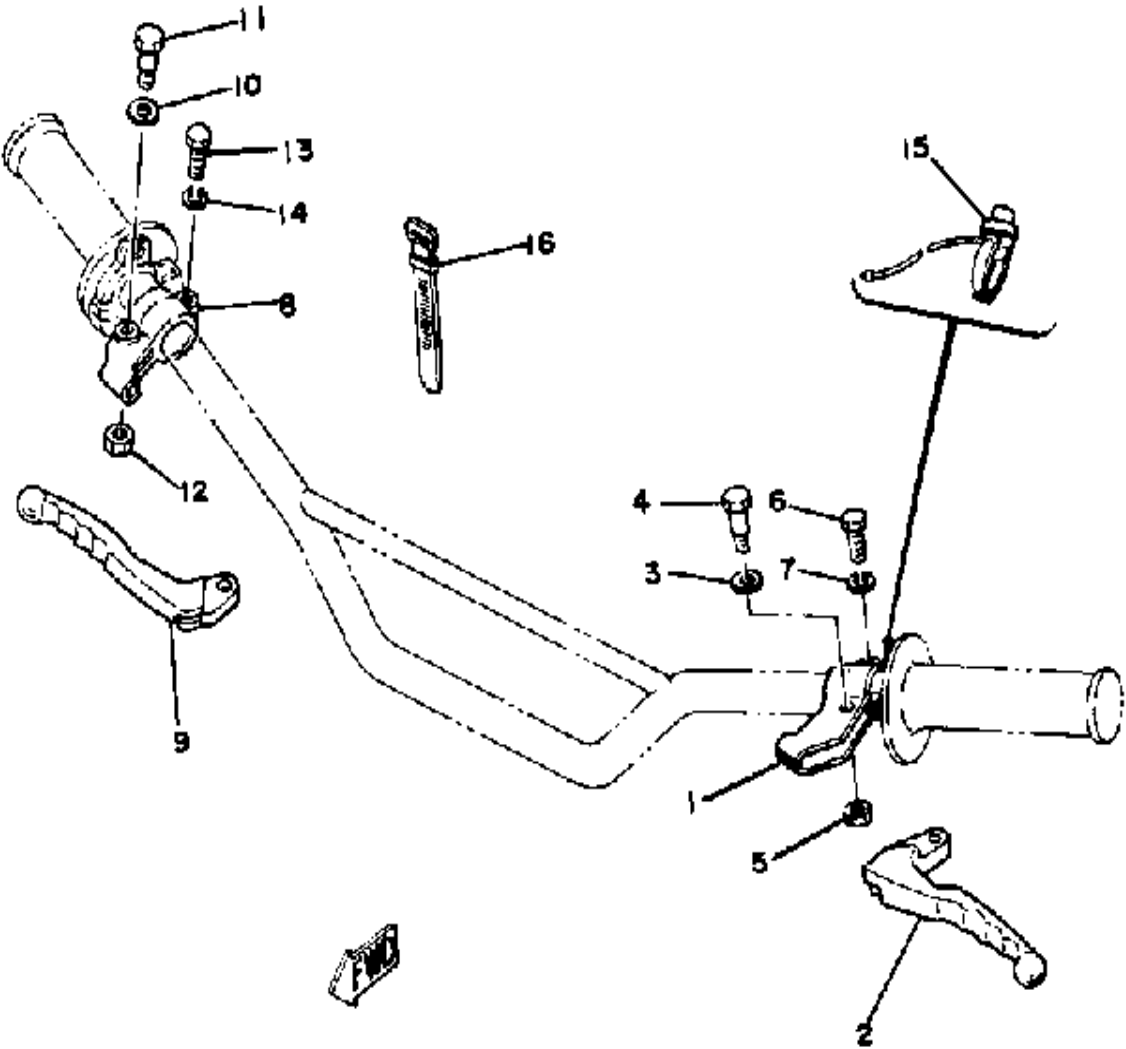
Ref. No.	Part Number	Description	Qty	Remarks
1	2X6-82310-10-00	IGNITION COIL ASSEMBLY ...	1	
	565-82310-10-00	IGNITION COIL ASSEMBLY ...	1	
2	98511-06025-00	SCREW PAN HEAD .....	2	
3	92995-06100-00	WASHER, SPRING .....	2	
4	294-82370-00-00	PLUG CAP ASSEMBLY .....	1	
5	(1W1-82590-02-00)	WIRE HARNESS ASSEMBLY ..	1	
	(2X3-82590-01-00)	WIRE HARNESS ASSEMBLY ..	1	
6	2X6-85540-10-00	CDI UNIT ASSEMBLY (2X6-85540-11) .....	1	
	3V3-85540-10-00	INACTIVE PART NUMBER (509-85540-1) .....	1	
7	1M2-85547-00-00	DAMPER .....	1	
	2K7-85547-00-00	DAMPER .....	1	
8	122-82131-00-00	BAND, BATTERY .....	1	
	21V-21376-00-00	BAND, TOOL .....	1	
9	90462-05005-00	CLAMP .....	1	
10	341-26397-01-00	BAND .....	1	

# ELECTRICAL YZ125G



Ref. No.	Part Number	Description	Qty	Remarks
1	2X6-82310-10-00	IGNITION COIL ASSEMBLY ...	1	
2	98511-06025-00	SCREW PAN HEAD .....	2	
3	92995-06100-00	WASHER, SPRING .....	2	
4	90462-05005-00	CLAMP .....	1	
5	81E-82370-20-00	PLUG CAP ASSEMBLY .....	1	U.R.
	8E7-82370-11-00	PLUG CAP ASSEMBLY .....	1	U.R.WITH NOISE SUPPRESSOR
6	437-83936-01-00	BAND, SWITCH CORD .....	3	
7	437-83936-11-00	BAND, SWITCH CORD .....	1	

# HANDLE SWITCH - LEVER YZ125G



Ref. No.	Part Number	Description	Qty	Remarks
1	214-82911-01-00	HOLDER, LEVER 1	1	
2	23X-83912-00-00	LEVER 1	1	
3	90201-08083-00	WASHER, PLATE	1	
4	90109-06797-00	BOLT	1	
5	95601-06100-00	NUT, U	1	
6	97003-06022-00	BOLT, HEXAGON (97301-06022)	1	
7	92995-06100-00	WASHER, SPRING	1	
8	516-82921-30-00	HOLDER, LEVER 2	1	
9	23X-83922-00-00	LEVER 2	1	
10	90201-08083-00	WASHER, PLATE	1	
11	90109-06797-00	BOLT	1	
12	95601-06100-00	NUT, U	1	
13	97003-06022-00	BOLT, HEXAGON (97301-06022)	1	
14	92995-06100-00	WASHER, SPRING	1	
15	23X-83976-00-00	SWITCH, HANDLE 1	1	
16	437-83936-01-00	BAND, SWITCH CORD	2	



# YZ125E 1978 SERVICE DATA

MOTORCYCLE  
M7-063

<b>MODEL – IBM I.D. NUMBER</b>	YZ125E – 2K6
Initial Engine Number/Frame Number	2K6-000101 / 2K6-000101
Basic Color(s)	Competition Yellow
<b>ENGINE TYPE</b>	2-stroke, 7-port, single, reed valve, air-cooled
Bore/Stroke/Number Cylinders/Displacement (cc)	56mm / 50mm / 1 / 123cc
Compression Ratio/Compression Pressure min. ~ max.	7.4:1 / N/A
Piston Skirt Clearance new/max.	0.045 ~ 0.050mm / 0.1mm
Ring End Gap top/2nd/3rd	0.3 ~ 0.5mm / same / $\phi$
Valve Clearance (cold) Intake/Exhaust	$\phi$
Oil Pressure hot/rpm	$\phi$
Oil Tank or Engine Sump Capacity	Premix 20:1 Yamalube R* & Premium Gasoline
<b>AUTOLUBE – Min. stroke/Color code</b>	$\phi$
Minimum Output @ 200 cycles	$\phi$
Maximum Output @ 200 cycles	$\phi$
<b>CARBURETOR – mfr./type/I.D. number</b>	Mikuni / VM32SS / 2K600
Main Jet/Pilot Jet	280 / 60
Needle Jet/Jet Needle-Clip Position	P-8 / 6F22-3
Slide Cutaway or Throttle Valve	2.0
Float Height	36.5 ± 1mm
Mixture Screw – turns out/idle rpm	1 3/4 / $\phi$
<b>SUSPENSION</b>	
Front Forks: Oil type/level/qty	15wt Fork Oil* / $\phi$ / 283cc
Gas Pressure	1.0 kg/cm <sup>2</sup> (14psi)
Spring Length std	513mm
Monoshock: Oil type/qty	$\phi$
Gas Pressure	15 kg/cm <sup>2</sup> (213psi)
<b>TRANSMISSION – oil type/qty chg/qty reassemble</b>	SAE20W40 (Yamalube 4*) / 650cc / 650cc
Primary drive type	Helical Gear
Secondary type/teeth/chain	Chain / 71-22 / DID520TR - 104L
Clutch Friction Plate Thickness std ~ min.	3.0 ~ 2.7mm
Clutch Spring Length std ~ min.	36.0 ~ 35.0mm
Tires size (nominal pressure)	Front: 3.00-21 (13psi) Rear: 4.10-18 (14psi)
<b>ELECTRICAL – System/Type</b>	CDI Inner Rotor
Maximum Output	$\phi$
Field Coil Color Code/ $\Omega$	$\phi$
Charging Coil Color Code/ $\Omega$	low speed: Brn ~ Red / 500 $\Omega$ ± 15%
Source Coil Color Code/ $\Omega$	$\phi$
Lighting Coil Color Code/ $\Omega$	$\phi$
Pulse Coil or Pickup Coil Color Code/ $\Omega$	Wht-Red ~ Red / 85 $\Omega$ ± 15%
Ignition Coil test gap Primary $\Omega$ / Secondary $\Omega$	6mm / 0.6 $\Omega$ ± 10% / 6.0K $\Omega$ ± 20%
Battery – model/spec. grav./chg rate x hour	$\phi$
Headlight/Tailight/Signal Rating	$\phi$
Point Gap/Condenser Capacitance	$\phi$ / $\phi$
Spark Plug Type	Champion N-59G
Spark Plug Gap/Torque/Cap $\Omega$	0.7mm (0.03 in.) / 2.0 m·kg / 0 $\Omega$
Timing Static	1.2mm BTDC
Dynamic	$\phi$

$\phi$  = Does Not Apply To This Model

\* Available from Yamaha Parts Distributors, Inc.

©YAMAHA MOTOR CORPORATION, U. S. A., BUENA PARK, CALIFORNIA

11/11/77 Page 1 of 1

# YZ125F 1979 SERVICE DATA

MOTORCYCLE  
M8-051

<b>MODEL – IBM I.D. NUMBER</b>	YZ125F	2X3
Initial Engine Number/Frame Number	2X3-000101 / 2X3-000101	
Basic Color(s)	Competition Yellow	
Fuel Type/Fuel Tank Capacity/Reserve Capacity	Premium / 6.1 Lit (1.6 Gal.) / $\phi$	
Dry Vehicle Weight	88 kg (194 lbs.)	
<b>ENGINE TYPE</b>	2-Stroke, Air-Cooled, Reed Valve	
Bore/Stroke/Number Cylinders/Displacement (cc)	56mm / 50mm / 1 / 123cc	
Compression Ratio/Compression Pressure min ~ max	8.3:1 / $\phi$	
Piston Skirt Clearance new/max.	0.045 ~ 0.050mm / 0.1mm	
Ring End Gap top/2nd/3rd	0.30 ~ 0.50mm / 0.30 ~ 0.50mm / $\phi$	
Valve Clearance (cold) Intake/Exhaust	$\phi$	
Oil Pressure hot/rpm		
Oiling System	Premix (20:1)	
Capacity: Dry	$\phi$	
Oil and Filter Change	$\phi$	
Oil Change	$\phi$	
Lubricant: Temp above 5°C (40°F)	Yamalube R*	
Below 15°C (60°F)	Yamalube R*	
<b>AUTOLUBE – Min. Stroke/Color Code</b>	$\phi$	
Minimum Output @ 200 cycles	$\phi$	
Maximum Output @ 200 cycles	$\phi$	
<b>CARBURETOR – Mfr./Type/I.D. Number</b>	Mikuni / VM32SS / 2X300	
Main Jet/Pilot Jet	280 / 60	
Needle Jet/Jet Needle-Clip Position	P-8 / 6F22-3	
Slide Cutaway or Throttle Valve	3.0	
Float Level	23.5 ± 1mm	
Idle RPM	$\phi$	
CO % @ Idle (Diagnostic Use Only)	$\phi$	
<b>SUSPENSION</b>		
Front Forks: Oil Type/Level/Qty.	15 wt. Fork Oil* / $\phi$ / 301cc	
Gas Pressure	0.9 kg/cm <sup>2</sup>	
Spring Length Std.	589.5mm	
Monoshock: Oil Type/Qty.	Not Rebuildable	
Gas Pressure	15 kg/cm <sup>2</sup>	
Minimum Brake Lining Thickness	Front: 2mm Rear: 2mm	
Tire Size (Nominal Pressure)	F: 3.00-21 (psi opt.) R: 4.10-18 (psi opt.)	
<b>TRANSMISSION – Oil Type/Qty Chg/Qty Reassemble</b>	SAE 10W30 SE / 700cc / 800cc	
Primary Drive Type/Teeth/Ratio	Helical Gear / 71-22 / 3.227	
Secondary Drive Type/Teeth/Chain	Chain / 51-12 / DID520TR-102L	
Clutch Friction Plate Thickness Std ~ min.	3.0mm ~ 2.7mm	
Clutch Spring Length Std ~ min.	34.0mm ~ 33.0mm	
Middle Gear Case Capacity	$\phi$	
Final Gear Case Capacity	$\phi$	
Gear Case Lubricant: Temp above 5°C (40°F)	$\phi$	
Temp below 15°C (60°F)	$\phi$	
All Weather Conditions	$\phi$	

Service Copy: \_\_\_\_\_ Service Mgr. \_\_\_\_\_ Mechanic \_\_\_\_\_ Mechanic \_\_\_\_\_ Mechanic \_\_\_\_\_ Binder

Office Copy: \_\_\_\_\_ General Mgr. \_\_\_\_\_ Sales \_\_\_\_\_ Parts \_\_\_\_\_ Binder

©YAMAHA MOTOR CORPORATION, U. S. A., BUENA PARK, CALIFORNIA November 30, 1978 PAGE 1 OF 2

**YZ125G**  
**1980 SERVICE DATA**

<b>CHARGING SYSTEM</b>	Flywheel Magneto
Battery: Model / Spec. Grav. / Chg. Rate	φ
Maximum Output	φ
<b>TROUBLESHOOTING</b>	
Field Coil Color Code / Ω	φ
Charge Coil Color Code / Ω	φ
<b>IGNITION SYSTEM</b>	Capacitor Discharge Ignition
Ignition Timing	1.1mm BTDC
Spark Plug Type	Champion N-59G
Spark Plug Gap / Torque / Cap Ω	0.7mm / 2.5 m·kg / φ
Point Gap / Condenser Capacitance	φ
<b>TROUBLESHOOTING</b>	
Ignition Coil Test Gap / Primary Ω / Secondary Ω	6mm / 0.6 Ω ± 10% / 6.2K Ω ± 20%
Pulse Coil or Pick-up Coil Color Code / Ω	Wht-Red ~ Red / 500 Ω ± 10%
Source Coil Color Code / Ω	Low: Brn ~ Red / 1437 Ω ± 10% High: Wht-Red ~ Red / 500 Ω ± 10%
<b>LIGHTING SYSTEM</b>	
Headlight / Taillight / Signal Rating	φ
<b>TROUBLESHOOTING</b>	
Lighting Coil Color Code / Ω	φ
<b>TORQUE VALUES</b>	
Front Axle Nut	14 x 1.5: 8.5 m·kg
Front Axle Holder Nut	φ
Rear Axle Nut	14 x 1.5: 8.5 m·kg
Rear Axle Pinch Bolt	φ
Clutch Nut	14 x 1.5: 5.0 m·kg Use Lock Washer
Drain Plug	14 x 1.25: 2.5 m·kg
Cylinder Head Cover	φ
Cylinder Head:	Nut 8 x 1.25: 2.5 m·kg
	Stud 8 x 1.25: 2.4 m·kg
Engine Mounting Bolts: Front	8 x 1.25: 3.0 m·kg
Rear, Upper	8 x 1.25: 3.0 m·kg
Rear, Lower	10 x 1.25: 6.4 m·kg

φ Does Not Apply to This Model

\* Available From Yamaha Parts Distributors, Inc.

	YZ125G	3R3
Initial Engine Number / Frame Number	3R3-000101 / 3R3-000101	
Basic Color(s)	Competition Yellow	
Fuel Type/Fuel Tank Capacity/Reserve Capacity	Premium / 6.5 Lit. (1.7 Gal.) / φ	
Dry Vehicle Weight	85 kg (187.4 lbs.)	
	<b>2-Stroke, Air Cooled, Reed Valve</b>	
Bore/Stroke/Number Cylinders/Displacement (cc)	56mm / 50mm / 1 / 123cc	
Compression Ratio/Compression Pressure Min~Max	8.4: 1 / φ	
Piston Skirt Clearance New/Max	0.045 ~ 0.050mm / 0.1mm	
Ring End Gap Top / 2nd / 3rd	0.30 ~ 0.50mm / 0.30 ~ 0.50mm / φ	
Valve Clearance (Cold) Intake/Exhaust	φ	
Oil Pressure Hot / rpm	φ	
Oiling System	Premix 16:1 (32:1 Novice Rider) Yamalube R*	
Capacity: Dry	φ	
Oil and Filter Change	φ	
Oil Change	φ	
Lubricant: Temp. above 5°C (40°F)	Yamalube R*	
Below 15°C (60°F)	Yamalube R*	
	φ	
Minimum Output @ 200 Cycles	φ	
Maximum Output @ 200 Cycles	φ	
	Mikuni / VM32SS / 3R3-00	
Main Jet / Pilot Jet	300 / 60	
Needle Jet / Jet Needle-Clip Position	P-8 / 6F22-3	
Slide Cutaway or Throttle Valve	3.0	
Float Level	23.4 ± 1mm	
Idle rpm	φ	
CO % @ Idle (Diagnostic Use Only)	φ	
Front Forks: Oil Type / Level / Qty	15 Wt. Fork Oil* / φ / 374 ± 4cc	
Gas Pressure	0 kg/cm <sup>2</sup>	
Spring Length Std.	563mm	
Monoshock: Oil Type / Qty	Not Rebuildable	
Gas Pressure	15 kg/cm <sup>2</sup> (213.4 psi)	
Minimum Brake Lining Thickness	Front: 2mm Rear: 2mm	
Tire Size (Nominal Pressure)	F:3.00-21 (psi - Opt.) R:4.10-18 (psi - Opt.)	
	SAE 10W30 SE / 600cc / 700cc	
Primary Drive Type / Teeth / Ratio	Helical Gear / 62-18 / 3.444	
Secondary Drive Type / Teeth / Chain	Chain Drive / 48-12 / DK520DS-102L	
Clutch Friction Plate Thickness Std ~ Min.	3.0 ~ 2.7mm	
Clutch Spring Length Std ~ Min.	36mm ~ 35mm	
Middle Gear Case Capacity	φ	
Final Gear Case Capacity	φ	
Gear Case Lubricant: Temp above 5°C (40°F)	φ	
Temp below 15°C (60°F)	φ	
All Weather Conditions	φ	

Service Copy: \_\_\_\_\_ Service Mgr. \_\_\_\_\_ Mechanic \_\_\_\_\_ Mechanic \_\_\_\_\_ Mechanic \_\_\_\_\_ Binder

Office Copy: \_\_\_\_\_ General Mgr. \_\_\_\_\_ Sales \_\_\_\_\_ Parts \_\_\_\_\_ Binder

©1979 YAMAHA MOTOR CORPORATION, U.S.A. CYPRESS, CALIF.

December 31, 1979 PAGE 1 OF 2

	Flywheel Magneto
Battery: Model / Spec. Grav. / Chg. Rate	∅
Maximum Output	∅
TROUBLESHOOTING	
Field Coil Color Code / Ω	∅
Charge Coil Color Code / Ω	∅
	Capacitor Discharge Ignition
Ignition Timing	2.27mm BTDC
Spark Plug Type	Champion N-59G
Spark Plug Gap / Torque / Cap Ω	0.7mm / 2.5 m-kG / 0 Ω
Point Gap / Condenser Capacitance	∅ / ∅
TROUBLESHOOTING	
Ignition Coil Test Gap/Primary Ω/Secondary Ω	6mm / 0.60 Ω ± 10% / 6.2K Ω ± 20%
Pulser Coil or Pick-up Coil Color Code / Ω	Red ~ Wht-Red / 270 Ω ± 10%
Source Coil Color Code / Ω	Brn ~ Red / 1437 Ω ± 10%
Headlight / Taillight / Signal Rating	∅
TROUBLESHOOTING	
Lighting Coil Color Code / Ω	∅
Front Axle Nut	14 x 1.5: 8.5 m-kG
Front Axle Holder Nut	8 x 1.25: 1.0 m-kG
Rear Axle Nut	14 x 1.5: 8.5 m-kG
Rear Axle Pinch Bolt	∅
Clutch Nut	14 x 1.5: 5.0 m-kG Use Lock Washer
Drain Plug	14 x 1.25: 2.5 m-kG
Cylinder Head Cover	∅
Cylinder Head:	Nut 8 x 1.25: 3.0 m-kG Stud 8 x 1.25: 2.5 m-kG
Engine Mounting Bolts: Front	8 x 1.25: 3.0 m-kG
Lower Center	8 x 1.25: 3.0 m-kG
Pivot Shaft	8.5 m-kG

∅ Does Not Apply To This Model  
N/A Information Not Available

\* Available From Yamaha Parts Distributors, Inc.

	Flywheel Magneto
Battery: Model / Spec. Grav. / Chg. Rate	∅
Maximum Output	∅
TROUBLESHOOTING	
Field Coil Color Code / Ω	∅
Charge Coil Color Code / Ω	∅
	Capacitor Discharge Ignition
Ignition Timing	2.27mm BTDC
Spark Plug Type	Champion N-59G
Spark Plug Gap / Torque / Cap Ω	0.7mm / 2.5 m-kG / 0 Ω
Point Gap / Condenser Capacitance	∅ / ∅
TROUBLESHOOTING	
Ignition Coil Test Gap/Primary Ω/Secondary Ω	6mm / 0.60 Ω ± 10% / 6.2K Ω ± 20%
Pulser Coil or Pick-up Coil Color Code / Ω	Red ~ Wht-Red / 270 Ω ± 10%
Source Coil Color Code / Ω	Brn ~ Red / 1437 Ω ± 10%
Headlight / Taillight / Signal Rating	∅
TROUBLESHOOTING	
Lighting Coil Color Code / Ω	∅
Front Axle Nut	14 x 1.5: 8.5 m-kG
Front Axle Holder Nut	8 x 1.25: 1.0 m-kG
Rear Axle Nut	14 x 1.5: 8.5 m-kG
Rear Axle Pinch Bolt	∅
Clutch Nut	14 x 1.5: 5.0 m-kG Use Lock Washer
Drain Plug	14 x 1.25: 2.5 m-kG
Cylinder Head Cover	∅
Cylinder Head:	Nut 8 x 1.25: 3.0 m-kG Stud 8 x 1.25: 2.5 m-kG
Engine Mounting Bolts: Front	8 x 1.25: 3.0 m-kG
Lower Center	8 x 1.25: 3.0 m-kG
Pivot Shaft	8.5 m-kG

∅ Does Not Apply To This Model  
N/A Information Not Available

\* Available From Yamaha Parts Distributors, Inc.