

# YAMAHA

## PARTS CATALOGUE

# YZ125J'82 (5X4)

125X4-300E1





FOR EUROPE, OCEANIA, OTHERS



FOR CANADA



# FOREWORD

This Parts Catalogue is related to the parts in use for the Yamaha YZ 125J '82 (5X4). When you are ordering replacement parts for the YZ 125J '82 (5X4), refer to this Parts Catalogue and quote both part numbers and part names correctly.

1. Modifications or additions which have been made after issue of the Parts Catalogue will be announced in the Yamaha Parts News.  
It is advisable that according to the Yamaha Parts News you make necessary corrections to the Parts Catalogue on hand to keep it up-to-date.

## 2. Abbreviations

The following abbreviations are used in this Parts Catalogue.

- U.R. Use size (thickness) and/or number as required.
- U.N. Use as many as you need.
- A.P. Alternate Parts
- L.M. Local Made
- F# Frame No. (Applicable machine No.)

3. The parts marked with (\*) in the parts number column of this Catalogue are not supplied with by Yamaha, those have to be found locally.
4. Parts, which are to be supplied in the form of assemblies, are listed with an indentation of one letter's space, and a dot ( . ) is put against the name of each part.

**EXAMPLE** CARBURETOR ASS'Y  
     . JET, pilot  
     . NOZZLE, main

## 5. Indication of No. of constituent parts for assembly

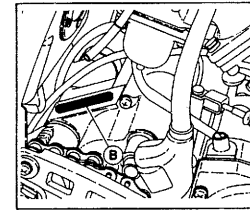
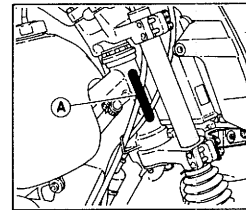
The numeral appearing to the right of each constituent part under the description indicates the quantity of such parts for each individual assembly unit.

**EXAMPLE**

Part No.	Description	Q'ty	Remarks
2F5-83310-60	FRONT FLASHER LIGHT ASS'Y	2	
115-83311-60	. BULB (6V-18W)	1	
1M1-83309-60	. REFLECTOR	1	

## 6. Initial Serial No. and Color Code

(A) Frame Serial No.	5X4-000101 and following
(B) Engine Serial No.	5X4-000101 and following



Color Code	Color Name	Abbreviate
	Clean White	

7. Applicable colors of graphics are represented in the "Remarks" column by the letter(s) appropriately picked out of the full word(s) showing such colors.

**EXAMPLE**

Part No.	Description	Q'ty	Remarks
2N4-24110-00-X5	FUEL TANK COMP.	1	MAXIM RED
3J1-24240-10	. GRAPHIC, fuel tank set	1	for MXR

# CONTENTS

## ENGINE

Fig. 1	Cylinder	1
Fig. 2	Governor	3
Fig. 3	Crankshaft · Piston	4
Fig. 4	C.D.I Magneto	5
Fig. 5	Water Pump	6
Fig. 6	Radiator Hose	7
Fig. 7	Intake	8
Fig. 8	Carburetor	10
Fig. 9	Exhaust	12
Fig. 10	Crankcase	13
Fig. 11	Crankcase Cover	14
Fig. 12	Kick Starter	15
Fig. 13	Clutch	16
Fig. 14	Transmission	17
Fig. 15	Shift Cam · Fork	19
Fig. 16	Shift Shaft · Pedal	20

## CHASSIS

Fig. 17	Frame · Tool	21
Fig. 18	Front Fender · Rear Fender	22
Fig. 19	Side Cover	23
Fig. 20	Rear Arm	24
Fig. 21	Rear Suspension	26
Fig. 22	Steering	28
Fig. 23	Front Fork	30
Fig. 24	Fuel Tank	33
Fig. 25	Seat	35
Fig. 26	Front Wheel	36
Fig. 27	Rear Wheel	37
Fig. 28	Handlebar · Cable	39
Fig. 29	Stand · Footrest	41

Fig. 30	Electrical 1	42
Fig. 31	Handle Switch · Lever	43

## EXCLUSIVE FOR EUROPE

Fig. 32	Carburetor	44
---------	------------	----

## EXCLUSIVE FOR CANADA

Fig. 33	Rear Suspension	46
Fig. 34	Front Fork	47

## ALTERNATE PARTS

Fig. 35	Alternate (Chassis)	50
---------	---------------------	----

## REPAIR KIT

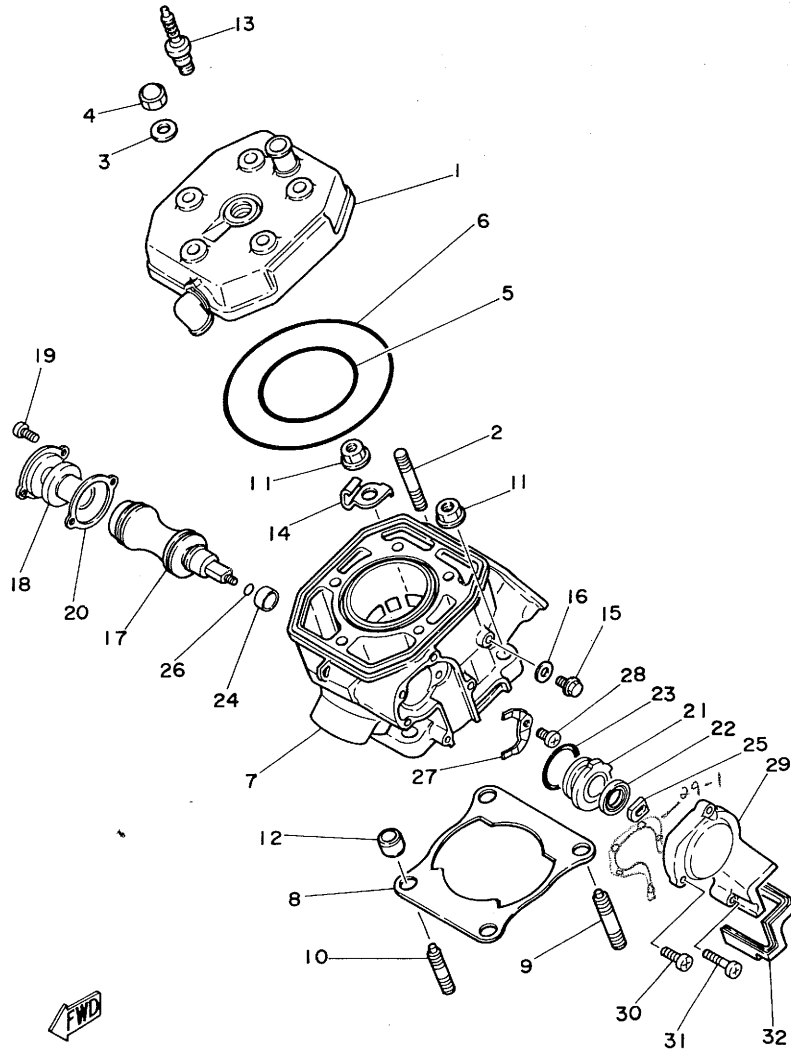
Fig. 36	Repair Kit	51
---------	------------	----

## INDEX

Numerical Index

Parts Name Index

FIG. 1 CYLINDER



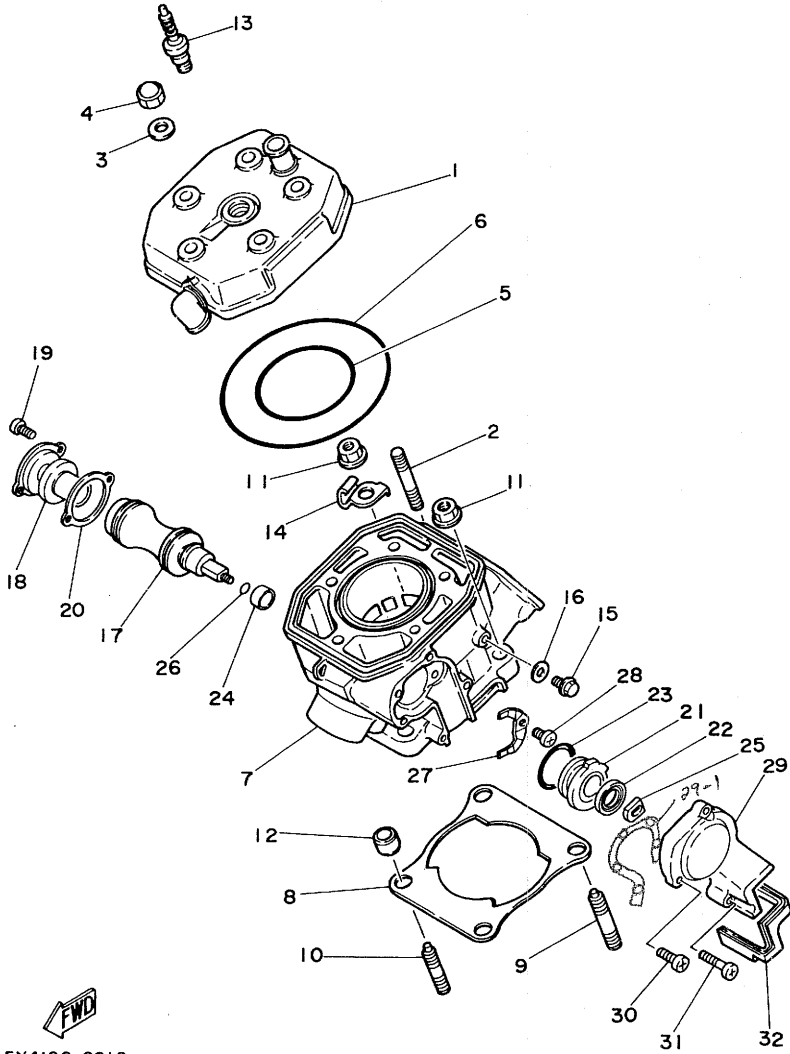
REF. NO.	PART NO.	DESCRIPTION	Q'TY	REMARKS
1	5X4-11111-00	HEAD, cylinder 1	1	
2	90116-08055 } 08372 }	BOLT, stud	5	
3	90201-08087	WASHER, Plate	5	
4	90176-08026	NUT, crown	5	
5	93210-69434	O-RING	1	
6	93211-24507	O-RING	1	
7	5X4-11311-00	CYLINDER 1	1	
8	5X4-11351-00	GASKET, cylinder	1	
9	90116-10279	BOLT, stud	2	
10	90116-10278	BOLT, stud	2	
11	90179-10292	NUT	4	
12	91830-24016	PIN, dowel	2	
13	B9 EGV	PLUG, sPark (CHAMPION N-84) G	1	LM
14	4V2-1131E-00	HOLDER 1	1	
15	95826-06010	BOLT, flange	1	
16	90430-06166	GASKET	1	
17	5X4-1131A-00	VALVE 1	1	
18	5X4-W1132-00	HOLDER 1	1	
19	98506-05012	SCREW, Pan head	2	
20	5X4-1131N-00	GASKET, holder	1	
21	5X4-W1133-00	HOLDER 2	1	
22	93104-16074	OIL SEAL	1	
23	93210-27244	O-RING	1	
24	90387-102F3	COLLAR	1	
25	5X5-11937-00	BOSS, lever	1	
26	93210-09192	O-RING	1	
27	5X4-11915-00	PLATE, thrust 1	1	
28	98506-05010	SCREW, Pan head	1	

FWD  
5X4100-2010

**B2**

FIG. 1 CYLINDER

REF. NO.	PART NO.	DESCRIPTION	Q'TY	REMARKS
29	5X4-11992-00	HOUSING 2	1	
29-1	5X4-11993-00	GRASS	1	
30	98506-05016	SCREW, Pan head	3	
31	98506-05025	SCREW, Pan head	1	
32	5X4-11995-00	SEAL, housing	1	

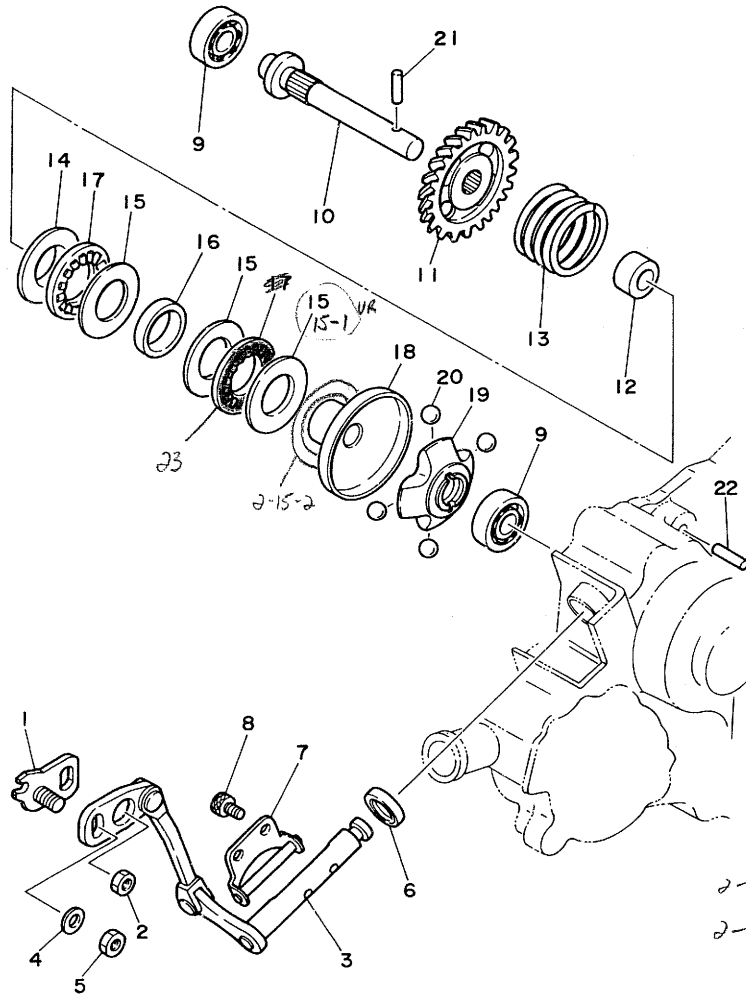


  
5X4100-2010

**B3**



FIG. 2 GOVERNOR



REF. NO.	PART NO.	DESCRIPTION	Q'TY	REMARKS
1	5X4-11931-00	LEVER	1	
2	90179-05376	NUT	1	
3	5X4-11990-00	PUSH ROD ASSY	1	
4	92901-05600	WASHER, Plate	1	
5	95601-05100	NUT, u	1	
6	93104-08040	OIL SEAL	1	
7	5X4-11922-00	FORK, Governor	1	
8	91316-04006	BOLT	2	
9	93300-60801	BEARING (B0060)	2	
10	5X4-11921-01	SHAFT, Governor	1	
11	5X4-11953-01	GEAR, Governor	1	
12	90560-08213	SPACER	1	
13	90E01-29663	SPRING, compression	1	
14	5X4-11952-00	PLATE	1	
15	90201-151A7	WASHER, Plate ( $t=1.0$ )	<del>X</del> 2	UR
16	90387-152F2	COLLAR	1	
17	93340-21505	BEARING	<del>X</del> 1	
18	5X5-11912-00	RETAINER, weight	1	
19	5X5-11911-00	RETAINER	1	
20	93521-64032	BALL	4	
21	93603-14179	PIN, dowel	1	
22	93603- <del>14026</del> <sup>13185</sup>	PIN, dowel	1	
23	90380-15104	BUSH SOLID	1	

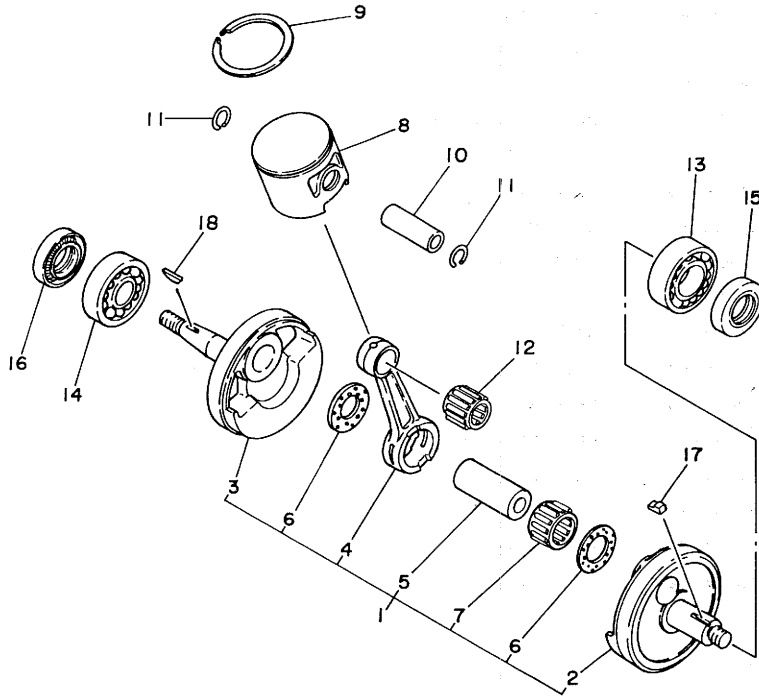
2-15-1 90201-154F5 ( $t=0.8$ ) 1 UR  
 2-15-2 154F6 ( $t=0.2$ ) 1 UR

5X4100-2020

**B4**

FIG. 3 CRANKSHAFT·PISTON

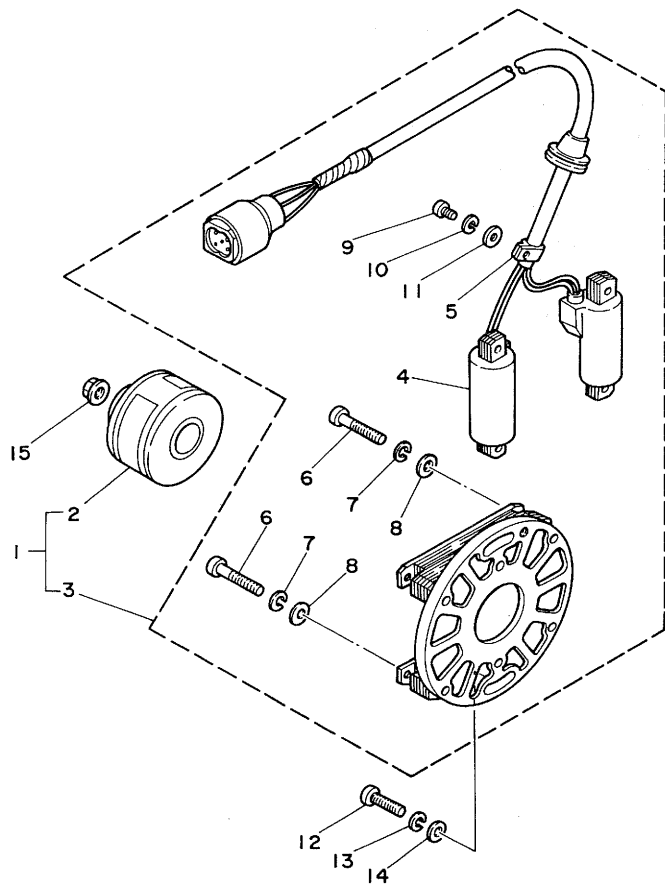
REF. NO.	PART NO.	DESCRIPTION	Q'TY	REMARKS
1	5X4-11400-00	CRANKSHAFT ASSY	1	
2	5X4-11412-00	•CRANK 1	1	
3	5X4-11422-00	•CRANK 2	1	
4	5X4-11651-00	•ROD, connecting	1	
5	3M5-11681-00	•PIN, crank 1	1	
6	90209-22071	•WASHER	2	
7	93310-522K7	•BEARING, cylindrical	1	
8	5X4-11631-00-93	PISTON (STD)	1	UR
	5X4-11631-00-94	PISTON (STD)	1	UR
	5X4-11635-00	PISTON (1ST O/S 0.25MM)	1	AP
	5X4-11636-00	PISTON (2ND O/S 0.50MM)	1	AP
	5X4-11637-00	PISTON (3RD O/S 0.75MM)	1	AP
	5X4-11638-00	PISTON (4TH O/S 1.00MM)	1	AP
9	5X4-11611-00	RING, Piston	1	
	5X4-11611-10	RING, Piston	1	AP
	5X4-11611-20	RING, Piston	1	AP
	5X4-11611-30	RING, Piston	1	AP
	5X4-11611-40	RING, Piston	1	AP
10	137-11633-00	PIN, Piston	1	
11	4V2-11634-00	CLIP, Piston Pin	2	
12	93310-216J2	BEARING, cylindrical	1	
13	93306-30421	BEARING (B6304C3)	1	
14	93306-20529	BEARING (B6205C4)	1	
15	93103-28126	OIL SEAL	1	
16	93102-25258	OIL SEAL	1	
17	90282-05050	KEY, straight	1	
18	90280-03017	KEY, woodruff	1	



5X4100-2030

**B5**

FIG. 4 C.D.I MAGNETO



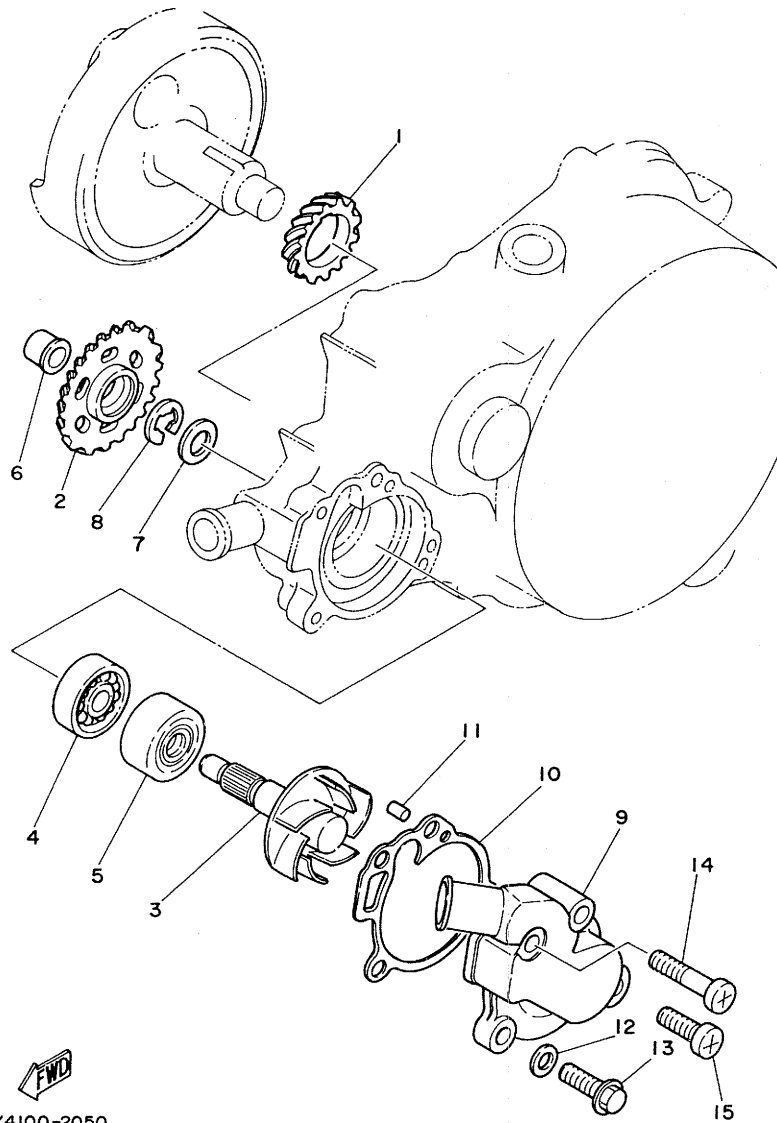
REF. NO.	PART NO.	DESCRIPTION	Q'TY	REMARKS
1	5X4-85500-10	C.D.I. MAGNETO ASSY	1	
2	5X4-85550-10	•ROTOR ASSY	1	
3	5X4-85510-10	•STATOR ASSY	1	
4	5X4-85520-10	••COIL, charge	1	
5	109-81328-11	••CLAMP	1	
6	98502-05030	••SCREW, Pan head	6	
7	92902-05100	••WASHER, sPring	6	
8	92901-05600	••WASHER, Plate	6	
9	98502-04008	••SCREW, Pan head	1	
10	92902-04100	••WASHER, sPring	1	
11	92901-04600	••WASHER, Plate	1	
12	92501-06020	SCREW, Pan head	2	
13	92901-06100	WASHER, sPring	2	
14	92901-06600	WASHER, Plate	2	
15	90179-10257	NUT	1	



5X4100-2040

**B6**

FIG. 5 WATER PUMP



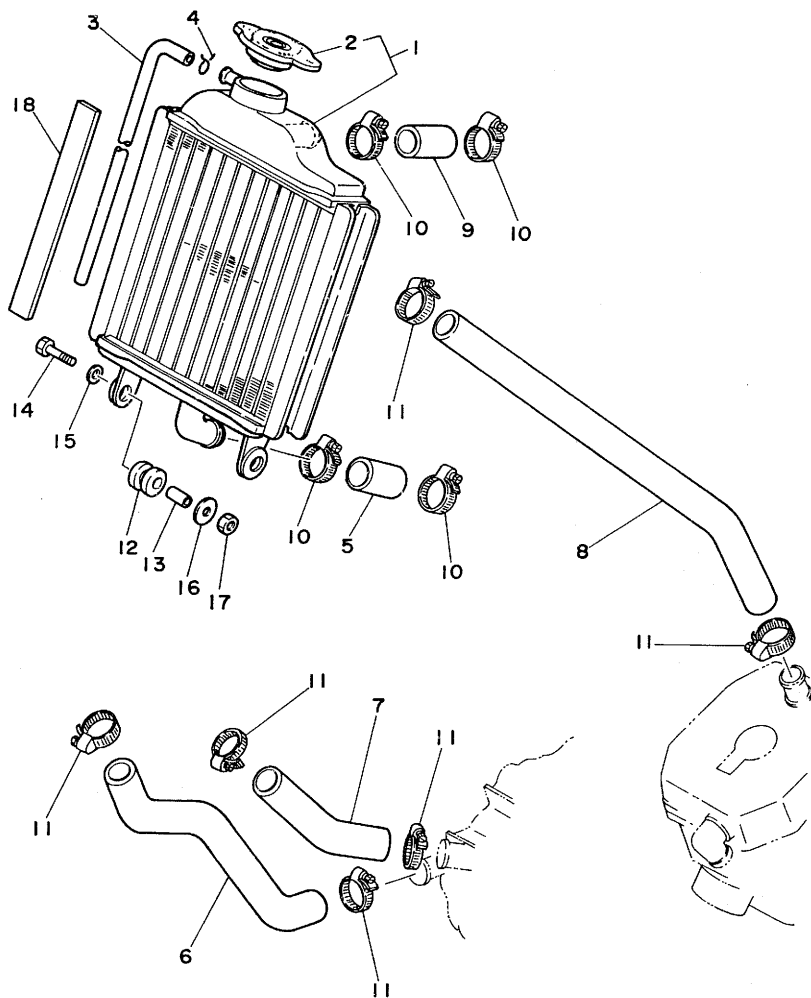
REF. NO.	PART NO.	DESCRIPTION	Q'TY	REMARKS
1	5X4-12436-00	GEAR, drive (20T)	1	
2	5X4-12459-00	GEAR, imPeller shaft (31T)	1	
3	4V2-12450-00	IMPELLER SHAFT ASSY	1	
4	93306-00105	BEARING (B6001)	1	
5	93103-12119	OIL SEAL	1	
6	90381-08002	BUSH, solid	1	
7	90201-10614	WASHER, Plate	1	
8	93430-08006	CIRCLIP	1	
9	5X4-12422-00	COVER, housing	1	
10	5X4-12428-00	GASKET, housing cover 2	1	
11	93604-10011	PIN, dowel	2	
12	90430-06166	GASKET	1	
13	95826-06020	BOLT, flange	1	
14	92506-06030	SCREW, Pan head	1	
15	92506-06020	SCREW, Pan head	1	



5X4100-2050

**B7**

FIG. 6 RADIATOR-HOSE



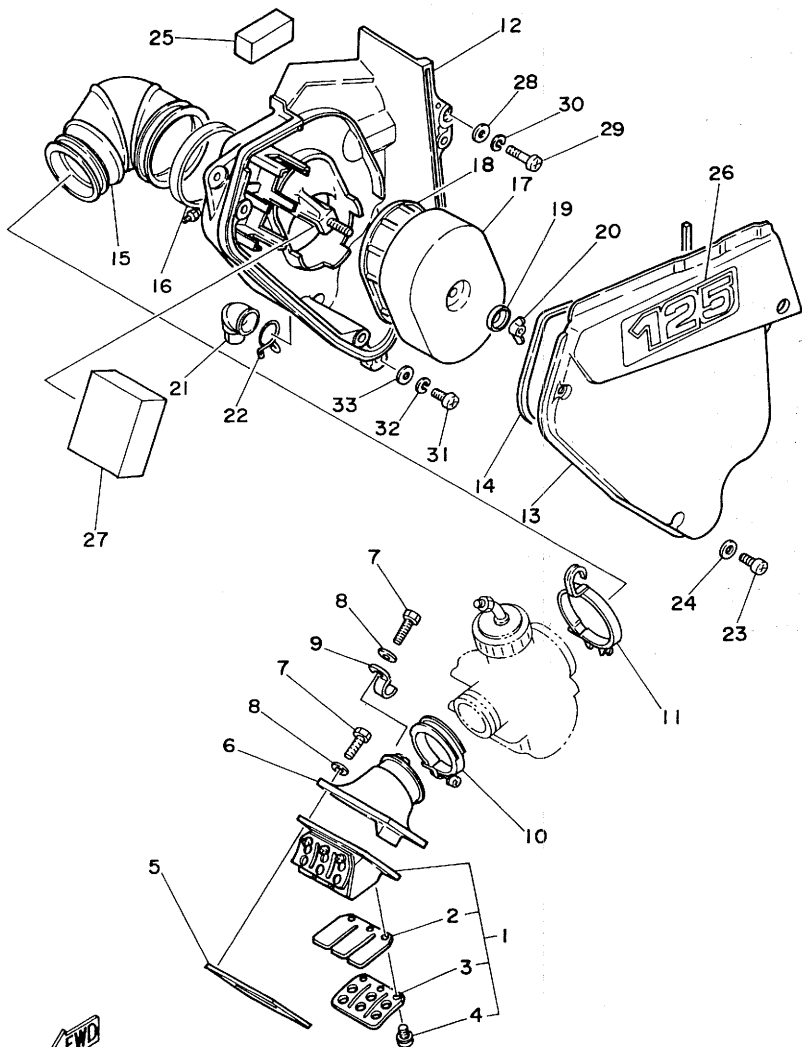
REF. NO.	PART NO.	DESCRIPTION	Q'TY	REMARKS
1	4V2-12460-01	RADIATOR ASSY	1	
2	4V2-12462-00	.CAP, radiator	1	
3	90446-09181	HOSE	1	
4	90467-10008	CLIP	1	
5	4V2-12481-00	PIPE 1	1	
6	5X4-12482-00	PIPE 2	1	
7	5X4-12483-00	PIPE 3	1	
8	5X4-12484-00	PIPE 4	1	
9	4V2-12484-00	PIPE 4	1	
10	90460-20190	CLAMP, hose	4	
11	90460-16192	CLAMP, hose	6	
12	90480-15064	GROMMET	2	
13	90387- <del>07257</del> <sup>07392</sup>	COLLAR	2	
14	97301-06030	BOLT	2	
15	92901-06600	WASHER, Plate	2	
16	90201-06570	WASHER, Plate	2	
17	90185-06098	NUT, self-locking	2	
18	5X4-12465-00	DAMPER, radiator	2	



5X4100-2060

**B8**

FIG. 7 INTAKE

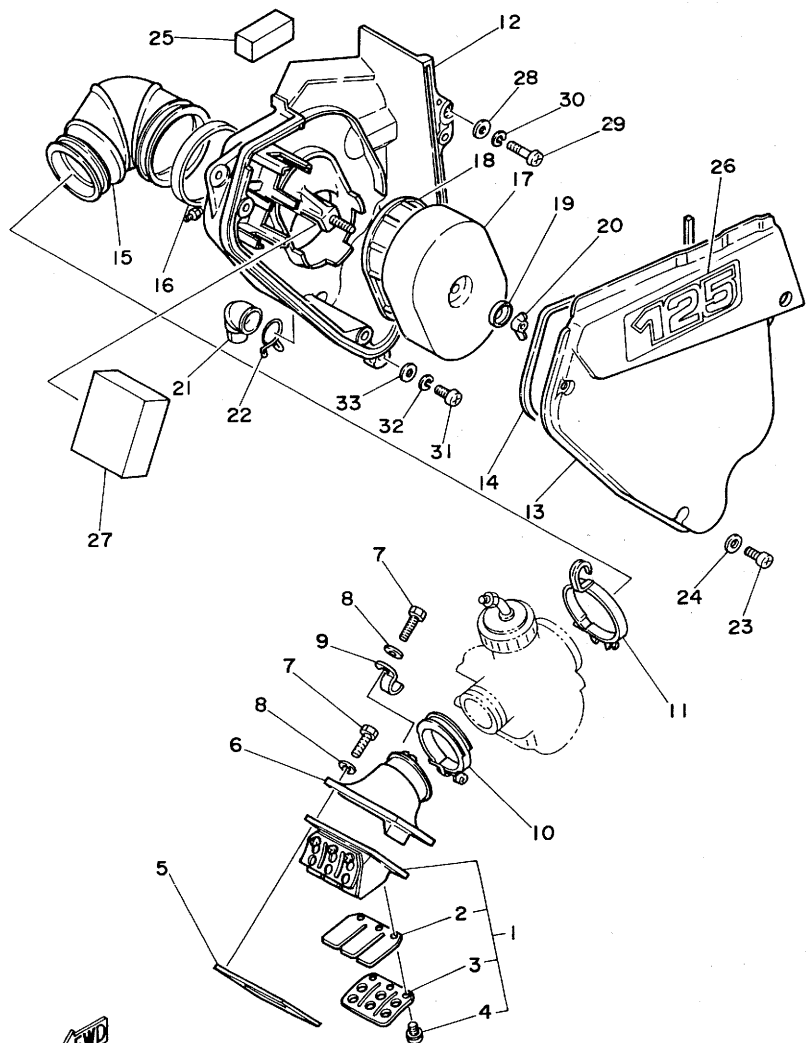


REF. NO.	PART NO.	DESCRIPTION	Q'TY	REMARKS
1	3R3-13610-00	REED VALVE ASSY	1	
2	3R3-13613-00	•REED, valve	2	
3	3R3-13616-00	•STOPPER, reed valve	2	
4	97602-03108	•SCREW, Pan head with washer	6	
5	3R3-13621-00	GASKET, valve seat	1	
6	5X4-13565-01	JOINT, carburetor	1	
7	97301-06020	BOLT	4	
8	92901-06600	WASHER, Plate	4	
9	90462-05005	CLAMP	1	
10	90460-49058	CLAMP, hose	1	
11	90460-64065	CLAMP, hose	1	
12	5X4-14411-00	CASE, air cleaner 1	1	
13	5X4-14412-10-98	CAP, cleaner case 1	1	(low gloss black / white)
14	5X4-14452-00	SEAL	1	
15	5X4-14453-01	JOINT, air cleaner 1	1	
16	90460-75020	CLAMP, hose	1	
17	5X4-W1442-00	ELEMENT, air cleaner	1	
18	5X4-14458-00	GUIDE	1	
19	2X4-14468-00	PLATE, element fitting	1	
20	90175-06012	NUT, wing	1	
21	1W1-14457-01	SEAL	1	
22	90467-20030	CLIP	1	
23	92506-06016	SCREW, Pan head	3	
24	92906-06600	WASHER, Plate	3	
25	5X4-14462-00	SEAL	1	
26	5X4-21737-10	EMBLEM	1	
27	5X4-14457-00	SEAL	1	
28	90201-06052	WASHER, Plate	1	

5X4100-2070

**B9**

FIG. 7 INTAKE

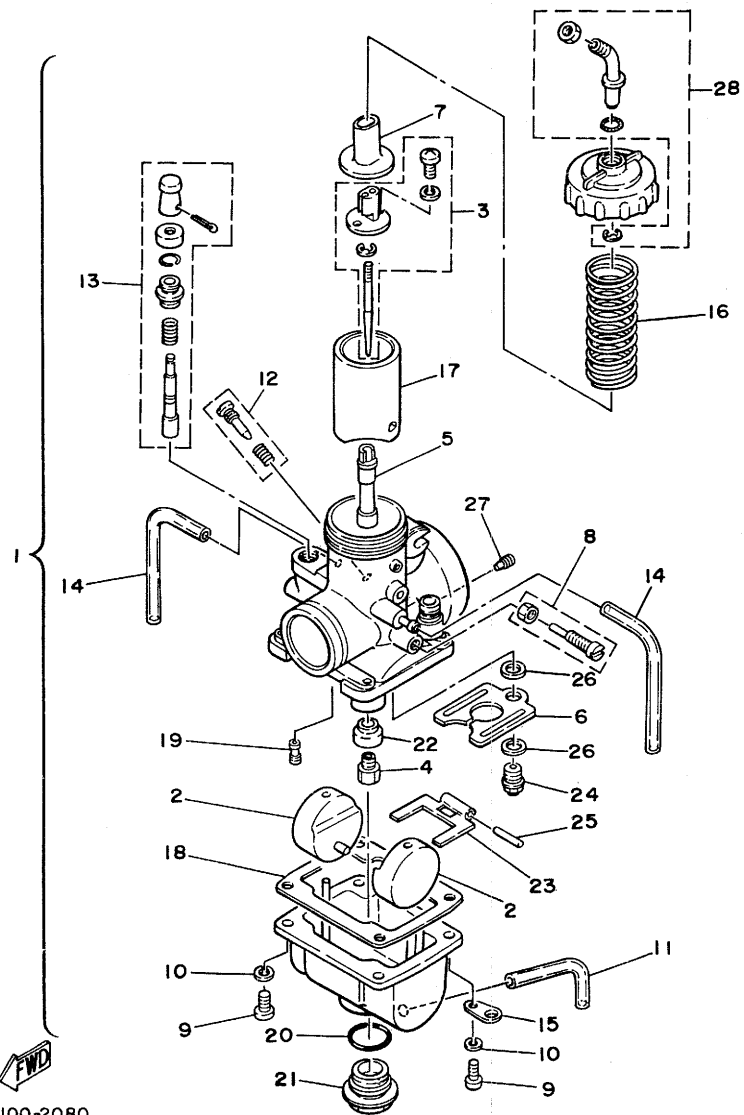


REF. NO.	PART NO.	DESCRIPTION	Q'TY	REMARKS
29	92501-06025	SCREW, Pan head	1	
30	92901-06100	WASHER, sPring	1	
31	92501-06015	SCREW, Pan head	2	
32	92901-06100	WASHER, sPring	2	
33	90201-06052	WASHER, Plate	2	

5X4100-2070

**B10**

FIG. 8 CARBURETOR



REF. NO.	PART NO.	DESCRIPTION	Q'TY	REMARKS
1	5X4-14101-00	CARBURETOR ASSY 1	1	
2	310-14185-00	•FLOAT	2	
3	239-W1418-00	•NEEDLE SET (6F21)	1	
4	137-14143-54	•JET, main (#270)	1	UR STD
	137-14143-52	•JET, main (#260)	1	UR
	137-14143-56	•JET, main (#280)	1	UR
5	239-14141-50	•NOZZLE, main	1	
6	483-14146-00	•PLATE	1	
7	509-14136-00	•SEAT, sPring	1	
8	204-W1411-00	•THROTTLE SCREW SET	1	
9	98501-05016	•SCREW, Pan head	4	
10	92902-05100	•WASHER, sPring	4	
11	493-14196-00	•PIPE	1	
12	152-W1412-00	•AIR SCREW SET	1	
13	737-W1414-00	•STARTER PLUNGER SET	1	
14	310-14197-00	•PIPE	2	
15	313-14146-00	•PLATE	2	
16	363-14131-00	•SPRING, throttle valve	1	
17	3R6-14112-25	•VALVE, throttle 1	1	
18	483-14184-00	•GASKET, float chamber	1	
19	193-14142-80	•JET, Pilot (#80.0)	1	
20	2K6-14147-00	•O-RING	1	
21	2K6-14115-00	•PLUG, screw	1	
22	3R3-14153-00	•WASHER, main Jet	1	
23	310-14187-00	•ARM, float	1	
24	239-14190-33	•NEEDLE VALVE ASSY	1	
25	537-14186-00	•PIN, float	1	
26	239-14195-00	•WASHER, needle valve	2	

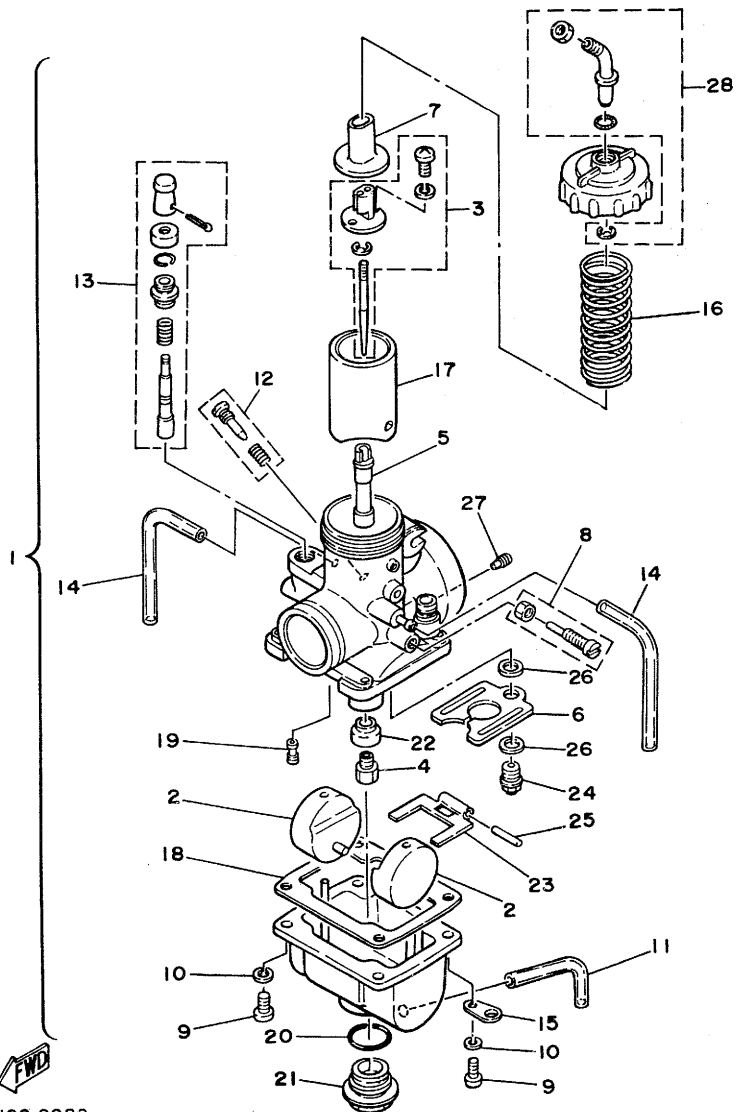
5X4100-2080

**B11**



FIG. 8 CARBURETOR

REF. NO.	PART NO.	DESCRIPTION	Q'TY	REMARKS
27	239-14172-20	•PILOT JET, air	1	
28	3R3-W1415-00	•ADJUSTER SET	1	

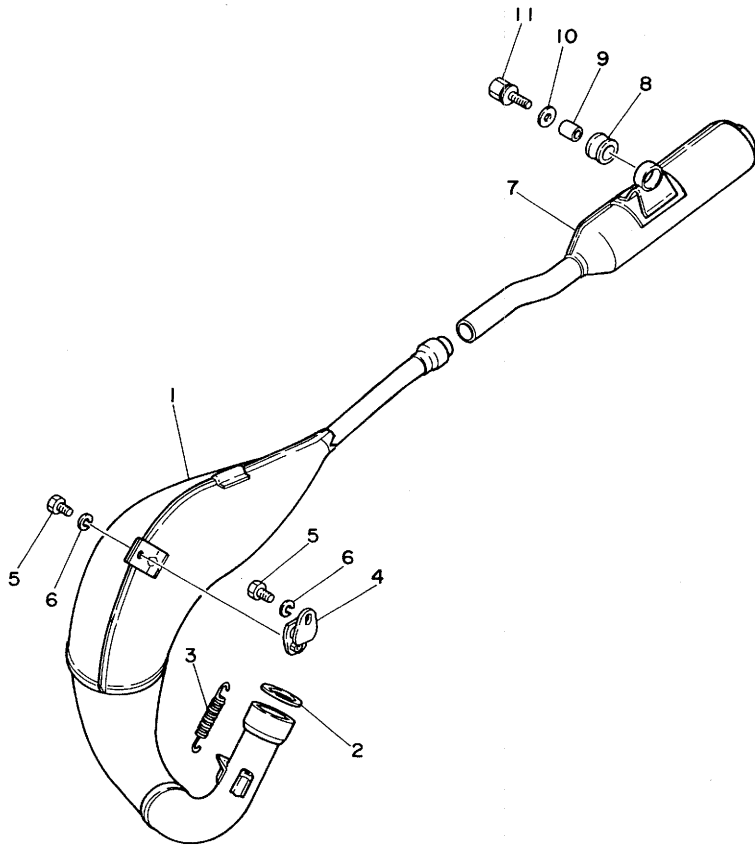


5X4100-2080

**B12**

FIG. 9 EXHAUST

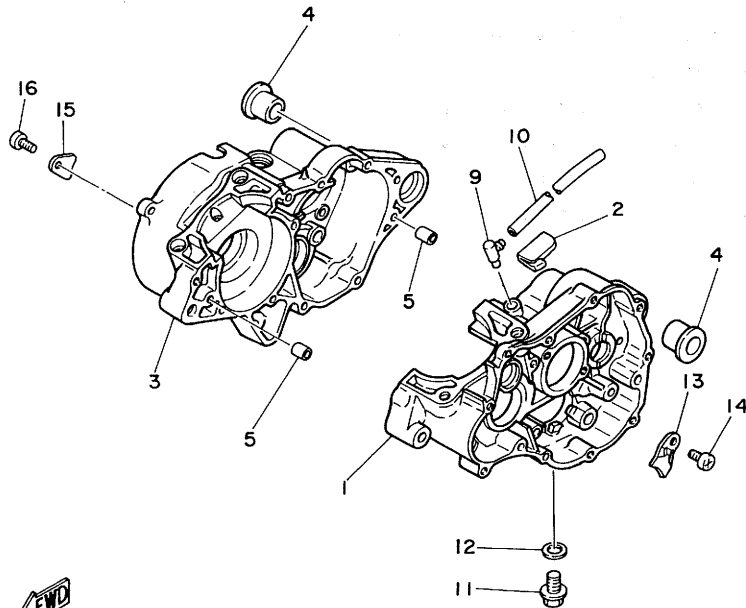
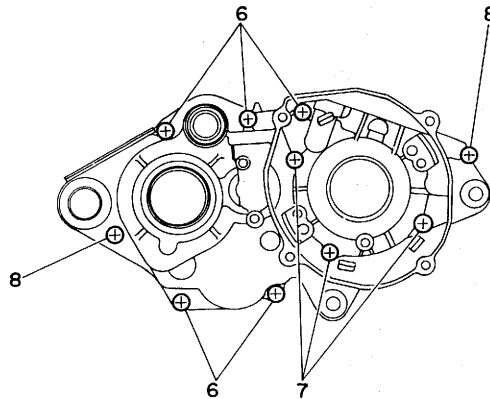
REF. NO.	PART NO.	DESCRIPTION	Q'TY	REMARKS
1	5X4-14610-01	EXHAUST PIPE ASSY 1	1	
2	3R3-14613-00	GASKET, exhaust Pipe	1	
3	90507-20030	SPRING, tension	2	
4	565-14771-00	STAY, muffler 1	1	
5	97301-06016	BOLT	2	
6	92901-06100	WASHER, sPring	2	
7	5X4-14753-00	SILENCER, exhaust	1	
8	90480-22269	GROMMET	1	
9	90387-081A3	COLLAR	1	
10	90201-08114	WASHER, Plate	1	
11	90109-08512	BOLT	1	



5X4100-2090

**B13**

FIG. 10 CRANKCASE



REF. NO.	PART NO.	DESCRIPTION	Q'TY	REMARKS
1	5X4-15111-00	CRANKCASE 1	1	
2	5X4-15379-01	SEAL, crankcase	1	
3	5X4-15121-00	CRANKCASE 2	1	
4	90387-16781	COLLAR	2	
5	91830-21014	PIN, dowel	2	
6	91316-06035	BOLT	5	
7	91316-06040	BOLT	3	
8	91316-06050	BOLT	2	
9	2N4-15371-00	BREATHER	1	
10	90445-07340	HOSE	1	
11	90340-12059	PLUG, straight screw	1	
12	90430-12038	GASKET	1	
13	3R3-15128-01	HOLDER	1	
14	92501-08010	SCREW, Pan head	1	
15	4V4-15118-00	HOLDER	1	
16	92501-06010	SCREW, Pan head	1	

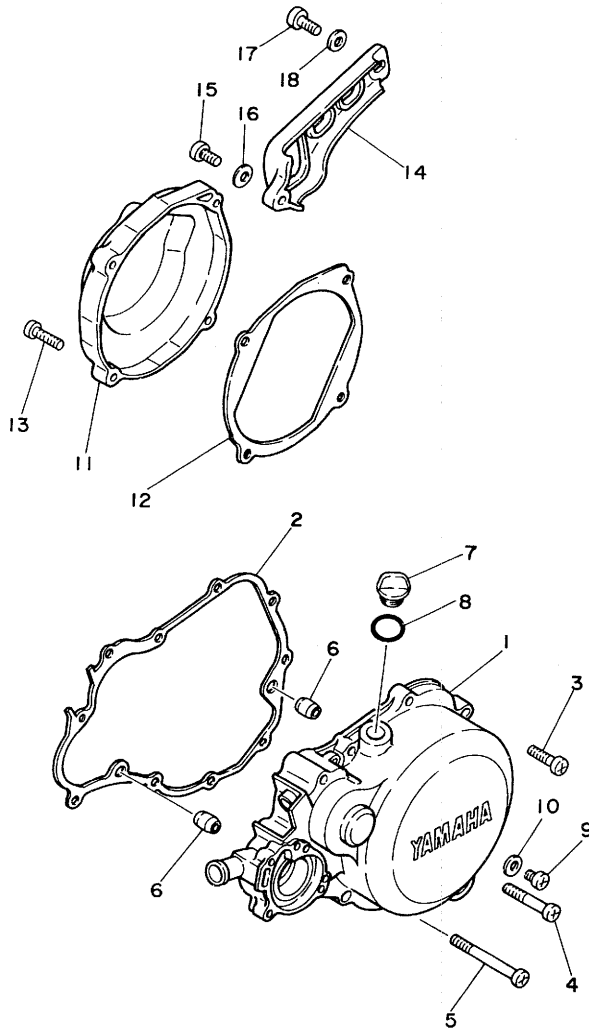


5X4100-2100

**B14**

FIG. 11 CRANKCASE COVER

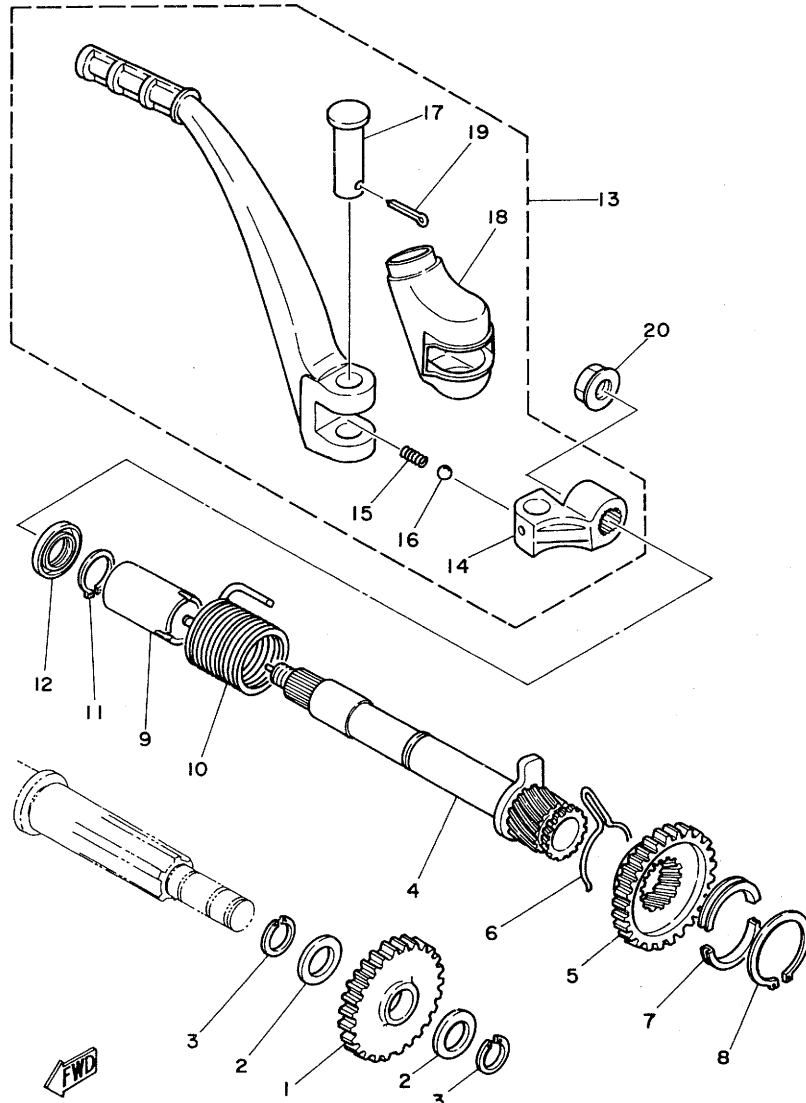
REF. NO.	PART NO.	DESCRIPTION	Q'TY	REMARKS
1	5X4-15411-00	COVER, crankcase 1	1	
2	5X4-15451-00	GASKET, crankcase cover	1	
3	92506-06025	SCREW, Pan head	8	
4	92506-06040	SCREW, Pan head	1	
5	92506-06065	SCREW, Pan head	1	
6	91830-21014	PIN, dowel	2	
7	1G8-15362-00	PLUG, oil level	1	
8	93210-14104	O-RING	1	
9	92506-06008	SCREW, Pan head	1	
10	90430-06016	GASKET	1	
11	5X4-15421-00	COVER, crankcase 2	1	
12	5X4-15455-00	GASKET 1	1	
13	92506-06025	SCREW, Pan head	4	
14	3R3-15431-00	COVER, crankcase 3	1	
15	92501-06015	SCREW, Pan head	1	
16	90201-06067	WASHER, Plate	1	
17	92501-06020	SCREW, Pan head	1	
18	92901-06200	WASHER, Plain	1	



5X4100-2110

**B15**

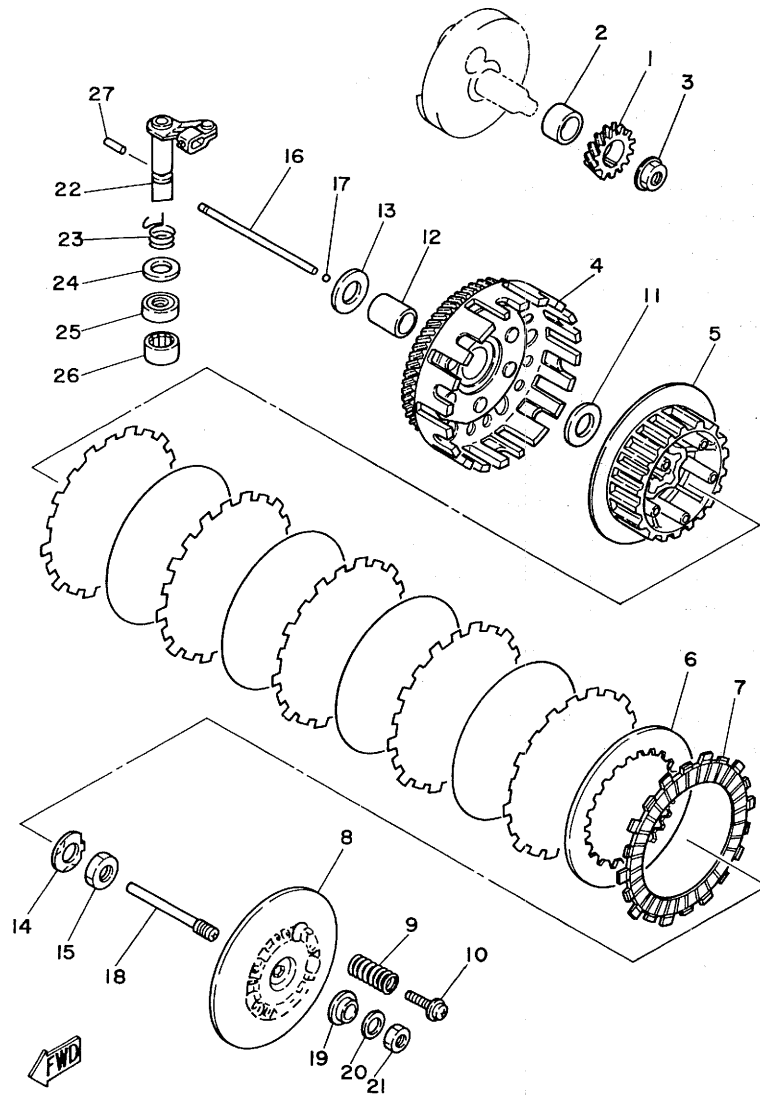
FIG. 12 KICK STARTER



REF. NO.	PART NO.	DESCRIPTION	Q'TY	REMARKS
1	3R3-15651-01	GEAR, sPcket idle (25T)	1	
2	137-17417-00-05	SHIM (0.5T)	2	
3	93440-15012	CIRCLIP	2	
4	5X4-15660-00	KICK AXLE ASSY	1	
5	3R3-15641-00	GEAR, kick (25T)	1	
6	90468-26048	CLIP	1	
7	248-15654-00	HOLDER, kick gear	2	
8	93410-30012	CIRCLIP	1	
9	3R3-15666-00	SPACER	1	
10	90508-26427	SPRING, torsion	1	
11	93410-17037	CIRCLIP	1	
12	93101-17062	OIL SEAL	1	
13	5X4-15620-00	KICK CRANK ASSY	1	
14	3R3-15621-01	•BOSS, kick crank	1	
15	90501-12081	•SPRING, compression	1	
16	93507-32009	•BALL	1	
17	90240-12090	•PIN, clevis	1	
18	5X4-15618-00	•COVER, kick lever	1	
19	91401-40020	•PIN, cotter	1	
20	90179-10272	NUT	1	

FWD  
5X4100-2120

FIG. 13 CLUTCH

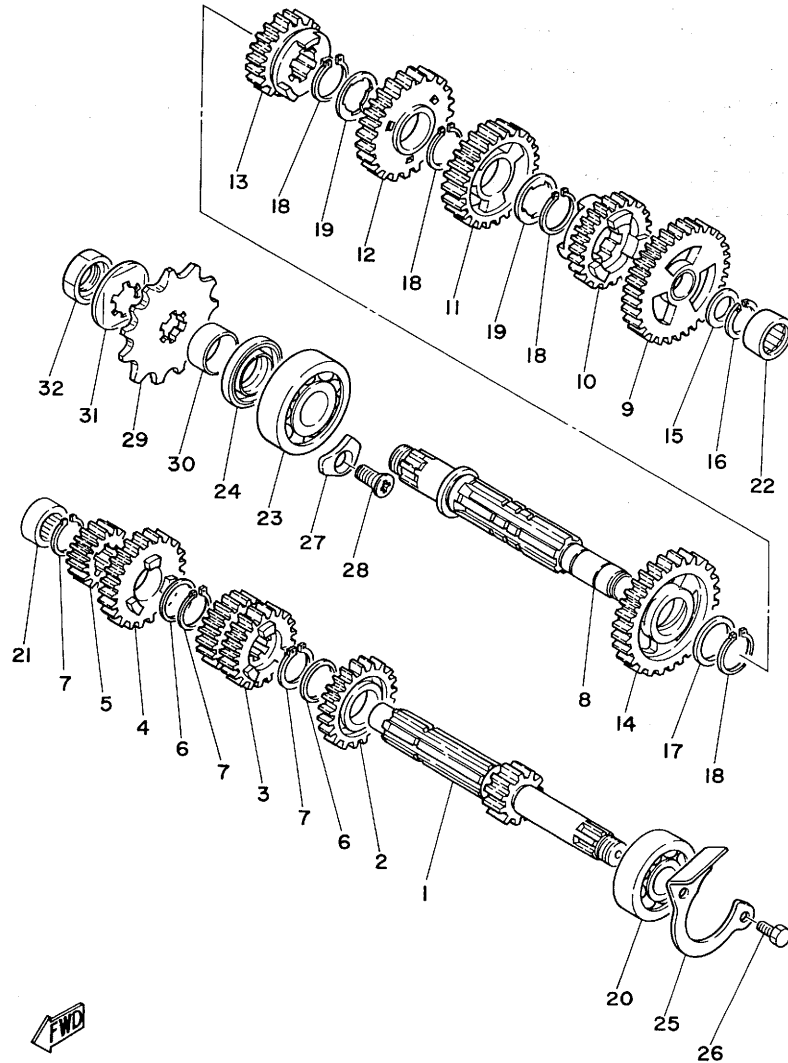


REF. NO.	PART NO.	DESCRIPTION	Q'TY	REMARKS
1	5X4-16111-00	GEAR, Primary drive	1	
2	90387-202F0	COLLAR	1	
3	90179-12373	NUT	1	
4	5X4-16150-00	PRIMARY DRIVEN GEAR COMP.	1	
5	5X4-16371-00	BOSS, clutch	1	
6	5X4-16324-00	PLATE, clutch 1	5	
7	5X4-16321-00	PLATE, friction	6	
8	1W1-16351-00	PLATE, Pressure 1	1	
9	90501-20361	SPRING, comPression	5	
10	90159-05011	SCREW, with washer	5	
11	90201-174E1	WASHER, Plate	1	
12	90560-17214	SPACER	1	
13	90201-174E1	WASHER, Plate	1	
14	90215-14144	WASHER, lock	1	
15	90170-14171	NUT	1	
16	353-16357-00	ROD, Push 2	1	
17	93503-16010	BALL	1	
18	1W1-16356-01	ROD, Push 1	1	
19	1W1-16358-00	PLATE, Push	1	
20	92901-06200	WASHER, Plain	1	
21	95301-06600	NUT	1	
22	3R3-16380-02	PUSH LEVER ASSY	1	
23	90508-14426	SPRING, torsion	1	
24	90201-14217	WASHER, Plate	1	
25	93104-14004	OIL SEAL	1	
26	93315-21429	BEARING, cylindrical	1	
27	93604-16092	PIN, dowel	1	

5X4100-2130

C3

FIG. 14 TRANSMISSION

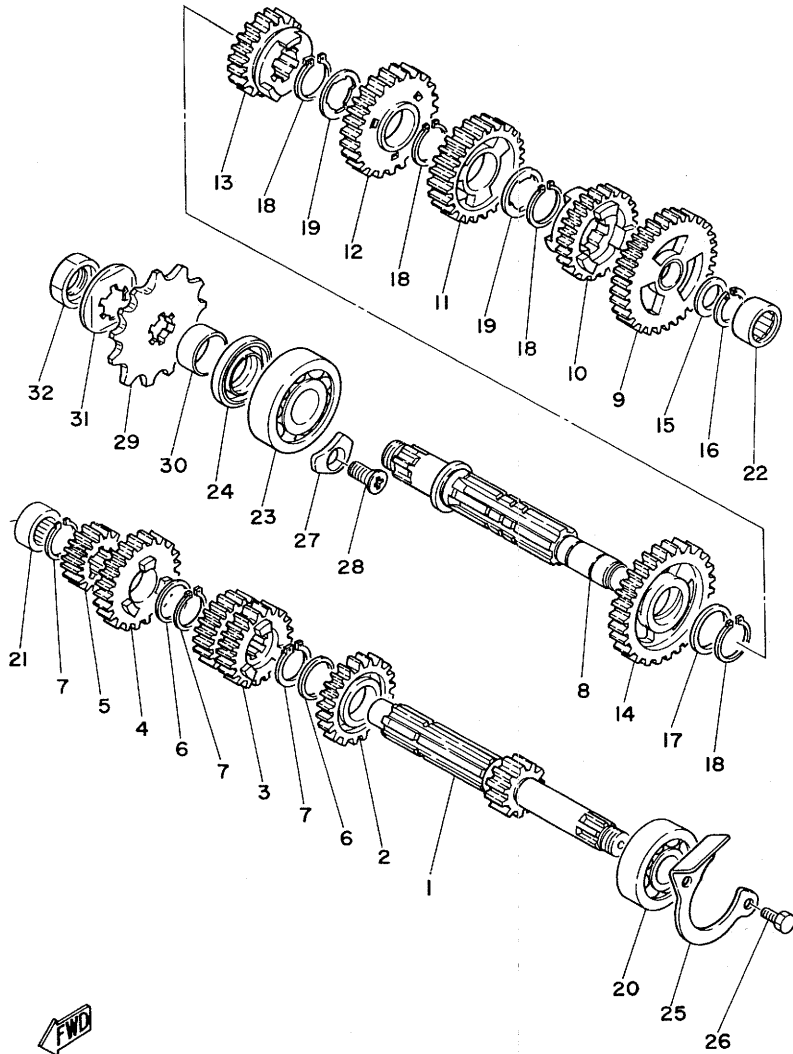


REF. NO.	PART NO.	DESCRIPTION	Q'TY	REMARKS
1	5X4-17411-00	AXLE, main (14T)	1	
2	5X4-17151-01	GEAR, 5th Pinion (19T)	1	
3	5X4-17131-02	GEAR, 3rd/4th Pinion (16T,20T)	1	
4	5X4-17161-01	GEAR, 6th Pinion (20T)	1	
5	5X4-17121-01	GEAR, 2nd Pinion (14T)	1	
6	90201-20266	WASHER, Plate	2	
7	93410-20038	CIRCLIP	3	
8	5X4-17421-00	AXLE, drive	1	
9	5X4-17211-01	GEAR, 1st wheel (32T)	1	
10	5X4-17251-01	GEAR, 5th wheel (21T)	1	
11	5X4-17241-02	GEAR, 4th wheel (25T)	1	
12	5X4-17231-01	GEAR, 3rd wheel (24T)	1	
13	5X4-17261-01	GEAR, 6th wheel (20T)	1	
14	5X4-17221-01	GEAR, 2nd wheel (26T)	1	
15	90201-15701	WASHER, Plate (1.0T)	1	
16	93440-15012	CIRCLIP	1	
17	90201-22555	WASHER, Plate	1	
18	93410-22039	CIRCLIP	4	
19	90209-18135	WASHER	2	
20	93306-30303	BEARING (B6303Z)	1	
21	93311-41530	BEARING, cylindrical	1	
22	93311-31515	BEARING, cylindrical	1	
23	93306-30411	BEARING (B6304)	1	
24	93102-26042	OIL SEAL	1	
25	3R3-17471-00	PLATE, cover	1	
26	97321-06012	BOLT	2	
27	2K7-15383-00	PLATE, bearing cover	1	
28	92701-06012	SCREW, flat head	1	

FWD  
5X4100-2140

C4

FIG. 14 TRANSMISSION



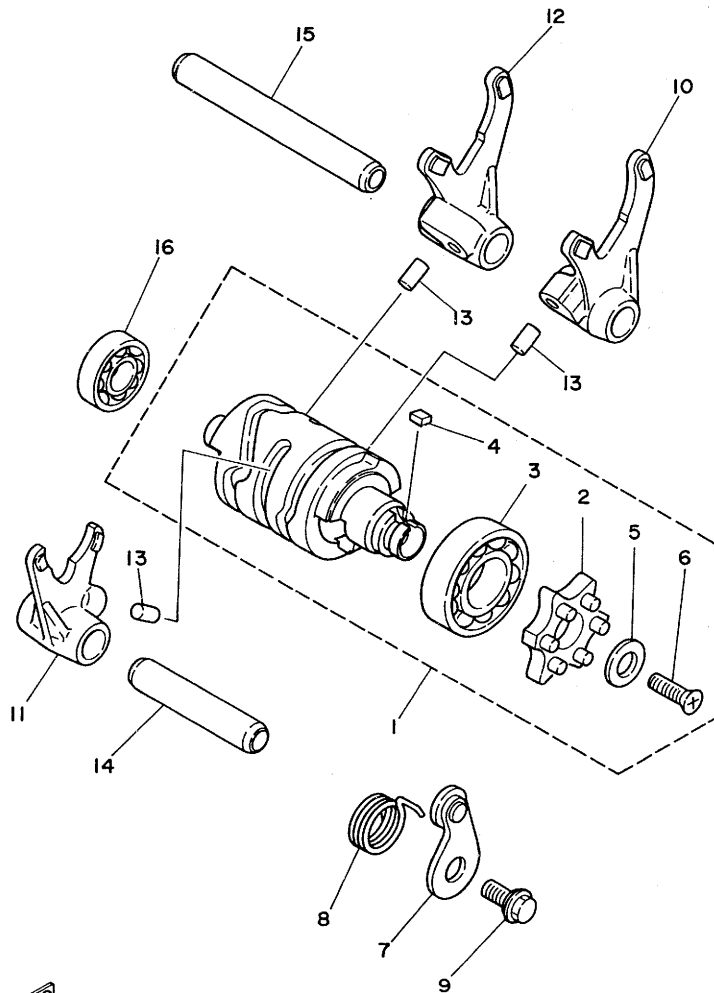
REF. NO.	PART NO.	DESCRIPTION	Q'TY	REMARKS
29	1W1-17461-2Q	SPROCKET, drive (12T)	1	UR STD
	1G8-17461-10	SPROCKET, drive (11T)	1	AP
	1G8-17461-30	SPROCKET, drive (13T)	1	AP
30	90387-202A0	COLLAR	1	
31	90215-16127	WASHER, lock	1	
32	90179-16226	NUT	1	

**FWD**  
5X4100-2140

**C5**



FIG. 15 SHIFT CAM•FORK



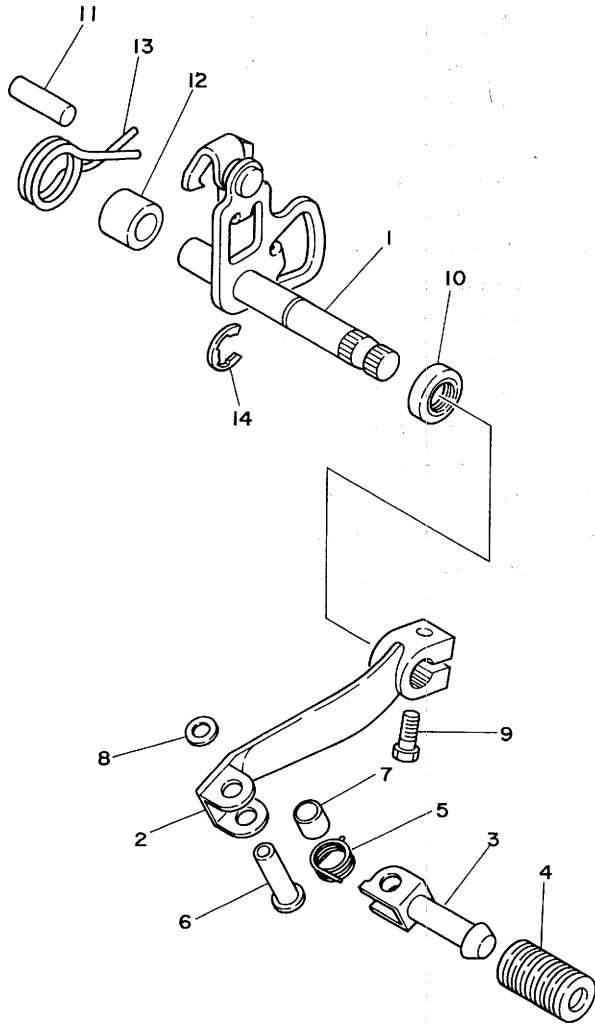
REF. NO.	PART NO.	DESCRIPTION	Q'TY	REMARKS
1	5X4-18540-00	SHIFT CAM ASSY	1	
2	3R4-18185-00	•SEGMENT	1	
3	93306-00422	•BEARING	1	
4	90282-04036	•KEY, straight	1	
5	3R4-18561-00	•PLATE, side 1	1	
6	98701-05016	•SCREW, flat head	1	
7	3R3-18140-00	STOPPER LEVER ASSY	1	
8	90508-26515	SPRING, torsion	1	
9	1W1-18177-00	BOLT, stopPer	1	
10	5X4-18511-00	FORK, shift 1	1	
11	5X4-18512-00	FORK, shift 2	1	
12	5X4-18513-00	FORK, shift 3	1	
13	90250-06013	PIN, straight	3	
14	3R4-18531-00	BAR, shift fork Guide 1	1	
15	3R4-18535-00	BAR, shift fork Guide 2	1	
16	93306-00106	BEARING	1	



5X4100-2150

C6

FIG. 16 SHIFT SHAFT•PEDAL



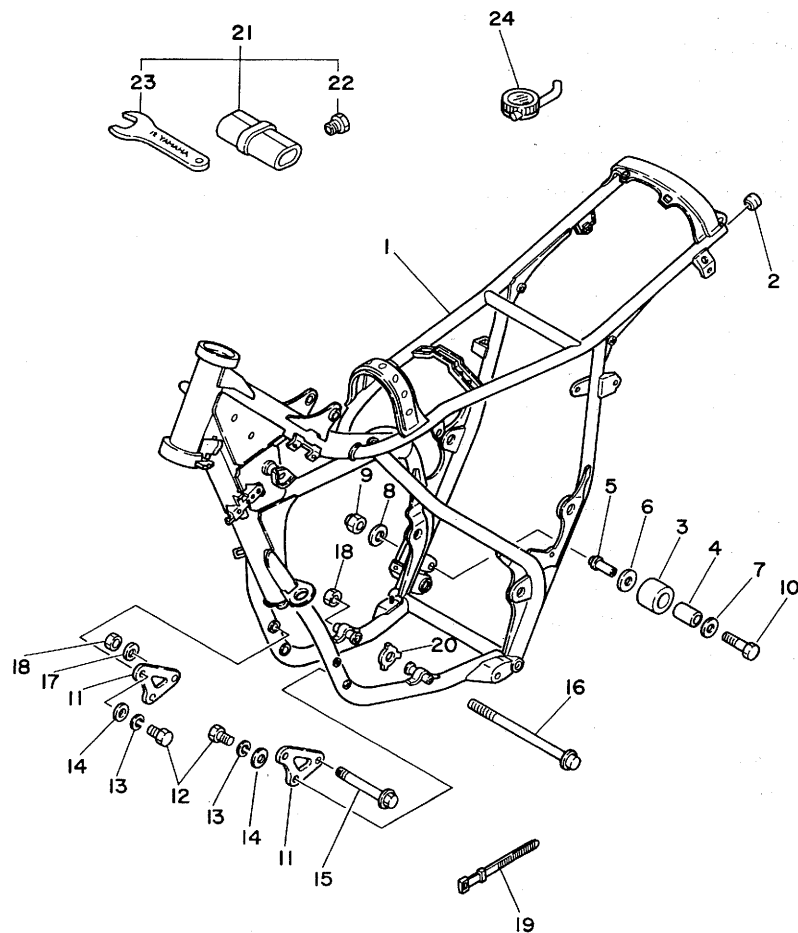
REF. NO.	PART NO.	DESCRIPTION	Q'TY	REMARKS
1	5X4-18101-00	SHIFT SHAFT ASSY	1	
2	5X4-18111-00	PEDAL, shift	1	
3	5X4-18162-00	PEDAL, shift	1	
4	1W6-18113-00	COVER, shift Pedal	1	
5	90508-14516 16558	SPRING, torsion	1	
6	90243-08020	PIN	1	
7	90446-11180	HOSE	1	
8	90201-06042	WASHER, Plate	1	
9	97321-06020	BOLT	1	
10	93109-12012	OIL SEAL	1	
11	93608-25150	PIN, dowel	1	
12	90560-11189	SPACER	1	
13	90508-29361	SPRING, torsion	1	
14	93430-10016	CIRCLIP	1	



5X4100-1160

C7

FIG. 17 FRAME. TOOL

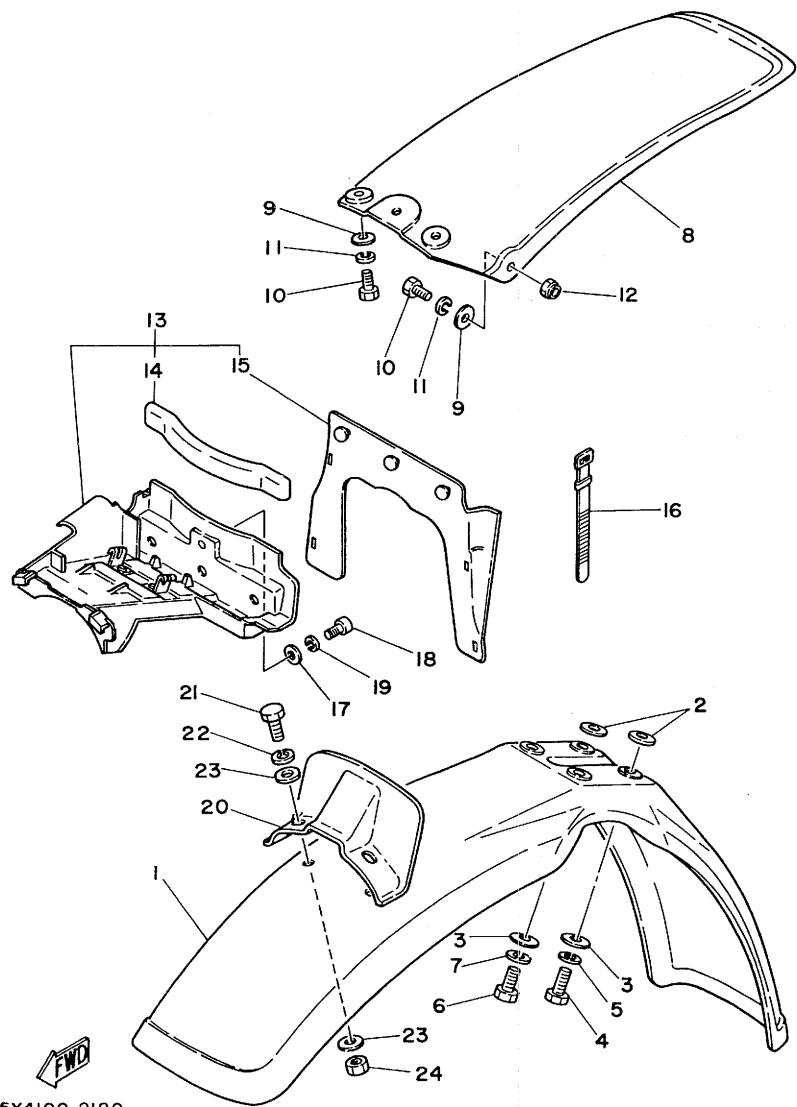


REF. NO.	PART NO.	DESCRIPTION	Q'TY	REMARKS
1	5X4-21110-00-33	FRAME COMP	1	yamaha black
2	90339-13005	PLUG	2	
3	5X6-22178-00	TENSIONER	1	
4	4V4-22184-00	BUSH	1	
5	3R3-2148A-00	SHAFT	1	
6	90201-13202	WASHER, Plate	1	
7	90201-08113	WASHER, Plate	1	
8	90201-08638	WASHER, Plate	1	
9	95602-08100	NUT, u	1	
10	97302-08050	BOLT	1	
11	5X4-21419-01	BRACKET, engine 2	2	
12	97321-08020	BOLT	4	
13	92901-08100	WASHER, spring	4	
14	92901-08600	WASHER, Plate	4	
15	95811-08095	BOLT, flange	1	
16	95811-08190	BOLT, flange	1	
17	92901-08200	WASHER, Plain	1	
18	90185-08089	NUT, self-locking	2	
19	7F6-82591-00	BAND	1	
20	90214-09019	WASHER, claw	1	
21	5X5-28100-10	TOOL KIT	1	
22	2K7-85555-00	.PULLER, rotor	1	
23	1W1-28135-10	.SPANNER, special	1	
24	2X4-2811A-00	GAUGE, air	1	



5X4100-2170

FIG. 18 FRONT FENDER•REAR FENDER



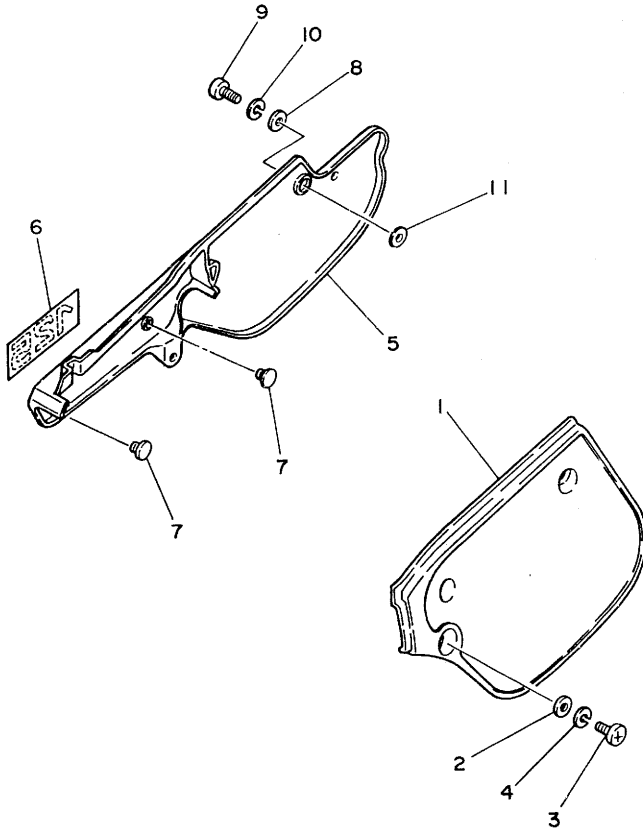
5X4100-2180

C9

REF. NO.	PART NO.	DESCRIPTION	Q'TY	REMARKS
1	5X6-21511-10	FENDER, front	1	white
2	90201-06557	WASHER, Plate	4	
3	90209-06187	WASHER	4	
4	97302-06035	BOLT	2	
5	92902-06100	WASHER, sPrinG	2	
6	97302-06020	BOLT	2	
7	92902-06100	WASHER, sPrinG	2	
8	3R3-21611-11	FENDER, rear	1	white
9	90201-06571	WASHER, Plate	4	
10	97301-06016	BOLT	4	
11	92902-06100	WASHER, sPrinG	4	
12	95601-06100	NUT, u	2	
13	5X4-21620-00	MUD GUARD COMP.	1	
14	565-21746-00	•SEAL, mud Guard	1	
15	5X4-21642-00	•GUARD, flaP	1	
16	437-83936-00	BAND, switch cord	4	
17	90201-06571	WASHER, Plate	1	
18	92501-06015	SCREW, Pan head	1	
19	92901-06100	WASHER, sPrinG	1	
20	4V2-21543-00	PLATE 1	1	
21	97301-06020	BOLT	2	
22	92901-06100	WASHER, sPrinG	2	
23	90201-06052	WASHER, Plate	4	
24	95601-06100	NUT, u	2	

FIG. 19 SIDE COVER

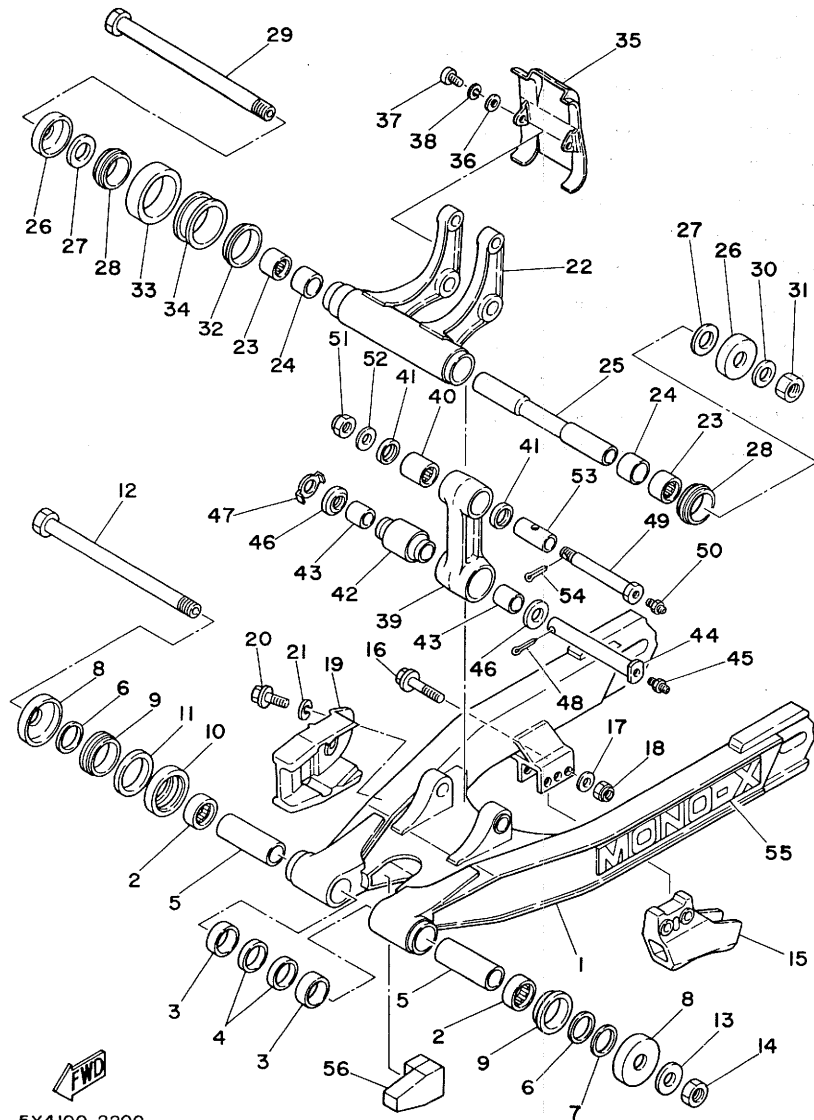
REF. NO.	PART NO.	DESCRIPTION	Q'TY	REMARKS
1	5X4-21711-10-98	COVER, side 1	1	low gloss black /white
2	90201-06571	WASHER, Plate	2	
3	92501-06015	SCREW, Pan head	2	
4	92901-06100	WASHER, sPring	2	
5	5X4-21721-10-98	COVER, side 2	1	low gloss black /white
6	5X4-21737-10	EMBLEM	1	
7	431-24181-00	DAMPER, locating 1	<del>3</del> 4	
8	90201-06571	WASHER, Plate	2	
9	92501-06015	SCREW, Pan head	2	
10	92901-06100	WASHER, sPring	2	
11	92901-08200	WASHER, Plain	1	



5X4300-2190

**C10**

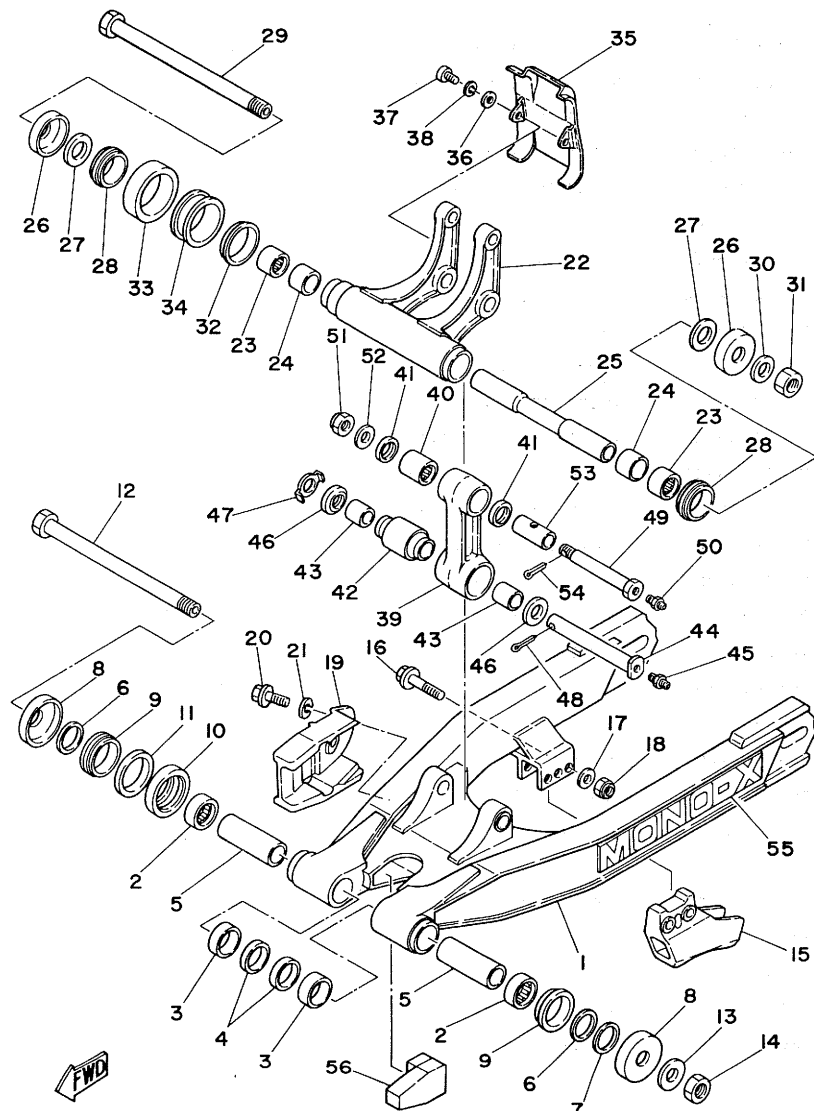
FIG. 20 REAR ARM



5X4100-2200

REF. NO.	PART NO.	DESCRIPTION	Q'TY	REMARKS
1	5X4-22110-00-35	REAR ARM COMP.	1	silver
2	93317-22208	BEARING, cylindrical	2	
3	90386-22097	BUSH	2	
4	93109-22018	OIL SEAL	2	
5	90380-16077	BUSH, solid	2	
6	90201-22680	WASHER, Plate	2	
7	156-22127-00	SHIM (0.3T)	1	UN
8	2K6-22128-01	COVER, thrust 1	2	
9	93108-35004	OIL SEAL	2	
10	5X6-22151-10	SEAL, Guard	1	
11	90387-440G3	COLLAR	1	
12	5X4-22141-00	SHAFT, Pivot	1	
13	90201-160F6	WASHER, Plate	1	
14	90170-16111	NUT	1	
15	5X4-22199-00	SUPPORT, chain	1	
16	95802-08045	BOLT, flange	2	
17	92902-08600	WASHER, Plate	2	
18	95602-08100	NUT, u	2	
19	5X6-22147-00	PROTECTOR, chain	1	
20	95801-06020	BOLT, flange	2	
21	90201-06067	WASHER, Plate	2	
22	5X4-2217A-00	ARM, relay	1	
23	93317-22208	BEARING, cylindrical	2	
24	90386-22097	BUSH	2	
25	90387-163F6	COLLAR	1	
26	2K6-22128-01	COVER, thrust 1	2	
27	90201-22680	WASHER, Plate	2	
28	93108-35004	OIL SEAL	2	

C11



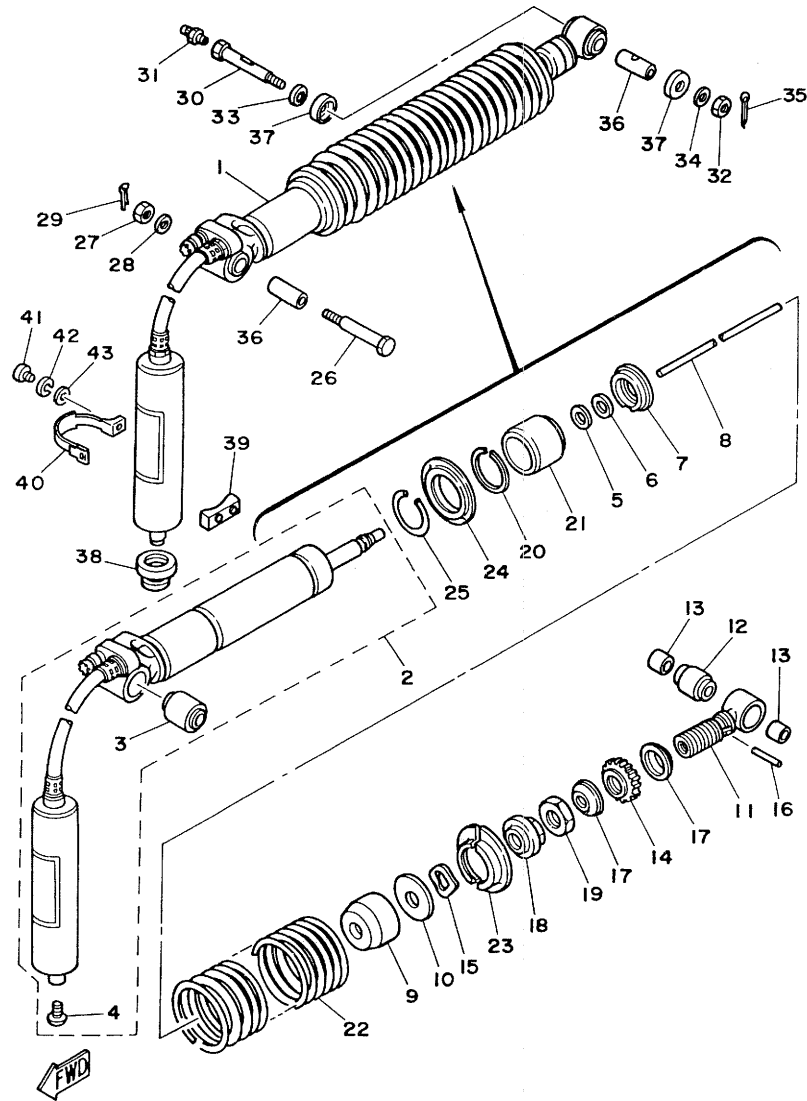
5X4100-2200

**C12**

FIG. 20 REAR ARM

REF. NO.	PART NO.	DESCRIPTION	Q'TY	REMARKS
29	5X4-22141-00	SHAFT, Pivot	1	
30	90201-160F6	WASHER, Plate	1	
31	90170-16111	NUT	1	
32	5X6-22159-00	WASHER, sPring lower	1	
33	5X6-22151-00	SEAL, Guard	1	
34	5X6-22152-00	SEAL, Guard	1	
35	5X4-21652-00	PROTECTOR	1	
36	<del>92901-05200</del>	WASHER, Plain	2	<del>DISUSED</del>
37	98501-05018	SCREW, Pan head	2	
38	<del>92901-05100</del>	WASHER, sPring	2	<del>DISUSED</del>
39	5X4-2217F-00	ROD, connecting 1	1	
40	93317-22023	BEARING, cylindrical	1	
41	93109-20029	OIL SEAL	2	
42	5X6-22123-00	BUSH 1	1	
43	90384-16156	BUSH, bimetal formed	2	
44	90249-16153	PIN	1	
45	93700-06004	NIPPLE, Grease	1	
46	5X6-2217H-00	COVER, dust	2	
47	90215-16198	WASHER, lock	1	
48	91401-40030	PIN, cotter	1	
49	90109-12646	BOLT	1	
50	93700-06004	NIPPLE, Grease	1	
51	90185-12061	NUT, self-locking	1	
52	90201-120E6	WASHER, Plate	1	
53	90380-14095	BUSH, solid	1	
54	91401-25020	PIN, cotter	1	
55	5X6-2218A-00	EMBLEM, rear arm	2	for canada
56	5X4-2214F-00	DAMPER 1	2	

FIG. 21 REAR SUSPENSION

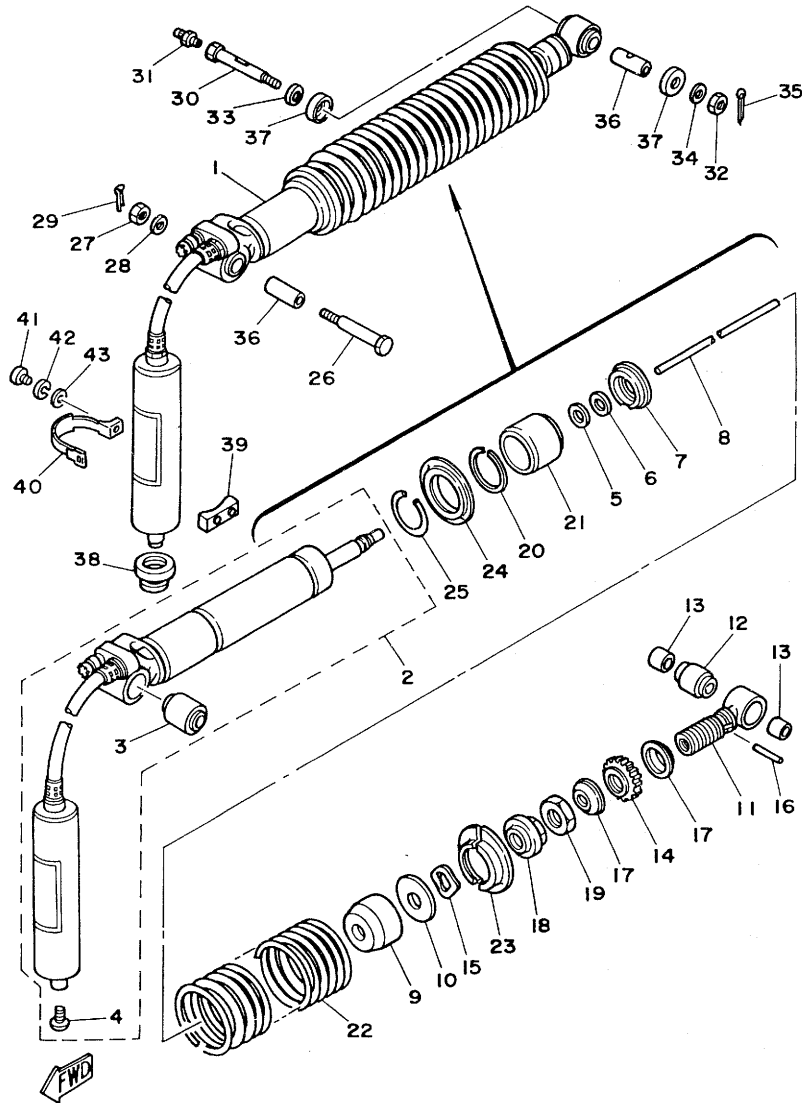


5X4100-2210

REF. NO.	PART NO.	DESCRIPTION	Q'TY	REMARKS
1	5X4-22210-10	SHOCK ABSORBER ASSY, rear	1	
2	5X4-22401-10	•DUMPER SUB ASSY	1	
3	5X6-22216-00	••BUSH, rear shock absorber	1	
4	98501-04005	••SCREW, Pan head	1	
5	5X6-22475-00	•SEAL, dust	1	
6	5X6-22473-00	•HOUSING, seal ring	1	
7	5X6-22472-00	•CAP, case	1	
8	5X6-22489-00	•ROD, Push	1	
9	5X6-22493-00	•BUMP, stop	1	
10	5X6-22228-00	•SUPPORT, bump stop	1	
11	5X6-22409-00	•UPPER BRACKET SUB ASSY	1	
12	5X6-22226-00	•BUSH, shock absorber lower	1	
13	90384-18157	•BUSH, bimetal formed	2	
14	5X6-22497-00	•NUT, adjusting	1	
15	90206-18072	•WASHER, wave	1	
16	93604-30173	•PIN, dowel	1	
17	4V4-22221-70	•COVER	2	
18	5X6-22213-00	•SEAT, sPring upper	1	
19	90170-25294	•NUT	1	
20	93440-52106	•CIRCLIP	1	
21	5X6-22224-00	•GUIDE, sPring 2	1	
22	5X4-22212-10	•SPRING (K=2.75)	1	white/Pink
23	5X6-22214-00	•GUIDE, sPring 1	2	
24	5X6-22223-00	•SEAT, sPring lower	1	
25	93440-51103	•CIRCLIP	1	
26	90109-10550	BOLT	1	
27	95302-10700	NUT	1	
28	90201 10430 92902-10600	WASHER, Plate	1	



FIG. 21 REAR SUSPENSION

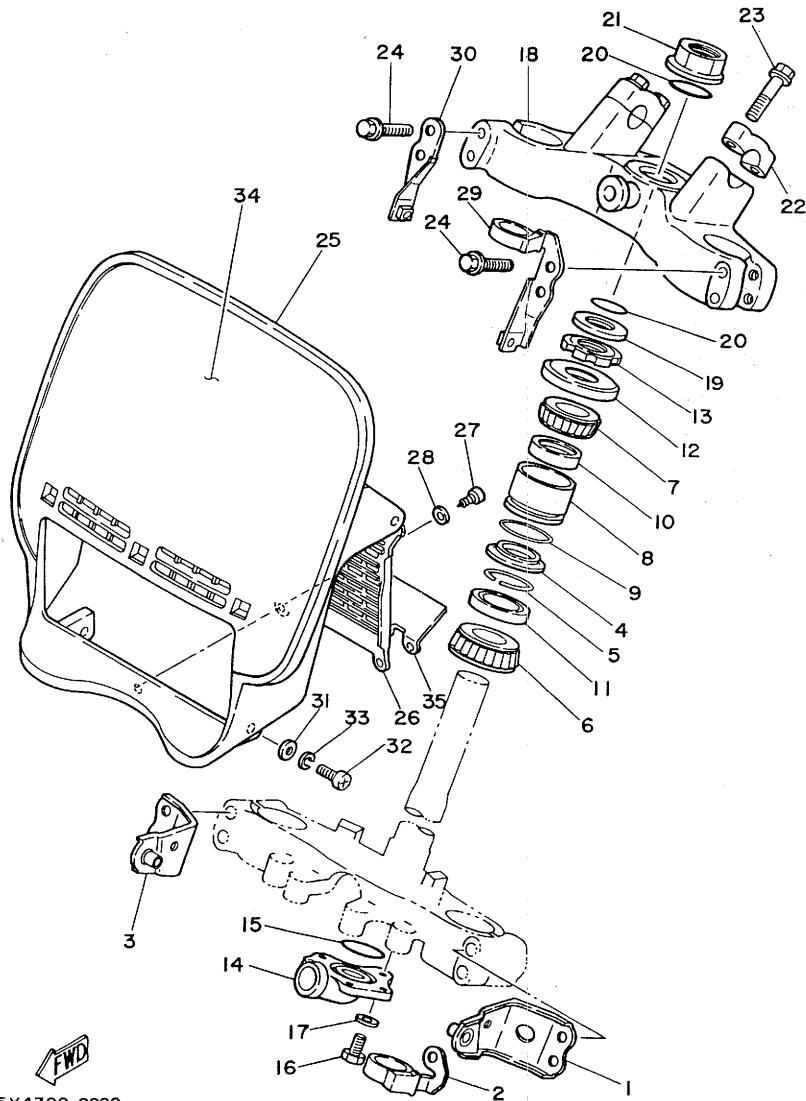


5X4100-2210

**C14**

REF. NO.	PART NO.	DESCRIPTION	Q'TY	REMARKS
29	91401-20025	PIN, cotter	1	
30	90109-10645	BOLT	1	
31	93700-06004	NIPPLE, grease	1	
32	90185-10110	NUT, self-locking	1	
33	90201-120E6	WASHER, Plate	1	
34	90201-100E9	WASHER, Plate	1	
35	91401-25020	PIN, cotter	1	
36	90380-12094	BUSH, solid	2	
37	5X6-22129-00	COVER, thrust 2	2	
38	90480-22263	GROMMET	1	
39	5X4-22261-00	DAMPER, sub tank	1	
40	5X4-22262-00	HOLDER, sub tank	1	
41	92502-06016	SCREW, Pan head	1	
42	92902-06100	WASHER, spring	1	
43	92902-06600	WASHER	1	

FIG. 22 STEERING

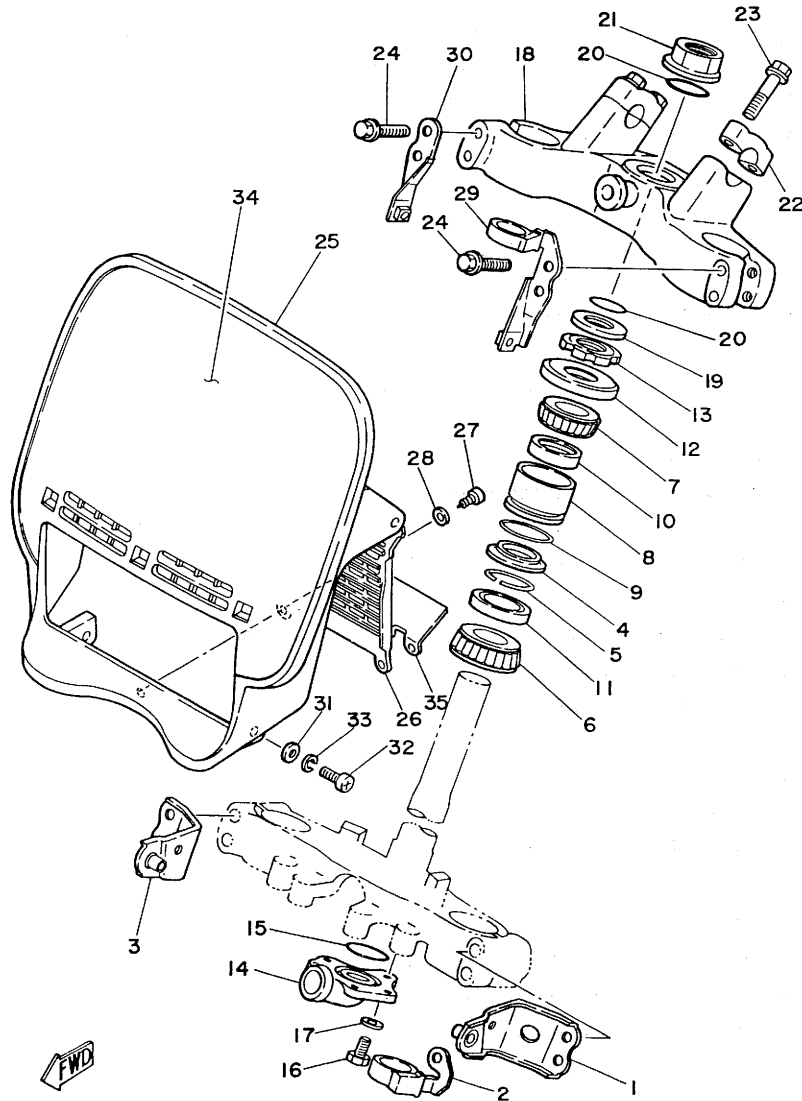


REF. NO.	PART NO.	DESCRIPTION	Q'TY	REMARKS
1	5X4-2317E-00	STAY	1	
2	5X4-23389-00	GUIDE, cable	1	
3	5X4-2317F-00	STAY 2	1	
4	5X4-23462-00	SEAL, steering	1	
5	93440-28099	CIRCLIP	1	
6	93332-00008	BEARING	1	
7	93332-00023	BEARING	1	
8	5X4-23499-00	CYLINDER	1	
9	93210-35520	O-RING	1	
10	93102-28234	OIL SEAL	1	
11	93107-30009	OIL SEAL	1	
12	1W1-23416-00	COVER, ball race 2	1	
13	90179-25033	NUT	1	
14	4V2-23491-00	JOINT	1	
15	93210-37160	O-RING	1	
16	97301-06016	BOLT	3	
17	92901-06600	WASHER, Plate	3	
18	4V2-23435-00-98	CROWN, handle	1	low gloss black
19	90201-237E8	WASHER, Plate	1	
20	93210-23505	O-RING	2	
21	90179-22330	NUT	1	
22	1E6-23441-00-98	HOLDER, handle upper	2	low gloss black
23	95821-08035	BOLT, flange	4	
24	95821-08040	BOLT, flange	4	
25	5X4-23485-10	PLATE, number	1	white
26	5X4-23472-01	PROTECTOR	1	
27	97702-50514	SCREW, tapping	3	
28	92902-05200	WASHER	3	

5X4300-2220

**C15**

FIG. 22 STEERING

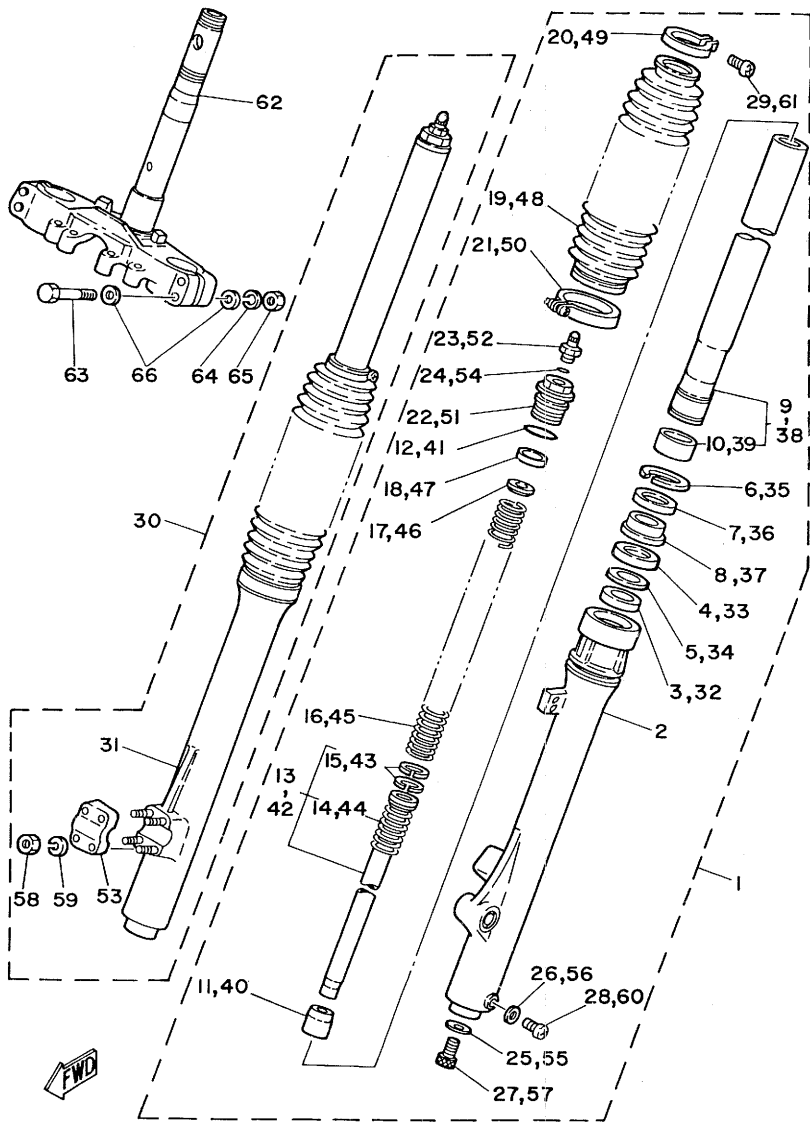


REF. NO.	PART NO.	DESCRIPTION	Q'TY	REMARKS
29	5X4-23317-00	HOLDER, cable	1	
30	5X4-23487-00	STAY, Plate	1	
31	90201-06571	WASHER, Plate	4	
32	92501-06015	SCREW, Pan head	4	
33	92901-06100	WASHER, sPring	4	
34	5X4-23395-10	EMBLEM	1	
35	5X4-23774-00	PLATE	1	

5X4300-2220

D2

FIG. 23 FRONT FORK

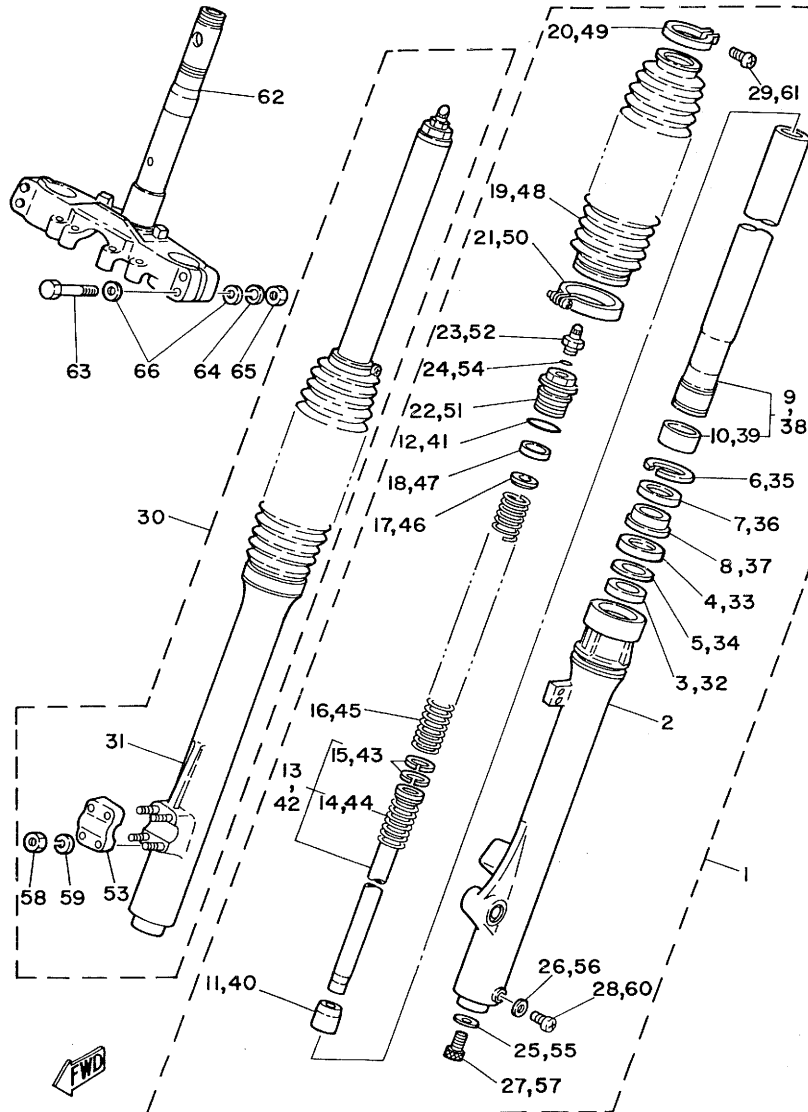


5X4100-2230

REF. NO.	PART NO.	DESCRIPTION	Q'TY	REMARKS
1	5X4-23102-M0	FRONT FORK ASSY (L.H)	1	
2	4V2-23126-L0	•TUBE, outer 1	1	
3	4V2-23125-L0	•METAL, slide 1	1	
4	1W4-23145-L0	•OIL SEAL	1	
5	4V2-23146-L0	•WASHER, oil seal	1	
6	3R4-23153-00	•RING, snaP	1	
7	3R4-23144-00	•SEAL, dust	1	
8	3R4-23148-00	•COVER, dust seal	1	
9	5X4-23110-L0	•INNER TUBE COMP.1	1	
10	4V2-23171-L0	•PISTON, front fork	1	
11	3R4-23173-L0	•SPINDLE, taPer	1	
12	1W4-23114-L0	•GASKET	1	
13	4V2-23170-L0	•CYLINDER COMP., front fork	1	
14	1W4-23151-L0	•SPRING, rebound	1	
15	4V2-23157-L0	•RING, Piston	2	
16	5X4-23141-L0	•SPRING, front fork (K=0.285)	1	
17	1W4-23142-L0	•SEAT, sPring uPPer	1	
18	5X4-23118-L0	•SPACER	1	
19	3R4-23191-M0	•BOOT	1	
20	1W4-23192-L0	•BAND	1	
21	1W4-23489-L0	•BAND	1	
22	5X4-23111-L0	•BOLT, caP	1	
23	4V4-23190-L0	•AIR VALVE COMP.	1	
24	3J2-23147-00	•O-RING	1	
25	2K8-23158-L0	•GASKET	1	
26	122-23129-00	•GASKET, drain Plug	1	
27	3R4-23181-L0	•BOLT, hexaGon socket head	1	
28	122-23119-01	•PLUG, drain	1	

D3

FIG. 23 FRONT FORK



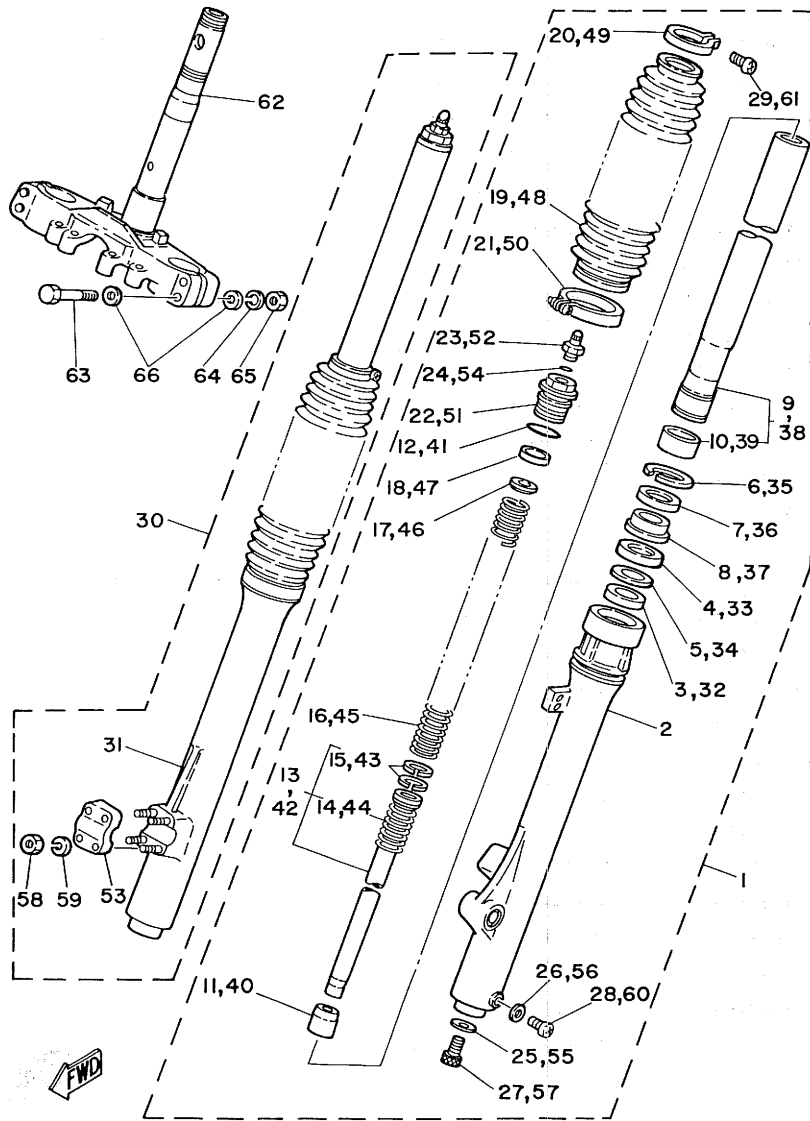
REF. NO.	PART NO.	DESCRIPTION	Q'TY	REMARKS
29	4V2-23194-L0	•SCREW, boot band	1	
30	5X4-23103-M0	FRONT FORK ASSY (R.H)	1	
31	4V2-23136-L0	•TUBE, outer 2	1	
32	4V2-23125-L0	•METAL, slide 1	1	
33	1W4-23145-L0	•OIL SEAL	1	
34	4V2-23146-L0	•WASHER, oil seal	1	
35	3R4-23153-00	•RING, snap	1	
36	3R4-23144-00	•SEAL, dust	1	
37	3R4-23148-00	•COVER, dust seal	1	
38	5X4-23110-L0	•INNER TUBE COMP.1	1	
39	4V2-23171-L0	•PISTON, front fork	1	
40	3R4-23173-L0	•SPINDLE, taPer	1	
41	1W4-23114-L0	•GASKET	1	
42	4V2-23170-L0	•CYLINDER COMP., front fork	1	
43	1W4-23151-L0	•SPRING, rebound	1	
44	4V2-23157-L0	•RING, Piston	2	
45	5X4-23141-L0	•SPRING, front fork (K=0.285)	1	
46	1W4-23142-L0	•SEAT, sPring uPPer	1	
47	5X4-23118-L0	•SPACER	1	
48	3R4-23191-M0	•BOOT	1	
49	1W4-23192-L0	•BAND	1	
50	1W4-23489-L0	•BAND	1	
51	5X4-23111-L0	•BOLT, caP	1	
52	4V4-23190-L0	•AIR VALVE COMP.	1	
53	4V2-23167-L0	•HOLDER, axle	1	
54	3J2-23147-00	•O-RING	1	
55	2K8-23158-L0	•GASKET	1	
56	122-23129-00	•GASKET, drain Plug	1	

5X4100-2230

**D4**

FIG. 23 FRONT FORK

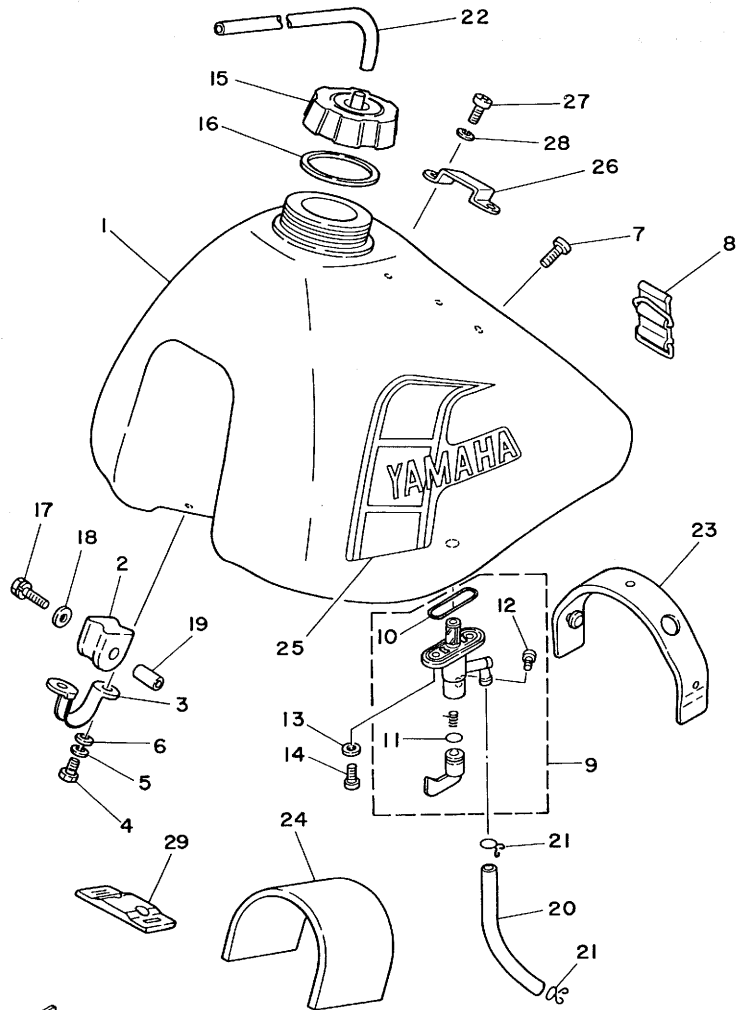
REF. NO.	PART NO.	DESCRIPTION	Q'TY	REMARKS
57	3R4-23181-L0	•BOLT, hexa&on socket head	1	
58	95311-06600	•NUT	4	
59	92901-06100	•WASHER, sPring	4	
60	122-23119-01	•PLUG, drain	1	
61	4V2-23194-L0	•SCREW, boot band	1	
62	5X4-23340-L0-33	UNDER BRACKET COMP.	1	yamaha black
63	90101-08340	BOLT	4	
64	92901-08100	WASHER, sPring	4	
65	95301-08600	NUT	4	
66	90201-08544	WASHER, Plate	7	



5X4100-2230

D5

FIG. 24 FUEL TANK



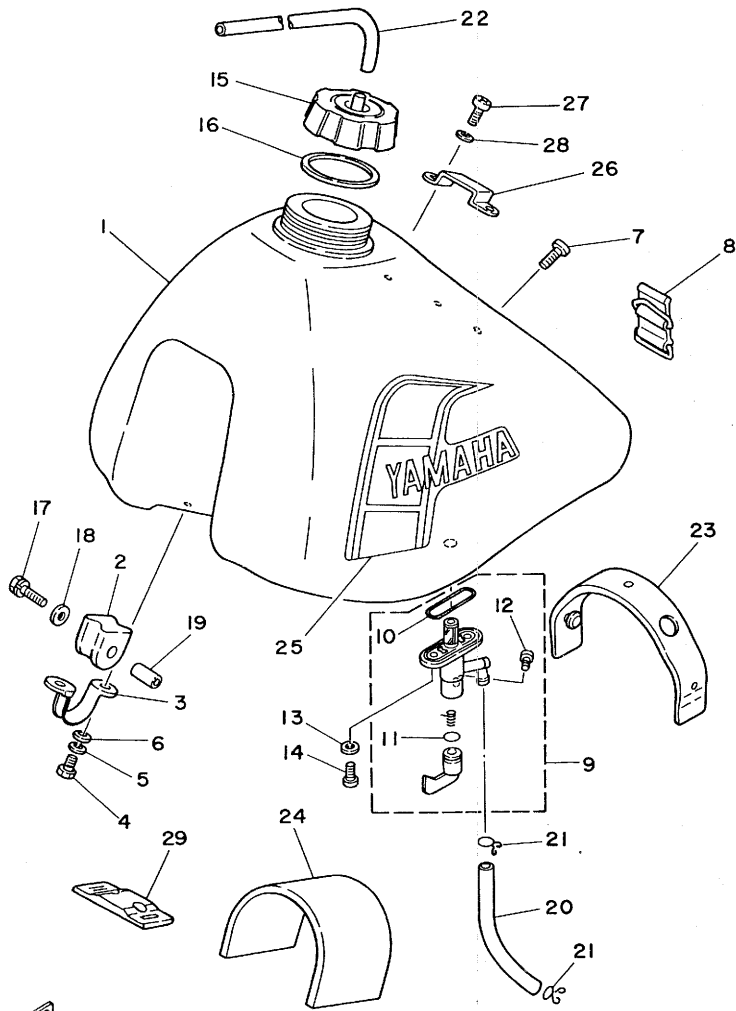
REF. NO.	PART NO.	DESCRIPTION	Q'TY	REMARKS
1	5X4-24110-10	FUEL TANK COMP.	1	white
2	1W1-24182-01	DAMPER, locating 2	2	
3	1W1-24144-01	HOLDER, damPer	2	
4	97301-06012	BOLT	4	
5	92901-06100	WASHER, sPring	4	
6	92901-06600	WASHER, Plate	4	
7	98902-06018	SCREW, bind	1	
8	3R3-24173-00	BAND, tank fitting 1	1	
9	2K5-24500-00	FUEL COCK ASSY 1	1	
10	214-24512-00	.GASKET	1	
11	1A0-24512-00	.O-RING	1	
12	619-24535-00	.SCREW, lever fitting	1	
13	90202-06010	WASHER, Plate	2	
14	90149-06011	SCREW	2	
15	5X7-24611-00	BODY, caP	1	
16	5X7-24612-00	GASKET, caP	1	
17	90119-06022	BOLT, with washer	2	
18	90201-06407	WASHER, Plate	2	
19	90387-07393	COLLAR	2	
20	90445-11637	HOSE	1	
21	90467-10008	CLIP	2	
22	90445-09300	HOSE	1	
23	3R4-24181-00	DAMPER, locating 1	1	
24	5X4-24183-00	DAMPER, locating 3	1	
25	5X4-24240-19	GRAPHIC SET	1	
26	5X6-2412F-00	BRACKET, seat	1	
27	92501-06012	SCREW, Pan head	2	
28	92901-06100	WASHER, sPring	2	

5X4100-2240

D6

FIG. 24 FUEL TANK

REF. NO.	PART NO.	DESCRIPTION	Q'TY	REMARKS
29	5X5-24184-00	DAMPER, locating 4	1	



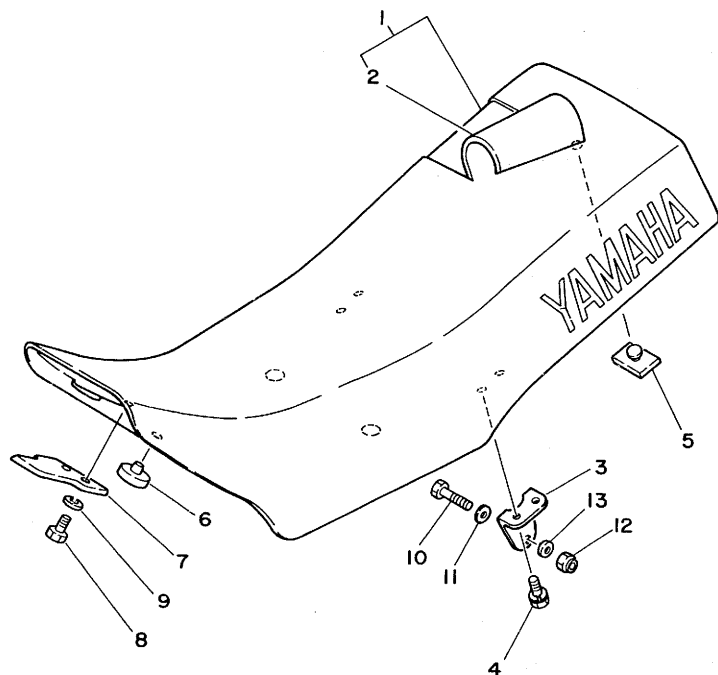
5X4100-2240

D7



FIG. 25 SEAT

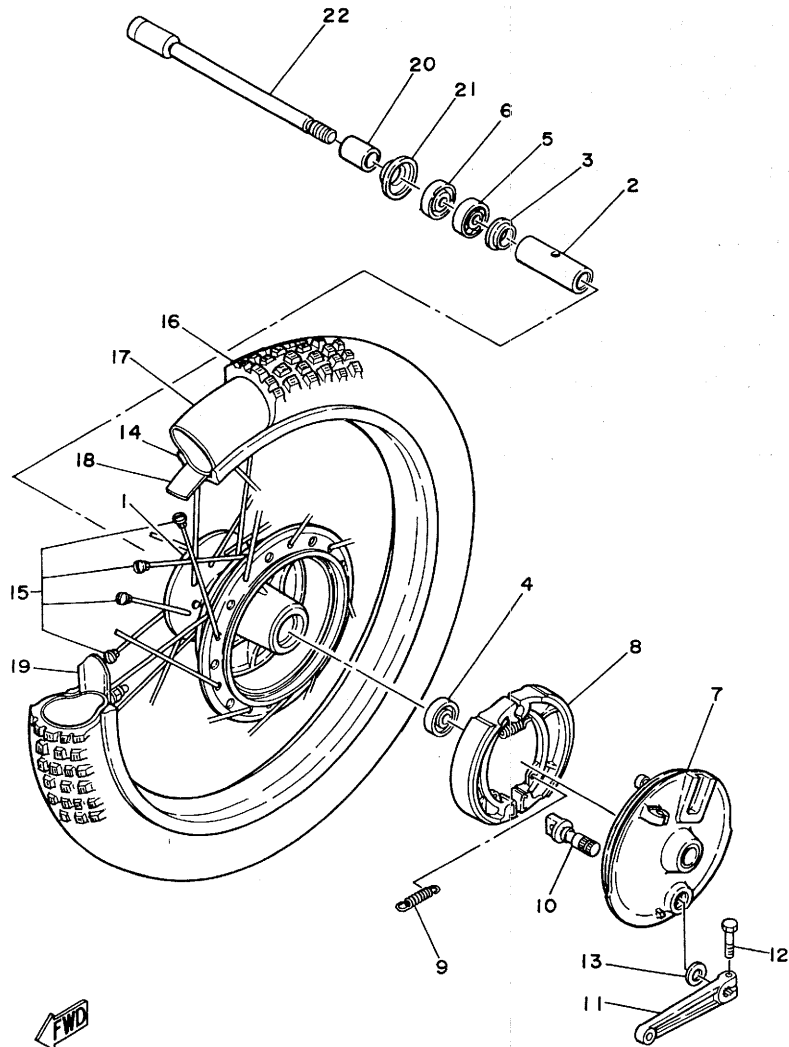
REF. NO.	PART NO.	DESCRIPTION	Q'TY	REMARKS
1	5X4-W2473-10	SEMI-DOUBLE SEAT ASSY	1	
2	5X4-24771-10	COVER, semi-double seat	1	
3	1W1-24738-00	BRACKET, seat	2	
4	90101-06304	BOLT	4	
5	509-24724-00	DAMPER, seat	1	
6	116-24741-00	PAD, seat	2	
7	5X6-24748-00	BRACKET, seat	1	
8	97301-06012	BOLT	2	
9	92901-06100	WASHER, sPring	2	
10	97302-06035	BOLT	2	
11	92902-06600	WASHER	2	
12	95602-06100	NUT, u	2	
13	92902-06100	WASHER, sPring	2	



5X4100-2250

D8

FIG. 26 FRONT WHEEL

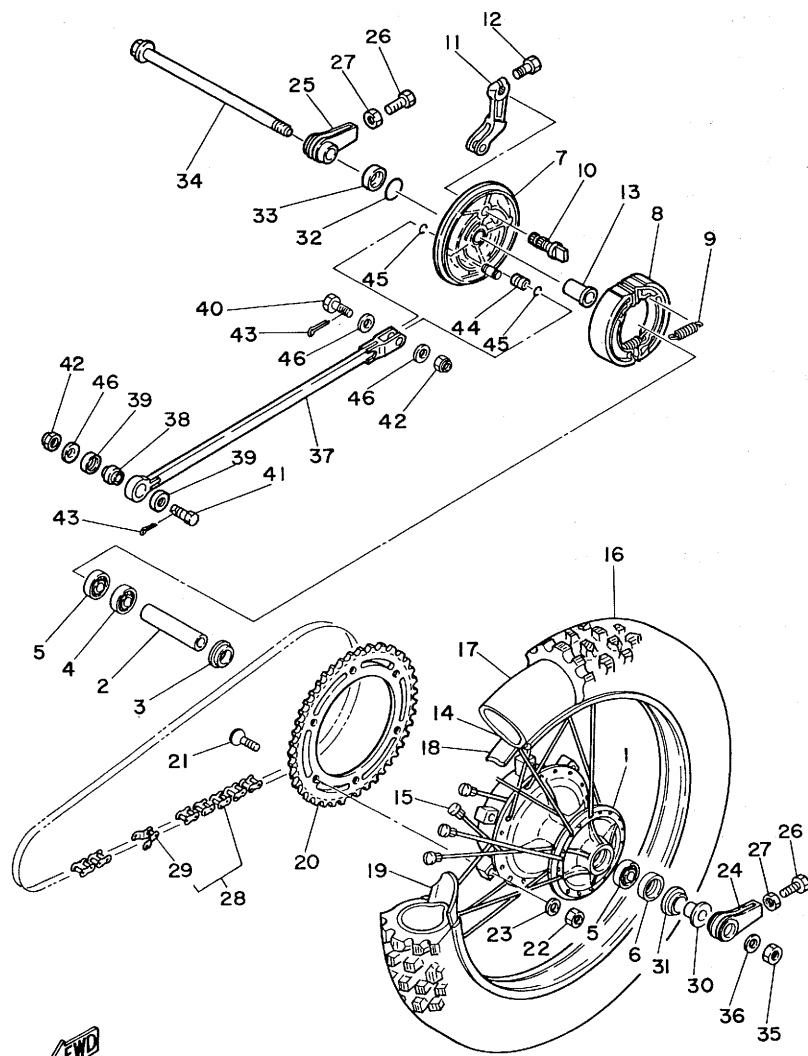


REF. NO.	PART NO.	DESCRIPTION	Q'TY	REMARKS
1	1K7-25111-11-98	HUB, front	1	low gloss black
2	90560-15116	SPACER	1	
3	146-25116-00	FLANGE, sPacer 2	1	
4	93306-20203	BEARING (B6202RS)	1	
5	93306-20205	BEARING (B6202)	1	
6	93102-20009	OIL SEAL	1	
7	1W1-25121-02-98	PLATE, brake shoe	1	low gloss black
8	322-25130-00	BRAKE SHOE COMP.	2	
9	90506-16036	SPRING, tension	2	
10	3R4-25151-00	CAMSHAFT	1	
11	322-25155-00	LEVER, camshaft 1	1	
12	90101-06291	BOLT	1	
13	137-25159-00	SEAL, camshaft	1	
14	94416-21317	RIM (1.60-21)	1	
15	2W6-25104-02	SPOKE SET, front	1	
16	94130-21732	TIRE (3.00-21)	1	UR bridgestone
	94130-21731	TIRE (3.00-21)	1	UR inoue
17	94227-21123	TUBE (2.75-21)	1	UR bridgestone
	94230-21126	TUBE (3.00-21)	1	UR inoue
18	94330-21084	BAND, rim (3.00-21)	1	UR bridgestone
	94330-21088	BAND, rim (3.00-21)	1	UR inoue
19	4V5-25194-00	SPACER, bead	1	
20	90387-15535	COLLAR	1	
21	322-25118-00	COVER, hub dust	1	
22	3R4-25181-01	AXLE, wheel	1	

5X4100-2260

D9

FIG. 27 REAR WHEEL

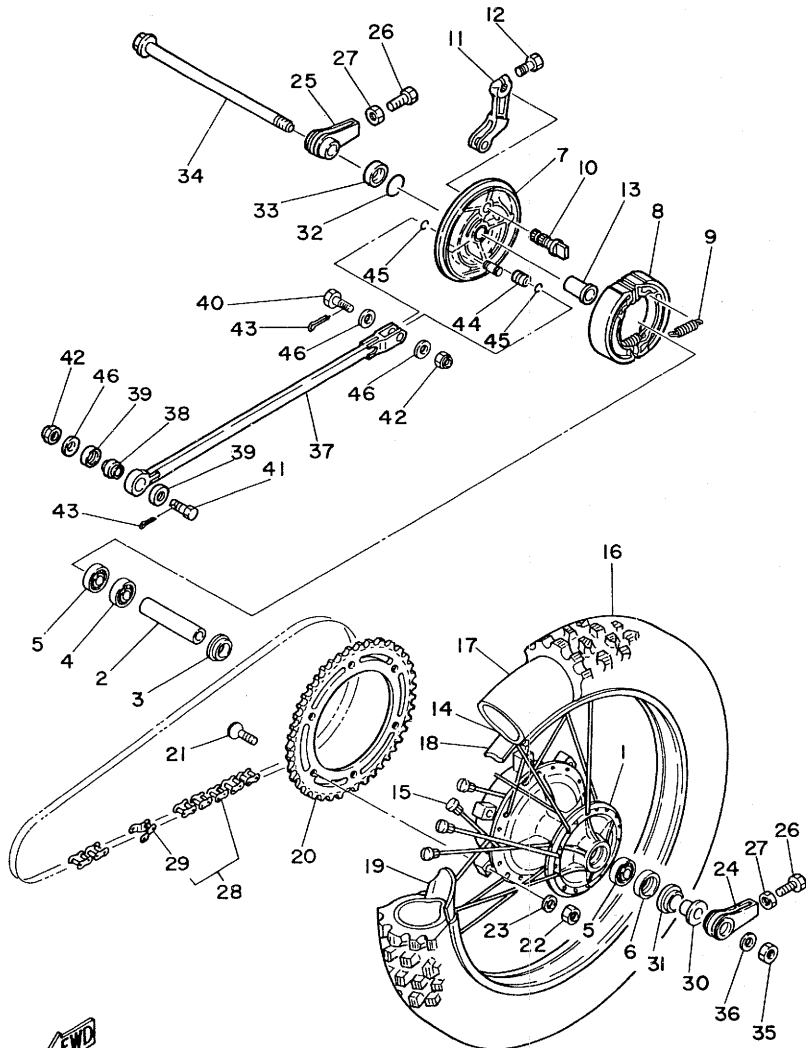


REF. NO.	PART NO.	DESCRIPTION	Q'TY	REMARKS
1	5X4-25311-00-98	HUB, rear	1	low gloss black
2	5X4-25317-00	SPACER, bearing	1	
3	146-25315-00	FLANGE, spacer	1	
4	93306-20310	BEARING (B6203RS)	1	
5	93306-20316	BEARING (B6203)	2	
6	93102-25044	OIL SEAL	1	
7	5X4-25321-00-98	PLATE, brake shoe	1	low gloss black
8	437-25330-00	BRAKE SHOE COMP.	2	
9	90506-16036	SPRING, tension	2	
10	401-25351-00	CAMSHAFT	1	
11	5X4-25355-00	LEVER, camshaft	1	
12	90101-06291	BOLT	1	
13	90387-173F8	COLLAR	1	
14	94418-18318	RIM (1.85-18)	1	
15	4V2-25304-00	SPOKE SET, rear	1	
16	94140-18735	TIRE (4.00-18)	1	UR bridgestone
	94111-18781	TIRE (110/90-18 61M)	1	UR inoue
17	94237-18120	TUBE (3.75-18)	1	UR bridgestone
	94235-18085	TUBE (3.50-18)	1	UR yokohama
18	94330-18087	BAND, rim (3.00-18)	1	UR bridgestone
	94325-18043	BAND, rim (2.50-18)	1	UR yokohama
19	2X3-25394-00	SPACER, bead	2	
20	3R4-25446-00	SPROCKET, driven (46T)	1	STD
	3R4-25448-00	SPROCKET, driven (48T)	1	AP
	3R4-25450-00	SPROCKET, driven (50T)	1	AP
	3R4-25452-00	SPROCKET, driven (52T)	1	AP
21	90110-08038	BOLT, hexagon socket head	6	
22	90185-08089	NUT, self-locking	6	

5X4100-2270

D10

FIG. 27 REAR WHEEL



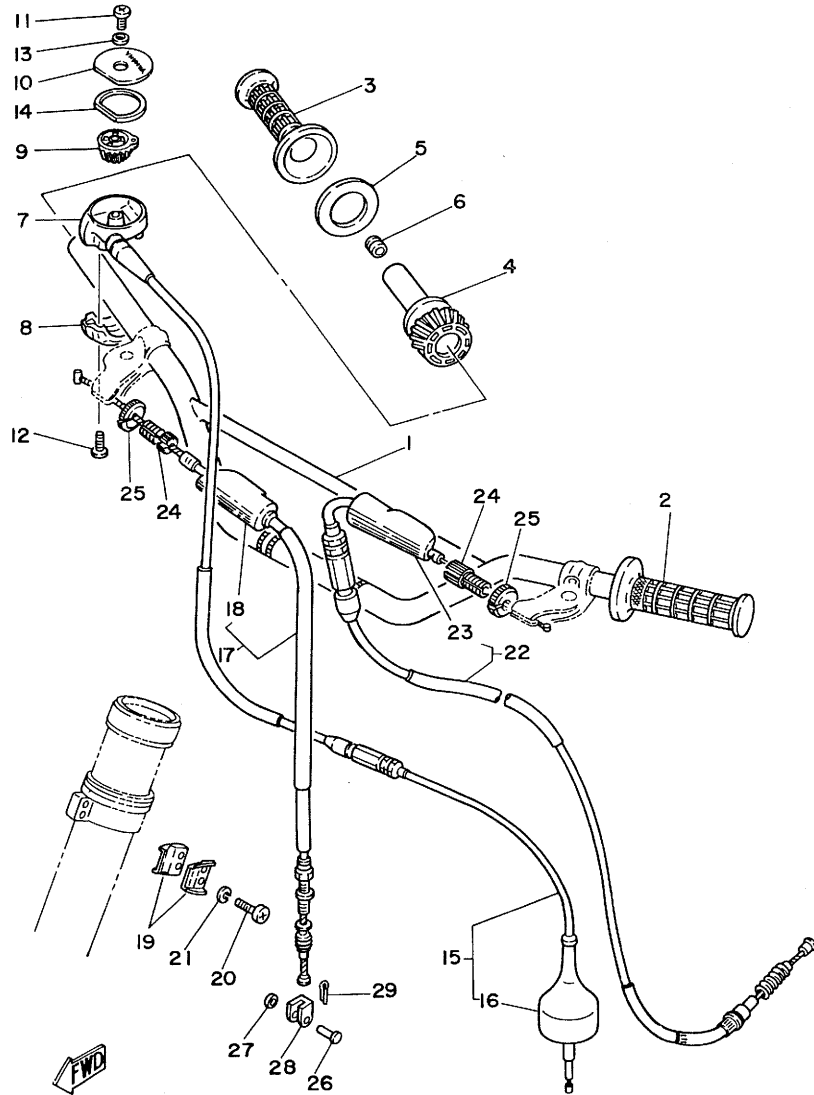
REF. NO.	PART NO.	DESCRIPTION	Q'TY	REMARKS
23	92901-08200	WASHER, Plain	6	
24	5X4-25388-00	PULLER, chain 1	1	
25	5X4-25389-00	PULLER, chain 2	1	
26	90101-08475	BOLT	2	
27	95301-08700	NUT	2	
28	94585-20104	CHAIN, drive (DID520DS 104L)	1	
29	94685-20001	JOINT, chain	1	
30	90387-174F0	COLLAR	1	
31	3R4-25367-00	COVER, hub dust	1	
32	93210-31114	O-RING	1	
33	275-25327-00	COVER, Plate	1	
34	5X4-25381-00	AXLE, wheel	1	
35	90185-16103	NUT, self-locking	1	
36	92901-16600	WASHER, Plate	1	
37	5X4-25371-00	BAR, tension	1	
38	93399-99905	BEARING	1	UR
	93399-99906	BEARING	1	UR
39	93108-23009	OIL SEAL	2	
40	90102-0804 <sup>3</sup>	BOLT, with hole	1	
41	90102-08034	BOLT, with hole	1	
42	95611-08100	NUT, u	<del>X</del> 1	
43	91401-20015	PIN, cotter	2	
44	90387-083F0	COLLAR	1	
45	93210-14167	O-RING	2	
46	92901-08600	WASHER, Plate	<del>X</del> 2	
47	5X4-25372-00	NUT TENSION BAR	1	



5X4100-2270

D11

FIG. 28 HANDLEBAR CABLE

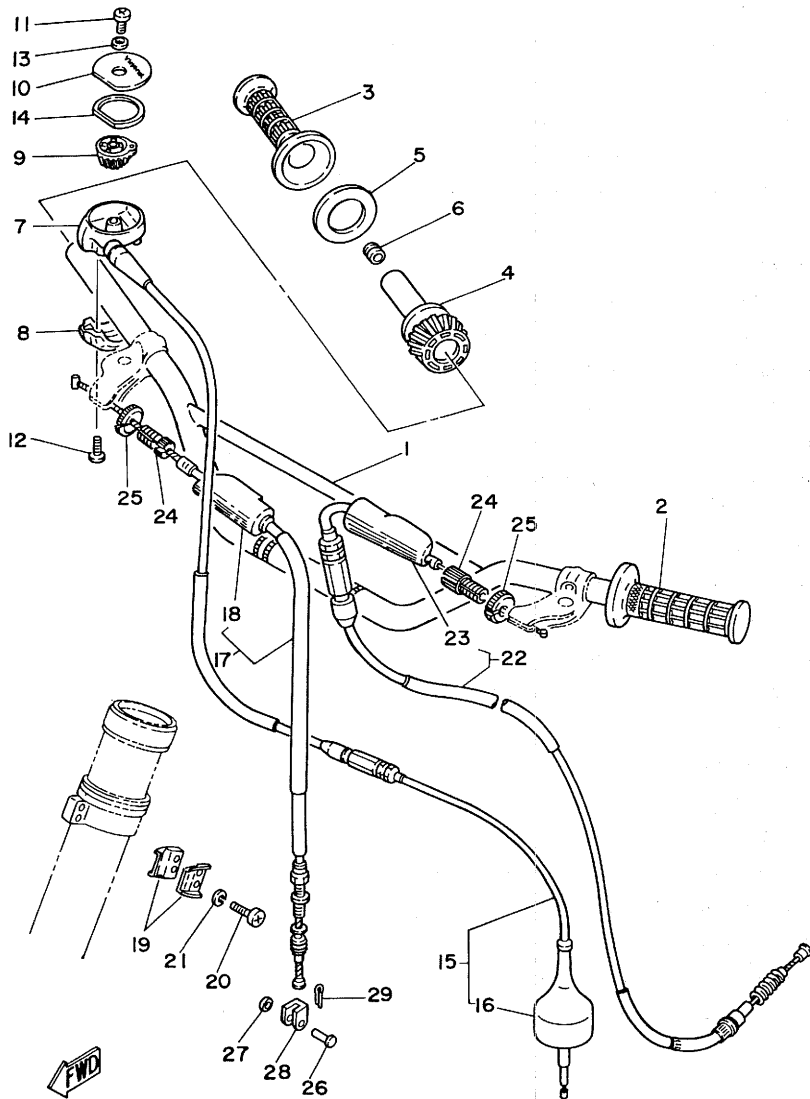


5X4100-2280

REF. NO.	PART NO.	DESCRIPTION	Q'TY	REMARKS
1	4V2-26111-01	HANDLEBAR	1	
2	4V4-26241-00	GRIP (L.H)	1	
3	4V4-26242-00	GRIP (R.H)	1	
4	4V4-26243-00	TUBE, throttle Guide	1	
5	4V4-26249-00	RING, leaf	1	
6	688-82535-00	GROMMET	1	
7	4V4-26281-00	CAP, grip upper	1	
8	4V4-26282-00	CAP, grip lower	1	
9	4V4-2628E-00	GEAR, bevel	1	
10	4V4-2628F-00	CAP, gear	1	
11	98906-05010	SCREW, bind	1	
12	98501-05016	SCREW, Pan head	2	
13	90430-05009	GASKET	1	
14	4V4-2628G-00	PACKING	1	
15	5X4-26311-00	CABLE, throttle 1	1	
16	500-26329-01	.CAP, rubber	1	
17	4V2-26341-01	CABLE, brake	1	
18	382-26372-01	.COVER, handle lever 1	1	
19	90465-14192	CLAMP	2	
20	92501-06025	SCREW, Pan head	2	
21	92901-06100	WASHER, sPring	2	
22	5X4-26335-00	CABLE, clutch	1	
23	382-26372-01	.COVER, handle lever 1	1	
24	90123-08046	BOLT	2	
25	90179-08148	NUT	2	
26	90240-08012	PIN, clevis	1	
27	90201-08083	WASHER, Plate	1	

FIG. 28 HANDLEBAR.CABLE

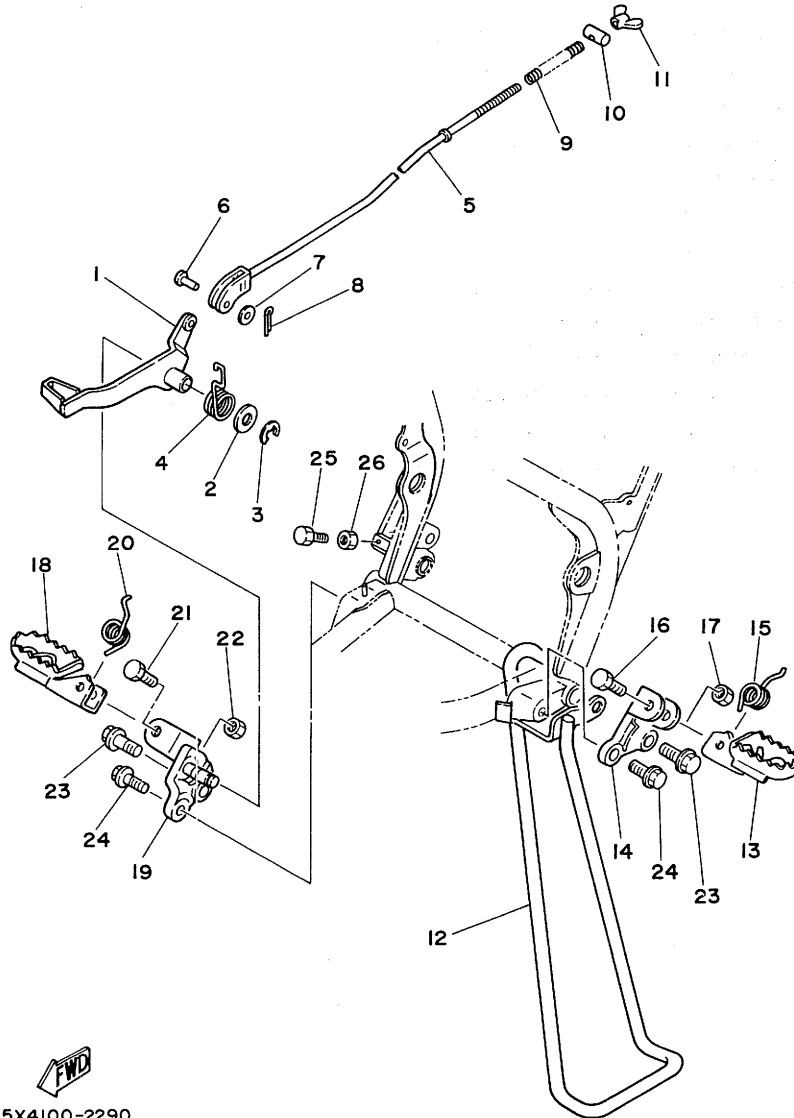
REF. NO.	PART NO.	DESCRIPTION	Q'TY	REMARKS
28	156-26347-00	JOINT, cable	1	
29	91401-20015	PIN, cotter	1	



5X4100-2280

**D13**

FIG. 29 STAND.FOOTREST

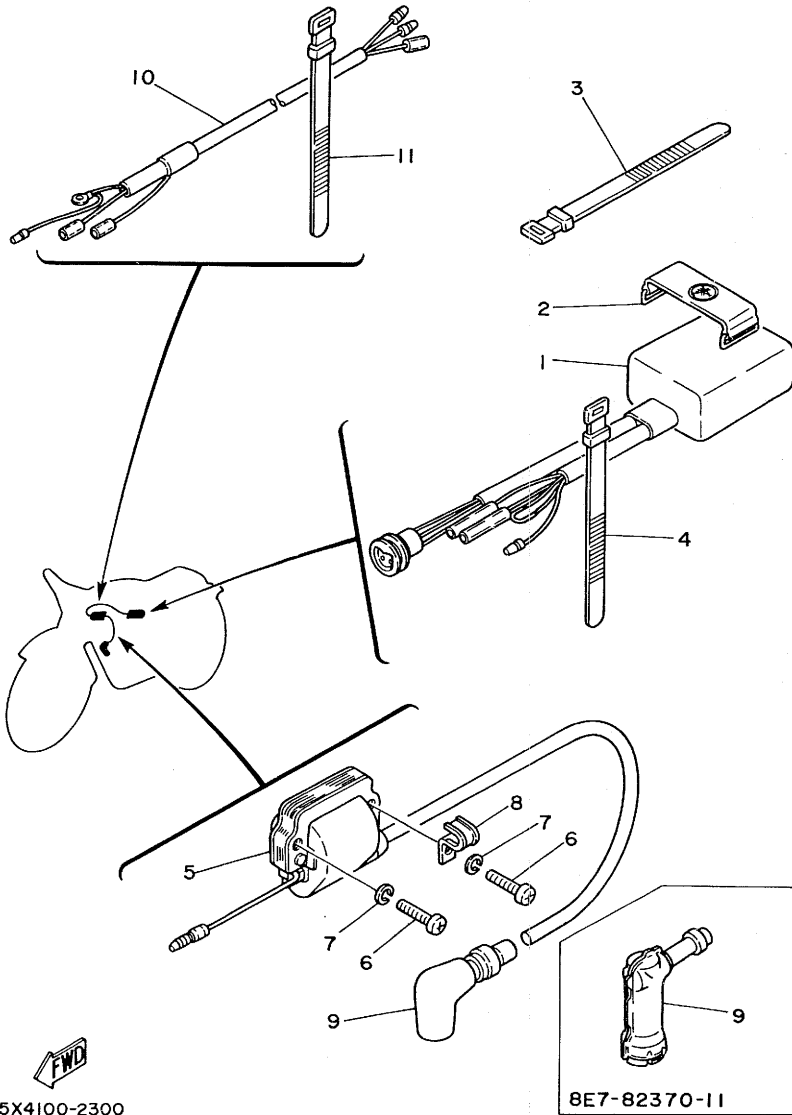


REF. NO.	PART NO.	DESCRIPTION	Q'TY	REMARKS
1	5X4-27211-00-90	PEDAL, brake	1	uni chrome (black)
2	92902-12200	WASHER	1	
3	93430-09038	CIRCLIP	1	
4	90508-32438	SPRING, torsion	1	
5	5X4-27231-00	ROD, brake	1	
6	90240-06040	PIN, clevis	1	
7	92901-06200	WASHER, Plain	1	
8	91401-20015	PIN, cotter	1	
9	90501-10245	SPRING, compression	1	
10	90249-12008	PIN	1	
11	90175-06013	NUT, wing	1	
12	5X4-27311-01	STAND, side	1	
13	5X6-27411-00	FOOTREST 1	1	
14	4V2-27412-01	BRACKET, footrest 1	1	
15	90508-20023	SPRING, torsion	1	
16	90101-08428	BOLT	1	
17	95601-08100	NUT, u	1	
18	5X6-27421-00	FOOTREST 2	1	
19	4V2-27422-01	BRACKET, footrest 2	1	
20	90508-20023	SPRING, torsion	1	
21	90101-08428	BOLT	1	
22	95601-08100	NUT, u	1	
23	90105-12096	BOLT, washer based	2	
24	95811-10020	BOLT, flange	2	
25	90109-06670	BOLT	1	
26	95301-06700	NUT	1	

  
5X4100-2290

**D14**

FIG. 30 ELECTRICAL 1



REF. NO.	PART NO.	DESCRIPTION	Q'TY	REMARKS
1	5X4-85540-10	C.D.I. UNIT ASSY	1	
2	288-21376-00	BAND, tool	1	
3	437-83936-00	BAND, switch cord	2	
4	256-83936-00	BAND, switch cord	1	
5	<del>256</del> 5X4-82310-10	IGNITION COIL ASSY	1	
6	92501-06025	SCREW, Pan head	2	
7	92901-06100	WASHER, sPring	2	
8	90462-05005	CLAMP	1	
9	3R0-82370-20	PLUG CAP ASSY	1	UR
	8E7-82370-11	PLUG CAP ASSY	1	UR with noise suPPressor
10	5X4-82590-00	WIRE HARNESS ASSY	1	
11	437-83936-10	BAND, switch cord	1	

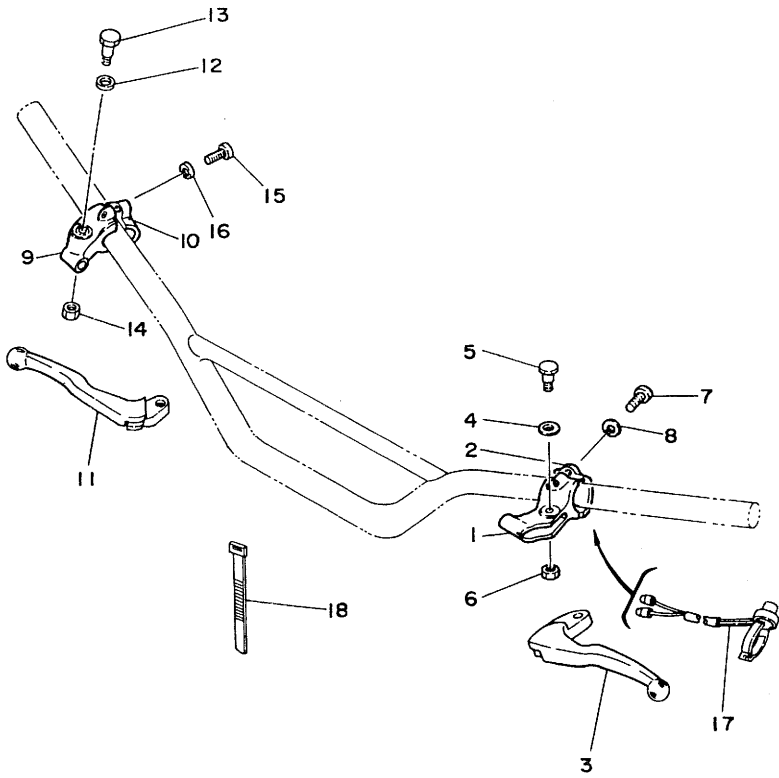
5X4100-2300

**D15**



FIG. 31 HANDLE SWITCH•LEVER

REF. NO.	PART NO.	DESCRIPTION	Q'TY	REMARKS
1	4V4-82911-00	HOLDER, lever 1	1	
2	4V4-82913-00	HOLDER, lever lower 1	1	
3	3M2-83912-00	LEVER 1	1	
4	90201-08083	WASHER, Plate	1	
5	90109-06410	BOLT	1	
6	95601-06100	NUT, u	1	
7	98506-05020	SCREW, Pan head	2	
8	92906-05100	WASHER, sPring	2	
9	4V4-82921-00	HOLDER, lever 2	1	
10	4V4-82913-00	HOLDER, lever lower 1	1	
11	3M2-83922-00	LEVER 2	1	
12	90201-08083	WASHER, Plate	1	
13	90109-06410	BOLT	1	
14	95601-06100	NUT, u	1	
15	98506-05020	SCREW, Pan head	2	
16	92906-05100	WASHER, sPring	2	
17	5X6-83976-00	SWITCH, handle 1	1	
18	437-83936-00	BAND, switch cord	2	



FWD

5X4100-2310

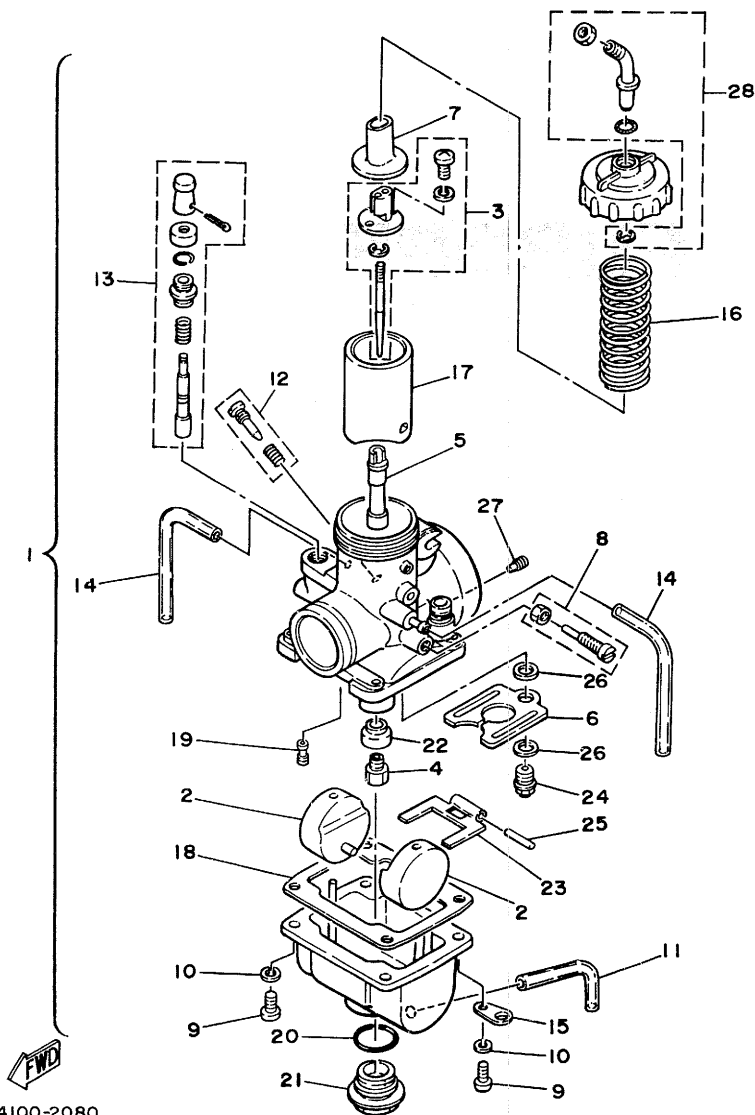
E2



**EXCLUSIVE FOR EUROPE**

FIG. 32 CARBURETOR

REF. NO.	PART NO.	DESCRIPTION	Q'TY	REMARKS
1	5X4-14101-10	CARBURETOR ASSY 1	1	
2	310-14185-00	•FLOAT	2	
3	239-W1418-00	•NEEDLE SET (6F21)	1	
4	137-14143-60	•JET, main (#300)	1	UR STD
	137-14143-58	•JET, main (#290)	1	UR
	137-14143-62	•JET, main (#310)	1	UR
5	239-14141-52	•NOZZLE, main	1	
6	483-14146-00	•PLATE	1	
7	509-14136-00	•SEAT, sPring	1	
8	204-W1411-00	•THROTTLE SCREW SET	1	
9	98501-05016	•SCREW, Pan head	4	
10	92902-05100	•WASHER, sPring	4	
11	493-14196-00	•PIPE	1	
12	152-W1412-00	•AIR SCREW SET	1	
13	737-W1414-00	•STARTER PLUNGER SET	1	
14	310-14197-00	•PIPE	2	
15	313-14146-00	•PLATE	2	
16	363-14131-00	•SPRING, throttle valve	1	
17	3R6-14112-25	•VALVE, throttle 1	1	
18	483-14184-00	•GASKET, float chamber	1	
19	193-14142-80	•JET, Pilot (#80.0)	1	
20	2K6-14147-00	•O-RING	1	
21	2K6-14115-00	•PLUG, screw	1	
22	3R3-14153-00	•WASHER, main Jet	1	
23	310-14187-00	•ARM, float	1	
24	239-14190-33	•NEEDLE VALVE ASSY	1	
25	537-14186-00	•PIN, float	1	
26	239-14195-00	•WASHER, needle valve	2	

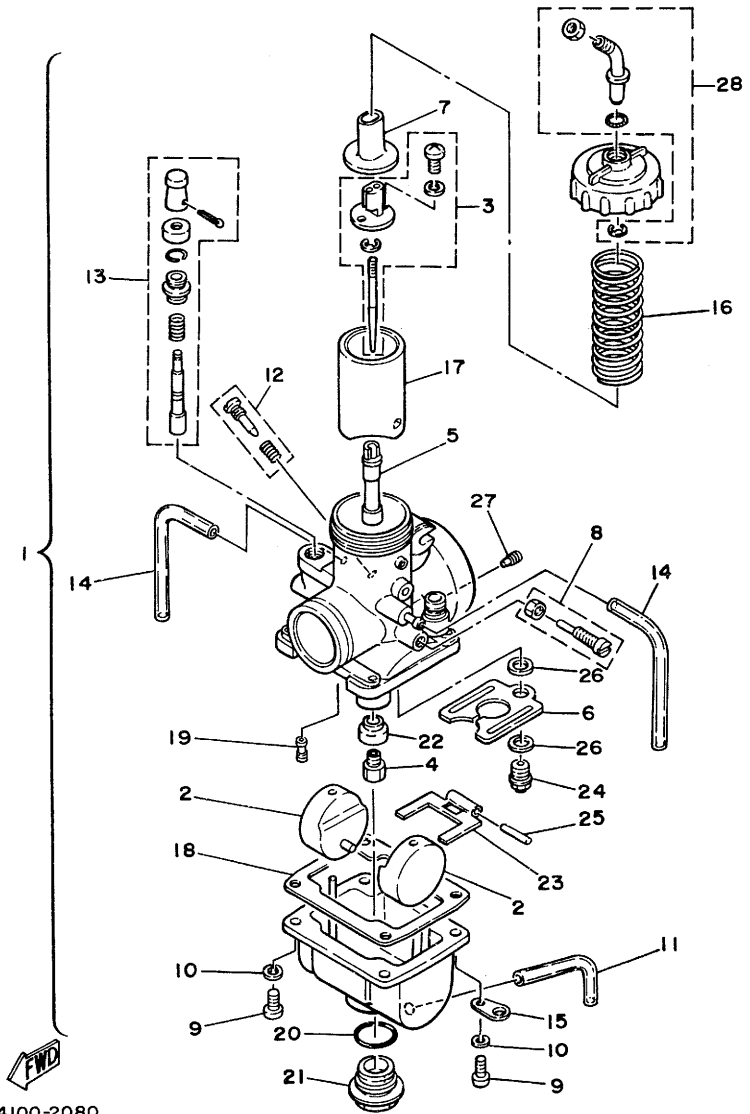


5X4100-2080

E3

FIG. 32 CARBURETOR

REF. NO.	PART NO.	DESCRIPTION	Q'TY	REMARKS
27	239-14172-20	•PILOT JET, air	1	
28	3R3-W1415-00	•ADJUSTER SET	1	



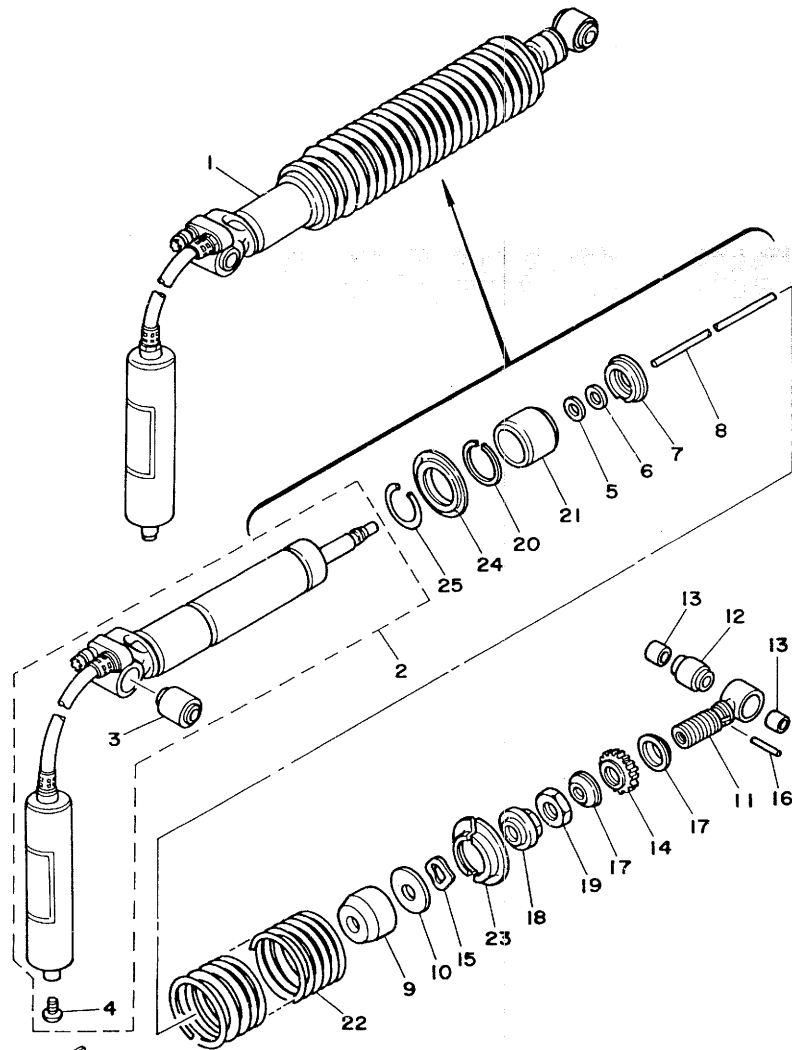
FWI  
5X4100-2080

**E4**



**EXCLUSIVE FOR CANADA**

FIG. 33 REAR SUSPENSION



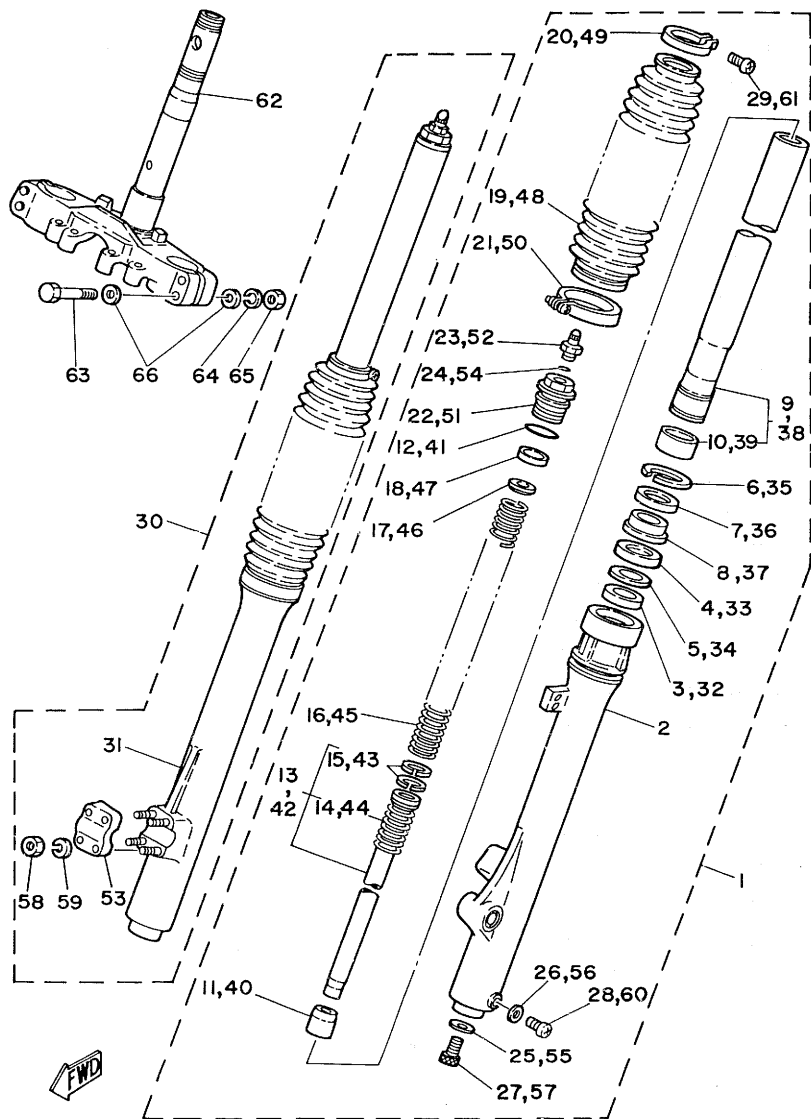
5X6300-2300

REF. NO.	PART NO.	DESCRIPTION	Q'TY	REMARKS
1	5X4-22210-00	SHOCK ABSORBER ASSY, rear	1	
2	5X4-22401-00	.DUMPER SUB ASSY	1	
3	5X6-22216-00	..BUSH, rear shock absorber	1	
4	98501-04005	..SCREW, Pan head	1	
5	5X6-22475-00	..SEAL, dust	1	
6	5X6-22473-00	..HOUSING, seal ring	1	
7	5X6-22472-00	..CAP, case	1	
8	5X6-22489-00	..ROD, Push	1	
9	5X6-22493-00	..BUMP, stoP	1	
10	5X6-22228-00	..SUPPORT, bumP stoP	1	
11	5X6-22409-00	..UPPER BRACKET SUB ASSY	1	
12	5X6-22226-00	..BUSH, shock absorber lower	1	
13	90384-18157	..BUSH, bimetal formed	2	
14	5X6-22497-00	..NUT, adjustinG	1	
15	90206-18072	..WASHER, wave	1	
16	93604-30173	..PIN, dowel	1	
17	4V4-22221-70	..COVER	2	
18	5X6-22213-00	..SEAT, sPrinG uPPer	1	
19	90170-25294	..NUT	1	
20	93440-52106	..CIRCLIP	1	
21	5X6-22224-00	..GUIDE, sPrinG 2	1	
22	5X4-22212-00	..SPRING (K=3.0)	1	no Painted
23	5X6-22214-00	..GUIDE, sPrinG 1	2	
24	5X6-22223-00	..SEAT, sPrinG lower	1	
25	93440-51103	..CIRCLIP	1	

E5



FIG. 34 FRONT FORK

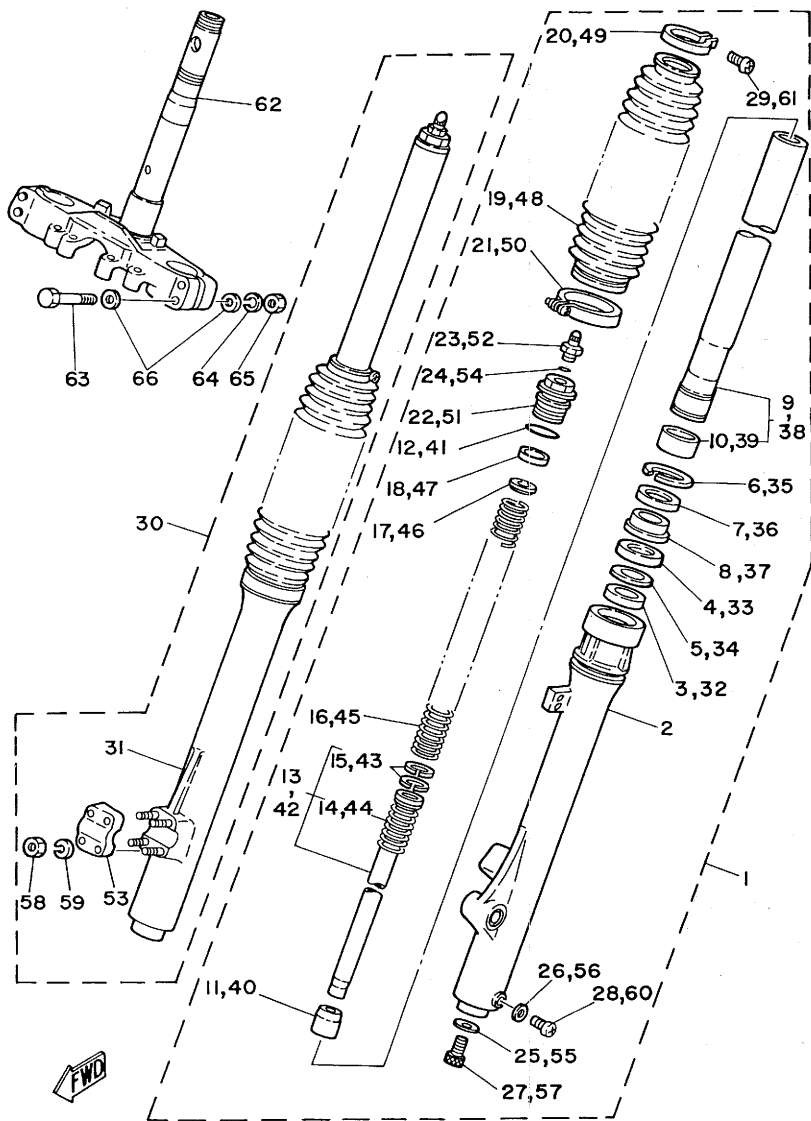


5X4100-2230

E6

REF. NO.	PART NO.	DESCRIPTION	Q'TY	REMARKS
1	5X4-23102-L0	FRONT FORK ASSY (L.H)	1	
2	4V2-23126-L0	.TUBE, outer 1	1	
3	4V2-23125-L0	.METAL, slide 1	1	
4	1W4-23145-L0	.OIL SEAL	1	
5	4V2-23146-L0	.WASHER, oil seal	1	
6	3R4-23153-00	.RING, snap	1	
7	3R4-23144-00	.SEAL, dust	1	
8	3R4-23148-00	.COVER, dust seal	1	
9	5X4-23110-L0	.INNER TUBE COMP.1	1	
10	4V2-23171-L0	..PISTON, front fork	1	
11	3R4-23173-L0	.SPINDLE, taPer	1	
12	1W4-23114-L0	.GASKET	1	
13	4V2-23170-L0	.CYLINDER COMP., front fork	1	
14	1W4-23151-L0	..SPRING, rebound	1	
15	4V2-23157-L0	..RING, Piston	2	
16	5X4-23141-L0	.SPRING, front fork (K=0.285)	1	
17	1W4-23142-L0	.SEAT, sPring uPPer	1	
18	5X4-23118-L0	.SPACER	1	
19	3R4-23191-M0	.BOOT	1	
20	1W4-23192-L0	.BAND	1	
21	1W4-23489-L0	.BAND	1	
22	5X4-23111-L0	.BOLT, caP	1	
23	4V4-23190-L0	.AIR VALVE COMP.	1	
24	3J2-23147-00	.O-RING	1	
25	2K8-23158-L0	.GASKET	1	
26	122-23129-00	.GASKET, drain Plug	1	
27	3R4-23181-L0	.BOLT, hexaGon socket head	1	
28	122-23119-01	.PLUG, drain	1	

FIG. 34 FRONT FORK

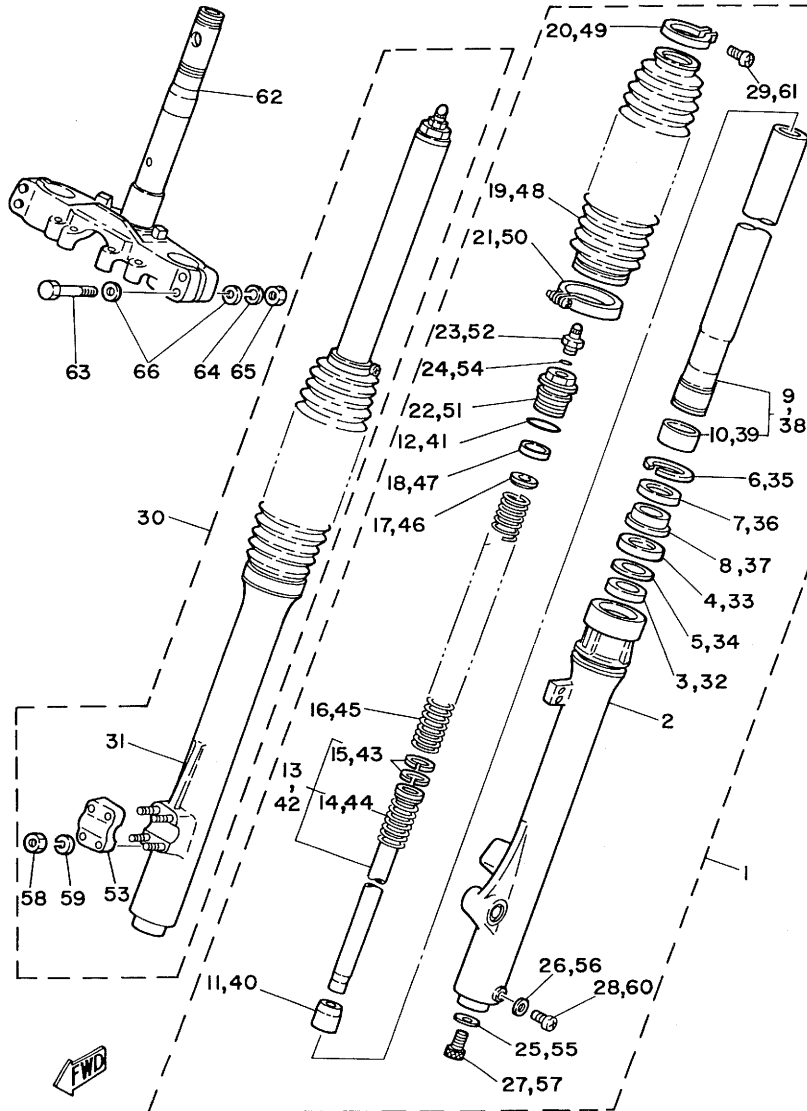


5X4100-2230

**E7**

REF. NO.	PART NO.	DESCRIPTION	Q'TY	REMARKS
29	4V2-23194-L0	.SCREW, boot band	1	
30	5X4-23103-L0	FRONT FORK ASSY (R.H)	1	
31	4V2-23136-L0	.TUBE, outer 2	1	
32	4V2-23125-L0	.METAL, slide 1	1	
33	1W4-23145-L0	.OIL SEAL	1	
34	4V2-23146-L0	.WASHER, oil seal	1	
35	3R4-23153-00	.RING, snaP	1	
36	3R4-23144-00	.SEAL, dust	1	
37	3R4-23148-00	.COVER, dust seal	1	
38	5X4-23110-L0	.INNER TUBE COMP.1	1	
39	4V2-23171-L0	..PISTON, front fork	1	
40	3R4-23173-L0	.SPINDLE, taPer	1	
41	1W4-23114-L0	.GASKET	1	
42	4V2-23170-L0	.CYLINDER COMP., front fork	1	
43	1W4-23151-L0	..SPRING, rebound	1	
44	4V2-23157-L0	..RING, Piston	2	
45	5X4-23141-L0	.SPRING, front fork (K=0.285)	1	
46	1W4-23142-L0	.SEAT, sPring upper	1	
47	5X4-23118-L0	.SPACER	1	
48	3R4-23191-M0	.BOOT	1	
49	1W4-23192-L0	.BAND	1	
50	1W4-23489-L0	.BAND	1	
51	5X4-23111-L0	.BOLT, caP	1	
52	4V4-23190-L0	.AIR VALVE COMP.	1	
53	4V2-23167-L0	.HOLDER, axla	1	
54	3J2-23147-00	.O-RING	1	
55	2K8-23158-L0	.GASKET	1	
56	122-23129-00	.GASKET, drain Plug	1	

FIG. 34 FRONT FORK



5X4100-2230

**E8**

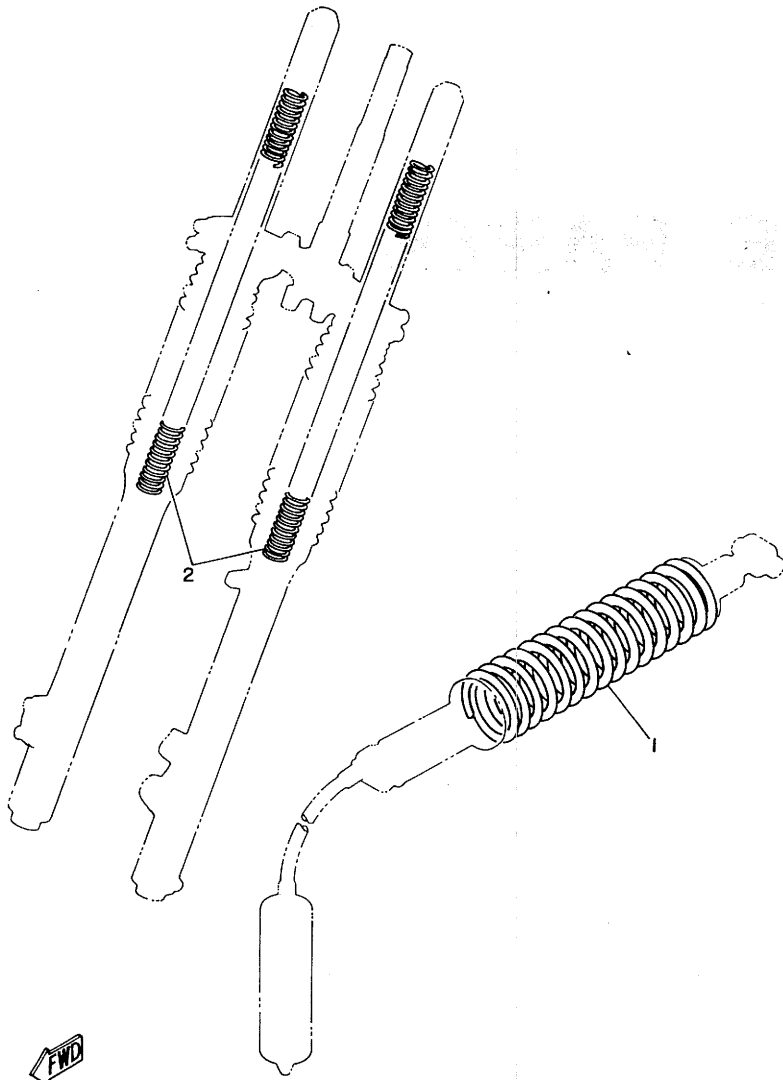
REF. NO.	PART NO.	DESCRIPTION	Q'TY	REMARKS
57	3R4-23181-L0	•BOLT, hexa gon socket head	1	
58	95311-06600	•NUT	4	
59	92901-06100	•WASHER, sPring	4	
60	122-23119-01	•PLUG, drain	1	
61	4V2-23194-L0	•SCREW, boot band	1	
62	5X4-23340-L0-33	UNDER BRACKET COMP.	1	yamaha black
63	90101-08340	BOLT	4	
64	92901-08100	WASHER, sPring	4	
65	95301-08600	NUT	4	
66	90201-08544	WASHER, Plate	7	



# **ALTERNATE PARTS**

FIG. 35 ALTERNATE (CHASSIS)

REF. NO.	PART NO.	DESCRIPTION	Q'TY	REMARKS
1	5X4-22212-20	SPRING (K=2.5)	1	UR white / white
	5X4-22212-10	SPRING (K=2.75)	1	UR white / pink
	5X4-22212-00	SPRING (K=3.0)	1	UR no painted
	5X5-22212-10	SPRING (K=3.25)	1	UR white / green
2	5X4-23141-10	SPRING, front fork (K=0.268)	2	UR soft } USE WITH
	5X4-23141-20	SPRING, front fork (K=0.310)	2	UR hard } REF 35-3 SET
3	4VS 23118-41	SPACER (L=50)	2	



FWD

5X4100-2320

E9

# REPAIR KIT

FIG. 36 REPAIR KIT

REF. NO.	PART NO.	DESCRIPTION	Q'TY	REMARKS
1	5X4-11630-00	PISTON ASSY (STD)	1	
2	5X4-11631-00-93	.PISTON (STD)	1	UR
	5X4-11631-00-94	.PISTON (STD)	1	UR
3	5X4-11611-00	.RING, Piston	1	
4	137-11633-00	.PIN, Piston	1	
5	4V2-11634-00	.CLIP, Piston Pin	2	
6	5X4-11630-10	PISTON ASSY (1ST O/S)	1	
7	5X4-11635-00	.PISTON (1ST O/S 0.25MM)	1	
8	5X4-11611-10	.RING, Piston	1	
9	137-11633-00	.PIN, Piston	1	
10	4V2-11634-00	.CLIP, Piston Pin	2	
11	5X4-11630-20	PISTON ASSY (2ND O/S)	1	
12	5X4-11636-00	.PISTON (2ND O/S 0.50MM)	1	
13	5X4-11611-20	.RING, Piston	1	
14	137-11633-00	.PIN, Piston	1	
15	4V2-11634-00	.CLIP, Piston Pin	2	
16	5X4-11630-30	PISTON ASSY (3RD O/S)	1	
17	5X4-11637-00	.PISTON (3RD O/S 0.75MM)	1	
18	5X4-11611-30	.RING, Piston	1	
19	137-11633-00	.PIN, Piston	1	
20	4V2-11634-00	.CLIP, Piston Pin	2	
21	5X4-11630-40	PISTON ASSY (4TH O/S)	1	
22	5X4-11638-00	.PISTON (4TH O/S 1.00MM)	1	
23	5X4-11611-40	.RING, Piston	1	
24	137-11633-00	.PIN, Piston	1	
25	4V2-11634-00	.CLIP, Piston Pin	2	
26	5X4-11650-00	CONNECTING ROD ASSY	1	
27	5X4-11651-00	.ROD, connecting	1	

E10



FIG. 36 REPAIR KIT

REF. NO.	PART NO.	DESCRIPTION	Q'TY	REMARKS
28	3M5-11681-00	•PIN, crank 1	1	
29	93310-522 <sup>J</sup> <del>4</del>	•BEARING, cylindrical	1	
30	90209-22071	•WASHER	2	
31	93310-216J2	•BEARING, cylindrical	1	
32	5X4-W0001-00	GASKET KIT	1	
33	93210-69434	•O-RING	1	
34	93211-24507	•O-RING	1	
35	5X4-11351-00	•GASKET, cylinder	1	
36	3R3-13621-00	•GASKET, valve seat	1	
37	3R3-14613-00	•GASKET, exhaust pipe	1	
38	90430-12038	•GASKET	1	
39	5X4-15451-00	•GASKET, crankcase cover	1	
40	93210-14104	•O-RING	1	
41	5X4-15455-00	•GASKET 1	1	

**E11**



# INDEX

NUMERICAL INDEX

PART NO.	REF. NO.	PART NO.	REF. NO.	PART NO.	REF. NO.
5X4-W0001-00	36-32	137-11633-00	36-19	3R3-13610-00	7- 1
5X4-W1132-00	1-18		36-24	3R3-13613-00	7- 2
5X4-W1133-00	1-21	4V2-11634-00	3-11	3R3-13616-00	7- 3
204-W1411-00	8- 8		36- 5	3R3-13621-00	7- 5
	32- 8		36-10		36-36
152-W1412-00	8-12		36-15	5X4-14101-00	8- 1
	32-12		36-20	5X4-14101-10	32- 1
737-W1414-00	8-13		36-25	3R6-14112-25	8-17
	32-13	5X4-11635-00	3- 8		32-17
3R3-W1415-00	8-28		36- 7	2K6-14115-00	8-21
	32-28	5X4-11636-00	3- 8		32-21
239-W1418-00	8- 3		36-12	363-14131-00	8-16
	32- 3	5X4-11637-00	3- 8		32-16
5X4-W1442-00	7-17		36-17	509-14136-00	8- 7
5X4-W2473-10	25- 1	5X4-11638-00	3- 8		32- 7
5X4-11111-00	1- 1		36-22	239-14141-50	8- 5
5X4-1131A-00	1-17	5X4-11650-00	36-26	239-14141-52	32- 5
4V2-1131E-00	1-14	5X4-11651-00	3- 4	193-14142-80	8-19
5X4-1131N-00	1-20		36-27		32-19
5X4-11311-00	1- 7	3M5-11681-00	3- 5	137-14143-52	8- 4
5X4-11351-00	1- 8		36-28	137-14143-54	8- 4
	36-35	5X5-11911-00	2-19	137-14143-56	8- 4
5X4-11400-00	3- 1	5X5-11912-00	2-18	137-14143-58	32- 4
5X4-11412-00	3- 2	5X4-11915-00	1-27	137-14143-60	32- 4
5X4-11422-00	3- 3	5X4-11921-01	2-10	137-14143-62	32- 4
5X4-11611-00	3- 9	5X4-11922-00	2- 7	313-14146-00	8-15
	36- 3	5X4-11931-00	2- 1		32-15
5X4-11611-10	3- 9	5X5-11937-00	1-25	483-14146-00	8- 6
	36- 8	5X4-11952-00	2-14		32- 6
5X4-11611-20	3- 9	5X4-11953-01	2-11	2K6-14147-00	8-20
	36-13	5X4-11990-00	2- 3		32-20
5X4-11611-30	3- 9	5X4-11992-00	1-29	3R3-14153-00	8-22
	36-18				32-22
5X4-11611-40	3- 9	5X4-11995-00	1-32	239-14172-20	8-27
	36-23	5X4-12422-00	5- 9		32-27
5X4-11630-00	36- 1	5X4-12428-00	5-10	483-14184-00	8-18
5X4-11630-10	36- 6	5X4-12436-00	5- 1		32-18
5X4-11630-20	36-11	4V2-12450-00	5- 3	310-14185-00	8- 2
5X4-11630-30	36-16	5X4-12459-00	5- 2		32- 2
5X4-11630-40	36-21	4V2-12460-01	6- 1	537-14186-00	8-25
5X4-11631-00-93	3- 8	4V2-12462-00	6- 2		32-25
	36- 2	5X4-12465-00	6-18	310-14187-00	8-23
5X4-11631-00-94	3- 8	4V2-12481-00	6- 5		32-23
	36- 2	5X4-12482-00	6- 6	239-14190-33	8-24
137-11633-00	3-10	5X4-12483-00	6- 7		32-24
	36- 4	4V2-12484-00	6- 9	239-14195-00	8-26
	36- 9	5X4-12484-00	6- 8		32-26
	36-14	5X4-13565-01	7- 6	493-14196-00	8-11

NUMERICAL INDEX

PART NO.	REF. NO.	PART NO.	REF. NO.	PART NO.	REF. NO.
493-14196-00	32-11	5X4-16371-00	13- 5	5X4-22110-00-35	20- 1
310-14197-00	8-14	3R3-16380-02	13-22	5X6-22123-00	20-42
	32-14	5X4-17121-01	14- 5	156-22127-00	20- 7
5X4-14411-00	7-12	5X4-17131-02	14- 3	2K6-22128-01	20- 8
5X4-14412-10-98	7-13	5X4-17151-01	14- 2		20-26
5X4-14452-00	7-14	5X4-17161-01	14- 4	5X6-22129-00	21-37
5X4-14453-01	7-15	5X4-17211-01	14- 9	5X4-2214F-00	20-56
1W1-14457-01	7-21	5X4-17221-01	14-14	5X4-22141-00	20-12
5X4-14457-00	7-27	5X4-17231-01	14-12		20-29
5X4-14458-00	7-18	5X4-17241-02	14-11	5X6-22147-00	20-19
5X4-14462-00	7-25	5X4-17251-01	14-10	5X6-22151-00	20-33
2X4-14468-00	7-19	5X4-17261-01	14-13	5X6-22151-10	20-10
5X4-14610-01	9- 1	5X4-17411-00	14- 1	5X6-22152-00	20-34
3R3-14613-00	9- 2	137-17417-00-05	12- 2	5X6-22159-00	20-32
	36-37	5X4-17421-00	14- 8	5X4-2217A-00	20-22
5X4-14753-00	9- 7	1G8-17461-10	14-29	5X4-2217F-00	20-39
565-14771-00	9- 4	1G8-17461-30	14-29	5X6-2217H-00	20-46
5X4-15111-00	10- 1	1W1-17461-20	14-29	5X6-22178-00	17- 3
4V4-15118-00	10-15	3R3-17471-00	14-25	5X6-2218A-00	20-55
5X4-15121-00	10- 3	5X4-18101-00	16- 1	4V4-22184-00	17- 4
3R3-15128-01	10-13	5X4-18111-00	16- 2	5X4-22199-00	20-15
1G8-15362-00	11- 7	1W6-18113-00	16- 4	5X4-22210-00	33- 1
2N4-15371-00	10- 9	3R3-18140-00	15- 7	5X4-22210-10	21- 1
5X4-15379-01	10- 2	5X4-18162-00	16- 3	5X4-22212-00	33-22
2K7-15383-00	14-27	1W1-18177-00	15- 9		35- 1
5X4-15411-00	11- 1	3R4-18185-00	15- 2	5X4-22212-10	21-22
5X4-15421-00	11-11	5X4-18511-00	15-10		35- 1
3R3-15431-00	11-14	5X4-18512-00	15-11	5X4-22212-20	35- 1
5X4-15451-00	11- 2	5X4-18513-00	15-12	5X5-22212-10	35- 1
	36-39	3R4-18531-00	15-14	5X6-22213-00	21-18
5X4-15455-00	11-12	3R4-18535-00	15-15		33-18
	36-41	5X4-18540-00	15- 1	5X6-22214-00	21-23
5X4-15618-00	12-18	3R4-18561-00	15- 5		33-23
5X4-15620-00	12-13	5X4-21110-00-33	17- 1	5X6-22216-00	21- 3
3R3-15621-01	12-14	288-21376-00	30- 2		33- 3
3R3-15641-00	12- 5	5X4-21419-01	17-11	4V4-22221-70	21-17
3R3-15651-01	12- 1	3R3-2148A-00	17- 5		33-17
248-15654-00	12- 7	5X6-21511-10	18- 1	5X6-22223-00	21-24
5X4-15660-00	12- 4	4V2-21543-00	18-20		33-24
3R3-15666-00	12- 9	3R3-21611-11	18- 8	5X6-22224-00	21-21
5X4-16111-00	13- 1	5X4-21620-00	18-13		33-21
5X4-16150-00	13- 4	5X4-21642-00	18-15	5X6-22226-00	21-12
5X4-16321-00	13- 7	5X4-21652-00	20-35		33-12
5X4-16324-00	13- 6	5X4-21711-10-98	19- 1	5X6-22228-00	21-10
1W1-16351-00	13- 8	5X4-21721-10-98	19- 5		33-10
1W1-16356-01	13-18	5X4-21737-10	7-26	5X4-22261-00	21-39
353-16357-00	13-16		19- 6	5X4-22262-00	21-40
1W1-16358-00	13-19	565-21746-00	18-14	5X4-22401-00	33- 2

NUMERICAL INDEX

NUMERICAL INDEX

PART NO.	REF. NO.	PART NO.	REF. NO.	PART NO.	REF. NO.	PART NO.	REF. NO.	PART NO.	REF. NO.	PART NO.	REF. NO.
5X4-22401-10	21- 2	122-23129-00	34-56	2K8-23158-L0	34-55	5X4-23472-01	22-26	275-25327-00	27-33	4V4-82911-00	31- 1
5X6-22409-00	21-11	4V2-23136-L0	23-31	4V2-23167-L0	23-53	5X4-23485-10	22-25	437-25330-00	27- 8	4V4-82913-00	31- 2
	33-11		34-31		34-53	5X4-23487-00	22-30	401-25351-00	27-10		31-10
5X6-22472-00	21- 7	5X4-23141-L0	23-16	5X4-2317E-00	22- 1	1W4-23489-L0	23-21	5X4-25355-00	27-11	4V4-82921-00	31- 9
	33- 7		23-45	5X4-2317F-00	22- 3		23-50	3R4-25367-00	27-31	3M2-83912-00	31- 3
5X6-22473-00	21- 6		34-16	4V2-23170-L0	23-13		34-21	5X4-25371-00	27-37	3M2-83922-00	31-11
	33- 6		34-45		23-42		34-50	5X4-25381-00	27-34	256-83936-00	30- 4
5X6-22475-00	21- 5	5X4-23141-10	35- 2		34-13	4V2-23491-00	22-14	5X4-25388-00	27-24	437-83936-00	18-16
	33- 5	5X4-23141-20	35- 2		34-42	5X4-23499-00	22- 8	5X4-25389-00	27-25		30- 3
5X6-22489-00	21- 8	1W4-23142-L0	23-17	4V2-23171-L0	23-10	5X4-23774-00	22-35	2X3-25394-00	27-19		31-18
	33- 8		23-46		23-39	5X4-24110-10	24- 1	3R4-25446-00	27-20	437-83936-10	31-20
5X6-22493-00	21- 9		34-17		34-10	5X6-2412F-00	24-26	3R4-25448-00	27-20	5X6-83976-00	31-17
	33- 9		34-46		34-39	1W1-24144-01	24- 3	3R4-25450-00	27-20	5X4-85500-10	4- 1
5X6-22497-00	21-14	3R4-23144-00	23- 7	3R4-23173-L0	23-11	3R3-24173-00	24- 8	3R4-25452-00	27-20	5X4-85510-10	4- 3
	33-14		23-36		23-40	3R4-24181-00	24-23	4V2-26111-01	28- 1	5X4-85520-10	4- 4
5X4-23102-L0	34- 1		34- 7		34-11	431-24181-00	19- 7	4V4-26241-00	28- 2	5X4-85540-10	30- 1
5X4-23102-M0	23- 1		34-36		34-40	1W1-24182-01	24- 2	4V4-26242-00	28- 3	5X4-85550-10	4- 2
5X4-23103-L0	34-30	1W4-23145-L0	23- 4	3R4-23181-L0	23-27	5X4-24183-00	24-24	4V4-26243-00	28- 4	2K7-85555-00	17-22
5X4-23103-M0	23-30		23-33		23-57	5X5-24184-00	24-29	4V4-26249-00	28- 5	90101-06291	26-12
5X4-23110-L0	23- 9		34- 4		34-27	5X4-24240-19	24-25	4V4-2628E-00	28- 9		27-12
	23-38		34-33		34-57	2K5-24500-00	24- 9	4V4-2628F-00	28-10	90101-06304	25- 4
	34- 9	4V2-23146-L0	23- 5			1A0-24512-00	24-11	4V4-2628G-00	28-14	90101-08340	23-63
	34-38		23-34			214-24512-00	24-10	4V4-26281-00	28- 7		34-63
5X4-23111-L0	23-22		34- 5	4V4-23190-L0	23-23	619-24535-00	24-12	4V4-26282-00	28- 8	90101-08428	29-16
	23-51		34-34		23-52	5X7-24611-00	24-15	5X4-26311-00	28-15		29-21
	34-22	3J2-23147-00	23-24		34-23	5X7-24612-00	24-16	500-26329-01	28-16	90101-08475	27-26
	34-51		23-54		34-52	509-24724-00	25- 5	5X4-26335-00	28-22	90102-08034	27-41
1W4-23114-L0	23-12		34-24	3R4-23191-M0	23-19			4V2-26341-01	28-17	90102-08047	27-40
	23-41		34-54		23-48	1W1-24738-00	25- 3	156-26347-00	28-28	90105-12096	29-23
	34-12	3R4-23148-00	23- 8		34-19	116-24741-00	25- 6	382-26372-01	28-18	90109-06410	31- 5
	34-41		23-37		34-48	5X6-24748-00	25- 7		28-23		31-13
5X4-23118-L0	23-18		34- 8	1W4-23192-L0	23-20	5X4-24771-10	25- 2	5X4-27211-00-90	29- 1	90109-06670	29-25
	23-47		34-37		23-49	2W6-25104-02	26-15	5X4-27231-00	29- 5	90109-08512	9-11
	34-18	1W4-23151-L0	23-14		34-20	1K7-25111-11-98	26- 1	5X4-27311-01	29-12	90109-10550	21-26
	34-47		23-43		34-49	146-25116-00	26- 3	5X6-27411-00	29-13	90109-10645	21-30
122-23119-01	23-28		34-14	4V2-23194-L0	23-29	322-25118-00	26-21	4V2-27412-01	29-14	90109-12646	20-49
	23-60		34-43		23-61	1W1-25121-02-98	26- 7	5X6-27421-00	29-18	90110-08038	27-21
	34-28	3R4-23153-00	23- 6		34-29	322-25130-00	26- 8	4V2-27422-01	29-19	90116-08055	1- 2
	34-60		23-35		34-61	3R4-25151-00	26-10	5X5-28100-10	17-21	90116-10278	1-10
4V2-23125-L0	23- 3		34- 6	5X4-23317-00	22-29	322-25155-00	26-11	2X4-28111A-00	17-24	90116-10279	1- 9
	23-32		34-35	5X4-23340-L0-33	23-62	137-25159-00	26-13	1W1-28135-10	17-23	90119-06022	24-17
	34- 3	4V2-23157-L0	23-15		34-62	3R4-25181-01	26-22	109-81328-11	4- 5	90123-08046	28-24
	23-44		23-44	5X4-23389-00	22- 2	4V5-25194-00	26-19	2K7-82310-10	30- 5	90149-06011	24-14
4V2-23126-L0	23- 2		34-15	5X4-23395-10	22-34	4V2-25304-00	27-15	3R0-82370-20	30- 9	90159-05011	13-10
	34- 2		34-44	1W1-23416-00	22-12	5X4-25311-00-98	27- 1	8E7-82370-11	30- 9	90170-14171	13-15
122-23129-00	23-26	2K8-23158-L0	23-25	4V2-23435-00-98	22-18	146-25315-00	27- 3	688-82535-00	28- 6	90170-16111	20-14
	23-56		23-55	1E6-23441-00-98	22-22	5X4-25317-00	27- 2	5X4-82590-00	31-19		20-31
	34-26		34-25	5X4-23462-00	22- 4	5X4-25321-00-98	27- 7	7F6-82591-00	17-19	90170-25294	21-19
										90175-06012	33-19
											7-20

NUMERICAL INDEX

PART NO.	REF. NO.	PART NO.	REF. NO.	PART NO.	REF. NO.
90175-06013	29-11	90201-20266	14- 6	90387-202A0	14-30
90176-08026	1- 4	90201-22555	14-17	90387-202F0	13- 2
90179-05376	2- 2	90201-22680	20- 6	90387-440G3	20-11
90179-08148	28-25		20-27	90430-05009	28-13
90179-10257	4-15	90201-237E8	22-19	90430-06016	11-10
90179-10272	12-20	90202-06010	24-13	90430-06166	1-16
90179-10292	1-11	90206-18072	21-15		5-12
90179-12373	13- 3		33-15	90430-12038	10-12
90179-16226	14-32	90209-06187	18- 3		36-38
90179-22330	22-21	90209-18135	14-19	90445-07340	10-10
90179-25033	22-13	90209-22071	3- 6	90445-09300	24-22
90185-06098	6-17		36-30	90445-11637	24-20
90185-08089	17-18	90214-09019	17-20	90446-09181	6- 3
	27-22	90215-14144	13-14	90446-11180	16- 7
90185-10110	21-32	90215-16127	14-31	90460-16192	6-11
90185-12061	20-51	90215-16198	20-47	90460-20190	6-10
90185-16103	27-35	90240-06040	29- 6	90460-49058	7-10
90201-06042	16- 8	90240-08012	28-26	90460-64065	7-11
90201-06052	7-28	90240-12090	12-17	90460-75020	7-16
	7-33	90243-08020	16- 6	90462-05005	7- 9
	18-23	90249-12008	29-10		30- 8
90201-06067	11-16	90249-16153	20-44	90465-14192	28-19
	20-21	90250-06013	15-13	90467-10008	6- 4
90201-06407	24-18	90280-03017	3-18		24-21
90201-06557	18- 2	90282-04036	15- 4	90467-20030	7-22
90201-06570	6-16	90282-05050	3-17	90468-26048	12- 6
90201-06571	18- 9	90339-13005	17- 2	90480-15064	6-12
	18-17	90340-12059	10-11	90480-22263	21-38
	19- 2	90380-12094	21-36	90480-22269	9- 8
	19- 8	90380-14095	20-53	90501-10245	29- 9
	22-31	90380-16077	20- 5	90501-12081	12-15
90201-08083	28-27	90381-08002	5- 6	90501-20361	13- 9
	31- 4	90384-16156	20-43	90501-29663	2-13
	31-12	90384-18157	21-13	90506-16036	26- 9
	1- 3		33-13		27- 9
90201-08087	17- 7	90386-22097	20- 3	90507-20030	9- 3
90201-08113	9-10		20-24	90508-14426	13-23
90201-08114	23-66	90387-072E7	6-13	90508-14516	16- 5
90201-08544	34-66	90387-07393	24-19	90508-20023	29-15
	17- 8	90387-081A3	9- 9		29-20
90201-08638	21-34	90387-083F0	27-44	90508-26427	12-10
90201-100E9	5- 7	90387-102F3	1-24	90508-26515	15- 8
90201-10614	20-52	90387-152F2	2-16	90508-29361	16-13
90201-120E6	21-33	90387-15535	26-20	90508-32438	29- 4
	17- 6	90387-163F6	20-25	90560-08213	2-12
90201-13202	13-24	90387-16781	10- 4	90560-11189	16-12
90201-14217	2-15	90387-173F8	27-13	90560-15116	26- 2
90201-151A7	14-15	90387-174F0	27-30	90560-17214	13-12
90201-15701	20-13				
90201-160F6	20-30				
	13-11				
90201-174E1	13-13				

NUMERICAL INDEX

PART NO.	REF. NO.	PART NO.	REF. NO.	PART NO.	REF. NO.
91316-04006	2- 8	92901-06100	18-19	93102-25044	27- 6
91316-06035	10- 6		18-22	93102-25258	3-16
91316-06040	10- 7		19- 4	93102-26042	14-24
91316-06050	10- 8		19-10	93102-28234	22-10
91401-20015	27-43		22-33	93103-12119	5- 5
	28-29		23-59	93103-28126	3-15
	29- 8		24- 5	93104-08040	2- 6
91401-20025	21-29		24-28	93104-14004	13-25
91401-25020	20-54		25- 9	93104-16074	1-22
	21-35		28-21	93107-30009	22-11
91401-40020	12-19		30- 7	93108-23009	27-39
91401-40030	20-48		34-59	93108-35004	20- 9
91830-21014	10- 5	92901-06200	11-18		20-28
	11- 6		13-20	93109-12012	16-10
91830-24016	1-12		29- 7	93109-20029	20-41
92501-06010	10-16	92901-06600	4-14	93109-22018	20- 4
92501-06012	24-27		6-15	93210-09192	1-26
92501-06015	7-31		7- 8	93210-14104	11- 8
	11-15		22-17		36-40
	18-18		24- 6	93210-14167	27-45
	19- 3			93210-23505	22-20
	19- 9	92901-08100	17-13	93210-27244	1-23
	22-32		23-64	93210-31114	27-32
92501-06020	4-12		34- 64	93210-35520	22- 9
	11-17	92901-08200	17-17	93210-37160	22-15
92501-06025	7-29		19-11	93210-69434	1- 5
	28-20		27-23		36-33
	30- 6	92901-08600	17-14	93211-24507	1- 6
92501-08010	10-14		27-46		36-34
92502-06016	21-41	92901-16600	27-36	93300-60801	2- 9
92506-06008	11- 9	92902-04100	4-10	93306-00105	5- 4
92506-06016	7-23	92902-05100	4- 7	93306-00106	15-16
92506-06020	5-15		8-10	93306-00422	15- 3
92506-06025	11- 3		32-10	93306-20203	26- 4
	11-13	92902-05200	22-28	93306-20205	26- 5
	5-14	92902-06100	18- 5	93306-20310	27- 4
92506-06030	11- 4		18- 7	93306-20316	27- 5
92506-06040	11- 5		18-11	93306-20529	3-14
92506-06065	11- 5		21-42	93306-30303	14-20
92701-06012	14-28		25-13	93306-30411	14-23
92901-04600	4-11		21-43	93306-30421	3-13
92901-05100	20-38	92902-06600	25-11	93310-216J2	3-12
92901-05200	20-36		20-17		36-31
92901-05600	2- 4	92902-08600	20-17		3- 7
	4- 8	92902-10600	21-28	93310-522K7	3- 7
92901-06100	4-13	92902-12200	29- 2		36-29
	7-30	92906-05100	31- 8	93311-31515	14-22
	7-32		31-16	93311-41530	14-21
	9- 6	92906-06600	7-24	93315-21429	13-26
		93101-17062	12-12		
		93102-20009	26- 6		

NUMERICAL INDEX

PART NO.	REF. NO.	PART NO.	REF. NO.	PART NO.	REF. NO.
93317-22023	20-40	94418-18318	27-14	98501-04005	33- 4
93317-22208	20- 2	94585-20104	27-28	98501-05012	20-37
	20-23	94685-20001	27-29	98501-05016	8- 9
93332-00008	22- 6	*	1-13		28-12
93332-00023	22- 7	95301-06600	13-21		32- 9
93340-21505	2-17	95301-06700	29-26	98502-04008	4- 9
93399-99905	27-38	95301-08700	27-27	98502-05030	4- 6
93399-99906	27-38	95302-10700	21-27	98506-05010	1-28
93410-17037	12-11	95311-06600	23-58	98506-05012	1-19
93410-20038	14- 7		34-58	98506-05016	1-30
93410-22039	14-18	95311-08600	23-65	98506-05020	31- 7
93410-30012	12- 8		34-65		31-15
93430-08006	5- 8	95601-05100	2- 5	98506-05025	1-31
93430-09038	29- 3	95601-06100	18-12	98701-05016	15- 6
93430-10016	16-14		18-24	98902-06018	24- 7
93440-15012	12- 3		31- 6	98906-05010	28-11
	14-16		31-14		
93440-28099	22- 5	95601-08100	29-17		
93440-51103	21-25		29-22		
	33-25	95602-06100	25-12		
93440-52106	21-20	95602-08100	17- 9		
	33-20		20-18		
93503-16010	13-17	95611-08100	27-42		
93507-32009	12-16	95801-06020	20-20		
93521-64032	2-20	95802-08045	20-16		
93603-14026	2-22	95811-08095	17-15		
93603-14179	2-21	95811-08190	17-16		
93604-10011	5-11	95811-10020	29-24		
93604-16092	13-27	95821-08035	22-23		
93604-30173	21-16	95821-08040	22-24		
	33-16	95826-06010	1-15		
93608-25150	16-11	95826-06020	5-13		
93700-06004	20-45	97301-06012	24- 4		
	20-50		25- 8		
	21-31	97301-06016	9- 5		
	27-16		18-10		
94111-18781	26-16		22-16		
94130-21731	26-16	97301-06020	7- 7		
94130-21732	26-16		18-21		
94140-18735	27-16		6-14		
94227-21123	26-17	97301-06030	6-14		
94230-21126	26-17	97302-06020	18- 6		
94235-18085	27-17	97302-06035	18- 4		
94237-18120	27-17		25-10		
94325-18043	27-18	97302-08050	17-10		
94330-18087	27-18	97321-06012	14-26		
94330-21084	26-18	97321-06020	16- 9		
94330-21088	26-18	97321-08020	17-12		
94416-21317	26-14	97602-03108	7- 4		
		97702-50514	22-27		
		98501-04005	21- 4		

## PARTS NAME INDEX

DESCRIPTION	REF. NO.
ADJUSTER SET .....	8-28
* .....	32-28
AIR SCREW SET .....	8-12
* .....	32-12
AIR VALVE COMP. ....	23-23
* .....	23-52
* .....	34-23
* .....	34-52
ARM, float .....	8-23
* .....	32-23
ARM, relay .....	20-22
AXLE, drive .....	14- 8
AXLE, main (14T) .....	14- 1
AXLE, wheel .....	26-22
* .....	27-34
BALL .....	2-20
* .....	12-16
* .....	13-17
BAND .....	17-19
* .....	23-20
* .....	23-21
* .....	23-49
* .....	23-50
* .....	34-20
* .....	34-21
* .....	34-49
* .....	34-50
BAND, rim (2.50-18) .....	27-18
BAND, rim (3.00-18) .....	27-18
BAND, rim (3.00-21) .....	26-18
* .....	26-18
BAND, switch cord .....	18-16
* .....	30- 3
* .....	30- 4
* .....	31-18
* .....	31-20
BAND, tank fitting 1 .....	24- 8
BAND, tool .....	30- 2
BAR, shift fork Guide 1 .....	15-14
BAR, shift fork Guide 2 .....	15-15
BAR, tension .....	27-37
BEARING .....	2-17
* .....	15- 3
* .....	15-16
* .....	22- 6
* .....	22- 7
* .....	27-38
* .....	27-38

## PARTS NAME INDEX

DESCRIPTION	REF. NO.
BEARING (B0060) .....	2- 9
BEARING (B6001) .....	5- 4
BEARING (B6202) .....	26- 5
BEARING (B6202RS) .....	26- 4
BEARING (B6203) .....	27- 5
BEARING (B6203RS) .....	27- 4
BEARING (B6205C4) .....	3-14
BEARING (B6303Z) .....	14-20
BEARING (B6304) .....	14-23
BEARING (B6304C3) .....	3-13
BEARING, cylindrical .....	3- 7
* .....	3-12
* .....	13-26
* .....	14-21
* .....	14-22
* .....	20- 2
* .....	20-23
* .....	20-40
* .....	36-29
* .....	36-31
BDDY, caP .....	24-15
BOLT .....	2- 8
* .....	6-14
* .....	7- 7
* .....	9- 5
* .....	9-11
* .....	10- 6
* .....	10- 7
* .....	10- 8
* .....	14-26
* .....	16- 9
* .....	17-10
* .....	17-12
* .....	18- 4
* .....	18- 6
* .....	18-10
* .....	18-21
* .....	20-49
* .....	21-26
* .....	21-30
* .....	22-16
* .....	23-63
* .....	24- 4
* .....	25- 4
* .....	25- 8
* .....	25-10
* .....	26-12
* .....	27-12
* .....	27-26

## PARTS NAME INDEX

DESCRIPTION	REF. NO.
BOLT .....	28-24
* .....	29-16
* .....	29-21
* .....	29-25
* .....	31- 5
* .....	31-13
* .....	34-63
BOLT, caP .....	23-22
* .....	23-51
* .....	34-22
* .....	34-51
BOLT, flange .....	1-15
* .....	5-13
* .....	17-15
* .....	17-16
* .....	20-16
* .....	20-20
* .....	22-23
* .....	22-24
* .....	29-24
BOLT, hexagon socket head .....	23-27
* .....	23-57
* .....	27-21
* .....	34-27
* .....	34-57
BOLT, stopPer .....	15- 9
BOLT, stud .....	1- 2
* .....	1- 9
* .....	1-10
BOLT, washer based .....	29-23
BOLT, with hole .....	27-40
* .....	27-41
BOLT, with washer .....	24-17
BOOT .....	23-19
* .....	23-48
* .....	34-19
* .....	34-48
BOSS, clutch .....	13- 5
BOSS, kick crank .....	12-14
BOSS, lever .....	1-25
BRACKET, engine 2 .....	17-11
BRACKET, footrest 1 .....	29-14
BRACKET, footrest 2 .....	29-19
BRACKET, seat .....	24-26
* .....	25- 3
* .....	25- 7
BRAKE SHOE COMP. ....	26- 8



## PARTS NAME INDEX

DESCRIPTION	REF. NO.
BRAKE SHOE COMP. ....	27- 8
BREATHER .....	10- 9
BUMP, stop .....	21- 9
*	33- 9
BUSH .....	17- 4
*	20- 3
*	20-24
BUSH 1 .....	20-42
BUSH, bimetal formed .....	20-43
*	21-13
*	33-13
BUSH, rear shock absorber .....	21- 3
*	33- 3
BUSH, shock absorber lower .....	21-12
*	33-12
BUSH, solid .....	5- 6
*	20- 5
*	20-53
*	21-36
C.D.I. MAGNETO ASSY .....	4- 1
C.D.I. UNIT ASSY .....	30- 1
CABLE, brake .....	28-17
CABLE, clutch .....	28-22
CABLE, throttle 1 .....	28-15
CAMSHAFT .....	26-10
*	27-10
CAP, case .....	21- 7
*	33- 7
CAP, cleaner case 1 .....	7-13
CAP, gear .....	28-10
CAP, grip lower .....	28- 8
CAP, grip upper .....	28- 7
CAP, radiator .....	6- 2
CAP, rubber .....	28-16
CARBURETOR ASSY 1 .....	8- 1
*	32- 1
CASE, air cleaner 1 .....	7-12
CHAIN, drive (DID520DS 104L) .....	27-28
CIRCLIP .....	5- 8
*	12- 3
*	12- 8
*	12-11
*	14- 7
*	14-16
*	14-18
*	16-14
*	21-20
*	21-25

## PARTS NAME INDEX

DESCRIPTION	REF. NO.
CIRCLIP .....	22- 5
*	29- 3
*	33-20
*	33-25
CLAMP .....	4- 5
*	7- 9
*	28-19
*	30- 8
CLAMP, hose .....	6-10
*	6-11
*	7-10
*	7-11
*	7-16
CLIP .....	6- 4
*	7-22
*	12- 6
*	24-21
CLIP, Piston Pin .....	3-11
*	36- 5
*	36-10
*	36-15
*	36-20
*	36-25
COIL, charge .....	4- 4
COLLAR .....	1-24
*	2-16
*	6-13
*	9- 9
*	10- 4
*	13- 2
*	14-30
*	20-11
*	20-25
*	24-19
*	26-20
*	27-13
*	27-30
*	27-44
CONNECTING ROD ASSY .....	36-26
COVER .....	21-17
*	33-17
COVER, ball race 2 .....	22-12
COVER, crankcase 1 .....	11- 1
COVER, crankcase 2 .....	11-11
COVER, crankcase 3 .....	11-14
COVER, dust .....	20-46
COVER, dust seal .....	23- 8
*	23-37

## PARTS NAME INDEX

DESCRIPTION	REF. NO.
COVER, dust seal .....	34- 8
*	34-37
COVER, handle lever 1 .....	28-18
*	28-23
COVER, housing .....	5- 9
COVER, hub dust .....	26-21
*	27-31
COVER, kick lever .....	12-18
COVER, Plate .....	27-33
COVER, semi-double seat .....	25- 2
COVER, shift Pedal .....	16- 4
COVER, side 1 .....	19- 1
COVER, side 2 .....	19- 5
COVER, thrust 1 .....	20- 8
*	20-26
COVER, thrust 2 .....	21-37
CRANK 1 .....	3- 2
CRANK 2 .....	3- 3
CRANKCASE 1 .....	10- 1
CRANKCASE 2 .....	10- 3
CRANKSHAFT ASSY .....	3- 1
CROWN, handle .....	22-18
CYLINDER .....	22- 8
CYLINDER COMP., front fork .....	23-13
*	23-42
*	34-13
*	34-42
CYLINDER 1 .....	1- 7
DAMPER 1 .....	20-56
DAMPER, locating 1 .....	19- 7
*	24-23
DAMPER, locating 2 .....	24- 2
DAMPER, locating 3 .....	24-24
DAMPER, locating 4 .....	24-29
DAMPER, radiator .....	6-18
DAMPER, seat .....	25- 5
DAMPER, sub tank .....	21-39
DUMPER SUB ASSY .....	21- 2
*	33- 2
ELEMENT, air cleaner .....	7-17
EMBLEM .....	7-26
*	19- 6
*	22-34
EMBLEM, rear arm .....	20-55
EXHAUST PIPE ASSY 1 .....	9- 1
FENDER, front .....	18- 1
FENDER, rear .....	18- 8
FLANGE, spacer .....	27- 3

## PARTS NAME INDEX

DESCRIPTION	REF. NO.
FLANGE, sPacer 2	26- 3
FLOAT	8- 2
*	32- 2
FOOTREST 1	29-13
FOOTREST 2	29-18
FORK, Governor	2- 7
FORK, shift 1	15-10
FORK, shift 2	15-11
FORK, shift 3	15-12
FRAME COMP	17- 1
FRONT FORK ASSY (L.H)	23- 1
*	34- 1
FRONT FORK ASSY (R.H)	23-30
*	34-30
FUEL COCK ASSY 1	24- 9
FUEL TANK COMP.	24- 1
GASKET	1-16
*	5-12
*	10-12
*	11-10
*	23-12
*	23-25
*	23-41
*	23-55
*	24-10
*	28-13
*	34-12
*	34-25
*	34-41
*	34-55
*	36-38
GASKET KIT	36-32
GASKET 1	11-12
*	36-41
GASKET, caP	24-16
GASKET, crankcase cover	11- 2
*	36-39
GASKET, cylinder	1- 8
*	36-35
GASKET, drain Plug	23-26
*	23-56
*	34-26
*	34-56
GASKET, exhaust Pipe	9- 2
*	36-37
GASKET, float chamber	8-18
*	32-18
GASKET, holder	1-20

## PARTS NAME INDEX

DESCRIPTION	REF. NO.
GASKET, housing cover 2	5-10
GASKET, valve seat	7- 5
*	36-36
GAUGE, air	17-24
GEAR, bevel	28- 9
GEAR, drive (20T)	5- 1
GEAR, Governor	2-11
GEAR, imPeller shaft (31T)	5- 2
GEAR, kick (25T)	12- 5
GEAR, Primary drive	13- 1
GEAR, sProcket idle (25T)	12- 1
GEAR, 1st wheel (32T)	14- 9
GEAR, 2nd Pinion (14T)	14- 5
GEAR, 2nd wheel (26T)	14-14
GEAR, 3rd wheel (24T)	14-12
GEAR, 3rd/4th Pinion (16T,20T)	14- 3
GEAR, 4th wheel (25T)	14-11
GEAR, 5th Pinion (19T)	14- 2
GEAR, 5th wheel (21T)	14-10
GEAR, 6th Pinion (20T)	14- 4
GEAR, 6th wheel (20T)	14-13
GRAPHIC SET	24-25
GRIP (L.H)	28- 2
GRIP (R.H)	28- 3
GROMMET	6-12
*	9- 8
*	21-38
*	28- 6
GUARD, flap	18-15
GUIDE	7-18
GUIDE, cable	22- 2
GUIDE, sPring 1	21-23
*	33-23
GUIDE, sPring 2	21-21
*	33-21
HANDLEBAR	28- 1
HEAD, cylinder 1	1- 1
HOLDER	10-13
*	10-15
HOLDER 1	1-14
*	1-18
HOLDER 2	1-21
HOLDER, axle	23-53
*	34-53
HOLDER, cable	22-29
HOLDER, damPer	24- 3
HOLDER, handle uPPer	22-22
HOLDER, kick Gear	12- 7

## PARTS NAME INDEX

DESCRIPTION	REF. NO.
HOLDER, lever lower 1	31- 2
*	31-10
HOLDER, lever 1	31- 1
HOLDER, lever 2	31- 9
HOLDER, sub tank	21-40
HOSE	6- 3
*	10-10
*	16- 7
*	24-20
*	24-22
HOUSING 2	1-29
HOUSING, seal ring	21- 6
*	33- 6
HUB, front	26- 1
HUB, rear	27- 1
IGNITION COIL ASSY	30- 5
IMPELLER SHAFT ASSY	5- 3
INNER TUBE COMP.1	23- 9
*	23-38
*	34- 9
*	34-38
JET, main (#260)	8- 4
JET, main (#270)	8- 4
JET, main (#280)	8- 4
JET, main (#290)	32- 4
JET, main (#300)	32- 4
JET, main (#310)	32- 4
JET, Pilot (#80.0)	8-19
*	32-19
JOINT	22-14
JOINT, air cleaner 1	7-15
JOINT, cable	28-28
JOINT, carburetor	7- 6
JOINT, chain	27-29
KEY, straight	3-17
*	15- 4
KEY, woodruff	3-18
KICK AXLE ASSY	12- 4
KICK CRANK ASSY	12-13
LEVER	2- 1
LEVER 1	31- 3
LEVER 2	31-11
LEVER, camshaft	27-11
LEVER, camshaft 1	26-11
METAL, slide 1	23- 3
*	23-32
*	34- 3
*	34-32

## PARTS NAME INDEX

DESCRIPTION	REF. NO.
MUD GUARD COMP. ....	18-13
NEEDLE SET (6F21) .....	8- 3
* .....	32- 3
NEEDLE VALVE ASSY .....	8-24
* .....	32-24
NIPPLE, grease .....	20-45
* .....	20-50
* .....	21-31
NOZZLE, main .....	8- 5
* .....	32- 5
NUT .....	1-11
* .....	2- 2
* .....	4-15
* .....	12-20
* .....	13- 3
* .....	13-15
* .....	13-21
* .....	14-32
* .....	20-14
* .....	20-31
* .....	21-19
* .....	21-27
* .....	22-13
* .....	22-21
* .....	23-58
* .....	23-65
* .....	27-27
* .....	28-25
* .....	29-26
* .....	33-19
* .....	34-58
* .....	34-65
NUT, adjusting .....	21-14
* .....	33-14
NUT, crown .....	1- 4
NUT, self-locking .....	6-17
* .....	17-18
* .....	20-51
* .....	21-32
* .....	27-22
* .....	27-35
NUT, u .....	2- 5
* .....	17- 9
* .....	18-12
* .....	18-24
* .....	20-18
* .....	25-12
* .....	27-42
* .....	29-17
* .....	29-22
* .....	31- 6

## PARTS NAME INDEX

DESCRIPTION	REF. NO.
NUT, u .....	31-14
NUT, wing .....	7-20
* .....	29-11
O-RING .....	1- 5
* .....	1- 6
* .....	1-23
* .....	1-26
* .....	8-20
* .....	11- 8
* .....	22- 9
* .....	22-15
* .....	22-20
* .....	23-24
* .....	23-54
* .....	24-11
* .....	27-32
* .....	27-45
* .....	32-20
* .....	34-24
* .....	34-54
* .....	36-33
* .....	36-34
* .....	36-40
OIL SEAL .....	1-22
* .....	2- 6
* .....	3-15
* .....	3-16
* .....	5- 5
* .....	12-12
* .....	13-25
* .....	14-24
* .....	16-10
* .....	20- 4
* .....	20- 9
* .....	20-28
* .....	20-41
* .....	22-10
* .....	22-11
* .....	23- 4
* .....	23-33
* .....	26- 6
* .....	27- 6
* .....	27-39
* .....	34- 4
* .....	34-33
PACKING .....	28-14
PAD, seat .....	25- 6

## PARTS NAME INDEX

DESCRIPTION	REF. NO.
PEDAL, brake .....	29- 1
PEDAL, shift .....	16- 2
* .....	16- 3
PILOT JET, air .....	8-27
* .....	32-27
PIN .....	16- 6
* .....	20-44
* .....	29-10
PIN, clevis .....	12-17
* .....	28-26
* .....	29- 6
PIN, cotter .....	12-19
* .....	20-48
* .....	20-54
* .....	21-29
* .....	21-35
* .....	27-43
* .....	28-29
* .....	29- 8
PIN, crank 1 .....	3- 5
* .....	36-28
PIN, dowel .....	1-12
* .....	2-21
* .....	2-22
* .....	5-11
* .....	10- 5
* .....	11- 6
* .....	13-27
* .....	16-11
* .....	21-16
* .....	33-16
PIN, float .....	8-25
* .....	32-25
PIN, Piston .....	3-10
* .....	36- 4
* .....	36- 9
* .....	36-14
* .....	36-19
* .....	36-24
PIN, straight .....	15-13
PIPE .....	8-11
* .....	8-14
* .....	32-11
* .....	32-14
PIPE 1 .....	6- 5
PIPE 2 .....	6- 6
PIPE 3 .....	6- 7
PIPE 4 .....	6- 8

## PARTS NAME INDEX

DESCRIPTION	REF. NO.
PIPE 4	6- 9
PISTON (STD)	3- 8
*	3- 8
*	36- 2
*	36- 2
PISTON (1ST O/S 0.25MM)	3- 8
*	36- 7
PISTON (2ND O/S 0.50MM)	3- 8
*	36-12
PISTON (3RD O/S 0.75MM)	3- 8
*	36-17
PISTON (4TH O/S 1.00MM)	3- 8
*	36-22
PISTON ASSY (STD)	36- 1
PISTON ASSY (1ST O/S)	36- 6
PISTON ASSY (2ND O/S)	36-11
PISTON ASSY (3RD O/S)	36-16
PISTON ASSY (4TH O/S)	36-21
PISTON, front fork	23-10
*	23-39
*	34-10
*	34-39
PLATE	2-14
*	8- 6
*	8-15
*	22-35
*	32- 6
*	32-15
PLATE 1	18-20
PLATE, bearing cover	14-27
PLATE, brake shoe	26- 7
*	27- 7
PLATE, clutch 1	13- 6
PLATE, cover	14-25
PLATE, element fitting	7-19
PLATE, friction	13- 7
PLATE, number	22-25
PLATE, Pressure 1	13- 8
PLATE, Push	13-19
PLATE, side 1	15- 5
PLATE, thrust 1	1-27
PLUG	17- 2
PLUG CAP ASSY	30- 9
*	30- 9
PLUG, drain	23-28
*	23-60
*	34-28
*	34-60

## PARTS NAME INDEX

DESCRIPTION	REF. NO.
PLUG, oil level	11- 7
PLUG, screw	8-21
*	32-21
PLUG, sPark (CHAMPION N-84)	1-13
PLUG, straight screw	10-11
PRIMARY DRIVEN GEAR COMP.	13- 4
PROTECTOR	20-35
*	22-26
PROTECTOR, chain	20-19
PULLER, chain 1	27-24
PULLER, chain 2	27-25
PULLER, rotor	17-22
PUSH LEVER ASSY	13-22
PUSH ROD ASSY	2- 3
RADIATOR ASSY	6- 1
REAR ARM COMP.	20- 1
REED VALVE ASSY	7- 1
REED, valve	7- 2
RETAINER	2-19
RETAINER, weight	2-18
RIM (1.60-21)	26-14
RIM (1.85-18)	27-14
RING, leaf	28- 5
RING, Piston	3- 9
*	3- 9
*	3- 9
*	3- 9
*	3- 9
*	23-15
*	23-44
*	34-15
*	34-44
*	36- 3
*	36- 8
*	36-13
*	36-18
*	36-23
RING, snap	23- 6
*	23-35
*	34- 6
*	34-35
ROD, brake	29- 5
ROD, connecting	3- 4
*	36-27
ROD, connecting 1	20-39
ROD, Push	21- 8
*	33- 8
ROD, Push 1	13-18

## PARTS NAME INDEX

DESCRIPTION	REF. NO.
ROD, Push 2	13-16
ROTOR ASSY	4- 2
SCREW	24-14
SCREW, bind	24- 7
*	28-11
SCREW, boot band	23-29
*	23-61
*	34-29
*	34-61
SCREW, flat head	14-28
*	15- 6
SCREW, lever fitting	24-12
SCREW, Pan head	1-19
*	1-28
*	1-30
*	1-31
*	4- 6
*	4- 9
*	4-12
*	5-14
*	5-15
*	7-23
*	7-29
*	7-31
*	8- 9
*	10-14
*	10-16
*	11- 3
*	11- 4
*	11- 5
*	11- 9
*	11-13
*	11-15
*	11-17
*	18-18
*	19- 3
*	19- 9
*	20-37
*	21- 4
*	21-41
*	22-32
*	24-27
*	28-12
*	28-20
*	30- 6
*	31- 7
*	31-15
*	32- 9

## PARTS NAME INDEX

DESCRIPTION	REF. NO.
SCREW, Pan head	33- 4
SCREW, Pan head with washer	7- 4
SCREW, tapping	22-27
SCREW, with washer	13-10
SEAL	7-14
*	7-21
*	7-25
*	7-27
SEAL, camshaft	26-13
SEAL, crankcase	10- 2
SEAL, dust	21- 5
*	23- 7
*	23-36
*	33- 5
*	34- 7
*	34-36
SEAL, Guard	20-10
*	20-33
*	20-34
SEAL, housing	1-32
SEAL, mud Guard	18-14
SEAL, steering	22- 4
SEAT, sPring	8- 7
*	32- 7
SEAT, sPring lower	21-24
*	33-24
SEAT, sPring uPPer	21-18
*	23-17
*	23-46
*	33-18
*	34-17
*	34-46
SEGMENT	15- 2
SEMI-DOUBLE SEAT ASSY	25- 1
SHAFT	17- 5
SHAFT, Governor	2-10
SHAFT, Pivot	20-12
*	20-29
SHIFT CAM ASSY	15- 1
SHIFT SHAFT ASSY	16- 1
SHIM (0.3T)	20- 7
SHIM (0.5T)	12- 2
SHOCK ABSORBER ASSY, rear	21- 1
*	33- 1
SILENCER, exhaust	9- 7
SPACER	2-12
*	12- 9
*	13-12

## PARTS NAME INDEX

DESCRIPTION	REF. NO.
SPACER	16-12
*	23-18
*	23-47
*	26- 2
*	34-18
*	34-47
SPACER, bead	26-19
*	27-19
SPACER, bearing	27- 2
SPANNER, sPecial	17-23
SPINDLE, taPer	23-11
*	23-40
*	34-11
*	34-40
SPOKE SET, front	26-15
SPOKE SET, rear	27-15
SPRING	21-22
*	33-22
*	35- 1
*	35- 1
*	35- 1
*	35- 1
SPRING, comPression	2-13
*	12-15
*	13- 9
*	29- 9
SPRING, front fork	23-16
*	23-45
*	34-16
*	34-45
*	35- 2
*	35- 2
SPRING, rebound	23-14
*	23-43
*	34-14
*	34-43
SPRING, tension	9- 3
*	26- 9
*	27- 9
SPRING, throttle valve	8-16
*	32-16
SPRING, torsion	12-10
*	13-23
*	15- 8
*	16- 5
*	16-13
*	29- 4

## PARTS NAME INDEX

DESCRIPTION	REF. NO.
SPRING, torsion	29-15
*	29-20
SPROCKET, drive (11T)	14-29
SPROCKET, drive (12T)	14-29
SPROCKET, drive (13T)	14-29
SPROCKET, driven (46T)	27-20
SPROCKET, driven (48T)	27-20
SPROCKET, driven (50T)	27-20
SPROCKET, driven (52T)	27-20
STAND, side	29-12
STARTER PLUNGER SET	8-13
*	32-13
STATOR ASSY	4- 3
STAY	22- 1
STAY 2	22- 3
STAY, muffler 1	9- 4
STAY, Plate	22-30
STOPPER LEVER ASSY	15- 7
STOPPER, reed valve	7- 3
SUPPport, bump stop	21-10
*	33-10
SUPPport, chain	20-15
SWITCH, handle 1	31-17
TENSIONER	17- 3
THROTTLE SCREW SET	8- 8
*	32- 8
TIRE (110/90-18 61M)	27-16
TIRE (3.00-21)	26-16
*	26-16
TIRE (4.00-18)	27-16
TOOL KIT	17-21
TUBE (2.75-21)	26-17
TUBE (3.00-21)	26-17
TUBE (3.50-18)	27-17
TUBE (3.75-18)	27-17
TUBE, outer 1	23- 2
*	34- 2
TUBE, outer 2	23-31
*	34-31
TUBE, throttle Guide	28- 4
UNDER BRACKET COMP.	23-62
*	34-62
UPPER BRACKET SUB ASSY	21-11
*	33-11
VALVE 1	1-17
VALVE, throttle 1	8-17
*	32-17
WASHER	3- 6

## PARTS NAME INDEX

DESCRIPTION	REF. NO.
WASHER	14-19
*	18- 3
*	21-43
*	22-28
*	25-11
*	29- 2
*	36-30
WASHER, claw	17-20
WASHER, lock	13-14
*	14-31
*	20-47
WASHER, main Jet	8-22
*	32-22
WASHER, needle valve	8-26
*	32-26
WASHER, oil seal	23- 5
*	23-34
*	34- 5
*	34-34
WASHER, Plain	11-18
*	13-20
*	17-17
*	19-11
*	20-36
*	27-23
*	29- 7
WASHER, Plate	1- 3
*	2- 4
*	2-15
*	4- 8
*	4-11
*	4-14
*	5- 7
*	6-15
*	6-16
*	7- 8
*	7-24
*	7-28
*	7-33
*	9-10
*	11-16
*	13-11
*	13-13
*	13-24
*	14- 6
*	14-17
*	16- 8
*	17- 6
*	17- 7

## PARTS NAME INDEX

DESCRIPTION	REF. NO.
WASHER, Plate	17- 8
*	17-14
*	18- 2
*	18- 9
*	18-17
*	18-23
*	19- 2
*	19- 8
*	20- 6
*	20-13
*	20-17
*	20-21
*	20-27
*	20-30
*	20-52
*	21-28
*	21-33
*	21-34
*	22-17
*	22-19
*	22-31
*	23-66
*	24- 6
*	24-13
*	24-18
*	27-36
*	27-46
*	28-27
*	31- 4
*	31-12
*	34-66
WASHER, Plate (1.0T)	14-15
WASHER, sPring	4- 7
*	4-10
*	4-13
*	7-30
*	7-32
*	8-10
*	9- 6
*	17-13
*	18- 5
*	18- 7
*	18-11
*	18-19
*	18-22
*	19- 4
*	19-10
*	20-38
*	21-42

## PARTS NAME INDEX

DESCRIPTION	REF. NO.
WASHER, sPring	22-33
*	23-59
*	23-64
*	24- 5
*	24-28
*	25- 9
*	25-13
*	28-21
*	30- 7
*	31- 8
*	31-16
*	32-10
*	34-59
*	34-64
WASHER, sPring lower	20-32
WASHER, wave	21-15
*	33-15
WIRE HARNESS ASSY	31-19