



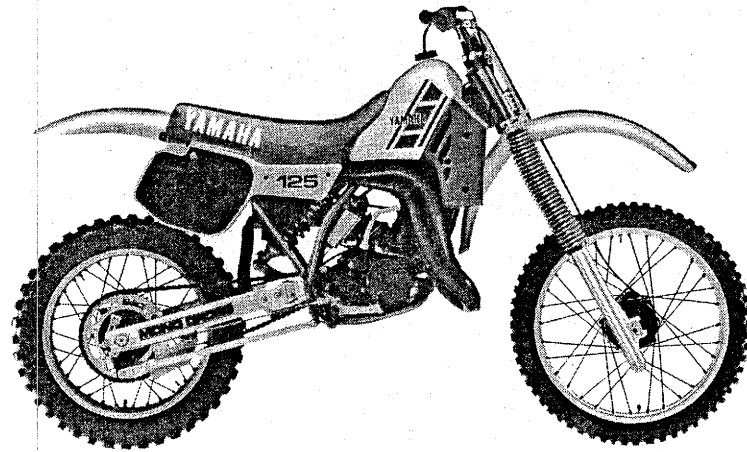
YAMAHA

PARTS CATALOGUE

YZ125'84 (43M)

1443M-300E2

A2



A3

FOREWORD

This Parts Catalogue is related to the parts in use for the Yamaha YZ125 '84 (43M).
When you are ordering replacement parts for the YZ125 '84 (43M), refer to this Parts Catalogue and quote both part numbers and part names correctly.

1. Modifications or additions which have been made after issue of the Parts Catalogue will be announced in the Yamaha Parts News.
It is advisable that according to the Yamaha Parts News you make necessary corrections to the Parts Catalogue on hand to keep it up-to-date.

2. Abbreviations

The following abbreviations are used in this Parts Catalogue.

- U.R. Use size (thickness) and/or number as required.
- U.N. Use as many as you need.
- A.P. Alternate Parts
- L.M. Local Made
- F# Frame No. (Applicable machine No.)

3. The parts marked with (*) in the parts number column of this Catalogue are not supplied with by Yamaha, those have to be found locally.
4. Parts, which are to be supplied in the form of assemblies, are listed with an indentation of one letter's space, and a dot (.) is put against the name of each part.

EXAMPLE CARBURETOR ASS'Y
 . JET, pilot
 . NOZZLE, main

5. Indication of No. of constituent parts for assembly

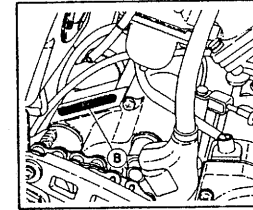
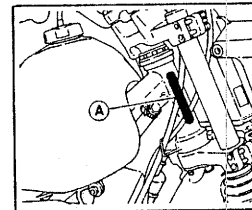
The numeral appearing to the right of each constituent part under the description indicates the quantity of such parts for each individual assembly unit.

EXAMPLE

Part No.	Description	Q'ty	Remarks
2F5-83310-60	FRONT FLASHER LIGHT ASS'Y	2	
115-83311-60	. BULB (6V-18W)	1	
1M1-83309-60	. REFLECTOR	1	

6. Initial Serial No. and Color Code

(A) Frame Serial No.	43M-000101 and following
(B) Engine Serial No.	43M-000101 and following



Color Code	Color Name	Abbreviate
36	Clean White	W

7. Applicable colors of graphics are represented in the "Remarks" column by the letter(s) appropriately picked out of the full word(s) showing such colors.

EXAMPLE

Part No.	Description	Q'ty	Remarks
2N4-24110-00-X5	FUEL TANK COMP.	1	MAXIM RED
3J1-24240-10	. GRAPHIC, fuel tank set	1	for MXR

8. This Parts Catalogue contains modified specs as opposed to the preceding one.
The modified items are asterisked (*) before their respective Ref. Nos. For the convenience of reference, Table of comparison between old and new is provided at the end of the text.

CONTENTS

ENGINE

Cylinder	B2 ~ B3
Governor	B4
Crankshaft · Piston	B5
Water Pump	B6
Radiator · Hose	B7
Intake	B8 ~ B9
Carburetor	B10
Exhaust	B11
Crankcase	B12
Crankcase Cover 1	B13
Starter	B14
Clutch	B15
Transmission	C2 ~ C3
Shift Cam · Fork	C4
Shift Shaft	C5

CHASSIS

Frame	C6
Fender	C7
Side Cover	C8
Rear Arm	C9 ~ C10
Rear Suspension	C11
Steering	C12
Front Fork	C13 ~ C15
Fuel Tank	D2
Seat	D3
Front Wheel	D4 ~ D5
Rear Wheel	D6 ~ D7
Steering Handle · Cable	D8

Stand · Footrest	D9
Generator	D10
Handle Switch · Lever	D11
Electrical 1	D12

ALTERNATE PARTS

Alternate (Chassis)	D13
---------------------------	-----

REPAIR KIT

Repair Kit	D14 ~ D15
------------------	-----------

TABLE OF COMPARISON

TABLE OF COMPARISON	E2
---------------------------	----

INDEX

Numerical Index	L1 ~ L3
Parts Name Index	M1 ~ M5

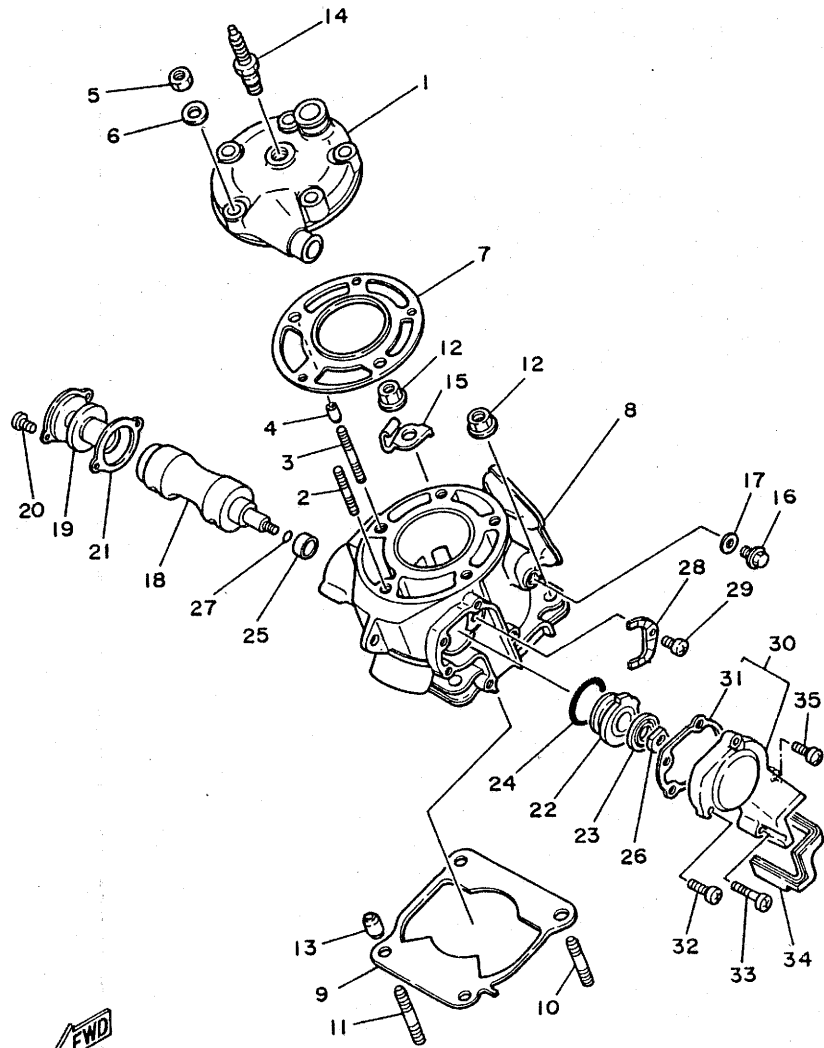


FIG. 1 CYLINDER

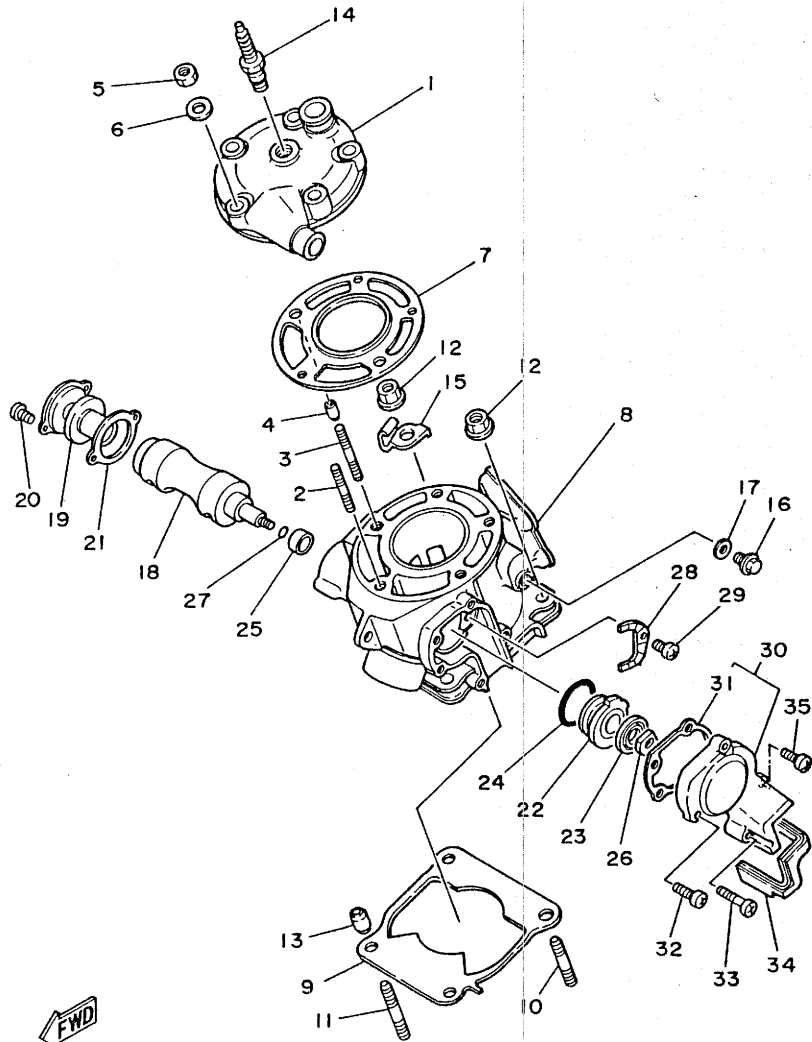
REF. NO.	PART NO.	DESCRIPTION	Q'TY	REMARKS
1	39W-11111-00	HEAD, cylinder 1	1	
2	90116-08394	BOLT, stud	3	
3	90116-08392	BOLT, stud	2	
4	91810-03014	PIN, dowel	2	
5	95311-08600	NUT	5	
6	90201-08649	WASHER, plate	5	
7	39W-11181-01	GASKET, cylinder head 1	1	
8	39W-11311-00	CYLINDER 1	1	
9	24X-11351-00	GASKET, cylinder	1	
10	90116-08318	BOLT, stud	2	
11	90116-08409	BOLT, stud	2	
12	90179-08246	NUT	4	
13	91810-03014	PIN, dowel	2	
14	*	PLUG, spark (CHAMPION QN-84)	1	UR LM
	*	PLUG, spark (CHAMPION N-84)	1	UR LM
15	24X-1131E-00	HOLDER 1	1	
16	95826-06010	BOLT, flange	1	
17	90430-06192	GASKET	1	
18	39W-1131A-01	VALVE 1	1	
19	39W-W1132-00	HOLDER 1	1	
20	98506-05012	SCREW, pan head	2	
21	5X4-1131N-00	GASKET, holder	1	
22	5X4-W1133-00	HOLDER 2	1	
23	93104-16074	OIL SEAL	1	
24	93210-27244	O-RING	1	
25	90387-102F3	COLLAR	1	
26	5X5-11937-00	BOSS, lever	1	
27	93210-09192	O-RING	1	



39W100-4010

FIG. 1 CYLINDER

REF. NO.	PART NO.	DESCRIPTION	Q'TY	REMARKS
28	5X4-11915-00	PLATE, thrust 1	1	
29	98506-05010	SCREW, pan head	1	
30	24X-11992-00	HOUSING 2	1	
31	5X4-11993-00	.PACKING	1	
32	98506-05018	SCREW, pan head	2	
33	98506-05025	SCREW, pan head	1	
34	5X4-11995-00	SEAL, housing	1	
35	98506-05016	SCREW, pan head	1	



39W100-4010

B3

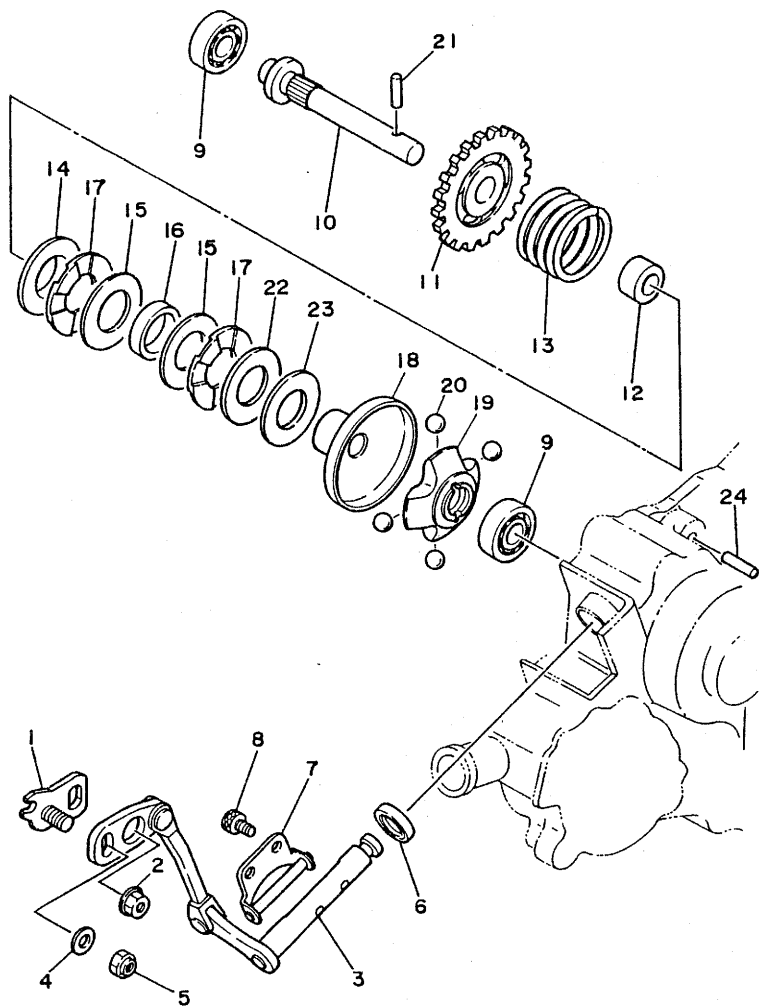


FIG. 2 GOVERNOR

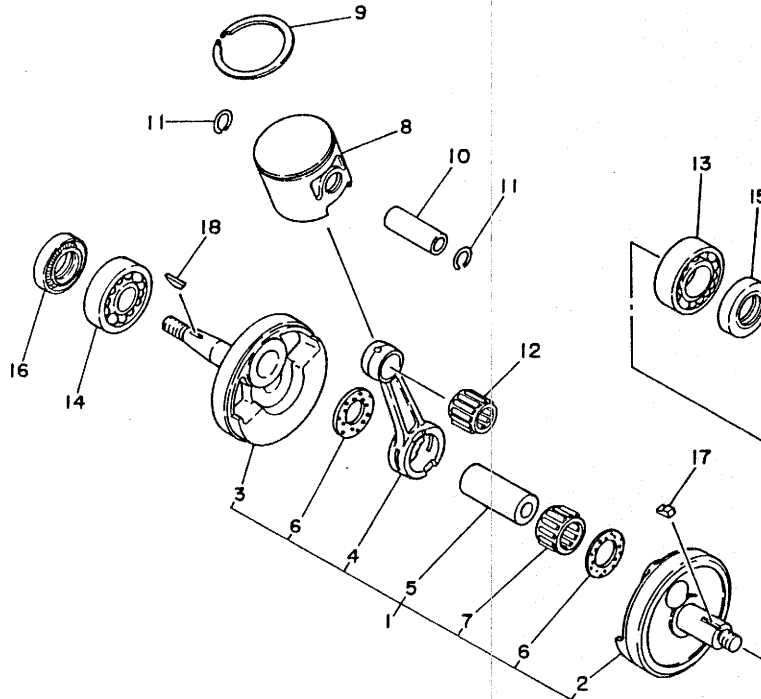
REF. NO.	PART NO.	DESCRIPTION	Q'TY	REMARKS
1	5X4-11931-00	LEVER	1	
2	90179-05376	NUT	1	
3	24X-11990-00	PUSH ROD ASSY	1	
4	92901-05600	WASHER, plate	1	
5	95601-05100	NUT, u	1	
6	93104-08040	OIL SEAL	1	
7	5X4-11922-00	FORK, governor	1	
8	91316-04006	BOLT	2	
9	93300-60801	BEARING (B0060)	2	
10	5X4-11921-01	SHAFT, governor	1	
11	24X-11953-00	GEAR, governor	1	
12	90560-08213	SPACER	1	
13	90501-30742	SPRING, compression	1	
14	5X4-11952-00	PLATE	1	
15	90201-151A7	WASHER, plate	2	
16	90387-152F2	COLLAR	1	
17	90380-15104	BUSH, solid	2	
18	5X5-11912-01	RETAINER, weight	1	
19	5X5-11911-01	RETAINER	1	
20	93521-64032	BALL	4	
21	93603-14179	PIN, dowel	1	
22	90201-151A7	WASHER, plate	1	UR
	90201-154F5	WASHER, plate	1	UR
23	90201-154F6	WASHER, plate	1	UN
24	93603-13185	PIN, dowel	1	



5X4100-2024

B4

FIG. 3 CRANKSHAFT. PISTON



REF. NO.	PART NO.	DESCRIPTION	Q'TY	REMARKS
1	24X-11400-00	CRANKSHAFT ASSY	1	
2	24X-11412-00	.CRANK 1	1	
3	5X4-11422-00	.CRANK 2	1	
4	5X4-11651-01	.ROD, connecting	1	
5	3M5-11681-00	.PIN, crank 1	1	
6	90209-22071	.WASHER	2	
7	93310-522L3	.BEARING, cylindrical	1	
8	39W-11631-00-94	PISTON (STD)	1	UR
	39W-11631-00-95	PISTON (STD)	1	UR
	39W-11635-00	PISTON (0.25MM O/S)	1	AP
	39W-11636-00	PISTON (0.50MM O/S)	1	AP
	39W-11637-00	PISTON (0.75MM O/S)	1	AP
	39W-11638-00	PISTON (1.00MM O/S)	1	AP
9	5X4-11611-00	RING, piston (STD)	1	
	5X4-11611-10	RING, piston	1	AP
	5X4-11611-20	RING, piston	1	AP
	5X4-11611-30	RING, piston	1	AP
	5X4-11611-40	RING, piston	1	AP
10	137-11633-00	PIN, piston	1	
11	4V2-11634-00	CLIP, piston pin	2	
12	93310-216L2	BEARING, cylindrical	1	
13	93306-30421	BEARING (B6304C3)	1	
14	93306-20529	BEARING (B6205C4)	1	
15	93103-28126	OIL SEAL	1	
16	93102-25258	OIL SEAL	1	
17	90282-05053	KEY, straight	1	
18	90280-03017	KEY, woodruff	1	

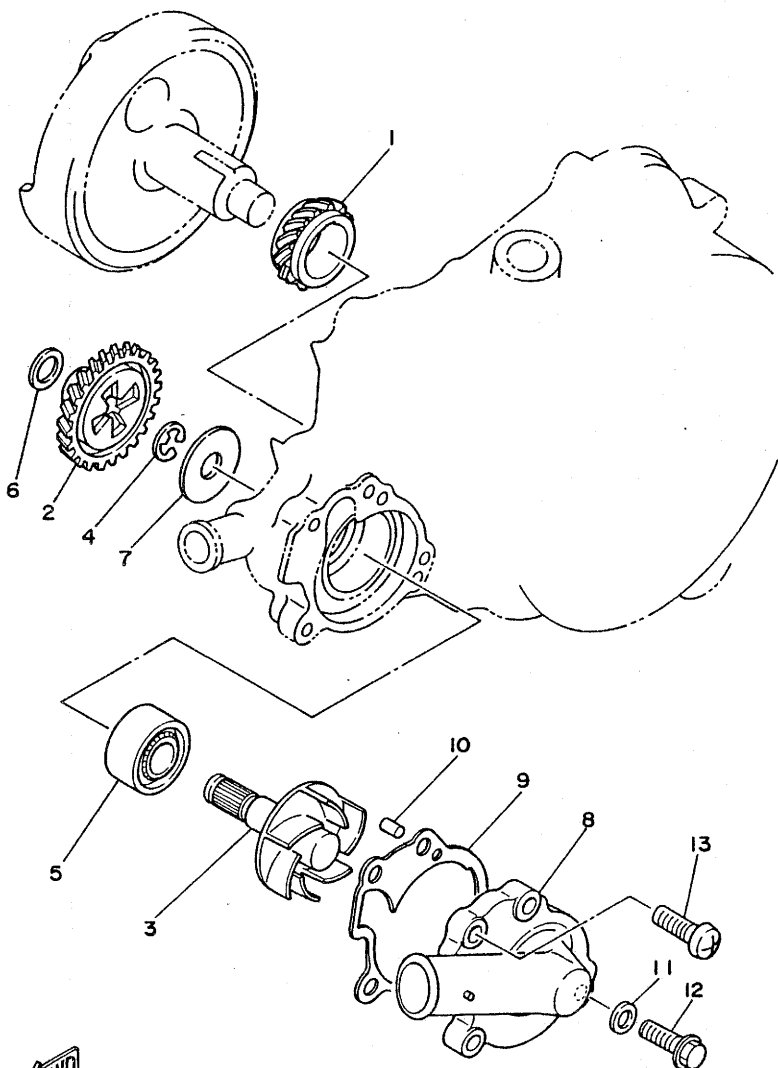


5X4100-2031

B5

FIG. 4 WATER PUMP

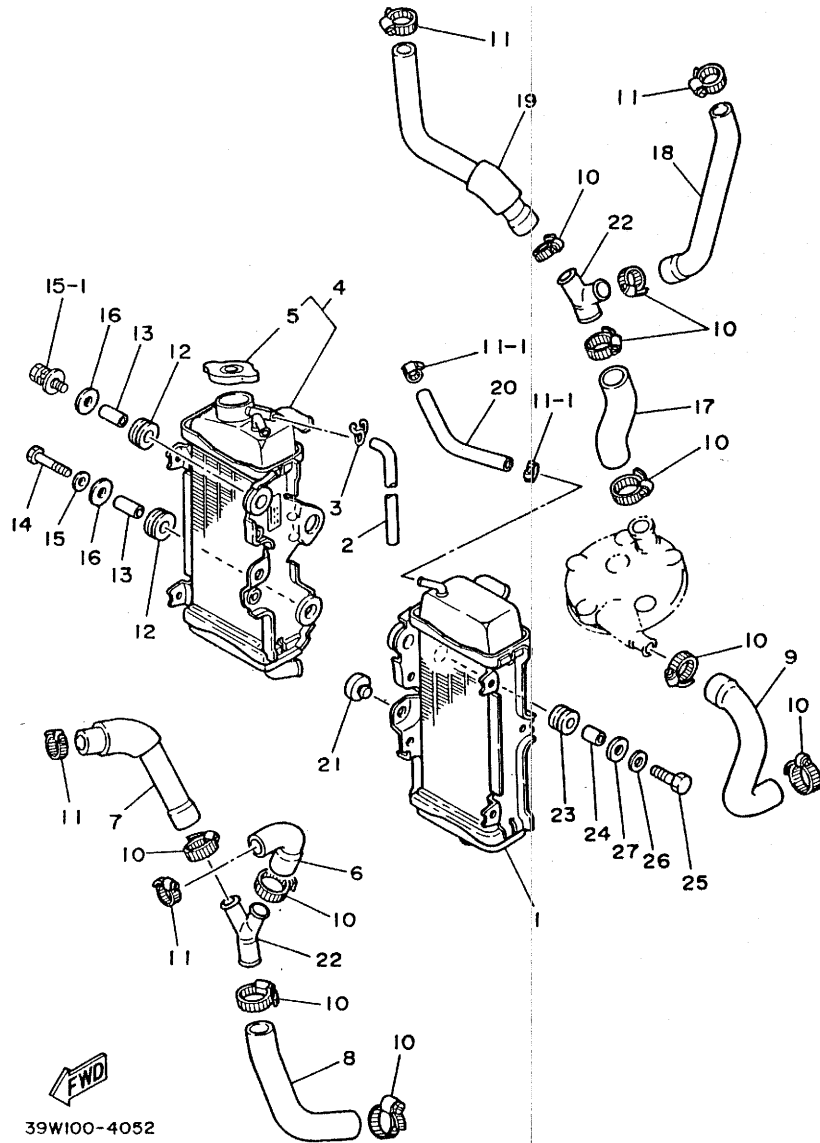
REF. NO.	PART NO.	DESCRIPTION	Q'TY	REMARKS
1	24X-12436-00	GEAR, drive	1	
2	24X-12459-00	GEAR, impeller shaft	1	
3	24X-12450-00	IMPELLER SHAFT ASSY	1	
4	93430-08006	CIRCLIP	1	
5	93103-12119	OIL SEAL	1	
6	90201-08160	WASHER, plate	1	
7	90201-10138	WASHER, plate	1	
8	24X-12422-00	COVER, housing	1	
9	24X-12428-00	GASKET, housing cover 2	1	
10	93604-10011	PIN, dowel	2	
11	90430-06166	GASKET	1	
12	95826-06020	BOLT, flange	1	
13	92506-06020	SCREW, pan head	2	



FWD
24X100-3051

B6

FIG. 5 RADIATOR. HOSE



39W100-4052

REF. NO.	PART NO.	DESCRIPTION	Q'TY	REMARKS
1	39W-12460-00	RADIATOR ASSY	1	
2	90446-09079	HOSE	1	
3	90467-09006	CLIP	1	
4	39W-1240A-00	RADIATOR ASSY 2	1	
5	22W-12462-00	.CAP, radiator	1	
6	39W-12481-00	PIPE 1	1	
7	39W-12482-00	PIPE 2	1	
8	39W-12483-00	PIPE 3	1	
9	39W-12484-00	PIPE 4	1	
10	90460-31253	CLAMP, hose	10	
• 11	90460-22252	CLAMP, hose	4	
• 11-1	90460-15227	CLAMP, hose	2	
12	90480-15064	GROMMET	4	
13	90387-07392	COLLAR	4	
• 14	97301-06030	BOLT	2	
• 15	92901-06600	WASHER, plate	2	
• 15-1	90119-06073	BOLT	2	
16	90201-06570	WASHER, plate	4	
17	39W-12485-00	PIPE 5	1	
18	39W-12476-00	PIPE 6	1	
19	39W-12477-00	PIPE 7	1	
20	39W-1248A-00	PIPE 8	1	
21	22W-24181-00	DAMPER, locating 1	2	
22	24Y-12469-00	JOINT 1	2	
23	90480-18276	GROMMET	2	
24	90387-060A7	COLLAR	2	
• 25	97301-06030	BOLT	2	
26	92901-06600	WASHER, plate	2	
27	90201-06570	WASHER, plate	2	

B7

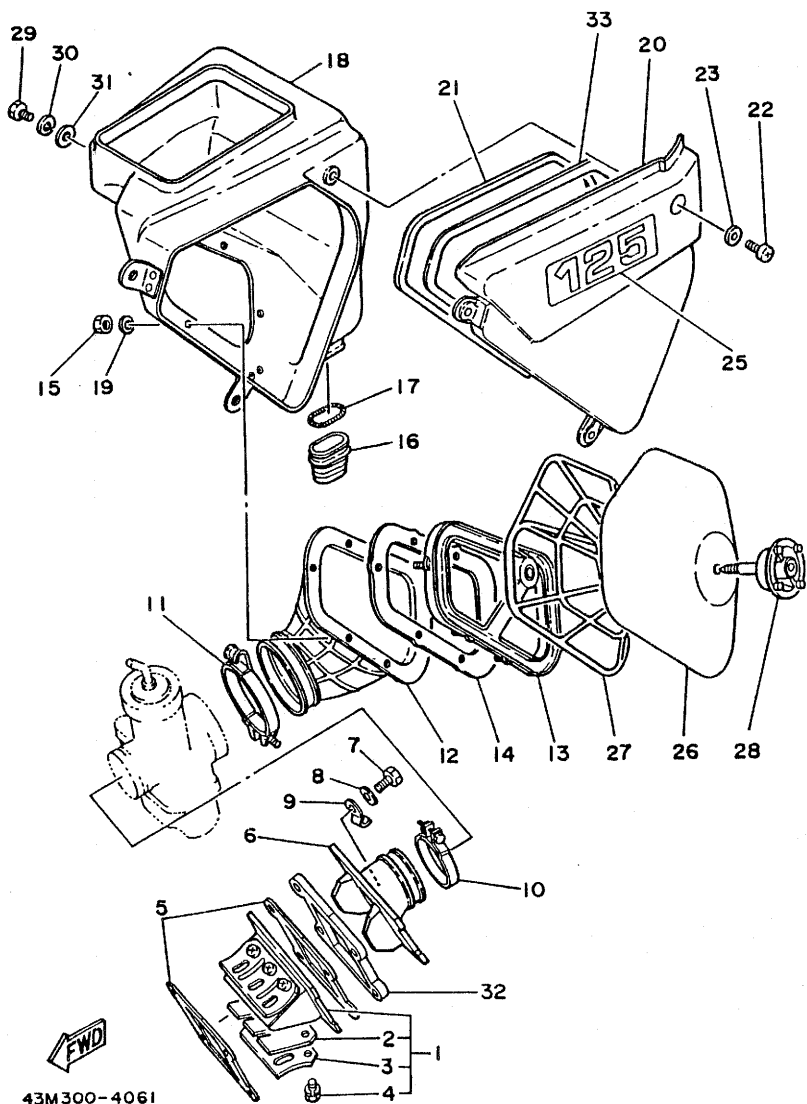


FIG. 6 INTAKE

REF. NO.	PART NO.	DESCRIPTION	Q'TY	REMARKS
1	39W-13610-00	REED VALVE ASSY	1	
2	3R3-13613-00	.REED, valve	2	
3	39W-13616-00	.STOPPER, reed valve	2	
4	97602-03108	.SCREW, pan head with washer	6	
5	39W-13621-00	GASKET, valve seat	2	
6	39W-13565-00	JOINT, carburetor	1	
7	97301-06025	BOLT	4	
8	92901-06600	WASHER, plate	4	
9	90462-05005	CLAMP	1	
10	90460-51109	CLAMP, hose	1	
11	90460-68199	CLAMP, hose	1	
12	39W-14453-00	JOINT, air cleaner 1	1	
13	39W-14459-00	HOLDER, guide	1	
14	39W-14462-00	SEAL	1	
15	95601-05100	NUT, u	6	
16	39K-14457-00	SEAL	1	
17	90504-03033	SPRING, compression	1	
18	39W-W1441-00	AIR CLEANER CASE COMP.	1	
19	92901-05200	WASHER, plain	6	
20	43M-14412-00	CAP, cleaner case 1	1	white
21	39W-14452-00	SEAL	1	
22	92506-06016	SCREW, pan head	3	
23	92906-06600	WASHER, plate	3	
25	39W-21737-10	EMBLEM	1	for w
26	39W-14451-00	ELEMENT, air cleaner	1	
27	39W-14458-00	GUIDE	1	
28	4V2-14468-01	PLATE, element fitting	1	

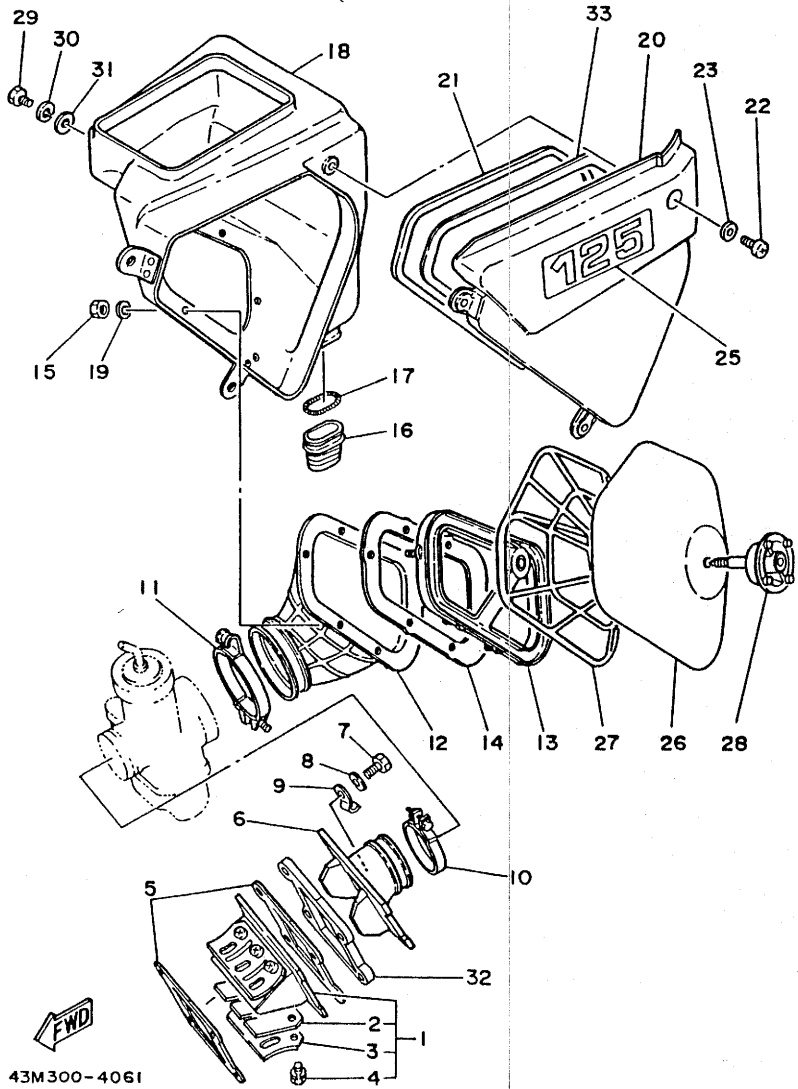


FIG. 6 INTAKE

REF. NO.	PART NO.	DESCRIPTION	Q'TY	REMARKS
29	97301-06012	BOLT	3	
30	92901-06100	WASHER, spring	3	
31	92901-06600	WASHER, plate	3	
32	39W-13625-00	SPACER, reed valve	1	
33	39W-14467-00	SEAL	1	



39W100-4070

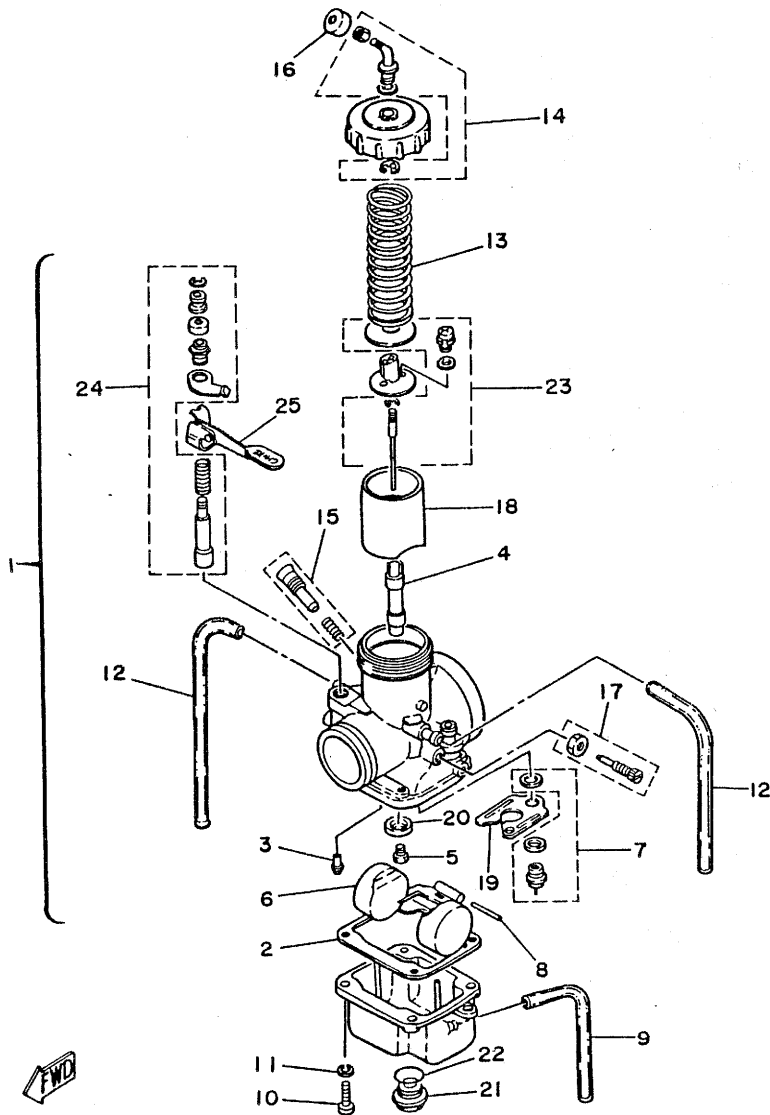
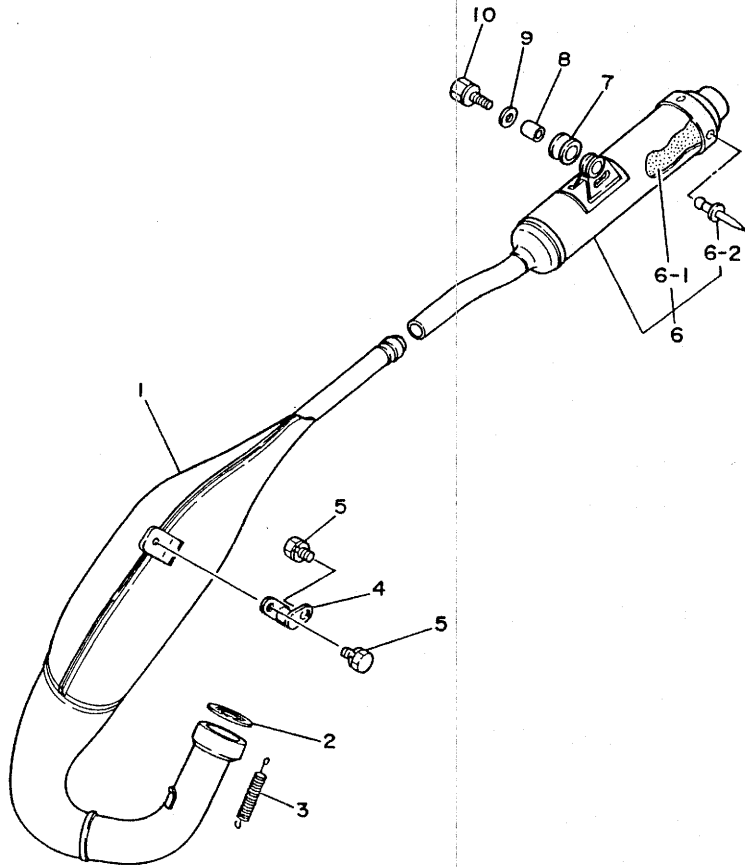


FIG. 7 CARBURETOR

REF. NO.	PART NO.	DESCRIPTION	Q'TY	REMARKS
1	39W-14101-00	CARBURETOR ASSY 1	1	UR except Europe
	43M-14101-00	CARBURETOR ASSY 1	1	UR for Europe
2	363-14184-00	.GASKET, float chamber	1	
3	193-14142-50	.JET, pilot (# 50)	1	
4	239-14141-42	.NOZZLE, main	1	
5	137-14143-72	.JET, main (#360)	1	UR except Europe
	137-14143-76	.JET, main (#380)	1	UR for Europe
6	2N7-14185-00	.FLOAT	1	
7	24X-14107-30	.NEEDLE VALVE SET	1	
8	537-14186-00	.PIN, float	1	
9	2K7-14197-00	.PIPE	1	
10	98501-05016	.SCREW, pan head	4	
11	92902-05100	.WASHER, spring	4	
12	310-14197-00	.PIPE	2	
13	363-14131-00	.SPRING, throttle valve	1	
14	23X-14106-00	.CABLE ADJUST SCREW SET	1	
15	23X-14104-00	.AIR SCREW SET	1	
16	1M1-14169-00	.CAP	1	
17	23X-14103-00	.THROTTLE SCREW SET	1	
18	2X7-14112-20	.VALVE, throttle (2.0)	1	
19	3R4-14146-00	.PLATE	1	
20	2X7-14194-00	.RING	1	
21	510-14115-00	.PLUG, screw	1	
22	558-14147-00	.O-RING	1	
23	39W-1490J-00	.NEEDLE SET	1	
24	26A-1410A-00	.STARTER SET	1	
25	1W3-14175-00	.LEVER, starter 1	1	

B10

FIG. 8 EXHAUST



REF. NO.	PART NO.	DESCRIPTION	Q'TY	REMARKS
1	39W-14610-00	EXHAUST PIPE ASSY 1	1	
2	3R3-14613-00	GASKET, exhaust pipe	1	
3	90507-20030	SPRING, tension	2	
4	24X-14771-00	STAY, muffler 1	1	
5	97501-06116	BOLT, with washer	2	
6	39W-14753-00	SILENCER, exhaust	1	
6-1	24X-1469A-00	.FIBER	1	
6-2	90267-40115	.RIVET	4	
7	90480-22269	GROMMET	1	
8	90387-081A3	COLLAR	1	
9	90201-08114	WASHER, plate	1	
10	90109-08512	BOLT	1	



24X100-3091

B11

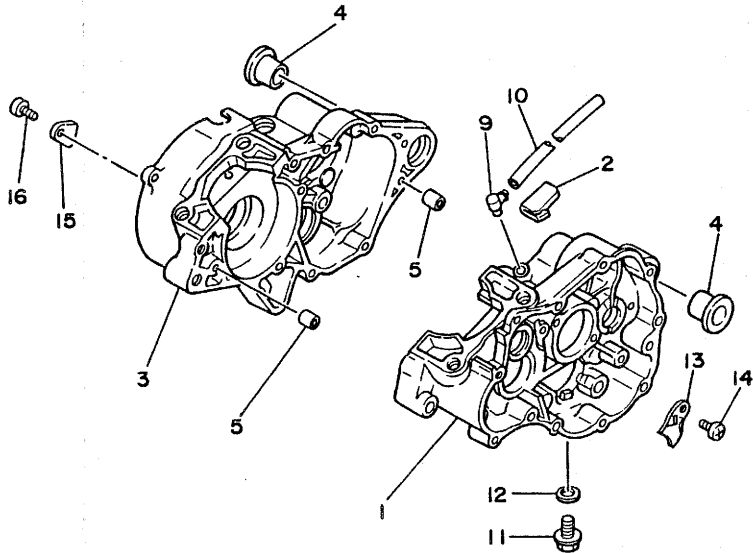
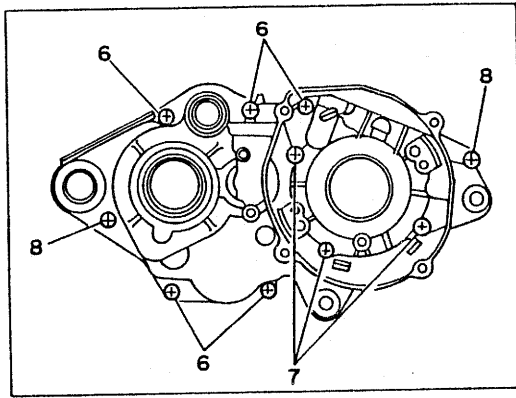


FIG. 9 CRANKCASE

REF. NO.	PART NO.	DESCRIPTION	Q'TY	REMARKS
1	24X-15111-00	CRANKCASE 1	1	
2	5X4-15379-01	SEAL, crankcase	1	
3	24X-15121-00	CRANKCASE 2	1	
4	90387-16781	COLLAR	2	
5	91830-21014	PIN, dowel	2	
6	91316-06035	BOLT	5	
7	91316-06040	BOLT	3	
8	91316-06050	BOLT	2	
9	353-13115-01	CONNECTOR, suction pipe	1	
10	90445-08376	HOSE	1	
11	90340-12059	PLUG, straight screw	1	
12	90430-12038	GASKET	1	
13	3R3-15128-01	HOLDER	1	
14	92501-08010	SCREW, pan head	1	
15	4V4-15118-00	HOLDER	1	
16	92501-06010	SCREW, pan head	1	



24X100-3100

B12

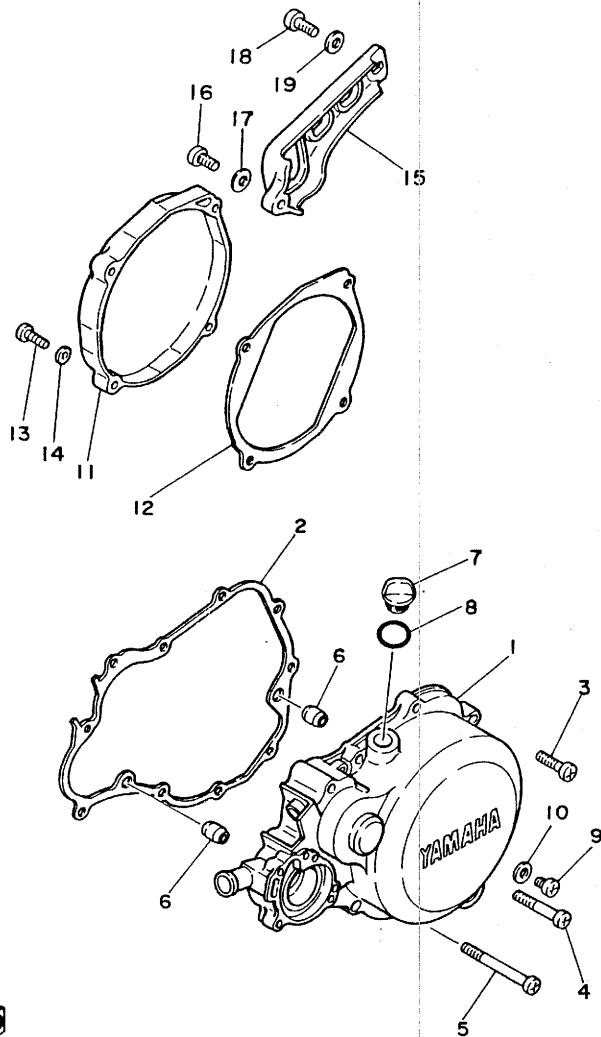


FIG. 10 CRANKCASE COVER 1

REF. NO.	PART NO.	DESCRIPTION	Q'TY	REMARKS
1	24X-15411-00	COVER, crankcase 1	1	
2	5X4-15451-00	GASKET, crankcase cover 1	1	
3	92506-06025	SCREW, pan head	8	
4	92506-06045	SCREW, pan head	1	
5	92506-06055	SCREW, pan head	1	
6	91830-21014	PIN, dowel	2	
7	1G8-15362-00	PLUG, oil level	1	
8	93210-14104	O-RING	1	
9	92506-06008	SCREW, pan head	1	
10	90430-06016	GASKET	1	
11	39W-15421-00	COVER, crankcase 2	1	
12	5X4-15455-00	GASKET 1	1	
13	92506-06025	SCREW, pan head	4	
14	92906-06600	WASHER, plate	4	
15	3R3-15431-00	COVER, crankcase 3	1	
16	92501-06014	SCREW, pan head	1	
17	90201-06067	WASHER, plate	1	
18	92501-06020	SCREW, pan head	1	
19	92901-06200	WASHER, plain	1	



5X4100-2111

B13

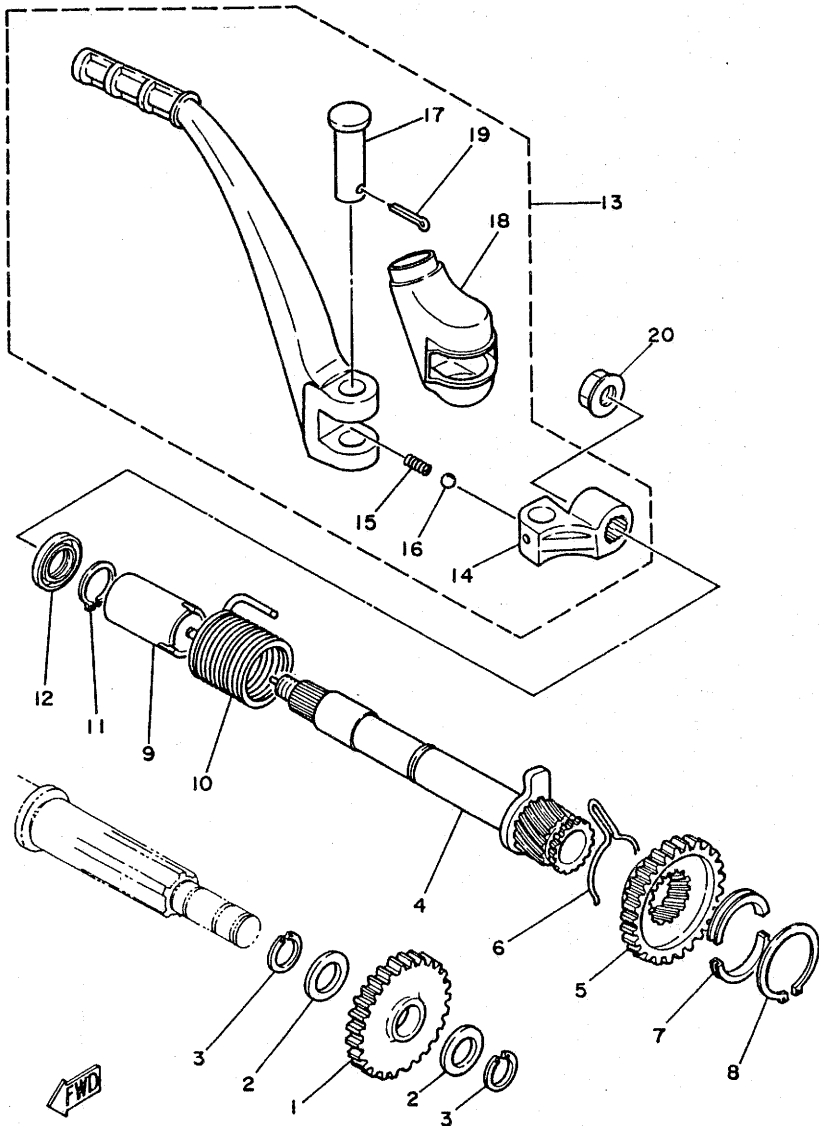
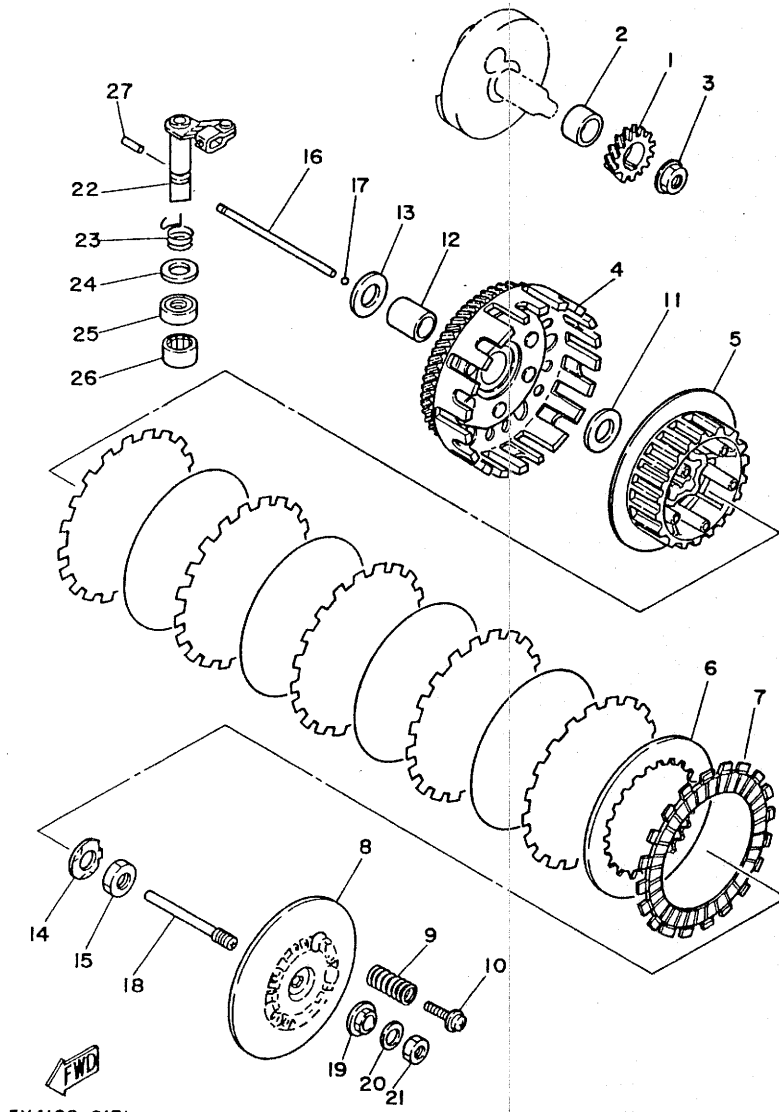


FIG. 11 STARTER

REF. NO.	PART NO.	DESCRIPTION	Q'TY	REMARKS
1	3R3-15651-01	GEAR, sprocket idle (25T)	1	
2	137-17417-00-05	SHIM (0.5T)	1	
3	93440-15012	CIRCLIP	2	
4	39W-15660-00	KICK AXLE ASSY	1	
5	3R3-15641-00	GEAR, kick (25T)	1	
6	90468-26048	CLIP	1	
7	248-15654-00	HOLDER, kick gear	2	
8	93410-30012	CIRCLIP	1	
9	3R3-15666-00	SPACER	1	
10	90508-26427	SPRING, torsion	1	
11	93410-17037	CIRCLIP	1	
12	93101-17062	OIL SEAL	1	
13	39W-15620-00	KICK CRANK ASSY	1	
14	39W-15621-00	.BOSS, kick crank	1	
15	90501-12081	.SPRING, compression	1	
16	93507-32009	.BALL	1	
17	90240-12090	.PIN, clevis	1	
18	5X4-15618-00	.COVER, kick lever	1	
19	91401-40020	.PIN, cotter	1	
20	90179-10272	NUT	1	

FWD
5X4100-2120

FIG. 12 CLUTCH

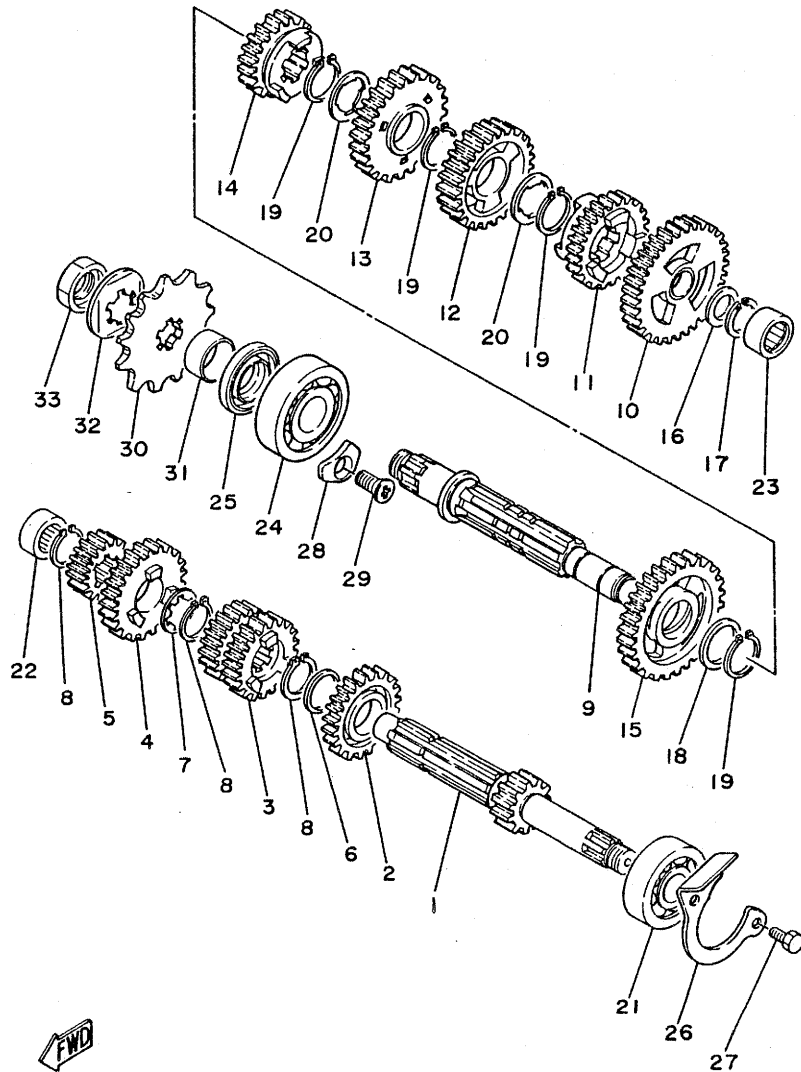


5X4100-2131

REF. NO.	PART NO.	DESCRIPTION	Q'TY	REMARKS
1	24X-16111-00	GEAR, primary drive	1	
2	90387-202F0	COLLAR	1	
3	90179-12373	NUT	1	
4	39W-16150-00	PRIMARY DRIVEN GEAR COMP.	1	
5	24X-16371-00	BOSS, clutch	1	
6	24X-16324-00	PLATE, clutch 1	5	
7	24X-16321-00	PLATE, friction	6	
8	24X-16351-00	PLATE, pressure 1	1	
9	90501-20361	SPRING, compression	5	
10	90159-05011	SCREW, with washer	5	
11	90201-17166	WASHER, plate	1	
12	90560-17232	SPACER	1	
13	90201-17166	WASHER, plate	1	
14	90215-14204	WASHER, lock	1	
15	90170-14171	NUT	1	
16	353-16357-00	ROD, push 2	1	
17	93503-16010	BALL	1	
18	1W1-16356-01	ROD, push 1	1	
19	1W1-16358-00	PLATE, push	1	
20	92900-06200	WASHER	1	
21	95300-06600	NUT	1	
22	3R3-16380-02	PUSH LEVER ASSY	1	
23	90508-14426	SPRING, torsion	1	
24	90201-14217	WASHER, plate	1	
25	93102-14308	OIL SEAL	1	
26	93315-21429	BEARING, cylindrical	1	
27	93604-16092	PIN, dowel	1	

B15

FIG. 13 TRANSMISSION



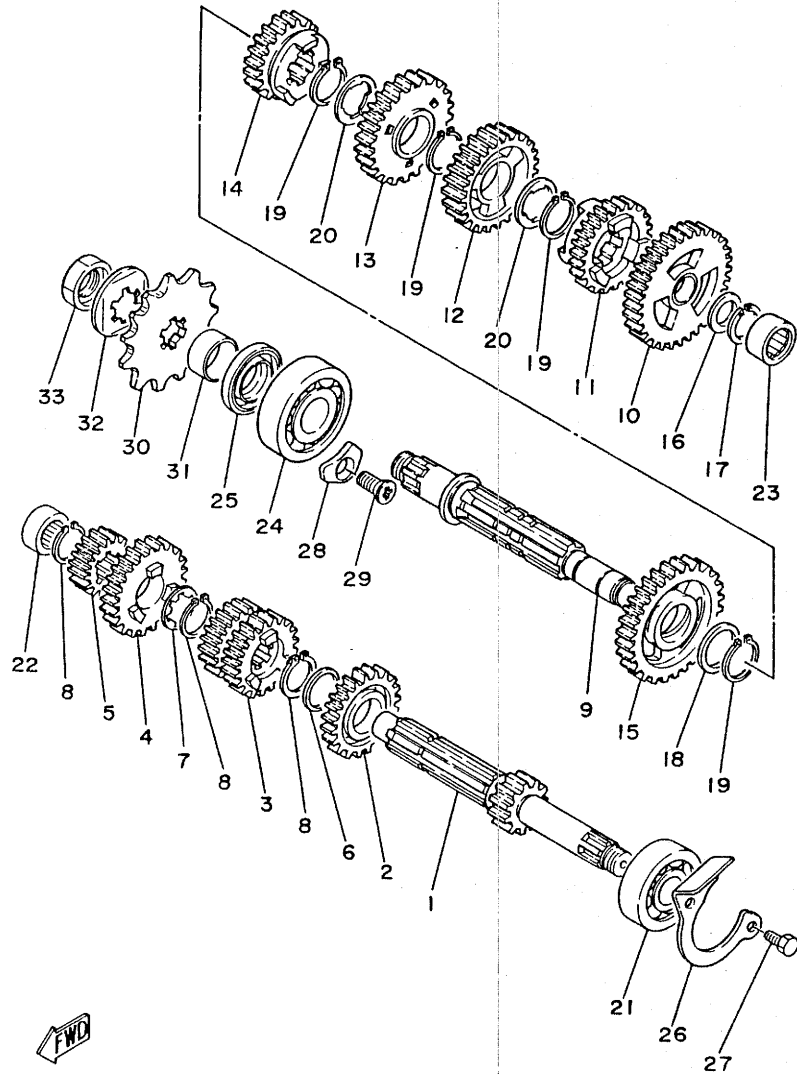
REF. NO.	PART NO.	DESCRIPTION	Q'TY	REMARKS
1	24X-17411-00	AXLE, main	1	
2	5X4-17151-01	GEAR, 5th pinion (19T)	1	
3	5X4-17131-03	GEAR, 3rd pinion (20T)	1	
4	5X4-17161-01	GEAR, 6th pinion (20T)	1	
5	5X4-17121-02	GEAR, 2nd pinion (14T)	1	
6	90201-20266	WASHER, plate	1	
7	90209-16255	WASHER	1	
8	93410-20038	CIRCLIP	3	
9	5X4-17421-00	AXLE, drive	1	
10	5X4-17211-01	GEAR, 1st wheel (32T)	1	
11	24X-17251-00	GEAR, 5th wheel (21T)	1	
12	24X-17241-00	GEAR, 4th wheel (25T)	1	
13	5X4-17231-02	GEAR, 3rd wheel (24T)	1	
14	24X-17261-00	GEAR, 6th wheel (20T)	1	
15	5X4-17221-02	GEAR, 2nd wheel (26T)	1	
16	90201-15701	WASHER, plate (1.0T)	1	
17	93440-15012	CIRCLIP	1	
18	90201-22555	WASHER, plate	1	
19	93410-22039	CIRCLIP	4	
20	90209-18135	WASHER	2	
21	93306-30303	BEARING (B6303Z)	1	
22	93311-41530	BEARING, cylindrical	1	
23	93311-31515	BEARING, cylindrical	1	
24	93306-30411	BEARING (B6304)	1	
25	93102-26042	OIL SEAL	1	
26	3R3-17471-00	PLATE, cover	1	
27	97321-06012	BOLT	2	
28	2K7-15383-00	PLATE, bearing cover	1	



5X4100-2141

C2

FIG. 13 TRANSMISSION



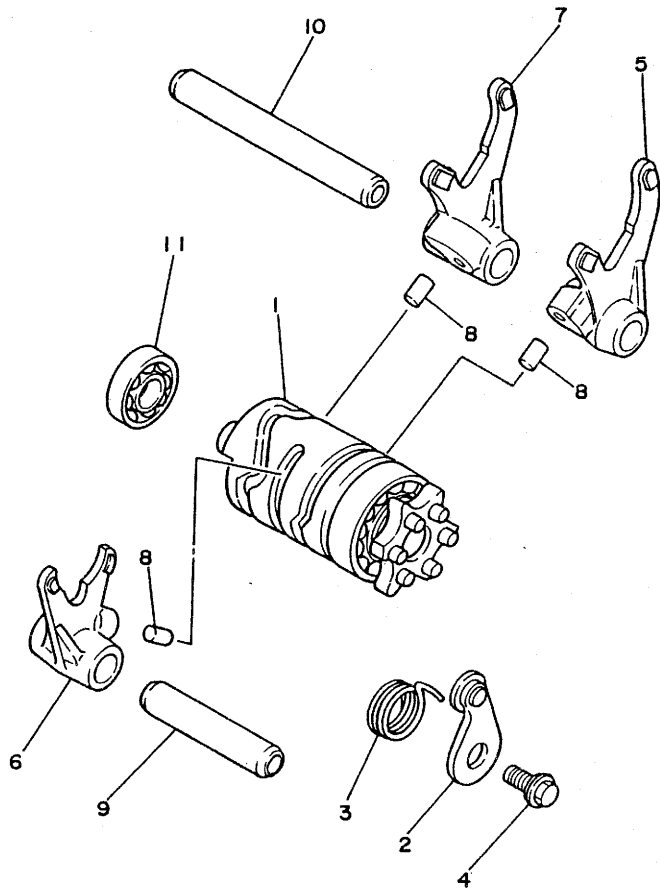
REF. NO.	PART NO.	DESCRIPTION	Q'TY	REMARKS
29	92701-06012	SCREW, flat head	1	
30	1G8-17461-20	SPROCKET, drive (12T)	1	
	1G8-17461-10	SPROCKET, drive (11T)	1	AP
	1G8-17461-30	SPROCKET, drive (13T)	1	AP
31	90387-202A0	COLLAR	1	
32	90215-16127	WASHER, lock	1	
33	90179-16226	NUT	1	

FWD
5X4100-2141

C3

FIG. 14 SHIFT CAM. FORK

REF. NO.	PART NO.	DESCRIPTION	Q'TY	REMARKS
1	24X-18540-00	SHIFT CAM ASSY	1	
2	3R3-18140-00	STOPPER LEVER ASSY	1	
3	90508-26435	SPRING, torsion	1	
4	1W1-18177-00	BOLT, stopper	1	
5	5X4-18511-00	FORK, shift 1	1	
6	5X4-18512-00	FORK, shift 2	1	
7	5X4-18513-00	FORK, shift 3	1	
8	90250-06013	PIN, straight	3	
9	5X5-18531-01	BAR, shift fork guide 1	1	
10	5X5-18535-01	BAR, shift fork guide 2	1	
11	93306-00106	BEARING	1	



24X100-3150

C4

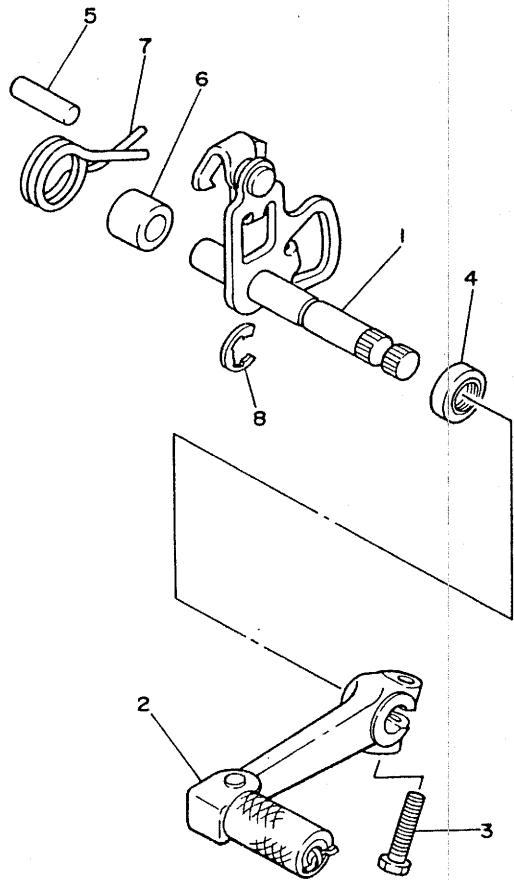


FIG. 15 SHIFT SHAFT

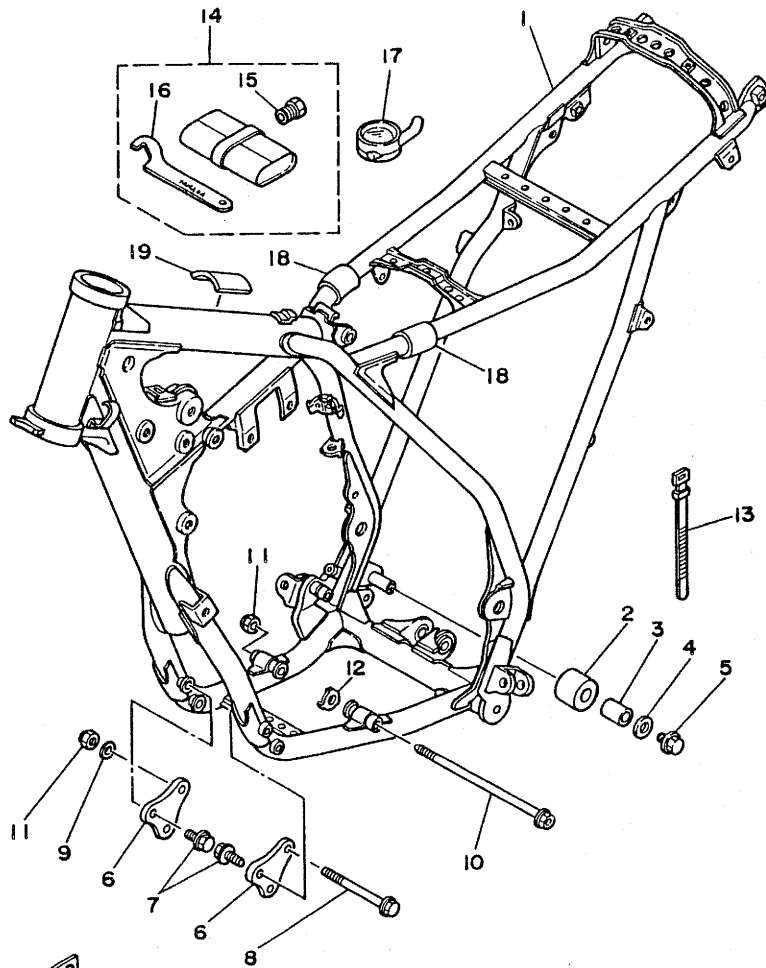
REF. NO.	PART NO.	DESCRIPTION	Q'TY	REMARKS
1	24X-18101-00	SHIFT SHAFT ASSY	1	
2	24X-18110-00	SHIFT PEDAL ASSY	1	
3	97321-06025	BOLT	1	
4	93109-12012	OIL SEAL	1	
5	93608-25150	PIN, dowel	1	
6	90560-11189	SPACER	1	
7	90508-29361	SPRING, torsion	1	
8	93430-10016	CIRCLIP	1	



24X100-3160

C5

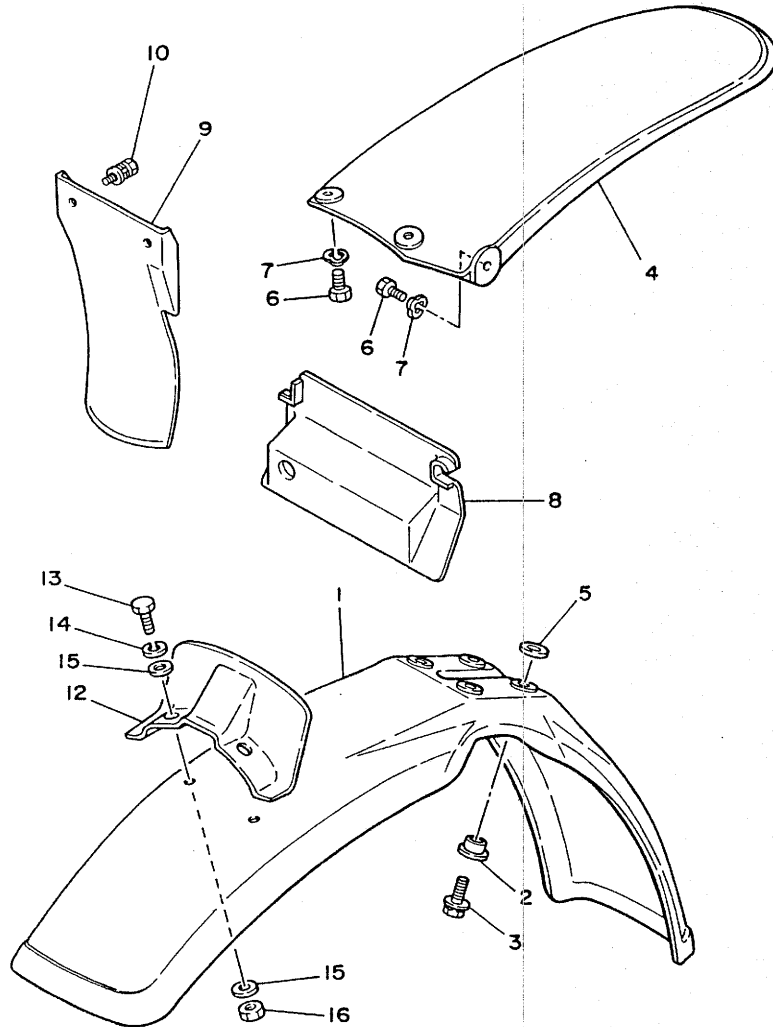
FIG. 16 FRAME



FWD
24X100-3173

REF. NO.	PART NO.	DESCRIPTION	Q'TY	REMARKS
1	39W-21110-00-FH	FRAME COMP.	1	fire red
2	22W-22178-01	TENSIONER	1	
3	4V4-22184-00	BUSH	1	
4	90201-08113	WASHER, plate	1	
5	95802-08012	BOLT, flange	1	
6	39W-21419-00	BRACKET, engine 2	2	
7	95821-08016	BOLT, flange	4	
8	95811-08095	BOLT, flange	1	
9	92901-08200	WASHER, plain	1	
10	90105-08326	BOLT	1	
11	90185-08113	NUT, self-locking	2	
12	90214-09019	WASHER, claw	1	
13	7F6-82591-00	BAND	1	
14	43M-28100-00	TOOL KIT	1	
15	2K7-85555-00	.PULLER, rotor	1	
16	23X-28135-00	.SPANNER, special	2	
17	2X4-2811A-00	GAUGE, air	1	
18	3G2-24182-00	DAMPER	2	
19	583-24182-00	DAMPER	1	

FIG. 17 FENDER

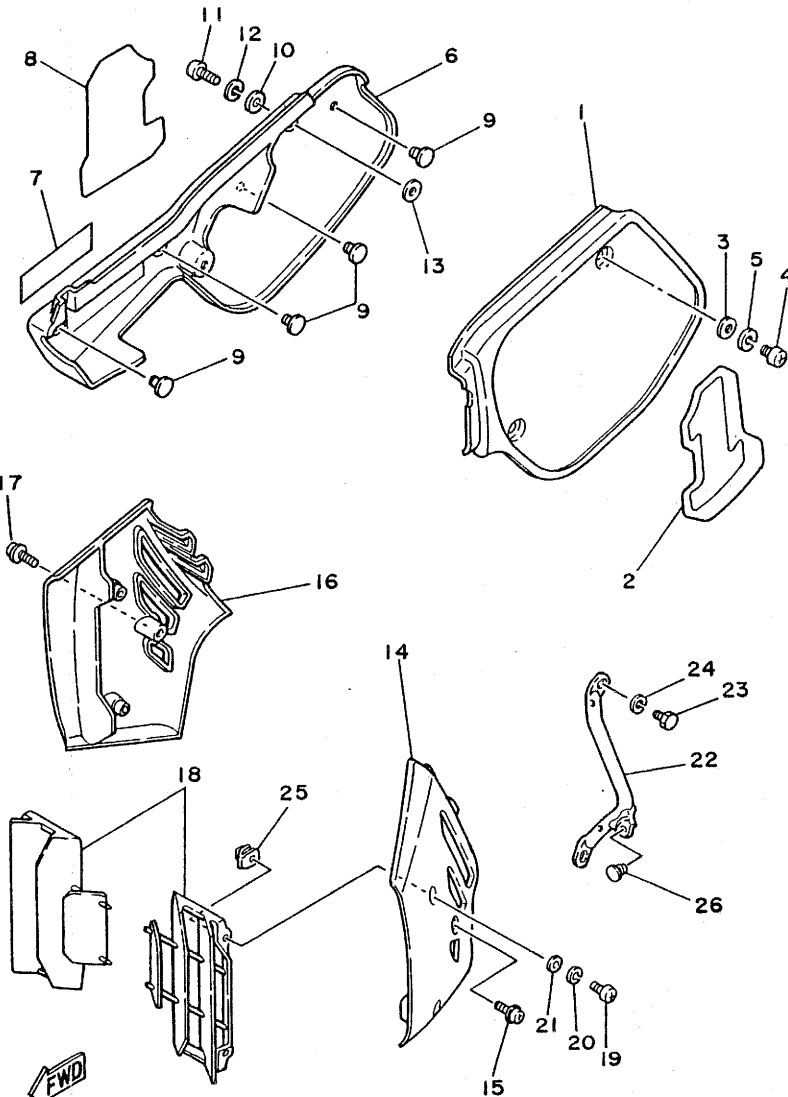


REF. NO.	PART NO.	DESCRIPTION	Q'TY	REMARKS
1	5X6-21511-10	FENDER, front	1	white
2	90387-06681	COLLAR	4	
3	90119-06063	BOLT, with washer	4	
4	39W-21611-10	FENDER, rear	1	white
5	90201-06571	WASHER, plate	4	
6	97301-06016	BOLT	4	
7	92902-06700	WASHER	4	
8	39W-21629-00	GUARD, mud	1	
9	39W-21642-00	GUARD, flap	1	
10	90119-06042	BOLT, with washer	2	
12	4V2-21543-01	PLATE 1.	1	
13	97301-06020	BOLT	2	
14	92901-06100	WASHER, spring	2	
15	90201-06052	WASHER, plate	4	
16	95601-06100	NUT, u	2	



39W100-4171

C7



39W100-4180

FIG. 18 SIDE COVER

REF. NO.	PART NO.	DESCRIPTION	Q'TY	REMARKS
1	39W-21711-10-98	COVER, side 1	1	low gloss black/white
2	3R2-21782-00	EMBLEM 2	1	for Oceania
3	90201-06571	WASHER, plate	2	
4	92501-06014	SCREW, pan head	2	
5	92901-06100	WASHER, spring	2	
6	39W-21721-10-98	COVER, side 2	1	low gloss black/white
7	39W-21737-10	EMBLEM	1	for w
8	3R2-21782-00	EMBLEM 2	1	for Oceania
9	22W-24181-00	DAMPER, locating 1	4	
10	90201-06571	WASHER, plate	2	
11	92501-06014	SCREW, pan head	2	
12	92901-06100	WASHER, spring	2	
13	92901-08200	WASHER, plain	1	
14	39W-21731-10	COVER, side 3	1	chappy red
15	90159-05100	SCREW, with washer	1	
16	39W-21741-10	COVER, side 4	1	chappy red
17	90159-05100	SCREW, with washer	1	
18	24X-2172A-01	PANEL 1	2	
19	98501-05030	SCREW, pan head	4	
20	92901-05100	WASHER, spring	4	
21	90201-05029	WASHER, plate	4	
22	39W-2174F-00	GUARD, radiator	1	
23	97301-08016	BOLT	2	
24	92901-08100	WASHER, spring	2	
25	22W-21791-00	NUT	6	
26	24X-12465-00	DAMPER, radiator	1	

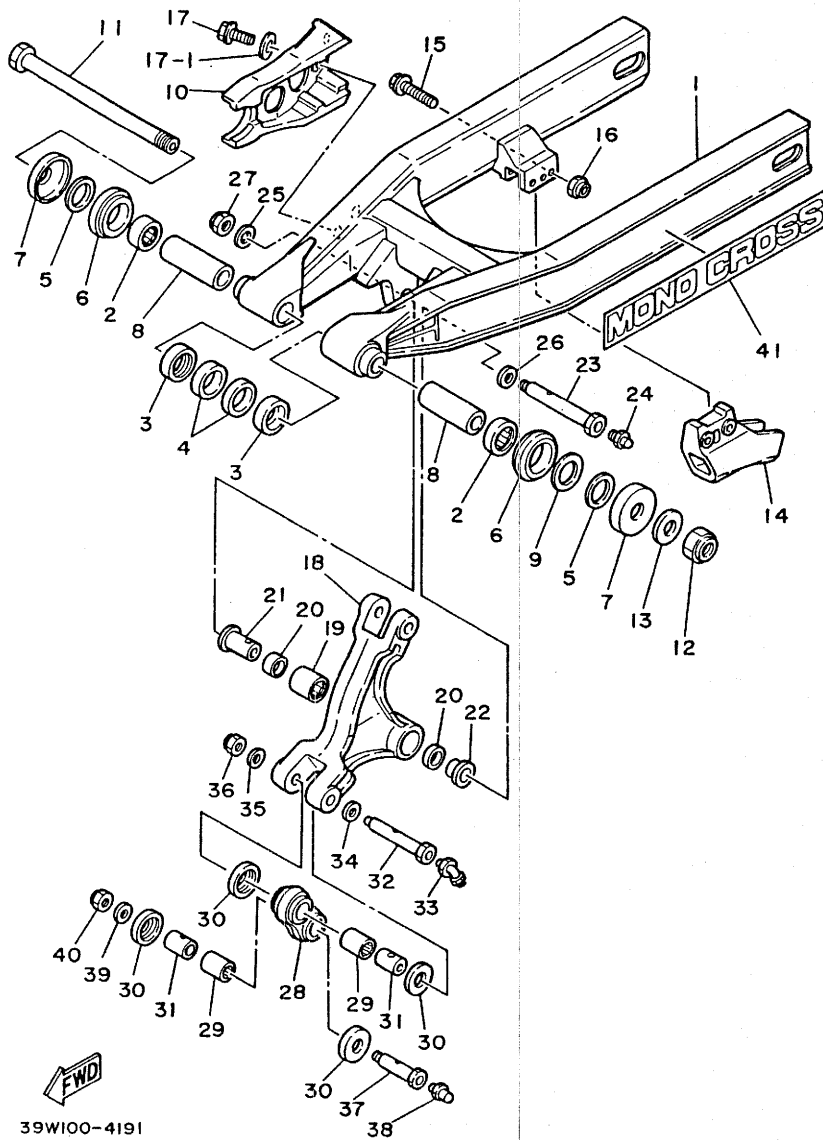
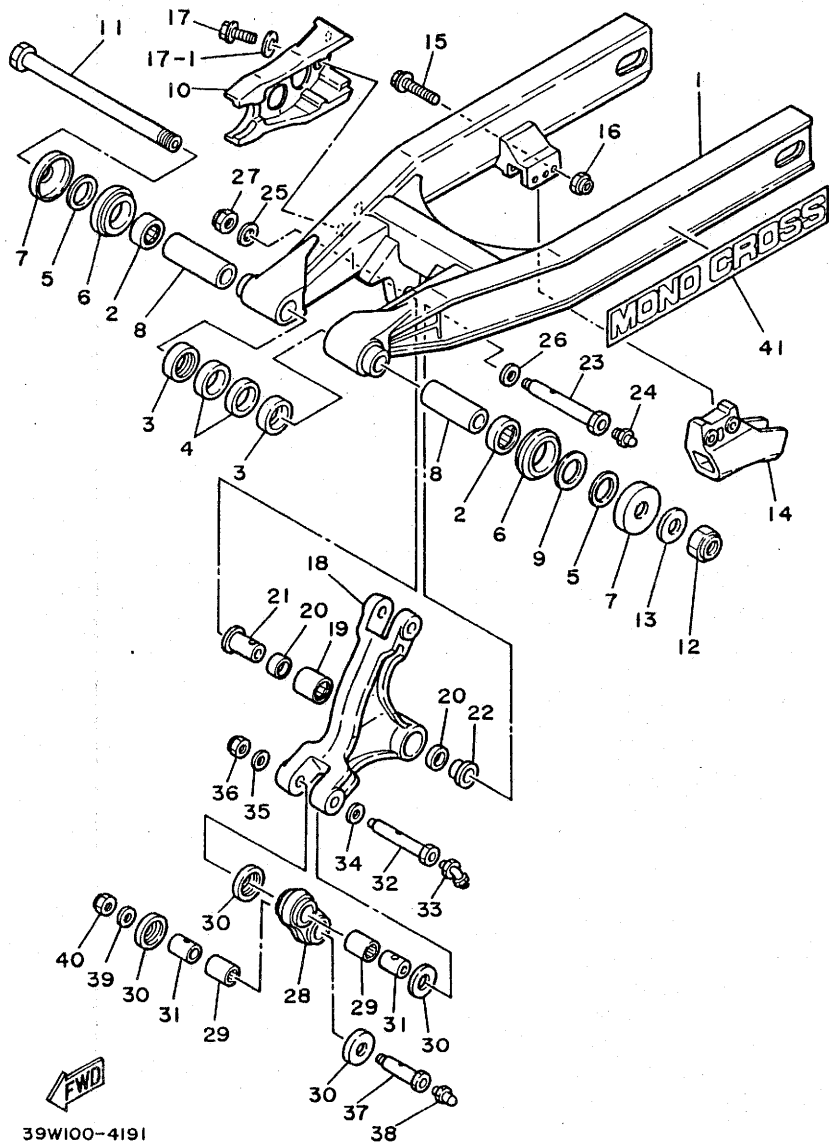


FIG. 19 REAR ARM

REF. NO.	PART NO.	DESCRIPTION	Q'TY	REMARKS
1	39W-22110-00	REAR ARM COMP.	1	
2	93317-32231	BEARING, cylindrical	2	
3	90380-22111	BUSH, solid	2	
4	93106-22019	OIL SEAL	2	
5	90201-22680	WASHER, plate	2	
6	93108-35004	OIL SEAL	2	
7	2K6-22128-01	COVER, thrust 1	2	
8	90380-16077	BUSH, solid	2	
9	156-22127-00	SHIM (0.3T)	1 UN	
10	39W-22151-00	SEAL, guard	1	
11	5X4-22141-01	SHAFT, pivot	1	
12	90185-16127	NUT, self-locking	1	
13	90201-160F6	WASHER, plate	1	
14	39W-22199-00	SUPPORT, chain	1	
15	95802-08045	BOLT, flange	2	
16	90185-08106	NUT, self-locking	2	
17	95801-06020	BOLT, flange	2	
17-1	90201-06067	WASHER, plate	2	
18	39W-2217A-00	ARM, relay	1	
19	93317-32034	BEARING, cylindrical	1	
20	93109-20029	OIL SEAL	2	
21	90387-14766	COLLAR	1	
22	90387-14767	COLLAR	1	
23	90109-12701	BOLT	1	
24	93700-06004	NIPPLE, grease	1	
25	90201-120A5	WASHER, plate	1	
26	90201-14222	WASHER, plate	1	
27	90185-12119	NUT, self-locking	1	
28	39W-2217F-00	ROD, connecting 1	1	



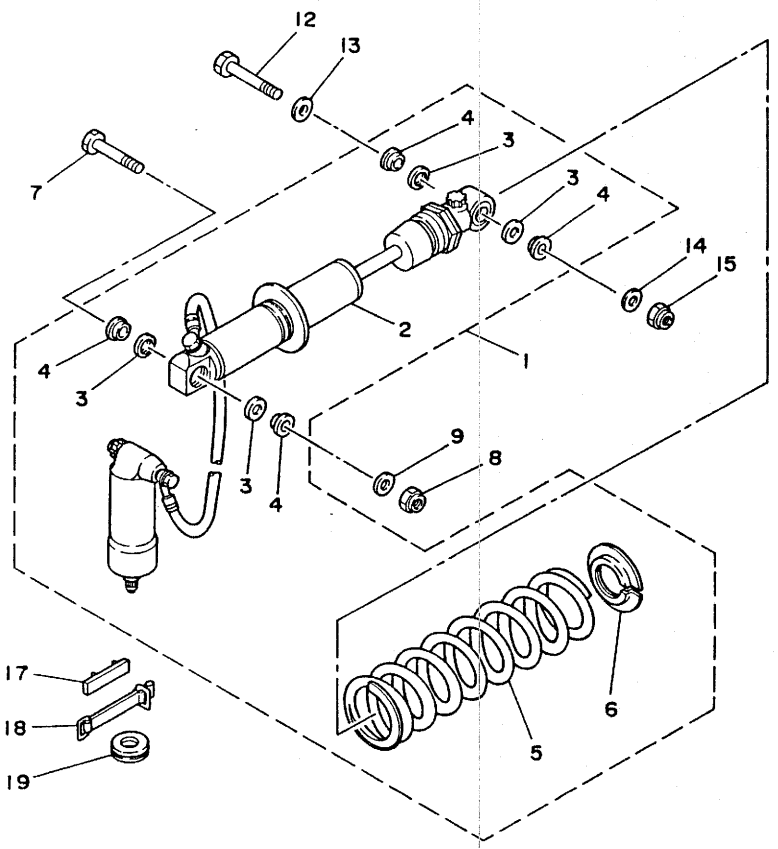
39W100-4191

FIG. 19 REAR ARM

REF. NO.	PART NO.	DESCRIPTION	Q'TY	REMARKS
29	93315-31732	BEARING, cylindrical	2	
30	23X-22129-00	COVER, thrust 2	4	
31	90387-121H1	COLLAR	2	
32	90109-10702	BOLT	1	
33	93700-06005	NIPPLE, grease	1	
34	90201-120E6	WASHER, plate	1	
35	90201-100E9	WASHER, plate	1	
36	90185-10120	NUT, self-locking	1	
37	90109-10703	BOLT	1	
38	93700-06004	NIPPLE, grease	1	
39	90201-10430	WASHER, plate	1	
40	95611-10100	NUT, u	1	
41	5X3-2218A-00	EMBLEM, rear arm	2	

FIG. 20 REAR SUSPENSION

REF. NO.	PART NO.	DESCRIPTION	Q'TY	REMARKS
1	43M-22210-00-6W	SHOCK ABSORBER ASSY, rear	1	native red
2	43M-22201-00	.DAMPER SUB ASSY	1	
3	43M-22475-00	.DUST, seal	4	
4	43M-22216-00	.COLLAR	4	
5	43M-22212-00-6W	.SPRING	1	
6	43M-22214-00	.SPRING, guide	1	
7	90109-10704	BOLT	1	
8	90185-10120	NUT, self-locking	1	
9	90201-10430	WASHER, plate	1	
12	90109-10700	BOLT	1	
13	90201-120E6	WASHER, plate	1	
14	90201-100E9	WASHER, plate	1	
15	90185-10120	NUT, self-locking	1	
17	24X-22261-00	DAMPER, sub tank	1	
18	24X-22262-00	HOLDER, sub tank	1	
19	90480-25381	GROMMET	1	



FWD
43M300-4200

C11

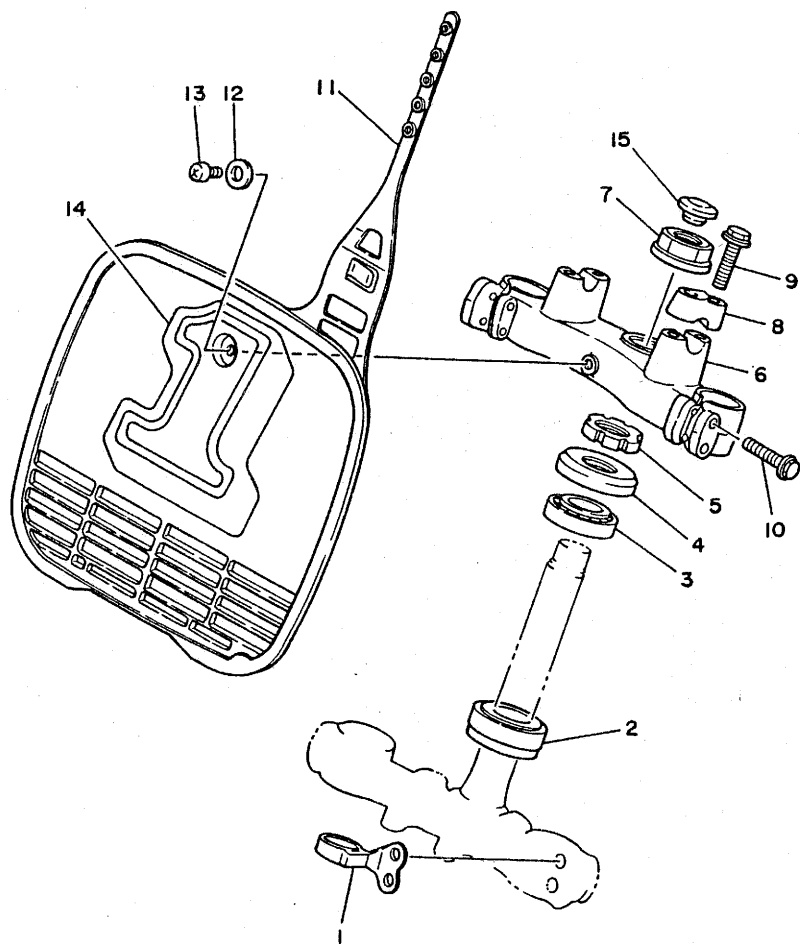


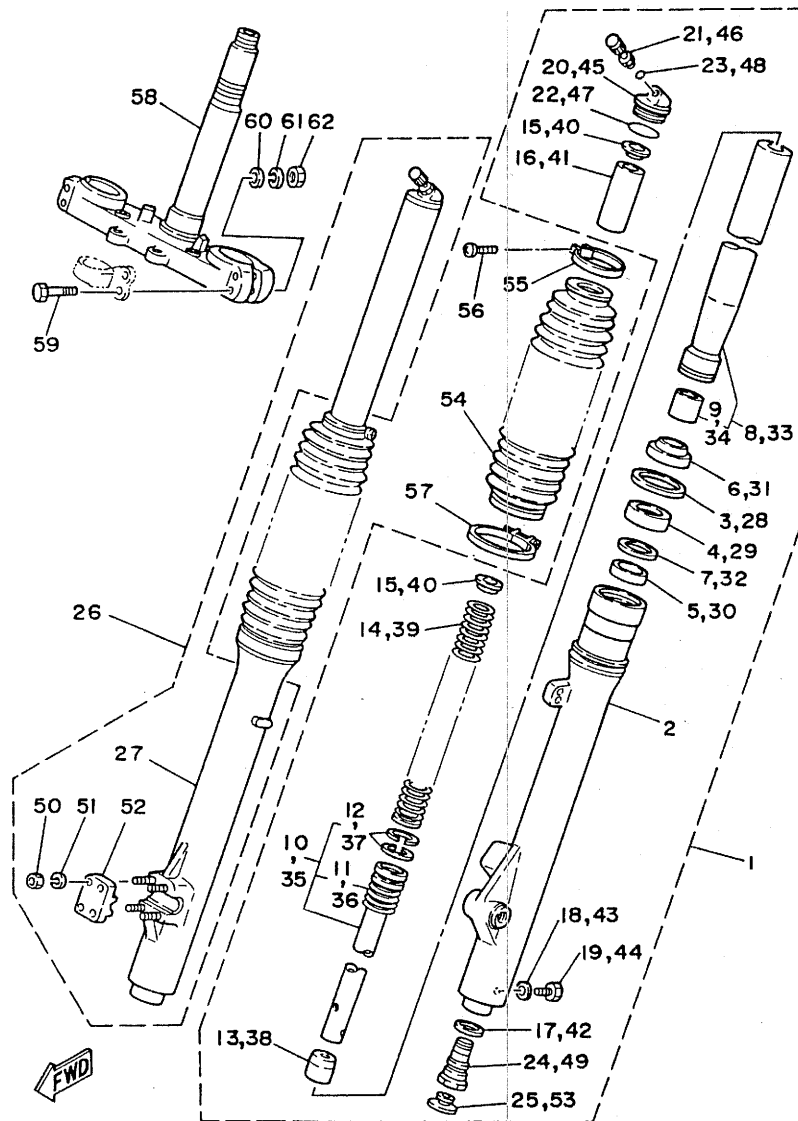
FIG. 21 STEERING

REF. NO.	PART NO.	DESCRIPTION	Q'TY	REMARKS
1	3R4-23389-00	GUIDE, cable	1	
2	93332-00008	BEARING	1	
3	93332-00023	BEARING	1	
4	1W1-23416-00	COVER, ball race 2	1	
5	90179-25033	NUT	1	
6	39W-23435-00-98	CROWN, handle	1	low gloss black
7	90179-22330	NUT	1	
8	1E6-23441-00	HOLDER, handle upper	2	
9	95821-08035	BOLT, flange	4	
10	95821-08040	BOLT, flange	4	
11	24X-23485-10	PLATE, number	1	white
12	90201-06571	WASHER, plate	1	
13	97801-06012	SCREW, pan head	1	
14	24X-23395-00	EMBLEM	1	
15	34K-2319U-00	CAP	1	



24Y100-3221

C12

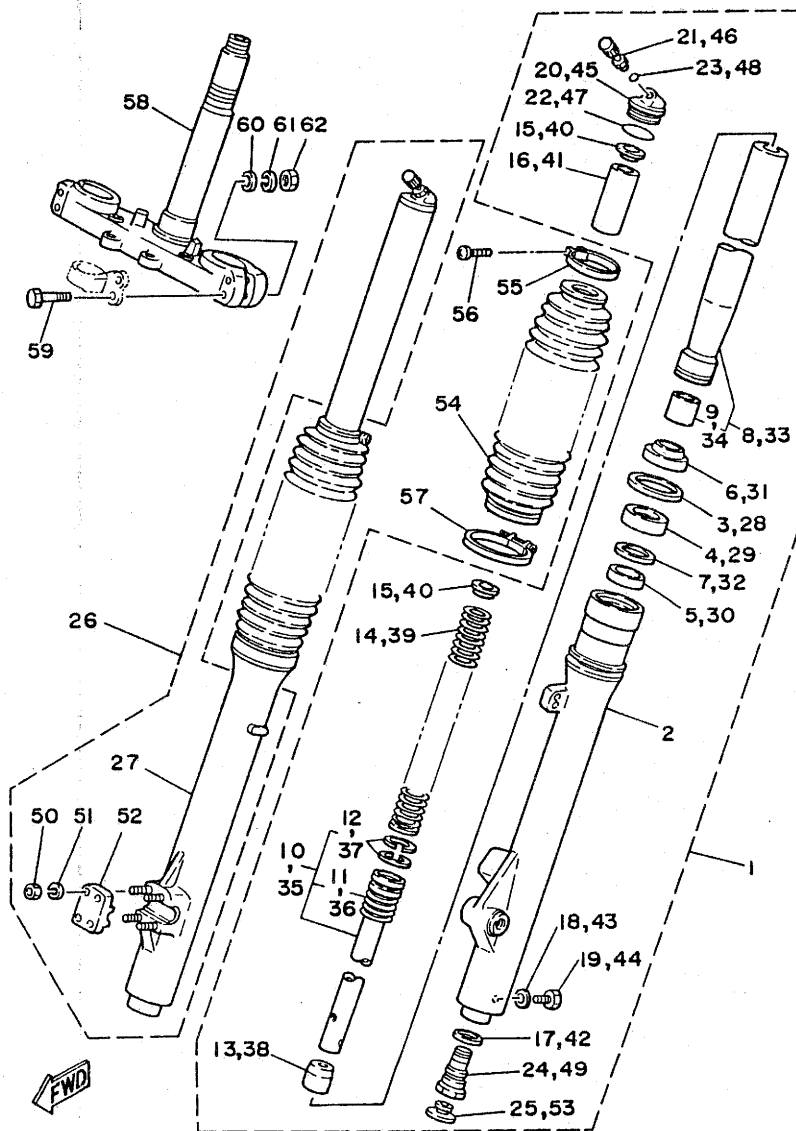


43M300-4220

FIG. 22 FRONT FORK

REF. NO.	PART NO.	DESCRIPTION	Q'TY	REMARKS
1	43M-23102-L0	FRONT FORK ASSY (L.H)	1	
2	43M-23126-L0	.TUBE, outer 1	1	
3	4V4-23153-L0	.RING, snap	1	
4	23X-23145-L0	.OIL SEAL	1	
5	4V4-23125-L0	.METAL, slide 1	1	
6	23X-23144-L0	.SEAL, dust	1	
7	4V4-23146-L0	.WASHER, oil seal	1	
8	43M-23110-L0	.INNER TUBE COMP.1	1	
9	4V4-23171-L0	..PISTON, front fork	1	
10	43M-23170-L0	.CYLINDER COMP., front fork	1	
11	5X6-23152-L0	..SPRING, sub	1	
12	4V4-23157-L0	..RING, piston	2	
13	23X-23173-L0	.SPINDLE, taper	1	
14	43M-23141-L0	.SPRING, front fork	1	
15	4V4-23142-L0	.SEAT, spring upper	2	
16	43M-23118-L0	.SPACER	1	
17	23X-23158-L0	.GASKET	1	
18	122-23129-00	.GASKET, drain plug	1	
19	122-23119-01	.PLUG, drain	1	
20	43M-23111-L0	.BOLT, cap	1	
21	23X-23190-L0	.AIR VALVE COMP.	1	
22	4V4-23188-L0	.O-RING	1	
23	3J2-23147-00	.O-RING	1	
24	43M-2316A-L0	.VALVE COMP.	1	
25	43M-23126-L0	.PLUG	1	
26	43M-23103-L0	FRONT FORK ASSY (R.H)	1	
27	43M-23136-L0	.TUBE, outer 2	1	
28	4V4-23153-L0	.RING, snap	1	

C13

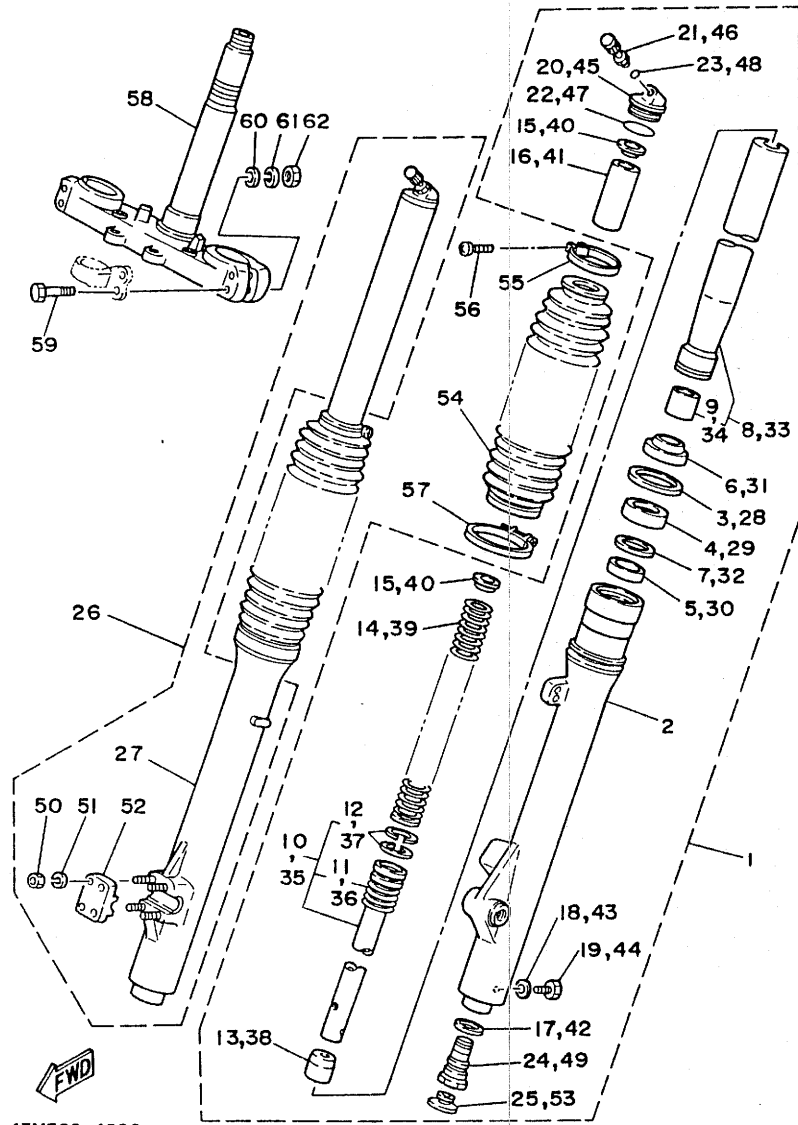


43M300-4220

FIG. 22 FRONT FORK

REF. NO.	PART NO.	DESCRIPTION	Q'TY	REMARKS
29	23X-23145-L0	.OIL SEAL	1	
30	4V4-23125-L0	.METAL, slide 1	1	
31	23X-23144-L0	.SEAL, dust	1	
32	4V4-23146-L0	.WASHER, oil seal	1	
33	43M-23110-L0	.INNER TUBE COMP.1	1	
34	4V4-23171-L0	..PISTON, front fork	1	
35	43M-23170-L0	.CYLINDER COMP., front fork	1	
36	5X6-23152-L0	..SPRING, sub	1	
37	4V4-23157-L0	..RING, piston	2	
38	23X-23173-L0	.SPINDLE, taper	1	
39	43M-23141-L0	.SPRING, front fork	1	
40	4V4-23142-L0	.SEAT, spring upper	2	
41	43M-23118-L0	.SPACER	1	
42	23X-23158-L0	.GASKET	1	
43	122-23129-00	.GASKET, drain plug	1	
44	122-23119-01	.PLUG, drain	1	
45	43M-23111-L0	.BOLT, cap	1	
46	23X-23190-L0	.AIR VALVE COMP.	1	
47	4V4-23188-L0	.O-RING	1	
48	3J2-23147-00	.O-RING	1	
49	43M-2316A-L0	.VALVE COMP.	1	
50	95311-06600	.NUT	4	
51	92901-06100	.WASHER, spring	4	
52	43M-23167-L0	.HOLDER, axle	1	
53	43M-2312G-L0	.PLUG	1	
54	43M-23191-L0	BOOT	2	red
55	43M-23192-L0	BAND	2	
56	98506-04018	SCREW, pan head	2	

C14



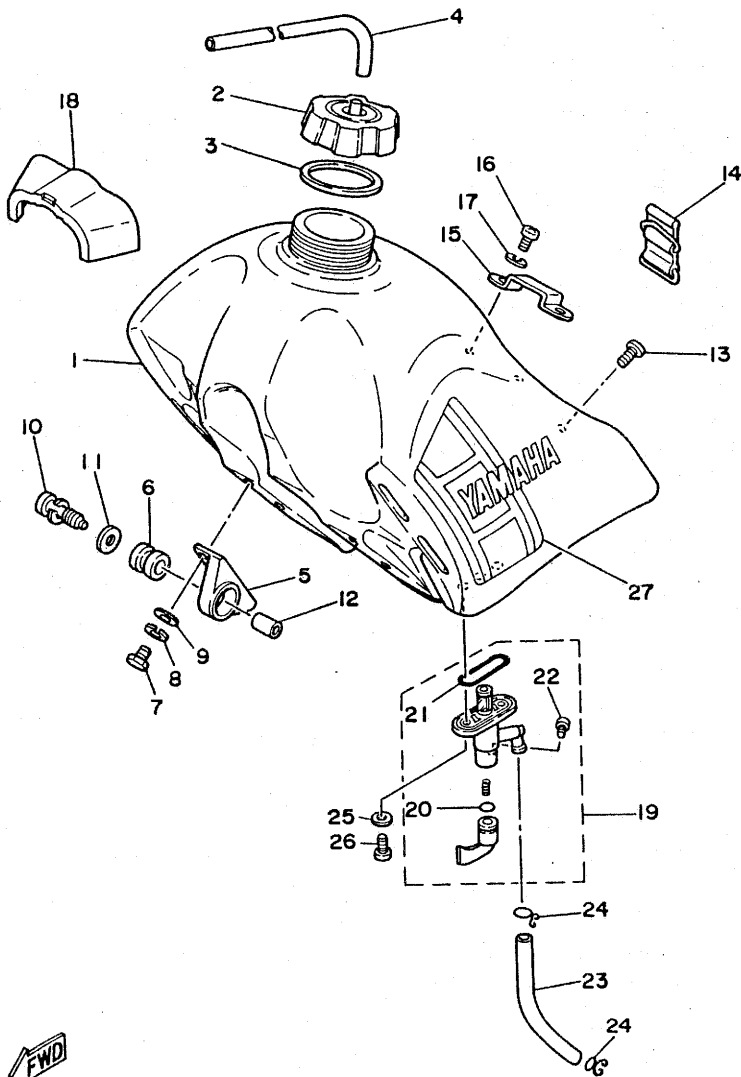
43M300-4220

FIG. 22 FRONT FORK

REF. NO.	PART NO.	DESCRIPTION	Q'TY	REMARKS
57	43M-23489-LO	BAND	2	
58	43M-23340-LO-39	UNDER BRACKET COMP.	1	clear no buffing
59	90109-08397	BOLT	4	
60	90201-08544	WASHER, plate	4	
61	92901-08100	WASHER, spring	4	
62	95311-08600	NUT	4	

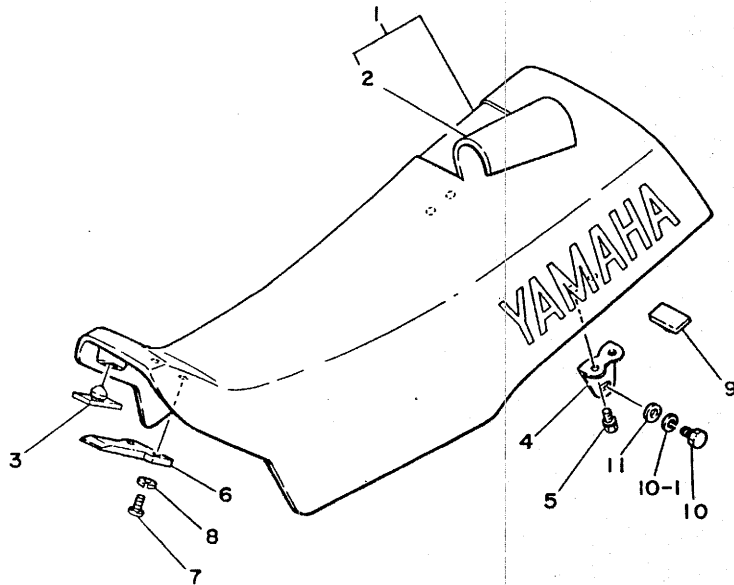
FIG. 23 FUEL TANK

REF. NO.	PART NO.	DESCRIPTION	Q'TY	REMARKS
1	39W-24110-10	FUEL TANK COMP.	1	white
2	5X7-24611-01	BODY, cap	1	
3	5X7-24612-00	GASKET, cap	1	
4	90445-09100	HOSE	1	
5	24X-24144-00	HOLDER, damper	2	
6	90480-18354	GROMMET	2	
7	97301-06016	BOLT	4	
8	92901-06100	WASHER, spring	4	
9	92901-06600	WASHER, plate	4	
10	90119-06073	BOLT, with washer	2	
11	90201-06069	WASHER, plate	2	
12	90387-06553	COLLAR	2	
13	98902-06018	SCREW, bind	1	
14	3R3-24173-00	BAND, tank fitting 1	1	
15	5X6-2412F-00	BRACKET, seat	1	
16	92501-06012	SCREW, pan head	2	
17	92901-06100	WASHER, spring	2	
18	39W-24181-00	DAMPER, locating 1	1	
19	2K5-24500-00	FUEL COCK ASSY 1	1	
20	214-24512-00	.GASKET	1	
21	1A0-24512-00	.O-RING	1	
22	619-24535-00	.SCREW, lever fitting	1	
23	90445-11152	HOSE	1	
24	90467-10008	CLIP	2	
25	90202-06010	WASHER, plate	2	
26	90149-06011	SCREW	2	
27	39W-24250-10	GRAPHIC SET	1	for w



39W100-4230

FIG. 24 SEAT



REF. NO.	PART NO.	DESCRIPTION	Q'TY	REMARKS
1	39W-W2473-10	SEMI-DOUBLE SEAT ASSY	1	red
2	24X-24731-10	.COVER, seat	1	
3	509-24724-00	DAMPER, seat	2	
4	39W-24738-00	BRACKET, seat	2	
5	95801-06012	BOLT, flange	4	
6	5X6-24748-10	BRACKET, seat	1	
7	92501-06012	SCREW, pan head	2	
8	92901-06600	WASHER, spring	2	
9	509-24724-00	DAMPER, seat	1	
• 10	97301-08016	BOLT	2	
• 10-1	92901-08100	WASHER, spring	2	
11	90201-087F0	WASHER, plate	2	



43M300-4241

D3

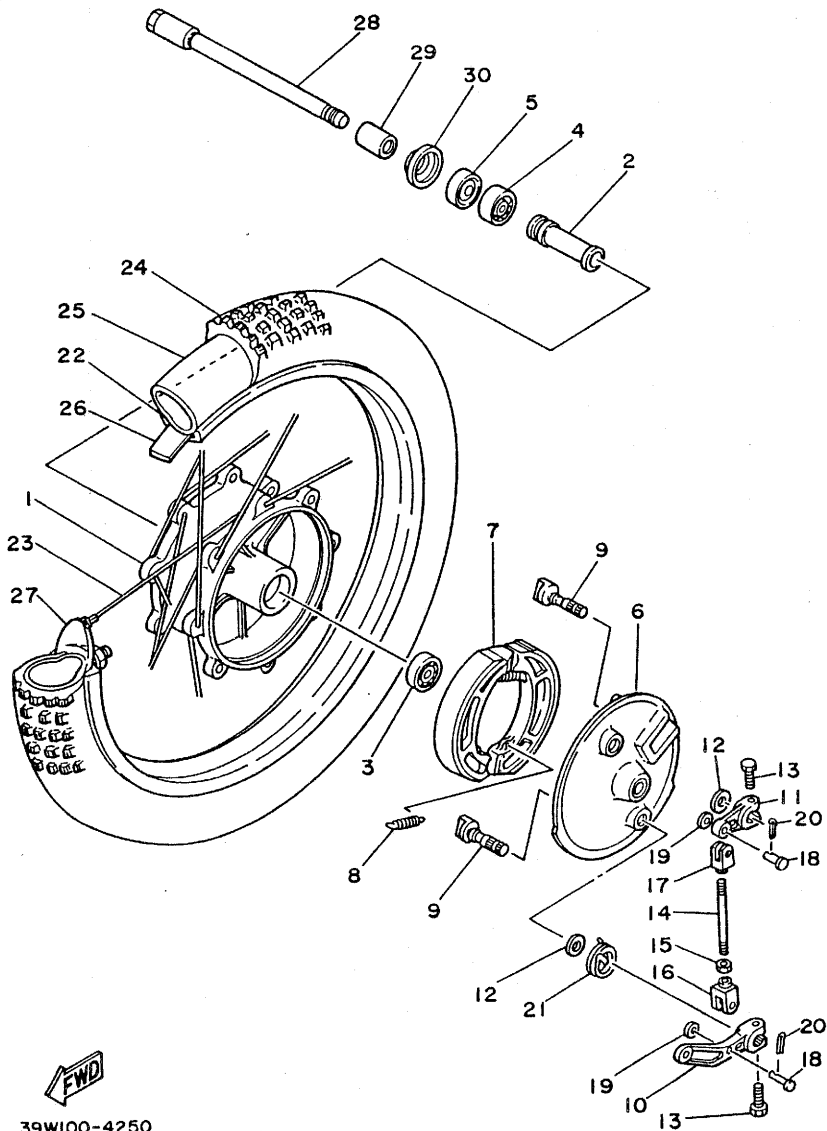


FIG. 25 FRONT WHEEL

REF. NO.	PART NO.	DESCRIPTION	Q'TY	REMARKS
1	39W-25111-00-98	HUB, front	1	low gloss black
2	90560-15227	SPACER	1	
3	93306-20203	BEARING (B6202RS)	1	
4	93306-20205	BEARING (B6202)	1	
5	93106-20021	OIL SEAL	1	
6	3R5-25121-01-98	PLATE, brake shoe	1	low gloss black
7	3R5-25130-00	BRAKE SHOE COMP.	2	
8	90506-16036	SPRING, tension	2	
9	23X-25151-00	CAMSHAFT	2	
10	5X6-25155-00	LEVER, camshaft 1	1	
11	5X6-25156-00	LEVER, camshaft 2	1	
12	137-25159-00	SEAL, camshaft	2	
13	90101-06291	BOLT	2	
14	3R5-25161-00	ROD, connecting	1	
15	95301-06700	NUT	1	
16	3R5-25163-00	END, rod 1	1	
17	3R5-25164-00	END, rod 2	1	
18	90240-06006	PIN, clevis	2	
19	92901-06200	WASHER, plain	2	
20	91401-20015	PIN, cotter	2	
21	90508-20425	SPRING, torsion	1	
22	94416-21382	RIM (1.60-21)	1	
23	39W-25104-00	SPOKE SET, front	1	
24	94130-21732	TIRE (3.00-21)	1	UR bridgestone for Europe
	94109-210F2	TIRE (90/90-21)	1	UR bridgestone except Europe
25	94209-21229	TUBE (90/90-21)	1	bridgestone
26	94330-21084	BAND, rim (3.00-21)	1	bridgestone
27	4V5-25194-00	SPACER, bead	1	

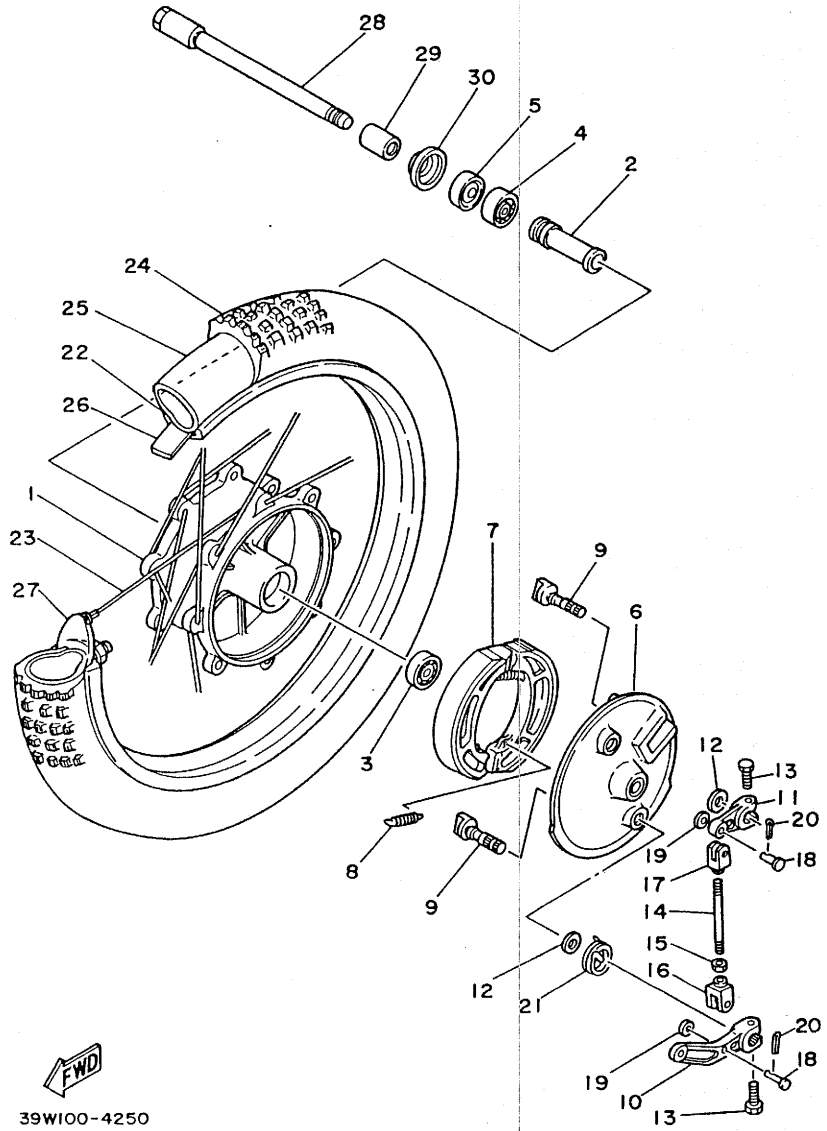


39W100-4250

D4

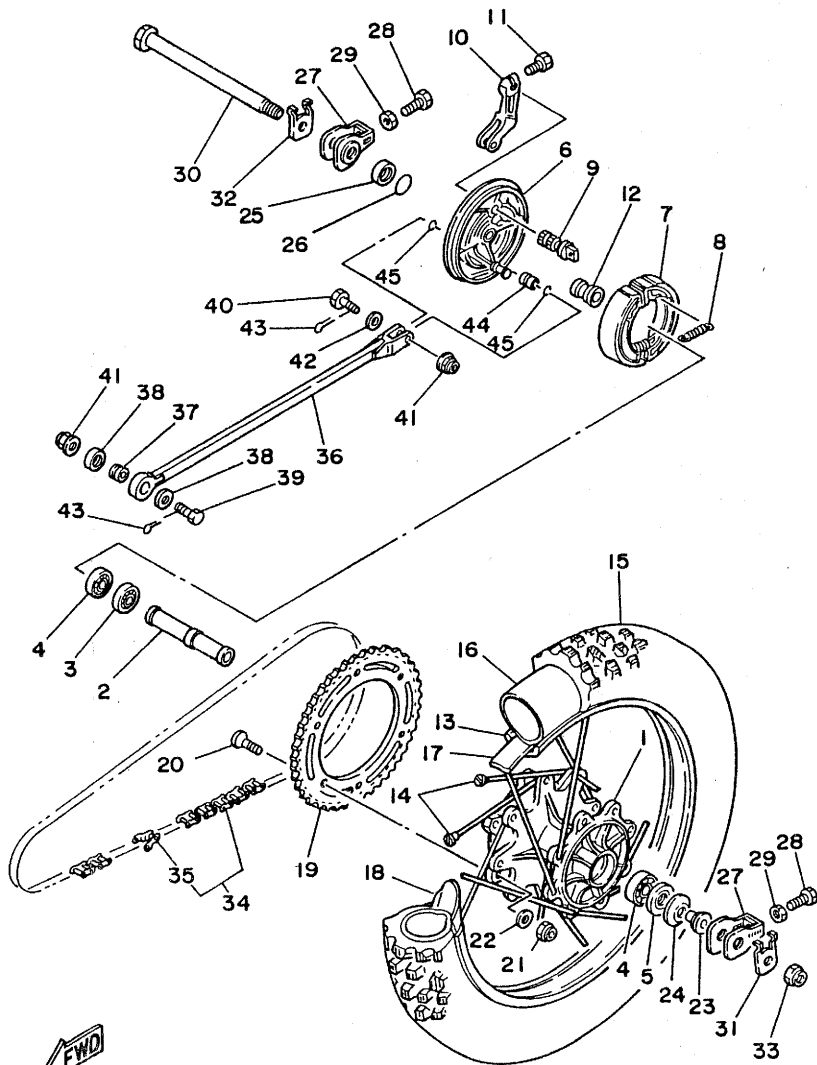
FIG. 25 FRONT WHEEL

REF. NO.	PART NO.	DESCRIPTION	Q'TY	REMARKS
28	3R4-25181-01	AXLE, wheel	1	
29	90387-15535	COLLAR	1	
30	322-25118-00	COVER, hub dust	1	



39W100-4250

D5



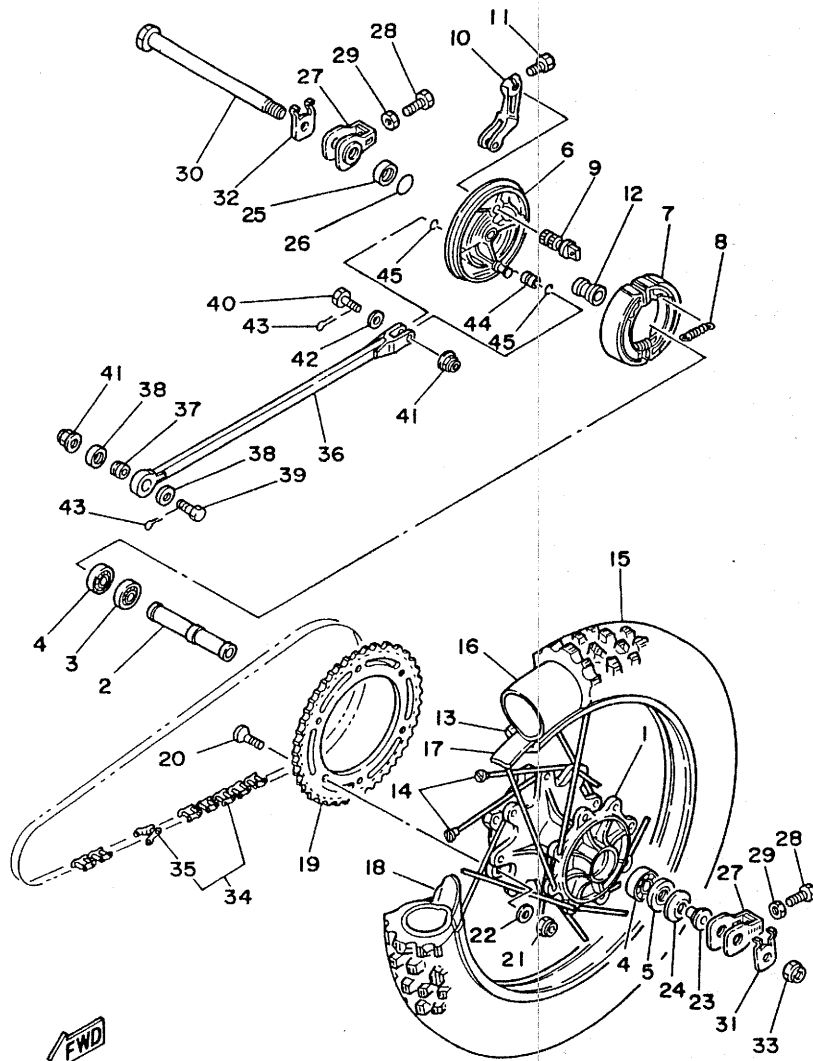
39W100-4260

FIG. 26 REAR WHEEL

REF. NO.	PART NO.	DESCRIPTION	Q'TY	REMARKS
1	39W-25311-00-98	HUB, rear	1	low gloss black
2	90560-17231	SPACER	1	
3	93306-20310	BEARING (B6203RS)	1	
4	93306-20316	BEARING (B6203)	2	
5	93106-25022	OIL SEAL	1	
6	24X-25321-00-98	PLATE, brake shoe	1	low gloss black
7	39W-25330-00	BRAKE SHOE COMP.	2	
8	90506-16036	SPRING, tension	2	
9	24X-25351-00	CAMSHAFT	1	
10	5X4-25355-00	LEVER, camshaft	1	
11	90101-06291	BOLT	1	
12	90387-210H8	COLLAR	1	
13	94418-18384	RIM (1.85-18)	1	
14	39W-25304-00	SPOKE SET, rear	1	
15	94140-18735	TIRE (4.00-18)	1	UR bridgestone for Europe
	94112-180F3	TIER (120/80-18)	1	UR bridgestone except Europe
16	94212-18230	TUBE (120/80-18)	1	bridgestone
17	94330-18087	BAND, rim (3.00-18)	1	bridgestone
18	39W-25394-00	SPACER, bead	2	
19	3R4-25450-00	SPROCKET, driven (50T)	1	
	3R4-25444-01	SPROCKET, driven (44T)	1	AP
	3R4-25445-00	SPROCKET, driven (45T)	1	AP
	3R4-25446-00	SPROCKET, driven (46T)	1	AP
	3R4-25448-00	SPROCKET, driven (48T)	1	AP
	3R4-25452-00	SPROCKET, driven (52T)	1	AP
20	90109-08706	BOLT	6	
21	90185-08089	NUT, self-locking	6	
22	90201-081A6	WASHER, plate	6	

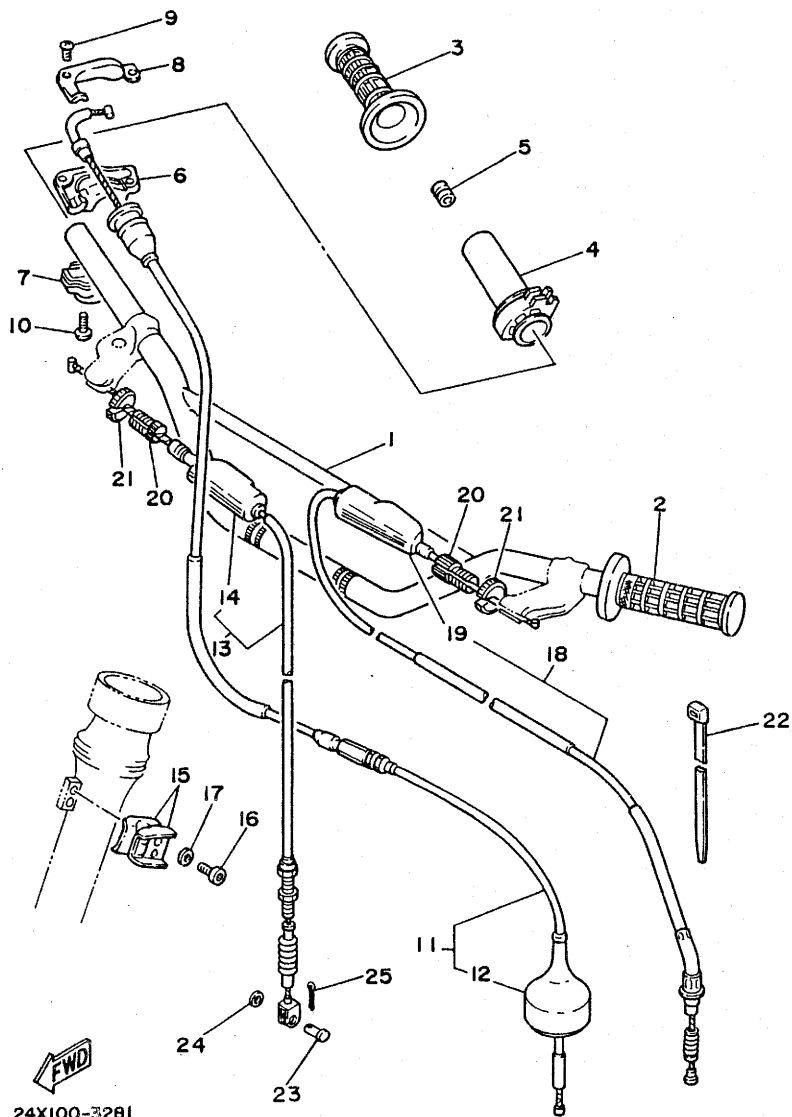
FIG. 26 REAR WHEEL

REF. NO.	PART NO.	DESCRIPTION	Q'TY	REMARKS
23	90387-170H9	COLLAR	1	
24	24X-25367-00	COVER, hub dust	1	
25	275-25327-00	COVER, plate	1	
26	93210-31114	O-RING	1	
27	39W-25388-00	PULLER, chain 1	2	
28	90101-08475	BOLT	2	
29	95301-08700	NUT	2	
30	24X-25381-00	AXLE, wheel	1	
31	90209-16246	WASHER	1	
32	90209-17245	WASHER	1	
33	90185-16103	NUT, self-locking	1	
34	94585-20112	CHAIN, drive (DID520DS 112L)	1	
35	94685-20001	.JOINT, chain	1	
36	39W-25371-00	BAR, tension	1	
37	93399-99910	BEARING	1	
38	93112-19006	OIL SEAL	2	
39	90102-08034	BOLT, with hole	1	
40	90109-08370	BOLT	1	
41	90185-08113	NUT, self-locking	2	
42	92901-08600	WASHER, plate	1	
43	91401-20015	PIN, cotter	2	
44	90387-083F0	COLLAR	1	
45	93210-14167	O-RING	2	



39W100-4260

D7



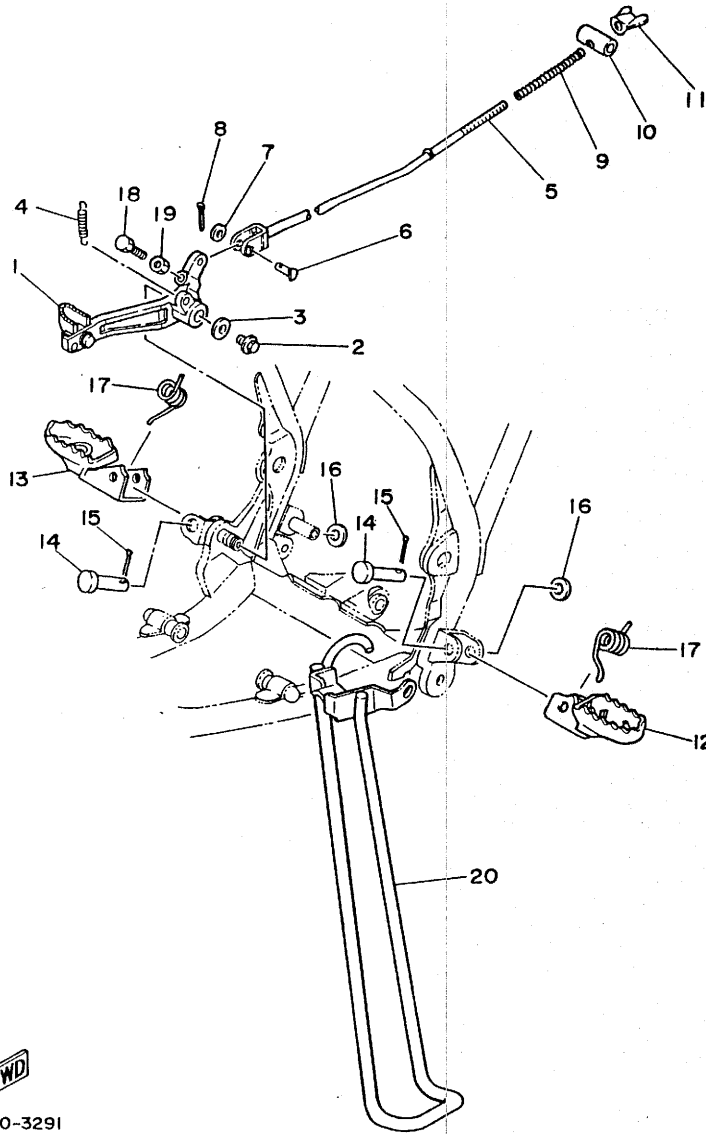
24X100-3281

FIG. 27 STEERING HANDLE. CABLE

REF. NO.	PART NO.	DESCRIPTION	Q'TY	REMARKS
1	23X-26111-00	HANDLEBAR	1	
2	4V4-26241-01	GRIP (L.H)	1	
3	4V4-26242-01	GRIP (R.H)	1	
4	23X-26243-00	TUBE, throttle guide	1	
5	688-82535-00	GROMMET	1	
6	23X-26281-00	CAP, grip upper	1	
7	431-26282-01-98	CAP, grip lower	1	low gloss black
8	5X2-2628H-01	CAP, wire	1	
9	98606-04012	SCREW, oval head	2	
10	98506-05016	SCREW, pan head	2	
11	23X-26311-00	CABLE, throttle 1	1	
12	500-26329-01	.CAP, rubber	1	
13	5X6-26341-00	CABLE, brake	1	
14	382-26372-01	.COVER, handle lever 1	1	
15	90465-16258	CLAMP	2	
16	91311-06016	BOLT	2	
17	92901-06600	WASHER, plate	2	
18	39W-26335-00	CABLE, clutch	1	
19	382-26372-01	.COVER, handle lever 1	1	
20	90123-08090	BOLT	2	
21	90179-08401	NUT	2	
22	90465-13154	CLAMP	1	
23	91701-06018	PIN, clevis	1	
24	92901-06200	WASHER, plain	1	
25	91401-20015	PIN, cotter	1	

D8

FIG. 28 STAND. FOOTREST

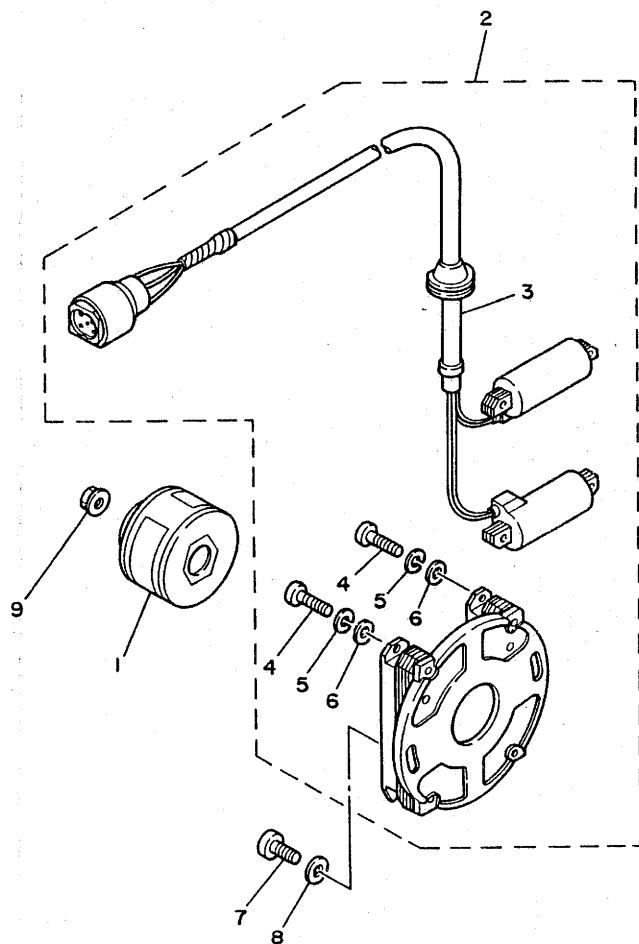


REF. NO.	PART NO.	DESCRIPTION	Q'TY	REMARKS
1	39W-27200-00	PEDAL, brake	1	
2	95801-08012	BOLT, flange	1	
3	90201-08730	WASHER, plate	1	
4	90506-20192	SPRING, tension	1	
5	39W-27231-00	ROD, brake	1	
6	90240-06103	PIN, clevis	1	
7	92901-06200	WASHER, plain	1	
8	91401-20015	PIN, cotter	1	
9	90501-10245	SPRING, compression	1	
10	90249-12008	PIN	1	
11	90175-06016	NUT, wing	1	
12	23X-27411-01	FOOTREST 1	1	
13	23X-27421-01	FOOTREST 2	1	
14	90240-10101	PIN, clevis	2	
15	91401-25020	PIN, cotter	2	
16	90201-10119	WASHER, plate	2	
17	90508-20583	SPRING, torsion	2	
18	90101-06478	BOLT	1	
19	95301-06700	NUT	1	
20	39W-27311-00	STAND, side	1	


24X100-3291

FIG. 29 GENERATOR

REF. NO.	PART NO.	DESCRIPTION	Q'TY	REMARKS
1	39W-85550-10	ROTOR ASSY	1	
2	39W-85510-10	STATOR ASSY	1	
3	39W-85520-10	.COIL, charge	1	
4	98501-05020	.SCREW, pan head	6	
5	92902-05100	.WASHER, spring	6	
6	92901-05600	.WASHER, plate	6	
7	92501-06014	SCREW, pan head	2	
8	92901-06600	WASHER, plate	2	
9	90179-10257	NUT	1	

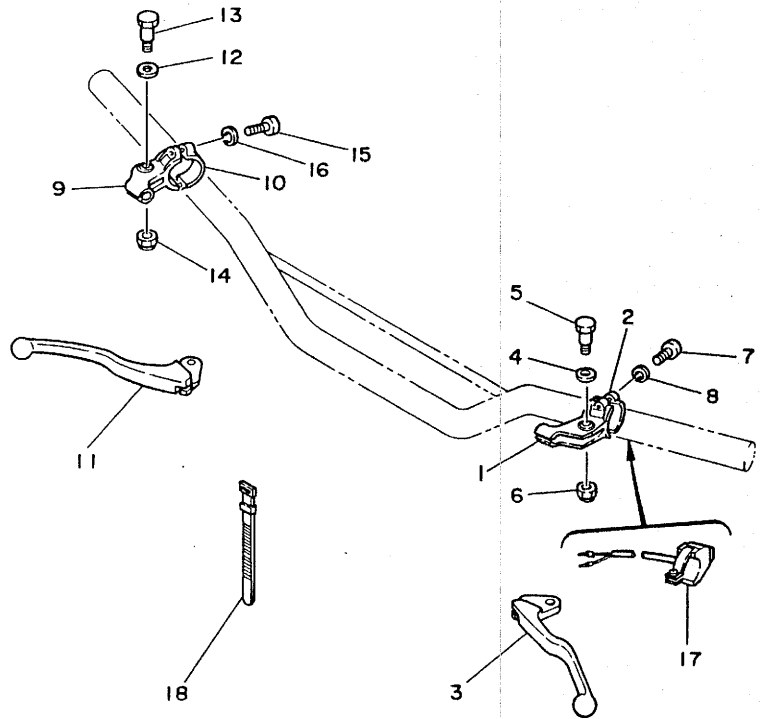


FWD

39W100-4290

D10

FIG. 30 HANDLE SWITCH. LEVER



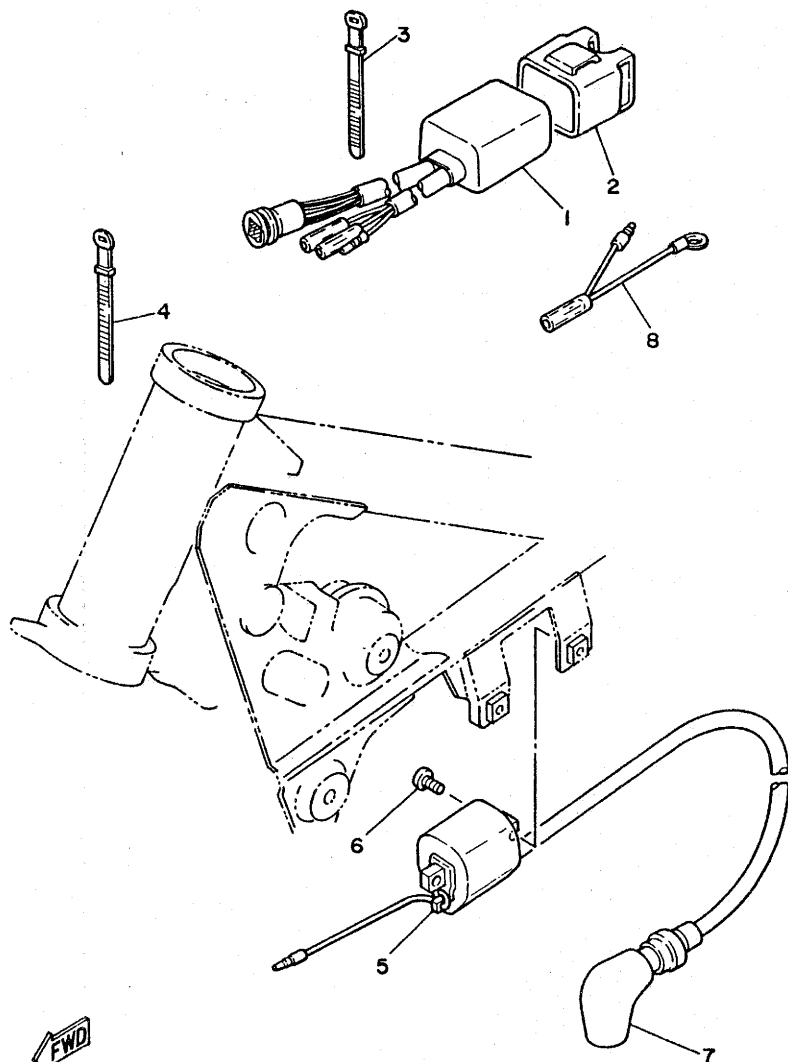
REF. NO.	PART NO.	DESCRIPTION	Q'TY	REMARKS
1	38V-82911-00	HOLDER, lever 1	1	
2	38V-82913-00	HOLDER, lever lower 1	1	
3	23X-83912-00	LEVER 1	1	
4	90201-08083	WASHER, plate	1	
5	90109-06410	BOLT	1	
6	95601-06100	NUT, u	1	
7	98506-05018	SCREW, pan head	2	
8	92906-05100	WASHER, spring	2	
9	38V-82921-00	HOLDER, lever 2	1	
10	38V-82913-00	HOLDER, lever lower 1	1	
11	23X-83922-00	LEVER 2	1	
12	90201-08083	WASHER, plate	1	
13	90109-06410	BOLT	1	
14	95601-06100	NUT, u	1	
15	98506-05018	SCREW, pan head	2	
16	92906-05100	WASHER, spring	2	
17	23X-83976-00	SWITCH, handle 1	1	
18	437-83936-00	BAND, switch cord	2	



39W100-4300

D11

FIG. 31 ELECTRICAL 1



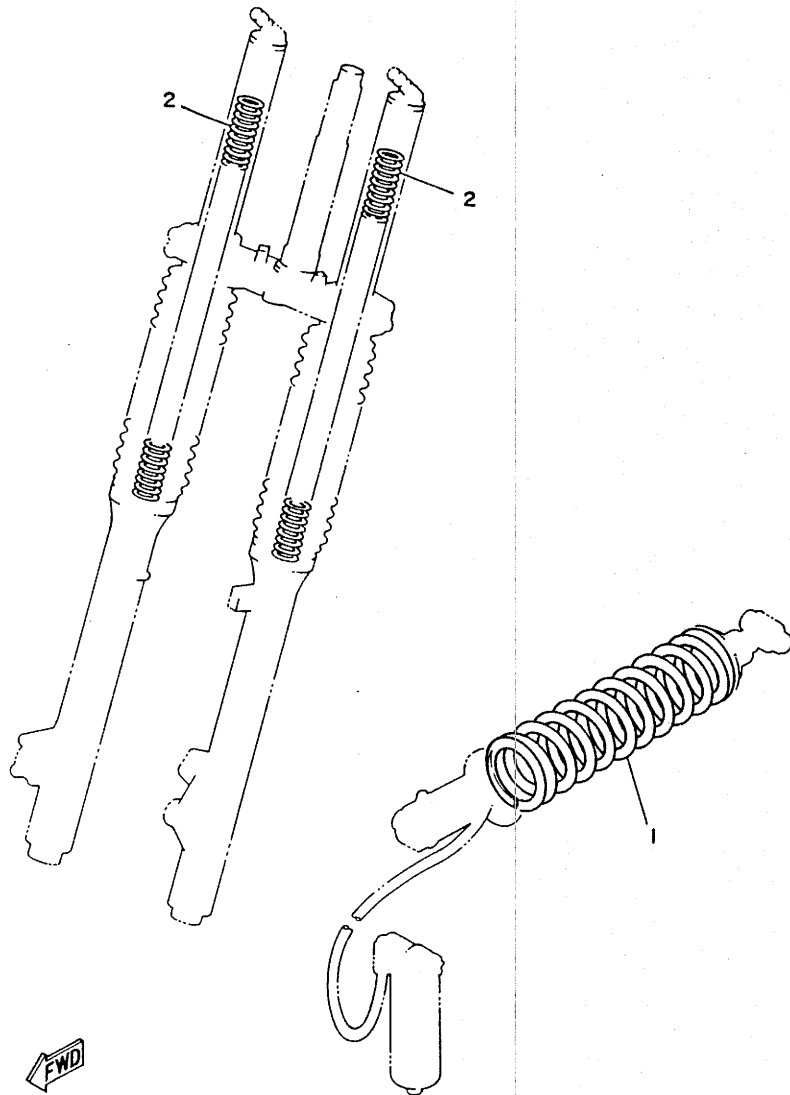
REF. NO.	PART NO.	DESCRIPTION	Q'TY	REMARKS
1	39W-85540-10	C.D.I. UNIT ASSY	1	
2	2A7-85546-00	BAND	1	
3	256-83936-00	BAND, switch cord	1	
4	437-83936-00	BAND, switch cord	2	
5	24X-82310-10	IGNITION COIL ASSY	1	
6	92502-06016	SCREW, pan head	2	
7	3R0-82370-20	PLUG CAP ASSY	1	UR
	1M1-82370-21	PLUG CAP ASSY	1	UR with noisesuppressor
8	5X1-82519-00	WIRE, earth lead	1	



39W100-4310

D12

FIG. 32 ALTERNATE (CHASSIS)



REF. NO.	PART NO.	DESCRIPTION	Q'TY	REMARKS
1	43M-22212-10-6W	SPRING (K=4.25)	1	UR native red,soft
	43M-22212-20-6W	SPRING (K=4.75)	1	UR native red,hard
2	43M-23141-10	SPRING, front fork	2	UR soft
	43M-23141-20	SPRING, front fork	2	UR hard



39W100-4320

D13

FIG. 33 REPAIR KIT

REF. NO.	PART NO.	DESCRIPTION	Q'TY	REMARKS
1	39W-11630-00	PISTON ASSY (STD)	1	AP
	39W-11631-00-95	.PISTON (STD)	1	
2	5X4-11611-00	.RING, piston	1	
3	137-11633-00	.PIN, piston	1	
4	4V2-11634-00	.CLIP, piston pin	2	
5	39W-11630-10	PISTON ASSY (1ST O/S)	1	AP
6	39W-11635-00	.PISTON (0.25MM O/S)	1	
7	5X4-11611-10	.RING, piston	1	
8	137-11633-00	.PIN, piston	1	
9	4V2-11634-00	.CLIP, piston pin	2	
10	39W-11630-20	PISTON ASSY (2ND O/S)	1	AP
11	39W-11636-00	.PISTON (0.50MM O/S)	1	
12	5X4-11611-20	.RING, piston	1	
13	137-11633-00	.PIN, piston	1	
14	4V2-11634-00	.CLIP, piston pin	2	
15	39W-11630-30	PISTON ASSY (3RD O/S)	1	AP
16	39W-11637-00	.PISTON (0.75MM O/S)	1	
17	5X4-11611-30	.RING, piston	1	
18	137-11633-00	.PIN, piston	1	
19	4V2-11634-00	.CLIP, piston pin	2	
20	39W-11630-40	PISTON ASSY (4TH O/S)	1	AP
21	39W-11638-00	.PISTON (1.00MM O/S)	1	
22	5X4-11611-40	.RING, piston	1	
23	137-11633-00	.PIN, piston	1	
24	4V2-11634-00	.CLIP, piston pin	2	
25	5X4-11650-01	CONNECTING ROD ASSY	1	AP
26	5X4-11651-01	.ROD, connecting	1	

FIG. 33 REPAIR KIT

REF. NO.	PART NO.	DESCRIPTION	Q'TY	REMARKS
27	3M5-11681-00	.PIN, crank 1	1	
28	90209-22071	.WASHER	2	
29	93310-522L3	.BEARING, cylindrical	1	
30	93310-216L2	.BEARING, cylindrical	1	

D15

* Interchangeability

Ref. No.	Part No. for OLD	New ↔ Old ↔ New		Part No. for NEW	Description	Q'ty	Modification	Remarks
		↑	↓					
1- 7	39W-11181-00	*		39W-11181-01	Gasket, cylinder head 1	1	○	
1-17	90430-06166	*		90430-06192	Gasket	1	○	
2- 2	90201-057H5	*		90179-05376	Nut	1	○	
2- 5	95601-05100			95601-05100	Nut, u	2 → 1	Δ	
5-11	90460-22252			90460-22252	Clamp, hose	6 → 4	Δ	
5-11-1	_____	*		90460-15227	Clamp, hose	2	+	Added
5-14	97301-06030			97301-06030	Bolt	4 → 2	Δ	
5-15	92901-06600			92901-06600	Washer, plate	4 → 2	Δ	
5-15-1	_____			90119-06073	Bolt	2	+	
5-25	97301-06020			97301-06030	Bolt	2	○	
6-11	90460-68120	*		90460-68199	Clamp, hose	1	○	
6-33	_____			39W-14467-00	Seal	1	+	Added
16-10	95811-08190	*		90105-08326	Bolt	1	○	
16-19	_____			583-24182-00	Damper	1	+	Added
17-10	97301-06012	*		90119-06042	Bolt, with washer	2	○	
17-11	92901-06600			_____	Washer, plate	—	—	Deleted
19-17	95801-06016			95801-06020	Bolt, flange	2	○	
19-17-1	_____	*		90201-06067	Washer, plate	2	+	Added
23-23	90445-11182			90445-11152	Hose	1	○	
24-10	97321-08016			97301-08016	Bolt	2	○	
24-10-1	_____	*		92901-08100	Washer, spring	2	+	Added
25-25	94227-21123			94209-21229	Tube (90/90-21)	1	○	bridgestone
26-16	94237-18120			94212-18230	Tube (120/80-18)	1	○	bridgestone
27-11	39W-26311-00	*		23X-26311-00	Cable, throttle 1	1	○	

Mark : ○ Part modified + Part added — Part deleted Δ Change of parts quantity

NUMERICAL INDEX

PART NO.	GRID NO.	PART NO.	GRID NO.	PART NO.	GRID NO.	PART NO.	GRID NO.	PART NO.	GRID NO.	PART NO.	GRID NO.
39W-1132-00	B- 2	39W-11637-00	B- 5	23X-14103-00	B-10	39W-15620-00	B-14	39W-21611-10	C- 7	43M-2312G-L0	C-14
5X4-1133-00	B- 2		D-14	23X-14104-00	B-10	39W-15621-00	B-14	39W-21629-00	C- 7	4V4-23125-L0	C-13
39W-11441-00	B- 8	39W-11638-00	B- 5	23X-14106-00	B-10	3R3-15641-00	B-14	39W-21642-00	C- 7		C-14
39W-12473-10	D- 3		D-14	24X-14107-30	B-10	3R3-15651-01	B-14	39W-21711-10-98	C- 8	43M-23126-L0	C-13
39W-11111-00	B- 2	5X4-11650-01	D-14	2X7-14112-20	B-10	248-15654-00	B-14	24X-2172A-01	C- 8	122-23129-00	C-13
39W-11181-01	B- 2	5X4-11651-01	B- 5	510-14115-00	B-10	39W-15660-00	B-14	39W-21721-10-98	C- 8		C-14
39W-1131A-01	B- 2		D-14	363-14131-00	B-10	3R3-15666-00	B-14	39W-21731-10	C- 8	43M-23136-L0	C-13
24X-1131E-00	B- 2	3M5-11681-00	B- 5	239-14141-42	B-10	24X-16111-00	B-15	39W-21737-10	B- 8	43M-23141-L0	C-13
5X4-1131N-00	B- 2		D-15	193-14142-50	B-10	39W-16150-00	B-15		C- 8		C-14
39W-11311-00	B- 2	5X5-11911-01	B- 4	137-14143-72	B-10	24X-16321-00	B-15	39W-2174F-00	C- 8	43M-23141-10	D-13
24X-11351-00	B- 2	5X5-11912-01	B- 4	137-14143-76	B-10	24X-16324-00	B-15	39W-21741-10	C- 8	43M-23141-20	D-13
24X-11400-00	B- 5	5X4-11915-00	B- 3	3R4-14146-00	B-10	24X-16351-00	B-15	3R2-21782-00	C- 8	4V4-23142-L0	C-13
24X-11412-00	B- 5	5X4-11921-01	B- 4	558-14147-00	B-10	1W1-16356-01	B-15		C- 8		C-14
5X4-11422-00	B- 5	5X4-11922-00	B- 4	1M1-14169-00	B-10	353-16357-00	B-15	22W-21791-00	C- 8	23X-23144-L0	C-13
5X4-11611-00	B- 5	5X4-11931-00	B- 4	1W3-14175-00	B-10	1W1-16358-00	B-15	39W-22110-00	C- 9		C-14
	D-14	5X5-11937-00	B- 2	363-14184-00	B-10	24X-16371-00	B-15	156-22127-00	C- 9	23X-23145-L0	C-13
5X4-11611-10	B- 5	5X4-11952-00	B- 4	2N7-14185-00	B-10	3R3-16380-02	B-15	2K6-22128-01	C- 9		C-14
	D-14	24X-11953-00	B- 4	537-14186-00	B-10	5X4-17121-02	C- 2	23X-22129-00	C-10	4V4-23146-L0	C-13
5X4-11611-20	B- 5	24X-11990-00	B- 4	2X7-14194-00	B-10	5X4-17131-03	C- 2	5X4-22141-01	C- 9		C-14
	D-14	24X-11992-00	B- 3	2K7-14197-00	B-10	5X4-17151-01	C- 2	39W-22151-00	C- 9	3J2-23147-00	C-13
5X4-11611-30	B- 5	5X4-11993-00	B- 3	310-14197-00	B-10	5X4-17161-01	C- 2	39W-2217A-00	C- 9		C-14
	D-14	5X4-11995-00	B- 3	43M-14412-00	B- 8	5X4-17211-01	C- 2	39W-2217F-00	C- 9	5X6-23152-L0	C-13
5X4-11611-40	B- 5	39W-1240A-00	B- 7	39W-14451-00	B- 8	5X4-17221-02	C- 2	22W-22178-01	C- 6		C-14
	D-14	24X-12422-00	B- 6	39W-14452-00	B- 8	5X4-17231-02	C- 2	5X3-2218A-00	C-10	4V4-23153-L0	C-13
39W-11630-00	D-14	24X-12428-00	B- 6	39W-14453-00	B- 8	24X-17241-00	C- 2	4V4-22184-00	C- 6		C-13
39W-11630-10	D-14	24X-12436-00	B- 6	39W-14457-00	B- 8	24X-17251-00	C- 2	39W-22199-00	C- 9	4V4-23157-L0	C-13
39W-11630-20	D-14	24X-12450-00	B- 6	39W-14458-00	B- 8	24X-17261-00	C- 2	43M-22201-00	C-11		C-14
39W-11630-30	D-14	24X-12459-00	B- 6	39W-14459-00	B- 8	24X-17411-00	C- 2	43M-22210-00-6W	C-11	23X-23158-L0	C-13
39W-11630-40	D-14	39W-12460-00	B- 7	39W-14462-00	B- 8	137-17417-00-05	B-14				C-14
39W-11631-00-94	B- 5	22W-12462-00	B- 7	39W-14467-00	B- 9	5X4-17421-00	C- 2	43M-22212-00-6W	C-11	43M-2316A-L0	C-13
39W-11631-00-95	B- 5	24X-12465-00	C- 8	4V2-14468-01	B- 8	1G8-17461-10	C- 3	43M-22212-10-6W	D-13		C-14
	D-14	24Y-12469-00	B- 7	39W-14610-00	B-11	1G8-17461-20	C- 3	43M-22212-20-6W	D-13	43M-23167-L0	C-14
137-11633-00	B- 5	39W-12476-00	B- 7	3R3-14613-00	B-11	1G8-17461-30	C- 3	43M-22214-00	C-11	43M-23170-L0	C-13
	D-14	39W-12477-00	B- 7	24X-1469A-00	B-11	3R3-17471-00	C- 2	43M-22216-00	C-11		C-14
	D-14	39W-1248A-00	B- 7	39W-14753-00	B-11	24X-18101-00	C- 5	24X-22261-00	C-11	4V4-23171-L0	C-13
	D-14	39W-12481-00	B- 7	24X-14771-00	B-11	24X-18110-00	C- 5	24X-22262-00	C-11		C-14
	D-14	39W-12482-00	B- 7	39W-1490J-00	B-10	3R3-18140-00	C- 4	43M-22475-00	C-11	23X-23173-L0	C-13
	D-14	39W-12483-00	B- 7	24X-15111-00	B-12	1W1-18177-00	C- 4	43M-23102-L0	C-13		C-14
4V2-11634-00	B- 5	39W-12484-00	B- 7	4V4-15118-00	B-12	5X4-18511-00	C- 4	43M-23103-L0	C-13	4V4-23188-L0	C-13
	D-14	39W-12485-00	B- 7	24X-15121-00	B-12	5X4-18512-00	C- 4	43M-23110-L0	C-13		C-14
	D-14	353-13115-01	B-12	3R3-15128-01	B-12	5X4-18513-00	C- 4			34K-2319U-00	C-12
	D-14	39W-13565-00	B- 8	1G8-15362-00	B-13	5X5-18531-01	C- 4	43M-23111-L0	C-13	23X-23190-L0	C-13
	D-14	39W-13610-00	B- 8	5X4-15379-01	B-12	5X5-18535-01	C- 4				C-14
	D-14	3R3-13613-00	B- 8	2K7-15383-00	C- 2	24X-18540-00	C- 4	43M-23118-L0	C-13	43M-23191-L0	C-14
39W-11635-00	B- 5	39W-13616-00	B- 8	24X-15411-00	B-13	39W-21110-00-FH	C- 6			43M-23192-L0	C-14
	D-14	39W-13621-00	B- 8	39W-15421-00	B-13	39W-21419-00	C- 6	122-23119-01	C-13	43M-23340-L0-39	C-15
39W-11636-00	B- 5	39W-13625-00	B- 9	3R3-15431-00	B-13	5X6-21511-10	C- 7			3R4-23389-00	C-12
	D-14	26A-1410A-00	B-10	5X4-15451-00	B-13	4V2-21543-01	C- 7	43M-2312G-L0	C-13	24X-23395-00	C-12
		39W-14101-00	B-10	5X4-15455-00	B-13						
		43M-14101-00	B-10	5X4-15618-00	B-14						

NUMERICAL INDEX

PART NO.	GRID NO.	PART NO.	GRID NO.	PART NO.	GRID NO.	PART NO.	GRID NO.	PART NO.	GRID NO.	PART NO.	GRID NO.
1W1-23416-00	C-12	39W-25388-00	D- 7	2A7-85546-00	D-12	90185-16103	D- 7	90209-17245	D- 7	90460-51109	B- 8
39W-23435-00-98	C-12	39W-25394-00	D- 6	39W-85550-10	D-10	90185-16127	C- 9	90209-18135	C- 2	90460-68199	B- 8
1E6-23441-00	C-12	3R4-25444-01	D- 6	2K7-85555-00	C- 6	90201-05029	C- 8	90209-22071	B- 5	90462-05005	B- 8
24X-23485-10	C-12	3R4-25445-00	D- 6	90101-06291	D- 4	90201-05376	B- 4		D-15	90465-13154	D- 8
43M-23489-10	C-15	3R4-25446-00	D- 6		D- 6	90201-06052	C- 7	90214-09019	C- 6	90465-16258	D- 8
39W-24110-10	D- 2	3R4-25448-00	D- 6	90101-06478	D- 9	90201-06067	B-13	90215-14204	B-15	90467-09006	B- 7
5X6-2412F-00	D- 2	3R4-25450-00	D- 6	90101-08475	D- 7		C-10	90215-16127	C- 3	90467-10008	D- 2
24X-24144-00	D- 2	3R4-25452-00	D- 6	90102-08034	D- 7	90201-06069	D- 2	90240-06006	D- 4	90468-26048	B-14
3R3-24173-00	D- 2	23X-26111-00	D- 8	90105-08326	C- 6	90201-06570	B- 7	90240-06103	D- 9	90480-15064	B- 7
22W-24181-00	B- 7	4V4-26241-01	D- 8	90109-06410	D-11		B- 7	90240-10101	D- 9	90480-18276	B- 7
	C- 8	4V4-26242-01	D- 8		D-11	90201-06571	C- 7	90240-12090	B-14	90480-18354	D- 2
39W-24181-00	D- 2	23X-26243-00	D- 8	90109-08370	D- 7		C- 8	90249-12008	D- 9	90480-22269	B-11
583-24182-00	C- 6	5X2-2628H-01	D- 8	90109-08397	C-15		C- 8	90250-06013	C- 4	90480-25381	C-11
362-24182-00	C- 6	23X-26281-00	D- 8	90109-08512	B-11		C-12	90267-40115	B-11	90501-10245	D- 9
39W-24250-10	D- 2	431-26282-01-98	D- 8	90109-08706	D- 6	90201-08083	D-11	90280-03017	B- 5	90501-12081	B-14
2K5-24500-00	D- 2	23X-26311-00	D- 8	90109-10700	C-11		D-11	90282-05053	B- 5	90501-20361	B-15
1A0-24512-00	D- 2	500-26329-01	D- 8	90109-10702	C-10	90201-081A6	D- 6	90340-12059	B-12	90501-30742	B- 4
214-24512-00	D- 2	39W-26335-00	D- 8	90109-10703	C-10	90201-081G0	B- 6	90380-15104	B- 4	90504-03033	B- 8
619-24535-00	D- 2	5X6-26341-00	D- 8	90109-10704	C-11	90201-08113	C- 6	90380-16077	C- 9	90506-16036	D- 4
5X7-24611-01	D- 2	382-26372-01	D- 8	90109-12701	C- 9	90201-08114	B-11	90380-22111	C- 9		D- 6
5X7-24612-00	D- 2		D- 8	90116-08318	B- 2	90201-08544	C-15	90387-060A7	B- 7	90506-20192	D- 9
509-24724-00	D- 3	39W-27200-00	D- 9	90116-08392	B- 2	90201-08649	B- 2	90387-06653	D- 2	90507-20030	B-11
24X-24731-10	D- 3	39W-27231-00	D- 9	90116-08394	B- 2	90201-087F0	D- 3	90387-06681	C- 7	90508-14426	B-15
39W-24738-00	D- 3	39W-27311-00	D- 9	90116-08409	B- 2	90201-08730	D- 9	90387-07392	B- 7	90508-20425	D- 4
5X6-24748-10	D- 3	23X-27411-01	D- 9	90119-06042	C- 7	90201-100E9	C-10	90387-081A3	B-11	90508-20583	D- 9
39W-25104-00	D- 4	23X-27421-01	D- 9	90119-06063	C- 7		C-11	90387-083F0	D- 7	90508-26427	B-14
39W-25111-00-98	D- 4	43M-28100-00	C- 6	90119-06073	B- 7	90201-10119	D- 9	90387-102F3	B- 2	90508-26435	C- 4
322-25118-00	D- 5	2X4-2811A-00	C- 6		D- 2	90201-10138	B- 6	90387-121H1	C-10	90508-29361	C- 5
3R5-25121-01-98	D- 4	23X-28135-00	C- 6	90123-08090	D- 8	90201-10430	C-10	90387-14766	C- 9	90560-08213	B- 4
3R5-25130-00	D- 4	24X-82310-10	D-12	90149-06011	D- 2		C-11	90387-14767	C- 9	90560-11189	C- 5
23X-25151-00	D- 4	1M1-82370-21	D-12	90159-05011	B-15	90201-120A5	C- 9	90387-152F2	B- 4	90560-15227	D- 4
5X6-25155-00	D- 4	3R0-82370-20	D-12	90159-05100	C- 8	90201-120E6	C-10	90387-15535	D- 5	90560-17231	D- 6
5X6-25156-00	D- 4	5X1-82519-00	D-12		C- 8		C-11	90387-16781	B-12	90560-17232	B-15
137-25159-00	D- 4	688-82535-00	D- 8	90170-14171	B-15	90201-14217	B-15	90387-170H9	D- 7	91311-06016	D- 8
3R5-25161-00	D- 4	7F6-82591-00	C- 6	90175-06016	D- 9	90201-14222	C- 9	90387-202A0	C- 3	91316-04006	B- 4
3R5-25163-00	D- 4	38V-82911-00	D-11	90179-08246	B- 2	90201-151A7	B- 4	90387-202F0	B-15	91316-06035	B-12
3R5-25164-00	D- 4	38V-82913-00	D-11	90179-08401	D- 8		B- 4	90387-210H8	D- 6	91316-06040	B-12
3R4-25181-01	D- 5		D-11	90179-10257	D-10	90201-154F5	B- 4	90430-06016	B-13	91316-06050	B-12
4V5-25194-00	D- 4	38V-82921-00	D-11	90179-10272	B-14	90201-154F6	B- 4	90430-06166	B- 6	91401-20015	D- 4
39W-25304-00	D- 6	23X-83912-00	D-11	90179-12373	B-15	90201-15701	C- 2	90430-06192	B- 2		D- 7
39W-25311-00-98	D- 6	23X-83922-00	D-11	90179-16226	C- 3	90201-160F6	C- 9	90430-12038	B-12		D- 8
24X-25321-00-98	D- 6	256-83936-00	D-12	90179-22330	C-12	90201-171G6	B-15	90445-08376	B-12		D- 9
275-25327-00	D- 7	437-83936-00	D-11	90179-25033	C-12		B-15	90445-09100	D- 2	91401-25020	D- 9
39W-25330-00	D- 6		D-12	90185-08089	D- 6	90201-20266	C- 2	90445-11152	D- 2	91401-40020	B-14
24X-25351-00	D- 6	23X-83976-00	D-11	90185-08106	C- 9	90201-22555	C- 2	90446-09079	B- 7	91701-06018	D- 8
5X4-25355-00	D- 6	39W-85510-10	D-10	90185-08113	C- 6	90201-22680	C- 9	90460-15227	B- 7	91810-03014	B- 2
24X-25367-00	D- 7	39W-85520-10	D-10		D- 7	90202-06010	D- 2	90460-22252	B- 7		B- 2
39W-25371-00	D- 7	39W-85540-10	D-12	90185-10120	C-10	90209-16246	D- 7	90460-31253	B- 7	91830-21014	B-12
24X-25381-00	D- 7				C-11	90209-16255	C- 2				
				90185-12119	C-11						
					C- 9						

NUMERICAL INDEX

PART NO.	GRID NO.	PART NO.	GRID NO.	PART NO.	GRID NO.	PART NO.	GRID NO.	PART NO.	GRID NO.	PART NO.	GRID NO.
91830-21014	B-13	92902-05100	B-10	93332-00023	C-12	95801-08012	D- 9				
92501-06010	B-12		D-10	93399-99910	D- 7	95802-08012	C- 6				
92501-06012	D- 2	92902-06700	C- 7	93410-17037	B-14	95802-08045	C- 9				
	D- 3	92906-05100	D-11	93410-20038	C- 2	95811-08095	C- 6				
92501-06014	B-13		D-11	93410-22039	C- 2	95821-08016	C- 6				
	C- 8	92906-06600	B- 8	93410-30012	B-14	95821-08035	C-12				
	C- 8		B-13	93430-08006	B- 6	95821-08040	C-12				
	D-10	93101-17062	B-14	93430-10016	C- 5	95826-06010	B- 2				
92501-06020	B-13	93102-14308	B-15	93440-15012	B-14	95826-06020	B- 6				
92501-08010	B-12	93102-25258	B- 5		C- 2	97301-06012	B- 9				
92502-06016	D-12	93102-26042	C- 2	93503-16010	B-15	97301-06016	C- 7				
92506-06008	B-13	93103-12119	B- 6	93507-32009	B-14		D- 2				
92506-06016	B- 8	93103-28126	B- 5	93521-64032	B- 4	97301-06020	C- 7				
92506-06020	B- 6	93104-08040	B- 4	93603-13185	B- 4	97301-06025	B- 8				
92506-06025	B-13	93104-16074	B- 2	93603-14179	B- 4	97301-06030	B- 7				
	B-13	93106-20021	D- 4	93604-10011	B- 6	97301-08016	C- 8				
92506-06045	B-13	93106-22019	C- 9	93604-16092	B-15		D- 3				
92506-06055	B-13	93106-25022	D- 6	93608-25150	C- 5	97321-06012	C- 2				
92701-06012	C- 3	93108-35004	C- 9	93700-06004	C- 9	97321-06025	C- 5				
92900-06200	B-15	93109-12012	C- 5		C-10	97501-06116	B-11				
92901-05100	C- 8	93109-20029	C- 9	93700-06005	C-10	97602-03108	B- 8				
92901-05200	B- 8	93112-19006	D- 7	94109-210F2	D- 4	97801-06012	C-12				
92901-05600	B- 4	93210-09192	B- 2	94112-180F3	D- 6	98501-05016	B-10				
	D-10	93210-14104	B-13	94130-21732	D- 4	98501-05020	D-10				
92901-06100	B- 9	93210-14167	D- 7	94140-18735	D- 6	98501-05030	C- 8				
	C- 7	93210-27244	B- 2	94209-21229	D- 4	98506-04018	C-14				
	C- 8	93210-31114	D- 7	94212-18230	D- 6	98506-05010	B- 3				
	C- 8	93300-60801	B- 4	94330-18087	D- 6	98506-05012	B- 2				
	C-14	93306-00106	C- 4	94330-21084	D- 4	98506-05016	B- 3				
	D- 2	93306-20203	D- 4	94416-21382	D- 4		D- 8				
	D- 2	93306-20205	D- 4	94418-18384	D- 6	98506-05018	B- 3				
92901-06200	B-13	93306-20310	D- 6	94585-20112	D- 7		D-11				
	D- 4	93306-20316	D- 6	94685-20001	D- 7		D-11				
	D- 8	93306-20529	B- 5	95300-06600	B-15	98506-05025	B- 3				
	D- 9	93306-30303	C- 2	95301-06700	D- 4	98606-04012	D- 8				
92901-06600	B- 7	93306-30411	C- 2		D- 9	98902-06018	D- 2				
	B- 7	93306-30421	B- 5	95301-08700	D- 7						
	B- 8	93310-216L2	B- 5	95311-06600	C-14						
	B- 9		D-15	95311-08600	B- 2						
	D- 2	93310-522L3	B- 5		C-15						
	D- 3		D-15	95601-05100	B- 4						
	D- 8	93311-31515	C- 2		B- 8						
	D-10	93311-41530	C- 2	95601-06100	C- 7						
92901-08100	C- 8	93315-21429	B-15		D-11						
	C-15	93315-31732	C-10		D-11						
	D- 3	93317-32034	C- 9	95611-10100	C-10						
92901-08200	C- 6	93317-32231	C- 9	95801-06012	D- 3						
	C- 8	93332-00008	C-12	95801-06020	C- 9						
92901-08600	D- 7										

PARTS NAME INDEX

DESCRIPTION	GRID NO.	DESCRIPTION	GRID NO.	DESCRIPTION	GRID NO.
AIR CLEANER CASE COMP.	B- 8	BOLT	B-12	CABLE, throttle 1	D- 8
AIR SCREW SET	B-10	*	C- 2	CAMSHAFT	D- 4
AIR VALVE COMP.	C-13	*	C- 5	*	D- 6
*	C-14	*	C- 6	CAP	B-10
ARM, relay	C- 9	*	C- 7	*	C-12
AXLE, drive	C- 2	*	C- 8	CAP, cleaner case 1	B- 8
AXLE, main	C- 2	*	C- 9	CAP, grip lower	D- 8
AXLE, wheel	D- 5	*	C-10	CAP, grip upper	D- 8
*	D- 7	*	C-11	CAP, radiator	B- 7
BALL	B- 4	*	C-15	CAP, rubber	D- 8
*	B-14	*	D- 2	CAP, wire	D- 8
*	B-15	*	D- 3	CARBURETOR ASSY 1	B-10
BAND	C- 6	*	D- 4	CHAIN, drive (DID520DS 112L)	D- 7
*	C-14	*	D- 6	CIRCLIP	B- 6
*	C-15	*	D- 7	*	B-14
*	D-12	*	D- 8	*	C- 2
BAND, rim (3.00-18)	D- 6	*	D- 9	*	C- 5
BAND, rim (3.00-21)	D- 4	*	D-11	CLAMP	B- 8
BAND, switch cord	D-11	BOLT, cap	C-13	*	D- 8
*	D-12	*	C-14	CLAMP, hose	B- 7
BAND, tank fitting 1	D- 2	BOLT, flange	B- 2	*	B- 8
BAR, shift fork guide 1	C- 4	*	B- 6	CLIP	B- 7
BAR, shift fork guide 2	C- 4	*	C- 6	*	B-14
BAR, tension	D- 7	*	C- 9	*	D- 2
BEARING	C- 4	*	C-12	CLIP, piston pin	B- 5
*	C-12	*	D- 3	*	D-14
*	D- 7	*	D- 9	COIL, charge	D-10
BEARING (B0060)	B- 4	BOLT, stopper	C- 4	COLLAR	B- 2
BEARING (B6202)	D- 4	BOLT, stud	B- 2	*	B- 4
BEARING (B6202RS)	D- 4	BOLT, with hole	D- 7	*	B- 7
BEARING (B6203)	D- 6	BOLT, with washer	B-11	*	B-11
BEARING (B6203RS)	D- 6	*	C- 7	*	B-12
BEARING (B6205C4)	B- 5	*	D- 2	*	B-15
BEARING (B6303Z)	C- 2	BOOT	C-14	*	C- 3
BEARING (B6304)	C- 2	BOSS, clutch	B-15	*	C- 7
BEARING (B6304C3)	B- 5	BOSS, kick crank	B-14	*	C- 9
BEARING, cylindrical	B- 5	BOSS, lever	B- 2	*	C-10
*	B-15	BRACKET, engine 2	C- 6	*	C-11
*	C- 2	BRACKET, seat	D- 2	*	D- 2
*	C- 9	*	D- 3	*	D- 5
*	C-10	BRAKE SHOE COMP.	D- 4	*	D- 6
*	D-15	*	D- 6	*	D- 7
BODY, cap	D- 2	BUSH	C- 6	CONNECTING ROD ASSY	D-14
BOLT	B- 4	BUSH, solid	B- 4	CONNECTOR, suction pipe	B-12
*	B- 7	*	C- 9	COVER, ball race 2	C-12
*	B- 8	C.D.I. UNIT ASSY	D-12	COVER, crankcase 1	B-13
*	B- 9	CABLE ADJUST SCREW SET	B-10	COVER, crankcase 2	B-13
*	B-11	CABLE, brake	D- 8		
		CABLE, clutch	D- 8		

PARTS NAME INDEX

DESCRIPTION	GRID NO.	DESCRIPTION	GRID NO.	DESCRIPTION	GRID NO.
COVER, crankcase 3	B-13	FORK, shift 2	C- 4	GROMMET	C-11
COVER, handle lever 1	D- 8	FORK, shift 3	C- 4	*	D- 2
COVER, housing	B- 6	FRAME COMP.	C- 6	*	D- 8
COVER, hub dust	D- 5	FRONT FORK ASSY (L.H.)	C-13	GUARD, flap	C- 7
*	D- 7	FRONT FORK ASSY (R.H.)	C-13	GUARD, mud	C- 7
COVER, kick lever	B-14	FUEL COCK ASSY 1	D- 2	GUARD, radiator	C- 8
COVER, plate	D- 7	FUEL TANK COMP.	D- 2	GUIDE	B- 8
COVER, seat	D- 3	GASKET	B- 2	GUIDE, cable	C-12
COVER, side 1	C- 8	*	B- 6	HANDLEBAR	D- 8
COVER, side 2	C- 8	*	B-12	HEAD, cylinder 1	B- 2
COVER, side 3	C- 8	*	B-13	HOLDER	B-12
COVER, side 4	C- 8	*	C-13	HOLDER 1	B- 2
COVER, thrust 1	C- 9	*	C-14	HOLDER 2	B- 2
COVER, thrust 2	C-10	*	D- 2	HOLDER, axle	C-14
CRANK 1	B- 5	GASKET 1	B-13	HOLDER, damper	D- 2
CRANK 2	B- 5	GASKET, cap	D- 2	HOLDER, guide	B- 8
CRANKCASE 1	B-12	GASKET, crankcase cover 1	B-13	HOLDER, handle upper	C-12
CRANKCASE 2	B-12	GASKET, cylinder	B- 2	HOLDER, kick gear	B-14
CRANKSHAFT ASSY	B- 5	GASKET, cylinder head 1	B- 2	HOLDER, lever 1	D-11
CROWN, handle	C-12	GASKET, drain plug	C-13	HOLDER, lever 2	D-11
CYLINDER 1	B- 2	*	C-14	HOLDER, lever lower 1	D-11
CYLINDER COMP., front fork	C-13	GASKET, exhaust pipe	B-11	HOLDER, sub tank	C-11
*	C-14	GASKET, float chamber	B-10	HOSE	B- 7
DAMPER	C- 6	GASKET, holder	B- 2	*	B-12
DAMPER SUB ASSY	C-11	GASKET, housing cover 2	B- 6	*	D- 2
DAMPER, locating 1	B- 7	GASKET, valve seat	B- 8	HOUSING 2	B- 3
*	C- 8	GAUGE, air	C- 6	HUB, front	D- 4
*	D- 2	GEAR, 1st wheel (32T)	C- 2	HUB, rear	D- 6
DAMPER, radiator	C- 8	GEAR, 2nd pinion (14T)	C- 2	IGNITION COIL ASSY	D-12
DAMPER, seat	D- 3	GEAR, 2nd wheel (26T)	C- 2	IMPELLER SHAFT ASSY	B- 6
DAMPER, sub tank	C-11	GEAR, 3rd pinion (20T)	C- 2	INNER TUBE COMP.1	C-13
DUST, seal	C-11	GEAR, 3rd wheel (24T)	C- 2	*	C-14
ELEMENT, air cleaner	B- 8	GEAR, 4th wheel (25T)	C- 2	JET, main (#360)	B-10
EMBLEM	B- 8	GEAR, 5th pinion (19T)	C- 2	JET, main (#380)	B-10
*	C- 8	GEAR, 5th wheel (21T)	C- 2	JET, pilot (# 50)	B-10
*	C-12	GEAR, 6th pinion (20T)	C- 2	JOINT 1	B- 7
EMBLEM 2	C- 8	GEAR, 6th wheel (20T)	C- 2	JOINT, air cleaner 1	B- 8
EMBLEM, rear arm	C-10	GEAR, drive	B- 6	JOINT, carburetor	B- 8
END, rod 1	D- 4	GEAR, governor	B- 4	JOINT, chain	D- 7
END, rod 2	D- 4	GEAR, impeller shaft	B- 6	KEY, straight	B- 5
EXHAUST PIPE ASSY 1	B-11	GEAR, kick (25T)	B-14	KEY, woodruff	B- 5
FENDER, front	C- 7	GEAR, primary drive	B-15	KICK AXLE ASSY	B-14
FENDER, rear	C- 7	GEAR, sprocket idle (25T)	B-14	KICK CRANK ASSY	B-14
FIBER	B-11	GRAPHIC SET	D- 2	LEVER	B- 4
FLOAT	B-10	GRIP (L.H.)	D- 8	LEVER 1	D-11
FOOTREST 1	D- 9	GRIP (R.H.)	D- 8	LEVER 2	D-11
FOOTREST 2	D- 9	GROMMET	B- 7	LEVER, camshaft	D- 6
FORK, governor	B- 4	*	B-11	LEVER, camshaft 1	D- 4
FORK, shift 1	C- 4			LEVER, camshaft 2	D- 4

PARTS NAME INDEX

DESCRIPTION	GRID NO.	DESCRIPTION	GRID NO.	DESCRIPTION	GRID NO.
LEVER, starter 1	B-10	OIL SEAL	C- 9	PISTON (1.00MM O/S)	B- 5
METAL, slide 1	C-13	*	C-13	*	D-14
*	C-14	*	C-14	PISTON (STD)	B- 5
NEEDLE SET	B-10	*	D- 4	*	D-14
NEEDLE VALVE SET	B-10	*	D- 6	PISTON ASSY (1ST O/S)	D-14
NIPPLE, grease	C- 9	*	D- 7	PISTON ASSY (2ND O/S)	D-14
*	C-10	PACKING	B- 3	PISTON ASSY (3RD O/S)	D-14
NOZZLE, main	B-10	PANEL 1	C- 8	PISTON ASSY (4TH O/S)	D-14
NUT	B- 2	PEDAL, brake	D- 9	PISTON ASSY (STD)	D-14
*	B- 4	PIN	D- 9	PISTON, front fork	C-13
*	B-14	PIN, clevis	B-14	*	C-14
*	B-15	*	D- 4	PLATE	B- 4
*	C- 3	*	D- 8	*	B-10
*	C- 8	*	D- 9	PLATE 1	C- 7
*	C-12	*	B-14	PLATE, bearing cover	C- 2
*	C-14	PIN, cotter	B-14	PLATE, brake shoe	D- 4
*	C-15	*	D- 4	*	D- 6
*	D- 4	*	D- 7	PLATE, clutch 1	B-15
*	D- 7	*	D- 8	PLATE, cover	C- 2
*	D- 8	*	D- 9	PLATE, element fitting	B- 8
*	D- 9	PIN, crank 1	B- 5	PLATE, friction	B-15
*	D-10	*	D-15	PLATE, number	C-12
NUT, self-locking	C- 6	PIN, dowel	B- 2	PLATE, pressure 1	B-15
*	C- 9	*	B- 4	PLATE, push	B-15
*	C-10	*	B- 6	PLATE, thrust 1	B- 3
*	C-11	*	B-12	PLUG	C-13
*	D- 6	*	B-13	*	C-14
*	D- 7	*	B-15	PLUG CAP ASSY	D-12
NUT, u	B- 4	*	C- 5	PLUG, drain	C-13
*	B- 8	PIN, float	B-10	*	C-14
*	C- 7	PIN, piston	B- 5	PLUG, oil level	B-13
*	C-10	*	D-14	PLUG, screw	B-10
*	D-11	PIN, straight	C- 4	PLUG, spark (CHAMPION N-84)	B- 2
NUT, wing	D- 9	PIPE	B-10	PLUG, spark (CHAMPION QN-84)	B- 2
O-RING	B- 2	PIPE 1	B- 7	PLUG, straight screw	B-12
*	B-10	PIPE 2	B- 7	PRIMARY DRIVEN GEAR COMP.	B-15
*	B-13	PIPE 3	B- 7	PULLER, chain 1	D- 7
*	C-13	PIPE 4	B- 7	PULLER, rotor	C- 6
*	C-14	PIPE 5	B- 7	PUSH LEVER ASSY	B-15
*	D- 2	PIPE 6	B- 7	PUSH ROD ASSY	B- 4
*	D- 7	PIPE 7	B- 7	RADIATOR ASSY	B- 7
OIL SEAL	B- 2	PIPE 8	B- 7	RADIATOR ASSY 2	B- 7
*	B- 4	PISTON (0.25MM O/S)	B- 5	REAR ARM COMP.	C- 9
*	B- 5	*	D-14	REED VALVE ASSY	B- 8
*	B- 6	PISTON (0.50MM O/S)	B- 5	REED, valve	B- 8
*	B-14	*	D-14	RETAINER	B- 4
*	B-15	PISTON (0.75MM O/S)	B- 5	RETAINER, weight	B- 4
*	C- 2	*	D-14	RIM (1.60-21)	D- 4
*	C- 5				

PARTS NAME INDEX

DESCRIPTION	GRID NO.	DESCRIPTION	GRID NO.	DESCRIPTION	GRID NO.
RIM (1.85-18)	D- 6	SEMI-DOUBLE SEAT ASSY	D- 3	SPRING, torsion	D- 4
RING	B-10	SHAFT, governor	B- 4	*	D- 9
RING, piston	B- 5	SHAFT, pivot	C- 9	SPROCKET, drive (11T)	C- 3
*	C-13	SHIFT CAM ASSY	C- 4	SPROCKET, drive (12T)	C- 3
*	C-14	SHIFT PEDAL ASSY	C- 5	SPROCKET, drive (13T)	C- 3
*	D-14	SHIFT SHAFT ASSY	C- 5	SPROCKET, driven (44T)	D- 6
RING, piston (STD)	B- 5	SHIM (0.3T)	C- 9	SPROCKET, driven (45T)	D- 6
RING, snap	C-13	SHIM (0.5T)	B-14	SPROCKET, driven (46T)	D- 6
RIVET	B-11	SHOCK ABSORBER ASSY, rear	C-11	SPROCKET, driven (48T)	D- 6
ROD, brake	D- 9	SILENCER, exhaust	B-11	SPROCKET, driven (50T)	D- 6
ROD, connecting	B- 5	SPACER	B- 4	SPROCKET, driven (52T)	D- 6
*	D- 4	*	B-14	STAND, side	D- 9
*	D-14	*	B-15	STARTER SET	B-10
ROD, connecting 1	C- 9	*	C- 5	STATOR ASSY	D-10
ROD, push 1	B-15	*	C-13	STAY, muffler 1	B-11
ROD, push 2	B-15	*	C-14	STOPPER LEVER ASSY	C- 4
ROTOR ASSY	D-10	*	D- 4	STOPPER, reed valve	B- 8
SCREW	D- 2	*	D- 6	SUPPORT, chain	C- 9
SCREW, bind	D- 2	SPACER, bead	D- 4	SWITCH, handle 1	D-11
SCREW, flat head	C- 3	*	D- 6	TENSIONER	C- 6
SCREW, lever fitting	D- 2	SPACER, reed valve	B- 9	THROTTLE SCREW SET	B-10
SCREW, oval head	D- 8	SPANNER, special	C- 6	TIRE (120/80-18)	D- 6
SCREW, pan head	B- 2	SPINDLE, taper	C-13	TIRE (3.00-21)	D- 4
*	B- 3	*	C-14	TIRE (4.00-18)	D- 6
*	B- 6	SPOKE SET, front	D- 4	TIRE (90/90-21)	D- 4
*	B- 8	SPOKE SET, rear	D- 6	TOOL KIT	C- 6
*	B-10	SPRING	C-11	TUBE (90/90-21)	D- 4
*	B-12	SPRING (K=4.25)	D-13	TUBE (120/80-18)	D- 6
*	B-13	SPRING (K=4.75)	D-13	TUBE, outer 1	C-13
*	C- 8	SPRING, compression	B- 4	TUBE, outer 2	C-13
*	C-12	*	B- 8	TUBE, throttle guide	D- 8
*	C-14	*	B-14	UNDER BRACKET COMP.	C-15
*	D- 2	*	B-15	VALVE 1	B- 2
*	D- 3	*	D- 9	VALVE COMP.	C-13
*	D- 8	SPRING, front fork	C-13	*	C-14
*	D-10	*	C-14	VALVE, throttle (2.0)	B-10
*	D-11	*	D-13	WASHER	B- 5
*	D-12	SPRING, guide	C-11	*	B-15
SCREW, pan head with washer	B- 8	SPRING, sub	C-13	*	C- 2
SCREW, with washer	B-15	*	C-14	*	C- 7
*	C- 8	SPRING, tension	B-11	*	D- 7
SEAL	B- 8	*	D- 4	*	D-15
*	B- 9	*	D- 6	WASHER, claw	C- 6
SEAL, camshaft	D- 4	*	D- 9	WASHER, lock	B-15
SEAL, crankcase	B-12	SPRING, throttle valve	B-10	*	C- 3
SEAL, dust	C-13	SPRING, torsion	B-14	WASHER, oil seal	C-13
*	C-14	*	B-15	*	C-14
SEAL, guard	C- 9	*	C- 4	WASHER, plain	B- 8
SEAL, housing	B- 3	*	C- 5		
SEAT, spring upper	C-13				
*	C-14				

PARTS NAME INDEX

DESCRIPTION	GRID NO.	DESCRIPTION	GRID NO.	DESCRIPTION	GRID NO.
WASHER, plain	B-13				
*	C- 6				
*	C- 8				
*	D- 4				
*	D- 8				
*	D- 9				
WASHER, plate	B- 2				
*	B- 4				
*	B- 6				
*	B- 7				
*	B- 8				
*	B- 9				
*	B-11				
*	B-13				
*	B-15				
*	C- 2				
*	C- 6				
*	C- 7				
*	C- 8				
*	C- 9				
*	C-10				
*	C-11				
*	C-12				
*	C-15				
*	D- 2				
*	D- 3				
*	D- 6				
*	D- 7				
*	D- 8				
*	D- 9				
*	D-10				
*	D-11				
WASHER, plate (1.0T)	C- 2				
WASHER, spring	B- 9				
*	B-10				
*	C- 7				
*	C- 8				
*	C-14				
*	C-15				
*	D- 2				
*	D- 3				
*	D-10				
*	D-11				
WIRE, earth lead	D-12				

