

YAMAHA

PARTS CATALOGUE

YZ125N (55Y)

1555Y-664E1



FOREWORD

This Parts Catalogue is related to the parts in use for the Yamaha YZ125N (55Y).
When you are ordering replacement parts for the YZ125N (55Y), refer to this Parts Catalogue and quote both part numbers and part names correctly.

1. Modifications or additions which have been made after issue of the Parts Catalogue will be announced in the Yamaha Parts News.

It is advisable that according to the Yamaha Parts News you make necessary corrections to the Parts Catalogue on hand to keep it up-to-date.

2. Abbreviations

The following abbreviations are used in this Parts Catalogue.

- U.R. Use size (thickness) and/or number as required.
- U.N. Use as many as you need.
- A.P. Alternate Parts
- L.M. Local Made
- F# Frame No. (Applicable machine No.)

3. The parts marked with (*) in the parts number column of this Catalogue are not supplied with by Yamaha, those have to be found locally.

4. Parts, which are to be supplied in the form of assemblies, are listed with an indentation of one letter's space, and a dot (.) is put against the name of each part.

EXAMPLE
 . CARBURETOR ASS'Y
 . JET, pilot
 . NOZZLE, main

5. Indication of No. of constituent parts for assembly

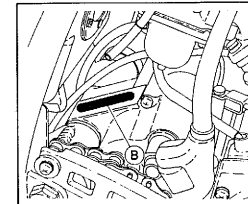
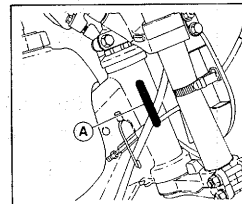
The numeral appearing to the right of each constituent part under the description indicates the quantity of such parts for each individual assembly unit.

EXAMPLE

Part No.	Description	Q'ty	Remarks
2F5-83310-60	FRONT FLASHER LIGHT ASS'Y	2	
115-83311-60	. BULB (6V-18W)	1	
1M1-83309-60	. REFLECTOR	1	

6. Initial Serial No. and Color Code

(A) Frame Serial No.	55Y-000101 and following
(B) Engine Serial No.	55Y-000101 and following



Color Code	Color Name	Abbreviate
36	Clean White	W

7. Applicable colors of graphics are represented in the "Remarks" column by the letter(s) appropriately picked out of the full word(s) showing such colors.

EXAMPLE

Part No.	Description	Q'ty	Remarks
2N4-24110-00-X5	FUEL TANK COMP.	1	MAXIM RED
3J1-24240-10	. GRAPHIC, fuel tank set	1	for MXR

CONTENTS

ENGINE

Cylinder	B2 ~ B3
Governor	B4
Crankshaft · Piston	B5
Water Pump	B6
Radiator · Hose	B7 ~ B8
Intake	B9 ~ B10
Carburetor	B11 ~ B12
Exhaust	B13
Crankcase	B14
Crankcase Cover 1	B15
Starter	C2
Clutch	C3
Transmission	C4 ~ C5
Shift Cam · Fork	C6
Shift Shaft	C7

CHASSIS

Frame	C8
Fender	C9
Side Cover	C10
Rear Arm	C11 ~ C12
Rear Suspension	C13
Steering	C14
Front Fork	C15 ~ D3
Fuel Tank	D4
Seat	D5
Front Wheel	D6
Front Brake Caliper	D7
Rear Wheel	D8 ~ D9

Steering Handle · Cable	D10
Front Master Cylinder	D11
Stand · Footrest	D12
Generator	D13
Handle Switch · Lever	D14
Electrical 1	D15

ALTERNATE PARTS

Alternate (Chassis)	E2
---------------------------	----

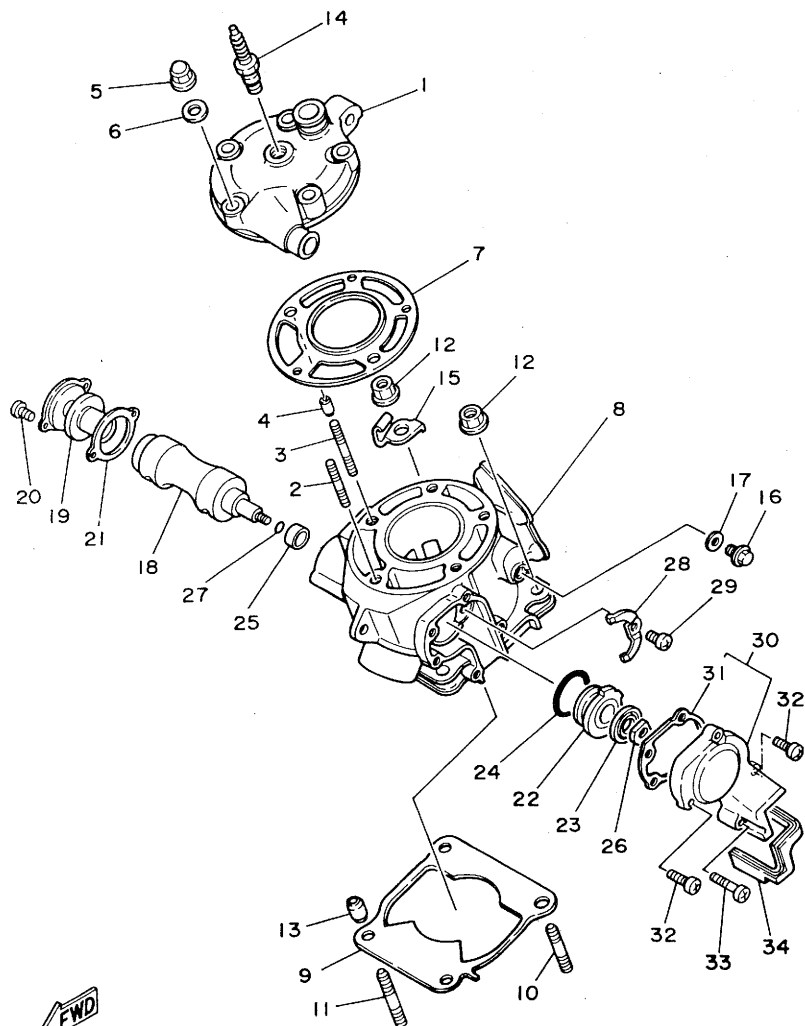
REPAIR KIT

Repair Kit	E3
------------------	----

INDEX

Numerical Index	M1 ~ M3
-----------------------	---------

FIG. 1 CYLINDER



REF. NO.	PART NO.	DESCRIPTION	Q'TY	REMARKS
1	55Y-11111-00	HEAD, cylinder 1	1	
2	90116-08394	BOLT, stud	3	
3	90116-08392	BOLT, stud	2	
4	91810-03014	PIN, dowel	2	
5	90176-08026	NUT, crown	5	
6	90201-08087	WASHER, plate	5	
7	55Y-11181-00	GASKET, cylinder head 1	1	
8	55Y-11311-00	CYLINDER 1	1	
9	24X-11351-00	GASKET, cylinder	1	
10	90116-08318	BOLT, stud	2	
11	90116-08409	BOLT, stud	2	
12	90179-08246	NUT	4	
13	91810-03014	PIN, dowel	2	
14	*	PLUG, spark (CHAMPION QN-86)	1	LM
15	55Y-1131E-00	HOLDER 1	1	
16	95826-06010	BOLT, flange	1	
17	90430-06192	GASKET	1	
18	55Y-1131A-00	VALVE 1	1	
19	39W-W1132-00	HOLDER 1	1	
20	98506-05012	SCREW, pan head	2	
21	5X4-1131N-00	GASKET, holder	1	
22	5X4-W1133-00	HOLDER 2	1	
23	93104-16074	OIL SEAL	1	
24	93210-27244	O-RING	1	
25	90387-102F3	COLLAR	1	
26	5X5-11937-00	BOSS, lever	1	
27	93210-09192	O-RING	1	
28	55Y-11915-00	PLATE, thrust 1	1	



55Y100-5010

B2

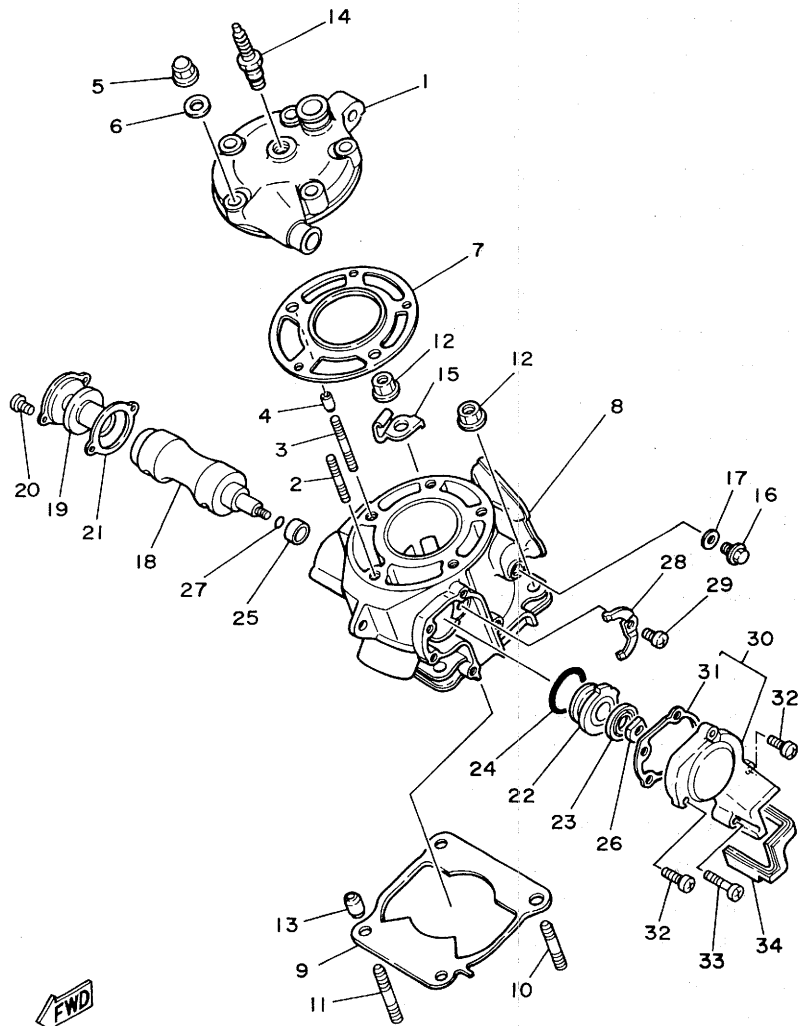


FIG. 1 CYLINDER

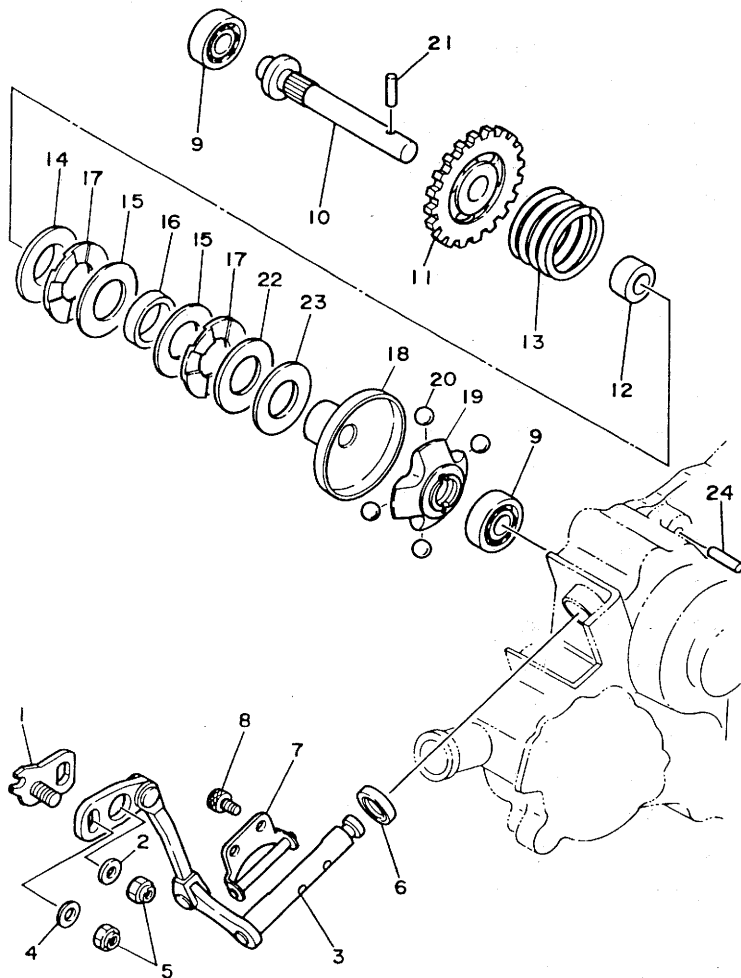
REF. NO.	PART NO.	DESCRIPTION	Q'TY	REMARKS
29	98506-05010	SCREW, pan head	1	
30	24X-11992-00	HOUSING 2	1	
31	5X4-11993-00	.GASKET	1	
32	98506-05018	SCREW, pan head	3	
33	98506-05025	SCREW, pan head	1	
34	5X4-11995-00	SEAL, housing	1	



55Y100-5010

B3

FIG. 2 GOVERNOR



REF. NO.	PART NO.	DESCRIPTION	Q'TY	REMARKS
1	5X4-11931-00	LEVER	1	
2	90201-057H5	WASHER, plate	1	
3	24X-11990-00	PUSH ROD ASSY	1	
4	92901-05600	WASHER, plate	1	
5	95601-05100	NUT, u	2	
6	93104-08040	OIL SEAL	1	
7	5X4-11922-00	FORK, governor	1	
8	91316-04006	BOLT	2	
9	93300-60801	BEARING (B0060)	2	
10	5X4-11921-01	SHAFT, governor	1	
11	24X-11953-00	GEAR, governor	1	
12	90560-08213	SPACER	1	
13	90501-30742	SPRING, compression	1	
14	5X4-11952-00	PLATE	1	
15	90201-151A7	WASHER, plate (T=1.0)	2	
16	90387-152F2	COLLAR	1	
17	90380-15104	BUSH, solid	2	
18	5X5-11912-01	RETAINER, weight	1	
19	5X5-11911-01	RETAINER	1	
20	93521-64032	BALL	4	
21	93603-14179	PIN, dowel	1	
22	90201-151A7	WASHER, plate (T=1.0)	1	UR
	90201-154F5	WASHER, plate (T=0.8)	1	UR
23	90201-154F6	WASHER, plate	1	UN
24	93603-13185	PIN, dowel	1	

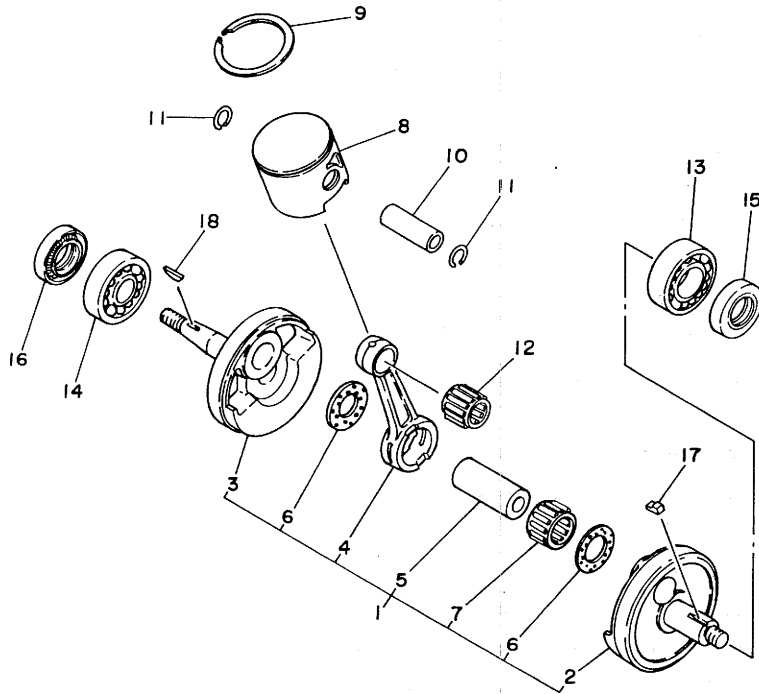


55Y100-5020

B4

FIG. 3 CRANKSHAFT. PISTON

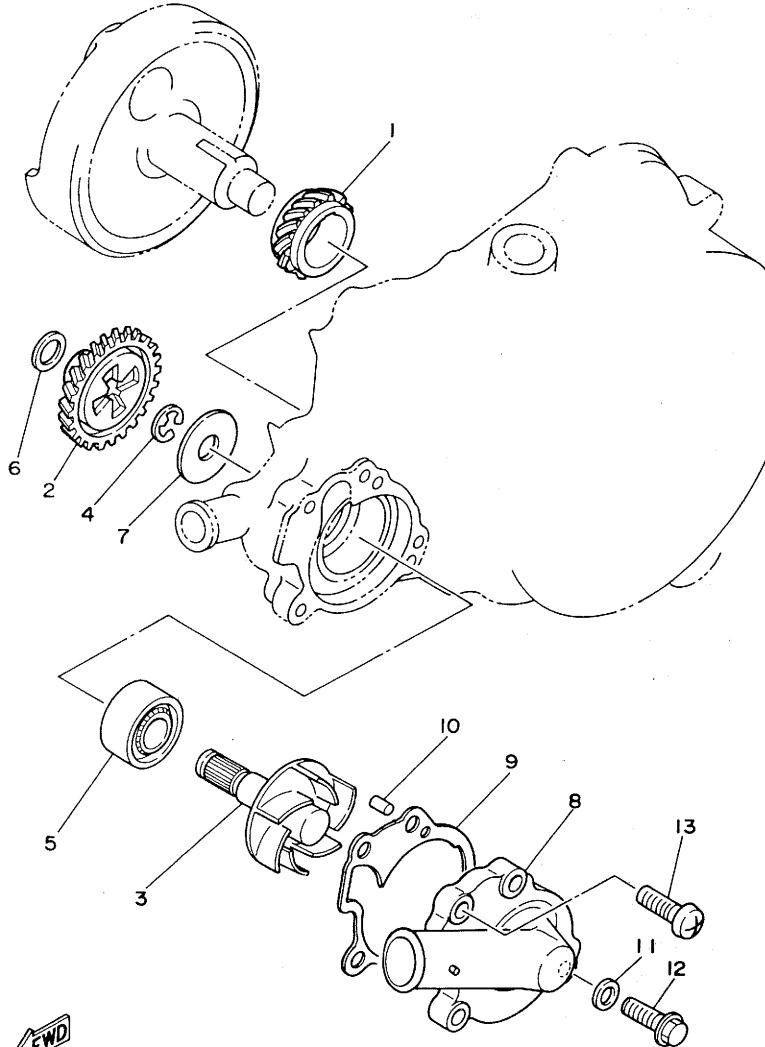
REF. NO.	PART NO.	DESCRIPTION	Q'TY	REMARKS
1	55Y-11400-00	CRANKSHAFT ASSY	1	
2	55Y-11412-00	.CRANK 1	1	
3	55Y-11422-00	.CRANK 2	1	
4	55Y-11651-00	.ROD, connecting	1	
5	36F-11681-00	.PIN, crank 1	1	
6	90209-22071	.WASHER	2	
7	93310-522M4	.BEARING, cylindrical	1	
8	55Y-11631-00-94	PISTON (STD)	1	UR
	55Y-11631-00-95	PISTON (STD)	1	UR
	55Y-11635-00	PISTON (0.25MM O/S)	1	AP
	55Y-11636-00	PISTON (0.50MM O/S)	1	AP
	55Y-11637-00	PISTON (0.75MM O/S)	1	AP
9	5X4-11611-00	RING, piston <i>sl</i>	1	
	5X4-11611-10	RING, piston <i>1st</i>	1	AP
	5X4-11611-20	RING, piston <i>2nd</i>	1	AP
	5X4-11611-30	RING, piston <i>3rd</i>	1	AP
10	137-11633-00	PIN, piston	1	
11	4V2-11634-00	CLIP, piston pin	2	
12	93310-216L2	BEARING, cylindrical	1	
13	93306-30421	BEARING (B6304C3)	1	
14	93306-20529	BEARING (B6205C4)	1	
15	93103-28126	OIL SEAL	1	
16	93102-25258	OIL SEAL	1	
17	90282-05053	KEY, straight	1	
18	90280-03017	KEY, woodruff	1	



55Y100-5030

B5

FIG. 4 WATER PUMP



REF. NO.	PART NO.	DESCRIPTION	Q'TY	REMARKS
1	24X-12436-00	GEAR, drive	1	
2	24X-12459-00	GEAR, impeller shaft	1	
3	24X-12450-00	IMPELLER SHAFT ASSY	1	
4	93430-08006	CIRCLIP	1	
5	93103-12119	OIL SEAL	1	
6	90201-08160	WASHER, plate	1	
7	90201-10138	WASHER, plate	1	
8	24X-12422-00	COVER, housing	1	
9	24X-12428-01	GASKET, housing cover 2	1	
10	93604-10011	PIN, dowel	2	
11	90430-06166	GASKET	1	
12	95826-06020	BOLT, flange	1	
13	92506-06020	SCREW, pan head	2	

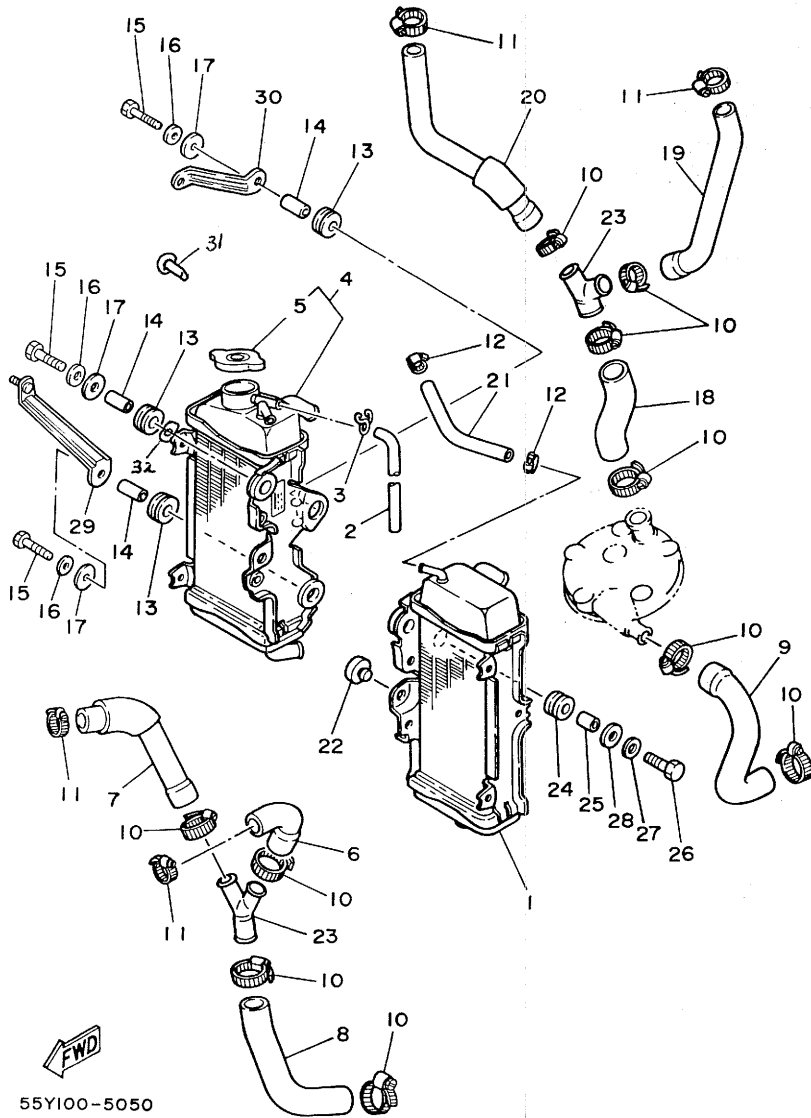


24X100-3051

B6

FIG. 5 RADIATOR. HOSE

MC 84041

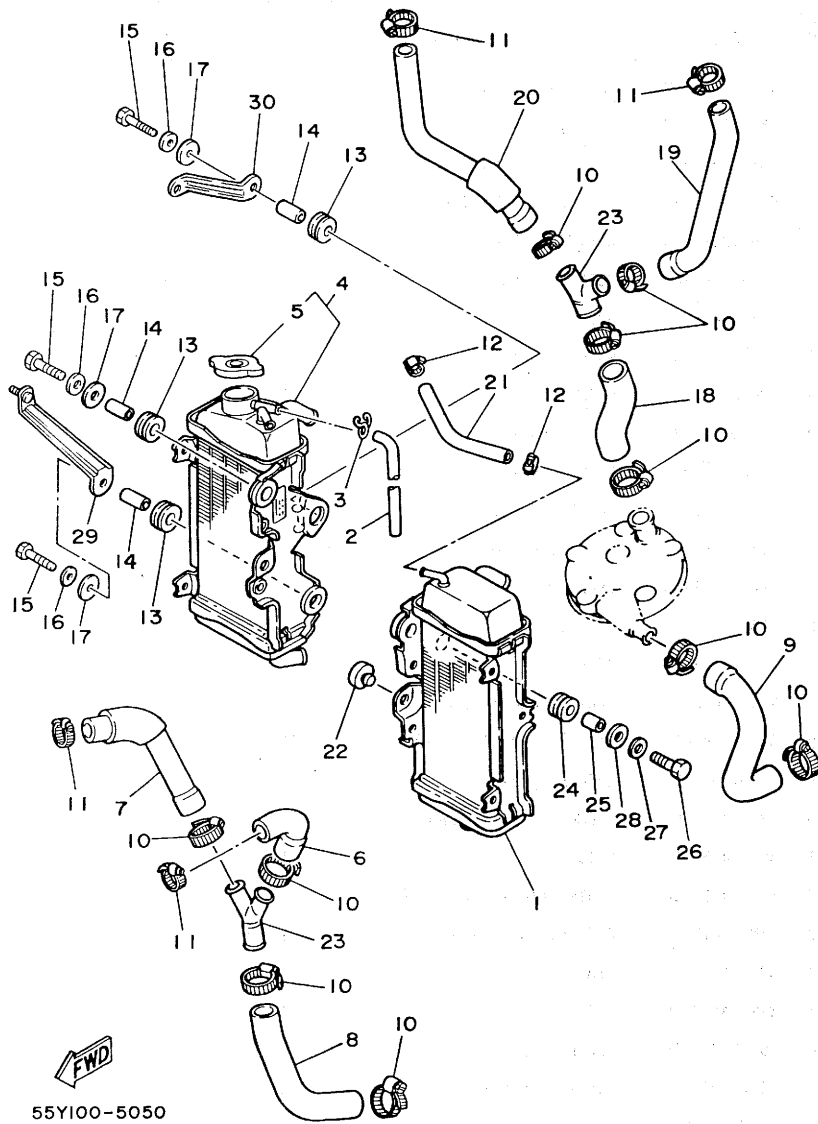


55Y100-5050

REF. NO.	PART NO.	DESCRIPTION	Q'TY	REMARKS
1	39W-12460-01	RADIATOR ASSY	1	
2	90446-09079	HOSE	1	
3	90467-09006	CLIP	1	
4	39W-1240A-01	RADIATOR ASSY 2	1	
5	22W-12462-00	.CAP, radiator	1	
6	39W-12481-00	PIPE 1	1	
7	39W-12482-00	PIPE 2	1	
8	39W-12483-00	PIPE 3	1	
9	39W-12484-00	PIPE 4	1	
10	90460-31253	CLAMP, hose	10	
11	90460-22252	CLAMP, hose	4	
12	90460-15227	CLAMP, hose	2	
13	90480-15064	GROMMET	4	
14	90387-07392	COLLAR	3	002819 ~ *
15	97301-06030	BOLT	4	4 ~ 002818 Δ
16	90201-061A5	WASHER, plate	4	
17	90201-06570	WASHER, plate	4	
18	39W-12485-00	PIPE 5	1	
19	39W-12476-00	PIPE 6	1	
20	39W-12477-00	PIPE 7	1	
21	39W-1248A-00	PIPE 8	1	
22	22W-24181-00	DAMPER, locating 1	2	
23	24Y-12469-00	JOINT 1	2	
24	90480-18276	GROMMET	2	
25	90387-060A7	COLLAR	2	
26	97301-06030	BOLT	2	
27	90201-061A5	WASHER, plate	2	
28	90201-06570	WASHER, plate	2	

B7

FIG. 5 RADIATOR. HOSE



55Y100-5050

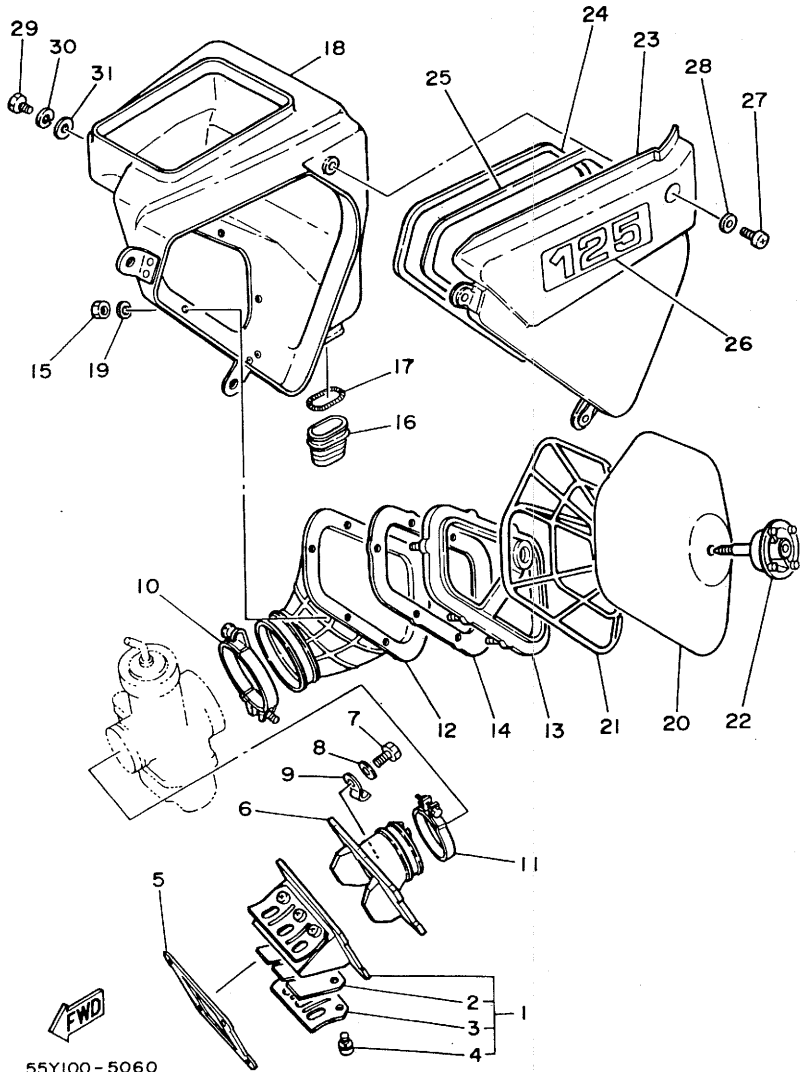
REF. NO.	PART NO.	DESCRIPTION	Q'TY	REMARKS
29	55Y-12498-00	PROTECTOR	1	
30	55Y-1244E-00	BRACKET 1	1	
31	90389-06763	COLLAR	1 *	002819 ~
32	90201-10139	WASHER	1 *	002819 ~

* + Δ INTERCHANGEABLE AS A SET.

B8

FIG. 6 INTAKE

REF. NO.	PART NO.	DESCRIPTION	Q'TY	REMARKS
1	55Y-13610-00	REED VALVE ASSY	1	
2	55Y-13613-00	.REED, valve	2	
3	55Y-13616-00	.STOPPER, reed valve	2	
4	97602-03108	.SCREW, pan head with washer	6	
5	39W-13621-00	GASKET, valve seat	1	
6	55Y-13565-00	JOINT, carburetor	1	
7	97301-06020	BOLT	4	
8	90201-061A5	WASHER, plate	4	
9	90462-05005	CLAMP	1	
10	90460-51109	CLAMP, hose	1	
11	90460-68199	CLAMP, hose	1	
12	55Y-14453-00	JOINT, air cleaner 1	1	
13	55Y-14459-00	HOLDER, guide	1	
14	39W-14462-00	SEAL	1	
15	95601-05100	NUT, u	6	
16	39K-14457-00	SEAL	1	
17	90504-03033	SPRING, compression	1	
18	39W-W1441-01	AIR CLEANER CASE COMP.	1	
19	92901-05200	WASHER, plain	6	
20	39W-14451-00	ELEMENT, air cleaner	1	
21	39W-14458-00	GUIDE	1	
22	55Y-14468-00	PLATE, element fitting	1	
23	43M-14412-00	CAP, cleaner case 1	1	white
24	39W-14452-00	SEAL	1	
25	39W-14467-00	SEAL	1	
26	39W-21737-10	EMBLEM	1	for w
27	92506-06016	SCREW, pan head	3	
28	92906-06600	WASHER, plate	3	

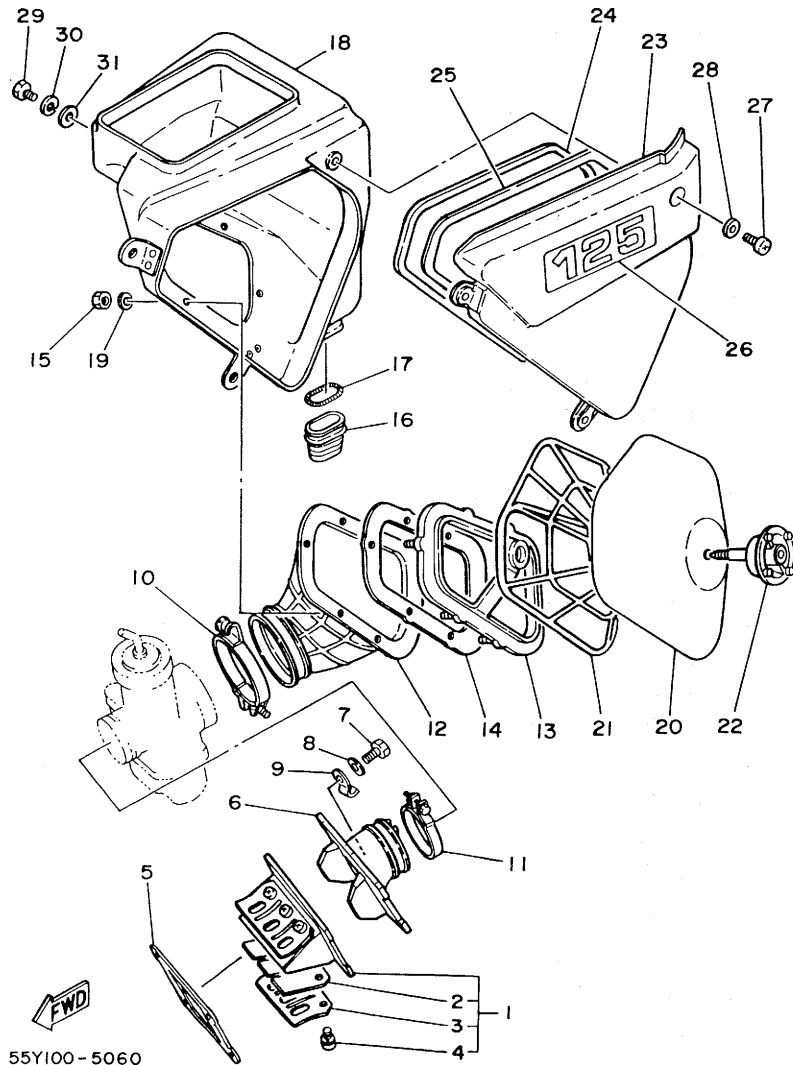


55Y100-5060

B9

FIG. 6 INTAKE

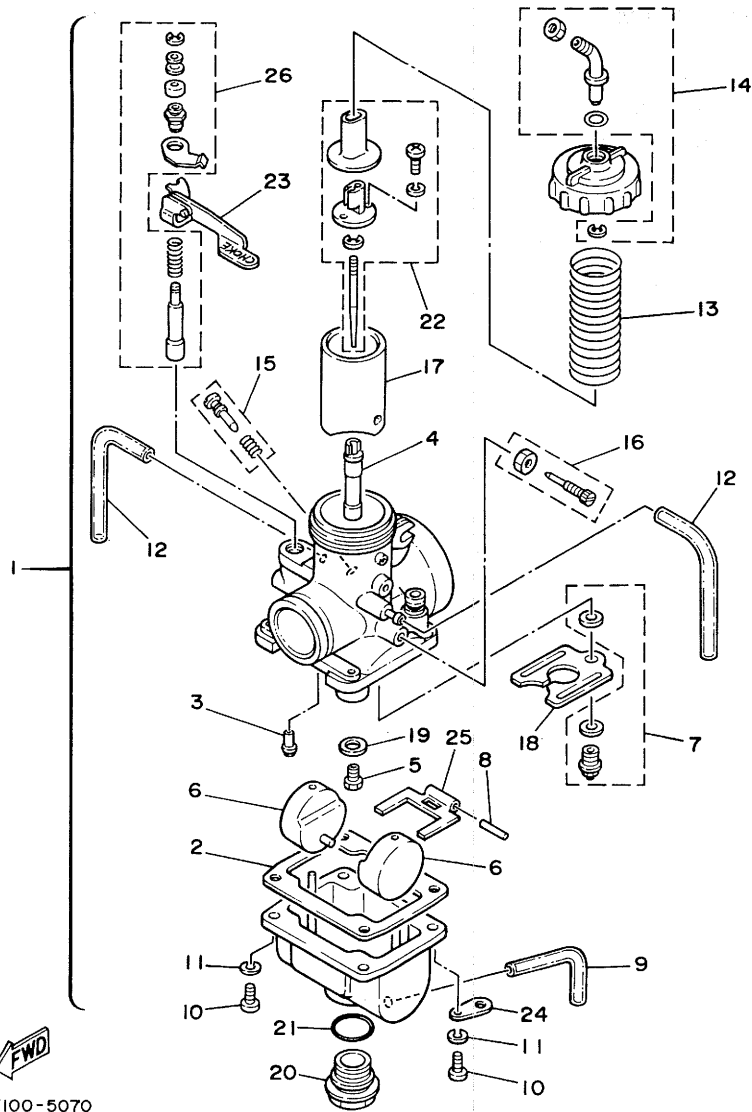
REF. NO.	PART NO.	DESCRIPTION	Q'TY	REMARKS
29	97301-06012	BOLT	3	
30	92901-06100	WASHER, spring	3	
31	90201-061A5	WASHER, plate	3	



55Y100-5060

B10

FIG. 7 CARBURETOR

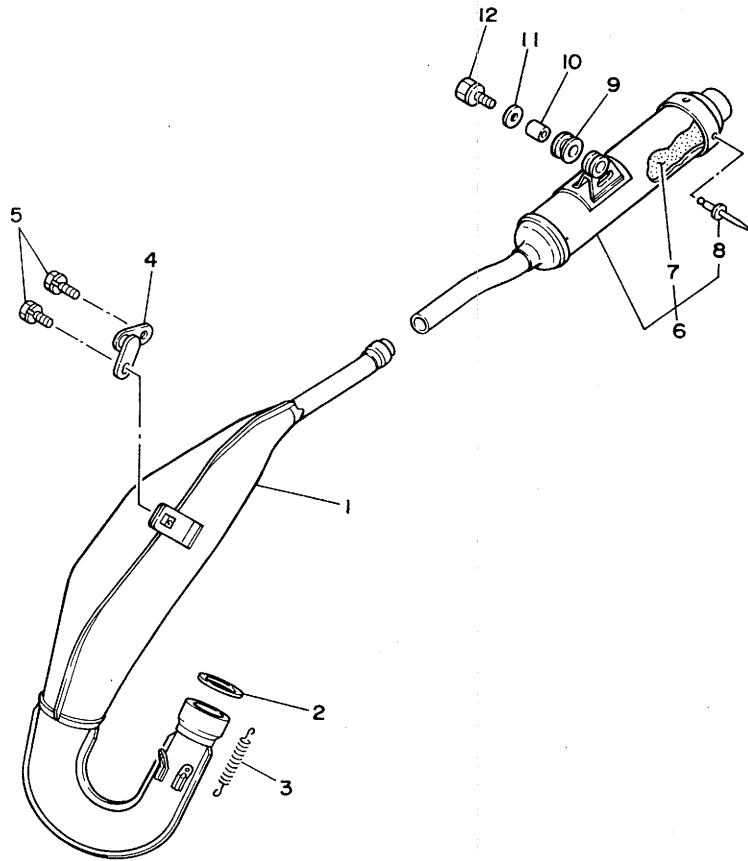


55Y100-5070

REF. NO.	PART NO.	DESCRIPTION	Q'TY	REMARKS
1	55Y-14101-00	CARBURETOR ASSY 1	1	
2	483-14184-00	.GASKET, float chamber	1	
3	193-14142-60	.JET, pilot (# 60)	1	
	193-14142-55	.JET, pilot (# 55)	1	AP
	193-14142-65	.JET, pilot (# 65)	1	AP
4	239-14141-54	.NOZZLE, main	1	
	239-14141-52	.NOZZLE, main	1	AP
	239-14141-56	.NOZZLE, main	1	AP
5	137-14143-50	.JET, main (#250)	1	
	137-14143-48	.JET, main (#240)	1	AP
	137-14143-52	.JET, main (#260)	1	AP
6	310-14185-00	.FLOAT	2	
7	24X-14107-33	.NEEDLE VALVE SET	1	
8	537-14186-00	.PIN, float	1	
9	493-14196-00	.PIPE	1	
10	98501-05016	.SCREW, pan head	4	
11	92901-05100	.WASHER, spring	4	
12	310-14197-00	.PIPE	2	
13	431-14131-00	.SPRING, throttle valve	1	
14	24X-14106-00	.CABLE ADJUST SCREW SET	1	
15	23X-14104-00	.AIR SCREW SET	1	
16	24X-14103-00	.THROTTLE SCREW SET	1	
17	3R6-14112-25	.VALVE, throttle 1	1	
	3R6-14112-20	.VALVE, throttle 1	1	AP
	3R6-14112-30	.VALVE, throttle 1	1	AP
18	483-14146-00	.PLATE	1	
19	55Y-14153-00	.WASHER, main jet	1	
20	2K6-14115-00	.PLUG, screw	1	

B11

FIG. 8 EXHAUST



REF. NO.	PART NO.	DESCRIPTION	Q'TY	REMARKS
1	55Y-14610-00	EXHAUST PIPE ASSY 1	1	
2	3R3-14613-00	GASKET, exhaust pipe	1	
3	90507-20030	SPRING, tension	2	
4	24X-14771-00	STAY, muffler 1	1	
5	97501-06116	BOLT, with washer	2	
6	39W-14753-01	SILENCER, exhaust	1	
7	39W-1469A-00	.FIBER	1	
8	90267-40115	.RIVET, blind	4	
9	90480-22269	GROMMET	1	
10	90387-081A3	COLLAR	1	
11	90201-08114	WASHER, plate	1	
12	90109-08512	BOLT	1	



55Y100-5080

B13

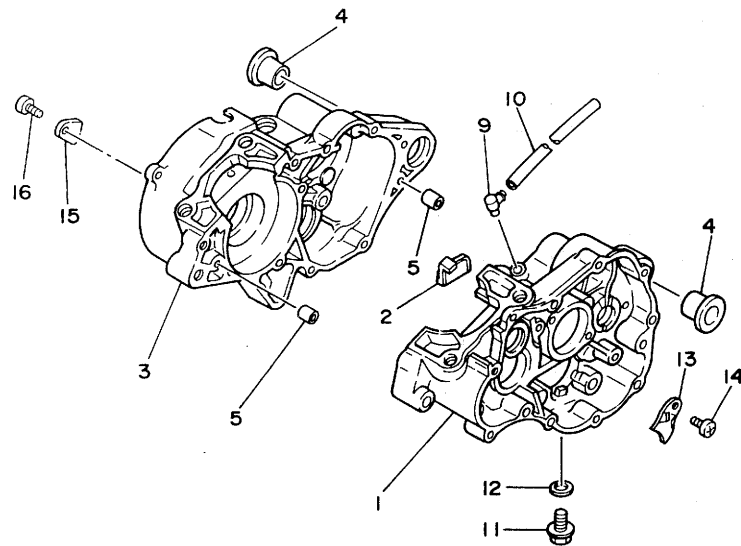
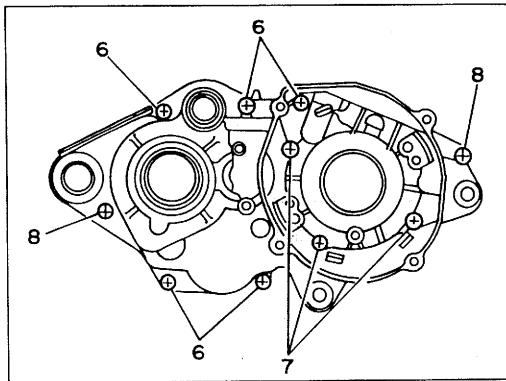


FIG. 9 CRANKCASE

REF. NO.	PART NO.	DESCRIPTION	Q'TY	REMARKS
1	24X-15111-00	CRANKCASE 1	1	
2	5X4-15379-01	SEAL, crankcase	1	
3	55Y-15121-00	CRANKCASE 2	1	
4	90387-16781	COLLAR	2	
5	91830-21014	PIN, dowel	2	
6	91316-06035	BOLT	5	
7	91316-06040	BOLT	3	
8	91316-06050	BOLT	2	
9	353-13115-01	CONNECTOR, suction pipe	1	
10	90445-08376	HOSE	1	
11	90340-12059	PLUG, straight screw	1	
12	90430-12038	GASKET	1	
13	3R3-15128-01	HOLDER	1	
14	92501-08010	SCREW, pan head	1	
15	4V4-15118-00	HOLDER	1	
16	92501-06010	SCREW, pan head	1	



55Y100-5090

B14

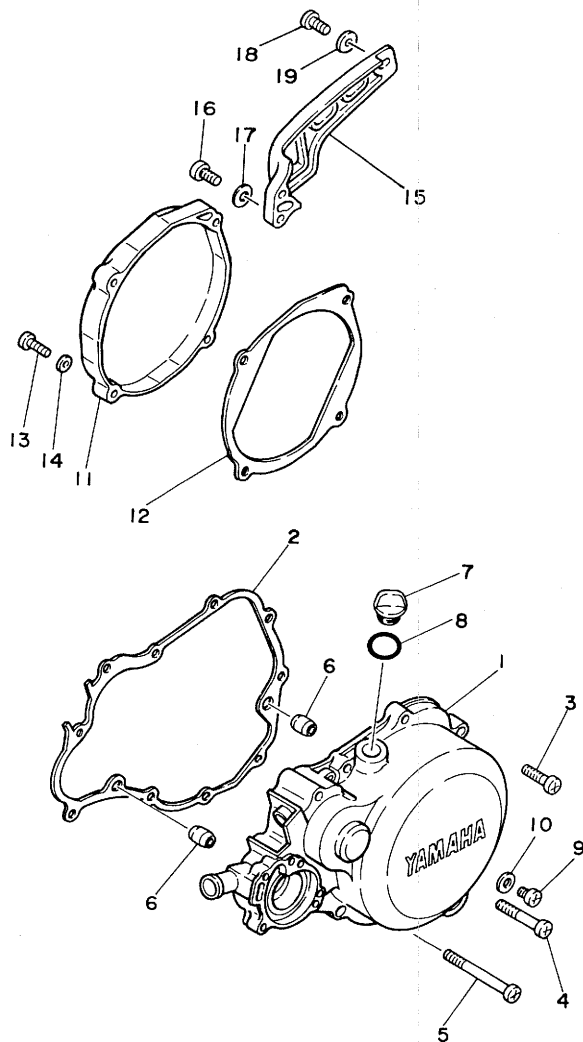


FIG. 10 CRANKCASE COVER 1

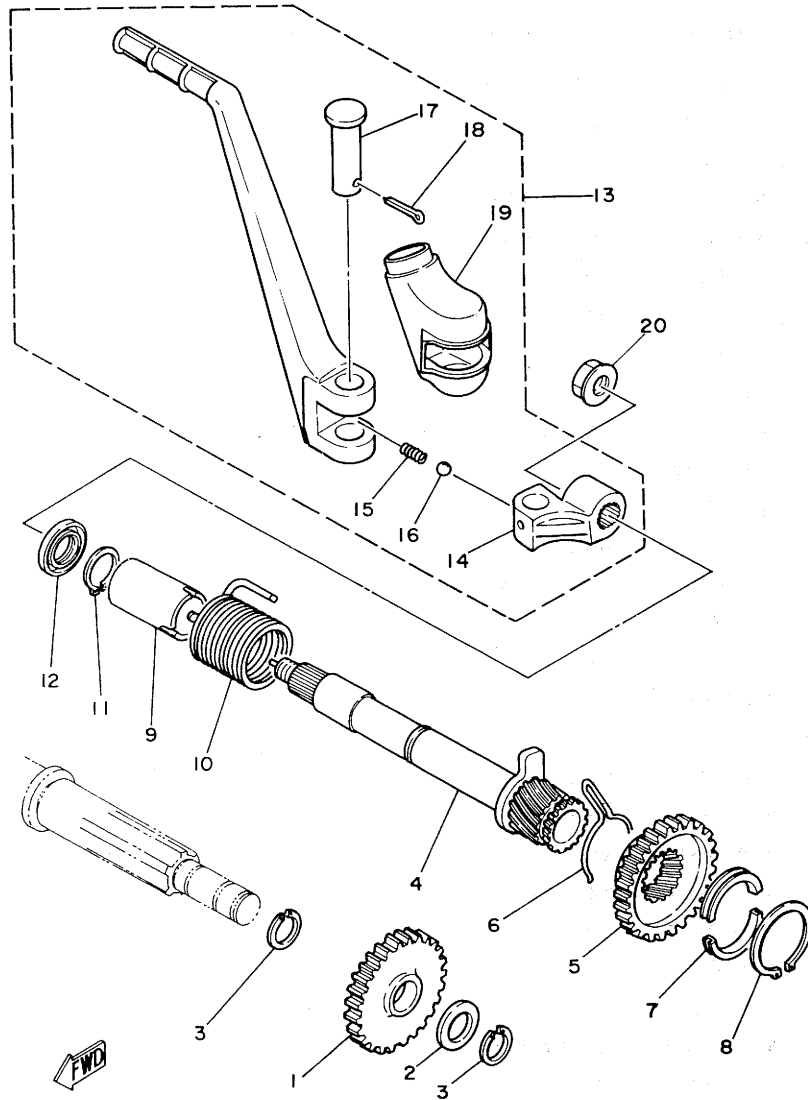
REF. NO.	PART NO.	DESCRIPTION	Q'TY	REMARKS
1	24X-15411-00	COVER, crankcase 1	1	
2	5X4-15451-00	GASKET, crankcase cover 1	1	
3	92506-06025	SCREW, pan head	8	
4	92506-06045	SCREW, pan head	1	
5	92506-06055	SCREW, pan head	1	
6	91830-21014	PIN, dowel	2	
7	168-15362-00	PLUG, oil level	1	
8	93210-14104	O-RING	1	
9	92506-06008	SCREW, pan head	1	
10	90430-06016	GASKET	1	
11	39W-15421-00	COVER, crankcase 2	1	
12	5X4-15455-00	GASKET 1	1	
13	92506-06025	SCREW, pan head	4	
14	92906-06600	WASHER, plate	4	
15	55Y-15431-00	COVER, crankcase 3	1	
16	92501-06014	SCREW, pan head	1	
17	90201-06067	WASHER, plate	1	
18	92501-06020	SCREW, pan head	1	
19	92901-06200	WASHER, plain	1	



55Y100-5100

B15

FIG. 11 STARTER

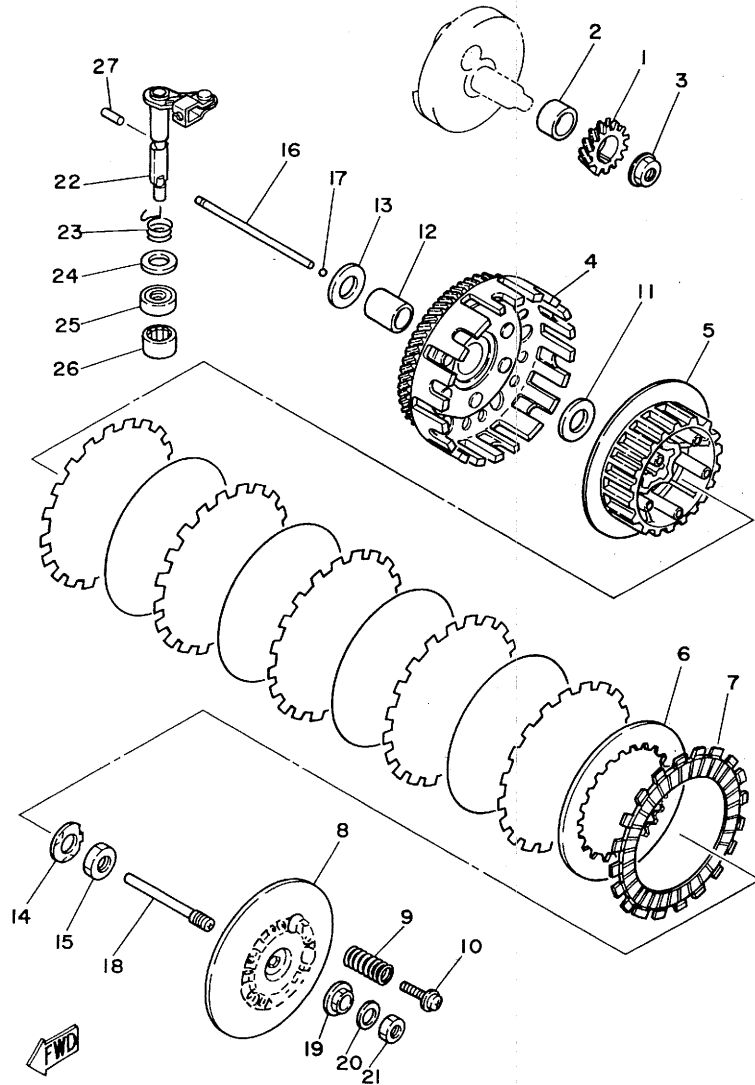


55Y100-5110

REF. NO.	PART NO.	DESCRIPTION	Q'TY	REMARKS
1	3R3-15651-01	GEAR, sprocket idle (25T)	1	
2	137-17417-00-05	SHIM 1 (0.5T)	1	
3	93440-15012	CIRCLIP	2	
4	39W-15660-00	KICK AXLE ASSY	1	
5	3R3-15641-00	GEAR, kick (25T)	1	
6	90468-26048	CLIP	1	
7	248-15654-00	HOLDER, kick gear	2	
8	99009-30400	CIRCLIP	1	
9	3R3-15666-00	SPACER	1	
10	90508-26427	SPRING, torsion	1	
11	93410-17037	CIRCLIP	1	
12	93101-17062	OIL SEAL	1	
13	55Y-15620-00	KICK CRANK ASSY	1	
14	39W-15621-01	.BOSS, kick crank	1	
15	90501-12081	.SPRING, compression	1	
16	93507-32009	.BALL	1	
17	90240-12090	.PIN, clevis	1	
18	91401-40020	.PIN, cotter	1	
19	5X4-15618-00	.COVER, kick lever	1	
20	95702-10500	NUT, flange	1	

FIG. 12 CLUTCH

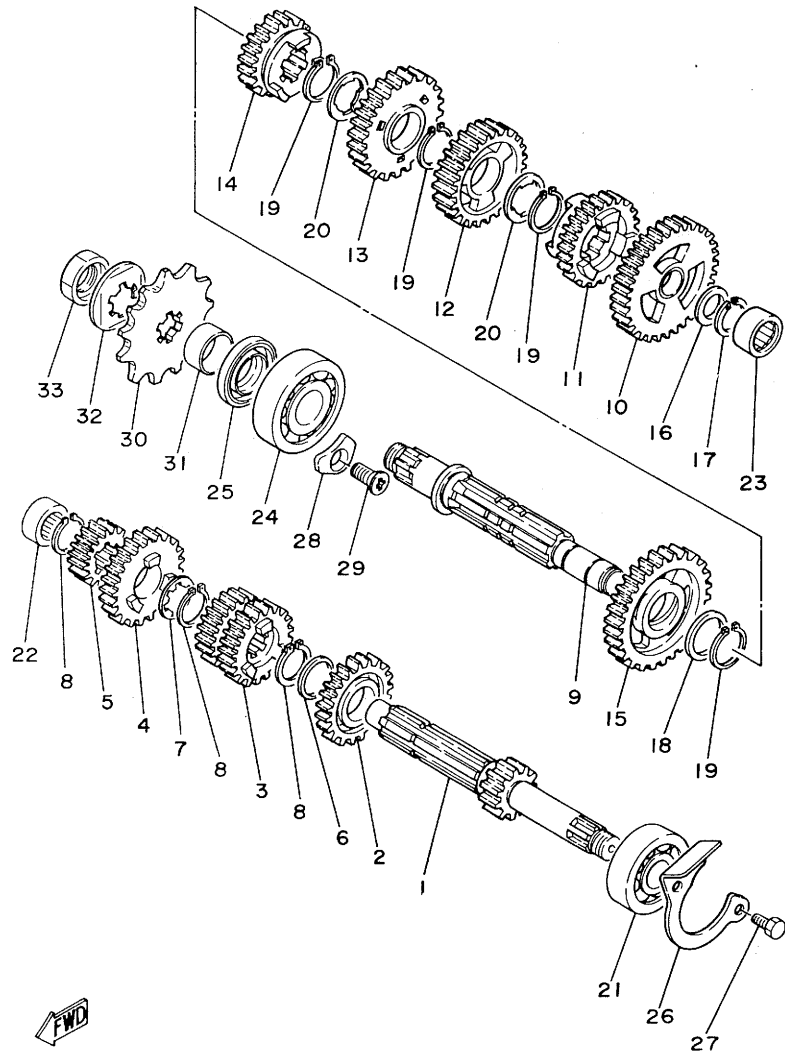
REF. NO.	PART NO.	DESCRIPTION	Q'TY	REMARKS
1	24X-16111-00	GEAR, primary drive	1	
2	90387-202FO	COLLAR	1	
3	90179-12373	NUT	1	
4	39W-16150-00	PRIMARY DRIVEN GEAR COMP.	1	
5	24X-16371-00	BOSS, clutch	1	
6	24X-16324-00	PLATE, clutch 1	5	
7	24X-16321-00	PLATE, friction	6	
8	24X-16351-00	PLATE, pressure 1	1	
9	90501-20361	SPRING, compression	5	
10	90159-05011	SCREW, with washer	5	
11	90201-17166	WASHER, plate	1	
12	90560-17232	SPACER	1	
13	90201-17166	WASHER, plate	1	
14	90215-14204	WASHER, lock	1	
15	90170-14171	NUT	1	
16	353-16357-00	ROD, push 2	1	
17	93503-16010	BALL	1	
18	1W1-16356-01	ROD, push 1	1	
19	1W1-16358-00	PLATE, push	1	
20	92900-06200	WASHER	1	
21	95300-06600	NUT	1	
22	55Y-16380-00	PUSH LEVER ASSY	1	
23	90508-14426	SPRING, torsion	1	
24	90201-14217	WASHER, plate	1	
25	93102-14308	OIL SEAL	1	
26	93315-21429	BEARING, cylindrical	1	
27	93604-16092	PIN, dowel	1	



55Y100-5120

C3

FIG. 13 TRANSMISSION

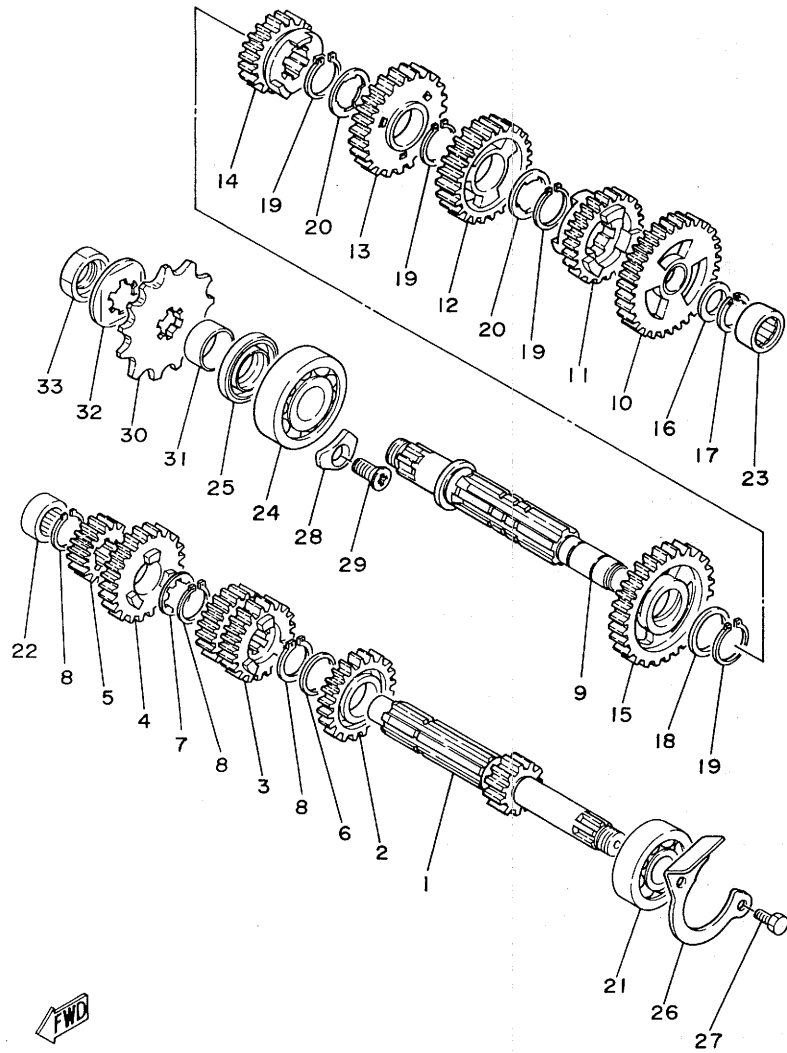


REF. NO.	PART NO.	DESCRIPTION	Q'TY	REMARKS
1	24X-17411-00	AXLE, main	1	
2	5X4-17151-01	GEAR, 5th pinion (19T)	1	
3	5X4-17131-03	GEAR, 3rd pinion (20T/16T)	1	
4	5X4-17161-01	GEAR, 6th pinion (20T)	1	
5	5X4-17121-02	GEAR, 2nd pinion (14T)	1	
6	90201-20266	WASHER, plate (1.0T)	1	
7	90209-16255	WASHER	1	
8	93410-20038	CIRCLIP	3	
9	5X4-17421-00	AXLE, drive	1	
10	5X4-17211-01	GEAR, 1st wheel (32T)	1	
11	24X-17251-00	GEAR, 5th wheel (21T)	1	
12	24X-17241-00	GEAR, 4th wheel (25T)	1	
13	5X4-17231-02	GEAR, 3rd wheel (24T)	1	
14	24X-17261-00	GEAR, 6th wheel (20T)	1	
15	5X4-17221-02	GEAR, 2nd wheel (26T)	1	
16	90201-15701	WASHER, plate (1.0T)	1	
17	93440-15012	CIRCLIP	1	
18	90201-22555	WASHER, plate	1	
19	93410-22039	CIRCLIP	4	
20	90209-18135	WASHER	2	
21	93306-30303	BEARING (B6303Z)	1	
22	93311-41530	BEARING, cylindrical	1	
23	93311-31515	BEARING, cylindrical	1	
24	93306-30411	BEARING (B6304)	1	
25	93102-26042	OIL SEAL	1	
26	3R3-17471-00	PLATE, cover	1	
27	97321-06012	BOLT	2	
28	2K7-15383-00	PLATE, bearing cover	1	

FWD
5X4100-2141

C4

FIG. 13 TRANSMISSION



REF. NO.	PART NO.	DESCRIPTION	Q'TY	REMARKS
29	92701-06012	SCREW, flat head	1	
30	1G8-17461-20	SPROCKET, drive (12T)	1	
	1G8-17461-10	SPROCKET, drive (11T)	1	AP
	1G8-17461-30	SPROCKET, drive (13T)	1	AP
31	90387-202A0	COLLAR	1	
32	90215-16127	WASHER, lock	1	
33	90179-16226	NUT	1	

5X4100-2141

C5

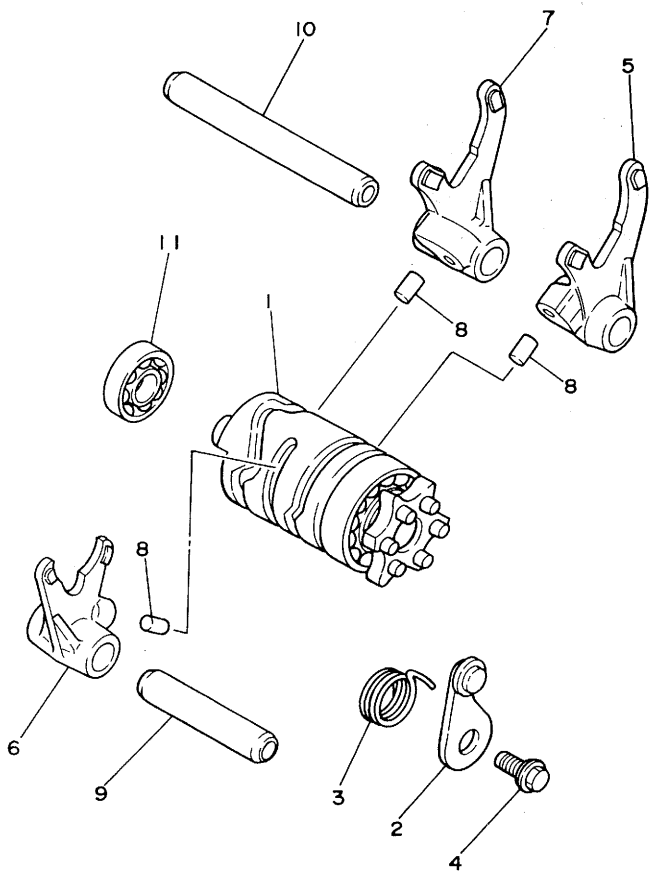


FIG. 14 SHIFT CAM. FORK

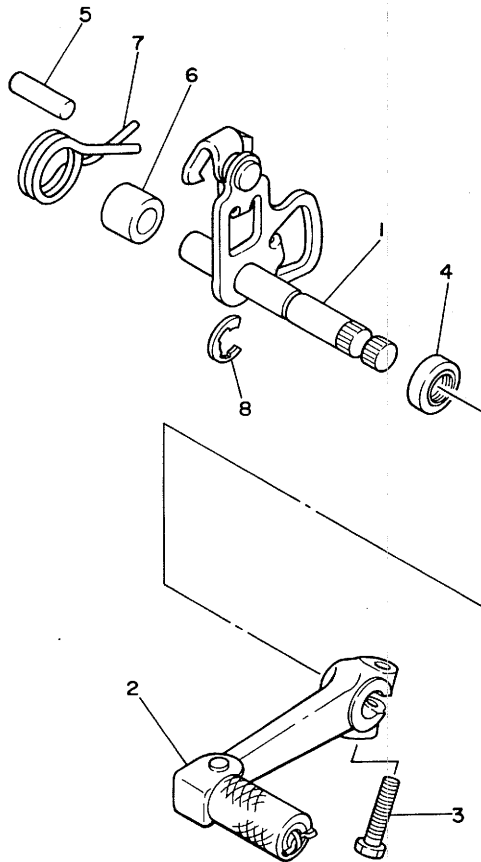
REF. NO.	PART NO.	DESCRIPTION	Q'TY	REMARKS
1	24X-18540-00	SHIFT CAM ASSY	1	
2	3R3-18140-00	STOPPER LEVER ASSY	1	
3	90508-26435	SPRING, torsion	1	
4	1W1-18177-00	BOLT, stopper	1	
5	5X4-18511-00	FORK, shift 1	1	
6	5X4-18512-00	FORK, shift 2	1	
7	5X4-18513-00	FORK, shift 3	1	
8	90250-06013	PIN, straight	3	
9	5X5-18531-01	BAR, shift fork guide 1	1	
10	5X5-18535-01	BAR, shift fork guide 2	1	
11	93306-00106	BEARING	1	



55Y100-5140

C6

FIG. 15 SHIFT SHAFT



REF. NO.	PART NO.	DESCRIPTION	Q'TY	REMARKS
1	24X-18101-00	SHIFT SHAFT ASSY	1	
2	24X-18110-01	SHIFT PEDAL ASSY	1	
3	97321-06025	BOLT	1	
4	93109-12012	OIL SEAL	1	
5	93608-25150	PIN, dowel	1	
6	90560-11189	SPACER	1	
7	90508-29361	SPRING, torsion	1	
8	93430-10016	CIRCLIP	1	



24X100-3160

C7

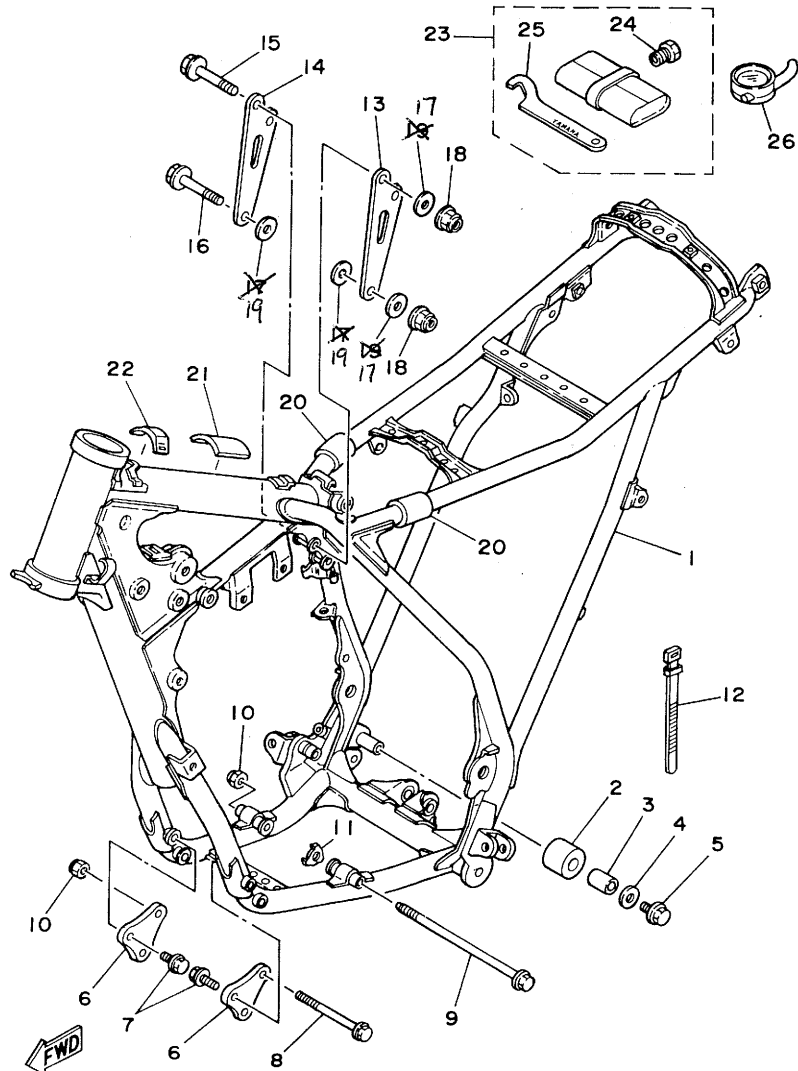


FIG. 16 FRAME

REF. NO.	PART NO.	DESCRIPTION	Q'TY	REMARKS
1	55Y-21110-00-FH	FRAME COMP.	1	fire red
2	22W-22178-01	TENSIONER	1	
3	4V4-22184-00	BUSH	1	
4	90201-08753	WASHER, plate	1	
5	95802-08012	BOLT, flange	1	
6	39W-21419-00	BRACKET, engine 2	2	
7	95811-08040	BOLT, flange	4	
8	95811-08095	BOLT, flange	1	
9	90105-08326	BOLT, washer based	1	
10	90185-08113	NUT, self-locking	2	
11	90214-09019	WASHER, claw	1	
12	7F6-82591-00	BAND	1	
13	55Y-21425-00	BRACKET, rear upper 1	1	
14	55Y-21426-00	BRACKET, rear upper 2	1	
15	95811-08055	BOLT, flange	2	
16	95811-08065	BOLT, flange	1	
17	90202-08022	WASHER, plate	2	
18	90185-08113	NUT, self-locking	3	
19	90201-08114	WASHER, plate	2	
20	362-24182-00	DAMPER, locating 2	2	
21	583-24182-00	DAMPER, locating 2	1	
22	5X5-24184-00	DAMPER, locating 4	1	
23	39W-28100-01	TOOL KIT	1	
24	2K7-85555-00	.PULLER, rotor	1	
25	1W1-28135-10	.SPANNER, special	1	
26	2X4-2811A-00	GAUGE, air	1	

55Y100-5160

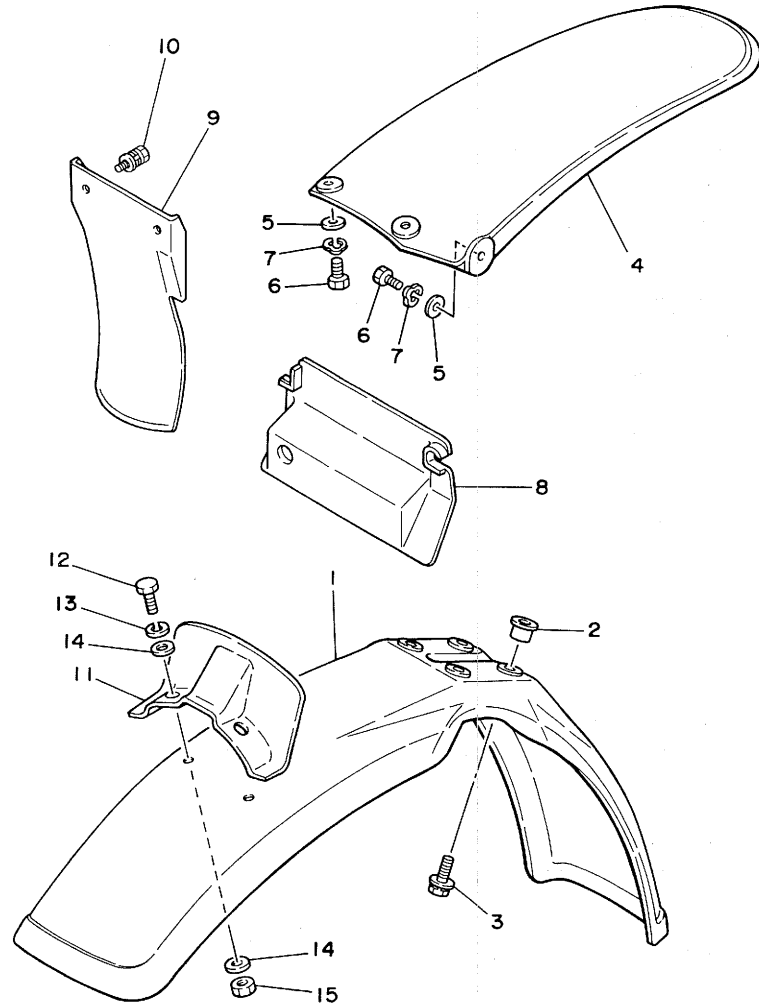


FIG. 17 FENDER

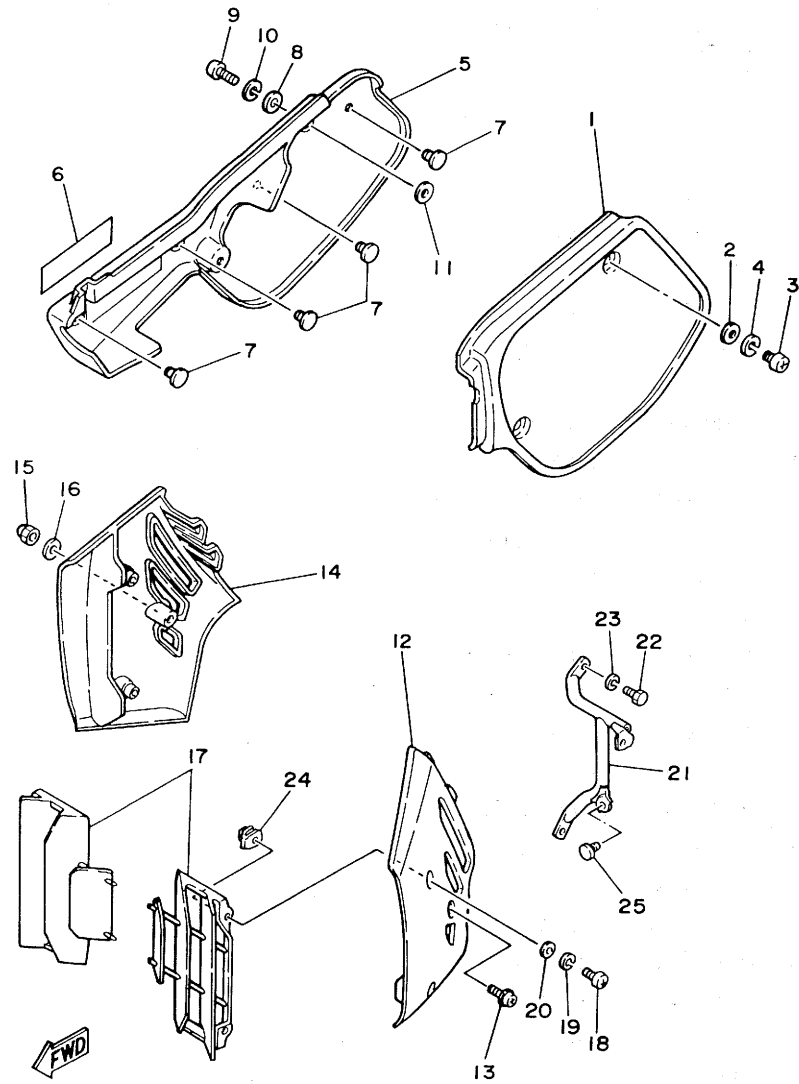
REF. NO.	PART NO.	DESCRIPTION	Q'TY	REMARKS
1	5X6-21511-10	FENDER, front	1	white
2	90387-06681	COLLAR	4	
3	90119-06063	BOLT, with washer	4	
4	39W-21611-10	FENDER, rear	1	white
5	90201-06571	WASHER, plate	4	
6	97301-06016	BOLT	4	
7	92901-06700	WASHER, wave	4	
8	39W-21629-00	GUARD, mud	1	
9	39W-21642-00	GUARD, flap	1	
10	90119-06042	BOLT, with washer	2	
11	4V2-21543-01	PLATE 1	1	
12	97301-06020	BOLT	2	
13	92901-06100	WASHER, spring	2	
14	90201-06052	WASHER, plate	4	
15	95601-06100	NUT, u	2	



39W100-4172

C9

FIG. 18 SIDE COVER

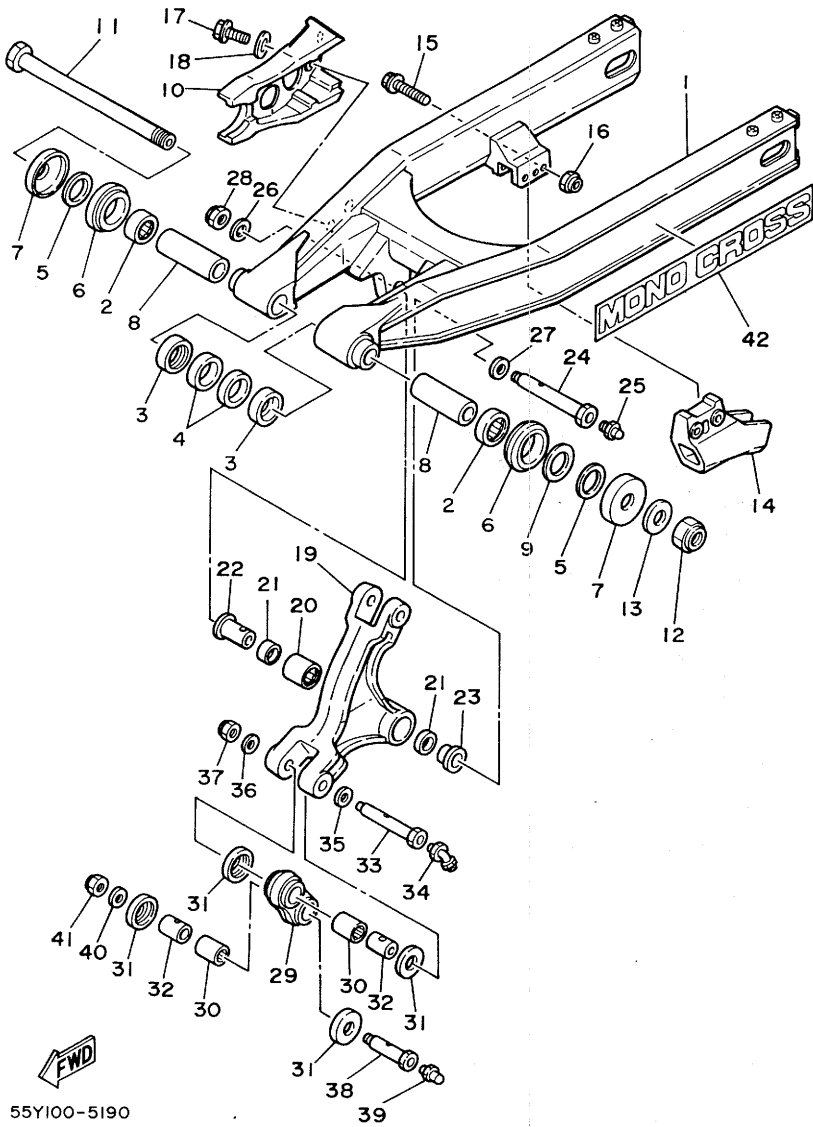


43MOIO-4181

REF. NO.	PART NO.	DESCRIPTION	Q'TY	REMARKS
1	39W-21711-11-98	COVER, side 1	1	low gloss black
2	90201-06571	WASHER, plate	2	
3	92501-06014	SCREW, pan head	2	
4	92901-06100	WASHER, spring	2	
5	39W-21721-11-98	COVER, side 2	1	low gloss black
6	39W-21737-10	EMBLEM	1	for w
7	22W-24181-00	DAMPER, locating 1	4	
8	90201-06571	WASHER, plate	2	
9	92501-06014	SCREW, pan head	2	
10	92901-06100	WASHER, spring	2	
11	92901-08200	WASHER, plain	1	
12	39W-21731-10	COVER, side 3	1	chappy red
13	90159-05100	SCREW, with washer	1	
14	39W-21741-11	COVER, side 4	1	
15	95301-05800	NUT, crown	1	
16	90201-05029	WASHER, plate	1	
17	24X-2172A-01	PANEL 1	2	
18	98501-05030	SCREW, pan head	4	
19	92901-05100	WASHER, spring	4	
20	90201-05029	WASHER, plate	4	
21	55Y-2174F-00	GUARD, radiator	1	
22	97301-08016	BOLT	2	
23	92901-08100	WASHER, spring	2	
24	22W-21791-00	NUT	5	
25	24X-12465-00	DAMPER, radiator	1	

FIG. 19 REAR ARM

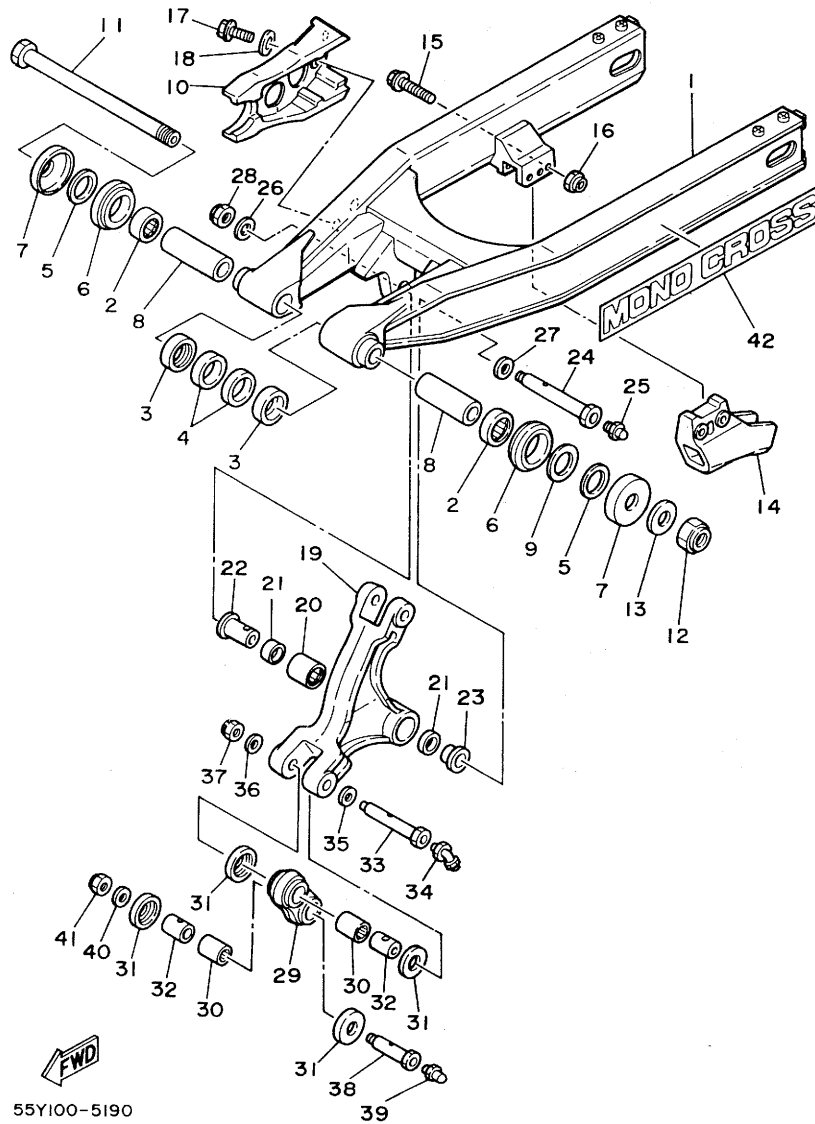
REF. NO.	PART NO.	DESCRIPTION	Q'TY	REMARKS
1	55Y-22110-00	REAR ARM COMP.	1	
2	93317-32231	BEARING, cylindrical	2	
3	90380-22111	BUSH, solid	2	
4	93106-22019	OIL SEAL	2	
5	90201-22680	WASHER, plate	2	
6	93108-35004	OIL SEAL	2	
7	2K6-22128-01	COVER, thrust 1	2	
8	90380-16077	BUSH, solid	2	
9	156-22127-00	SHIM (0.3T)	1	UN
10	39W-22151-00	SEAL, guard	1	
11	5X4-22141-01	SHAFT, pivot	1	
12	90185-16127	NUT, self-locking	1	
13	90201-160F6	WASHER, plate	1	
14	39W-22199-00	SUPPORT, chain	1	
15	95802-08045	BOLT, flange	2	
16	90185-08106	NUT, self-locking	2	
17	95801-06020	BOLT, flange	2	
18	90201-06067	WASHER, plate	2	
19	39W-2217A-00	ARM, relay	1	
20	93317-32034	BEARING, cylindrical	1	
21	93109-20029	OIL SEAL	2	
22	90387-147G6	COLLAR	1	
23	90387-147G7	COLLAR	1	
24	90109-12701	BOLT	1	
25	93700-06004	NIPPLE, grease	1	
26	90201-120A5	WASHER, plate	1	
27	90201-14222	WASHER, plate	1	
28	90185-12119	NUT, self-locking	1	



55Y100-5190

C11

FIG. 19 REAR ARM

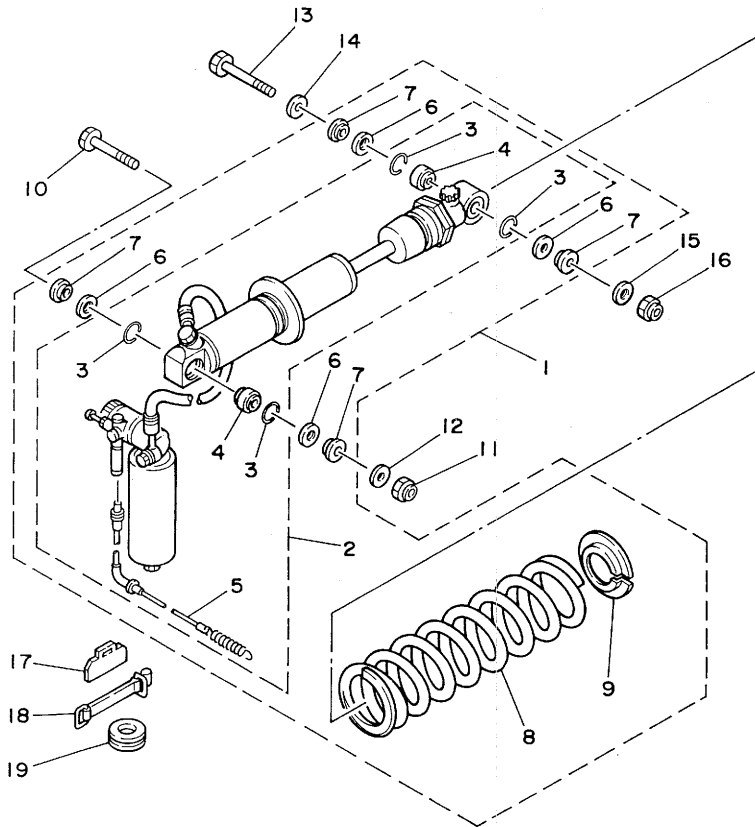


REF. NO.	PART NO.	DESCRIPTION	Q'TY	REMARKS
29	39W-2217F-00	ROD, connecting 1	1	
30	93315-31732	BEARING, cylindrical	2	
31	23X-22129-00	COVER, thrust 2	4	
32	90387-121H1	COLLAR	2	
33	90109-10702	BOLT	1	
34	93700-06005	NIPPLE, grease	1	
35	90201-120E6	WASHER, plate	1	
36	90201-100E9	WASHER, plate	1	
37	90185-10120	NUT, self-locking	1	
38	90109-10703	BOLT	1	
39	93700-06004	NIPPLE, grease	1	
40	90201-10430	WASHER, plate	1	
41	95611-10100	NUT, u	1	
42	5X3-2218A-00	EMBLEM, rear arm	2	

55Y100-5190

FIG. 20 REAR SUSPENSION

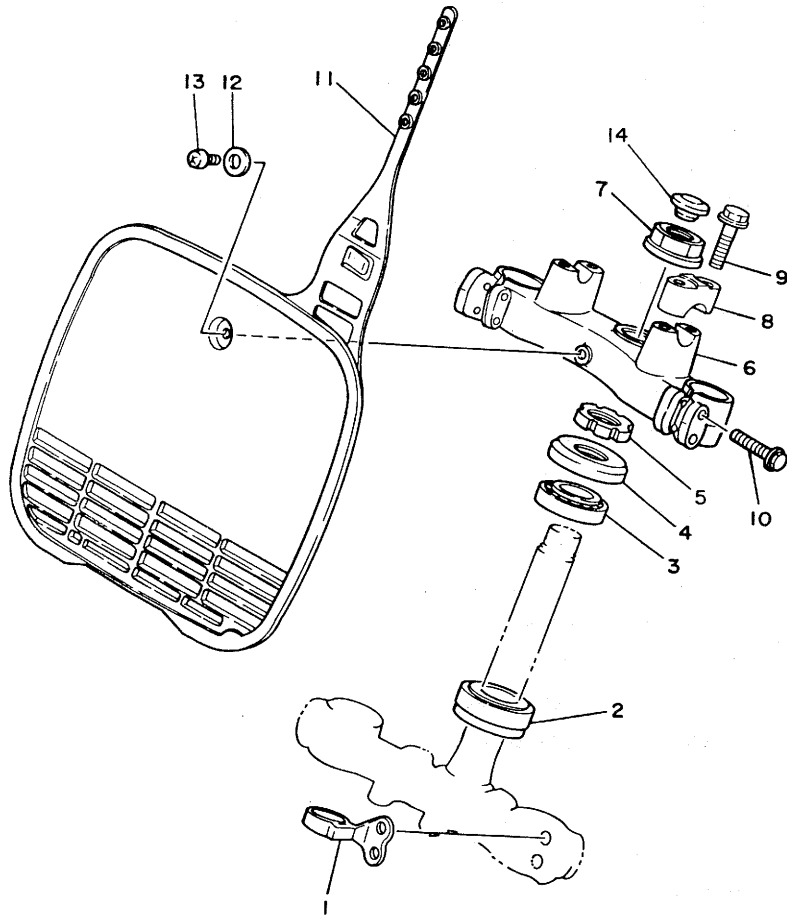
REF. NO.	PART NO.	DESCRIPTION	Q'TY	REMARKS
1	55Y-22210-10-6W	SHOCK ABSORBER ASSY, rear	1	native red
2	55Y-22201-10	.DAMPER SUB ASSY	1	
3	43M-22274-00	..RING, stop	4	
4	43M-22226-00	..BUSH, shock absorber lower	2	
5	55Y-22463-10	..CABLE, control 1	1	
6	43M-22475-00	..SEAL, dust	4	
7	43M-22216-00	.BUSH, rear shock absorber	4	
8	43M-22212-10-6W	.SPRING (K=4.25)	1	native red soft
9	43M-22214-00	.GUIDE, spring 1	1	
10	90109-10704	BOLT	1	
11	90185-10120	NUT, self-locking	1	
12	90201-10430	WASHER, plate	1	
13	90109-10700	BOLT	1	
14	90201-120E6	WASHER, plate	1	
15	90201-100E9	WASHER, plate	1	
16	90185-10120	NUT, self-locking	1	
17	56A-22261-00	DAMPER, sub tank	1	
18	24X-22262-00	HOLDER, sub tank	1	
19	90480-25381	GROMMET	1	



55Y010-5200

C13

FIG. 21 STEERING



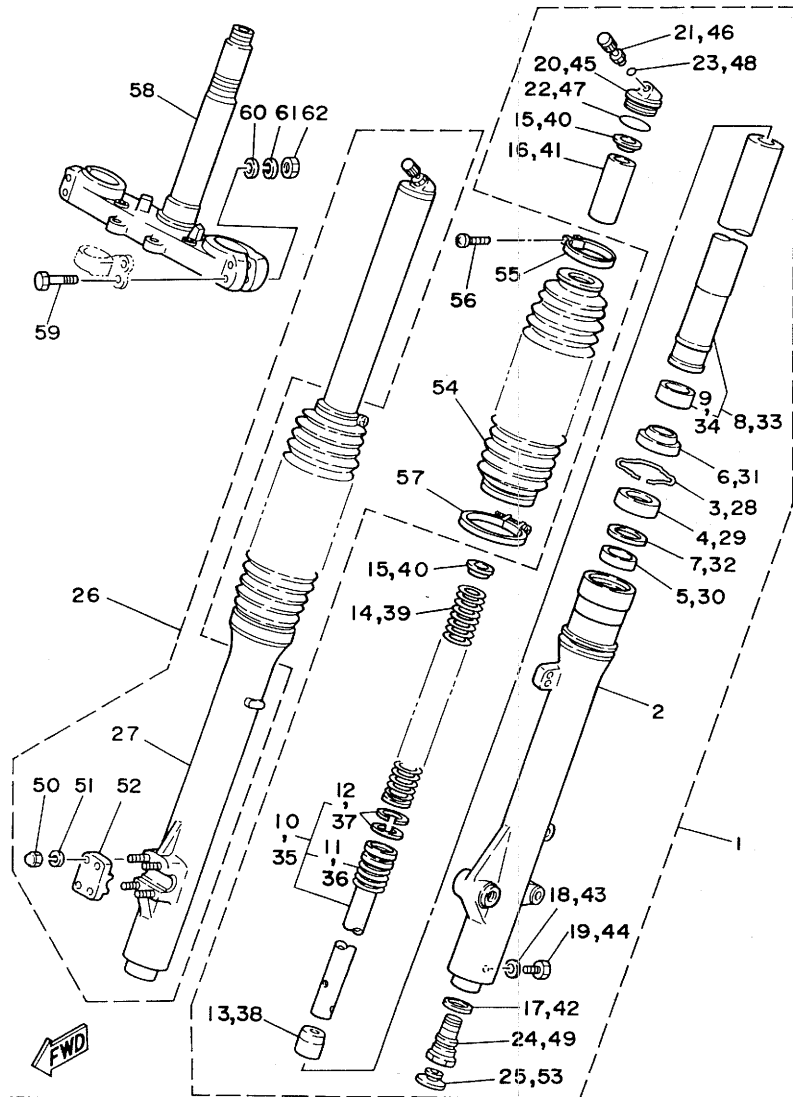
REF. NO.	PART NO.	DESCRIPTION	Q'TY	REMARKS
1	3R4-23389-00	GUIDE, cable	1	
2	93332-00008	BEARING	1	
3	93332-00023	BEARING	1	
4	1W1-23416-00	COVER, ball race 2	1	
5	90179-25033	NUT	1	
6	39W-23435-00-98	CROWN, handle	1	low gloss black
7	90179-22330	NUT	1	
8	1E6-23441-00	HOLDER, handle upper	2	
9	95821-08035	BOLT, flange	4	
10	95821-08040	BOLT, flange	4	
11	24X-23485-10	PLATE, number	1	white
12	90201-06571	WASHER, plate	1	
13	97801-06012	SCREW, pan head	1	
14	34K-2319U-00	CAP	1	



43N010-4210

C14

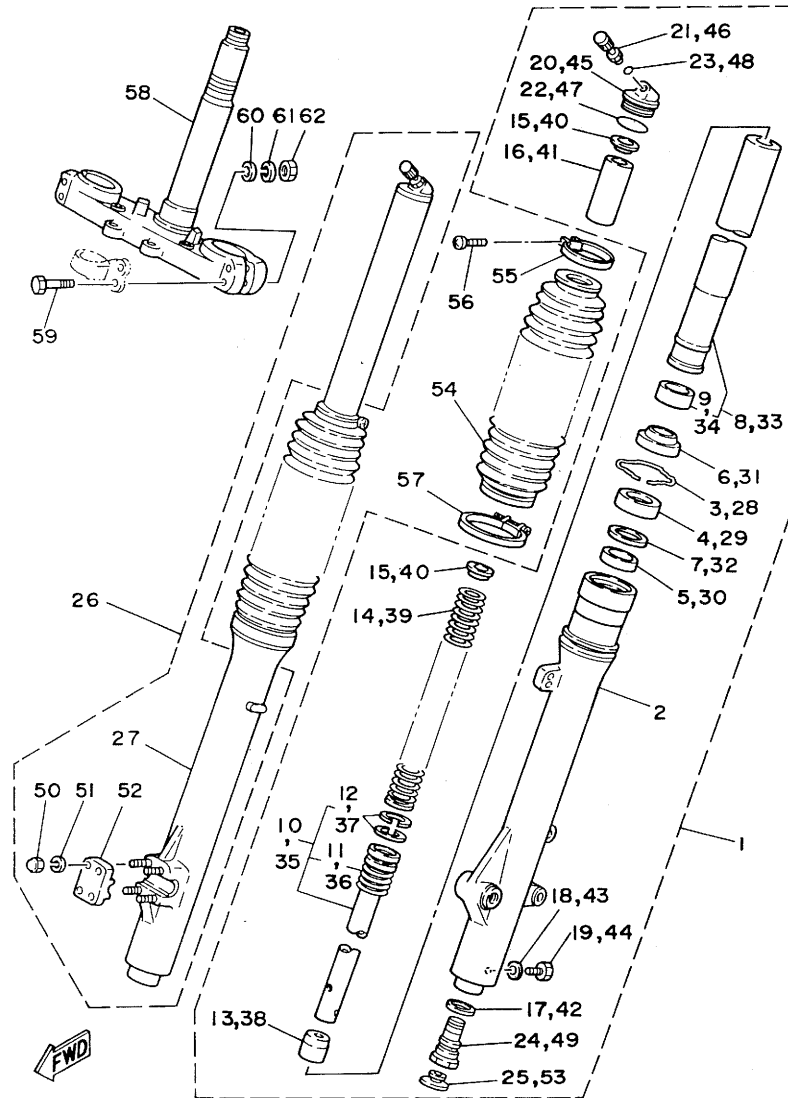
FIG. 22 FRONT FORK



REF. NO.	PART NO.	DESCRIPTION	Q'TY	REMARKS
1	55Y-23102-M0	FRONT FORK ASSY (L.H)	1	
2	55Y-23126-M0	.TUBE, outer 1	1	
3	4V4-23153-L0	.RING, snap	1	
4	23X-23145-L0	.OIL SEAL	1	
5	4V4-23125-L0	.METAL, slide 1	1	
6	23X-23144-L0	.SEAL, dust	1	
7	4V4-23146-L0	.WASHER, oil seal	1	
8	43M-23110-L0	.INNER TUBE COMP.1	1	
9	4V4-23171-L0	..PISTON, front fork	1	
10	55Y-23170-M0	.CYLINDER COMP., front fork	1	
11	55Y-23152-M0	..SPRING, sub	1	
12	4V4-23157-L0	..RING, piston	2	
13	23X-23173-L0	.SPINDLE, taper	1	
14	43M-23141-L0	.SPRING, front fork (K=0.275)	1	
15	4V4-23142-L0	.SEAT, spring upper	2	
16	43M-23118-L0	.SPACER	1	
17	23X-23158-L0	.GASKET	1	
18	122-23129-00	.GASKET, drain plug	1	
19	122-23119-01	.PLUG, drain	1	
20	43M-23111-L0	.BOLT, cap	1	
21	23X-23190-L0	.AIR VALVE COMP.	1	
22	4V4-23188-L0	.O-RING	1	
23	3J2-23147-00	.O-RING	1	
24	56A-2316A-M0	.VALVE COMP.	1	
25	55Y-23126-M0	.PLUG	1	
26	55Y-23103-M0	FRONT FORK ASSY (R.H)	1	
27	55Y-23136-M0	.TUBE, outer 2	1	
28	4V4-23153-L0	.RING, snap	1	

43M300-4221

FIG. 22 FRONT FORK

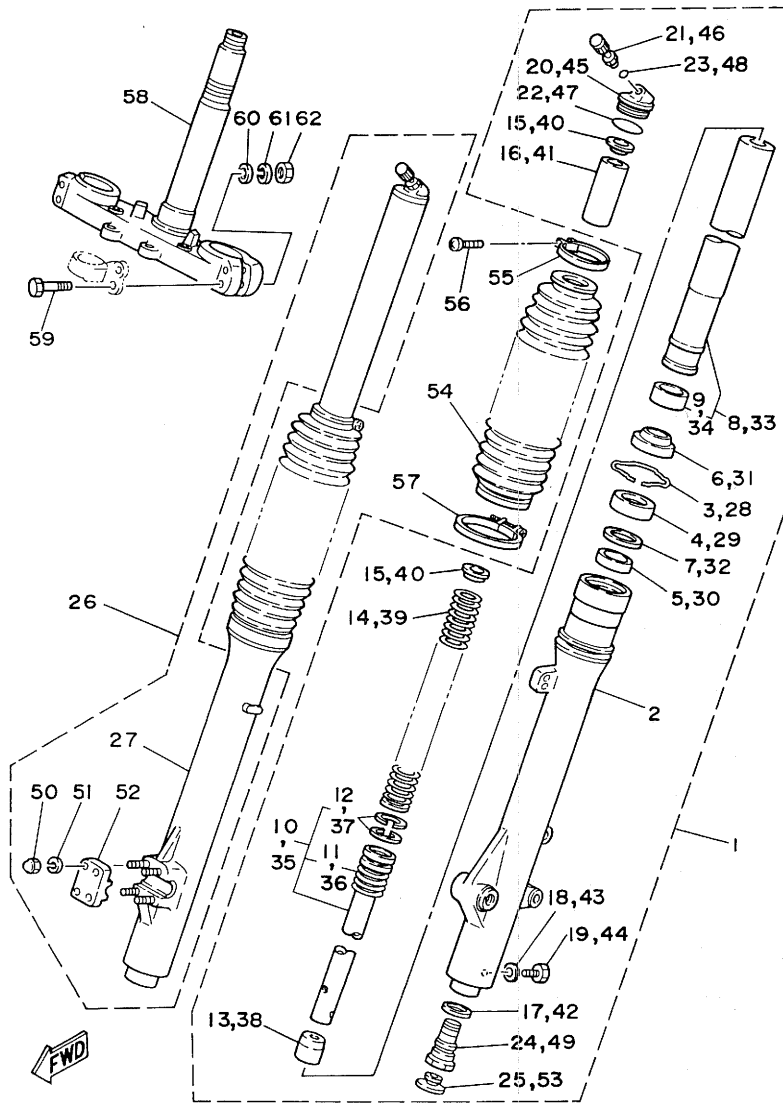


43M300-4221

REF. NO.	PART NO.	DESCRIPTION	Q'TY	REMARKS
29	23X-23145-L0	.OIL SEAL	1	
30	4V4-23125-L0	.METAL, slide 1	1	
31	23X-23144-L0	.SEAL, dust	1	
32	4V4-23146-L0	.WASHER, oil seal	1	
33	43M-23110-L0 39x 80	.INNER TUBE COMP.1	1	
34	4V4-23171-L0	..PISTON, front fork	1	
35	55Y-23170-M0	.CYLINDER COMP., front fork	1	
36	55Y-23152-M0	..SPRING, sub	1	
37	4V4-23157-L0	..RING, piston	2	
38	23X-23173-L0	.SPINDLE, taper	1	
39	43M-23141-L0	.SPRING, front fork (K=0.275)	1	
40	4V4-23142-L0	.SEAT, spring upper	2	
41	43M-23118-L0	.SPACER	1	
42	23X-23158-L0	.GASKET	1	
43	122-23129-00	.GASKET, drain plug	1	
44	122-23119-01	.PLUG, drain	1	
45	43M-23111-L0	.BOLT, cap	1	
46	23X-23190-L0	.AIR VALVE COMP.	1	
47	4V4-23188-L0	.O-RING	1	
48	3J2-23147-00	.O-RING	1	
49	56A-2316A-M0	.VALVE COMP.	1	
50	5Y3-23393-00	.NUT, special	4	
51	92901-06100	.WASHER, spring	4	
52	43M-23167-L0	.HOLDER, axle	1	
53	55Y-23126-M0	.PLUG	1	
54	43M-23191-L0	BOOT	2	red
55	43M-23192-L0	BAND	2	
56	98506-04018	SCREW, pan head	2	

D2

FIG. 22 FRONT FORK

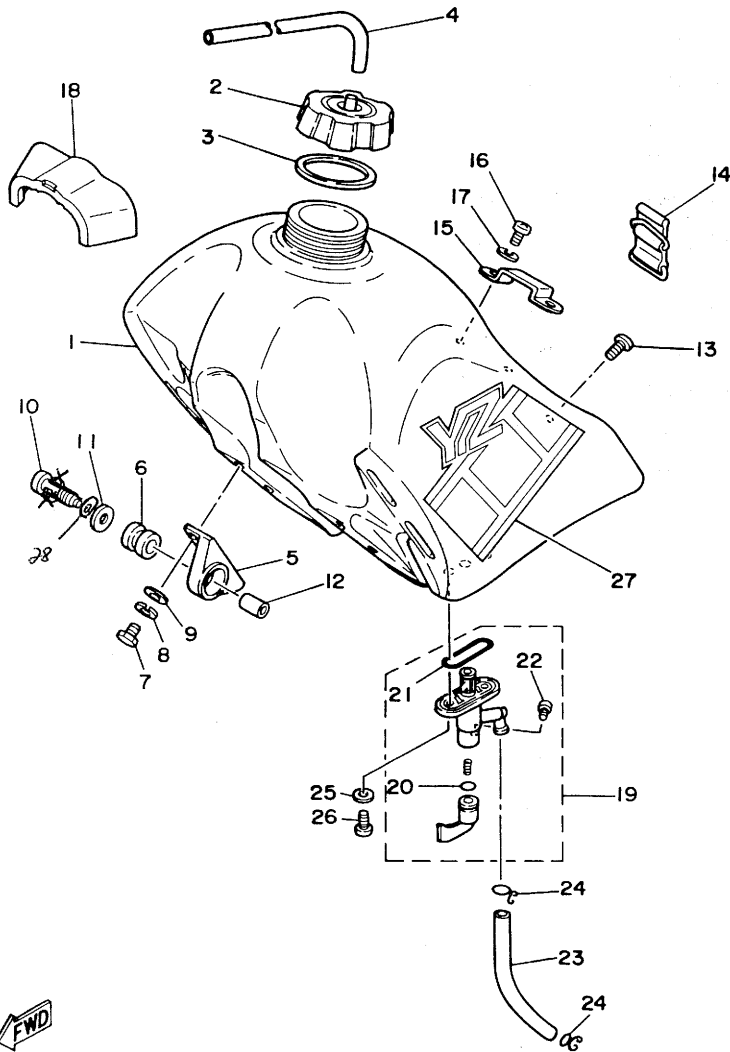


REF. NO.	PART NO.	DESCRIPTION	Q'TY	REMARKS
57	43M-23489-L0	BAND	2	
58	43M-23340-L0-39	UNDER BRACKET COMP.	1	clear no buffing
59	90109-08397	BOLT	4	
60	90201-08544	WASHER, plate	4	
61	92901-08100	WASHER, spring	4	
62	95311-08600	NUT	4	

43M300-4221

D3

FIG. 23 FUEL TANK



REF. NO.	PART NO.	DESCRIPTION	Q'TY	REMARKS
1	39W-24110-10	FUEL TANK COMP.	1	white
2	5X7-24611-01	BODY, cap	1	
3	5X7-24612-00	GASKET, cap	1	
4	90445- 09300 ⁰⁹²⁵²	HOSE	1	
5	24X-24144-00	HOLDER, damper	2	
6	90480-18354	GROMMET	2	
7	97301-06016	BOLT	4	
8	92901-06100	WASHER, spring	4	
9	90201-061A5	WASHER, plate	4	
10	90119-06073 ⁹⁷³²¹⁻⁰⁶⁰³⁵	BOLT, with washer	2	
11	90201-06070	WASHER, plate	2	
12	90387-06387	COLLAR	2	
13	98902-06018	SCREW, bind	1	
14	3R3-24173-00	BAND, tank fitting 1	1	
15	5X6-2412F-00	BRACKET, seat	1	
16	92501-06012	SCREW, pan head	2	
17	92901-06100	WASHER, spring	2	
18	39W-24181-00	DAMPER, locating 1	1	
19	2K5-24500-00	FUEL COCK ASSY 1	1	
20	214-24512-00	.GASKET	1	
21	1A0-24512-00	.O-RING	1	
22	619-24535-00	.SCREW, lever fitting	1	
23	90445-11152	HOSE	1	
24	90467-10008	CLIP	2	
25	90202-06010	WASHER, plate	2	
26	90149-06011	SCREW	2	
27	55Y-24250-10	GRAPHIC SET	1	
28	92901-06100	WASHER	2	

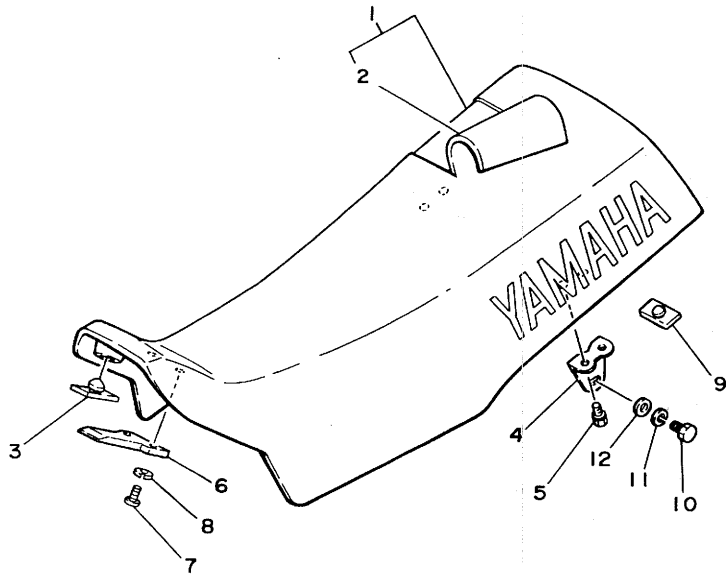


55Y100-5230

D4

FIG. 24 SEAT

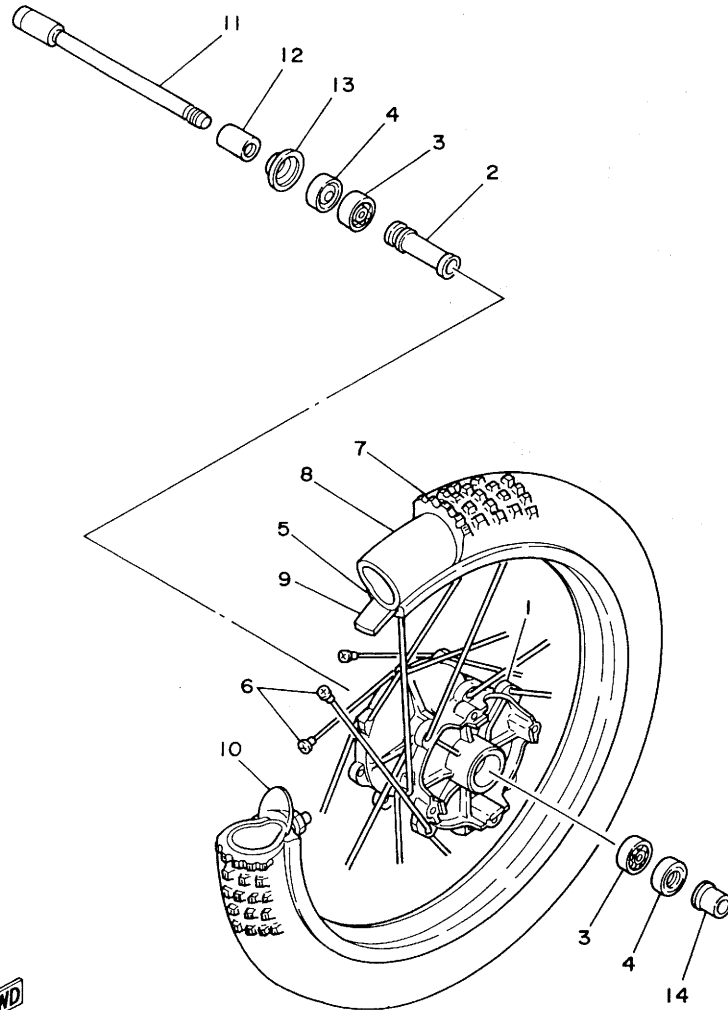
REF. NO.	PART NO.	DESCRIPTION	Q'TY	REMARKS
1	39W-W2473-10	SEMI-DOUBLE SEAT ASSY	1	red
2	24X-24731-10	.COVER, seat	1	
3	509-24724-00	DAMPER, seat	2	
4	39W-24738-00	BRACKET, seat	2	
5	95801-06012	BOLT, flange	4	
6	5X6-24748-10	BRACKET, seat	1	
7	92501-06012	SCREW, pan head	2	
8	92901-06100	WASHER, spring	2	
9	509-24724-00	DAMPER, seat	1	
10	97301-08016	BOLT	2	
11	92901-08100	WASHER, spring	2	
12	90201-087F0	WASHER, plate	2	



43M300-4242

D5

FIG. 25 FRONT WHEEL



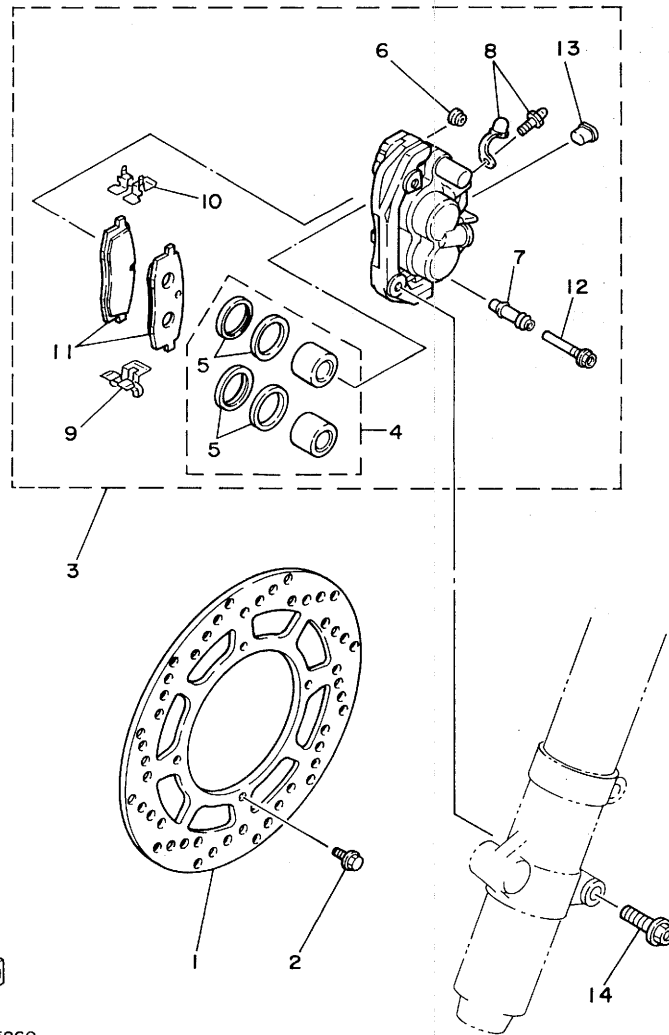
REF. NO.	PART NO.	DESCRIPTION	Q'TY	REMARKS
1	56A-25111-00-98	HUB, front	1	low gloss black
2	90560-15227	SPACER	1	
3	93306-20205	BEARING (B6202)	2	
4	93106-20021	OIL SEAL	2	
5	94416-21412	RIM (1.60-21)	1	
6	56A-25104-00	SPOKE SET, front	1	
7	94109-21264	TIRE	1	bridgestone
8	94209-21229	TUBE	1	bridgestone
9	94330-21084	BAND, rim (3.00-21)	1	bridgestone
10	4V5-25194-00	SPACER, bead	1	
11	3R4-25181-01	AXLE, wheel	1	
12	90387-15535	COLLAR	1	
13	322-25118-00	COVER, hub dust	1	
14	90387-157L9	COLLAR	1	



56A110-5250

D6

FIG. 26 FRONT BRAKE CALIPER



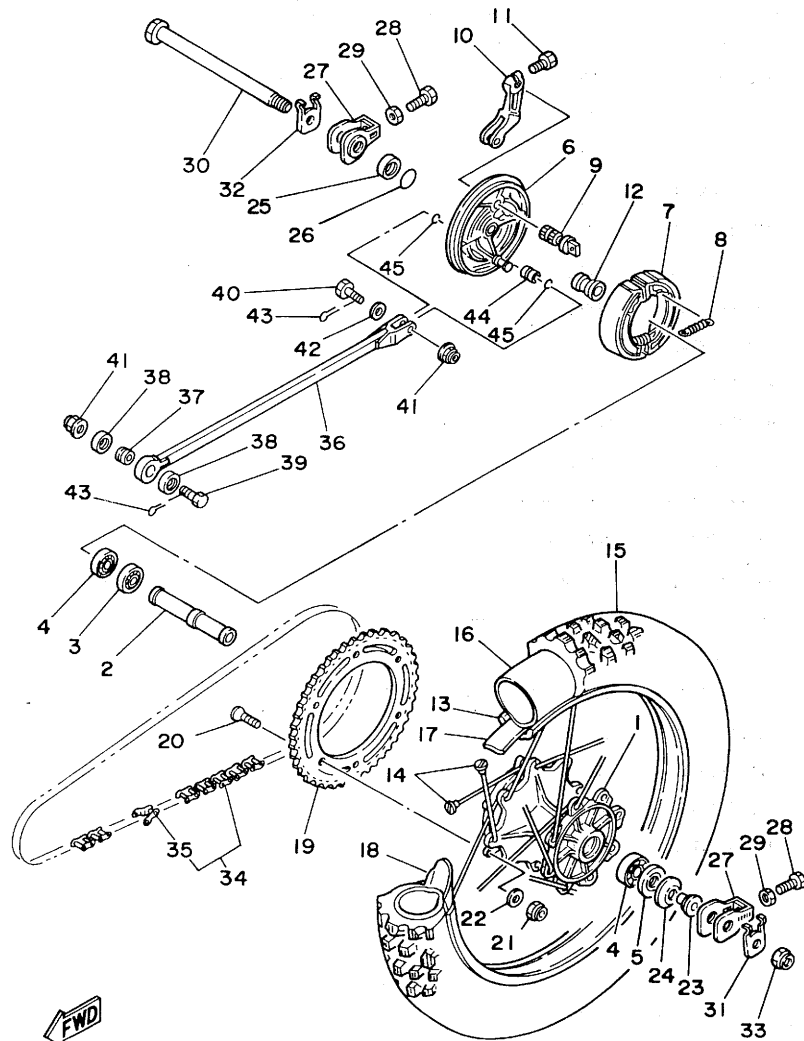
REF. NO.	PART NO.	DESCRIPTION	Q'TY	REMARKS
1	56A-25831-00	DISC, brake (RIGHT)	1	
2	90109-06757	BOLT	4	
3	56A-25810-00	CALIPER ASSY (RIGHT)	1	
4	56A-W0057-00	.PISTON ASSY, caliper	1	
5	56A-W0047-00	..CALIPER SEAL KIT	1	
6	5R2-25197-00	.BOOT	1	
7	56A-25937-00	.BOOT 2	1	
8	51L-W0048-00	.BLEED SCREW KIT	1	
9	56A-25919-00	.SUPPORT, pad	1	
10	56A-25919-10	.SUPPORT, pad	1	
11	56A-W0046-00	.BRAKE PAD KIT, rear	1	
12	56A-25926-00	.BOLT	1	
13	34X-25845-00	.CAP, indicator	1	
14	95811-08040	BOLT, flange	2	



56A110-5260

D7

FIG. 27 REAR WHEEL



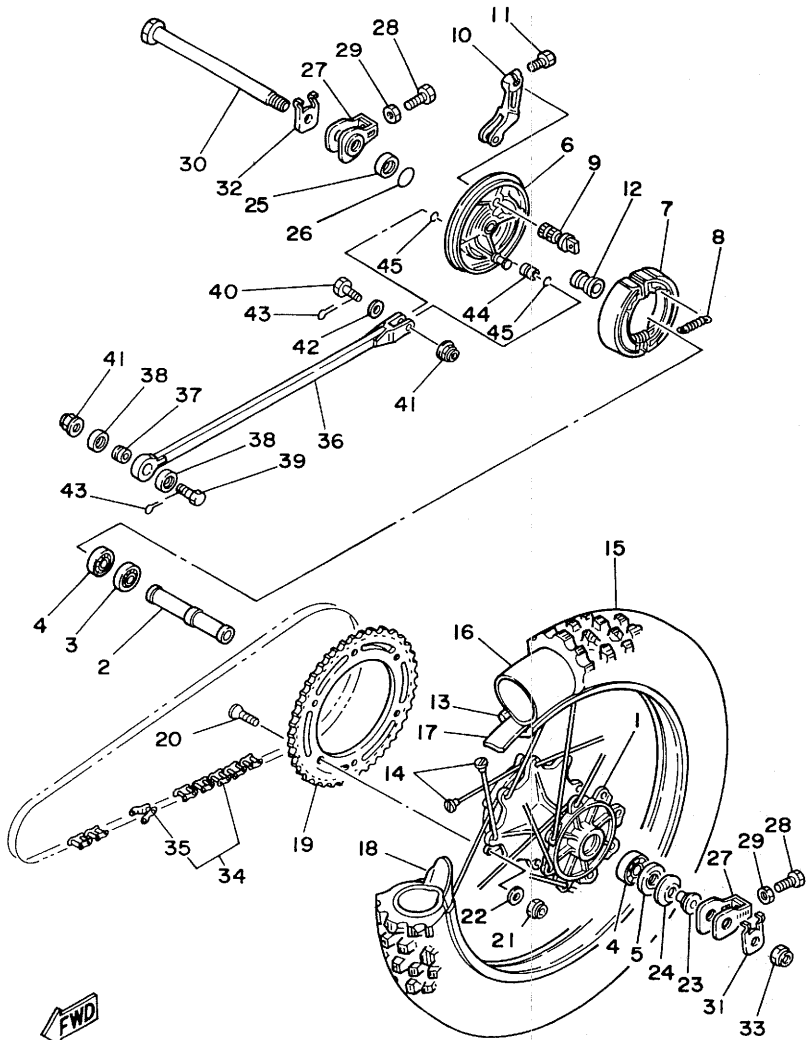
55Y100-5270

REF. NO.	PART NO.	DESCRIPTION	Q'TY	REMARKS
1	55Y-25311-00-98	HUB, rear	1	low gloss black
2	90560-17231	SPACER	1	
3	93306-20310	BEARING (B6203DU)	1	
4	93306-20316	BEARING (B6203)	2	
5	93106-25022	OIL SEAL	1	
6	24X-25321-00-98	PLATE, brake shoe	1	low gloss black
7	39W-25330-00	BRAKE SHOE COMP.	2	
8	90506-17328	SPRING, tension	2	
9	24X-25351-00	CAMSHAFT	1	
10	5X4-25355-00	LEVER, camshaft	1	
11	90101-06291	BOLT	1	
12	90387-210H8	COLLAR	1	
13	94418-18413	RIM (1.85-18)	1	
14	55Y-25304-00	SPOKE SET, rear	1	
15	94112-182G7	TIRE	1	bridgestone
16	94212-18230	TUBE	1	bridgestone
17	94330-18087	BAND, rim (3.00-18)	1	bridgestone
18	39W-25394-00	SPACER, bead	2	
19	39W-25450-00	SPROCKET, driven (50T)	1	
	39W-25444-00	SPROCKET, driven (44T)	1	AP
	39W-25445-00	SPROCKET, driven (45T)	1	AP
	39W-25446-00	SPROCKET, driven (46T)	1	AP
	39W-25448-00	SPROCKET, driven (48T)	1	AP
	39W-25452-00	SPROCKET, driven (52T)	1	AP
20	90109-08706	BOLT	6	
21	90185-08089	NUT, self-locking	6	
22	90201-081A6	WASHER, plate	6	
23	90387-170H9	COLLAR	1	

D8

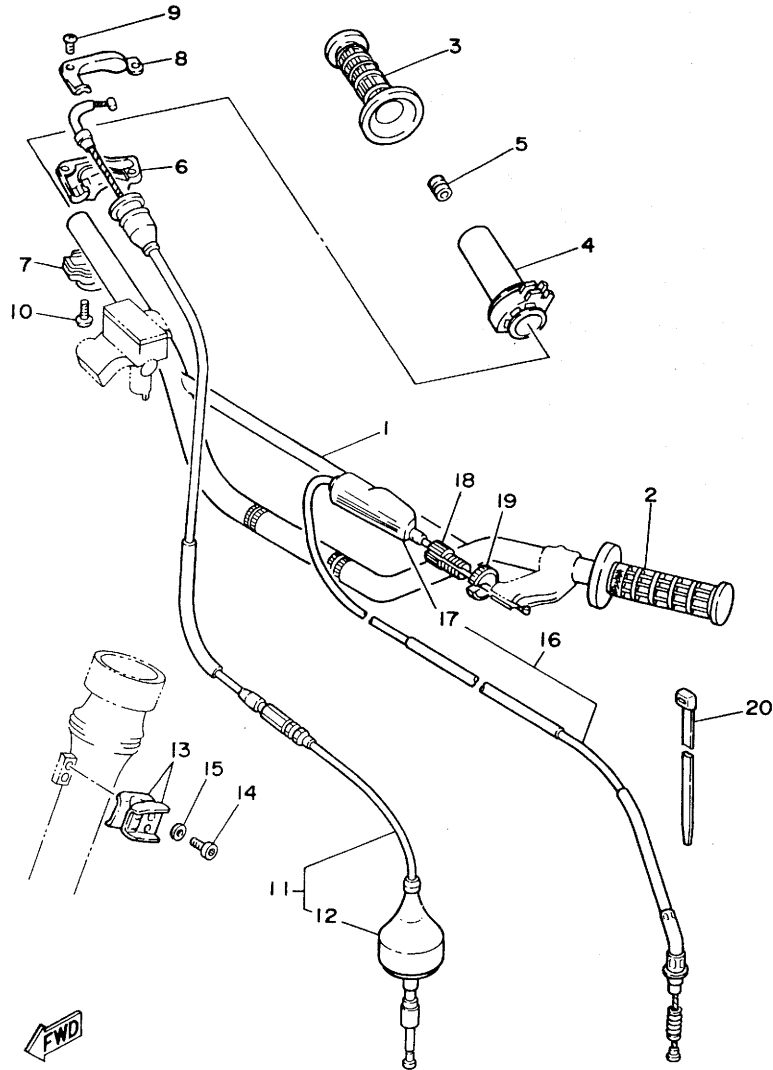
FIG. 27 REAR WHEEL

REF. NO.	PART NO.	DESCRIPTION	Q'TY	REMARKS
24	24X-25367-00	COVER, hub dust	1	
25	275-25327-00	COVER, plate	1	
26	93210-31114	O-RING	1	
27	39W-25388-00	PULLER, chain 1	2	
28	90101-08475	BOLT	2	
29	95301-08700	NUT	2	
30	24X-25381-00	AXLE, wheel	1	
31	90209-16246	WASHER	1	
32	90209-17245	WASHER	1	
33	90185-16103	NUT, self-locking	1	
34	94585-20114	CHAIN, drive (DID520DS 114L)	1	
35	94685-20001	.JOINT, chain	1	
36	39W-25371-00	BAR, tension	1	
37	93399-99910	BEARING	1	
38	93112-19006	OIL SEAL	2	
39	90102-08034	BOLT, with hole	1	
40	90109-08370	BOLT	1	
41	90185-08113	NUT, self-locking	2	
42	92901-08600	WASHER, plate	1	
43	91401-20015	PIN, cotter	2	
44	90387-083F0	COLLAR	1	
45	93210-14167	O-RING	2	



55Y100-5270

FIG. 28 STEERING HANDLE. CABLE

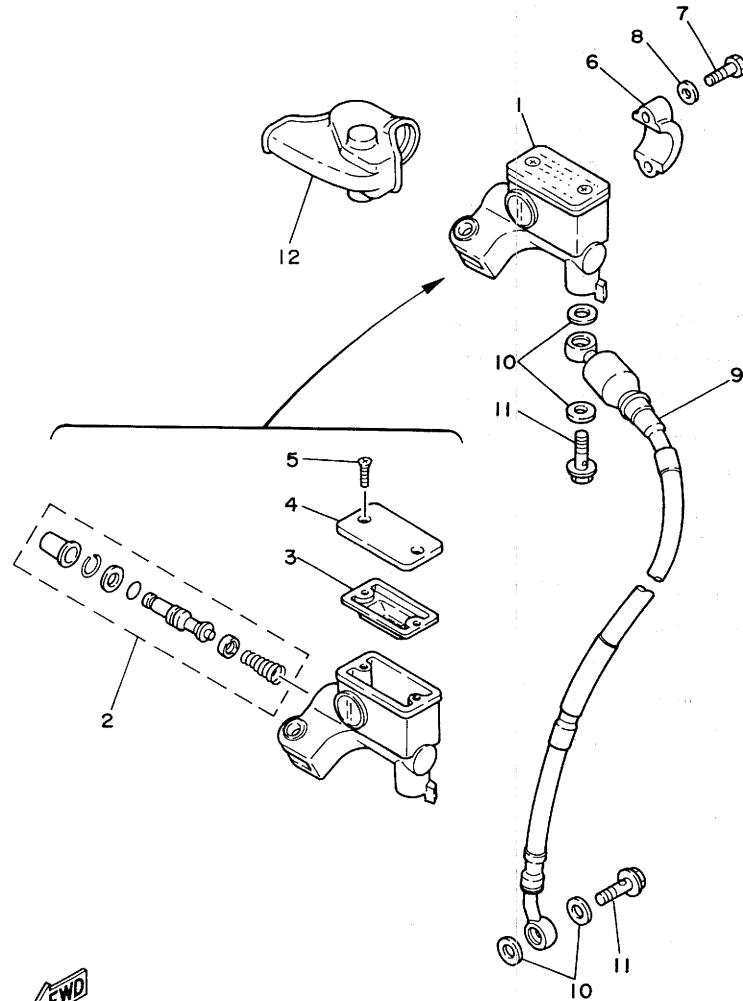


REF. NO.	PART NO.	DESCRIPTION	Q'TY	REMARKS
1	23X-26111-00	HANDLEBAR	1	
2	4V4-26241-01	GRIP (L.H)	1	
3	4V4-26242-01	GRIP (R.H)	1	
4	23X-26243-00	TUBE, throttle guide	1	
5	688-82535-00	GROMMET	1	
6	23X-26281-00	CAP, grip upper	1	
7	431-26282-01-98	CAP, grip lower	1	low gloss black
8	5X2-2628H-01	CAP, wire	1	
9	98606-04012	SCREW, oval head	2	
10	98506-05016	SCREW, pan head	2	
11	24X-26311-00	CABLE, throttle 1	1	
12	510-26329-00	.CAP, rubber	1	
13	90465-16258	CLAMP	2	
14	91311-06016	BOLT	2	
15	90201-061A5	WASHER, plate	2	
16	39W-26335-00	CABLE, clutch	1	
17	382-26372-01	.COVER, handle lever 1	1	
18	90123-08090	BOLT	1	
19	90179-08401	NUT	1	
20	90465-13275	CLAMP	1	

55Y100-5280

D10

FIG. 29 FRONT MASTER CYLINDER



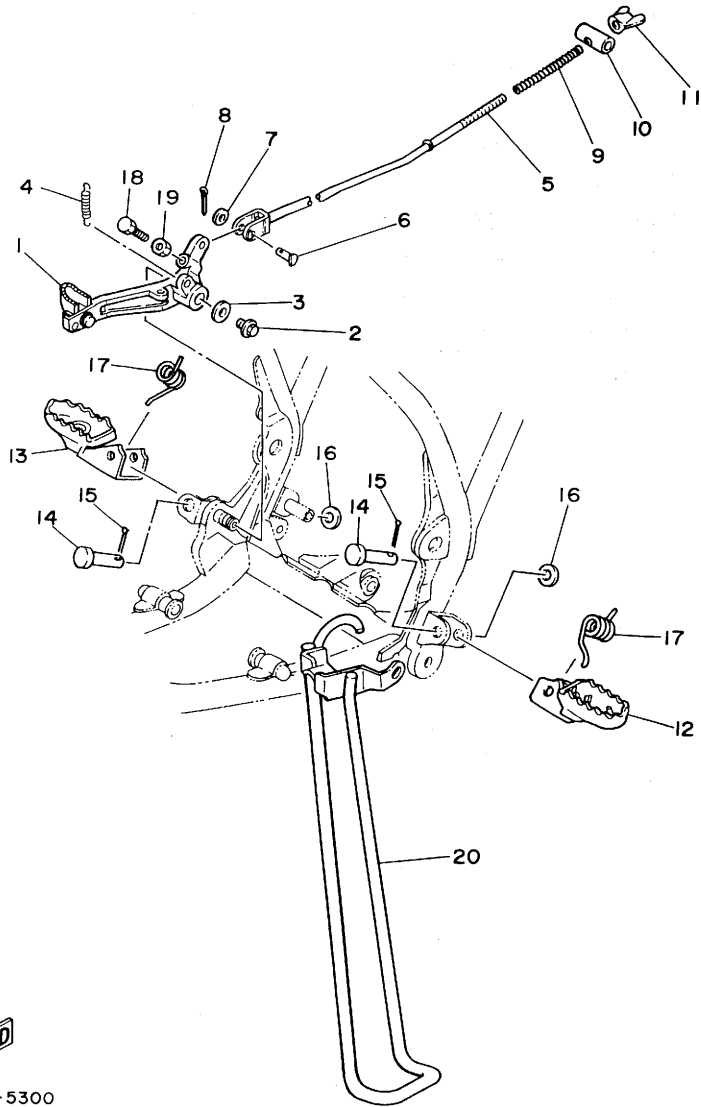
REF. NO.	PART NO.	DESCRIPTION	Q'TY	REMARKS
1	56A-25870-00	MASTER CYLINDER SUB ASSY	1	
2	56A-W0041-00	.CYLINDER KIT, master	1	
3	56A-25854-00	.DIAPHRAGM, reservoir	1	
4	56A-25852-00	.CAP, reservoir	1	
5	98706-04012	.SCREW, flat head	2	
6	56A-25867-00	BRACKET, master cylinder	1	
7	97326-06025	BOLT	2	
8	92906-06600	WASHER, plate	2	
9	56A-25872-00	HOSE, brake 1	1	
10	90201-10118	WASHER, plate	4	
11	90401-10034	BOLT, union	2	
12	56A-26372-00	COVER, handle lever 1	1	



56A110-5290

D11

FIG. 30 STAND. FOOTREST



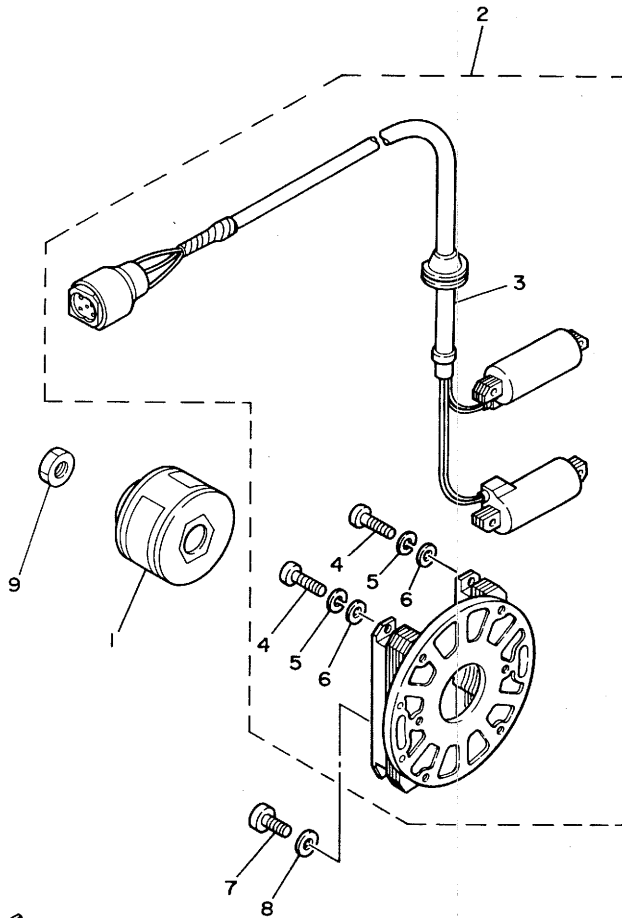
REF. NO.	PART NO.	DESCRIPTION	Q'TY	REMARKS
1	55Y-27200-00	PEDAL, brake	1	
2	95801-08012	BOLT, flange	1	
3	90201-08730	WASHER, plate	1	
4	90506-18373	SPRING, tension	1	
5	39W-27231-00	ROD, brake	1	
6	90240-06103	PIN, clevis	1	
7	92901-06200	WASHER, plain	1	
8	91401-20015	PIN, cotter	1	
9	90501-10245	SPRING, compression	1	
10	90249-12008	PIN	1	
11	90175-06016	NUT, wing	1	
12	23X-27411-01	FOOTREST 1	1	
13	23X-27421-02	FOOTREST 2	1	
14	90240-10101	PIN, clevis	2	
15	91401-25020	PIN, cotter	2	
16	90201-10119	WASHER, plate	2	
17	90508-20583	SPRING, torsion	2	
18	90101-06478	BOLT	1	
19	95301-06700	NUT	1	
20	39W-27311-00	STAND, side	1	



55Y100-5300

D12

FIG. 31 GENERATOR



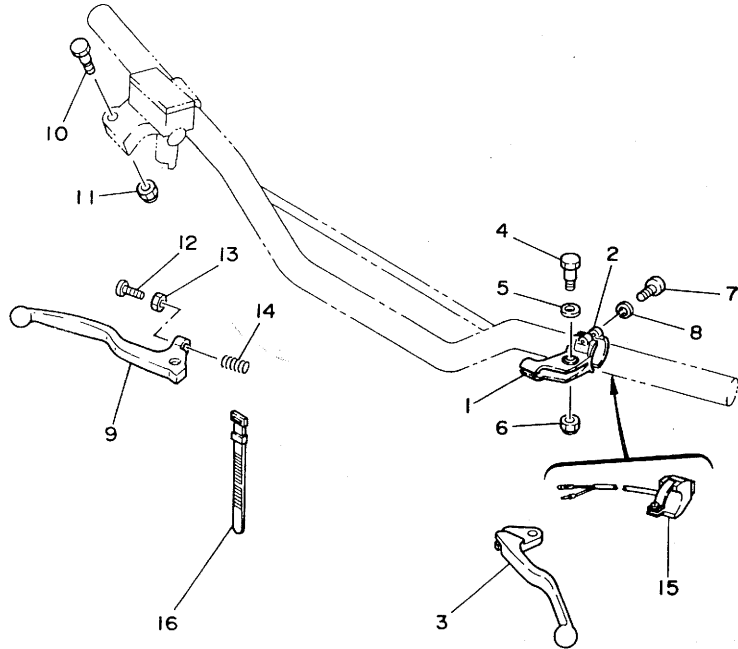
REF. NO.	PART NO.	DESCRIPTION	Q'TY	REMARKS
1	55Y-85550-10	ROTOR ASSY	1	
2	55Y-85510-11	STATOR ASSY	1	
3	55Y-85520-10	.COIL, charge	1	
4	98502-05030	.SCREW, pan head	6	
5	92990-05100	.WASHER, spring	6	
6	92901-05600	.WASHER, plate	6	
7	92501-06020	SCREW, pan head	2	
8	90201-061A5	WASHER, plate	2	
9	90179-10257	NUT	1	



55Y100-5310

D13

FIG. 32 HANDLE SWITCH. LEVER



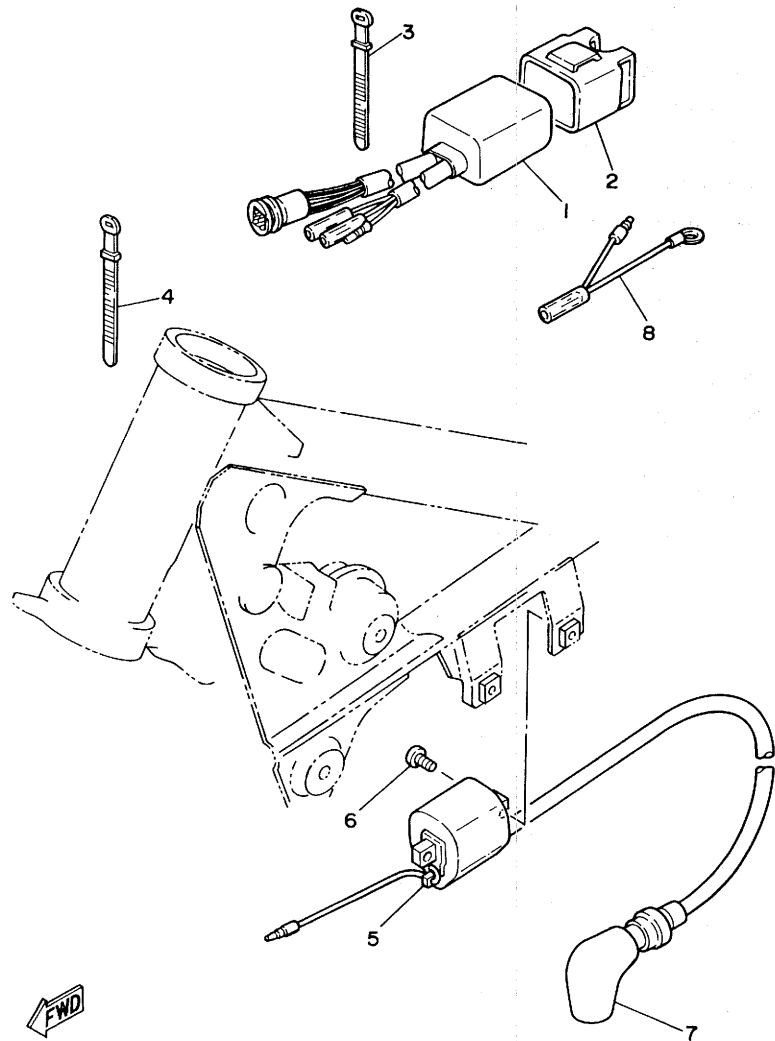
REF. NO.	PART NO.	DESCRIPTION	Q'TY	REMARKS
1	38V-82911-00	HOLDER, lever 1	1	
2	38V-82913-00	HOLDER, lever lower 1	1	
3	23X-83912-00	LEVER 1	1	
4	90109-06576	BOLT	1	
5	90201-082A9	WASHER, plate	1	
6	95606-06100	NUT, u	1	
7	98506-05018	SCREW, pan head	2	
8	92906-05100	WASHER, spring	2	
9	55Y-83922-00	LEVER 2	1	
10	90109-06577	BOLT	1	
11	95606-06100	NUT, u	1	
12	90149-06153	SCREW	1	
13	90170-06010	NUT	1	
14	90501-10312	SPRING, compression	1	
15	23X-83976-00	SWITCH, handle 1	1	
16	437-83936-00	BAND, switch cord	2	



56A110-5320

D14

FIG. 33 ELECTRICAL 1



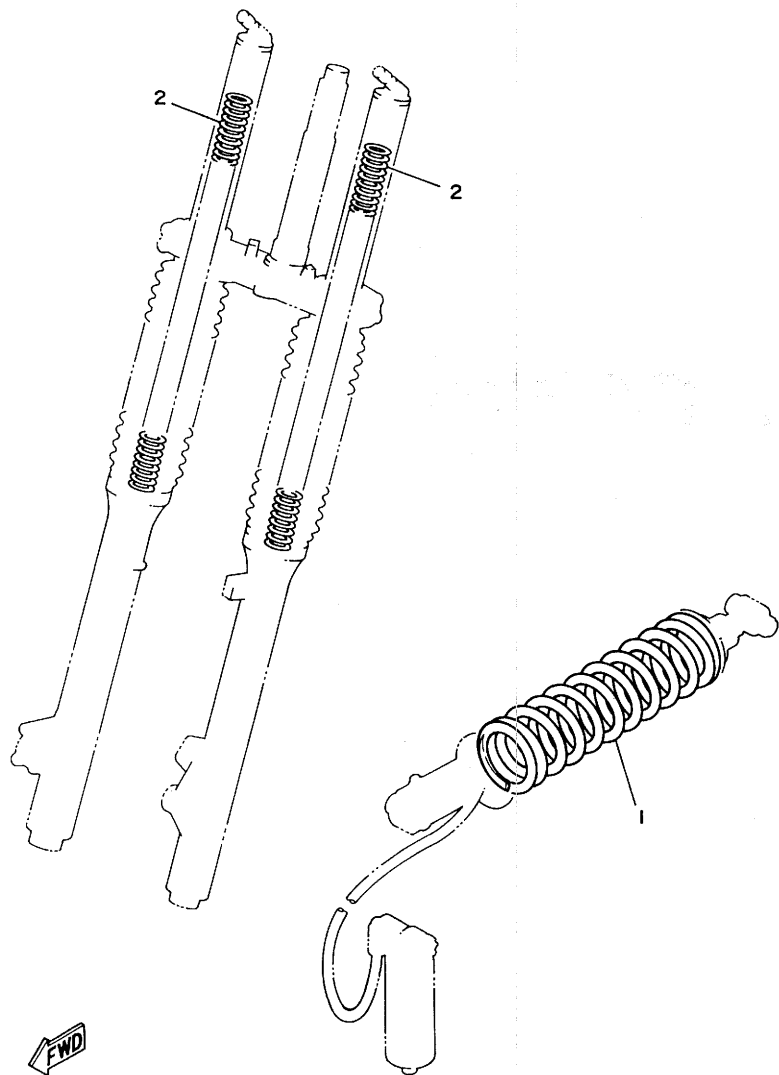
REF. NO.	PART NO.	DESCRIPTION	Q'TY	REMARKS
1	55Y-85540-10	C.D.I. UNIT ASSY	1	
2	2A7-85546-00	BAND	1	
3	256-83936-00	BAND, switch cord	1	
4	7F6-82591-00	BAND	2	
5	24X-82310-10	IGNITION COIL ASSY	1	
6	92502-06016	SCREW, pan head	2	
7	1M1-82370-21	PLUG CAP ASSY	1	with noise suppressor
8	5X1-82519-00	WIRE, earth lead	1	


39W100-4310

D15

ALTERNATE PARTS

FIG. 34 ALTERNATE 1 (CHASSIS)



REF. NO.	PART NO.	DESCRIPTION	Q'TY	REMARKS
1	55Y-22212-00-6W	SPRING (K=4.0)	1	UR AP (soft)
	43M-22212-00-6W	SPRING (K=4.5)	1	UR AP (hard)
2	43M-23141-10	SPRING, front fork (K=0.26)	2	UR AP (soft)
	43M-23141-20	SPRING, front fork (K=0.29)	2	UR AP (hard)

FWD

39W100-4320

E2

REPAIR KIT

FIG. 35 REPAIR KIT

REF. NO.	PART NO.	DESCRIPTION	Q'TY	REMARKS
1	55Y-11630-00	PISTON ASSY (STD)	1	AP
2	55Y-11631-00-94	.PISTON (STD)	1	
3	5X4-11611-00	.RING, piston	1	
4	137-11633-00	.PIN, piston	1	
5	4V2-11634-00	.CLIP, piston pin	2	
6	55Y-11630-10	PISTON ASSY (1ST O/S)	1	AP
7	55Y-11635-00	.PISTON (0.25MM O/S)	1	
8	5X4-11611-10	.RING, piston	1	
9	137-11633-00	.PIN, piston	1	
10	4V2-11634-00	.CLIP, piston pin	2	
11	55Y-11630-20	PISTON ASSY (2ND O/S)	1	AP
12	55Y-11636-00	.PISTON (0.50MM O/S)	1	
13	5X4-11611-20	.RING, piston	1	
14	137-11633-00	.PIN, piston	1	
15	4V2-11634-00	.CLIP, piston pin	2	
16	55Y-11630-30	PISTON ASSY (3RD O/S)	1	AP
17	55Y-11637-00	.PISTON (0.75MM O/S)	1	
18	5X4-11611-30	.RING, piston	1	
19	137-11633-00	.PIN, piston	1	
20	4V2-11634-00	.CLIP, piston pin	2	
21	55Y-11650-00	CONNECTING ROD ASSY	1	AP
22	55Y-11651-00	.ROD, connecting	1	
23	36F-11681-00	.PIN, crank 1	1	
24	90209-22071	.WASHER	2	
25	93310-522M4	.BEARING, cylindrical	1	
26	93310-216L2	.BEARING, cylindrical	1	

INDEX

NUMERICAL INDEX

PART NO.	GRID NO.	PART NO.	GRID NO.	PART NO.	GRID NO.	PART NO.	GRID NO.	PART NO.	GRID NO.	PART NO.	GRID NO.
56A-W0041-00	D-11	55Y-11637-00	B- 5	24X-14103-00	B-11	3R3-15128-01	B-14	5X4-18511-00	C- 6	43M-22475-00	C-13
56A-W0046-00	D- 7		E- 3	23X-14104-00	B-11	1G8-15362-00	B-15	5X4-18512-00	C- 6	55Y-23102-MO	C-15
56A-W0047-00	D- 7	55Y-11650-00	E- 3	24X-14106-00	B-11	5X4-15379-01	B-14	5X4-18513-00	C- 6	55Y-23103-MO	C-15
51L-W0048-00	D- 7	55Y-11651-00	B- 5	24X-14107-33	B-11	2K7-15383-00	C- 4	5X5-18531-01	C- 6	43M-23110-LO	C-15
56A-W0057-00	D- 7		E- 3	3R6-14112-20	B-11	24X-15411-00	B-15	5X5-18535-01	C- 6		D- 2
39W-W1132-00	B- 2	36F-11681-00	B- 5	3R6-14112-25	B-11	39W-15421-00	B-15	24X-18540-00	C- 6	43M-23111-LO	C-15
5X4-W1133-00	B- 2		E- 3	3R6-14112-30	B-11	55Y-15431-00	B-15	55Y-21110-00-FH	C- 8		D- 2
39W-W1441-01	B- 9	5X5-11911-01	B- 4	2K6-14115-00	B-11	5X4-15451-00	B-15	39W-21419-00	C- 8	43M-23118-LO	C-15
39W-W2473-10	D- 5	5X5-11912-01	B- 4	431-14131-00	B-11	5X4-15455-00	B-15	55Y-21425-00	C- 8		D- 2
55Y-11111-00	B- 2	55Y-11915-00	B- 2	239-14141-52	B-11	5X4-15618-00	C- 2	55Y-21426-00	C- 8	122-23119-01	C-15
55Y-11181-00	B- 2	5X4-11921-01	B- 4	239-14141-54	B-11	55Y-15620-00	C- 2	5X6-21511-10	C- 9		D- 2
55Y-1131A-00	B- 2	5X4-11922-00	B- 4	239-14141-56	B-11	39W-15621-01	C- 2	4V2-21543-01	C- 9	55Y-23126-MO	C-15
55Y-1131E-00	B- 2	5X4-11931-00	B- 4	193-14142-55	B-11	3R3-15641-00	C- 2	39W-21611-10	C- 9		D- 2
5X4-1131N-00	B- 2	5X5-11937-00	B- 2	193-14142-60	B-11	3R3-15651-01	C- 2	39W-21629-00	C- 9	4V4-23125-LO	C-15
55Y-11311-00	B- 2	5X4-11952-00	B- 4	193-14142-65	B-11	248-15654-00	C- 2	39W-21642-00	C- 9		D- 2
24X-11351-00	B- 2	24X-11953-00	B- 4	137-14143-48	B-11	39W-15660-00	C- 2	39W-21711-11-98	C-10	55Y-23126-MO	C-15
55Y-11400-00	B- 5	24X-11990-00	B- 4	137-14143-50	B-11	3R3-15666-00	C- 2	24X-2172A-01	C-10	122-23129-00	C-15
55Y-11412-00	B- 5	24X-11992-00	B- 3	137-14143-52	B-11	24X-16111-00	C- 3	39W-21721-11-98	C-10		D- 2
55Y-11422-00	B- 5	5X4-11993-00	B- 3	313-14146-00	B-12	39W-16150-00	C- 3	39W-21731-10	C-10	55Y-23136-MO	C-15
5X4-11611-00	B- 5	5X4-11995-00	B- 3	483-14146-00	B-11	24X-16321-00	C- 3	39W-21737-10	B- 9	43M-23141-LO	C-15
	E- 3	39W-1240A-01	B- 7	2K6-14147-00	B-12	24X-16324-00	C- 3		C-10		D- 2
5X4-11611-10	B- 5	24X-12422-00	B- 6	55Y-14153-00	B-11	24X-16351-00	C- 3	55Y-2174F-00	C-10	43M-23141-10	E- 2
	E- 3	24X-12428-01	B- 6	1W1-14175-01	B-12	1W1-16356-01	C- 3	39W-21741-11	C-10	43M-23141-20	E- 2
5X4-11611-20	B- 5	24X-12436-00	B- 6	483-14184-00	B-11	353-16357-00	C- 3	22W-21791-00	C-10	4V4-23142-LO	C-15
	E- 3	55Y-1244E-00	B- 8	310-14185-00	B-11	1W1-16358-00	C- 3	55Y-22110-00	C-11		D- 2
5X4-11611-30	B- 5	24X-12450-00	B- 6	537-14186-00	B-11	24X-16371-00	C- 3	156-22127-00	C-11	23X-23144-LO	C-15
	E- 3	24X-12459-00	B- 6	310-14187-00	B-12	55Y-16380-00	C- 3	2K6-22128-01	C-11		D- 2
55Y-11630-00	E- 3	39W-12460-01	B- 7	493-14196-00	B-11	5X4-17121-02	C- 4	23X-22129-00	C-12	23X-23145-LO	C-15
55Y-11630-10	E- 3	22W-12462-00	B- 7	310-14197-00	B-11	5X4-17131-03	C- 4	5X4-22141-01	C-11		D- 2
55Y-11630-20	E- 3	24X-12465-00	C-10	43M-14412-00	B- 9	5X4-17151-01	C- 4	39W-22151-00	C-11	4V4-23146-LO	C-15
55Y-11630-30	E- 3	24Y-12469-00	B- 7	39W-14451-00	B- 9	5X4-17161-01	C- 4	39W-2217A-00	C-11		D- 2
55Y-11631-00-94	B- 5	39W-12476-00	B- 7	39W-14452-00	B- 9	5X4-17211-01	C- 4	39W-2217F-00	C-12	3J2-23147-00	C-15
	E- 3	39W-12477-00	B- 7	55Y-14453-00	B- 9	5X4-17221-02	C- 4	22W-22178-01	C- 8		D- 2
55Y-11631-00-95	B- 5	39W-1248A-00	B- 7	39K-14457-00	B- 9	5X4-17231-02	C- 4	5X3-2218A-00	C-12	55Y-23152-MO	C-15
137-11633-00	B- 5	39W-12481-00	B- 7	39W-14458-00	B- 9	24X-17241-00	C- 4	4V4-22184-00	C- 8		D- 2
	E- 3	39W-12482-00	B- 7	55Y-14459-00	B- 9	24X-17251-00	C- 4	39W-22199-00	C-11	4V4-23153-LO	C-15
	E- 3	39W-12483-00	B- 7	39W-14462-00	B- 9	24X-17261-00	C- 4	55Y-22201-10	C-13		C-15
	E- 3	39W-12484-00	B- 7	39W-14467-00	B- 9	24X-17411-00	C- 4	55Y-22210-10-6W	C-13	4V4-23157-LO	C-15
	E- 3	39W-12485-00	B- 7	55Y-14468-00	B- 9	137-17417-00-05	C- 2	43M-22212-00-6W	E- 2		D- 2
4V2-11634-00	B- 5	55Y-12498-00	B- 8	55Y-14610-00	B-13	5X4-17421-00	C- 4	43M-22212-10-6W	C-13	23X-23158-LO	C-15
	E- 3	353-13115-01	B-14	3R3-14613-00	B-13	1G8-17461-10	C- 5	55Y-22212-00-6W	E- 2		D- 2
	E- 3	55Y-13565-00	B- 9	39W-1469A-00	B-13	1G8-17461-20	C- 5	43M-22214-00	C-13	56A-2316A-MO	C-15
	E- 3	55Y-13610-00	B- 9	39W-14753-01	B-13	1G8-17461-30	C- 5	43M-22216-00	C-13		D- 2
	E- 3	55Y-13613-00	B- 9	24X-14771-00	B-13	3R3-17471-00	C- 4	43M-22226-00	C-13	43M-23167-LO	D- 2
55Y-11635-00	B- 5	55Y-13616-00	B- 9	24X-1490J-00	B-12	24X-18101-00	C- 7	56A-22261-00	C-13	55Y-23170-MO	C-15
	E- 3	39W-13621-00	B- 9	24X-15111-00	B-14	24X-18110-01	C- 7	24X-22262-00	C-13		D- 2
55Y-11636-00	B- 5	43G-1410A-00	B-12	4V4-15118-00	B-14	3R3-18140-00	C- 6	43M-22274-00	C-13	4V4-23171-LO	C-15
	E- 3	55Y-14101-00	B-11	55Y-15121-00	B-14	1W1-18177-00	C- 6	55Y-22463-10	C-13		D- 2

NUMERICAL INDEX

PART NO.	GRID NO.	PART NO.	GRID NO.	PART NO.	GRID NO.	PART NO.	GRID NO.	PART NO.	GRID NO.	PART NO.	GRID NO.
23X-23173-L0	C-15	275-25327-00	D- 9	1M1-82370-21	D-15	90170-14171	C- 3	90201-087F0	D- 5	90380-22111	C-11
	D- 2	39W-25330-00	D- 8	5X1-82519-00	D-15	90175-06016	D-12	90201-08730	D-12	90387-060A7	B- 7
4V4-23188-L0	C-15	24X-25351-00	D- 8	688-82535-00	D-10	90176-08026	B- 2	90201-08753	C- 8	90387-06387	D- 4
	D- 2	5X4-25355-00	D- 8	7F6-82591-00	C- 8	90179-08246	B- 2	90201-100E9	C-12	90387-06681	C- 9
34K-2319U-00	C-14	24X-25367-00	D- 9		D-15	90179-08401	D-10		C-13	90387-07392	B- 7
23X-23190-L0	C-15	39W-25371-00	D- 9	38V-82911-00	D-14	90179-10257	D-13	90201-10118	D-11	90387-081A3	B-13
	D- 2	24X-25381-00	D- 9	38V-82913-00	D-14	90179-12373	C- 3	90201-10119	D-12	90387-083F0	D- 9
43M-23191-L0	D- 2	39W-25388-00	D- 9	23X-83912-00	D-14	90179-16226	C- 5	90201-10138	B- 6	90387-102F3	B- 2
43M-23192-L0	D- 2	39W-25394-00	D- 8	55Y-83922-00	D-14	90179-22330	C-14	90201-10430	C-12	90387-121H1	C-12
43M-23340-L0-39	D- 3	39W-25444-00	D- 8	256-83936-00	D-15	90179-25033	C-14		C-13	90387-147G6	C-11
3R4-23389-00	C-14	39W-25445-00	D- 8	437-83936-00	D-14	90185-08089	D- 8	90201-120A5	C-11	90387-147G7	C-11
5Y3-23393-00	D- 2	39W-25446-00	D- 8	23X-83976-00	D-14	90185-08106	C-11	90201-120E6	C-12	90387-152F2	B- 4
1W1-23416-00	C-14	39W-25448-00	D- 8	55Y-85510-11	D-13	90185-08113	C- 8		C-13	90387-15535	D- 6
39W-23435-00-98	C-14	39W-25450-00	D- 8	55Y-85520-10	D-13		C- 8	90201-14217	C- 3	90387-157L9	D- 6
1E6-23441-00	C-14	39W-25452-00	D- 8	55Y-85540-10	D-15		D- 9	90201-14222	C-11	90387-16781	B-14
24X-23485-10	C-14	56A-25810-00	D- 7	247-85546-00	D-15	90185-10120	C-12	90201-151A7	B- 4	90387-170H9	D- 8
43M-23489-L0	D- 3	56A-25831-00	D- 7	55Y-85550-10	D-13		C-13		B- 4	90387-202A0	C- 5
39W-24110-10	D- 4	34X-25845-00	D- 7	2K7-85555-00	C- 8		C-13	90201-154F5	B- 4	90387-202F0	C- 3
5X6-2412F-00	D- 4	56A-25852-00	D-11	90101-06291	D- 8	90185-12119	C-11	90201-154F6	B- 4	90387-210H8	D- 8
24X-24144-00	D- 4	56A-25854-00	D-11	90101-06478	D-12	90185-16103	D- 9	90201-15701	C- 4	90401-10034	D-11
3R3-24173-00	D- 4	56A-25867-00	D-11	90101-08475	D- 9	90185-16127	C-11	90201-160F6	C-11	90430-06016	B-15
22W-24181-00	B- 7	56A-25870-00	D-11	90102-08034	D- 9	90201-05029	C-10	90201-171G6	C- 3	90430-06166	B- 6
	C-10	56A-25872-00	D-11	90105-08326	C- 8		C-10		C- 3	90430-06192	B- 2
39W-24181-00	D- 4	56A-25919-00	D- 7	90109-06576	D-14	90201-057H5	B- 4	90201-20266	C- 4	90430-12038	B-14
3G2-24182-00	C- 8	56A-25919-10	D- 7	90109-06577	D-14	90201-06052	C- 9	90201-22555	C- 4	90445-08376	B-14
583-24182-00	C- 8	56A-25926-00	D- 7	90109-06757	D- 7	90201-06067	B-15	90201-22680	C-11	90445-09300	D- 4
5X5-24184-00	C- 8	56A-25937-00	D- 7	90109-08370	D- 9		C-11	90202-06010	D- 4	90445-11152	D- 4
55Y-24250-10	D- 4	23X-26111-00	D-10	90109-08397	D- 3	90201-06070	D- 4	90202-08022	C- 8	90446-09079	B- 7
2K5-24500-00	D- 4	4V4-26241-01	D-10	90109-08512	B-13	90201-061A5	B- 7	90209-16246	D- 9	90460-15227	B- 7
1A0-24512-00	D- 4	4V4-26242-01	D-10	90109-08706	D- 8		B- 7	90209-16255	C- 4	90460-22252	B- 7
214-24512-00	D- 4	23X-26243-00	D-10	90109-10700	C-13		B- 9	90209-17245	D- 9	90460-31253	B- 7
619-24535-00	D- 4	5X2-2628H-01	D-10	90109-10702	C-12		B-10	90209-18135	C- 4	90460-51109	B- 9
5X7-24611-01	D- 4	23X-26281-00	D-10	90109-10703	C-12		D- 4	90209-22071	B- 5	90460-68199	B- 9
5X7-24612-00	D- 4	431-26282-01-98	D-10	90109-10704	C-13		D-10		E- 3	90462-05005	B- 9
509-24724-00	D- 5	24X-26311-00	D-10	90109-12701	C-11		D-13	90214-09019	C- 8	90465-13275	D-10
	D- 5	510-26329-00	D-10	90116-08318	B- 2	90201-06570	B- 7	90215-14204	C- 3	90465-16258	D-10
24X-24731-10	D- 5	39W-26335-00	D-10	90116-08392	B- 2		B- 7	90215-16127	C- 5	90467-09006	B- 7
39W-24738-00	D- 5	382-26372-01	D-10	90116-08394	B- 2	90201-06571	C- 9	90240-06103	D-12	90467-10008	D- 4
5X6-24748-10	D- 5	56A-26372-00	D-11	90116-08409	B- 2		C-10	90240-10101	D-12	90468-26048	C- 2
56A-25104-00	D- 6	55Y-27200-00	D-12	90119-06042	C- 9		C-10	90240-12090	C- 2	90480-15064	B- 7
56A-25111-00-98	D- 6	39W-27231-00	D-12	90119-06063	C- 9		C-14	90249-12008	D-12	90480-18276	B- 7
322-25118-00	D- 6	39W-27311-00	D-12	90119-06073	D- 4	90201-08087	B- 2	90250-06013	C- 6	90480-18354	D- 4
3R4-25181-01	D- 6	23X-27411-01	D-12	90123-08090	D-10	90201-081A6	D- 8	90267-40115	B-13	90480-22269	B-13
4V5-25194-00	D- 6	23X-27421-02	D-12	90149-06011	D- 4	90201-081G0	B- 6	90280-03017	B- 5	90480-25381	C-13
5R2-25197-00	D- 7	39W-28100-01	C- 8	90149-06153	D-14	90201-08114	B-13	90282-05053	B- 5	90501-10245	D-12
55Y-25304-00	D- 8	2X4-2811A-00	C- 8	90159-05011	C- 3		C- 8	90340-12059	B-14	90501-10312	D-14
55Y-25311-00-98	D- 8	1W1-28135-10	C- 8	90159-05100	C-10	90201-082A9	D-14	90380-15104	B- 4	90501-12081	C- 2
24X-25321-00-98	D- 8	24X-82310-10	D-15	90170-06010	D-14	90201-08544	D- 3	90380-16077	C-11	90501-20361	C- 3

M2

NUMERICAL INDEX

PART NO.	GRID NO.	PART NO.	GRID NO.	PART NO.	GRID NO.	PART NO.	GRID NO.	PART NO.	GRID NO.	PART NO.	GRID NO.
90501-30742	B- 4	92901-05100	C-10	93306-20310	D- 8	95301-05800	C-10	98506-05018	D-14		
90504-03033	B- 9	92901-05200	B- 9	93306-20316	D- 8	95301-06700	D-12	98506-05025	B- 3		
90506-17328	D- 8	92901-05600	B- 4	93306-20529	B- 5	95301-08700	D- 9	98606-04012	D-10		
90506-18373	D-12		D-13	93306-30303	C- 4	95311-08600	D- 3	98706-04012	D-11		
90507-20030	B-13	92901-06100	B-10	93306-30411	C- 4	95601-05100	B- 4	98902-06018	D- 4		
90508-14426	C- 3		C- 9	93306-30421	B- 5		B- 9	99009-30400	C- 2		
90508-20583	D-12		C-10	93310-216L2	B- 5	95601-06100	C- 9				
90508-26427	C- 2		C-10		E- 3	95606-06100	D-14				
90508-26435	C- 6		D- 2	93310-522M4	B- 5		D-14				
90508-29361	C- 7		D- 4		E- 3	95611-10100	C-12				
90560-08213	B- 4		D- 4	93311-31515	C- 4	95702-10500	C- 2				
90560-11189	C- 7		D- 5	93311-41530	C- 4	95801-06012	D- 5				
90560-15227	D- 6	92901-06200	B-15	93315-21429	C- 3	95801-06020	C-11				
90560-17231	D- 8		D-12	93315-31732	C-12	95801-08012	D-12				
90560-17232	C- 3	92901-06700	C- 9	93317-32034	C-11	95802-08012	C- 8				
91311-06016	D-10	92901-08100	C-10	93317-32231	C-11	95802-08045	C-11				
91316-04006	B- 4		D- 3	93332-00008	C-14	95811-08040	C- 8				
91316-06035	B-14		D- 5	93332-00023	C-14		D- 7				
91316-06040	B-14	92901-08200	C-10	93399-99910	D- 9	95811-08055	C- 8				
91316-06050	B-14	92901-08600	D- 9	93410-17037	C- 2	95811-08065	C- 8				
91401-20015	D- 9	92906-05100	D-14	93410-20038	C- 4	95811-08095	C- 8				
	D-12	92906-06600	B- 9	93410-22039	C- 4	95821-08035	C-14				
91401-25020	D-12		B-15	93430-08006	B- 6	95821-08040	C-14				
91401-40020	C- 2		D-11	93430-10016	C- 7	95826-06010	B- 2				
91810-03014	B- 2	92990-05100	D-13	93440-15012	C- 2	95826-06020	B- 6				
	B- 2	93101-17062	C- 2		C- 4	97301-06012	B-10				
91830-21014	B-14	93102-14308	C- 3	93503-16010	C- 3	97301-06016	C- 9				
	B-15	93102-25258	B- 5	93507-32009	C- 2		D- 4				
92501-06010	B-14	93102-26042	C- 4	93521-64032	B- 4	97301-06020	B- 9				
92501-06012	D- 4	93103-12119	B- 6	93603-13185	B- 4		C- 9				
	D- 5	93103-28126	B- 5	93603-14179	B- 4	97301-06030	B- 7				
92501-06014	B-15	93104-08040	B- 4	93604-10011	B- 6		B- 7				
	C-10	93104-16074	B- 2	93604-16092	C- 3	97301-08016	C-10				
	C-10	93106-20021	D- 6	93608-25150	C- 7		D- 5				
92501-06020	B-15	93106-22019	C-11	93700-06004	C-11	97321-06012	C- 4				
	D-13	93106-25022	D- 8		C-12	97321-06025	C- 7				
92501-08010	B-14	93108-35004	C-11	93700-06005	C-12	97326-06025	D-11				
92502-06016	D-15	93109-12012	C- 7	94109-21264	D- 6	97501-06116	B-13				
92506-06008	B-15	93109-20029	C-11	94112-18267	D- 8	97602-03108	B- 9				
92506-06016	B- 9	93112-19006	D- 9	94209-21229	D- 6	97801-06012	C-14				
92506-06020	B- 6	93210-09192	B- 2	94212-18230	D- 8	98501-05016	B-11				
92506-06025	B-15	93210-14104	B-15	94330-18087	D- 8	98501-05030	C-10				
	B-15	93210-14167	D- 9	94330-21084	D- 6	98502-05030	D-13				
92506-06045	B-15	93210-27244	B- 2	94416-21412	D- 6	98506-04018	D- 2				
92506-06055	B-15	93210-31114	D- 9	94418-18413	D- 8	98506-05010	B- 3				
92701-06012	C- 5	93300-60801	B- 4	94585-20114	D- 9	98506-05012	B- 2				
92900-06200	C- 3	93306-00106	C- 6	94685-20001	D- 9	98506-05016	D-10				
92901-05100	B-11	93306-20205	D- 6	95300-06600	C- 3	98506-05018	B- 3				