

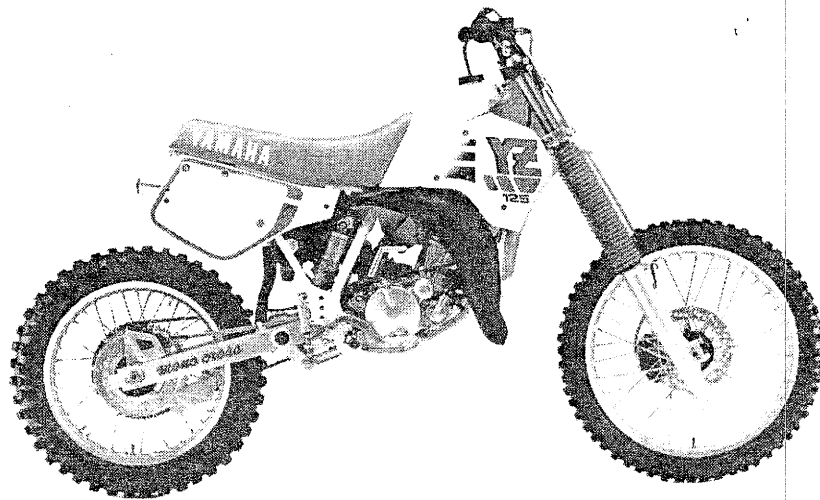
YAMAHA

PARTS CATALOGUE

YZ125U (2VN)

282VN-700E1

A2



A3

FOREWORD

This Parts Catalogue is related to the parts in use for the Yamaha YZ125U(2VN).
When you are ordering replacement parts for the YZ125U(2VN), refer to this Parts Catalogue and quote both part numbers and part names correctly.

1. Modifications or additions which have been made after issue of the Parts Catalogue will be announced in the Yamaha Parts News.
It is advisable that according to the Yamaha Parts News you make necessary corrections to the Parts Catalogue on hand to keep it up-to-date.

2. Abbreviations

The following abbreviations are used in this Parts Catalogue.

- U.R. Use size (thickness) and/or number as required.
- U.N. Use as many as you need.
- A.P. Alternate Parts
- L.M. Local Made
- F# Frame No. (Applicable machine No.)

3. The parts marked with (*) in the parts number column of this Catalogue are not supplied with by Yamaha, those have to be found locally.
4. Parts, which are to be supplied in the form of assemblies, are listed with an indention of one letter's space, and a dot (.) is put against the name of each part.

EXAMPLE CARBURETOR ASS'Y
 . JET, pilot
 . NOZZLE, main

5. Indication of No. of constituent parts for assembly

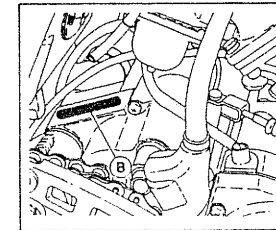
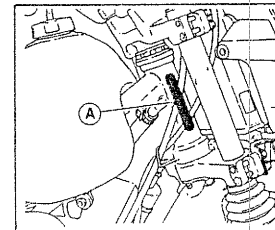
The numeral appearing to the right of each constituent part under the description indicates the quantity of such parts for each individual assembly unit.

EXAMPLE

Part No.	Description	Q'ty	Remarks
2F5-83310-60	FRONT FLASHER LIGHT ASS'Y	2	
115-83311-60	. BULB (6V-18W)	1	
1M1-83309-60	. REFLECTOR	1	

6. Initial Serial No. and Color Code

(A) Frame Serial No.	2VN-000101 and following
(B) Engine Serial No.	2VN-000101 and following



Color Code	Color Name	Abbreviate
36	CLEAN WHITE	W

7. Applicable colors of graphics are represented in the "Remarks" column by the letter(s) appropriately picked out of the full word(s) showing such colors.

EXAMPLE

Part No.	Description	Q'ty	Remarks
2N4-24110-00-X5	FUEL TANK COMP.	1	MAXIM RED
3J1-24240-10	. GRAPHIC, fuel tank set	1	for MXR

CONTENTS

ENGINE

Cylinder	B2 ~ B3
Governor	B4
Crankshaft. Piston	B5
Water Pump	B6
Radiator. Hose	B7
Intake	B8
Carburetor	B9 ~ B10
Exhaust	B11
Crankcase	B12
Crankcase Cover 1	B13
Starter	B14
Clutch	B15
Transmission	C2 ~ C3
Shift Cam. Fork	C4
Shift Shaft	C5

CHASSIS

Frame	C6
Fender	C7
Side Cover	C8 ~ C9
Rear Arm	C10 ~ C11
Rear Suspension	C12
Steering	C13
Front Fork	C14 ~ D2
Fuel Tank	D3 ~ D4
Seat	D5
Front Wheel	D6
Front Brake Caliper	D7
Rear Wheel	D8 ~ D9

Rear Brake Caliper	D10
Steering Handle. Cable	D11
Front Master Cylinder	D12
Stand. Footrest	D13
Rear Master Cylinder	D14
Generator	D15
Handle Switch. Lever	E2
Electrical 1	E3

ALTERNATE PARTS

Alternate 1 (Chassis)	E4
-----------------------------	----

REPAIR KIT

Repair Kit	E5
------------------	----

INDEX

Numerical Index	M1 ~ M3
-----------------------	---------

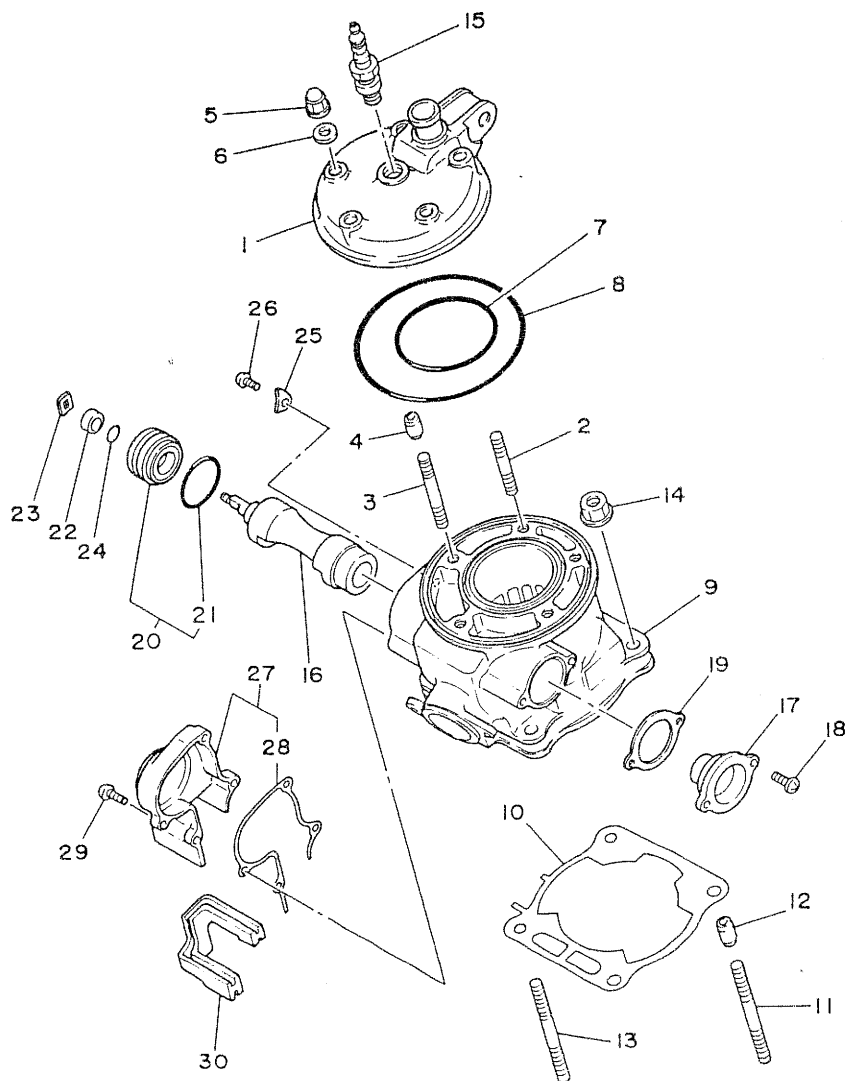


FIG. 1 CYLINDER

REF. NO.	PART NO.	DESCRIPTION	Q'TY	REMARKS
1	2VN-11111-00	HEAD, cylinder 1	1	
2	90116-08394	BOLT, stud	3	
3	90116-08392	BOLT, stud	2	
4	99510-10114	PIN, dowel	2	
5	90176-08026	NUT, crown	5	
6	90201-08087	WASHER, plate	5	
7	93210-65721	O-RING	1	
8	93211-07720	O-RING	1	
9	2VN-11311-00	CYLINDER 1	1	
10	1LX-11351-00	GASKET, cylinder	1	
11	90116-08388	BOLT, stud	2	
12	99510-10114	PIN, dowel	2	
13	90116-08318	BOLT, stud	2	
14	90179-08491	NUT	4	
15	94703-00325	PLUG, spark (NGK B9EG)	1	UR
	94701-00324	PLUG, spark (NGK BR9EG)	1	UR FOR S.AFRICA
16	2VN-1131A-01	VALVE 1	1	
17	39W-W1132-00	HOLDER 1	1	
18	98506-05012	SCREW, pan head	2	
19	5X4-1131N-00	GASKET, holder	1	
20	2VN-Y113F-00	HOLDER 2 ASSY	1	
21	93210-27244	O-RING	1	
22	90387-102F3	COLLAR	1	
23	5X5-11937-00	BOSS, lever	1	
24	93210-09192	O-RING	1	
25	47X-11915-00	PLATE, thrust 1	1	
26	98506-05008	SCREW, pan head	1	
27	2VN-11992-00	HOUSING 2	1	

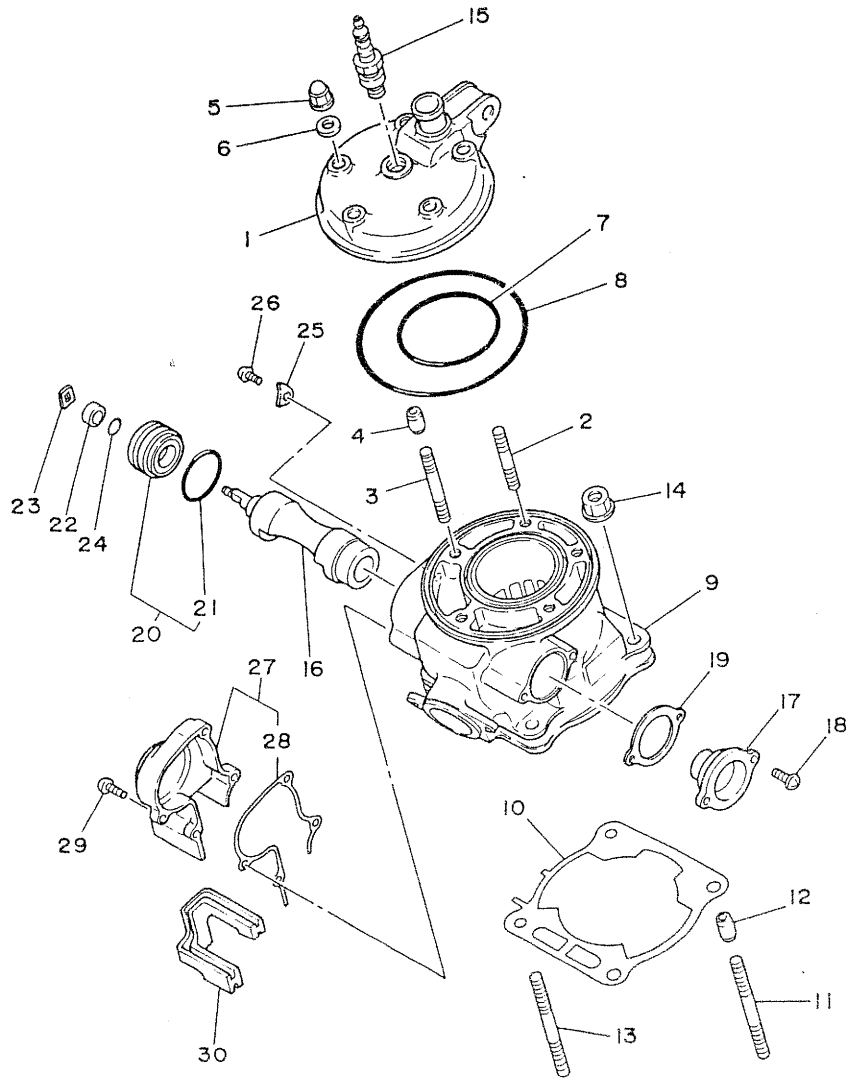
FWD

2VN100-8010

B2

FIG. 1 CYLINDER

REF. NO.	PART NO.	DESCRIPTION	Q'TY	REMARKS
28	2VN-11993-00	.GASKET	1	
29	98506-05014	SCREW, pan head	4	
30	1LX-11995-00	SEAL, housing	1	



2VN100-8010

B3

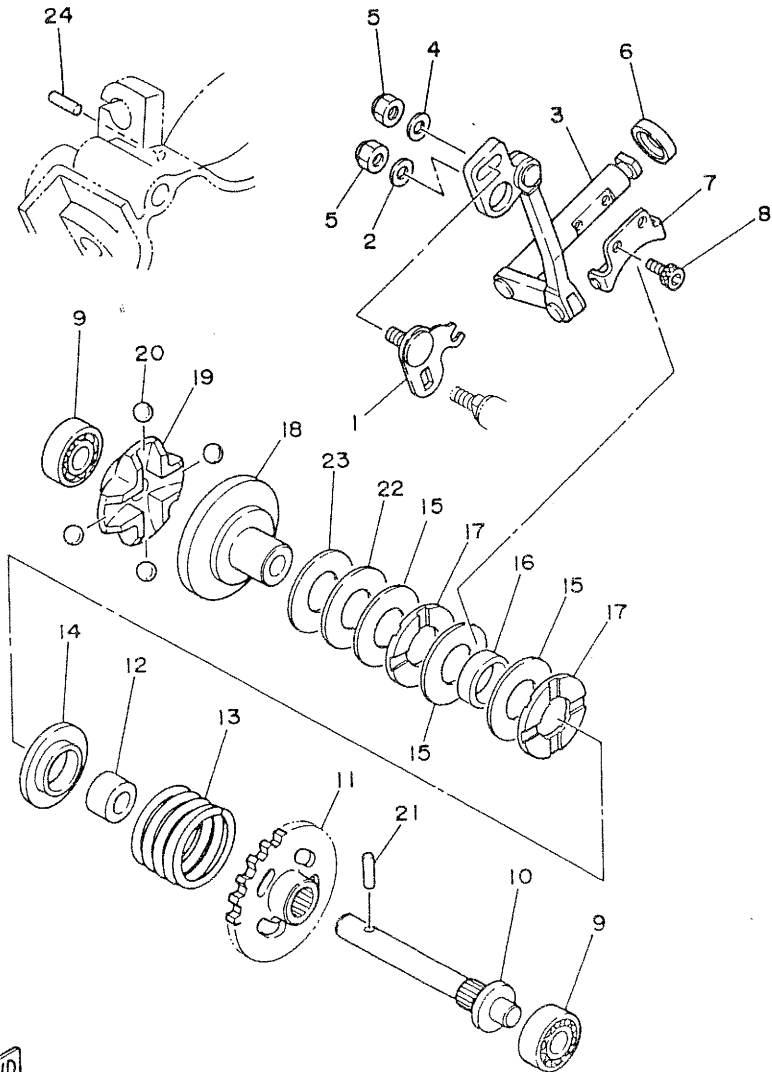


FIG. 2 GOVERNOR

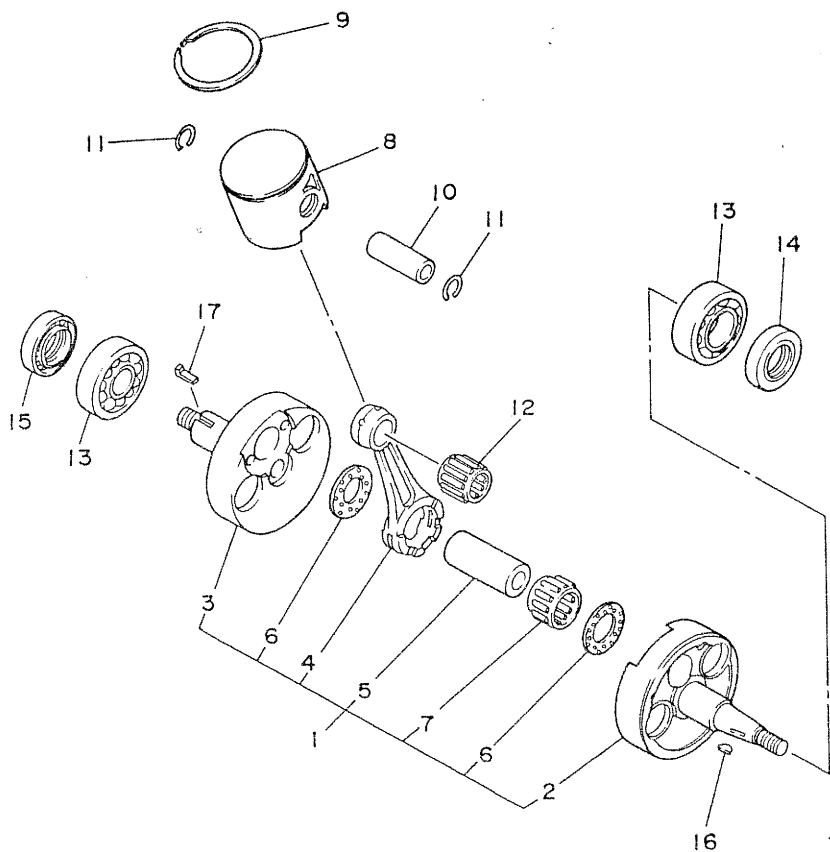
REF. NO.	PART NO.	DESCRIPTION	Q'TY	REMARKS
1	1LX-11931-00	LEVER	1	
2	90201-057K1	WASHER, plate	1	
3	2VN-11990-00	PUSH ROD ASSY	1	
4	92901-05600	WASHER, plate	1	
5	95601-05100	NUT, u	2	
6	93104-08040	OIL SEAL	1	
7	5X4-11922-00	FORK, governor	1	
8	91316-04006	BOLT	2	
9	93300-60814	BEARING (608M4ML01)	2	NMB
10	5X4-11921-02	SHAFT, governor	1	
11	24X-11953-01	GEAR, governor	1	
12	90560-08213	SPACER	1	
13	90501-240E7	SPRING, compression	1	
14	5X4-11952-00	PLATE	1	
15	90201-154E9	WASHER, plate	2	
16	90387-152F2	COLLAR	1	
17	90380-15104	BUSH, solid	2	
18	5X5-11912-01	RETAINER, weight	1	
19	5X5-11911-01	RETAINER	1	
20	93521-64032	BALL	4	
21	93603-14179	PIN, dowel	1	
22	90201-154E9	WASHER, plate	1	UR
	90201-154F5	WASHER, plate (T=0.8)	1	UR
	90201-154F6	WASHER, plate (T=0.2)	1	UN
23	90201-154F6	WASHER, plate (T=0.2)	1	UN
24	93603-13185	PIN, dowel	1	

FWD

1LX010-6020

B4

FIG. 3 CRANKSHAFT. PISTON



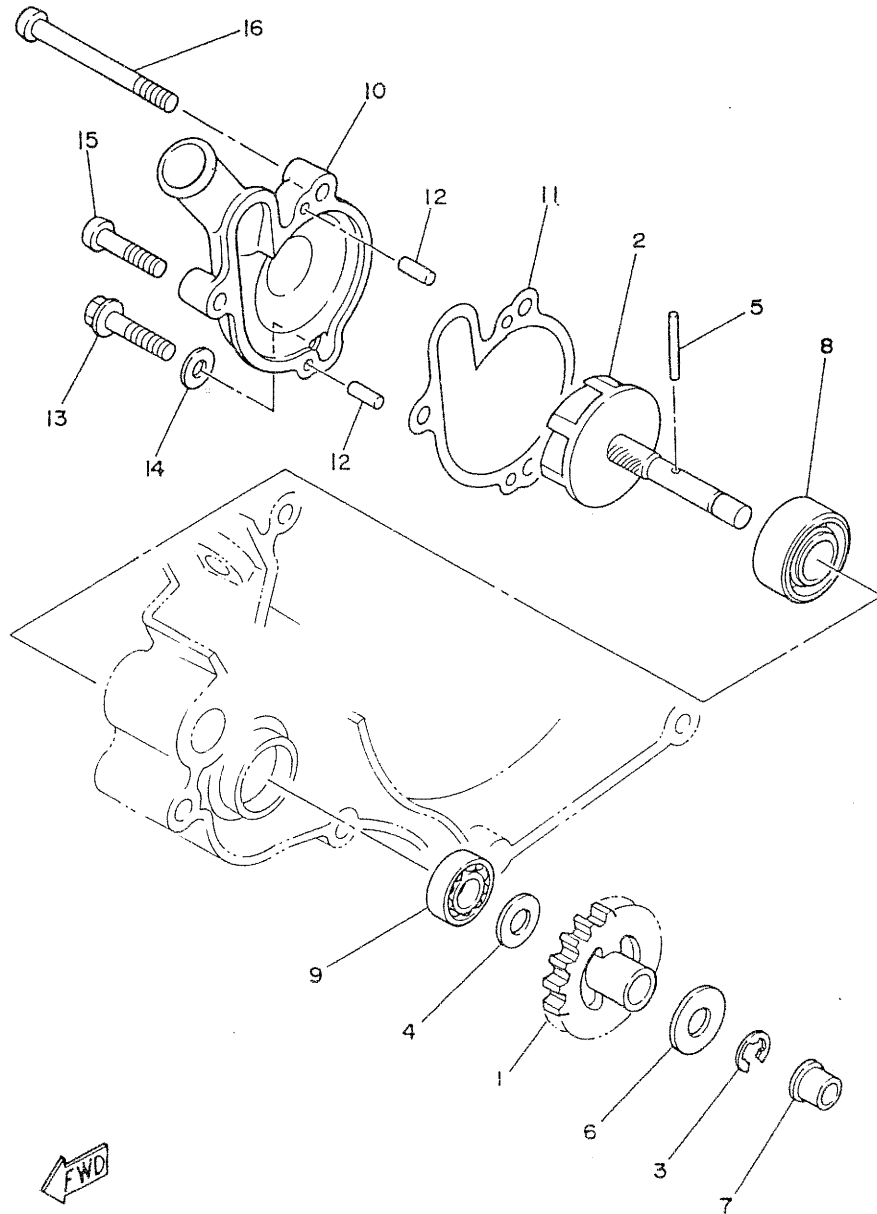
REF. NO.	PART NO.	DESCRIPTION	Q'TY	REMARKS
1	2HG-11400-00	CRANKSHAFT ASSY	1	
2	2HG-11412-00	.CRANK 1	1	
3	2HG-11422-00	.CRANK 2	1	
4	2HG-11651-00	.ROD, connecting	1	
5	36F-11681-00	.PIN, crank 1	1	
6	90209-22292	.WASHER	2	
7	93310-522M4	.BEARING, cylindrical	1	
8	1LX-11631-00-94	PISTON (STD)	1	UR
	1LX-11631-00-95	PISTON (STD)	1	UR
	1LX-11635-00	PISTON (0.25MM O/S)	1	AP
	1LX-11636-00	PISTON (0.50MM O/S)	1	AP
	1LX-11637-00	PISTON (0.75MM O/S)	1	AP
9	5X4-11611-00	RING, piston (STD)	1	
	5X4-11611-10	RING, piston (0.25MM O/S)	1	AP
	5X4-11611-20	RING, piston (0.50MM O/S)	1	AP
	5X4-11611-30	RING, piston (0.75MM O/S)	1	AP
10	137-11633-00	PIN, piston	1	
11	4V2-11634-00	CLIP, piston pin	2	
12	93310-216L2	BEARING, cylindrical	1	
13	93306-37204	BEARING (63/22SH2-9TC4)	2	KOYO
14	93102-22363	OIL SEAL	1	
15	93103-32099	OIL SEAL	1	
16	90280-03045	KEY, woodruff	1	
17	90282-05038	KEY, straight	1	



2HG100-7030

B5

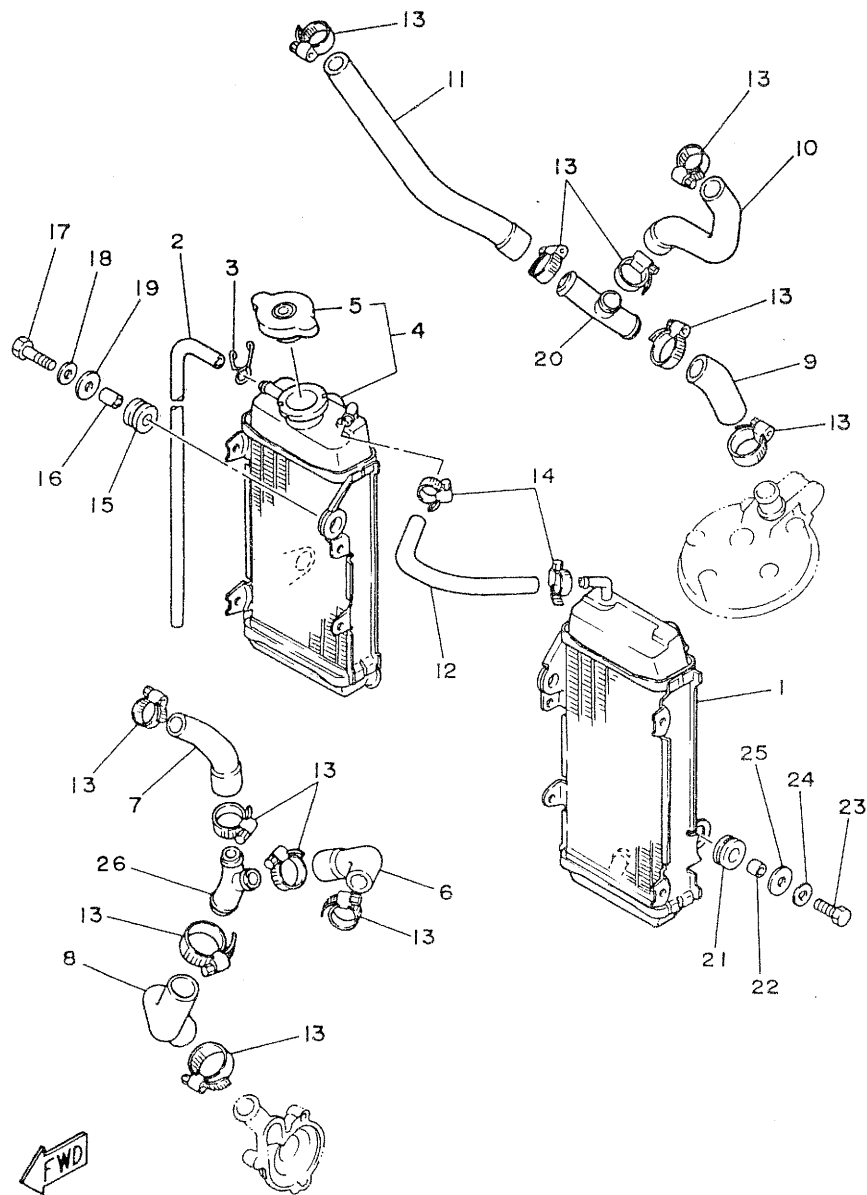
FIG. 4 WATER PUMP



REF. NO.	PART NO.	DESCRIPTION	Q'TY	REMARKS
1	1LX-12459-00	GEAR, impeller shaft	1	
2	1LX-12450-00	IMPELLER SHAFT ASSY	1	
3	99001-07600	CIRCLIP	1	
4	90201-08512	WASHER, plate	1	
5	93603-22028	PIN, dowel	1	
6	90201-08784	WASHER, plate	1	
7	90381-08002	BUSH, solid	1	
8	93103-10147	OIL SEAL	1	
9	93300-60814	BEARING (608M4ML01)	1	NMB
10	2VN-12422-00	COVER, housing	1	
11	1LX-12428-00	GASKET, housing cover 2	1	
12	93604-10011	PIN, dowel	2	
13	95816-06025	BOLT, flange	1	
14	90430-06166	GASKET	1	
15	92506-06025	SCREW, pan head	1	
16	92506-06060	SCREW, pan head	1	

2HG100-7040

B6

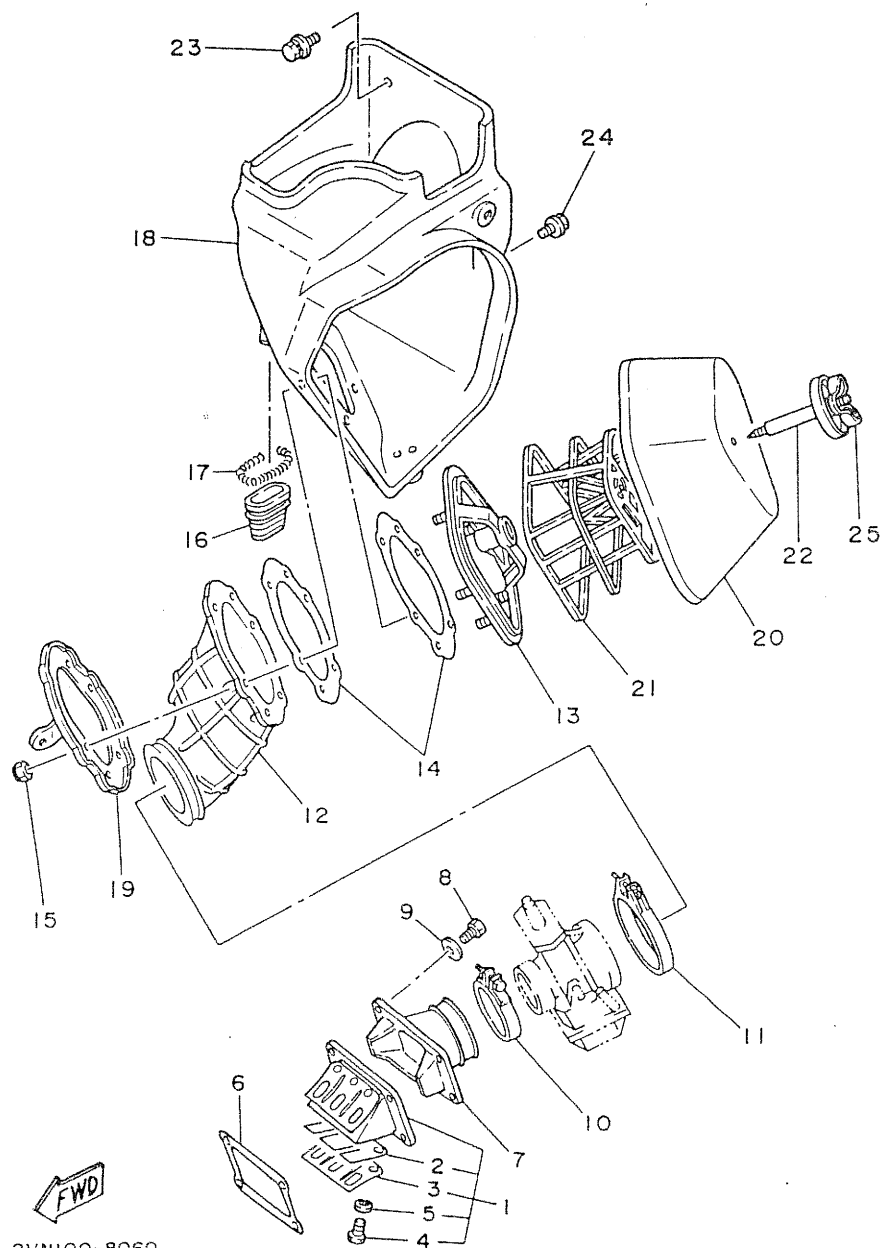


2HG100-7051

FIG. 5 RADIATOR. HOSE

REF. NO.	PART NO.	DESCRIPTION	Q'TY	REMARKS
1	1LX-12460-00	RADIATOR ASSY	1	
2	90446-09079	HOSE	1	
3	90467-09006	CLIP	1	
4	1LX-1240A-00	RADIATOR ASSY 2	1	
5	22W-12462-00	.CAP, radiator	1	
6	1LX-12481-00	PIPE 1	1	
7	1LX-12482-00	PIPE 2	1	
8	1LX-12483-01	PIPE 3	1	
9	1LX-12485-00	PIPE 5	1	
10	1LX-12476-00	PIPE 6	1	
11	1LX-12477-00	PIPE 7	1	
12	1LX-1248A-00	PIPE 8	1	
13	90450-28014	HOSE CLAMP ASSY	12	
14	90460-12268	CLAMP, hose	2	
15	90480-15064	GROMMET	2	
16	90387-07392	COLLAR	2	
17	97001-06030	BOLT	2	
18	92901-06600	WASHER, plate	2	
19	90201-06570	WASHER, plate	2	
20	24X-12469-00	JOINT 1	1	
21	90480-18276	GROMMET	2	
22	90387-07573	COLLAR	2	
23	97001-06020	BOLT	2	
24	92901-06600	WASHER, plate	2	
25	90201-06570	WASHER, plate	2	
26	24Y-12469-00	JOINT 1	1	

B7



2VN100-8060

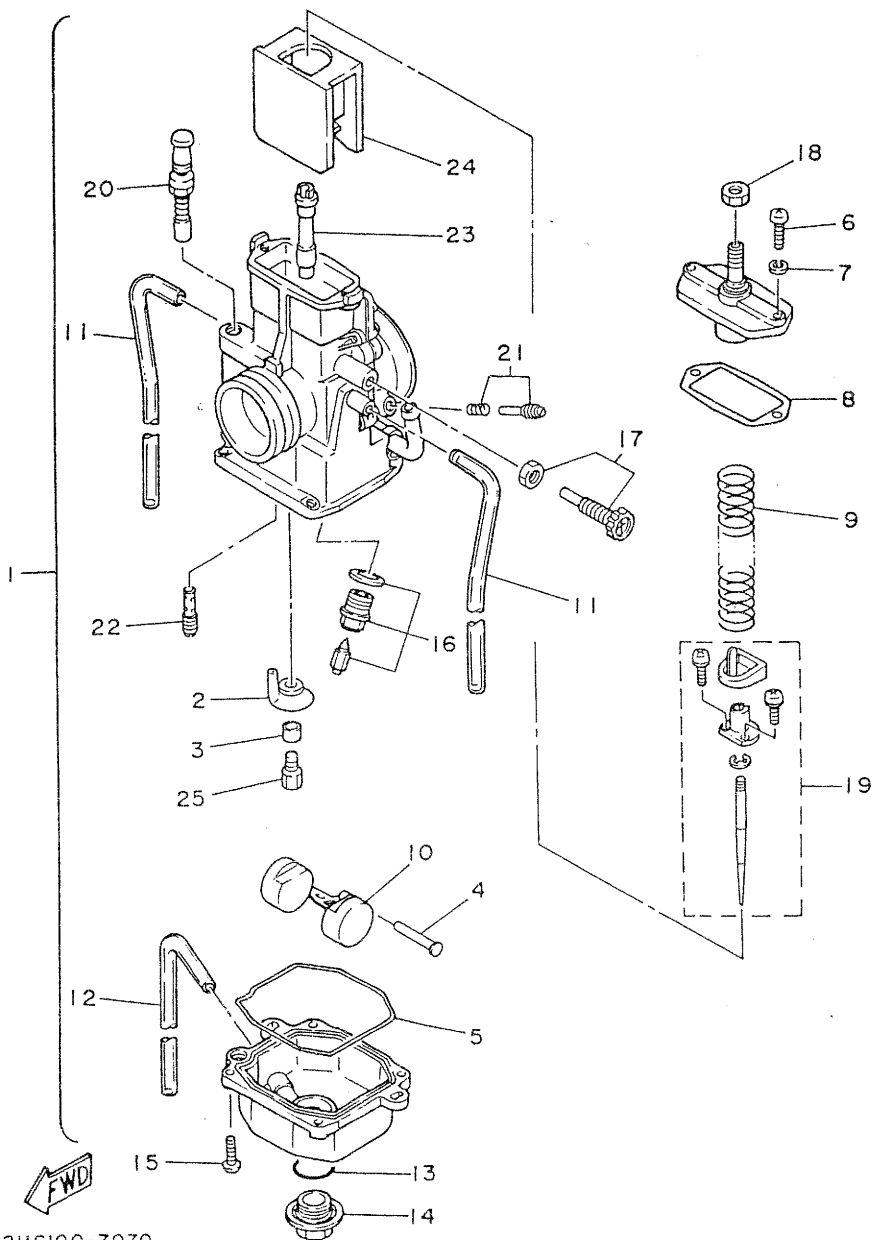
FIG. 6 INTAKE

REF. NO.	PART NO.	DESCRIPTION	Q'TY	REMARKS
1	2VN-13610-00	REED VALVE ASSY	1	
2	1RX-13613-00	.REED, valve	2	
3	2VN-13616-00	.STOPPER, reed valve	2	
4	98501-03008	.SCREW, pan head	6	
5	92990-03100	.WASHER, spring	6	
6	80L-13621-00	GASKET, valve seat	1	
7	2VN-13565-00	JOINT, carburetor	1	
8	97001-06020	BOLT	4	
9	92901-06600	WASHER, plate	4	
10	90460-51109	CLAMP, hose	1	
11	90460-68199	CLAMP, hose	1	
12	2HG-14453-00	JOINT, air cleaner 1	1	
13	56A-14459-00	HOLDER, guide	1	
14	39X-14462-00	SEAL	2	
15	95601-05100	NUT, u	6	
16	39K-14457-00	SEAL	1	
17	90504-03033	SPRING, compression	1	
18	1LU-W1441-00	AIR CLEANER CASE COMP.	1	
19	1LU-14477-00	PLATE	1	
20	2HH-14451-00	ELEMENT, air cleaner	1	
21	2HH-14458-00	GUIDE	1	
22	2HH-14468-00	PLATE, element fitting	1	
23	90119-06081	BOLT, with washer	2	
24	90119-06056	BOLT, with washer	1	
25	90122-06025	BOLT, wing	1	

B8

FIG. 7 CARBURETOR

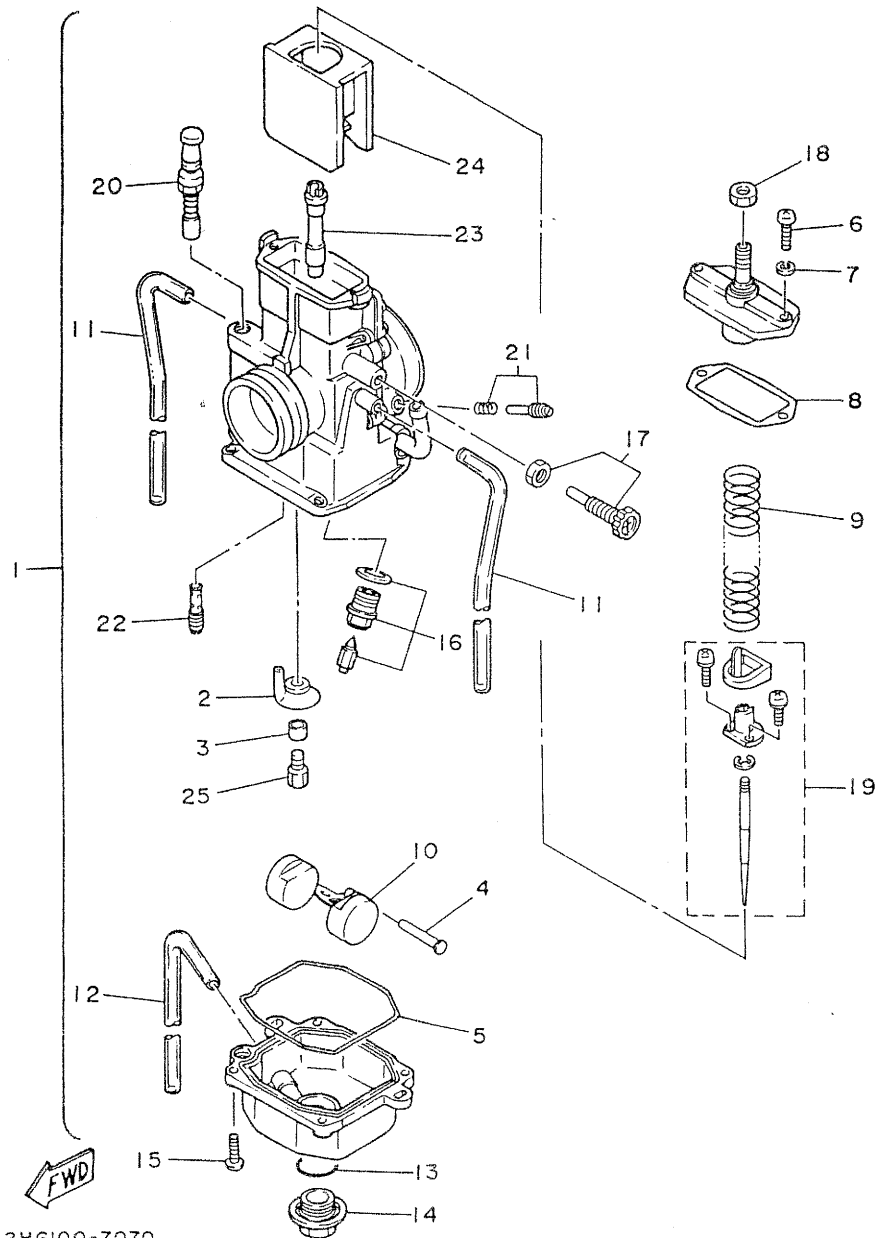
REF. NO.	PART NO.	DESCRIPTION	Q'TY	REMARKS
1	2VN-14101-00	CARBURETOR ASSY 1	1	
2	1LX-14153-10	.WASHER, main jet	1	
3	509-14145-00	.SETTER, needle jet	1	
4	537-14186-00	.PIN, float	1	
5	1LX-14147-00	.O-RING	1	
6	98503-04014	.SCREW, pan head	2	
7	92902-04100	.WASHER, spring	2	
8	1LX-14198-00	.GASKET	1	
9	1LX-14131-00	.SPRING, throttle valve	1	
10	2HG-14185-00	.FLOAT	1	
11	432-14197-00	.PIPE	2	
12	3Y3-14196-00	.PIPE	1	
13	558-14147-00	.O-RING	1	
14	500-14115-00	.PLUG, screw	1	
15	98511-04012	.SCREW, pan head	4	
16	24X-14107-33	.NEEDLE VALVE SET	1	
17	40T-14103-00	.THROTTLE SCREW SET	1	
18	802-14161-00	.NUT, cable adjusting	1	
19	1LX-1490J-00	.NEEDLE SET	1	
20	24X-1410A-00	.STARTER SET	1	
21	1LX-14104-00	.AIR SCREW SET	1	
22	193-14142-50	.JET, pilot (# 50)	1	STD
	193-14142-45	.JET, pilot (# 45)	1	AP
	193-14142-55	.JET, pilot (# 55)	1	AP
23	1LX-14141-52	.NOZZLE, main	1	STD
	1LX-14141-50	.NOZZLE, main (Q-0)	1	AP
	1LX-14141-54	.NOZZLE, main	1	AP
24	1LX-14112-25	.VALVE, throttle 1	1	STD



2HG100-7070

B9

FIG. 7 CARBURETOR



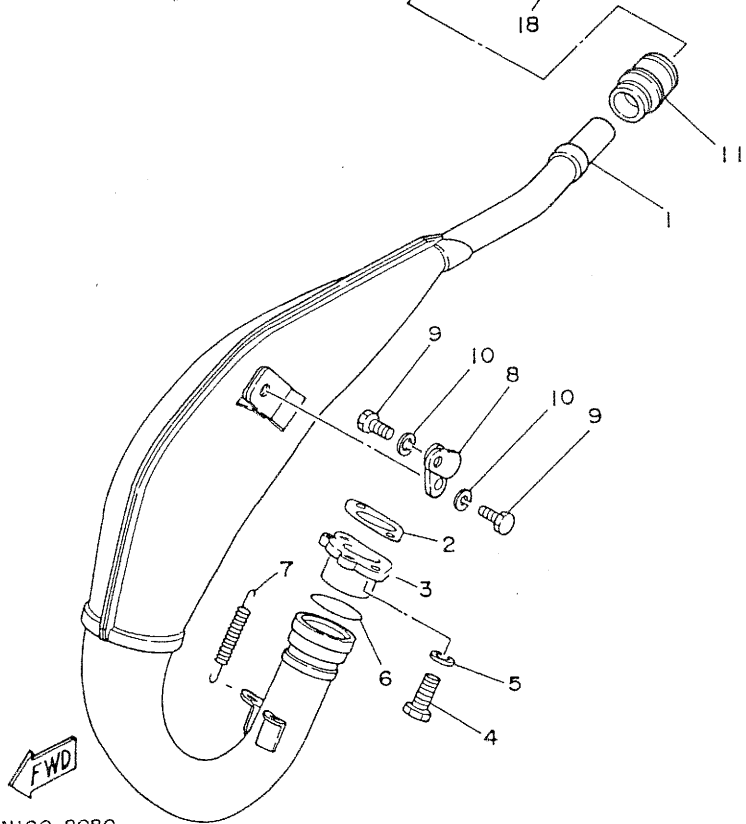
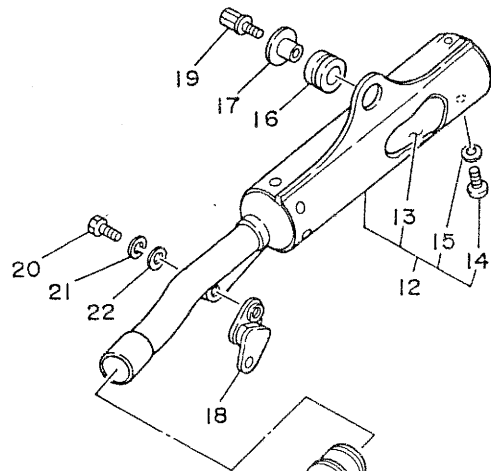
REF. NO.	PART NO.	DESCRIPTION	Q'TY	REMARKS
24	1LX-14112-20	.VALVE, throttle 1	1	AP
	1LX-14112-30	.VALVE, throttle 1	1	AP
25	137-14143-54	.JET, main (#270)	1	STD
	137-14143-50-A0	.JET, main (#250)	1	AP
	137-14143-52	.JET, main (#260)	1	AP
	137-14143-56-A0	.JET, main (#280)	1	AP
	137-14143-58-A1	.JET, main (#290)	1	AP

2HG100-7070

B10

FIG. 8 EXHAUST

REF. NO.	PART NO.	DESCRIPTION	Q'TY	REMARKS
1	2HG-14610-01	EXHAUST PIPE ASSY 1	1	
2	1LX-14613-00	GASKET, exhaust pipe	1	
3	2HG-14614-00	FLANGE, exhaust pipe	1	
4	95021-08020	BOLT, flange	2	
5	92990-08100	WASHER, spring	2	
6	93210-42728	O-RING	1	
7	90507-20030	SPRING, tension	2	
8	24X-14771-00	STAY, muffler 1	1	
9	97313-06016	BOLT	2	
10	92990-06100	WASHER, spring	2	
11	3M7-14615-00	JOINT, exhaust 1	1	
12	2VN-14753-00	SILENCER, exhaust	1	
13	2HG-1469A-00	.FIBER	1	
14	92501-06010	.SCREW, pan head	2	
15	92990-06100	.WASHER, spring	2	
16	39X-14747-00	DAMPER, muffler	1	
17	90387-101U3	COLLAR	1	
18	565-14771-00	STAY, muffler 1	1	
19	90109-06551	BOLT	1	
20	97313-06016	BOLT	1	
21	92990-06100	WASHER, spring	1	
22	92901-06600	WASHER, plate	1	



2VN100-8080

B11

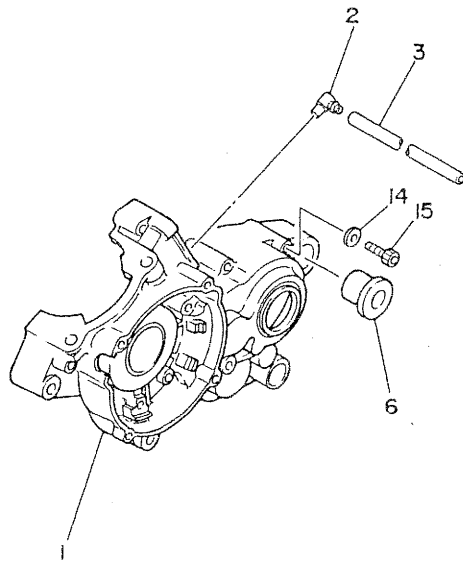
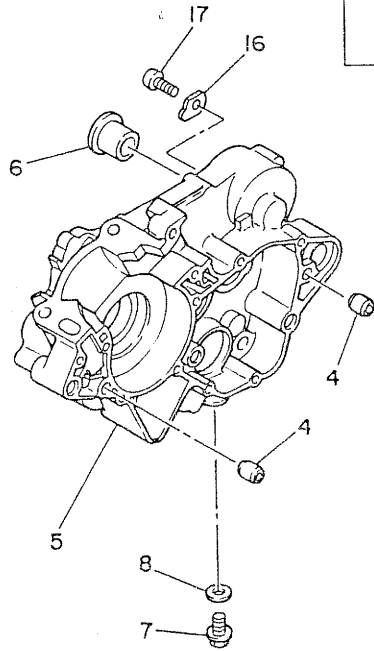
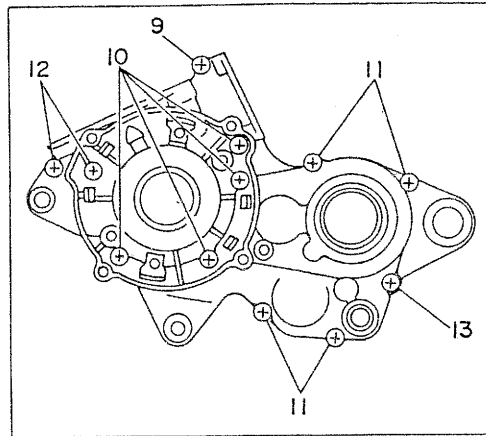


FIG. 9 CRANKCASE

REF. NO.	PART NO.	DESCRIPTION	Q'TY	REMARKS
1	1LX-15111-10	CRANKCASE 1	1	
2	353-13115-01	CONNECTOR, suction pipe	1	
3	90445-08376	HOSE	1	
4	99510-12016	PIN, dowel	2	
5	1LX-15121-10	CRANKCASE 2	1	
6	90387-16781	COLLAR	2	
7	90340-12095	PLUG, straight screw	1	
8	90430-12038	GASKET	1	
9	91316-06035	BOLT	1	
10	91316-06045	BOLT	4	
11	91316-06055	BOLT	4	
12	91316-06060	BOLT	2	
13	91316-06065	BOLT	1	
14	90209-06290	WASHER	1	
15	91316-05012	BOLT	1	
16	3R3-15128-01	HOLDER	1	
17	92501-08010	SCREW, pan head	1	

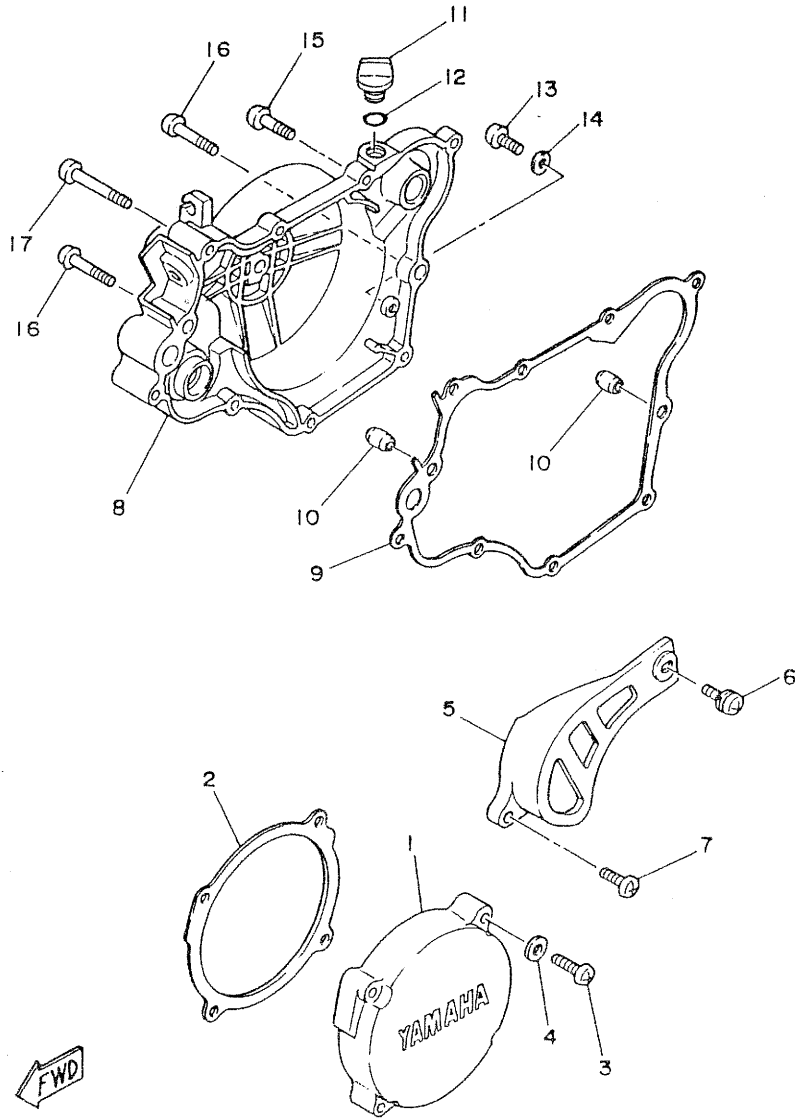
FWD

2HG100-7090

B12

FIG. 10 CRANKCASE COVER 1

REF. NO.	PART NO.	DESCRIPTION	Q'TY	REMARKS
1	2VN-15411-00	COVER, crankcase 1	1	
2	1LX-15451-00	GASKET, crankcase cover 1	1	
3	92516-06030	SCREW, pan head	4	
4	92906-06600	WASHER, plate	4	
5	2VN-15421-00	COVER, crankcase 2	1	
6	90159-06084	SCREW, with washer	1	
7	92506-06016	SCREW, pan head	1	
8	2VN-15431-00	COVER, crankcase 3	1	
9	1LX-15462-00	GASKET, crankcase cover 3	1	
10	99530-10014	PIN, dowel	2	
11	1G8-15362-00	PLUG, oil level	1	
12	93210-14104	O-RING	1	
13	92506-06008	SCREW, pan head	1	
14	90430-06016	GASKET	1	
15	92506-06025	SCREW, pan head	6	
16	92506-06035	SCREW, pan head	2	
17	92506-06045	SCREW, pan head	1	



FWD

2VN100-8100

B13

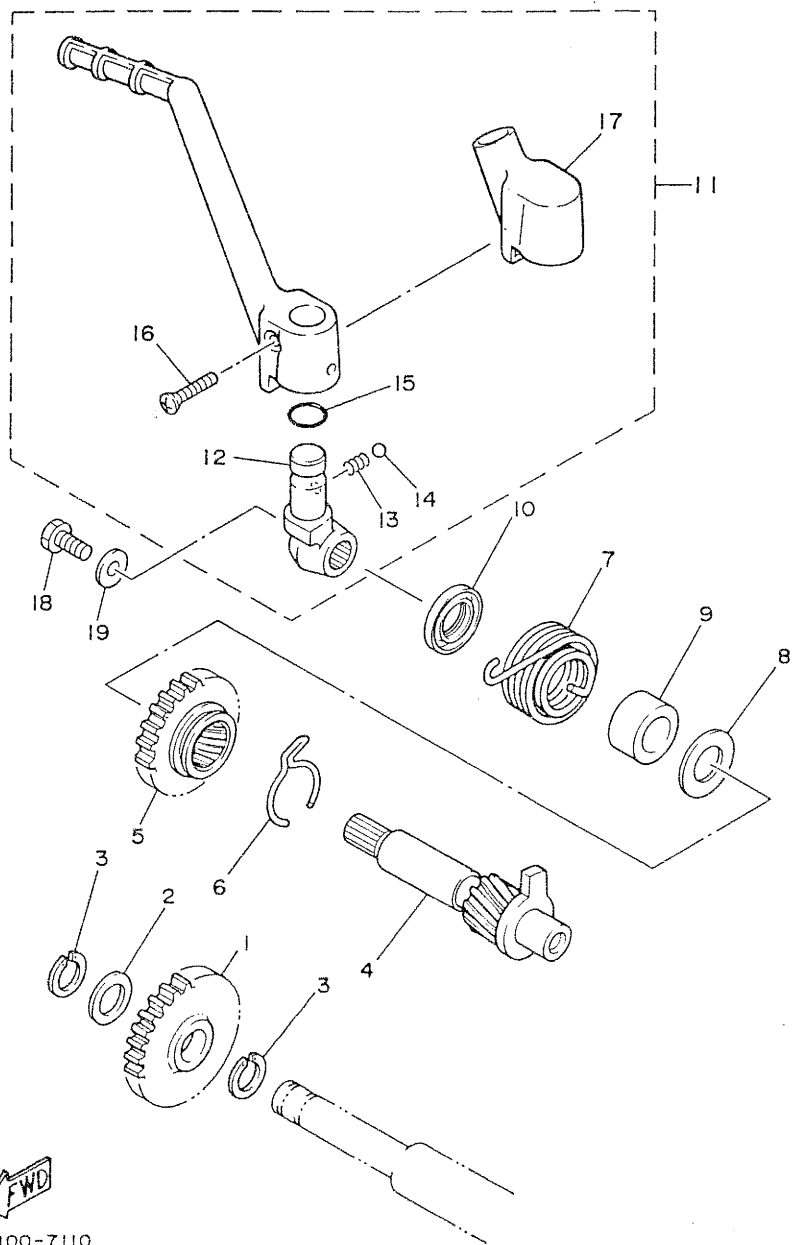
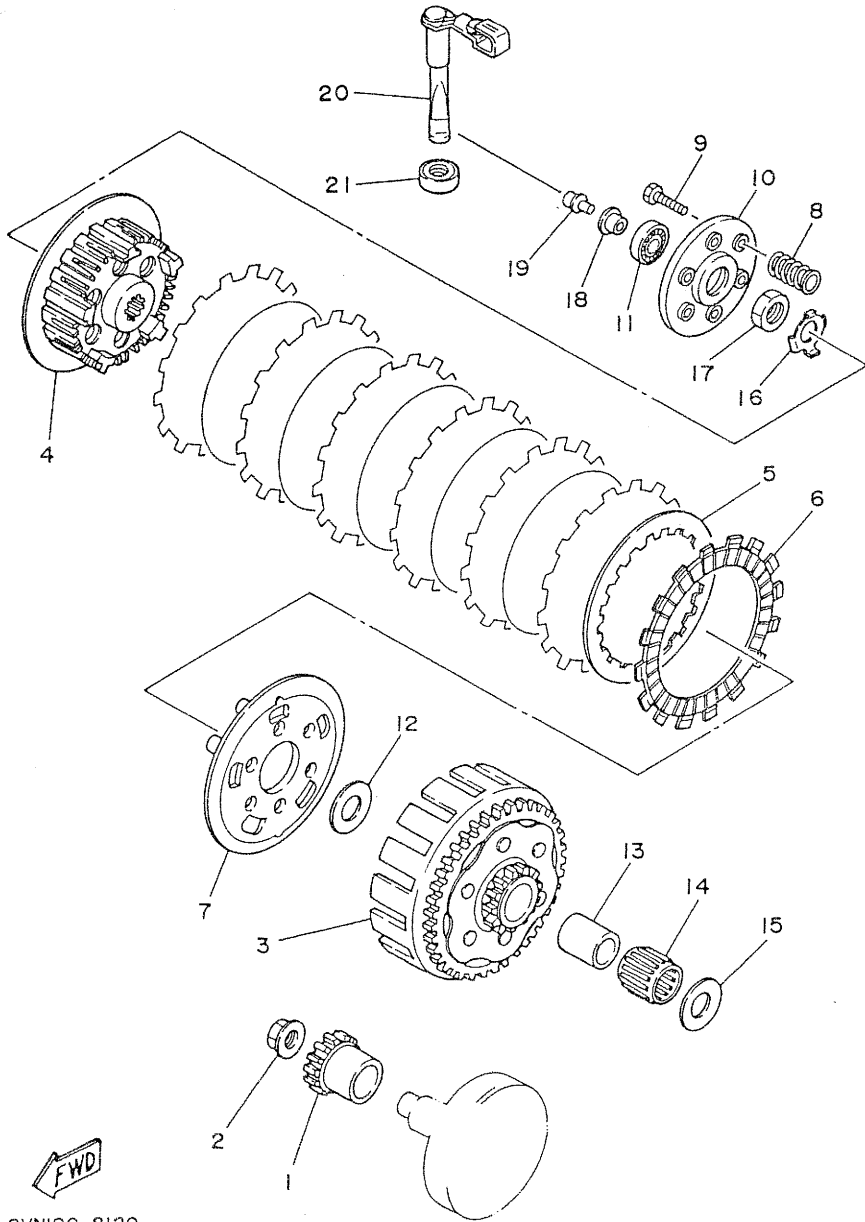


FIG. 11 STARTER

REF. NO.	PART NO.	DESCRIPTION	Q'TY	REMARKS
1	1LX-15651-00	GEAR, kick idle	1	
2	137-17417-00-05	SHIM 1 (0.5T)	1	UN
3	93440-15012	CIRCLIP	2	
4	1LX-15660-00	KICK AXLE ASSY	1	
5	1LX-15641-00	GEAR, kick	1	
6	90468-26048	CLIP	1	
7	90508-26700	SPRING, torsion	1	
8	90201-17164	WASHER, plate	1	
9	90560-17279	SPACER	1	
10	93102-17263	OIL SEAL	1	
11	1LX-15620-00	KICK CRANK ASSY	1	
12	1LX-15621-00	.BOSS, kick crank	1	
13	90501-12081	.SPRING, compression	1	
14	93507-32031	.BALL	1	
15	93210-15151	.O-RING	1	
16	90152-06010	.SCREW, countersunk	1	
17	1LX-15618-00	.COVER, kick lever	1	
18	97021-06012	BOLT	1	
19	90201-06060	WASHER, plate	1	

2HG100-7110

B14

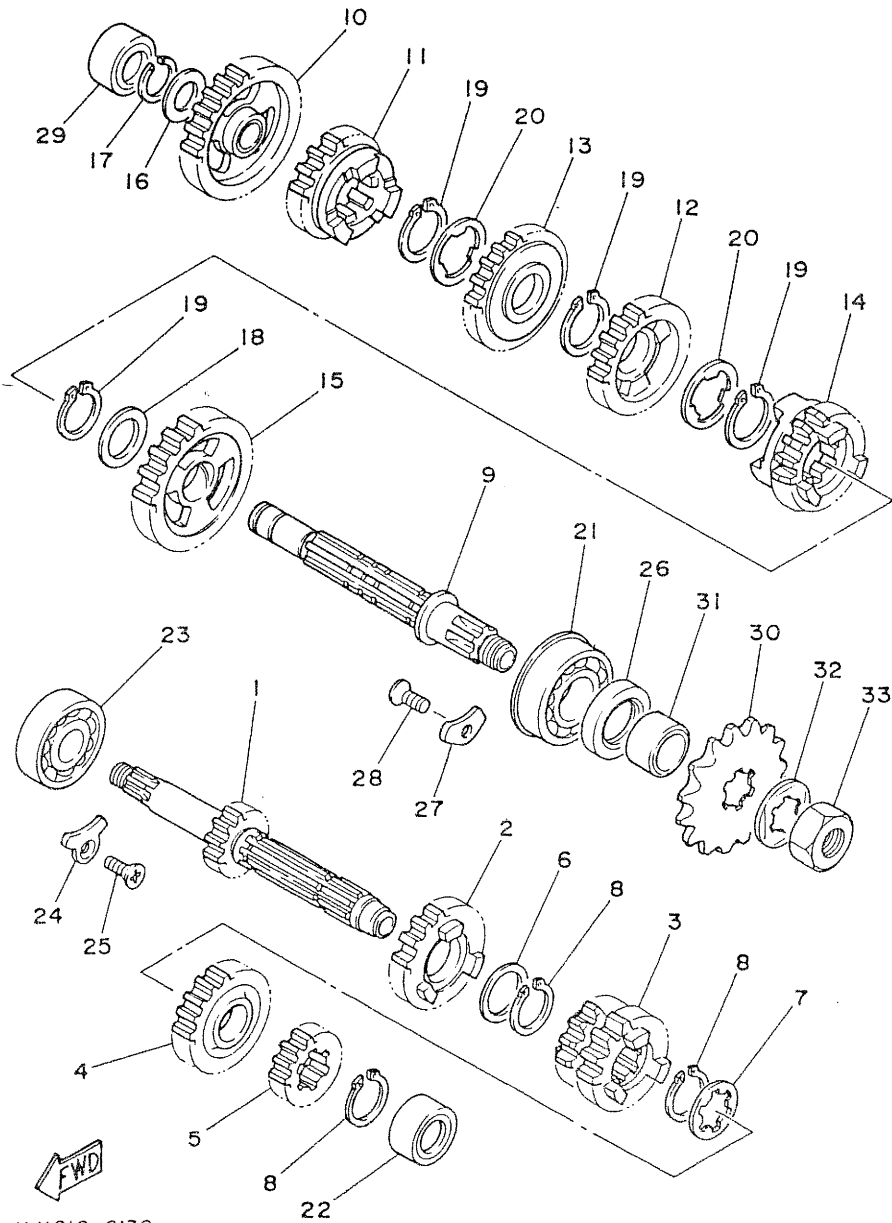


2VN100-8120

FIG. 12 CLUTCH

REF. NO.	PART NO.	DESCRIPTION	Q'TY	REMARKS
1	1LX-16111-00	GEAR, primary drive	1	
2	90179-12373	NUT	1	
3	2VN-16150-00	PRIMARY DRIVEN GEAR COMP.	1	
4	2VN-16371-00	BOSS, clutch	1	
5	24X-16324-00	PLATE, clutch 1	6	
6	1LX-16321-00	PLATE, friction	7	
7	2VN-16351-00	PLATE, pressure 1	1	
8	90501-210F3	SPRING, compression	6	
9	90159-05159	SCREW, with washer	6	
10	2VN-16352-00	PLATE, pressure 2	1	
11	93306-00004	BEARING	1	
12	90201-174F7	WASHER, plate	1	
13	90560-17335	SPACER	1	
14	93310-323T6	BEARING, cylindrical	1	
15	90201-174F7	WASHER, plate	1	
16	90215-14263	WASHER, lock	1	
17	90170-14171	NUT	1	
18	2VN-16357-00	ROD, push 2	1	
19	2VN-16358-00	PLATE, push	1	
20	1LX-16380-00	PUSH LEVER ASSY	1	
21	93109-12012	OIL SEAL	1	

B15

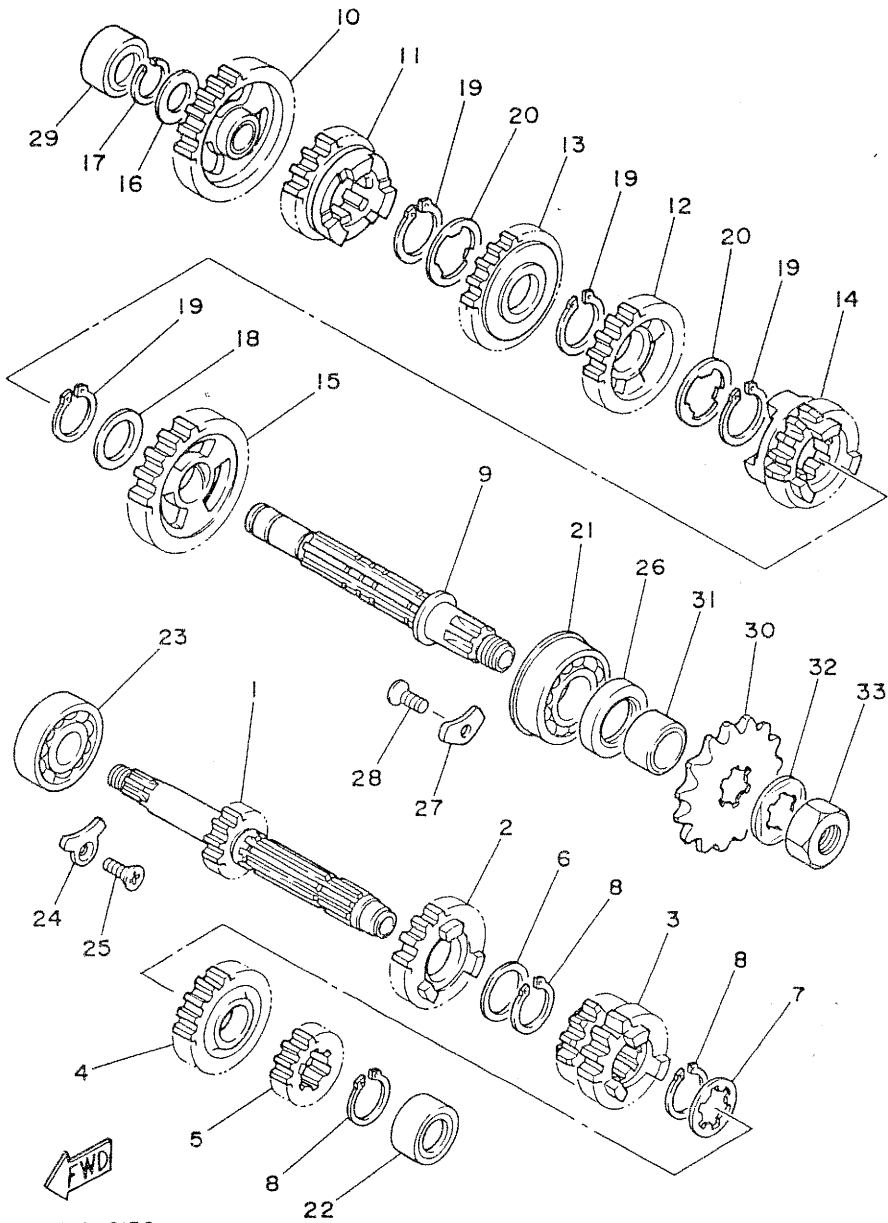


1LX010-6130

FIG. 13 TRANSMISSION

REF. NO.	PART NO.	DESCRIPTION	Q'TY	REMARKS
1	2VN-17411-00	AXLE, main	1	
2	2VN-17151-00	GEAR, 5th pinion	1	
3	2VN-17131-00	GEAR, 3rd pinion	1	
4	2VN-17161-00	GEAR, 6th pinion	1	
5	2VN-17121-00	GEAR, 2nd pinion	1	
6	90201-22555	WASHER, plate	1	
7	90209-18135	WASHER	1	
8	93410-22039	CIRCLIP	3	
9	2VN-17421-00	AXLE, drive	1	
10	2HG-17211-00	GEAR, 1st wheel	1	
11	2HG-17251-00	GEAR, 5th wheel	1	
12	2HG-17231-00	GEAR, 3rd wheel	1	
13	2HG-17241-00	GEAR, 4th wheel	1	
14	2HG-17261-00	GEAR, 6th wheel	1	
15	2HG-17221-00	GEAR, 2nd wheel	1	
16	90201-15701	WASHER, plate (1.0T)	1	
17	93440-15012	CIRCLIP	1	
18	90201-22555	WASHER, plate	1	
19	93410-22039	CIRCLIP	4	
20	90209-18135	WASHER	2	
21	93306-30411	BEARING (B6304)	1	
22	93311-41530	BEARING, cylindrical	1	
23	93306-30309	BEARING (B6303ZZ)	1	
24	1LX-15383-00	PLATE, bearing cover	1	
25	92701-06012	SCREW, flat head	1	
26	93102-26042	OIL SEAL	1	
27	2K7-15383-00	PLATE, bearing cover	1	
28	92701-06012	SCREW, flat head	1	

C2



ILX010-6130

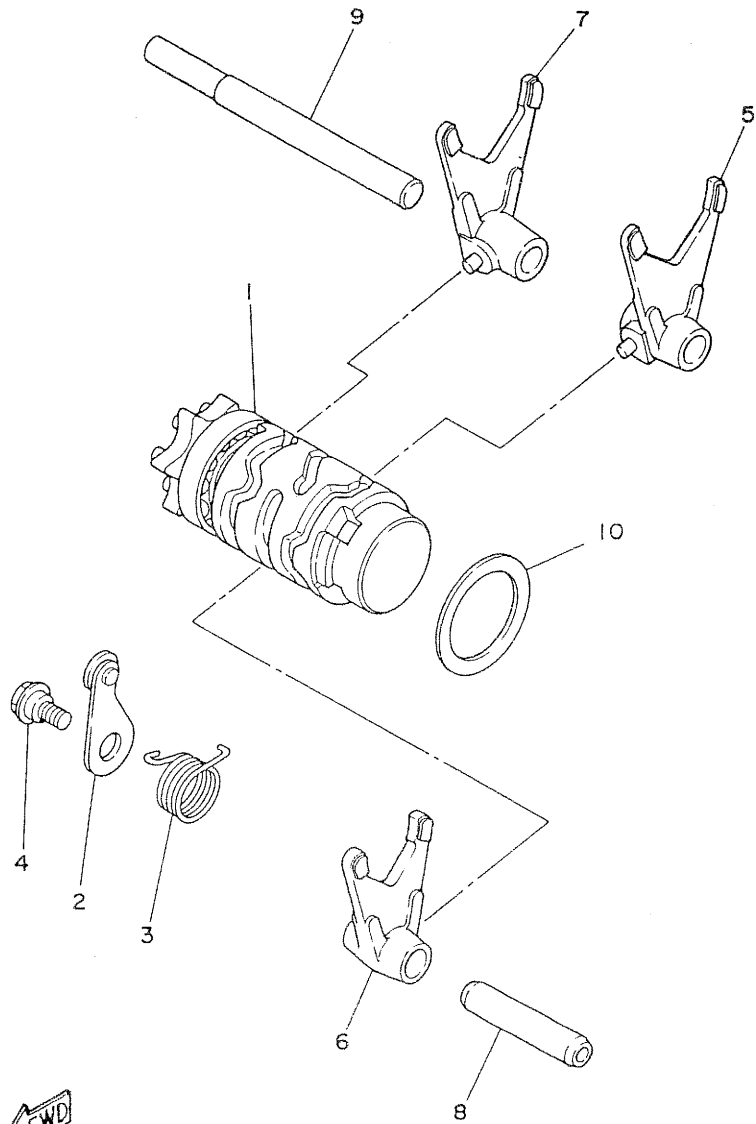
FIG. 13 TRANSMISSION

REF. NO.	PART NO.	DESCRIPTION	Q'TY	REMARKS
29	93311-31567	BEARING, cylindrical	1	
30	9383A-13031	SPROCKET, drive 13T (2HG1746130)	1	STD
	9383A-12017	SPROCKET, drive 12T (2HG1746120)	1	AP
	9383A-14054	SPROCKET, drive 14T (2HG1746140)	1	AP
31	90387-202A0	COLLAR	1	
32	90215-20261	WASHER, lock	1	
33	90179-16226	NUT	1	

C3

FIG. 14 SHIFT CAM. FORK

REF. NO.	PART NO.	DESCRIPTION	Q'TY	REMARKS
1	1LX-18540-00	SHIFT CAM ASSY	1	
2	3R4-18140-00	STOPPER LEVER ASSY	1	
3	90508-26731	SPRING, torsion	1	
4	50W-21631-00	BOLT 1	1	
5	1LX-18511-00	FORK, shift 1	1	
6	2VN-18512-00	FORK, shift 2	1	
7	1LX-18513-00	FORK, shift 3	1	
8	1LX-18531-00	BAR, shift fork guide 1	1	
9	1LX-18535-00	BAR, shift fork guide 2	1	
10	90201-34683	WASHER, plate	1	



ILX010-6140

C4

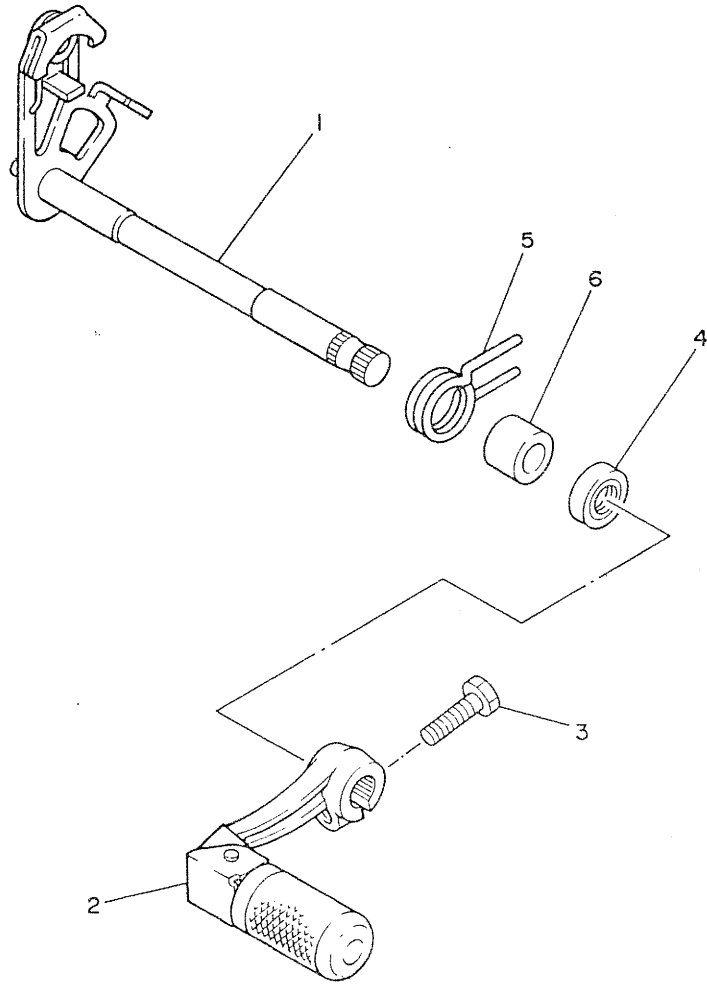


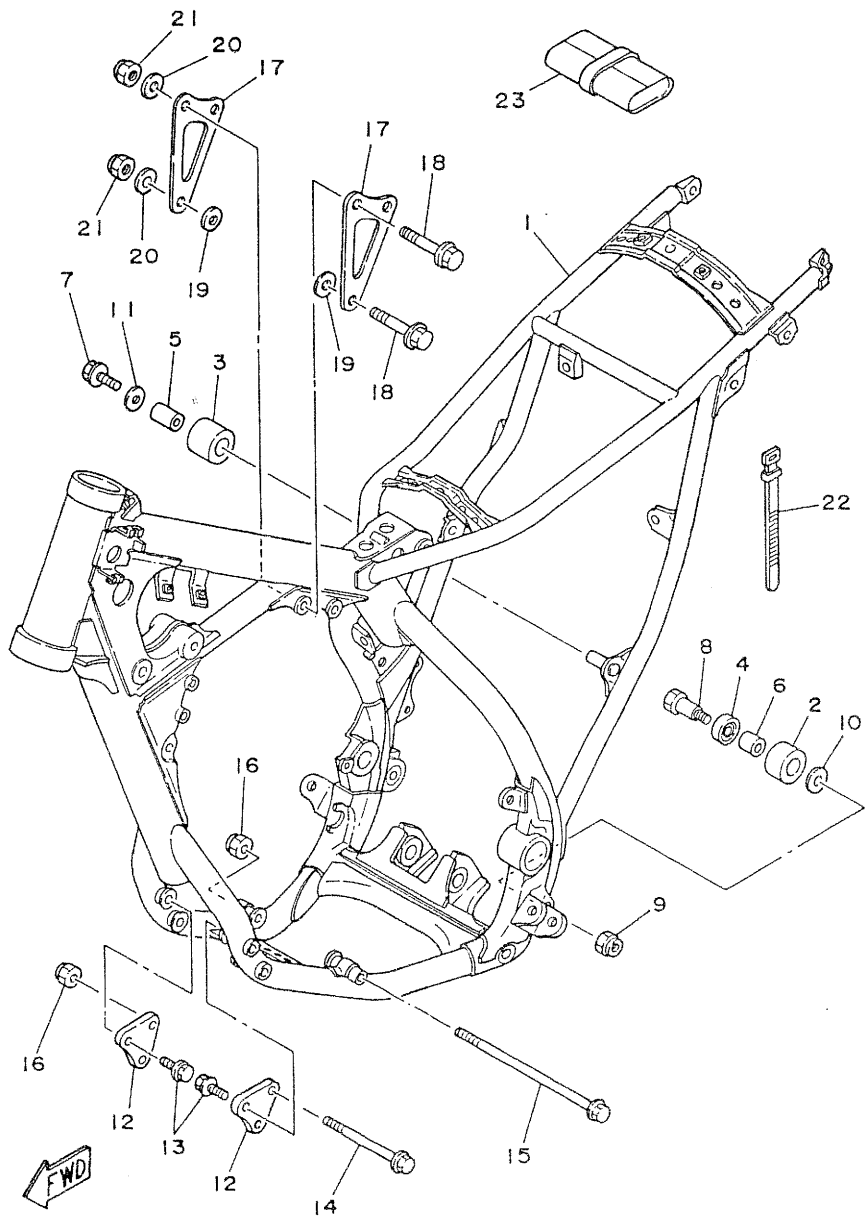
FIG. 15 SHIFT SHAFT

REF. NO.	PART NO.	DESCRIPTION	Q'TY	REMARKS
1	1LX-18101-01	SHIFT SHAFT ASSY	1	
2	1LX-18110-00	SHIFT PEDAL ASSY	1	
3	97021-06025	BOLT	1	
4	93109-12012	OIL SEAL	1	
5	90508-32535	SPRING, torsion	1	
6	90560-12280	SPACER	1	



ILX010-6150

C5



2VN100-8160

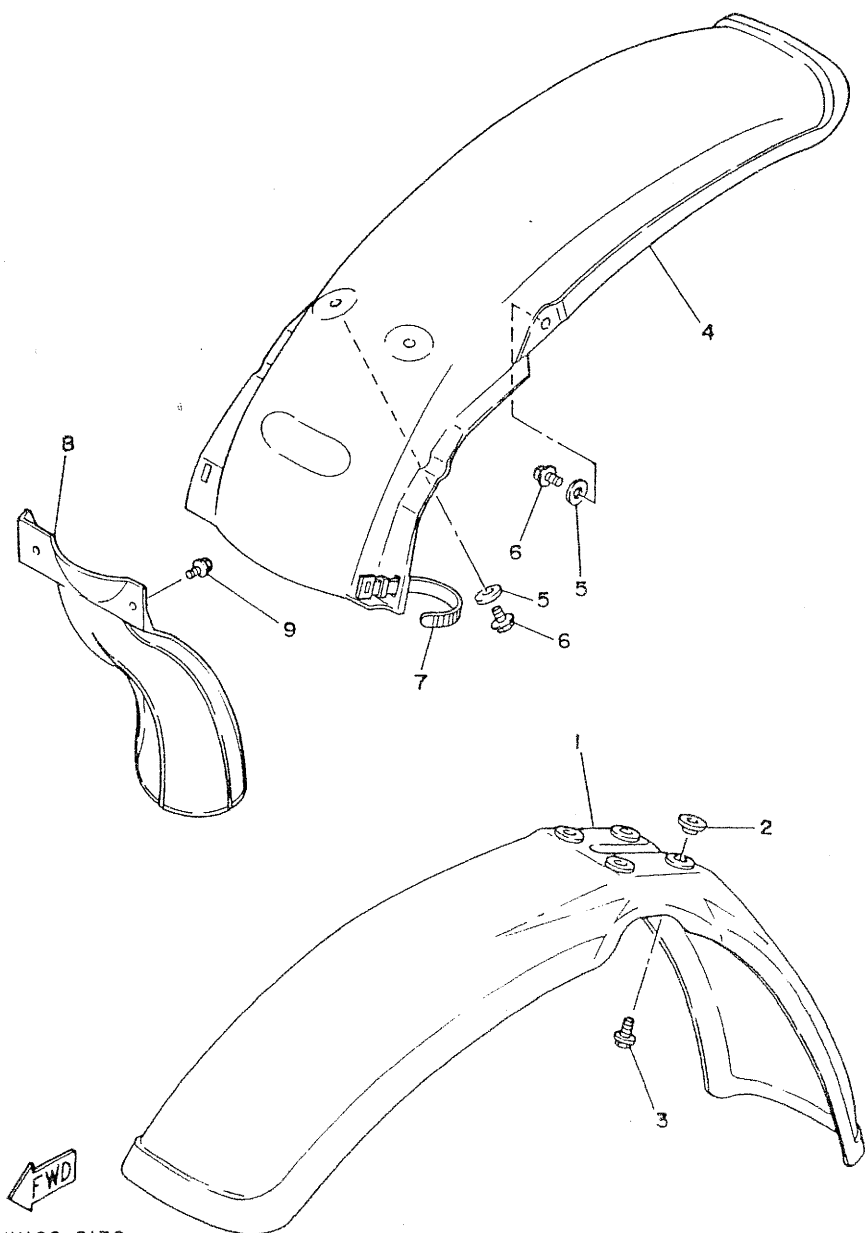
FIG. 16 FRAME

REF. NO.	PART NO.	DESCRIPTION	Q'TY	REMARKS
1	2VN-21110-00-UJ	FRAME COMP.	1	RADICAL WHITE
2	2HH-22178-00	TENSIONER	1	
3	30X-22178-00	TENSIONER	1	
4	93300-60816	BEARING	1	
5	4V4-22184-00	BUSH	1	
6	90387-086N4	COLLAR	1	
7	91002-08012	BOLT, flange	1	
8	95023-08045	BOLT, flange	1	
9	95602-08200	NUT, self-locking	1	
10	90201-081A6	WASHER, plate	1	
11	90201-08753	WASHER, plate	1	
12	1LX-21419-00	BRACKET, engine 2	2	
13	91011-08040	BOLT, flange	4	
14	91011-08095	BOLT, flange	1	
15	90105-08449	BOLT, washer based	1	
16	95601-08200	NUT, self-locking	2	
17	1LX-21425-00	BRACKET, rear upper 1	2	
18	91011-08055	BOLT, flange	3	
19	90202-08022	WASHER, plate	2	
20	90201-085E6	WASHER, plate	3	
21	95601-08200	NUT, self-locking	3	
22	437-83936-10	BAND, switch cord	1	
23	1LU-28100-00	TOOL KIT	1	

C6

FIG. 17 FENDER

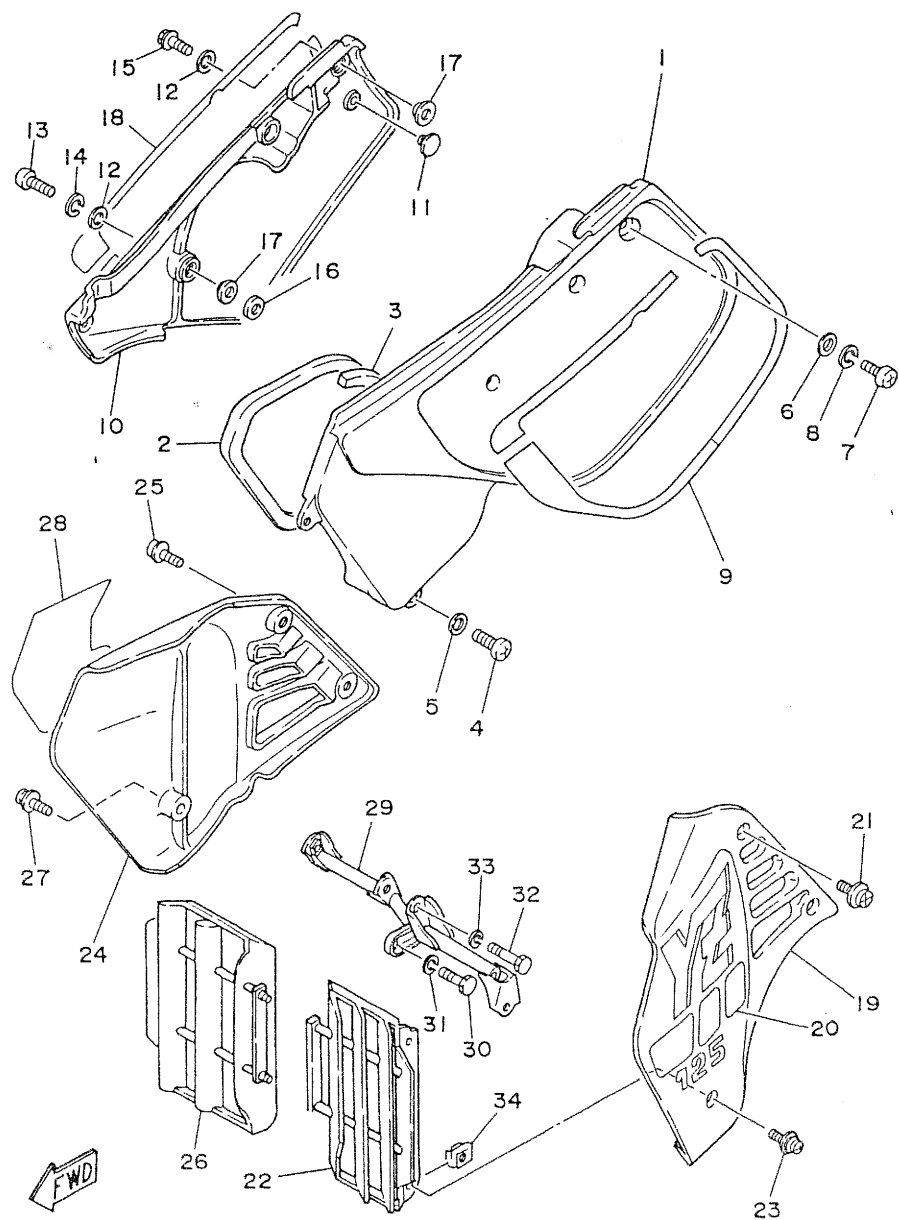
REF. NO.	PART NO.	DESCRIPTION	Q'TY	REMARKS
1	5X6-21511-10	FENDER, front	1	WHITE
2	90387-06681	COLLAR	4	
3	90119-06063	BOLT, with washer	4	
4	1LX-21611-00	FENDER, rear	1	WHITE
5	90201-06570	WASHER, plate	4	
6	90105-06138	BOLT, washer based	4	
7	437-83936-00	BAND, switch cord	1	
8	39X-21642-00	GUARD, flap	1	
9	90119-06042	BOLT, with washer	2	



2VN100-8170

C7

FIG. 18 SIDE COVER

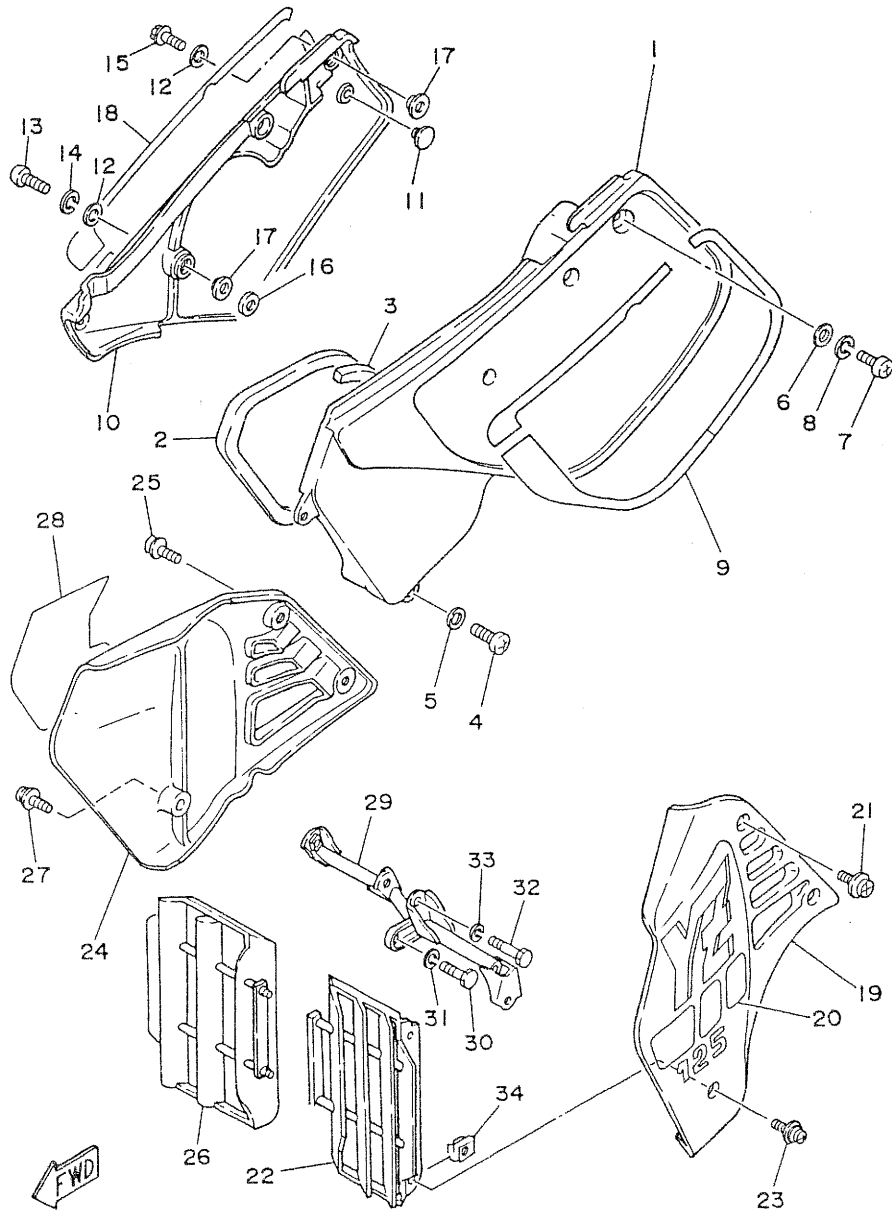


2VN100-8180

REF. NO.	PART NO.	DESCRIPTION	Q'TY	REMARKS
1	1LX-21711-01-98	COVER, side 1	1	LOW GLOSS BLACK
2	39W-14452-00	SEAL	1	
3	39X-14452-00	SEAL	1	
4	92506-06016	SCREW, pan head	3	
5	92906-06600	WASHER, plate	3	
6	90201-06571	WASHER, plate	1	
7	92501-06014	SCREW, pan head	1	
8	92990-06100	WASHER, spring	1	
9	2VN-2173L-00	GRAPHIC SET 1	1	
10	1LX-21721-01	COVER, side 2	1	
11	22W-24181-00	DAMPER, locating 1	3	
12	90201-06571	WASHER, plate	2	
13	92501-06014	SCREW, pan head	1	
14	92990-06100	WASHER, spring	1	
15	95023-06016	BOLT, flange	1	
16	90201-063A5	WASHER, plate	1	
17	90387-061M0	COLLAR	2	
18	2VN-2174L-00	GRAPHIC SET 2	1	
19	2HG-21731-00	COVER, side 3	1	
20	2VN-24244-00	GRAPHIC, fuel tank 1	1	
21	90159-06013	SCREW, with washer	2	
22	24Y-2172A-00	PANEL 1	1	
23	90159-05100	SCREW, with washer	2	
24	2HG-21741-00	COVER, side 4	1	
25	90159-06013	SCREW, with washer	2	
26	1LX-2172F-00	PANEL 2	1	
27	90159-05100	SCREW, with washer	2	
28	2VN-24245-00	GRAPHIC, fuel tank 2	1	

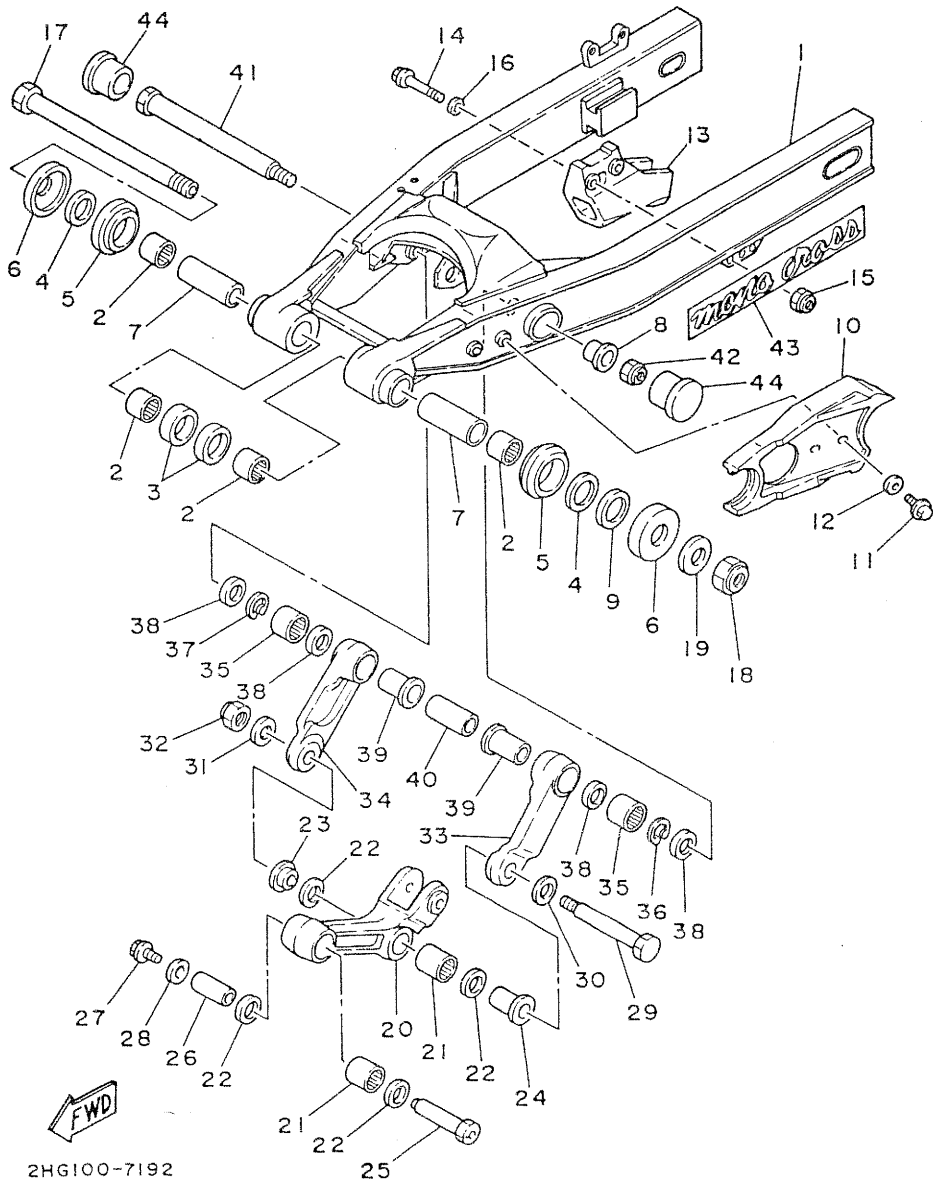
FIG. 18 SIDE COVER

REF. NO.	PART NO.	DESCRIPTION	Q'TY	REMARKS
29	2HG-2174F-00	GUARD, radiator	1	
30	97001-06012	BOLT	1	
31	92990-06100	WASHER, spring	1	
32	97313-06055	BOLT	1	
33	92990-06100	WASHER, spring	1	
34	22W-21791-00	NUT	4	



2VN100-8180

C9

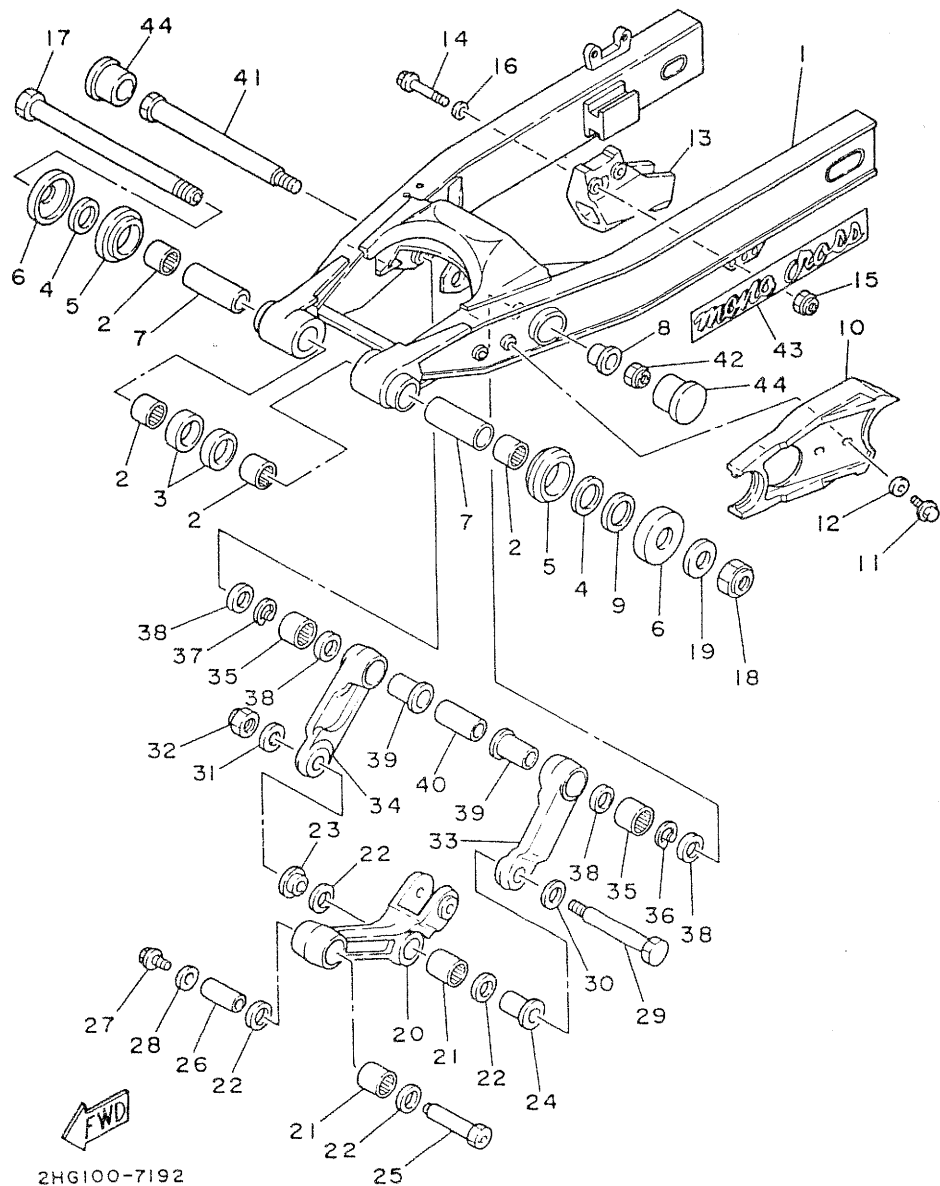


2HG100-7192

FIG. 19 REAR ARM

REF. NO.	PART NO.	DESCRIPTION	Q'TY	REMARKS
1	2VN-22110-00	REAR ARM COMP.	1	
2	93317-22262	BEARING, cylindrical	4	UR
	93317-22263	BEARING, cylindrical	4	UR
3	93106-22019	OIL SEAL	2	
4	93342-22208	BEARING	2	
5	93108-35004	OIL SEAL	2	
6	3R4-22129-00	COVER, thrust 2	2	
7	90380-16056	BUSH, solid	2	
8	90381-16060	BUSH, solid	1	
9	156-22127-00	SHIM (0.3T)	1	UN
10	1LX-22151-00	SEAL, guard	1	
11	98001-06020	BOLT	2	
12	90201-06067	WASHER, plate	2	
13	39W-22199-01	SUPPORT, chain	1	
14	91002-08045	BOLT, flange	2	
15	95602-08200	NUT, self-locking	2	
16	92901-08200	WASHER, plain	2	
17	1LX-22141-00	SHAFT, pivot	1	
18	90185-16127	NUT, self-locking	1	
19	90201-164H4	WASHER, plate	1	
20	2VN-2217A-00	ARM, relay	1	
21	93315-22046	BEARING, cylindrical	2	
22	93109-20029	OIL SEAL	4	
23	90387-164N2	COLLAR	1	
24	90387-164N3	COLLAR	1	
25	90179-10544	NUT	1	
26	90387-167R5	COLLAR	1	
27	91011-10016	BOLT, flange	1	

C10

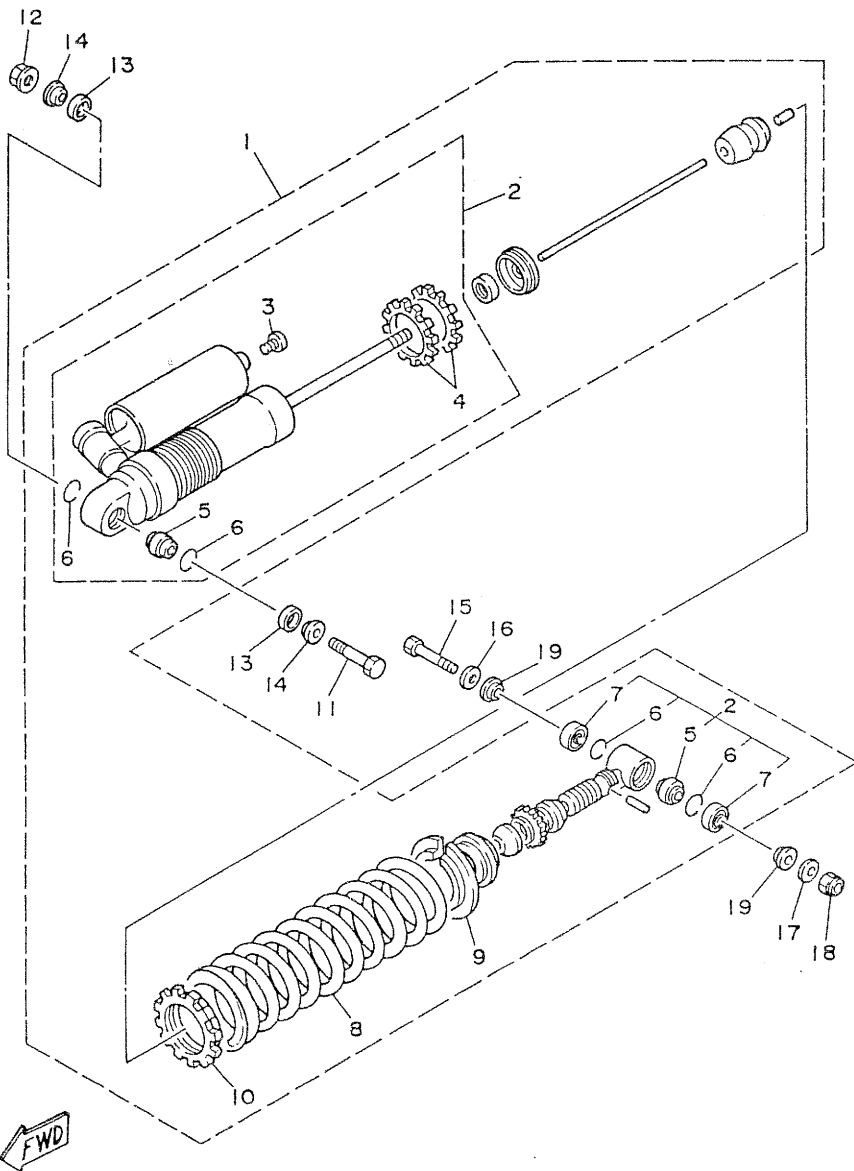


2HG100-7192

FIG. 19 REAR ARM

REF. NO.	PART NO.	DESCRIPTION	Q'TY	REMARKS
28	90201-106F2	WASHER, plate	1	
29	90109-145E4	BOLT	1	
30	90201-164H4	WASHER, plate	1	
31	90201-14740	WASHER, plate	1	
32	90185-14112	NUT, self-locking	1	
33	2HG-2217F-00	ROD, connecting 1	1	
34	2HG-2217G-00	ROD, connecting 2	1	
35	93315-22045	BEARING (YT202720E01)	2	IKO
36	93450-28063	CIRCLIP	1	
37	93450-28063	CIRCLIP	1	
38	93109-20029	OIL SEAL	4	
39	90387-164N3	COLLAR	2	
40	90387-167R4	COLLAR	1	
41	90109-145E5	BOLT	1	
42	95601-14200	NUT, self-locking	1	
43	2HH-2218A-00	EMBLEM, rear arm	2	
44	1HX-2135F-00	COVER	2	

C11



2VN100-8200

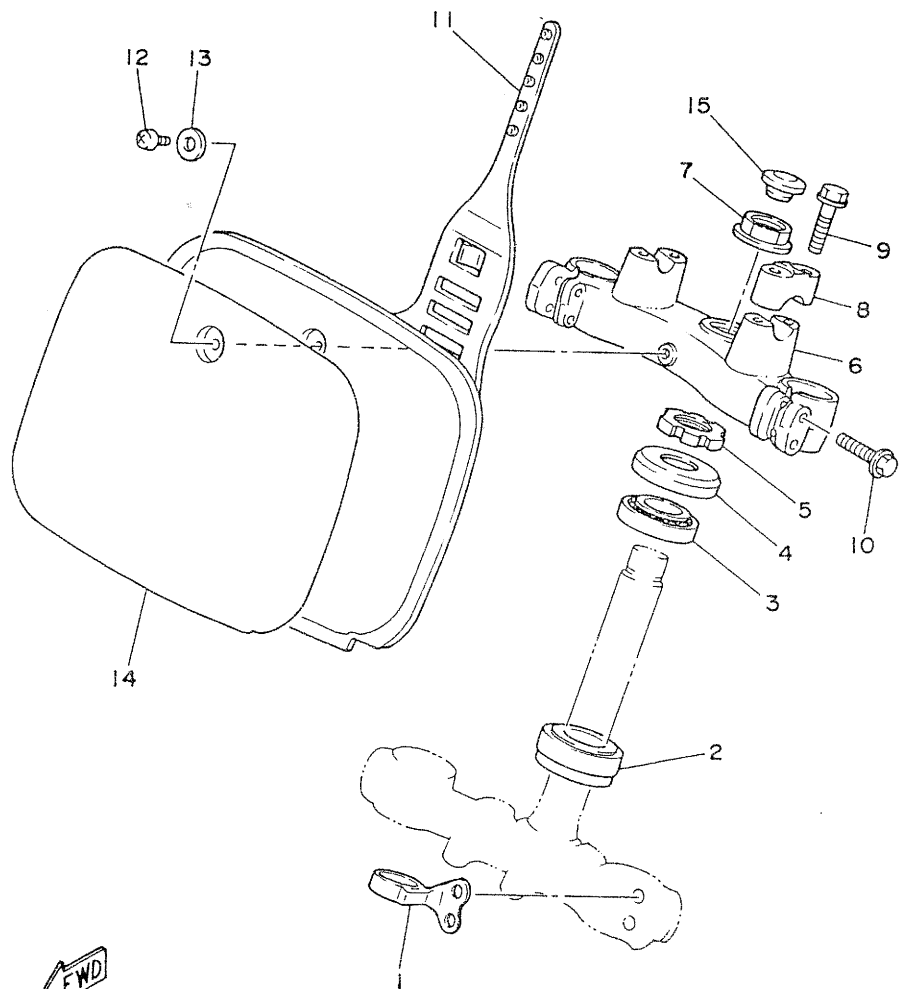
FIG. 20 REAR SUSPENSION

REF. NO.	PART NO.	DESCRIPTION	Q'TY	REMARKS
1	2VN-22210-00-6W	SHOCK ABSORBER ASSY, rear	1	NATIVE RED
2	2VN-22201-00	.DAMPER SUB ASSY	1	
3	98501-04006	..SCREW, pan head	1	
4	1LX-22225-00	..RING, hold	2	
5	93399-99927	..BEARING	2	
6	93440-30113	..CIRCLIP	4	
7	93104-18077	..OIL SEAL	2	
8	1LX-22212-20-6W	.SPRING (K=4.75)	1	NATIVE RED
9	2VN-22214-00	.GUIDE, spring 1	1	
10	1LX-22223-00	.SEAT, spring lower	1	
11	90109-10704	BOLT	1	
12	90185-10115	NUT, self-locking	1	
13	23X-22211-00	COVER	2	
14	90387-12768	COLLAR	2	
15	90109-102E6	BOLT	1	
16	90201-120E6	WASHER, plate	1	
17	90201-100E9	WASHER, plate	1	
18	90185-10120	NUT, self-locking	1	
19	90387-126H8	COLLAR	2	

C12

FIG. 21 STEERING

REF. NO.	PART NO.	DESCRIPTION	Q'TY	REMARKS
1	3R4-23389-00	GUIDE, cable	1	
2	93332-00067	BEARING	1	
3	93332-00068	BEARING	1	
4	2HG-23416-00	COVER, ball race 2	1	
5	90179-28543	NUT	1	
6	2HG-23435-00-98	CROWN, handle	1	LOW GLOSS BLACK
7	90179-24542	NUT	1	
8	1E6-23441-00	HOLDER, handle upper	2	
9	95811-08035	BOLT, flange	4	
10	91021-08040	BOLT, flange	4	
11	5X6-23485-11	PLATE, number	1	CLEAN WHITE
12	92501-06012	SCREW, pan head	1	
13	90201-06571	WASHER, plate	1	
14	2VN-23395-00	EMBLEM	1	
15	2HG-2319U-00	CAP	1	



ILX010-6210

C13

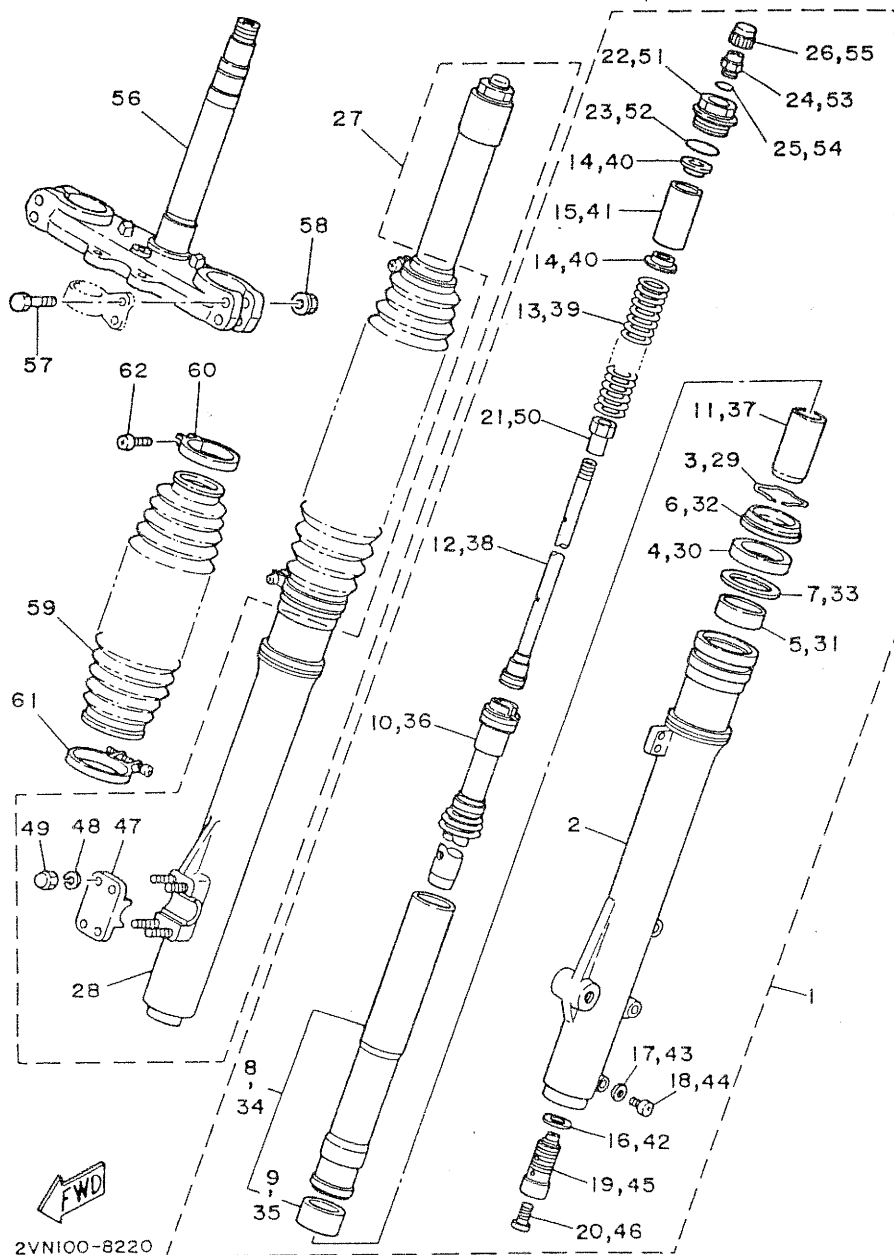


FIG. 22 FRONT FORK

REF. NO.	PART NO.	DESCRIPTION	Q'TY	REMARKS
1	2VN-23102-L0	FRONT FORK ASSY (L.H)	1	
2	2VM-23126-L0	.TUBE, outer 1	1	
3	4V4-23153-L0	.RING, snap	1	
4	2VM-23145-L0	.OIL SEAL	1	
5	4V4-23125-L0	.METAL, slide 1	1	
6	2VM-23144-L0	.SEAL, dust	1	
7	4V4-23146-L0	.WASHER, oil seal	1	
8	2VM-23110-L0	.INNER TUBE COMP. 1	1	
9	4V4-23171-L0	..PISTON, front fork	1	
10	2VM-23170-L0	.CYLINDER COMP., front fork	1	
11	2VM-23173-L0	.SPINDLE, taper	1	
12	2VN-2314A-L0	.PISTON ROD ASSY	1	
13	2VN-23147-L0	.SPRING, front fork (K=0.35)	1	
14	4V4-23142-L0	.SEAT, spring upper	2	
15	2VN-23118-L0	.SPACER (L=78.5)	1	
16	2HH-23158-L0	.GASKET	1	
17	122-23129-00	.GASKET, drain plug	1	
18	4H7-23119-00	.PLUG, drain	1	
19	2VM-2316A-L0	.VALVE COMP.	1	
20	55Y-23126-M0	.PLUG	1	
21	90170-10372	.NUT	1	
22	2VM-23111-L0	.BOLT, cap	1	
23	4V4-23188-L0	.O-RING	1	
24	23X-23190-L0	.AIR VALVE COMP.	1	
25	3J2-23147-00	.O-RING	1	
26	2VN-23185-L0	.COVER, valve	1	
27	2VN-23103-L0	FRONT FORK ASSY (R.H)	1	
28	2VM-23136-L0	.TUBE, outer 2	1	

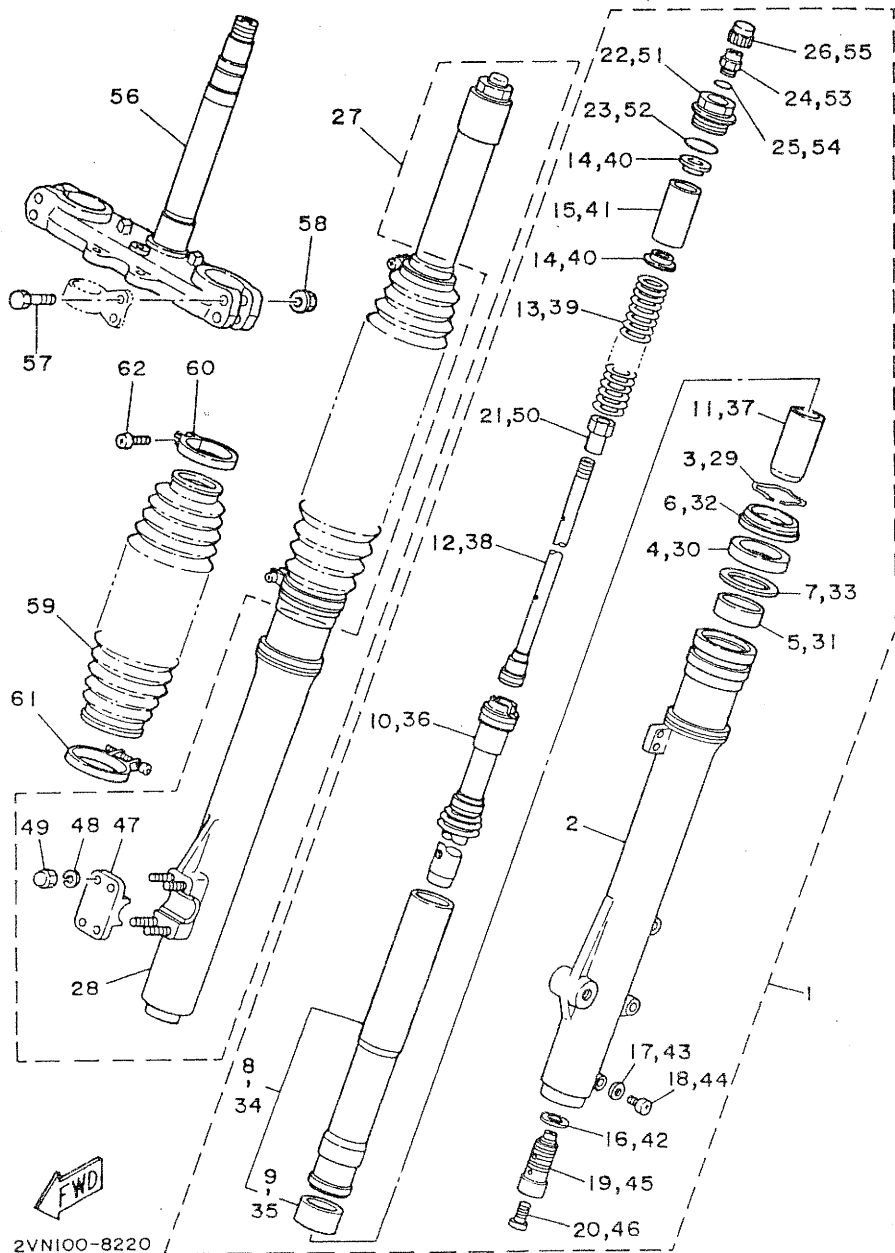


FIG. 22 FRONT FORK

REF. NO.	PART NO.	DESCRIPTION	Q'TY	REMARKS
29	4V4-23153-L0	.RING, snap	1	
30	2VM-23145-L0	.OIL SEAL	1	
31	4V4-23125-L0	.METAL, slide 1	1	
32	2VM-23144-L0	.SEAL, dust	1	
33	4V4-23146-L0	.WASHER, oil seal	1	
34	2VM-23110-L0	.INNER TUBE COMP. 1	1	
35	4V4-23171-L0	.PISTON, front fork	1	
36	2VM-23170-L0	.CYLINDER COMP., front fork	1	
37	2VM-23173-L0	.SPINDLE, taper	1	
38	2VN-2314A-L0	.PISTON ROD ASSY	1	
39	2VN-23141-L0	.SPRING, front fork (K=0.35)	1	
40	4V4-23142-L0	.SEAT, spring upper	2	
41	2VN-23118-L0	.SPACER (L=78.5)	1	
42	2HH-23158-L0	.GASKET	1	
43	122-23129-00	.GASKET, drain plug	1	
44	4H7-23119-00	.PLUG, drain	1	
45	2VM-2316A-L0	.VALVE COMP.	1	
46	55Y-2312G-M0	.PLUG	1	
47	1LX-23167-L0	.HOLDER, axle	1	
48	92990-06100	.WASHER, spring	4	
49	5Y3-23393-00	.NUT, special	4	
50	90170-10372	.NUT	1	
51	2VM-23111-L0	.BOLT, cap	1	
52	4V4-23188-L0	.O-RING	1	
53	23X-23190-L0	.AIR VALVE COMP.	1	
54	3J2-23147-00	.O-RING	1	
55	2VN-23185-L0	.COVER, valve	1	
56	2HG-23340-L0-39	UNDER BRACKET COMP.	1	CLEAR NO BUFFING

C15

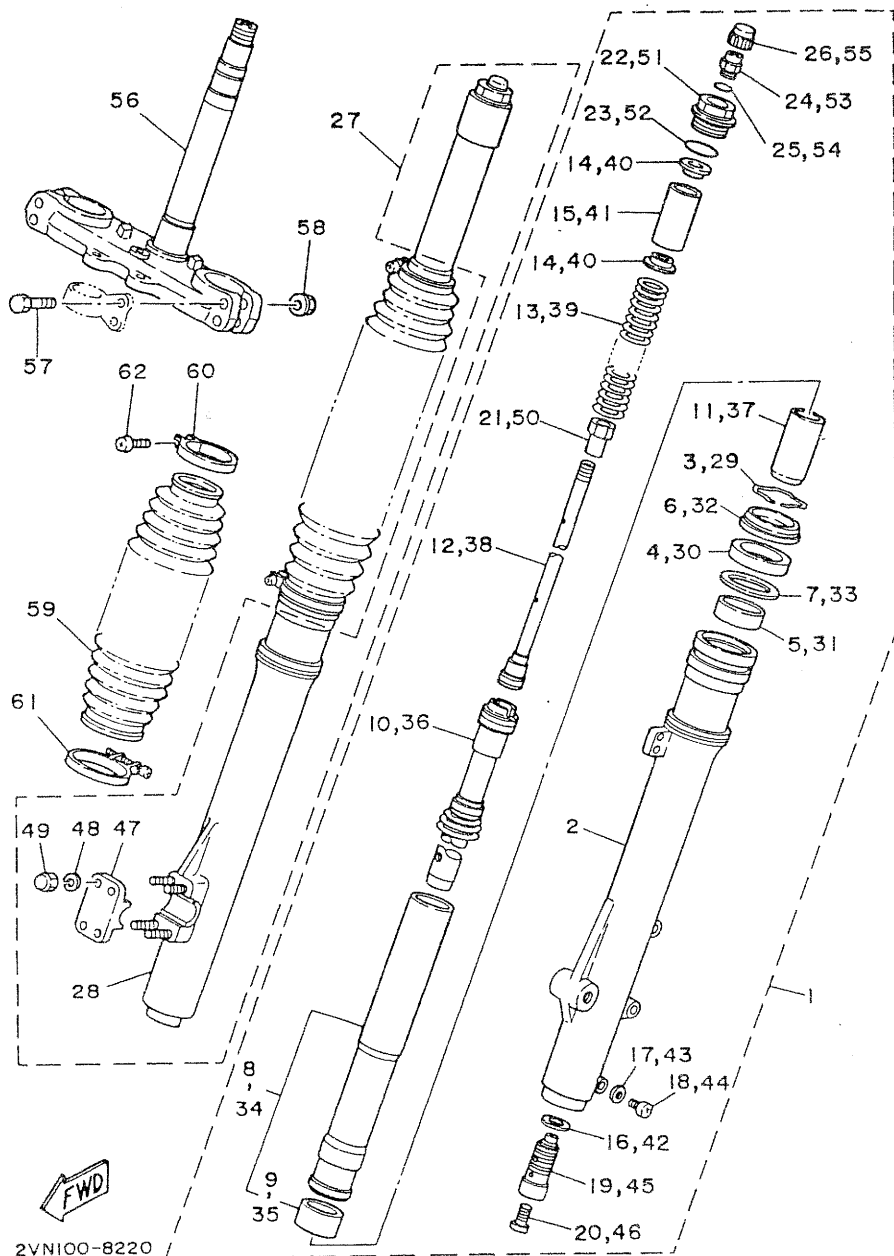


FIG. 22 FRONT FORK

REF. NO.	PART NO.	DESCRIPTION	Q'TY	REMARKS
57	90105-08463	BOLT, washer based	4	
58	95701-08500	NUT, flange	4	
59	43M-23191-L0	BOOT	2	RED
60	43M-23192-L0	BAND	2	
61	43M-23489-L0	BAND	2	
62	98506-04018	SCREW, pan head	2	

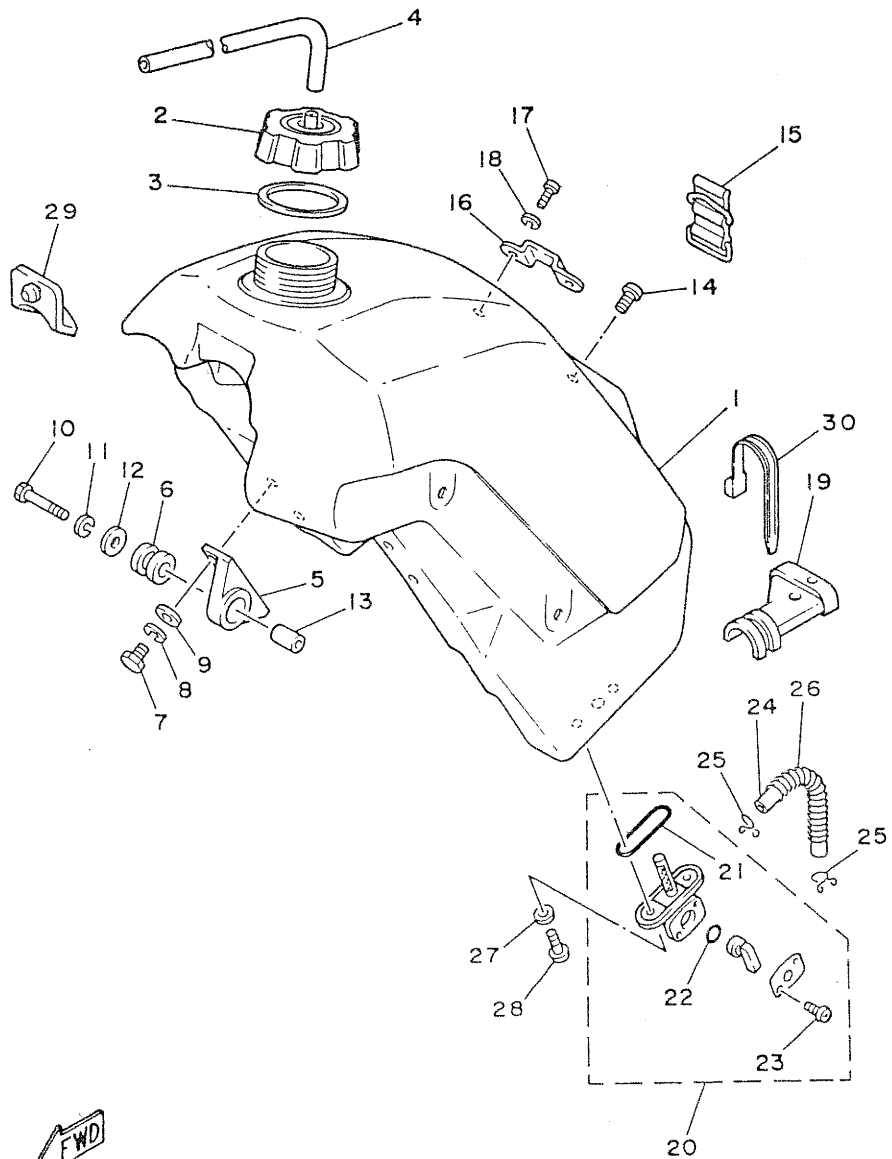


FIG. 23 FUEL TANK

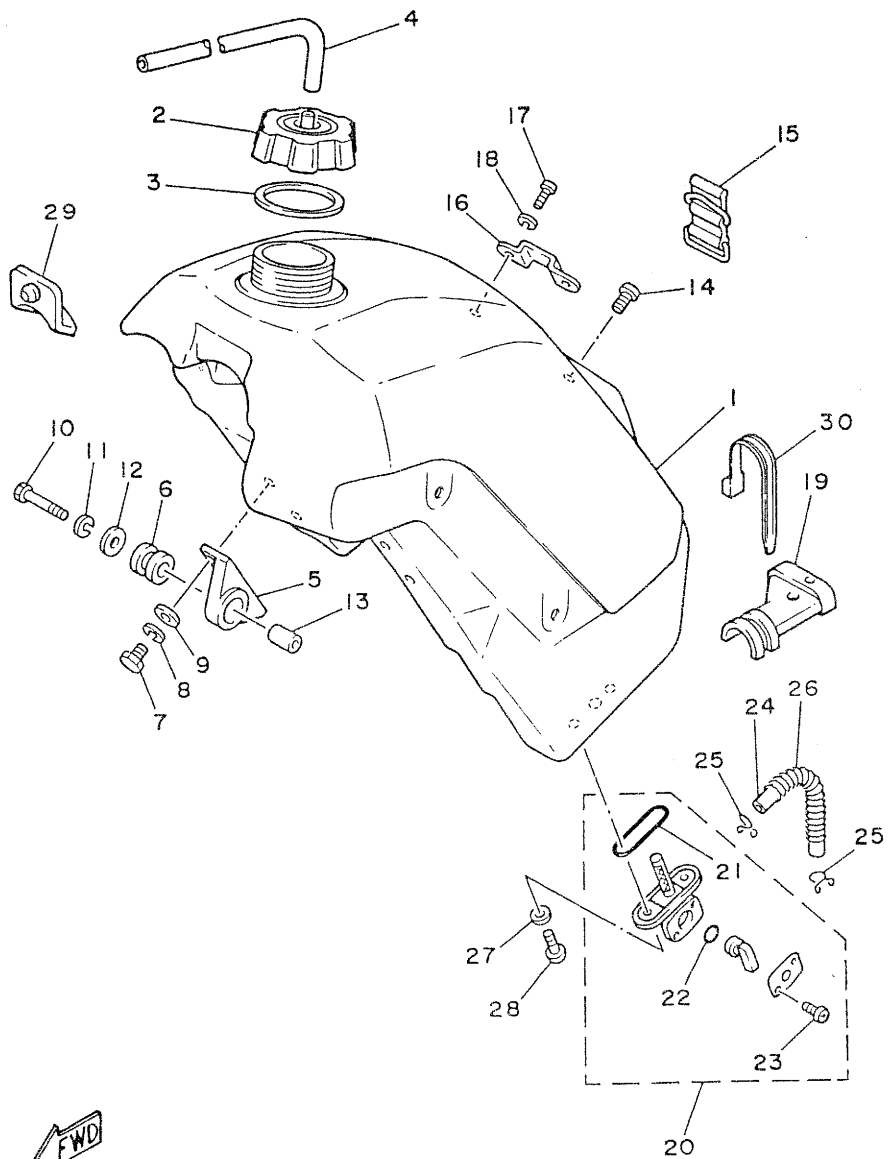
REF. NO.	PART NO.	DESCRIPTION	Q'TY	REMARKS
1	1LX-24110-00	FUEL TANK COMP.	1	
2	5X7-24611-01	BODY, cap	1	
3	5X7-24612-00	GASKET, cap	1	
4	90445-09100	HOSE	1	
5	24X-24144-00	HOLDER, damper	2	
6	90480-18354	GROMMET	2	
7	97313-06016	BOLT	4	
8	92990-06100	WASHER, spring	4	
9	92901-06600	WASHER, plate	4	
10	97013-06035	BOLT	2	
11	92990-06100	WASHER, spring	2	
12	90201-06070	WASHER, plate	2	
13	90387-06387	COLLAR	2	
14	98980-06020	SCREW, bind	1	
15	23X-24173-00	BAND, tank fitting 1	1	
16	5X6-2412F-00	BRACKET, seat	1	
17	92501-06012	SCREW, pan head	2	
18	92990-06100	WASHER, spring	2	
19	1LX-24181-00	DAMPER, locating 1	1	
20	2VN-24500-00	FUEL COCK ASSY 1	1	
21	4X8-24512-00	.GASKET	1	
22	4X8-24534-00	.SEAL, cock	1	
23	97801-03008	.SCREW, pan head	2	
24	90445-110F5	HOSE	1	
25	90467-10008	CLIP	2	
26	90501-062E7	SPRING, compression	1	
27	90202-06010	WASHER, plate	2	
28	90149-06011	SCREW	2	

FWD
2HG100-7230

D3

FIG. 23 FUEL TANK

REF. NO.	PART NO.	DESCRIPTION	Q'TY	REMARKS
29	23X-24184-00	DAMPER, locating 4	1	
30	90465-13154	CLAMP	1	



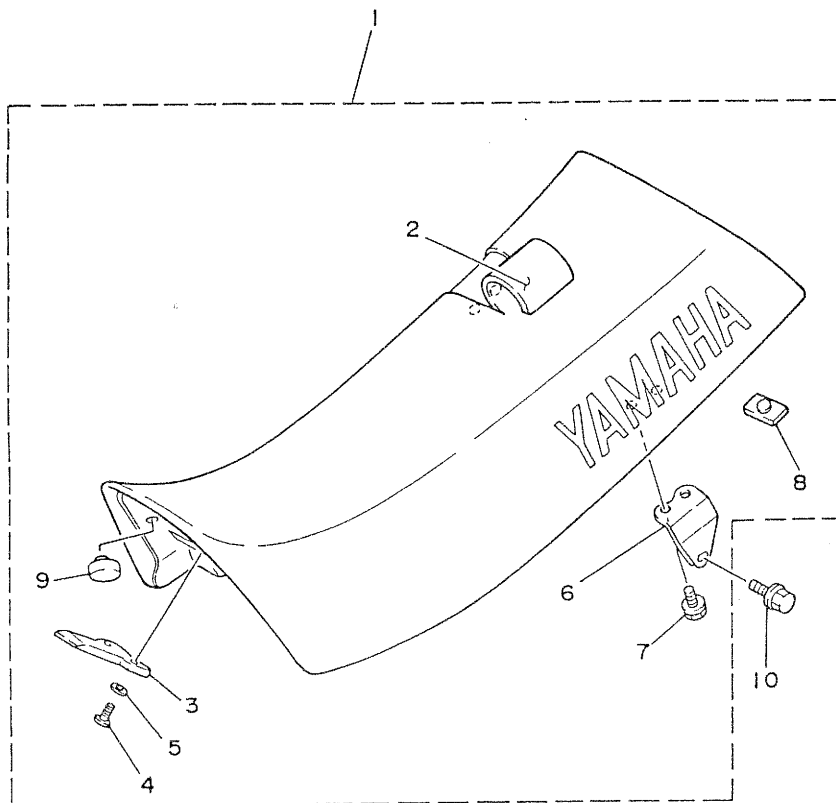
FWD

2HG100-7230

D4

FIG. 24 SEAT

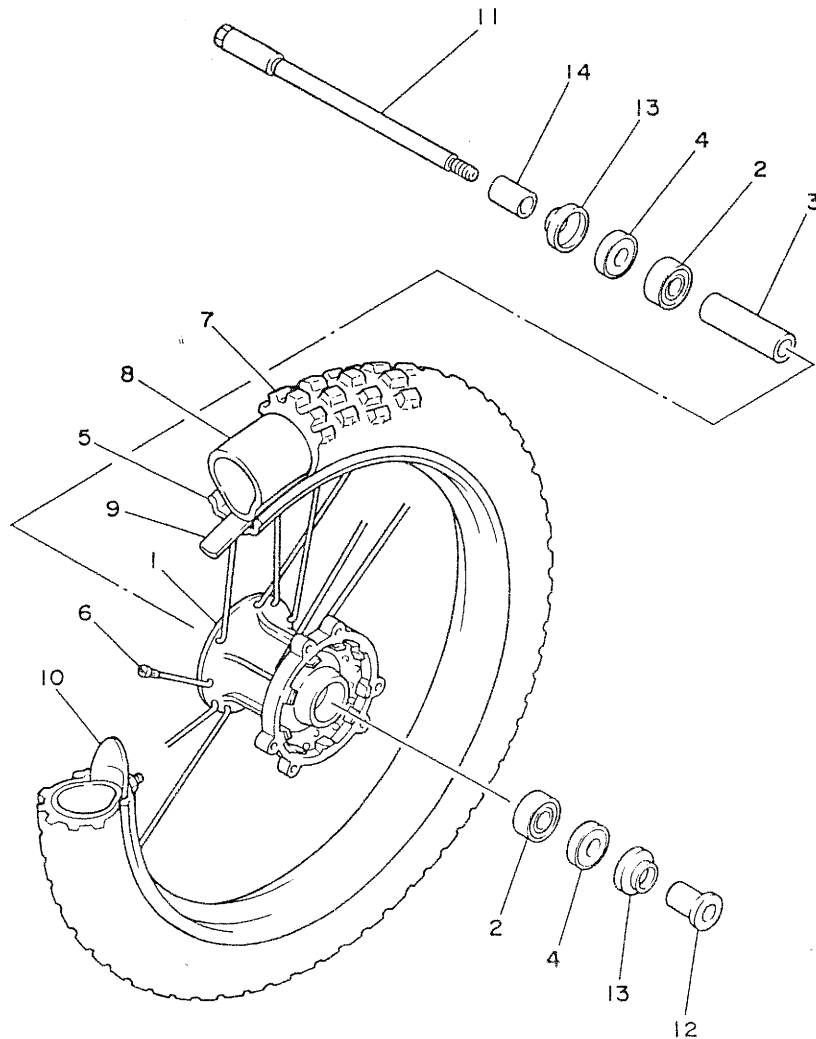
REF. NO.	PART NO.	DESCRIPTION	Q'TY	REMARKS
1	1LX-24770-00	SEMI-DOUBLE SEAT ASSY	1	CHAPPY RED
2	1LX-24731-00	.COVER, seat	1	CHAPPY RED
3	5X6-24748-10	.BRACKET, seat	1	
4	92501-06012	.SCREW, pan head	2	
5	92901-06600	.WASHER, plate	2	
6	1LX-24738-01	.BRACKET, seat	2	
7	95801-06012	.BOLT, flange	4	
8	509-24724-00	.DAMPER, seat	1	
9	107-24741-00	.PAD, seat	2	
10	95023-08016	BOLT, flange	2	



ILX010-6240

D5

FIG. 25 FRONT WHEEL



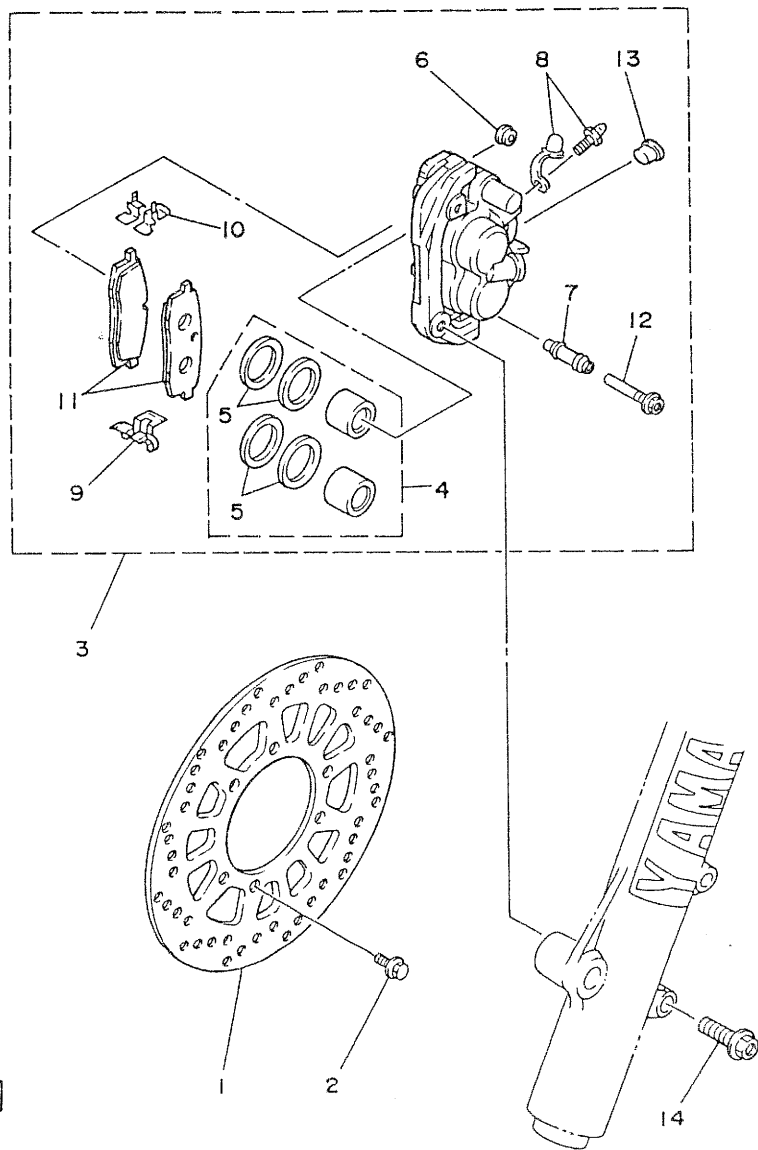
REF. NO.	PART NO.	DESCRIPTION	Q'TY	REMARKS
1	2HH-25111-00-98	HUB, front	1	LOW GLOSS BLACK
2	93306-20209	BEARING (B6202)	2	
3	90560-15240	SPACER	1	
4	93102-20281	OIL SEAL	2	
5	94416-21455	RIM (1.60-21)	1	
6	1LX-25104-00	SPOKE SET, front	1	
7	94108-215N7	TIRE	1	DUNLOP
8	94227-21123	TUBE (2.75-21)	1	BRIDGESTONE
9	94307-21145	BAND, rim (70-80/100-21)	1	DUNLOP
10	2J5-25394-01	SPACER, bead	1	
11	55U-25181-00	AXLE, wheel	1	
12	90387-157L9	COLLAR	1	
13	322-25118-00	COVER, hub dust	2	
14	90387-156R7	COLLAR	1	



2HG100-7250

D6

FIG. 26 FRONT BRAKE CALIPER

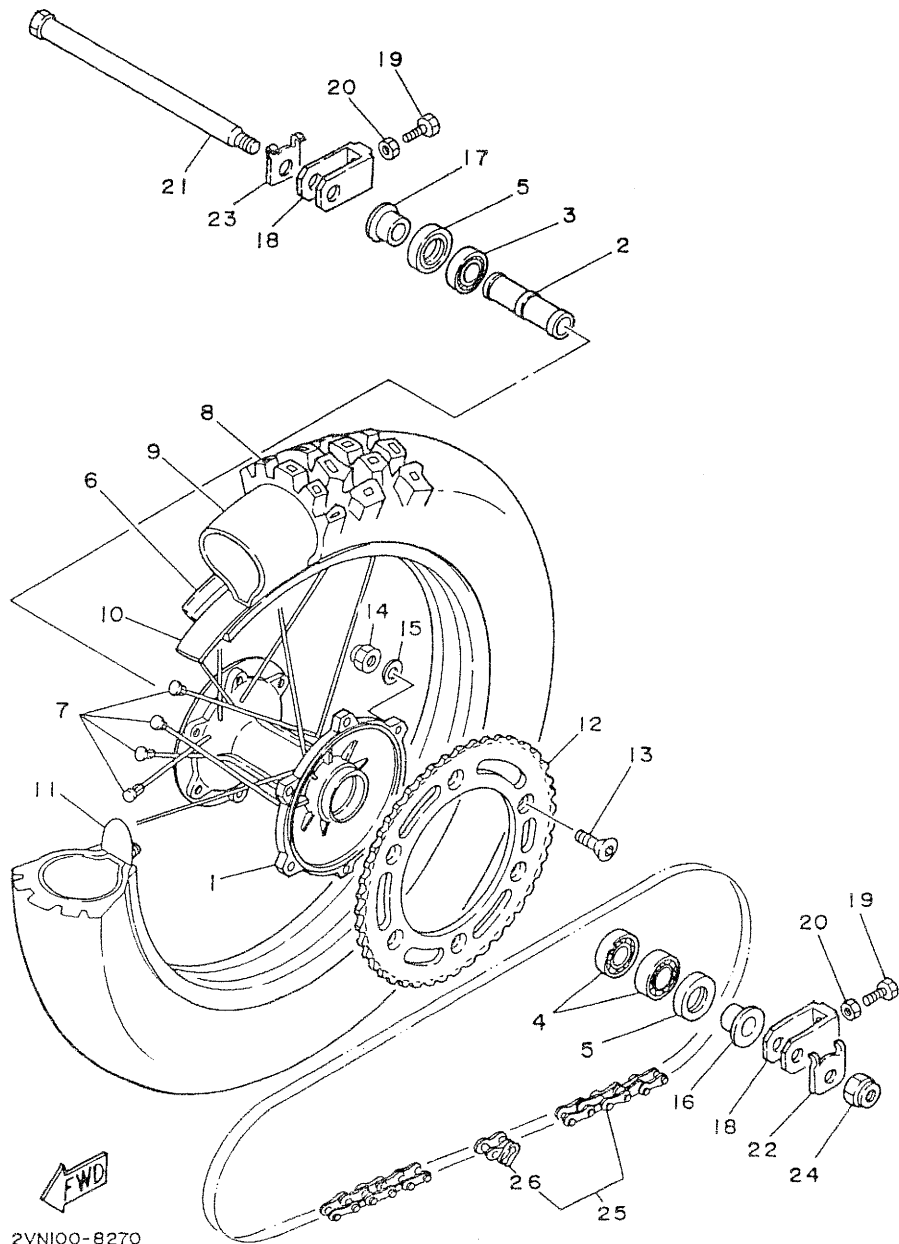


REF. NO.	PART NO.	DESCRIPTION	Q'TY	REMARKS
1	2VN-25831-00	DISC, brake (RIGHT)	1	
2	90109-06757	BOLT	6	
3	2HH-25810-00	CALIPER ASSY (RIGHT)	1	
4	56A-W0057-00	.PISTON ASSY, caliper	1	
5	56A-W0047-00	..CALIPER SEAL KIT	1	
6	5R2-25917-00	.BOOT, caliper	1	
7	56A-25937-00	.BOOT, 2	1	
8	51L-W0048-00	.BREED SCREW KIT	1	
9	56A-25919-00	.SUPPORT, pad	1	
10	56A-25919-10	.SUPPORT, pad	1	
11	2HH-W0045-00	.BRAKE PAD KIT, front	1	
12	56A-25926-00	.BOLT	1	
13	34X-25845-00	.CAP, indicator	1	
14	91011-08045	BOLT, flange	2	



1LX010-6260

D7



2VN100-8270

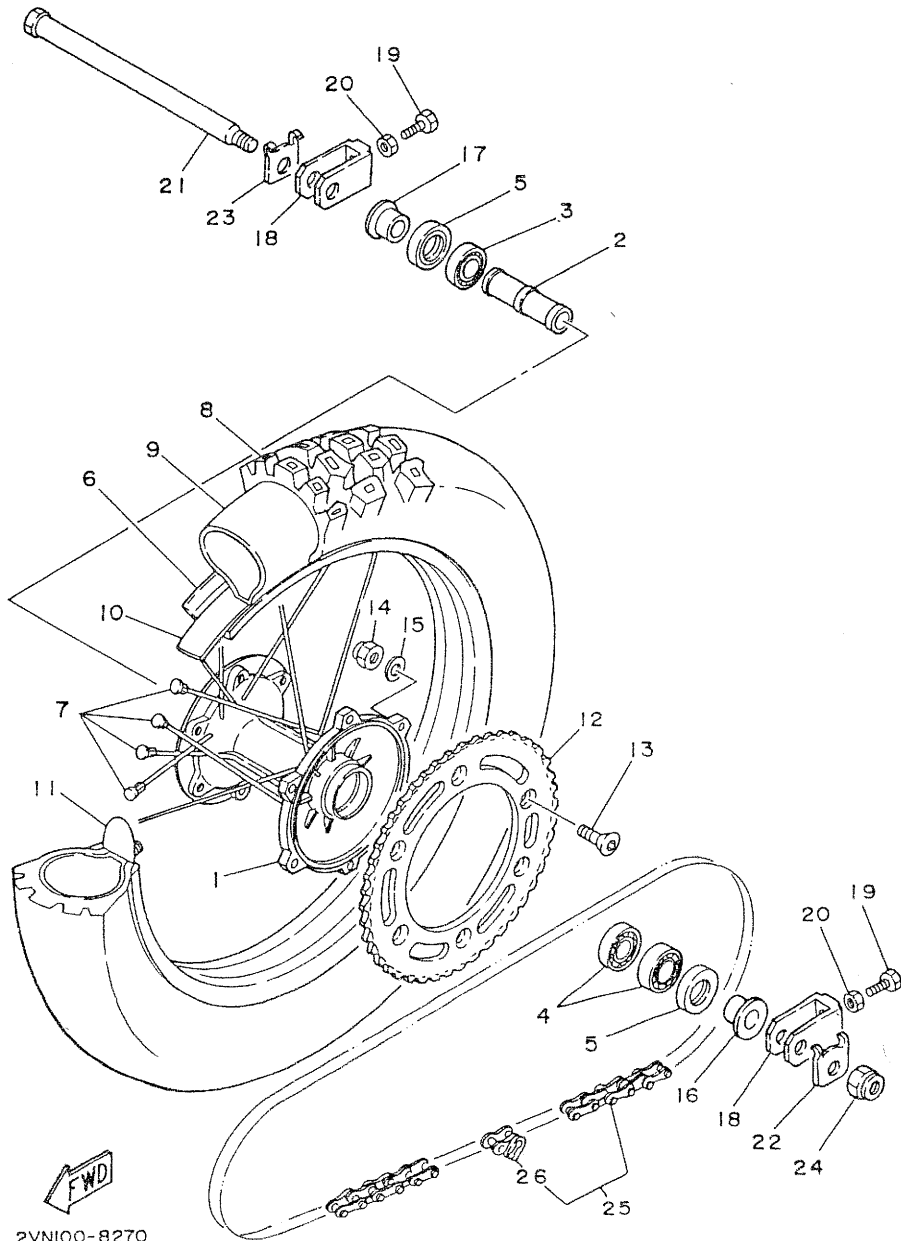
FIG. 27 REAR WHEEL

REF. NO.	PART NO.	DESCRIPTION	Q'TY	REMARKS
1	2VN-25311-00-98	HUB, rear	1	LOW GLOSS BLACK
2	90560-20278	SPACER	1	
3	93306-00418	BEARING	1	
4	93306-00406	BEARING (B6004Z)	2	
5	93106-28023	OIL SEAL	2	
6	94418-18452	RIM (1.85-18)	1	
7	2VN-25304-00	SPOKE SET, rear	1	
8	94110-187N3	TIRE	1	DUNLOP
9	94211-18176	TUBE (100-120/80-100-18)	1	DUNLOP
10	94309-18146	BAND, rim	1	DUNLOP
11	2X3-25394-00	SPACER, bead	2	
12	2HH-25449-00	SPROCKET, driven (49T)	1	STD
	39W-25444-00	SPROCKET, driven (44T)	1	AP
	39W-25445-00	SPROCKET, driven (45T)	1	AP
	39W-25446-00	SPROCKET, driven (46T)	1	AP
	39W-25448-00	SPROCKET, driven (48T)	1	AP
	39W-25450-00	SPROCKET, driven (50T)	1	AP
	39W-25452-00	SPROCKET, driven (52T)	1	AP
13	90109-08792	BOLT	6	
14	95611-08100	NUT, u	6	
15	90201-081A6	WASHER, plate	6	
16	90387-200H2	COLLAR	1	
17	90387-202U8	COLLAR	1	
18	56A-25388-01	PULLER, chain 1	2	
19	90101-08475	BOLT	2	
20	95303-08700	NUT	2	
21	1LX-25381-00	AXLE, wheel	1	
22	90209-21243	WASHER	1	

D8

FIG. 27 REAR WHEEL

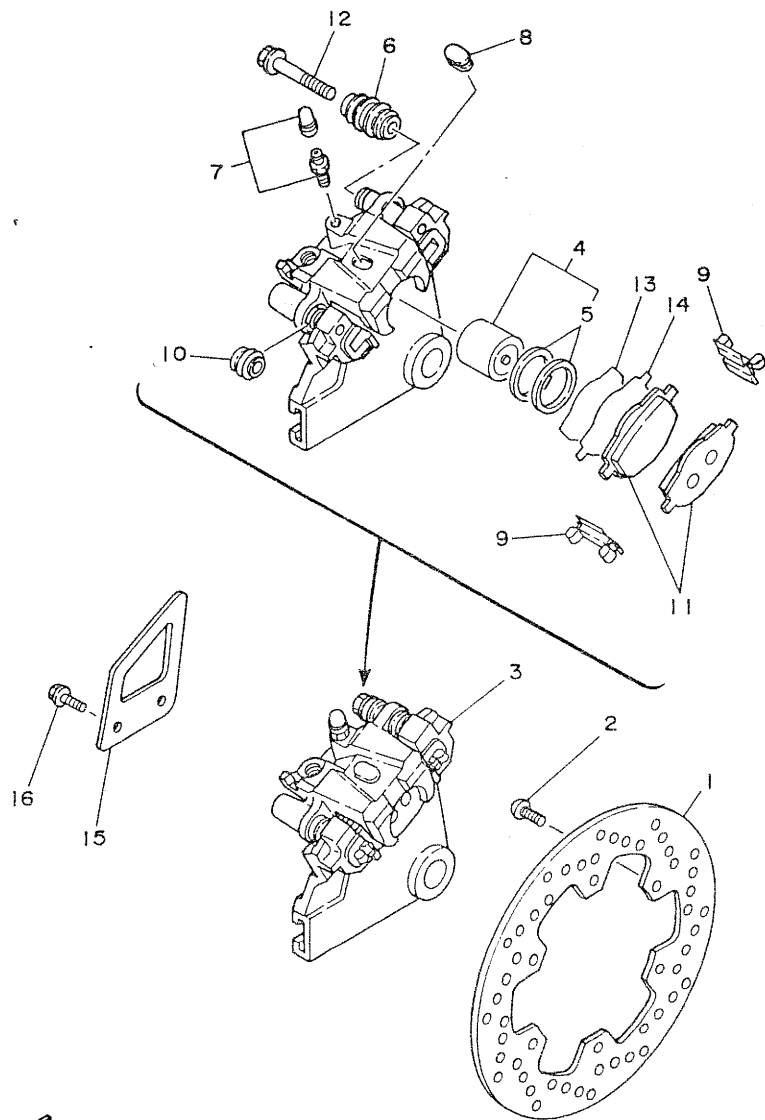
REF. NO.	PART NO.	DESCRIPTION	Q'TY	REMARKS
23	90209-18244	WASHER	1	
24	90185-18104	NUT, self-locking	1	
25	94581-13112	CHAIN	1	
26	94681-13001	.JOINT, chain	1	



2VN100-8270

D9

FIG. 28 REAR BRAKE CALIPER



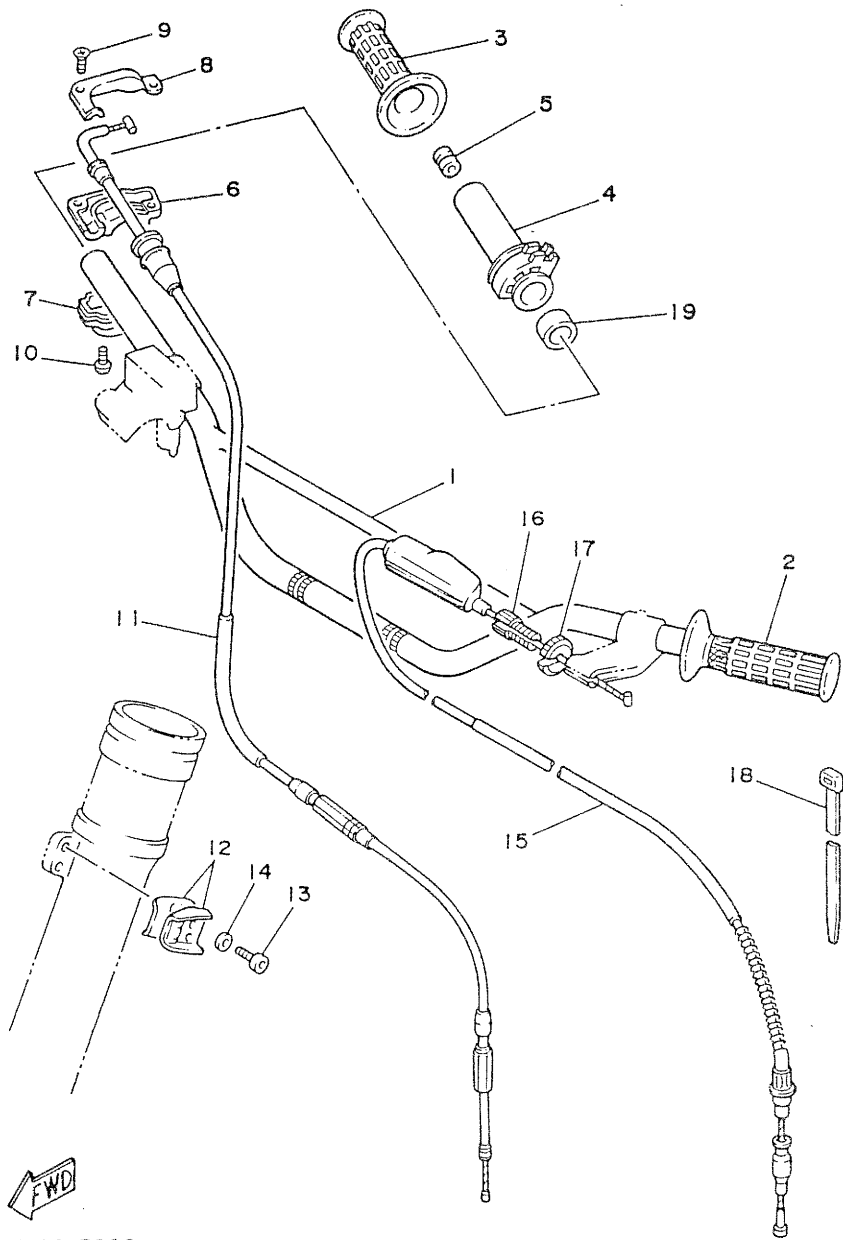
REF. NO.	PART NO.	DESCRIPTION	Q'TY	REMARKS
1	2VN-25831-50	DISC, brake	1	
2	90149-06251	SCREW	6	
3	2VN-25810-50	CALIPER ASSY	1	
4	2VN-W0057-00	.PISTON ASSY, caliper	1	
5	2NA-W0047-00	..CALIPER SEAL KIT	1	
6	34X-25937-00	.BOOT 2	1	
7	51L-W0048-00	.BREED SCREW KIT	1	
8	34X-25845-00	.CAP, indicator	1	
9	2KF-25919-00	.SUPPORT, pad	2	
10	5R2-25937-00	.BOOT 2	1	
11	2VN-W0046-00	.BRAKE PAD KIT, rear	1	
12	2GV-25926-00	.BOLT	1	
13	2KF-25827-00	.SHIM, caliper	1	
14	2KF-25828-00	.SHIM, caliper	1	
15	2KF-27491-00	PROTECTOR	1	
16	95023-06016	BOLT, flange	2	



2VNI00-8280

D10

FIG. 29 STEERING HANDLE. CABLE



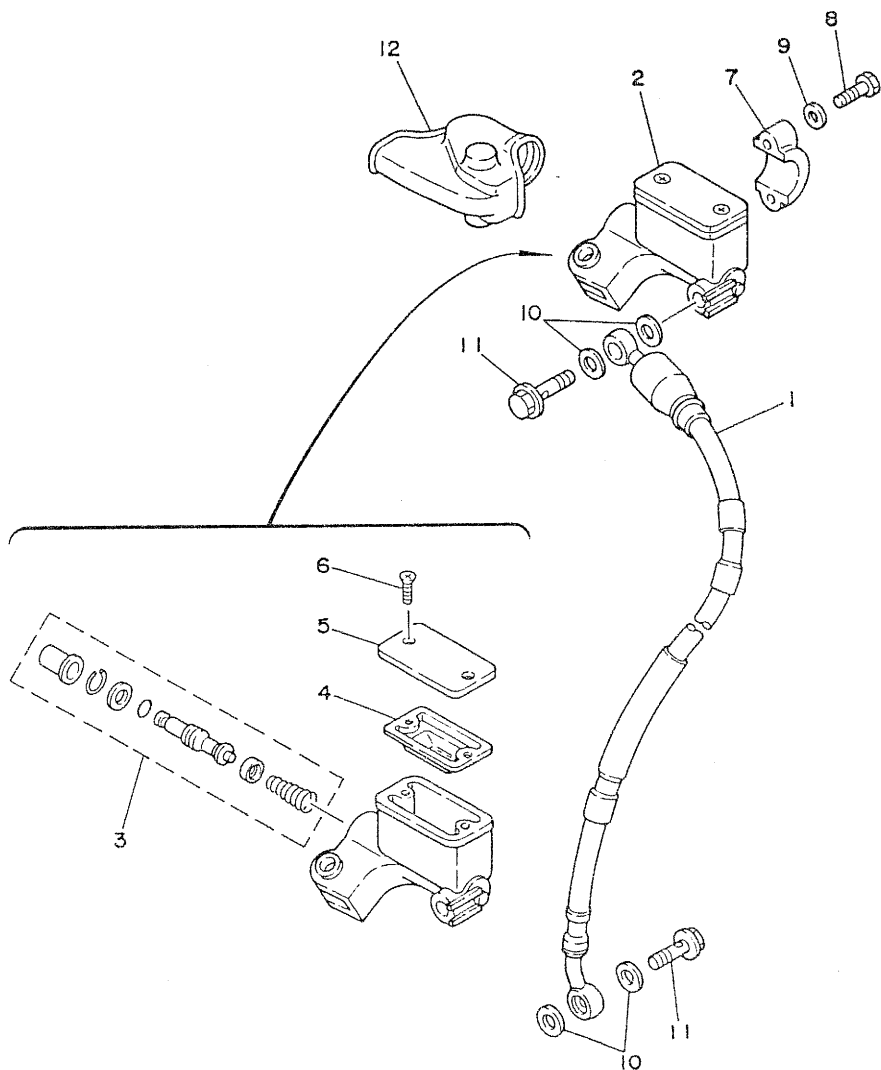
REF. NO.	PART NO.	DESCRIPTION	Q'TY	REMARKS
1	2VN-26111-00	HANDLEBAR	1	NEBURA GOLD
2	1LX-26241-01	GRIP (L.H)	1	
3	1LX-26242-01	GRIP (R.H)	1	
4	23X-26243-00	TUBE, throttle guide	1	
5	688-82535-00	GROMMET	1	
6	23X-26281-00	CAP, grip upper	1	
7	431-26282-01-98	CAP, grip lower	1	LOW GLOSS BLACK
8	5X2-2628H-01	CAP, wire	1	
9	98706-04012	SCREW, flat head	2	
10	98506-05016	SCREW, pan head	2	
11	2HG-26311-00	CABLE, throttle 1	1	
12	90465-16258	CLAMP	2	
13	91311-06016	BOLT	2	
14	92901-06600	WASHER, plate	2	
15	1LX-26335-00	CABLE, clutch	1	
16	90123-08090	BOLT	1	
17	90179-08401	NUT	1	
18	90465-13154	CLAMP	1	
19	90560-22281	SPACER	1	

2HG100-7280

D11

FIG. 30 FRONT MASTER CYLINDER

REF. NO.	PART NO.	DESCRIPTION	Q'TY	REMARKS
1	1RG-25872-10	HOSE, brake 1	1	
2	2VN-25850-00	MASTER CYLINDER ASSY	1	
3	56A-W0041-00	.CYLINDER KIT, master	1	
4	56A-25854-00	.DIAPHRAGM, reservoir	1	
5	2VN-25852-00	.CAP, reservoir	1	
6	98706-04012	.SCREW, flat head	2	
7	56A-25867-00	BRACKET, master cylinder	1	
8	97016-06025	BOLT	2	
9	92906-06600	WASHER, plate	2	
10	90201-10118	WASHER, plate	4	
11	90401-10034	BOLT, union	2	
12	56A-26372-00	COVER, handle lever 1	1	

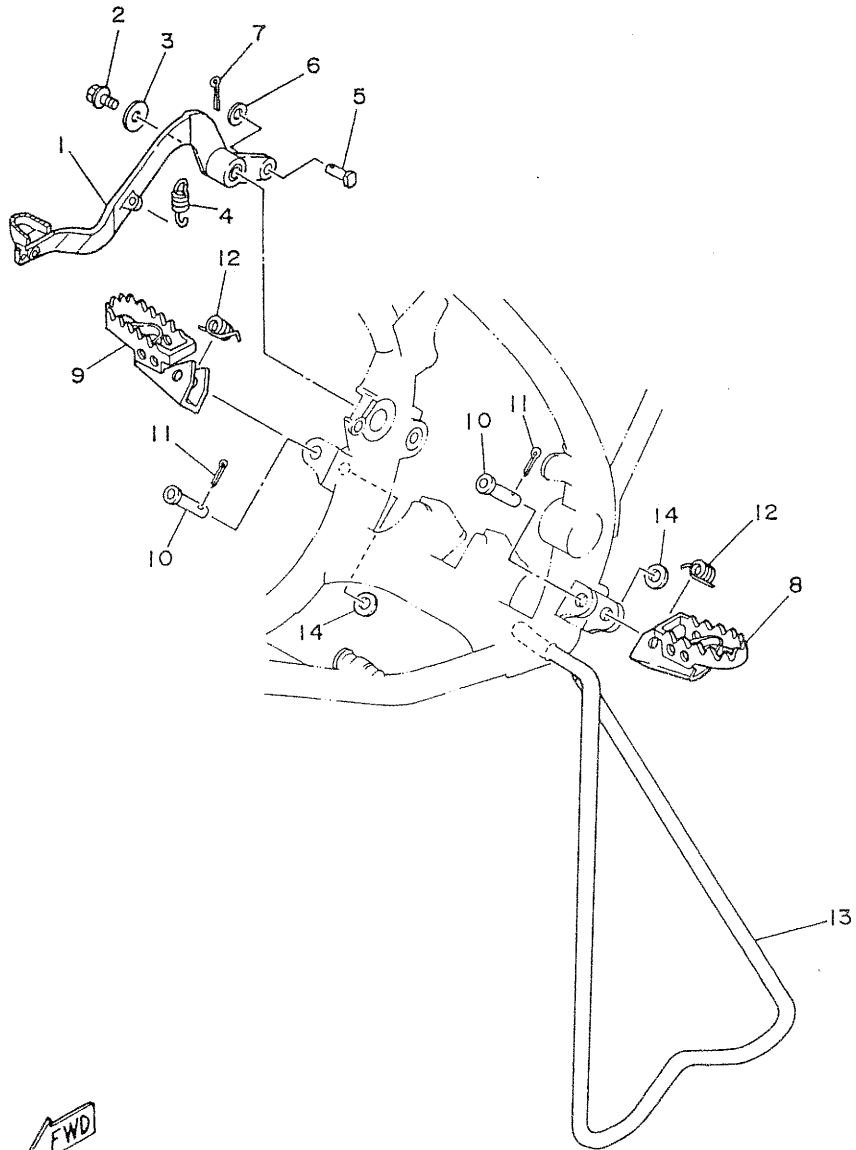


FWD

2HJ100-7260

D12

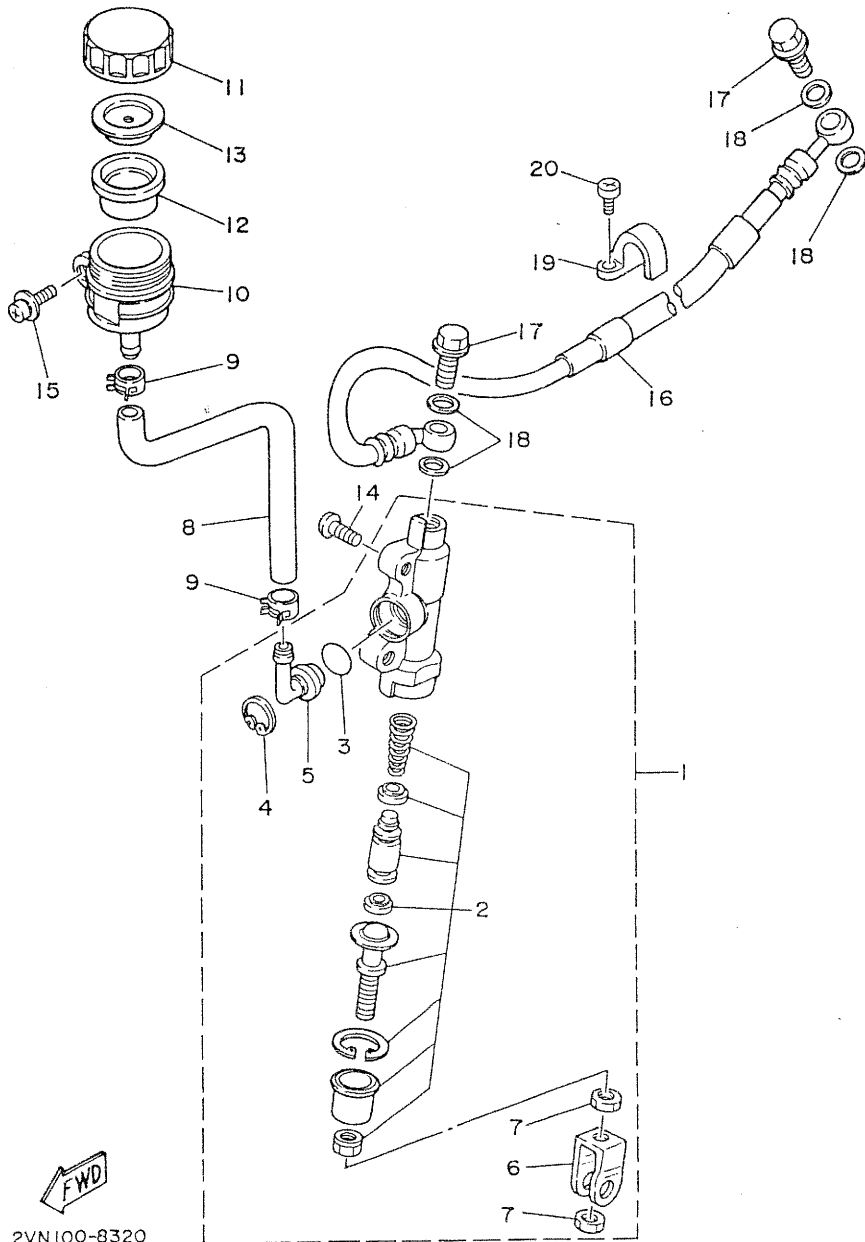
FIG. 31 STAND. FOOTREST



REF. NO.	PART NO.	DESCRIPTION	Q'TY	REMARKS
1	2VN-27200-01	PEDAL, brake	1	
2	92011-08012	SCREW	1	
3	90201-08730	WASHER, plate	1	
4	90506-14410	SPRING, tension	1	
5	90240-08120	PIN, clevis	1	
6	90201-08544	WASHER, plate	1	
7	91401-25015	PIN, cotter	1	
8	2VN-27411-00	FOOTREST 1	1	
9	2VN-27421-00	FOOTREST 2	1	
10	90240-10117	PIN, clevis	2	
11	91401-25015	PIN, cotter	2	
12	90508-20583	SPRING, torsion	2	
13	1LX-27311-00	STAND, side	1	
14	90201-10119	WASHER, plate	2	

FWD
2VN100-8310

D13



2VN100-8320

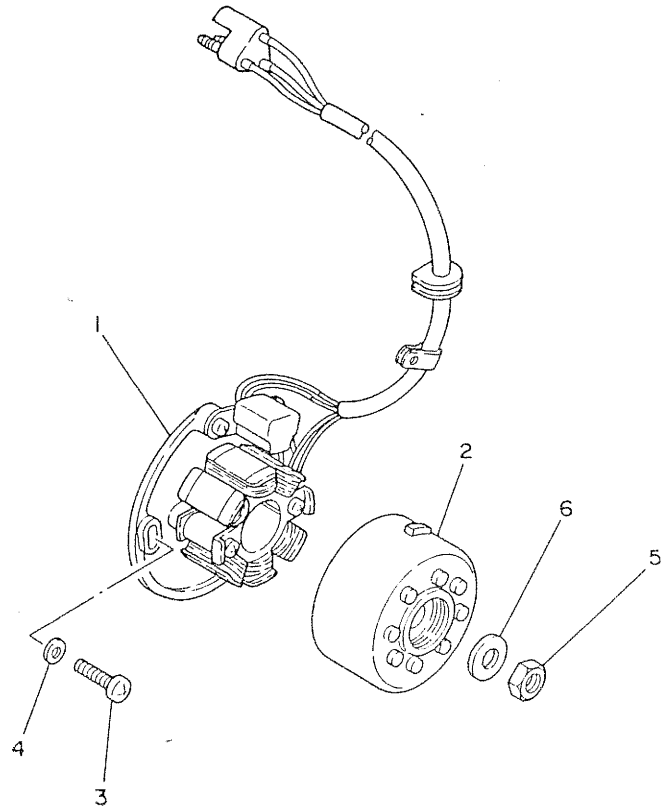
FIG. 32 REAR MASTER CYLINDER

REF. NO.	PART NO.	DESCRIPTION	Q'TY	REMARKS
1	2VN-25850-50	MASTER CYLINDER ASSY	1	
2	1FK-W0042-50	.CYLINDER KIT, master	1	
3	93210-15620	.O-RING	1	
4	2VN-25866-00	.CIRCLIP	1	
5	2VN-2582A-50	.JOINT	1	
6	2VN-27222-00	.JOINT	1	
7	95303-08600	.NUT	2	
8	2VN-25895-00	HOSE, reservoir	1	
9	90467-11044	CLIP	2	
10	2VN-25894-00	TANK, reservoir	1	
11	2VN-25852-50	CAP, reservoir	1	
12	2VN-25854-00	DIAPHRAGM, reservoir	1	
13	2VN-25855-00	BUSH, diaphragm	1	
14	92011-06016	SCREW	2	
15	90159-06056	SCREW, with washer	1	
16	2VN-25872-50	HOSE, brake 1	1	
17	90401-10034	BOLT, union	2	
18	90201-10118	WASHER, plate	4	
19	2VM-25876-00	HOLDER, brake hose 2	2	
20	98580-05010	SCREW, pan head	4	

D14

FIG. 33 GENERATOR

REF. NO.	PART NO.	DESCRIPTION	Q'TY	REMARKS
1	2VN-85510-K0	STATOR ASSY	1	
2	2VN-85550-K0	ROTOR ASSY	1	
3	92501-06020	SCREW, pan head	2	
4	92901-06600	WASHER, plate	2	
5	95311-10600	NUT	1	
6	90201-10774	WASHER, plate	1	

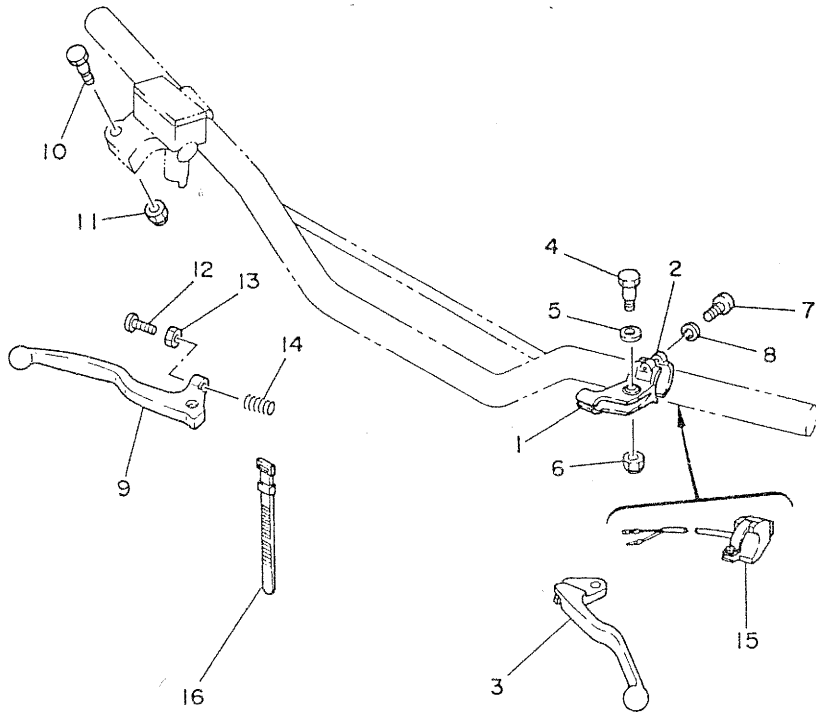


2VN100-8330

D15

FIG. 34 HANDLE SWITCH. LEVER

REF. NO.	PART NO.	DESCRIPTION	Q'TY	REMARKS
1	38V-82911-00	HOLDER, lever 1	1	
2	38V-82913-00	HOLDER, lever lower 1	1	
3	23X-83912-00	LEVER 1	1	
4	90109-06797	BOLT	1	
5	90201-082A9	WASHER, plate	1	
6	95606-06100	NUT, u	1	
7	98506-05018	SCREW, pan head	2	
8	92906-05100	WASHER, spring	2	
9	55Y-83922-00	LEVER 2	1	
10	90109-06577	BOLT	1	
11	95606-06100	NUT, u	1	
12	90149-06153	SCREW	1	
13	90170-06010	NUT	1	
14	90501-10312	SPRING, compression	1	
15	23X-83976-00	SWITCH, handle 1	1	
16	437-83936-00	BAND, switch cord	2	



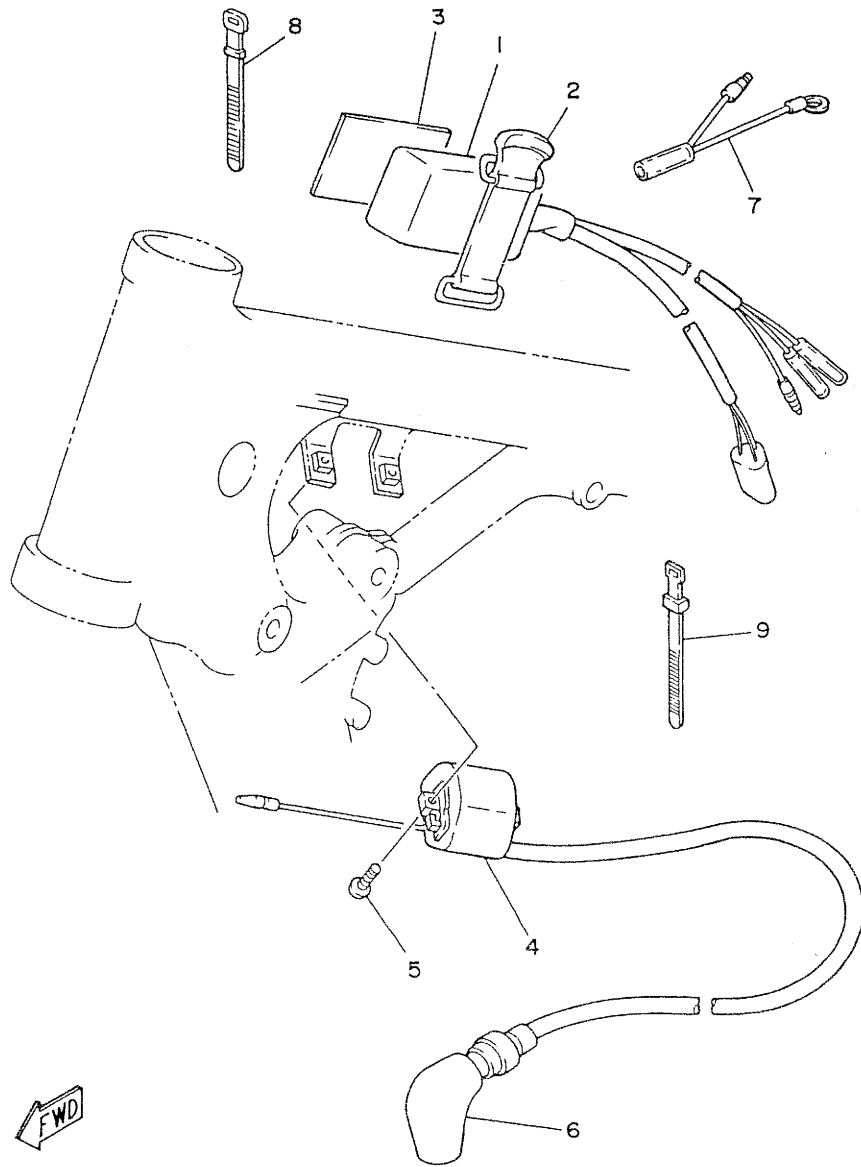
FWD

56A110-5320

E2

FIG. 35 ELECTRICAL 1

REF. NO.	PART NO.	DESCRIPTION	Q'TY	REMARKS
1	2VN-85540-K0	C.D.I. UNIT ASSY	1	
2	21V-21376-00	BAND, tool	1	
3	2K7-85547-00	DAMPER	1	
4	24X-82310-10	IGNITION COIL ASSY	1	
5	92502-06016	SCREW, pan head	2	
6	3R0-82370-20	PLUG CAP ASSY	1	UR
	1M1-82370-21	PLUG CAP ASSY	1	UR WITH NOISESUPPRESSOR
7	5X1-82519-01	WIRE, earth lead	1	
8	25G-83936-00	BAND, switch cord	1	
9	437-83936-10	BAND, switch cord	1	

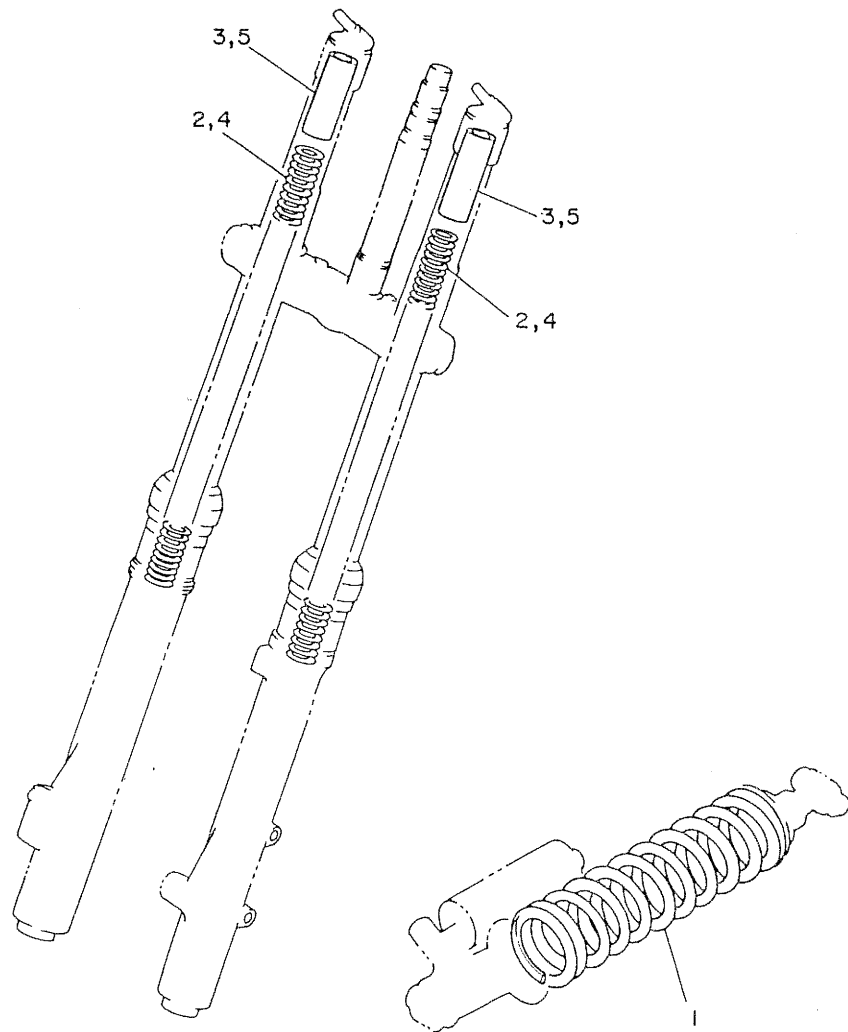


FWD

2VN100-8350

E3

FIG. 36 ALTERNATE 1 (CHASSIS)



REF. NO.	PART NO.	DESCRIPTION	Q'TY	REMARKS
1	1LX-22212-00-6W	SPRING (K=4.5)	1	AP NATIVE RED (SOFT)
	2HH-22212-20-6W	SPRING (K=5.0)	1	AP NATIVE RED (HARD)
2	2VN-23141-M0	SPRING, front fork (K=0.325)	2	} (SOFT) WITH SET
3	2VN-23118-L0	SPACER (L=78.5)	2	
4	2VM-23141-L0	SPRING, front fork (K=0.375)	2	} (HARD) WITH SET
5	2VM-23118-L0	SPACER (L=38.5)	2	



2HH100-7340

E4

FIG. 37 REPAIR KIT

REF. NO.	PART NO.	DESCRIPTION	Q'TY	REMARKS
1	1LX-11630-00	PISTON ASSY (STD)	1	AP
2	1LX-11631-00-94	.PISTON (STD)	1	
3	5X4-11611-00	.RING, piston (STD)	1	
4	137-11633-00	.PIN, piston	1	
5	4V2-11634-00	.CLIP, piston pin	2	
6	1LX-11630-10	PISTON ASSY (1ST O/S)	1	AP
7	1LX-11635-00	.PISTON (0.25MM O/S)	1	
8	5X4-11611-10	.RING, piston (0.25MM O/S)	1	
9	137-11633-00	.PIN, piston	1	
10	4V2-11634-00	.CLIP, piston pin	2	
11	1LX-11630-20	PISTON ASSY (2ND O/S)	1	AP
12	1LX-11636-00	.PISTON (0.50MM O/S)	1	
13	5X4-11611-20	.RING, piston (0.50MM O/S)	1	
14	137-11633-00	.PIN, piston	1	
15	4V2-11634-00	.CLIP, piston pin	2	
16	1LX-11630-30	PISTON ASSY (3RD O/S)	1	AP
17	1LX-11637-00	.PISTON (0.75MM O/S)	1	
18	5X4-11611-30	.RING, piston (0.75MM O/S)	1	
19	137-11633-00	.PIN, piston	1	
20	4V2-11634-00	.CLIP, piston pin	2	
21	2HG-11650-00	CONNECTING ROD ASSY	1	AP
22	2HG-11651-00	.ROD, connecting	1	
23	36F-11681-00	.PIN, crank 1	1	
24	90209-22071	.WASHER	2	
25	93310-522M4	.BEARING, cylindrical	1	
26	93310-216L2	.BEARING, cylindrical	1	

NUMERICAL INDEX

PART NO.	GRID NO.	PART NO.	GRID NO.	PART NO.	GRID NO.	PART NO.	GRID NO.	PART NO.	GRID NO.	PART NO.	GRID NO.
56A-W0041-00	D-12	1LX-11636-00	B- 5	24X-14107-33	B- 9	1LX-15121-10	B-12	2VN-21110-00-UJ	C- 6	2VN-23118-L0	C-14
1FK-W0042-50	D-14		E- 5	1LX-14112-20	B-10	3R3-15128-01	B-12	1HX-2135F-00	C-11		C-15
2HH-W0045-00	D- 7	1LX-11637-00	B- 5	1LX-14112-25	B- 9	1G8-15362-00	B-13	21V-21376-00	E- 3		E- 4
2VN-W0046-00	D-10		E- 5	1LX-14112-30	B-10	1LX-15383-00	C- 2	1LX-21419-00	C- 6	4H7-23119-00	C-14
2NA-W0047-00	D-10	2HG-11650-00	E- 5	500-14115-00	B- 9	2K7-15383-00	C- 2	1LX-21425-00	C- 6		C-15
56A-W0047-00	D- 7	2HG-11651-00	B- 5	1LX-14131-00	B- 9	2VN-15411-00	B-13	5X6-21511-10	C- 7	55Y-23126-M0	C-14
51L-W0048-00	D- 7		E- 5	1LX-14141-50	B- 9	2VN-15421-00	B-13	1LX-21611-00	C- 7		C-15
	D-10	36F-11681-00	B- 5	1LX-14141-52	B- 9	2VN-15431-00	B-13	50W-21631-00	C- 4	4V4-23125-L0	C-14
2VN-W0057-00	D-10		E- 5	1LX-14141-54	B- 9	1LX-15451-00	B-13	39X-21642-00	C- 7		C-15
56A-W0057-00	D- 7	5X5-11911-01	B- 4	193-14142-45	B- 9	1LX-15462-00	B-13	1LX-21711-01-98	C- 8	2VM-23126-L0	C-14
39W-W1132-00	B- 2	5X5-11912-01	B- 4	193-14142-50	B- 9	1LX-15618-00	B-14	24Y-2172A-00	C- 8	122-23129-00	C-14
1LU-W1441-00	B- 8	47X-11915-00	B- 2	193-14142-55	B- 9	1LX-15620-00	B-14	1LX-2172F-00	C- 8		C-15
2VN-Y113F-00	B- 2	5X4-11921-02	B- 4	137-14143-50-A0	B-10	1LX-15621-00	B-14	1LX-21721-01	C- 8	2VM-23136-L0	C-14
2VN-11111-00	B- 2	5X4-11922-00	B- 4	137-14143-52	B-10	1LX-15641-00	B-14	2VN-2173L-00	C- 8	2VN-2314A-L0	C-14
2VN-1131A-01	B- 2	1LX-11931-00	B- 4	137-14143-54	B-10	1LX-15651-00	B-14	2HG-21731-00	C- 8		C-15
5X4-1131N-00	B- 2	5X5-11937-00	B- 2	137-14143-56-A0	B-10	1LX-15660-00	B-14	2HG-2174F-00	C- 9	2VM-23141-L0	E- 4
2VN-11311-00	B- 2	5X4-11952-00	B- 4	137-14143-58-A1	B-10	1LX-16111-00	B-15	2VN-2174L-00	C- 8	2VN-23141-L0	C-14
1LX-11351-00	B- 2	24X-11953-01	B- 4	509-14145-00	B- 9	2VN-16150-00	B-15	2HG-21741-00	C- 8		C-15
2HG-11400-00	B- 5	2VN-11990-00	B- 4	1LX-14147-00	B- 9	1LX-16321-00	B-15	22W-21791-00	C- 9	2VN-23141-M0	E- 4
2HG-11412-00	B- 5	2VN-11992-00	B- 2	558-14147-00	B- 9	24X-16324-00	B-15	2VN-22110-00	C-10	4V4-23142-L0	C-14
2HG-11422-00	B- 5	2VN-11993-00	B- 3	1LX-14153-10	B- 9	2VN-16351-00	B-15	156-22127-00	C-10		C-15
5X4-11611-00	B- 5	1LX-11995-00	B- 3	802-14161-00	B- 9	2VN-16352-00	B-15	3R4-22129-00	C-10	2VM-23144-L0	C-14
	E- 5	1LX-1240A-00	B- 7	2HG-14185-00	B- 9	2VN-16357-00	B-15	1LX-22141-00	C-10		C-15
5X4-11611-10	B- 5	2VN-12422-00	B- 6	537-14186-00	B- 9	2VN-16358-00	B-15	1LX-22151-00	C-10	2VM-23145-L0	C-14
	E- 5	1LX-12428-00	B- 6	3Y3-14196-00	B- 9	2VN-16371-00	B-15	2VN-2217A-00	C-10		C-15
5X4-11611-20	B- 5	1LX-12450-00	B- 6	432-14197-00	B- 9	1LX-16380-00	B-15	2HG-2217F-00	C-11	4V4-23146-L0	C-14
	E- 5	1LX-12459-00	B- 6	1LX-14198-00	B- 9	2VN-17121-00	C- 2	2HG-2217G-00	C-11		C-15
5X4-11611-30	B- 5	1LX-12460-00	B- 7	2HH-14451-00	B- 8	2VN-17131-00	C- 2	2HH-22178-00	C- 6	3J2-23147-00	C-14
	E- 5	22W-12462-00	B- 7	39W-14452-00	C- 8	2VN-17151-00	C- 2	30X-22178-00	C- 6		C-15
1LX-11630-00	E- 5	24X-12469-00	B- 7	39X-14452-00	C- 8	2VN-17161-00	C- 2	2HH-2218A-00	C-11	4V4-23153-L0	C-14
1LX-11630-10	E- 5	24Y-12469-00	B- 7	2HG-14453-00	B- 8	2HG-17211-00	C- 2	4V4-22184-00	C- 6		C-15
1LX-11630-20	E- 5	1LX-12476-00	B- 7	39K-14457-00	B- 8	2HG-17221-00	C- 2	39W-22199-01	C-10	2HH-23158-L0	C-14
1LX-11630-30	E- 5	1LX-12477-00	B- 7	2HH-14458-00	B- 8	2HG-17231-00	C- 2	2VN-22201-00	C-12		C-15
1LX-11631-00-94	B- 5	1LX-1248A-00	B- 7	56A-14459-00	B- 8	2HG-17241-00	C- 2	2VN-22210-00-6W	C-12	2VM-2316A-L0	C-14
	E- 5	1LX-12481-00	B- 7	39X-14462-00	B- 8	2HG-17251-00	C- 2	23X-22211-00	C-12		C-15
1LX-11631-00-95	B- 5	1LX-12482-00	B- 7	2HH-14468-00	B- 8	2HG-17261-00	C- 2	1LX-22212-00-6W	E- 4	1LX-23167-L0	C-15
137-11633-00	B- 5	1LX-12483-01	B- 7	1LU-14477-00	B- 8	2VN-17411-00	C- 2	1LX-22212-20-6W	C-12	2VM-23170-L0	C-14
	E- 5	1LX-12485-00	B- 7	2HG-14610-01	B-11	137-17417-00-05	B-14	2HH-22212-20-6W	E- 4		C-15
	E- 5	353-13115-01	B-12	1LX-14613-00	B-11	2VN-17421-00	C- 2	2VN-22214-00	C-12	4V4-23171-L0	C-14
	E- 5	2VN-13565-00	B- 8	2HG-14614-00	B-11	1LX-18101-01	C- 5	1LX-22223-00	C-12		C-15
	E- 5	2VN-13610-00	B- 8	3M7-14615-00	B-11	1LX-18110-00	C- 5	1LX-22225-00	C-12	2VM-23173-L0	C-14
4V2-11634-00	B- 5	1RX-13613-00	B- 8	2HG-1469A-00	B-11	3R4-18140-00	C- 4	2VN-23102-L0	C-14		C-15
	E- 5	2VN-13616-00	B- 8	39X-14747-00	B-11	1LX-18511-00	C- 4	2VN-23103-L0	C-14	2VN-23185-L0	C-14
	E- 5	80L-13621-00	B- 8	2VN-14753-00	B-11	2VN-18512-00	C- 4	2VM-23110-L0	C-14		C-15
	E- 5	24X-1410A-00	B- 9	24X-14771-00	B-11	1LX-18513-00	C- 4		C-15	4V4-23188-L0	C-14
	E- 5	2VN-14101-00	B- 9	565-14771-00	B-11	1LX-18531-00	C- 4	2VM-23111-L0	C-14		C-15
1LX-11635-00	B- 5	40T-14103-00	B- 9	1LX-1490J-00	B- 9	1LX-18535-00	C- 4		C-15	2HG-2319U-00	C-13
	E- 5	1LX-14104-00	B- 9	1LX-15111-10	B-12	1LX-18540-00	C- 4	2VM-23118-L0	E- 4	23X-23190-L0	C-14

NUMERICAL INDEX

PART NO.	GRID NO.	PART NO.	GRID NO.	PART NO.	GRID NO.	PART NO.	GRID NO.	PART NO.	GRID NO.	PART NO.	GRID NO.
23X-23190-L0	C-15	39W-25452-00	D- 8	2KF-27491-00	D-10	90159-05100	C- 8	90201-10119	D-13	90387-152F2	B- 4
43M-23191-L0	D- 2	2HH-25810-00	D- 7	1LU-28100-00	C- 6		C- 8	90201-106F2	C-11	90387-156R7	D- 6
43M-23192-L0	D- 2	2VN-25810-50	D-10	24X-82310-10	E- 3	90159-05159	B-15	90201-10774	D-15	90387-157L9	D- 6
2HG-23340-L0-39	C-15	2VN-2582A-50	D-14	1M1-82370-21	E- 3	90159-06013	C- 8	90201-120E6	C-12	90387-164N2	C-10
3R4-23389-00	C-13	2KF-25827-00	D-10	3R0-82370-20	E- 3		C- 8	90201-14740	C-11	90387-164N3	C-10
5Y3-23393-00	C-15	2KF-25828-00	D-10	5X1-82519-01	E- 3	90159-06056	D-14	90201-154E9	B- 4		C-11
2VN-23395-00	C-13	2VN-25831-00	D- 7	688-82535-00	D-11	90159-06084	B-13		B- 4	90387-167R4	C-11
2HG-23416-00	C-13	2VN-25831-50	D-10	38V-82911-00	E- 2	90170-06010	E- 2	90201-154F5	B- 4	90387-167R5	C-10
2HG-23435-00-98	C-13	34X-25845-00	D- 7	38V-82913-00	E- 2	90170-10372	C-14	90201-154F6	B- 4	90387-167B1	B-12
1E6-23441-00	C-13		D-10	23X-83912-00	E- 2		C-15	90201-15701	C- 2	90387-200H2	D- 8
5X6-23485-11	C-13	2VN-25850-00	D-12	55Y-83922-00	E- 2	90170-14171	B-15	90201-164H4	C-10	90387-202A0	C- 3
43M-23489-L0	D- 2	2VN-25850-50	D-14	25G-83936-00	E- 3	90176-08026	B- 2		C-11	90387-202U8	D- 8
1LX-24110-00	D- 3	2VN-25852-00	D-12	437-83936-00	C- 7	90179-08401	D-11	90201-171G4	B-14	90401-10034	D-12
5X6-2412F-00	D- 3	2VN-25852-50	D-14		E- 2	90179-08491	B- 2	90201-174F7	B-15		D-14
24X-24144-00	D- 3	2VN-25854-00	D-14	437-83936-10	C- 6	90179-10544	C-10		B-15	90430-06016	B-13
23X-24173-00	D- 3	56A-25854-00	D-12		E- 3	90179-12373	B-15	90201-22555	C- 2	90430-06166	B- 6
1LX-24181-00	D- 3	2VN-25855-00	D-14	23X-83976-00	E- 2	90179-16226	C- 3		C- 2	90430-12038	B-12
22W-24181-00	C- 8	2VN-25866-00	D-14	2VN-85510-K0	D-15	90179-24542	C-13	90201-34683	C- 4	90445-08376	B-12
23X-24184-00	D- 4	56A-25867-00	D-12	2VN-85540-K0	E- 3	90179-28543	C-13	90202-06010	D- 3	90445-09100	D- 3
2VN-24244-00	C- 8	1RG-25872-10	D-12	2K7-85547-00	E- 3	90185-10115	C-12	90202-08022	C- 6	90445-110F5	D- 3
2VN-24245-00	C- 8	2VN-25872-50	D-14	2VN-85550-K0	D-15	90185-10120	C-12	90209-06290	B-12	90446-09079	B- 7
2VN-24500-00	D- 3	2VM-25876-00	D-14	90101-08475	D- 8	90185-14112	C-11	90209-18135	C- 2	90450-28014	B- 7
4X8-24512-00	D- 3	2VN-25894-00	D-14	90105-06138	C- 7	90185-16127	C-10		C- 2	90460-12268	B- 7
4X8-24534-00	D- 3	2VN-25895-00	D-14	90105-08449	C- 6	90185-18104	D- 9	90209-18244	D- 9	90460-51109	B- 8
5X7-24611-01	D- 3	5R2-25917-00	D- 7	90105-08463	D- 2	90201-057K1	B- 4	90209-21243	D- 8	90460-68199	B- 8
5X7-24612-00	D- 3	2KF-25919-00	D-10	90109-06551	B-11	90201-06060	B-14	90209-22071	E- 5	90465-13154	D- 4
509-24724-00	D- 5	56A-25919-00	D- 7	90109-06577	E- 2	90201-06067	C-10	90209-22292	B- 5		D-11
1LX-24731-00	D- 5	56A-25919-10	D- 7	90109-06757	D- 7	90201-06070	D- 3	90215-14263	B-15	90465-16258	D-11
1LX-24738-01	D- 5	2GV-25926-00	D-10	90109-06797	E- 2	90201-063A5	C- 8	90215-20261	C- 3	90467-09006	B- 7
107-24741-00	D- 5	56A-25926-00	D- 7	90109-08792	D- 8	90201-06570	B- 7	90240-08120	D-13	90467-10008	D- 3
5X6-24748-10	D- 5	34X-25937-00	D-10	90109-102E6	C-12		B- 7	90240-10117	D-13	90467-11044	D-14
1LX-24770-00	D- 5	5R2-25937-00	D-10	90109-10704	C-12		C- 7	90280-03045	B- 5	90468-26048	B-14
1LX-25104-00	D- 6	56A-25937-00	D- 7	90109-145E4	C-11	90201-06571	C- 8	90282-05038	B- 5	90480-15064	B- 7
2HH-25111-00-98	D- 6	2VN-26111-00	D-11	90109-145E5	C-11		C- 8	90340-12095	B-12	90480-18276	B- 7
322-25118-00	D- 6	1LX-26241-01	D-11	90116-08318	B- 2		C-13	90380-15104	B- 4	90480-18354	D- 3
55U-25181-00	D- 6	1LX-26242-01	D-11	90116-08388	B- 2	90201-08087	B- 2	90380-16056	C-10	90501-062E7	D- 3
2VN-25304-00	D- 8	23X-26243-00	D-11	90116-08392	B- 2	90201-081A6	C- 6	90381-08002	B- 6	90501-10312	E- 2
2VN-25311-00-98	D- 8	5X2-2628H-01	D-11	90116-08394	B- 2		D- 8	90381-16060	C-10	90501-12081	B-14
1LX-25381-00	D- 8	23X-26281-00	D-11	90119-06042	C- 7	90201-082A9	E- 2	90387-061M0	C- 8	90501-210F3	B-15
56A-25388-01	D- 8	431-26282-01-98	D-11	90119-06056	B- 8	90201-085E6	C- 6	90387-06387	D- 3	90501-240E7	B- 4
2J5-25394-01	D- 6	2HG-26311-00	D-11	90119-06063	C- 7	90201-085I2	B- 6	90387-06681	C- 7	90504-03033	B- 8
2X3-25394-00	D- 8	1LX-26335-00	D-11	90119-06081	B- 8	90201-08544	D-13	90387-07392	B- 7	90506-14410	D-13
39W-25444-00	D- 8	56A-26372-00	D-12	90122-06025	B- 8	90201-08730	D-13	90387-07573	B- 7	90507-20030	B-11
39W-25445-00	D- 8	2VN-27200-01	D-13	90123-08090	D-11	90201-08753	C- 6	90387-086N4	C- 6	90508-20583	D-13
39W-25446-00	D- 8	2VN-27222-00	D-14	90149-06011	D- 3	90201-08784	B- 6	90387-101U3	B-11	90508-26700	B-14
39W-25448-00	D- 8	1LX-27311-00	D-13	90149-06153	E- 2	90201-100E9	C-12	90387-102F3	B- 2	90508-26731	C- 4
2HH-25449-00	D- 8	2VN-27411-00	D-13	90149-06251	D-10	90201-10118	D-12	90387-126H8	C-12	90508-32535	C- 5
39W-25450-00	D- 8	2VN-27421-00	D-13	90152-06010	B-14		D-14	90387-127G8	C-12	90560-08213	B- 4

NUMERICAL INDEX

PART NO.	GRID NO.	PART NO.	GRID NO.	PART NO.	GRID NO.	PART NO.	GRID NO.	PART NO.	GRID NO.	PART NO.	GRID NO.
90560-12280	C- 5	92901-06600	B- 7	93211-07720	B- 2	94416-21455	D- 6	98506-05014	B- 3		
90560-15240	D- 6		B- 8	93300-60814	B- 4	94418-18452	D- 8	98506-05016	D-11		
90560-17279	B-14		B-11			94581-13112	D- 9	98506-05018	E- 2		
90560-17335	B-15		D- 3	93300-60816	C- 6	94681-13001	D- 9	98511-04012	B- 9		
90560-20278	D- 8		D- 5	93306-00004	B-15	94701-00324	B- 2	98580-05010	D-14		
90560-22281	D-11		D-11	93306-00406	D- 8	94703-00325	B- 2	98706-04012	D-11		
91002-08012	C- 6		D-15	93306-00418	D- 8	95021-08020	B-11		D-12		
91002-08045	C-10	92901-08200	C-10	93306-20209	D- 6	95023-06016	C- 8	98980-06020	D- 3		
91011-08040	C- 6	92902-04100	B- 9	93306-30309	C- 2		D-10	99001-07600	B- 6		
91011-08045	D- 7	92906-05100	E- 2	93306-30411	C- 2	95023-08016	D- 5	99510-10114	B- 2		
91011-08055	C- 6	92906-06600	B-13	93306-37204	B- 5	95023-08045	C- 6		B- 2		
91011-08095	C- 6		C- 8	93310-216L2	B- 5	95303-08600	D-14	99510-12016	B-12		
91011-10016	C-10		D-12		E- 5	95303-08700	D- 8	99530-10014	B-13		
91021-08040	C-13	92990-03100	B- 8	93310-323T6	B-15	95311-10600	D-15				
91311-06016	D-11	92990-06100	B-11	93310-522M4	B- 5	95601-05100	B- 4				
91316-04006	B- 4		B-11		E- 5		B- 8				
91316-05012	B-12		B-11	93311-31567	C- 3	95601-08200	C- 6				
91316-06035	B-12		C- 8	93311-41530	C- 2		C- 6				
91316-06045	B-12		C- 8	93315-22045	C-11	95601-14200	C-11				
91316-06055	B-12		C- 9	93315-22046	C-10	95602-08200	C- 6				
91316-06060	B-12		C- 9	93317-22262	C-10		C-10				
91316-06065	B-12		C-15	93317-22263	C-10	95606-06100	E- 2				
91401-25015	D-13		D- 3	93332-00067	C-13		E- 2				
	D-13		D- 3	93332-00068	C-13	95611-08100	D- 8				
92011-06016	D-14		D- 3	93342-22208	C-10	95701-08500	D- 2				
92011-08012	D-13	92990-08100	B-11	93399-99927	C-12	95801-06012	D- 5				
92501-06010	B-11	93102-17263	B-14	93410-22039	C- 2	95811-08035	C-13				
92501-06012	C-13	93102-20281	D- 6		C- 2	95816-06025	B- 6				
	D- 3	93102-22363	B- 5	93440-15012	B-14	97001-06012	C- 9				
	D- 5	93102-26042	C- 2		C- 2	97001-06020	B- 7				
92501-06014	C- 8	93103-10147	B- 6	93440-30113	C-12		B- 8				
	C- 8	93103-32099	B- 5	93450-28063	C-11	97001-06030	B- 7				
	D-15	93104-08040	B- 4		C-11	97013-06035	D- 3				
92501-06020	B-12	93104-18077	C-12	93507-32031	B-14	97016-06025	D-12				
92501-08010	E- 3	93106-22019	C-10	93521-64032	B- 4	97021-06012	B-14				
92502-06016	B-13	93106-28023	D- 8	93603-13185	B- 4	97021-06025	C- 5				
92506-06008	B-13	93108-35004	C-10	93603-14179	B- 4	97313-06016	B-11				
92506-06016	C- 8	93109-12012	B-15	93603-22028	B- 6		B-11				
	B- 6		C- 5	93604-10011	B- 6		D- 3				
92506-06025	B-13	93109-20029	C-10	9383A-12017	C- 3	97313-06055	C- 9				
	B-13		C-11	9383A-13031	C- 3	97801-03008	D- 3				
92506-06035	B-13	93210-09192	B- 2	9383A-14054	C- 3	98001-06020	C-10				
92506-06045	B- 6	93210-14104	B-13	94108-215N7	D- 6	98501-03008	B- 8				
92506-06060	B-13	93210-15151	B-14	94110-187N3	D- 8	98501-04006	C-12				
92516-06030	C- 2	93210-15620	D-14	94211-18176	D- 8	98503-04014	B- 9				
92701-06012	C- 2	93210-27244	B- 2	94227-21123	D- 6	98506-04018	D- 2				
	B- 4	93210-42728	B-11	94307-21145	D- 6	98506-05008	B- 2				
92901-05600	B- 7	93210-65721	B- 2	94309-18146	D- 8	98506-05012	B- 2				