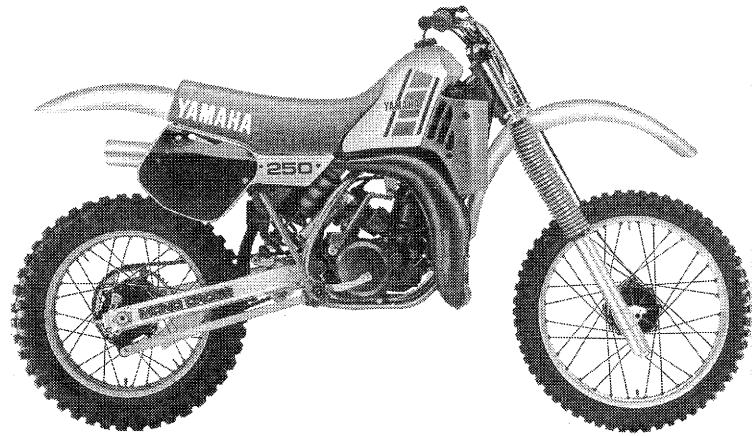


YAMAHA

PARTS CATALOGUE

YZ250'84 (43N)

1443N-300E1



FOREWORD

This Parts Catalogue is related to the parts in use for the Yamaha YZ250 '84 (43N).

When you are ordering replacement parts for the YZ250 '84 (43N), refer to this Parts Catalogue and quote both part numbers and part names correctly.

1. Modifications or additions which have been made after issue of the Parts Catalogue will be announced in the Yamaha Parts News.

It is advisable that according to the Yamaha Parts News you make necessary corrections to the Parts Catalogue on hand to keep it up-to-date.

2. Abbreviations

The following abbreviations are used in this Parts Catalogue.

- U.R. Use size (thickness) and/or number as required.
- U.N. Use as many as you need.
- A.P. Alternate Parts
- L.M. Local Made
- F# Frame No. (Applicable machine No.)

3. The parts marked with (*) in the parts number column of this Catalogue are not supplied with by Yamaha, those have to be found locally.

4. Parts, which are to be supplied in the form of assemblies, are listed with an indention of one letter's space, and a dot (.) is put against the name of each part.

EXAMPLE CARBURETOR ASS'Y
 . JET, pilot
 . NOZZLE, main

5. Indication of No. of constituent parts for assembly

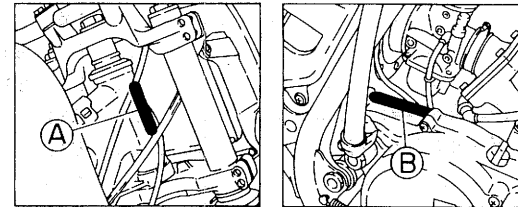
The numeral appearing to the right of each constituent part under the description indicates the quantity of such parts for each individual assembly unit.

EXAMPLE

Part No.	Description	Q'ty	Remarks
2F5-83310-60	FRONT FLASHER LIGHT ASS'Y	2	
115-83311-60	. BULB (6V-18W)	1	
1M1-83309-60	. REFLECTOR	1	

6. Initial Serial No. and Color Code

(A) Frame Serial No.	43N-000101 and following
(B) Engine Serial No.	43N-000101 and following



Color Code	Color Name	Abbreviate
36	Clean White	W

7. Applicable colors of graphics are represented in the "Remarks" column by the letter(s) appropriately picked out of the full word(s) showing such colors.

EXAMPLE

Part No.	Description	Q'ty	Remarks
2N4-24110-00-X5	FUEL TANK COMP.	1	MAXIM RED
3J1-24240-10	. GRAPHIC, fuel tank set	1	for MXR

CONTENTS

ENGINE

Cylinder	B2 ~ B3
Governor	B4
Crankshaft · Piston	B5
Water Pump	B6
Radiator · Hose	B7 ~ B8
Intake	B9 ~ B10
Carburetor 1 (For Europe)	B11
Carburetor 2 (Except Europe)	B12
Exhaust	B13
Crankcase	B14
Crankcase Cover 1	B15
Starter	C2
Clutch	C3
Transmission	C4 ~ C5
Shift Cam · Fork	C6
Shift Shaft	C7

CHASSIS

Frame	C8
Fender	C9
Side Cover	C10
Rear Arm	C11 ~ C12
Rear Suspension	C13 ~ C15
Steering	D2
Front Fork 1 (For Oceania)	D3 ~ D5
Front Fork 2 (Except Oceania)	D6 ~ D8
Fuel Tank	D9
Seat	D10
Front Wheel	D11 ~ D12

Rear Wheel	D13 ~ D14
Steering Handle · Cable	D15
Stand · Footrest	E2
Generator	E3
Handle Switch · Lever	E4
Electrical 1	E5

ALTERNATE PARTS

Alternate (Chassis)	E6
---------------------------	----

REPAIR KIT

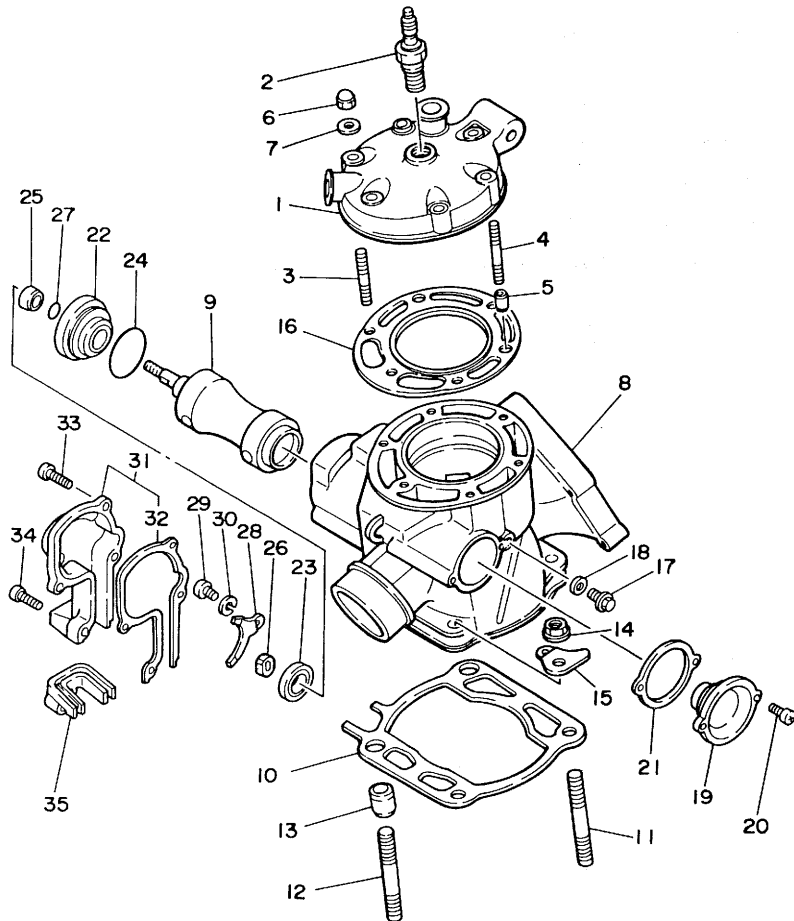
Repair Kit	E7 ~ E8
------------------	---------

INDEX

Numerical Index	L1 ~ L4
Parts Name Index	M1 ~ M6

FIG. 1 CYLINDER

REF. NO.	PART NO.	DESCRIPTION	Q'TY	REMARKS
1	39X-11111-00	HEAD, cylinder 1	1	
2	*	PLUG, spark (CHAMPION QN86)	1	UR LM
	*	PLUG, spark (CHAMPION N-86)	1	UR LM
3	90116-08394	BOLT, stud	4	
4	90116-08392	BOLT, stud	2	
5	91810-03014	PIN, dowel	2	
6	90176-08026	NUT, crown	6	
7	90201-08087	WASHER, plate	6	
8	39X-11311-00	CYLINDER 1	1	
9	39X-1131A-00	VALVE 1	1	
10	39X-11351-00	GASKET, cylinder	1	
11	90116-10313	BOLT, stud	2	
12	90116-10314	BOLT, stud	2	
13	91830-24016	PIN, dowel	2	
14	90179-10292	NUT	4	
15	39X-14619-00	HOOK, spring	1	
16	39X-11181-00	GASKET, cylinder head 1	1	
17	95806-06012	BOLT, flange	1	
18	90430-06166	GASKET	1	
19	39X-W1132-00	HOLDER 1	1	
20	98506-05012	SCREW, pan head	2	
21	5X5-1131N-00	GASKET, holder	1	
22	5X5-W1133-00	HOLDER 2	1	
23	93104-16074	OIL SEAL	1	
24	93210-35512	O-RING	1	
25	90387-102F3	COLLAR	1	
26	5X5-11937-00	BOSS, lever	1	
27	93210-09192	O-RING	1	

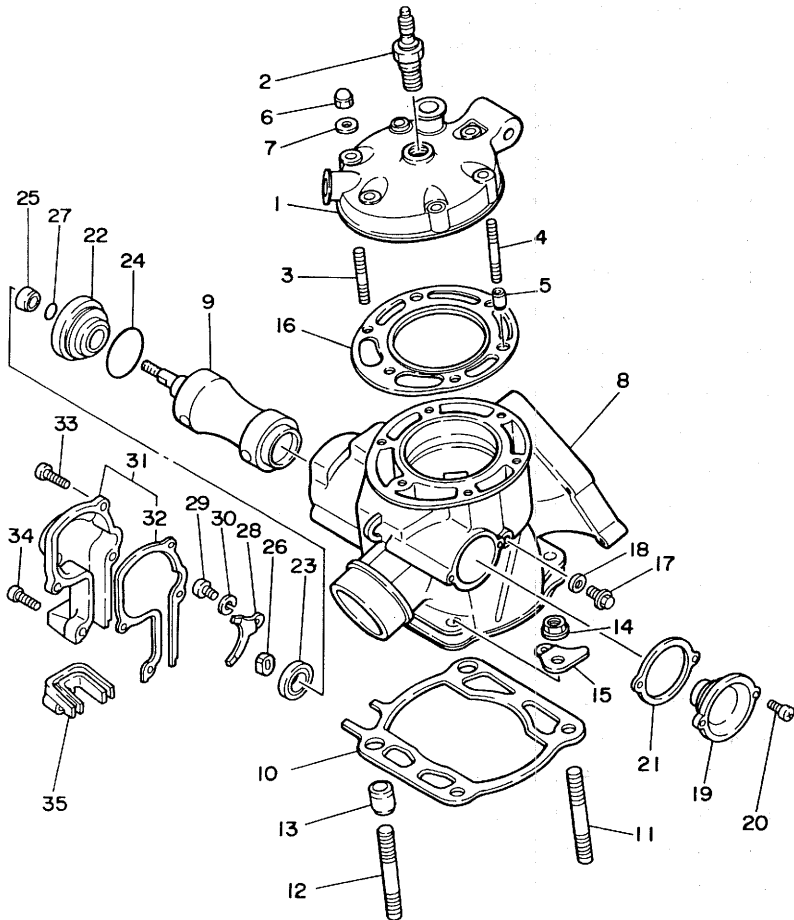


39X100-4010

B2

FIG. 1 CYLINDER

REF. NO.	PART NO.	DESCRIPTION	Q'TY	REMARKS
28	5X5-11915-00	PLATE, thrust 1	1	
29	98501-05012	SCREW, pan head	1	
30	92901-05100	WASHER, spring	1	
31	39X-11992-00	HOUSING 2	1	
32	39X-11993-00	.PACKING	1	
33	98506-05020	SCREW, pan head	3	
34	98506-05014	SCREW, pan head	1	
35	39X-11995-00	SEAL, housing	1	



39X100-4010

B3



24Y100-3021

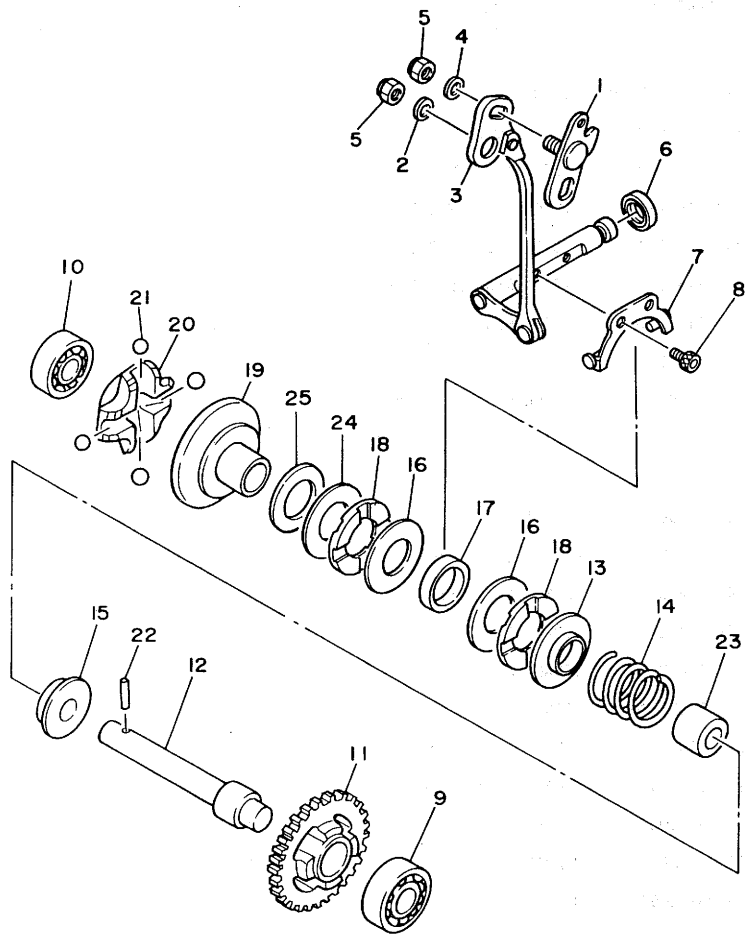


FIG. 2 GOVERNOR

REF. NO.	PART NO.	DESCRIPTION	Q'TY	REMARKS
1	5X5-11931-00	LEVER	1	
2	90201-057H5	WASHER, plate	1	
3	24Y-11990-00	PUSH ROD ASSY	1	
4	92901-05600	WASHER, plate	1	
5	95601-05100	NUT, u	2	
6	93104-08040	OIL SEAL	1	
7	5X5-11922-00	FORK, governor	1	
8	91316-04006	BOLT	2	
9	93306-00006	BEARING (B6000)	1	
10	93300-60801	BEARING (B0060)	1	
11	5X5-11953-00	GEAR, governor (29T)	1	
12	5X5-11921-00	SHAFT, governor	1	
13	5X5-11951-00	PLATE	1	
14	90501-24745	SPRING, compression	1	
15	5X5-11952-00	PLATE	1	
16	90201-151A7	WASHER, plate	2	
17	90387-152F2	COLLAR	1	
18	90380-15104	BUSH, solid	2	
19	5X5-11912-01	RETAINER, weight	1	
20	5X5-11911-01	RETAINER	1	
21	93521-64032	BALL	4	
22	93603-14179	PIN, dowel	1	
23	90387-083F4	COLLAR	1	
24	90201-151A7	WASHER, plate	1	UR
	90201-154F5	WASHER, plate	1	UR
25	90201-154F6	WASHER, plate	1	UN

B4

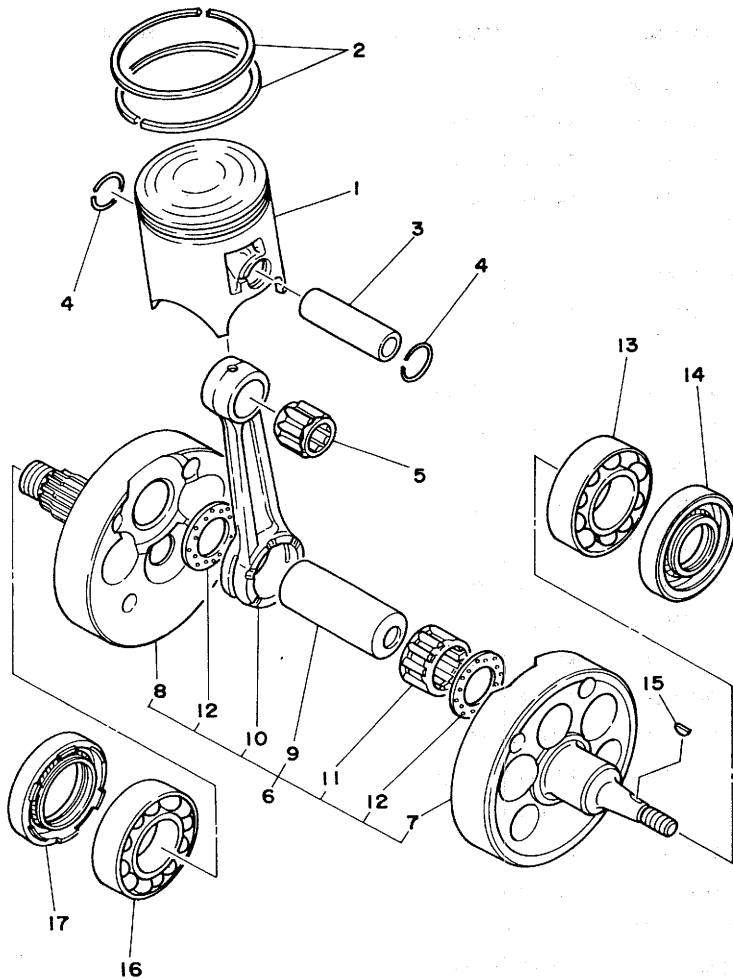


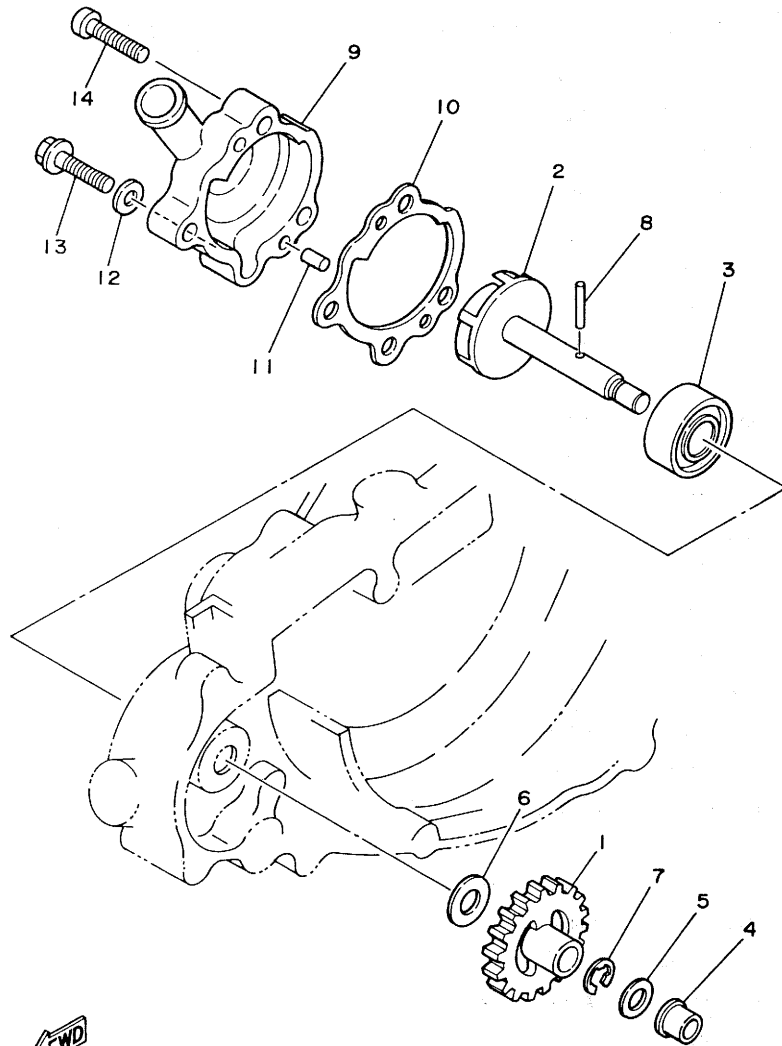
FIG. 3 CRANKSHAFT. PISTON

REF. NO.	PART NO.	DESCRIPTION	Q'TY	REMARKS
1	39X-11631-00-94	PISTON (STD)	1	UR
	39X-11631-00-95	PISTON (STD)	1	UR
	39X-11635-00	PISTON (0.25MM O/S)	1	AP
	39X-11636-00	PISTON (0.50MM O/S)	1	AP
	39X-11637-00	PISTON (0.75MM O/S)	1	AP
	39X-11638-00	PISTON (1.00MM O/S)	1	AP
2	39X-11601-00	PISTON RING SET (STD)	1	
	39X-11601-10	PISTON RING SET (1ST O/S)	1	AP
	39X-11601-20	PISTON RING SET (2ND O/S)	1	AP
	39X-11601-30	PISTON RING SET (3RD O/S)	1	AP
	39X-11601-40	PISTON RING SET (4TH O/S)	1	AP
3	214-11633-00	PIN, piston	1	
4	93450-19052	CIRCLIP	2	
5	93310-418E9	BEARING, cylindrical	1	
6	24Y-11400-01	CRANKSHAFT ASSY	1	
7	24Y-11412-01	.CRANK 1	1	
8	24Y-11422-01	.CRANK 2	1	
9	2X4-11681-00	.PIN, crank 1	1	
10	24Y-11651-00	.ROD, connecting	1	
11	93310-42541	.BEARING, cylindrical	1	
12	90209-25085	.WASHER	2	
13	93306-20627	BEARING	1	
14	93103-30092	OIL SEAL	1	
15	90280-03017	KEY, woodruff	1	
16	93306-20627	BEARING	1	
17	93103-40091	OIL SEAL	1	

FWD
5X5100-2032

B5

FIG. 4 WATER PUMP



REF. NO.	PART NO.	DESCRIPTION	Q'TY	REMARKS
1	39X-12459-00	GEAR, impeller shaft	1	
2	39X-12450-00	IMPELLER SHAFT ASSY	1	
3	93103-10113	OIL SEAL	1	
4	90381-08002	BUSH, solid	1	
5	90201-08512	WASHER, plate	1	
6	90201-10138	WASHER, plate	1	
7	93430-07012	CIRCLIP	1	
8	93603-22028	PIN, dowel	1	
9	39X-12422-00	COVER, housing	1	
10	5X5-12428-00	GASKET, housing cover 2	1	
11	93604-10011	PIN, dowel	2	
12	90430-06166	GASKET	1	
13	95826-06025	BOLT, flange	1	
14	92506-06025	SCREW, pan head	3	

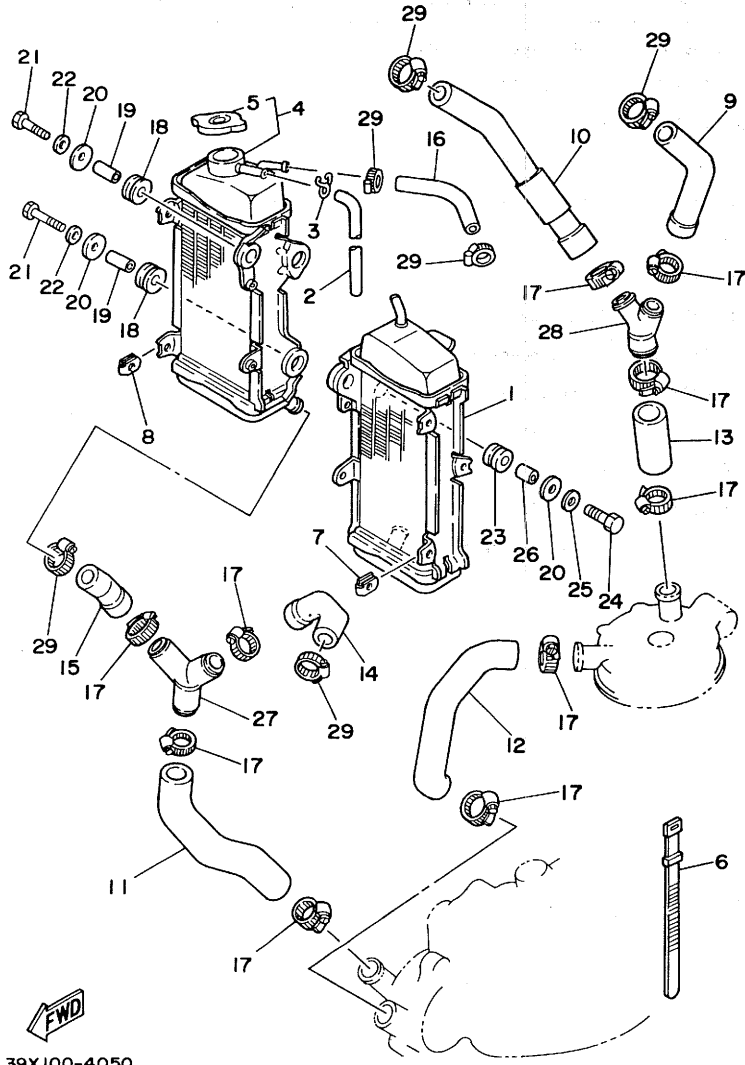


39X100-4040

B6

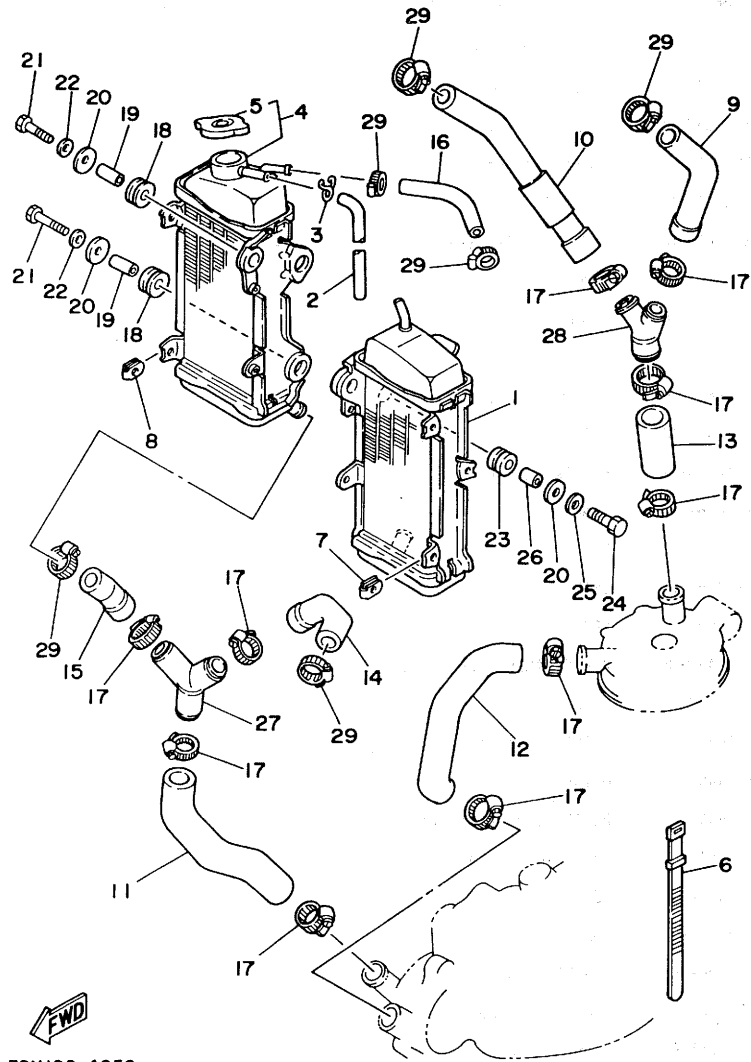
FIG. 5 RADIATOR. HOSE

REF. NO.	PART NO.	DESCRIPTION	Q'TY	REMARKS
1	39X-12460-00	RADIATOR ASSY	1	
2	90446-09079	HOSE	1	
3	90467-09006	CLIP	1	
4	39X-1240A-00	RADIATOR ASSY 2	1	
5	22W-12462-00	.CAP, radiator	1	
6	437-83936-10	BAND, switch cord	1	
7	22W-21791-00	NUT	2	
8	22W-21791-00	NUT	3	
9	39X-12481-00	PIPE 1	1	
10	39X-12482-00	PIPE 2	1	
11	39X-12483-00	PIPE 3	1	
12	39X-12484-00	PIPE 4	1	
13	39X-12485-00	PIPE 5	1	
14	39X-12476-00	PIPE 6	1	
15	39X-12477-00	PIPE 7	1	
16	39X-1248A-00	PIPE 8	1	
17	90460-31253	CLAMP, hose	10	
18	90480-15064	GROMMET	4	
19	90387-07392	COLLAR	4	
20	90201-06570	WASHER, plate	6	
21	97301-06030	BOLT	4	
22	92901-06600	WASHER, plate	4	
23	90480-18276	GROMMET	2	
24	97301-06020	BOLT	2	
25	92901-06600	WASHER, plate	2	
26	90387-060A7	COLLAR	2	
27	24X-12469-00	JOINT 1	1	
28	24Y-12469-00	JOINT 1	1	



39X100-4050

B7



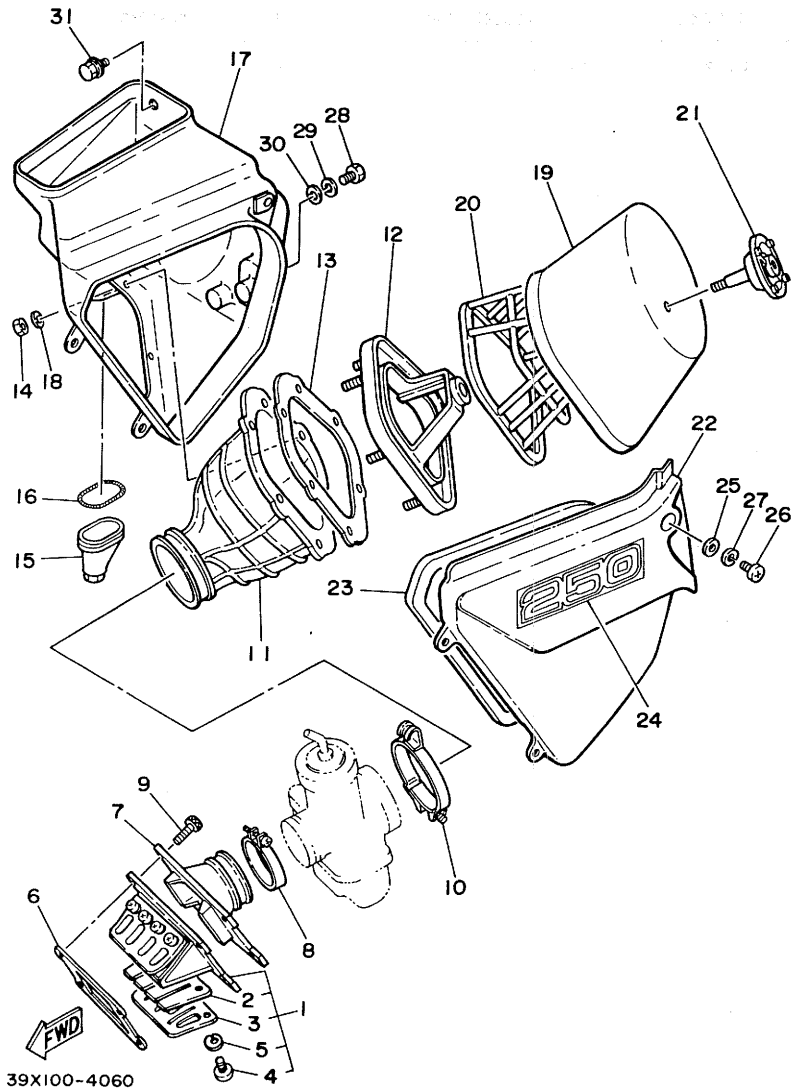
39X100-4050

FIG. 5 RADIATOR. HOSE

REF. NO.	PART NO.	DESCRIPTION	Q'TY	REMARKS
29	90460-22252	CLAMP, hose	6	

FIG. 6 INTAKE

REF. NO.	PART NO.	DESCRIPTION	Q'TY	REMARKS
1	39X-13610-00	REED VALVE ASSY	1	
2	39X-13613-00	.REED, valve	2	
3	39X-13616-00	.STOPPER, reed valve	2	
4	98503-03006	.SCREW, pan head	8	
5	92903-03100	.WASHER, spring	8	
6	39X-13621-00	GASKET, valve seat	1	
7	39X-13565-00	JOINT, carburetor	1	
8	90460-51109	CLAMP, hose	1	
9	91316-06020	BOLT	6	
10	90460-68199	CLAMP, hose	1	
11	39X-14453-00	JOINT, air cleaner 1	1	
12	39X-14459-00	HOLDER, guide	1	
13	39X-14462-00	SEAL	1	
14	95601-05100	NUT, u	6	
15	39K-14457-00	SEAL	1	
16	90504-03033	SPRING, compression	1	
17	39X-W1441-00	AIR CLEANER CASE COMP.	1	
18	92901-05200	WASHER, plain	6	
19	39X-14451-00	ELEMENT, air cleaner	1	
20	39X-14458-00	GUIDE	1	
21	4V2-14468-01	PLATE, element fitting	1	
22	43N-14412-00	CAP, cleaner case 1	1 white	
23	5X5-14452-00	SEAL	1	
24	39X-21737-10	EMBLEM	1 for w	
25	92901-06200	WASHER, plain	3	
26	92501-06012	SCREW, pan head	3	
27	92901-06100	WASHER, spring	3	
28	97301-06012	BOLT	2	



39X100-4060

B9

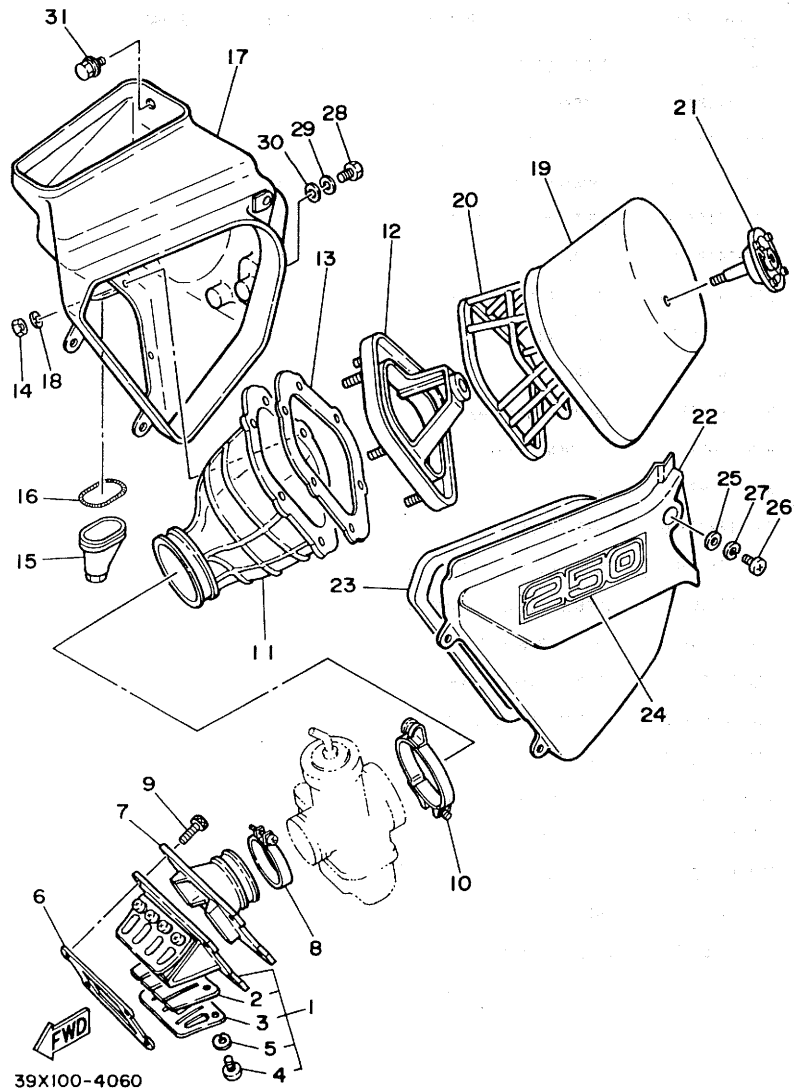
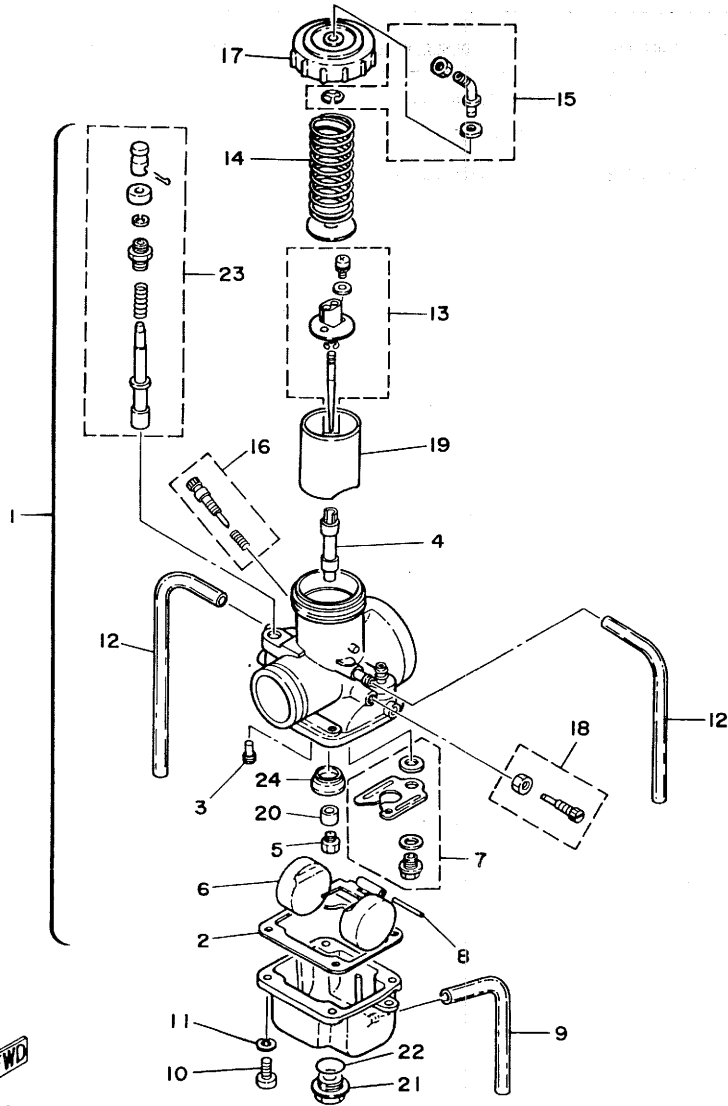


FIG. 6 INTAKE

REF. NO.	PART NO.	DESCRIPTION	Q'TY	REMARKS
29	92901-06100	WASHER, spring	2	
30	92901-06600	WASHER, plate	2	
31	90119-06056	BOLT, with washer	1	

FIG. 7 CARBURETOR 1 (FOR EUROPE)



REF. NO.	PART NO.	DESCRIPTION	Q'TY	REMARKS
1	43N-14101-00	CARBURETOR ASSY 1	1	
2	363-14184-00	.GASKET, float chamber	1	
3	193-14142-60	.JET, pilot (# 60)	1	
4	510-14141-46	.NOZZLE, main	1	
5	137-14143-62	.JET, main (#310)	1	
6	2N7-14185-00	.FLOAT	1	
7	23X-14107-35	.NEEDLE VALVE SET	1	
8	537-14186-00	.PIN, float	1	
9	2K7-14197-00	.PIPE	1	
10	98501-05016	.SCREW, pan head	4	
11	92902-05100	.WASHER, spring	4	
12	310-14197-00	.PIPE	2	
13	23X-1490J-00	.NEEDLE SET	1	
14	431-14131-00	.SPRING, throttle valve	1	
15	23X-14106-00	.CABLE ADJUST SCREW SET	1	
16	23X-14104-00	.AIR SCREW SET	1	
17	5Y9-14158-00	.TOP, mixing chamber	1	
18	23X-14103-00	.THROTTLE SCREW SET	1	
19	2X8-14112-30	.VALVE, throttle 1	1	
20	509-14145-00	.SETTER, needle jet	1	
21	510-14115-00	.PLUG, screw	1	
22	558-14147-00	.O-RING	1	
23	24X-1410A-00	.STARTER SET	1	
24	5X5-14153-00	.WASHER, main jet	1	



24Y100-3081

B11

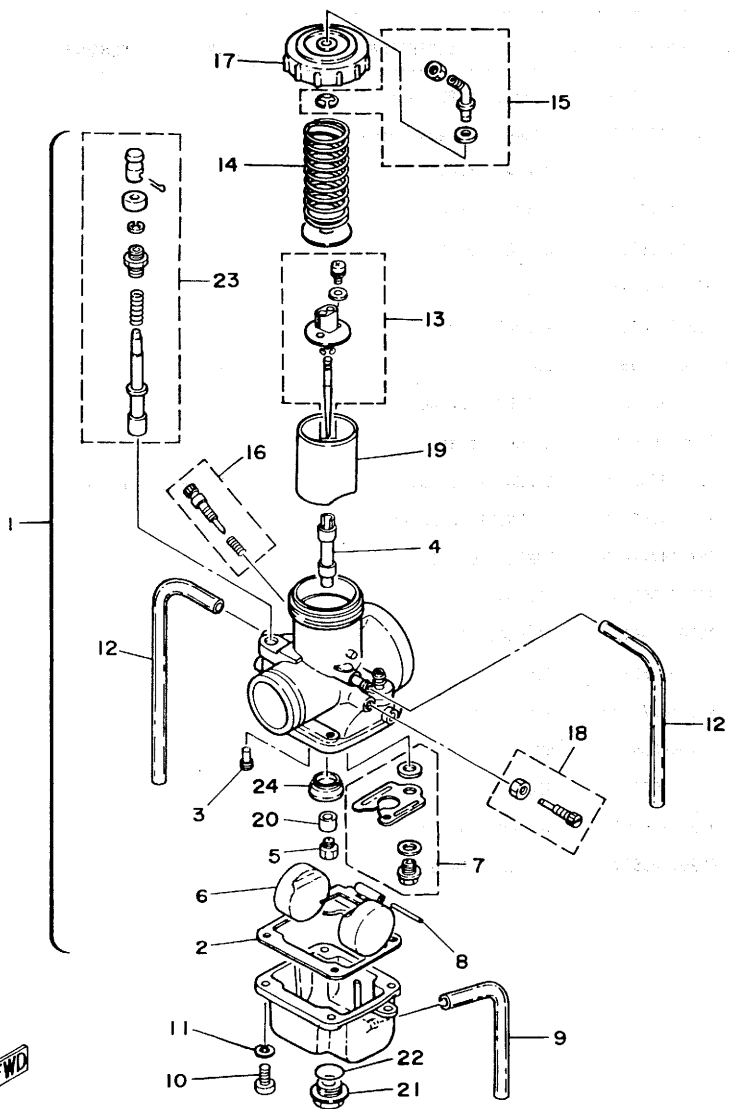


FIG. 8 CARBURETOR 2 (EXCEPT EUROPE)

REF. NO.	PART NO.	DESCRIPTION	Q'TY	REMARKS
1	39X-14101-00	CARBURETOR ASSY 1	1	
2	363-14184-00	.GASKET, float chamber	1	
3	193-14142-60	.JET, pilot (# 60)	1	
4	510-14141-46	.NOZZLE, main	1	
5	137-14143-58	.JET, main (#290)	1	
6	2N7-14185-00	.FLOAT	1	
7	23X-14107-35	.NEEDLE VALVE SET	1	
8	537-14186-00	.PIN, float	1	
9	2K7-14197-00	.PIPE	1	
10	98501-05016	.SCREW, pan head	4	
11	92902-05100	.WASHER, spring	4	
12	310-14197-00	.PIPE	2	
13	23X-1490J-00	.NEEDLE SET	1	
14	431-14131-00	.SPRING, throttle valve	1	
15	23X-14106-00	.CABLE ADJUST SCREW SET	1	
16	23X-14104-00	.AIR SCREW SET	1	
17	5Y9-14158-00	.TOP, mixing chamber	1	
18	23X-14103-00	.THROTTLE SCREW SET	1	
19	2X8-14112-30	.VALVE, throttle 1	1	
20	509-14145-00	.SETTER, needle jet	1	
21	510-14115-00	.PLUG, screw	1	
22	558-14147-00	.O-RING	1	
23	24X-1410A-00	.STARTER SET	1	
24	5X5-14153-00	.WASHER, main jet	1	

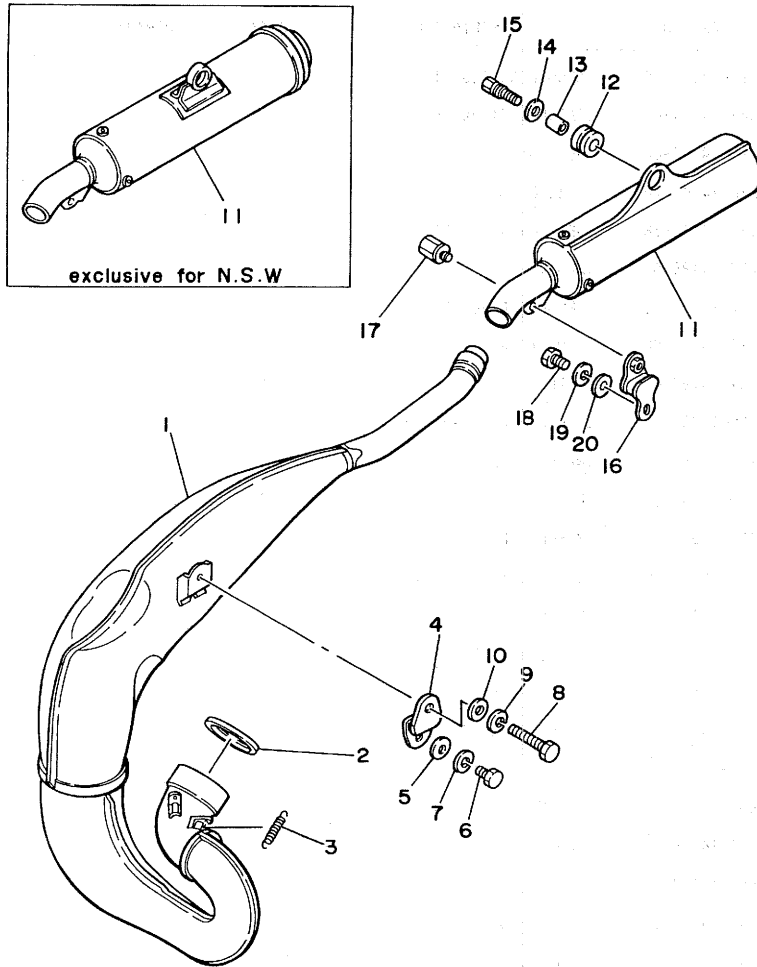


24Y100-3081

B12

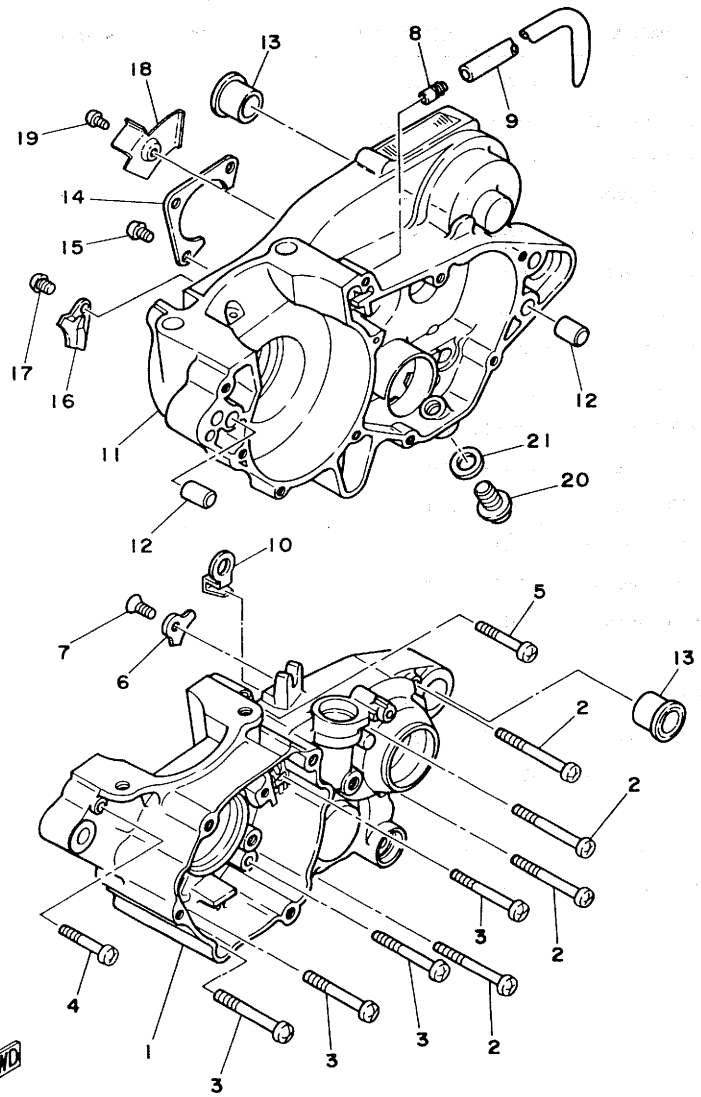
FIG. 9 EXHAUST

REF. NO.	PART NO.	DESCRIPTION	Q'TY	REMARKS
1	39X-14610-00	EXHAUST PIPE ASSY 1	1	
2	24Y-14613-00	GASKET, exhaust pipe	1	
3	90507-20030	SPRING, tension	2	
4	24Y-14771-00	STAY, muffler 1	1	
5	90201-08730	WASHER, plate	1	
6	97301-08016	BOLT	1	
7	92901-08100	WASHER, spring	1	
8	97301-08060	BOLT	1	
9	92901-08100	WASHER, spring	1	
10	92901-08600	WASHER, plate	1	
11	43N-14753-10	SILENCER, exhaust	1	UR exclusive for N.S.W
	39X-14753-00	SILENCER, exhaust	1	UR
12	39X-14747-00	DAMPER, muffler	1	
13	90387-081A3	COLLAR	1	
14	90201-08612	WASHER, plate	1	
15	90109-08512	BOLT	1	
16	565-14771-00	STAY, muffler 1	1	
17	90109-06551	BOLT	1	
18	97301-06016	BOLT	1	
19	92901-06100	WASHER, spring	1	
20	92901-06600	WASHER, plate	1	



43N300-4080

B13



5X5100-2102

FIG. 10 CRANKCASE

REF. NO.	PART NO.	DESCRIPTION	Q'TY	REMARKS
1	5X5-15111-01	CRANKCASE 1	1	
2	91316-06060	BOLT	4	
3	91316-06055	BOLT	4	
4	91316-06045	BOLT	1	
5	91316-06040	BOLT	1	
6	3R4-15383-01	PLATE, bearing cover	1	
7	92701-06012	SCREW, flat head	1	
8	137-13115-00	CONNECTOR, suction pipe	1	
9	90445-08605	HOSE	1	
10	23X-26393-00	HOLDER	1	
11	5X5-15121-00	CRANKCASE 2	1	
12	91810-05016	PIN, dowel	4	
13	90387-160H4	COLLAR	2	
14	23X-15381-00	PLATE, bearing cover	1	
15	92501-06012	SCREW, pan head	3	
16	3R4-15118-00	HOLDER	1	
17	92501-08010	SCREW, pan head	1	
18	5X5-15113-00	PLATE	1	
19	92501-06010	SCREW, pan head	1	
20	90340-12095	PLUG, straight screw	1	
21	90430-12038	GASKET	1	

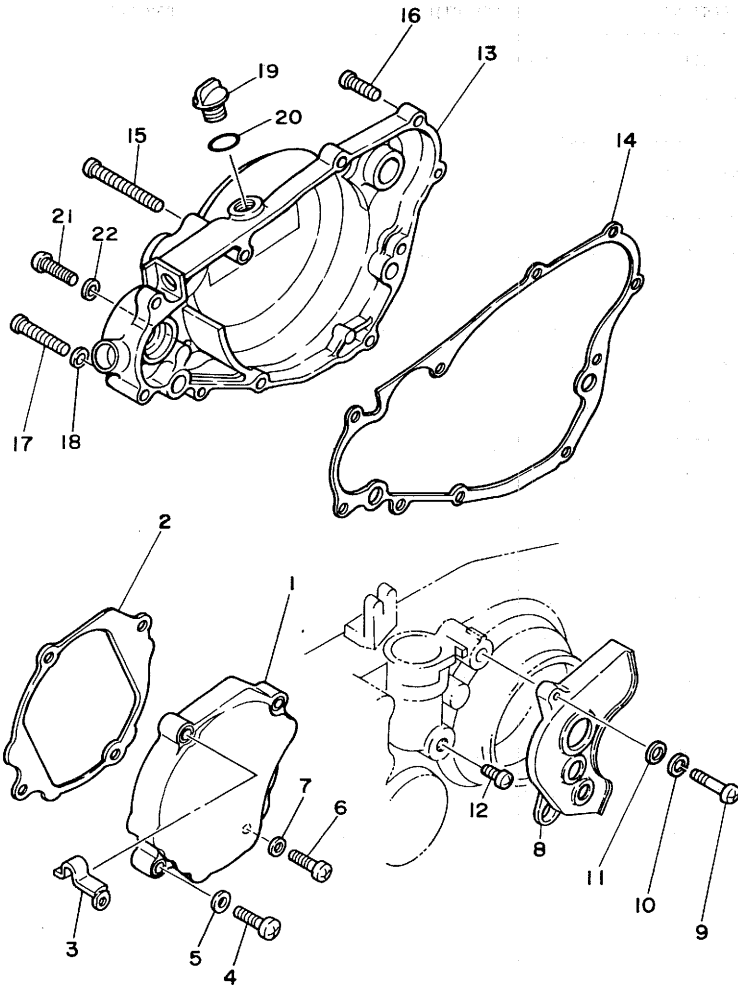


FIG. 11 CRANKCASE COVER 1

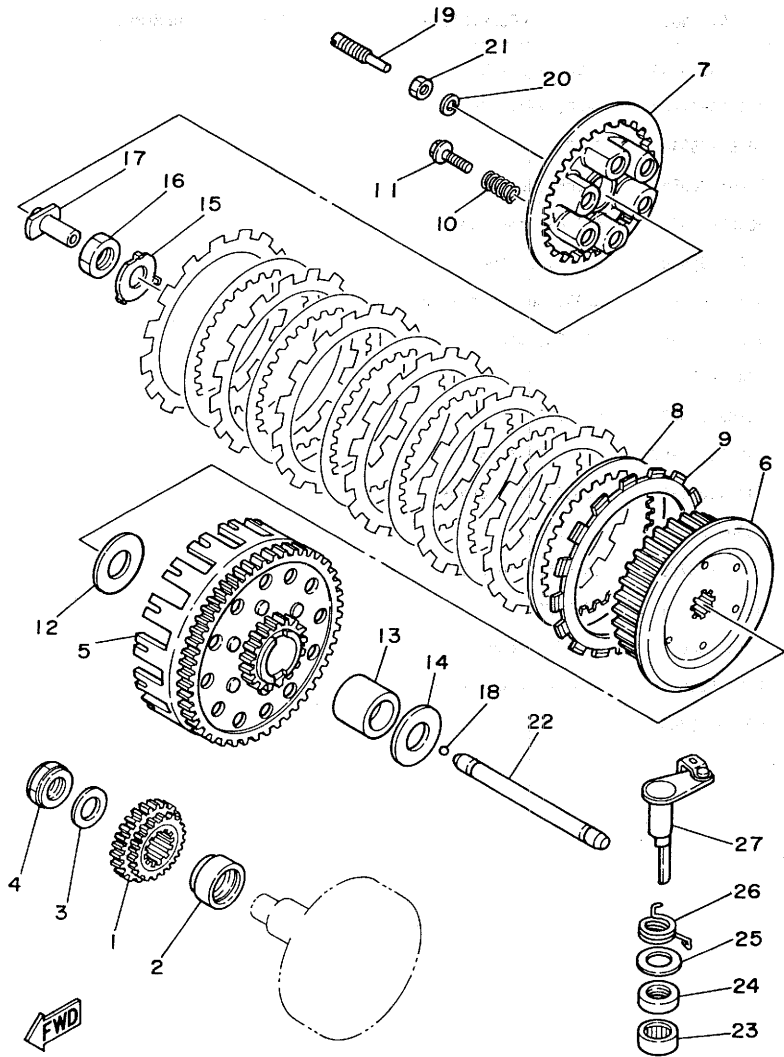
REF. NO.	PART NO.	DESCRIPTION	Q'TY	REMARKS
1	39X-15411-00	COVER, crankcase 1	1	
2	5X5-15451-00	GASKET, crankcase cover 1	1	
3	90465-06247	CLAMP	1	
4	92506-06030	SCREW, pan head	3	
5	92906-06600	WASHER, plate	3	
6	92506-06025	SCREW, pan head	1	
7	92906-06600	WASHER, plate	1	
8	23X-15421-00	COVER, crankcase 2	1	
9	92506-06025	SCREW, pan head	1	
10	92906-06100	WASHER, spring	1	
11	92906-06600	WASHER, plate	1	
12	92506-06012	SCREW, pan head	1	
13	24Y-15431-00	COVER, crankcase 3	1	
14	5X5-15462-00	GASKET, crankcase cover 3	1	
15	92506-06065	SCREW, pan head	1	
16	92506-06025	SCREW, pan head	8	
17	92506-06040	SCREW, pan head	1	
18	92906-06600	WASHER, plate	1	
19	168-15362-00	PLUG, oil level	1	
20	93210-14104	O-RING	1	
21	92506-06008	SCREW, pan head	1	
22	90430-06016	GASKET	1	



5X5100-2113

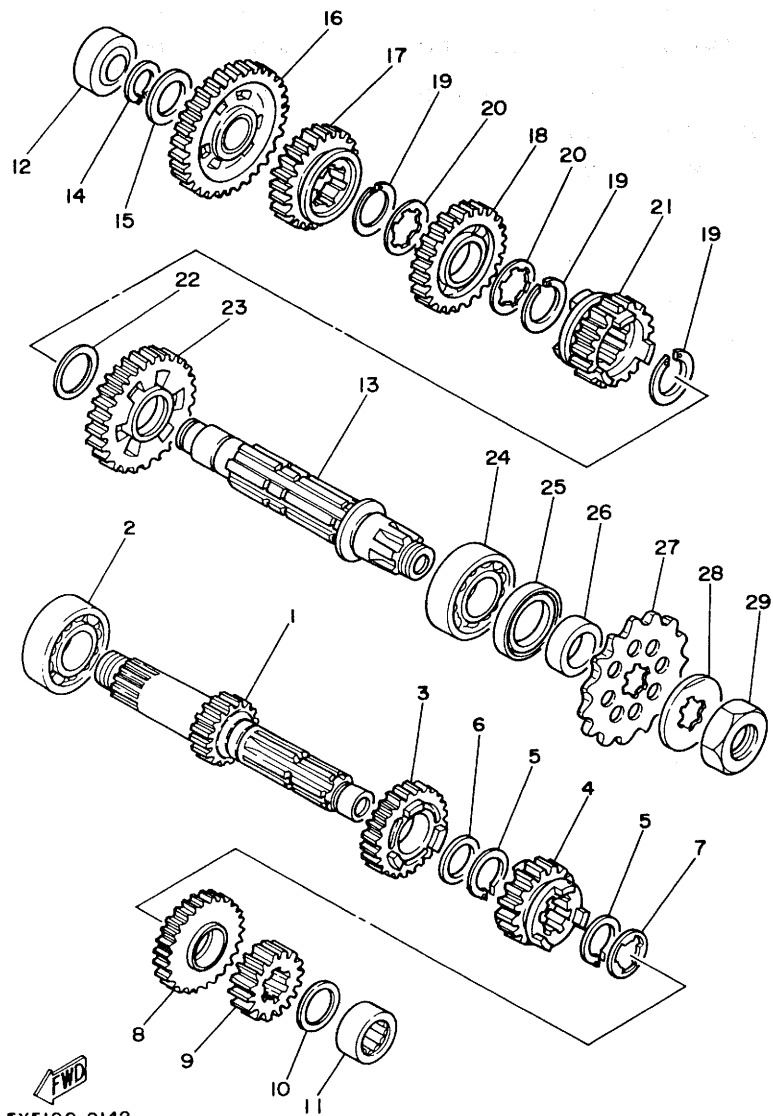
FIG. 13 CLUTCH

REF. NO.	PART NO.	DESCRIPTION	Q'TY	REMARKS
1	24Y-16110-00	PRIMARY DRIVE GEAR ASSY	1	
2	90387-252F6	COLLAR	1	
3	90201-186H3	WASHER, plate	1	
4	90185-18126	NUT, self-locking	1	
5	39X-16150-00	PRIMARY DRIVEN GEAR COMP.	1	
6	23X-16371-00	BOSS, clutch	1	
7	23X-16351-00	PLATE, pressure 1	1	
8	168-16325-00	PLATE, clutch 2	6	
9	5X5-16321-00	PLATE, friction	7	
10	90501-23138	SPRING, compression	6	
11	90159-06016	SCREW, with washer	6	
12	2K7-16154-00	PLATE, thrust 1	1	
13	2K7-16181-00	SPACER 1	1	
14	2K7-16154-00	PLATE, thrust 1	1	
15	90215-20212	WASHER, lock	1	
16	90170-20255	NUT	1	
17	23X-16356-00	ROD, push 1	1	
18	93515-32029	BALL	1	
19	90149-06178	SCREW	1	
20	92901-06100	WASHER, spring	1	
21	95301-06600	NUT	1	
22	2K7-16357-01	ROD, push 2	1	
23	93315-21721	BEARING, cylindrical	1	
24	93102-17263	OIL SEAL	1	
25	90201-17327	WASHER, plate	1	
26	90508-14423	SPRING, torsion	1	
27	4V4-16380-00	PUSH LEVER ASSY	1	



39X100-4120

C3



5X5100-2142

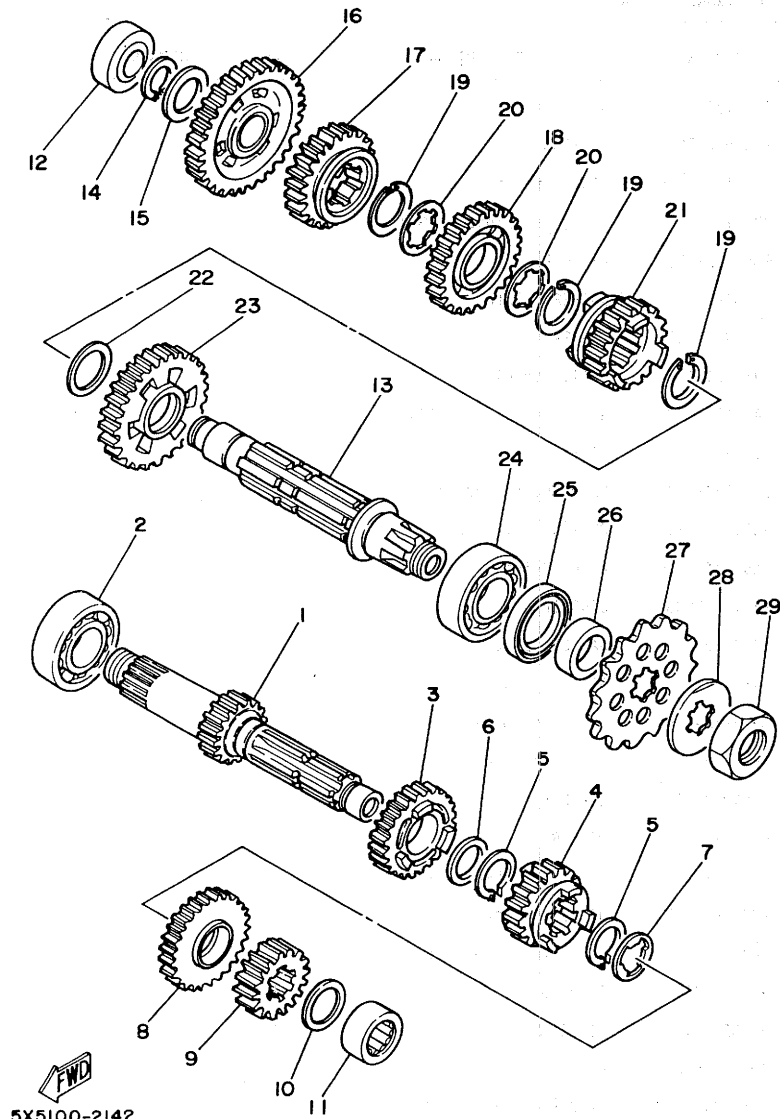
FIG. 14 TRANSMISSION

REF. NO.	PART NO.	DESCRIPTION	Q'TY	REMARKS
1	24Y-17411-00	AXLE, main	1	
2	93300-20501	BEARING	1	
3	39X-17141-00	GEAR, 4th pinion (20T)	1	
4	39X-17131-00	GEAR, 3rd pinion (18T)	1	
5	93410-22039	CIRCLIP	2	
6	90201-22555	WASHER, plate	1	
7	90209-18135	WASHER	1	
8	39X-17151-00	GEAR, 5th pinion (22T)	1	
9	24Y-17121-00	GEAR, 2nd pinion (16T)	1	
10	90209-17235	WASHER	1	
11	93311-41734	BEARING, cylindrical	1	
12	93311-62035	BEARING, cylindrical	1	
13	5X5-17421-00	AXLE, drive	1	
14	93410-20038	CIRCLIP	1	
15	90201-20278	WASHER, plate	1	
16	24Y-17211-00	GEAR, 1st wheel (30T)	1	
17	39X-17241-00	GEAR, 4th wheel (24T)	1	
18	39X-17231-00	GEAR, 3rd wheel (26T)	1	
19	93440-25084	CIRCLIP	3	
20	90209-22082	WASHER	2	
21	39X-17251-00	GEAR, 5th wheel (22T)	1	
22	90201-25287	WASHER, plate	1	
23	24Y-17221-00	GEAR, 2nd wheel (28T)	1	
24	93300-20501	BEARING	1	
25	93102-32136	OIL SEAL	1	
26	90387-25663	COLLAR	1	
27	23X-17461-30	SPROCKET, drive (13T)	1	
	23X-17461-40	SPROCKET, drive (14T)	1	AP

C4

FIG. 14 TRANSMISSION

REF. NO.	PART NO.	DESCRIPTION	Q'TY	REMARKS
27	23X-17461-50	SPROCKET, drive (15T)	1	AP
28	90215-21239	WASHER, lock	1	
29	90179-20255	NUT	1	



5X5100-2142

C5



24Y100-3150

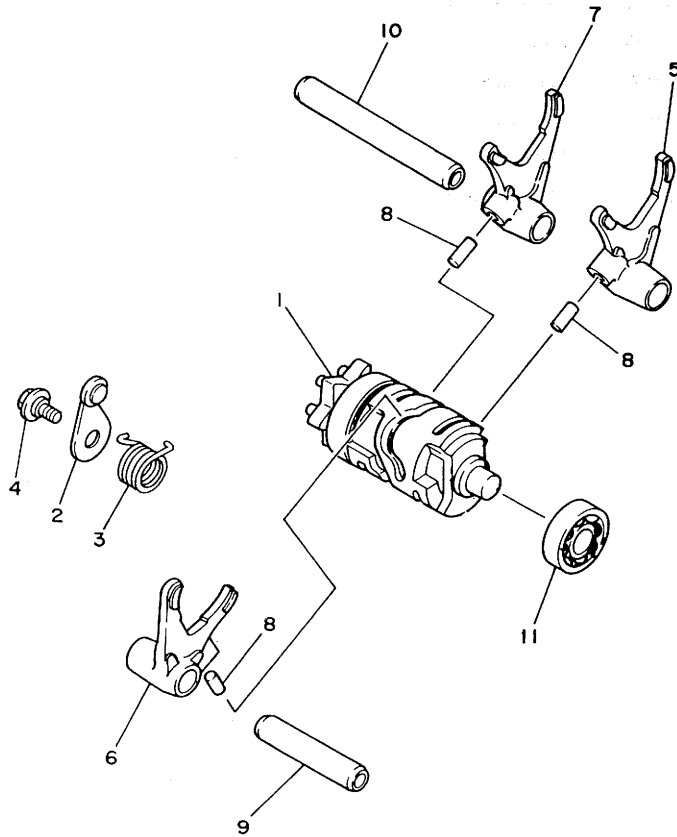


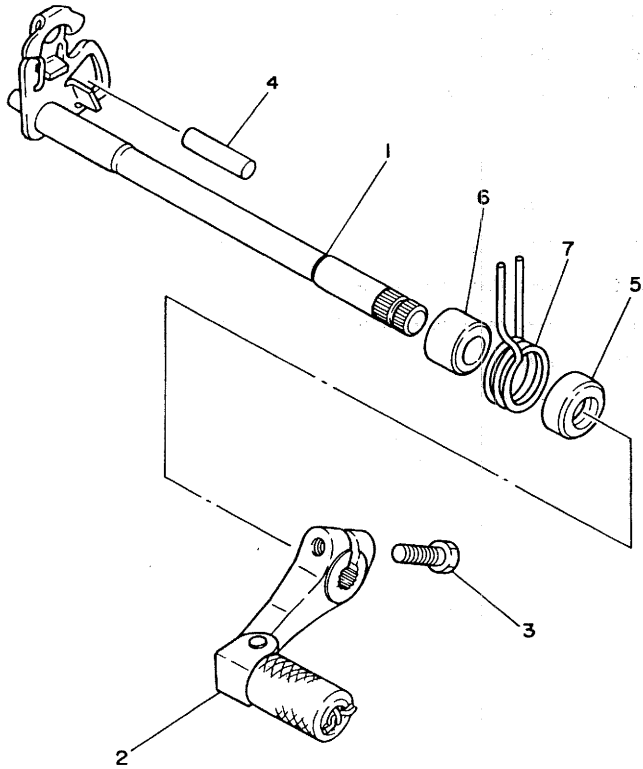
FIG. 15 SHIFT CAM. FORK

REF. NO.	PART NO.	DESCRIPTION	Q'TY	REMARKS
1	24Y-18540-00	SHIFT CAM ASSY	1	
2	3R4-18140-00	STOPPER LEVER ASSY	1	
3	90508-26608	SPRING, torsion	1	
4	1W1-18177-00	BOLT, stopper	1	
5	5X5-18511-00	FORK, shift 1	1	
6	4V3-18512-00	FORK, shift 2	1	
7	5X5-18513-00	FORK, shift 3	1	
8	93606-14154	PIN, dowel	3	
9	5X5-18531-01	BAR, shift fork guide 1	1	
10	5X5-18535-01	BAR, shift fork guide 2	1	
11	93306-00106	BEARING	1	

C6

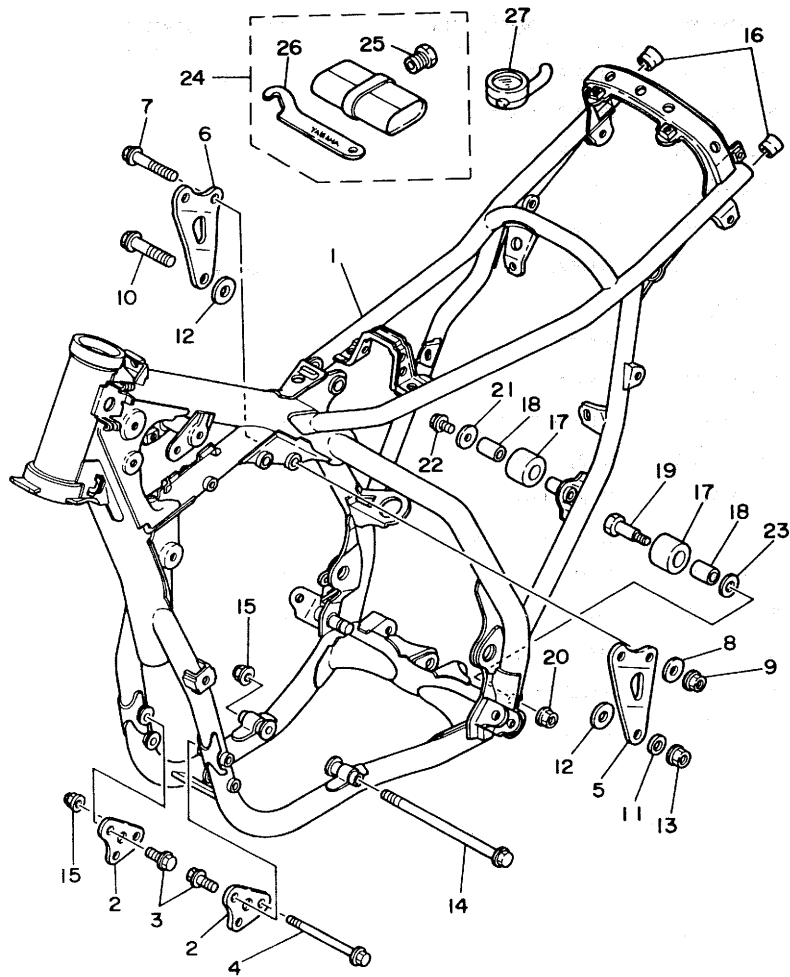
FIG. 16 SHIFT SHAFT

REF. NO.	PART NO.	DESCRIPTION	Q'TY	REMARKS
1	23X-18101-00	SHIFT SHAFT ASSY	1	
2	24Y-18110-00	SHIFT PEDAL ASSY	1	
3	97321-06025	BOLT	1	
4	93608-25150	PIN, dowel	1	
5	93101-12004	OIL SEAL	1	
6	90560-12171	SPACER	1	
7	90508-29361	SPRING, torsion	1	



24Y100-3160

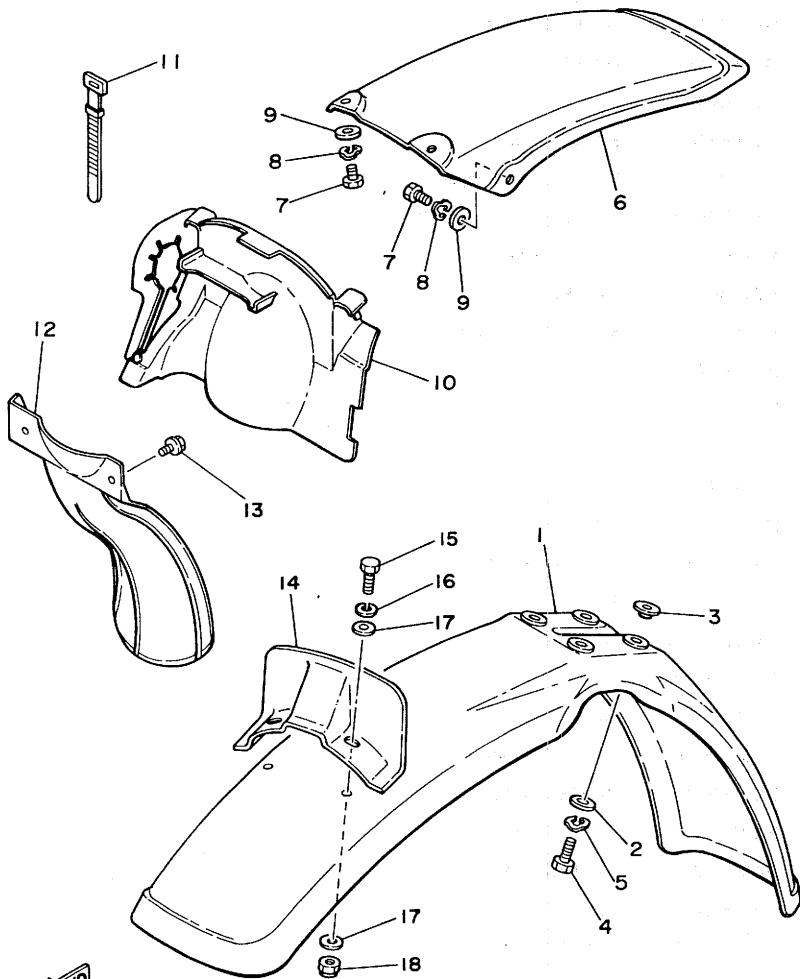
C7



39X100-4160

FIG. 17 FRAME

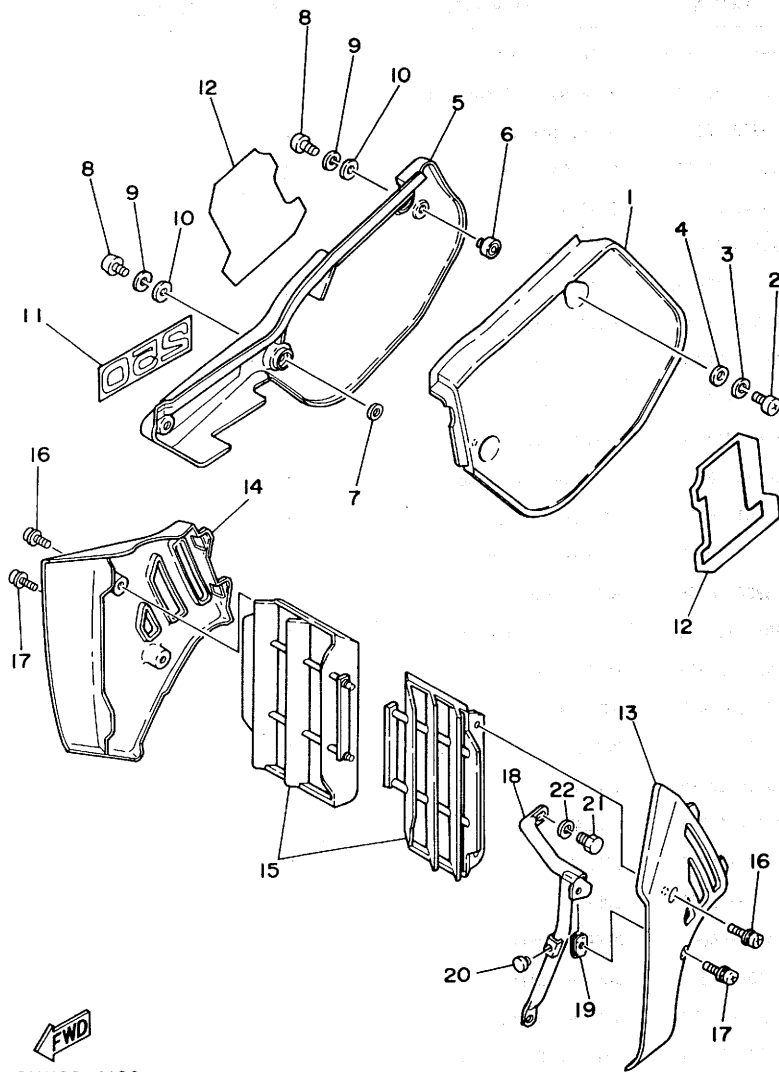
REF. NO.	PART NO.	DESCRIPTION	Q'TY	REMARKS
1	39X-21110-00-FH	FRAME COMP.	1	fire red
2	24Y-21415-00	BRACKET, front upper 1	2	
3	95821-08020	BOLT, flange	4	
4	95811-08100	BOLT, flange	1	
5	39X-21425-00	BRACKET, rear upper 1	1	
6	39X-21426-00	BRACKET, rear upper 2	1	
7	95811-08055	BOLT, flange	2	
8	90202-08022	WASHER, plate	2	
9	90185-08113	NUT, self-locking	2	
10	95811-10055	BOLT, flange	1	
11	92901-10200	WASHER, plain	1	
12	90201-10141	WASHER, plate	2	
13	90179-10280	NUT	1	
14	95811-08180	BOLT, flange	1	
15	90185-08113	NUT, self-locking	2	
16	90339-13005	PLUG	2	
17	22W-22178-01	TENSIONER	2	
18	4V4-22184-00	BUSH	2	
19	90109-08705	BOLT	1	
20	90185-08106	NUT, self-locking	1	
21	90201-08113	WASHER, plate	1	
22	95802-08012	BOLT, flange	1	
23	90201-13202	WASHER, plate	1	
24	24X-28100-00	TOOL KIT	1	
25	2K7-85555-00	.PULLER, rotor	1	
26	23X-28135-00	.SPANNER, special	1	
27	2X4-2811A-00	GAUGE, air	1	



39X100-4171

FIG. 18 FENDER

REF. NO.	PART NO.	DESCRIPTION	Q'TY	REMARKS
1	5X6-21511-10	FENDER, front	1	white
2	90201-06571	WASHER, plate	4	
3	90387-06681	COLLAR	4	
4	97302-06020	BOLT	4	
5	92902-06700	WASHER	4	
6	3R4-21611-10	FENDER, rear	1	white
7	97301-06016	BOLT	4	
8	92902-06700	WASHER	4	
9	90201-06571	WASHER, plate	4	
10	39X-21620-00	MUD GUARD COMP.	1	
11	437-83936-00	BAND, switch cord	1	
12	39X-21642-00	GUARD, flap	1	
13	90119-06042	BOLT, with washer	2	
14	4V2-21543-01	PLATE 1	1	
15	97301-06020	BOLT	2	
16	92901-06100	WASHER, spring	2	
17	90201-06052	WASHER, plate	4	
18	95601-06100	NUT, u	2	



39X100-4180

FIG. 19 SIDE COVER

REF. NO.	PART NO.	DESCRIPTION	Q'TY	REMARKS
1	39X-21711-10-98	COVER, side 1	1	low gloss black/white
2	92501-06014	SCREW, pan head	2	
3	92901-06100	WASHER, spring	2	
4	90201-06571	WASHER, plate	2	
5	39X-21721-10-98	COVER, side 2	1	low gloss black/white
6	22W-24181-00	DAMPER, locating 1	4	
7	92902-08200	WASHER	2	
8	92501-06014	SCREW, pan head	2	
9	92901-06100	WASHER, spring	2	
10	90201-06571	WASHER, plate	2	
11	39X-21737-10	EMBLEM	1	for w
12	3R2-21782-00	EMBLEM 2	2	for Oceania
13	39X-21731-10	COVER, side 3	1	chappy red
14	39X-21741-10	COVER, side 4	1	chappy red
15	24Y-2172A-00	PANEL 1	2	
16	90159-05100	SCREW, with washer	4	
17	90159-05100	SCREW, with washer	2	
18	39X-2174F-00	GUARD, radiator	1	
19	22W-21791-00	NUT	1	
20	24X-12465-00	DAMPER, radiator	1	
21	97301-08016	BOLT	2	
22	92901-08100	WASHER, spring	2	

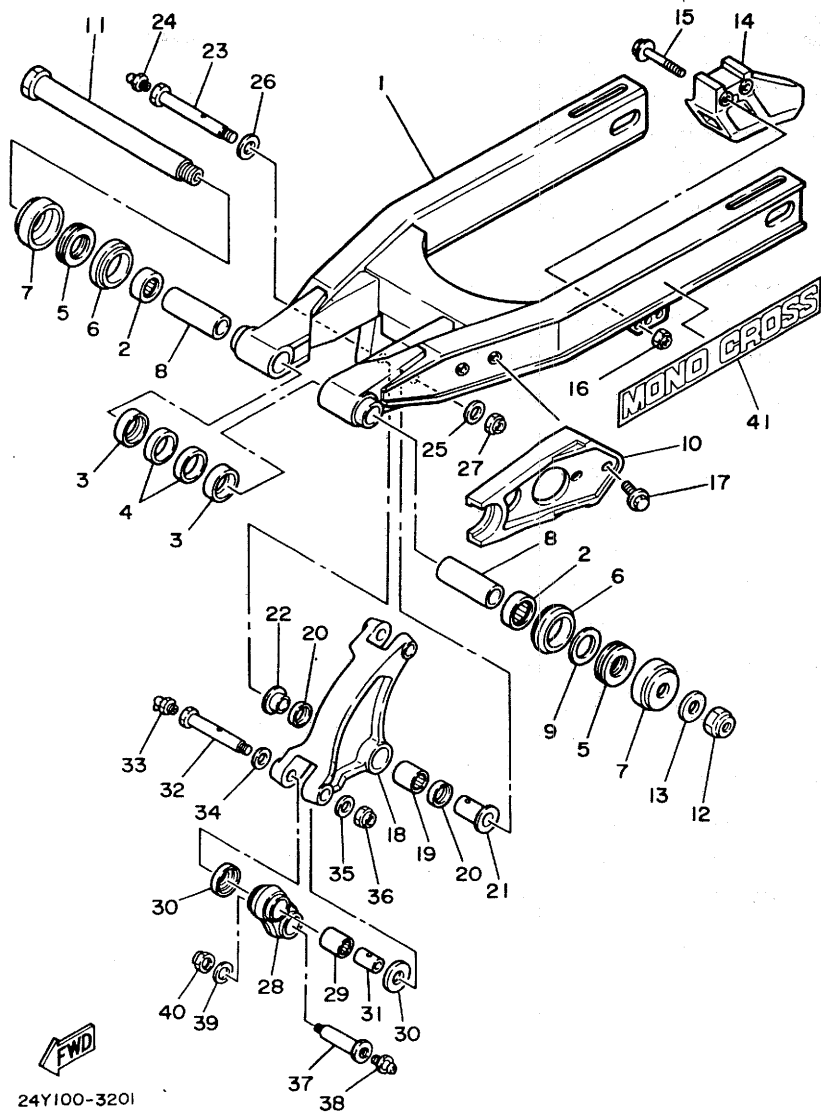
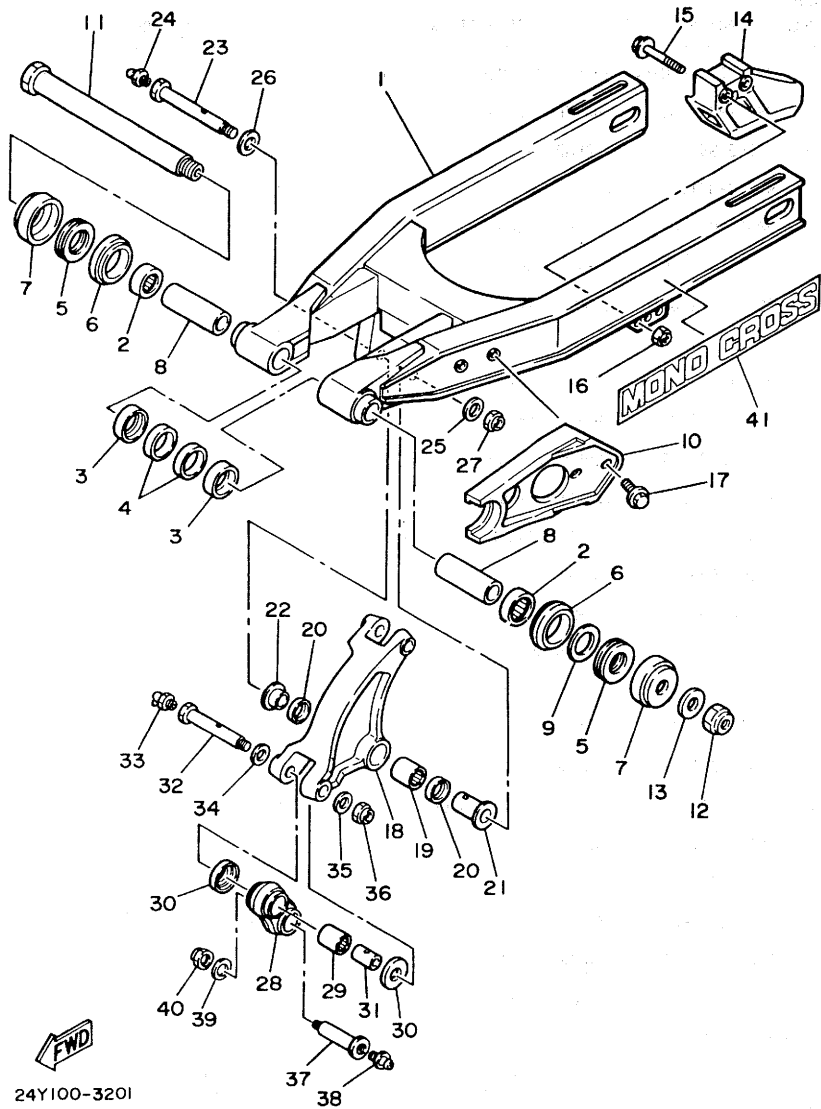


FIG. 20 REAR ARM

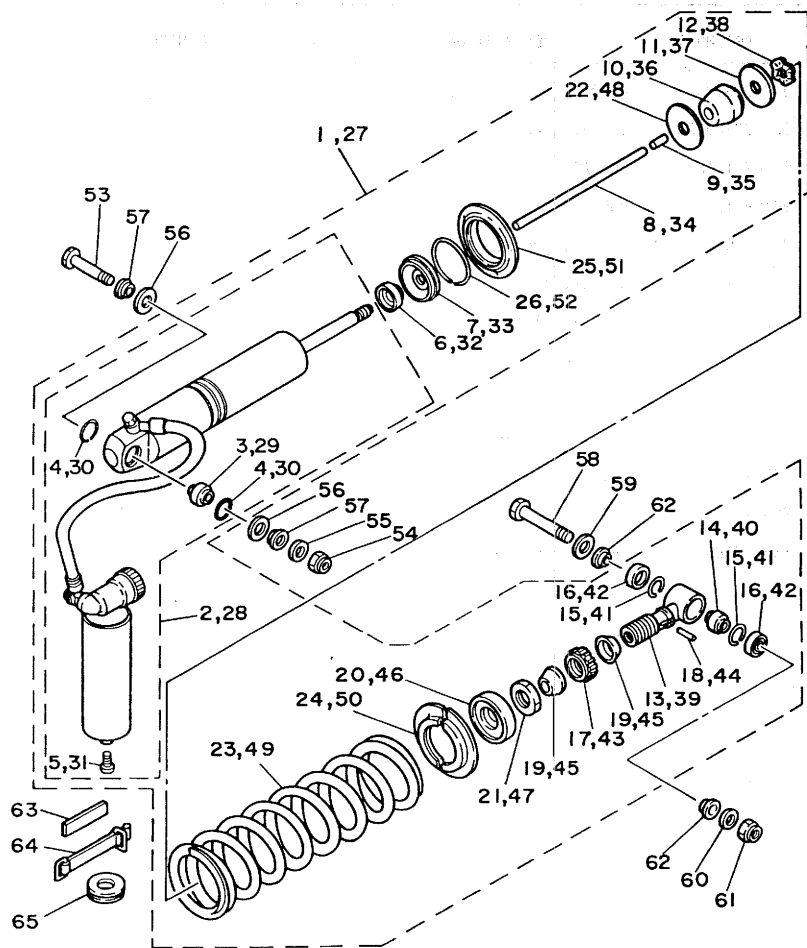
REF. NO.	PART NO.	DESCRIPTION	Q'TY	REMARKS
1	39X-22110-00	REAR ARM COMP.	1	
2	93317-32231	BEARING, cylindrical	2	
3	90380-22111	BUSH, solid	2	
4	93106-22019	OIL SEAL	2	
5	93342-22208	BEARING	2	
6	93108-35004	OIL SEAL	2	
7	3R4-22129-00	COVER, thrust 2	2	
8	90380-16077	BUSH, solid	2	
9	156-22127-00	SHIM (0.3T)	1 UN	
10	39W-22151-00	SEAL, guard	1	
11	5X6-22141-01	SHAFT, pivot	1	
12	90185-16127	NUT, self-locking	1	
13	90201-160F6	WASHER, plate	1	
14	23X-22199-10	SUPPORT, chain	1	
15	95802-08055	BOLT, flange	2	
16	90185-08106	NUT, self-locking	2	
17	95801-06016	BOLT, flange	2	
18	39X-2217A-00	ARM, relay	1	
19	93317-32034	BEARING, cylindrical	1	
20	93109-20029	OIL SEAL	2	
21	90387-147G6	COLLAR	1	
22	90387-147G7	COLLAR	1	
23	90109-12701	BOLT	1	
24	93700-06004	NIPPLE, grease	1	
25	90201-120A5	WASHER, plate	1	
26	90201-14222	WASHER, plate	1	
27	90185-12119	NUT, self-locking	1	
28	39X-2217F-00	ROD, connecting 1	1	



24Y100-3201

FIG. 20 REAR ARM

REF. NO.	PART NO.	DESCRIPTION	Q'TY	REMARKS
29	93315-31732	BEARING, cylindrical	2	
30	23X-22129-00	COVER, thrust 2	4	
31	90387-121H1	COLLAR	2	
32	90109-10702	BOLT	1	
33	93700-06005	NIPPLE, grease	1	
34	90201-120E6	WASHER, plate	1	
35	90201-100E9	WASHER, plate	1	
36	90185-10120	NUT, self-locking	1	
37	90109-10703	BOLT	1	
38	93700-06004	NIPPLE, grease	1	
39	90201-10430	WASHER, plate	1	
40	95611-10100	NUT, u	1	
41	5X3-2218A-00	EMBLEM, rear arm	2	



43N300-4200

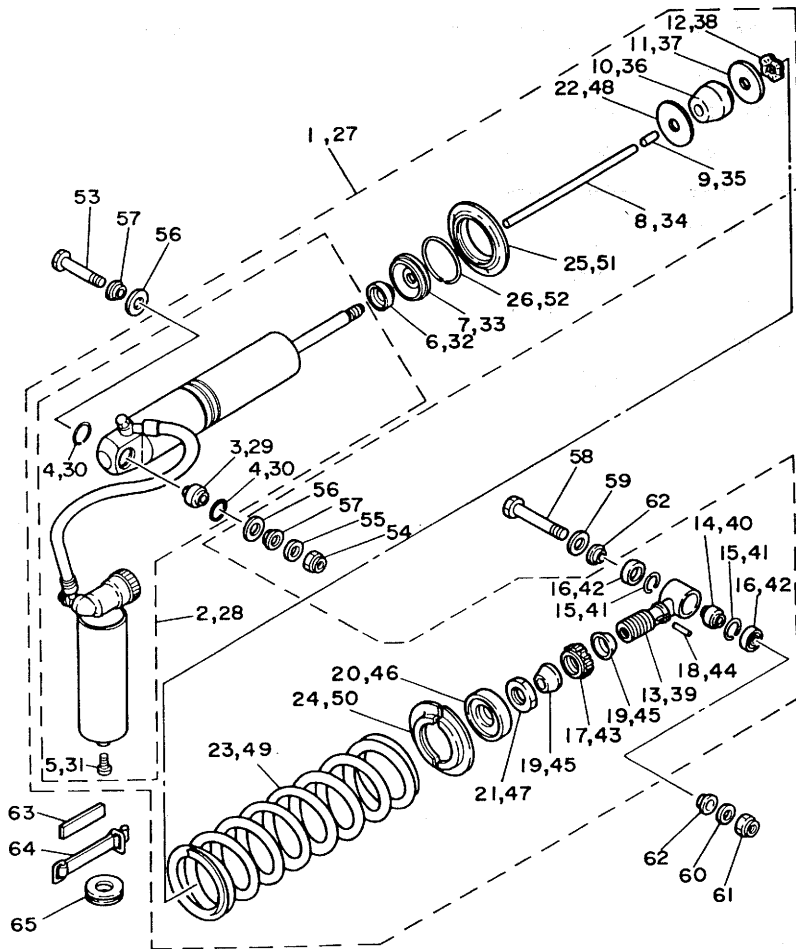
FIG. 21 REAR SUSPENSION

REF. NO.	PART NO.	DESCRIPTION	Q'TY	REMARKS
1	39X-22210-00-6W	SHOCK ABSORBER ASSY, rear	1	UR native red for Oceania
2	39X-22401-00	.DAMPER SUB ASSY	1	
3	93399-99916	.BEARING	1	
4	93440-30113	.CIRCLIP	2	
5	98501-04006	.SCREW, pan head	1	
6	23X-22475-00	.SEAL, dust	1	
7	26A-22472-00	.CAP, case	1	
8	39X-22489-00	.ROD, push	1	
9	93604-21193	.PIN, dowel	1	
10	39X-22493-00	.BUMP, stop	1	
11	3R4-22228-00	.SUPPORT, bump stop	1	
12	90206-14067	.WASHER, wave	1	
13	39X-22409-00	.UPPER BRACKET SUB ASSY	1	
14	93399-99916	.BEARING	1	
15	93440-30113	.CIRCLIP	2	
16	93104-18077	.OIL SEAL	2	
17	5X3-22497-00	.NUT, adjusting	1	
18	93604-26132	.PIN, dowel	1	
19	3R4-22221-01	.COVER	2	
20	23X-22213-00	.SEAT, spring upper	1	
21	90170-20213	.NUT	1	
22	39X-22482-00	.STOPPER	1	
23	39X-22212-00-6W	.SPRING	1	native red
24	23X-22214-00	.GUIDE, spring l	2	
25	23X-22223-00	.SEAT, spring lower	1	
26	93440-51103	.CIRCLIP	1	
27	43N-22210-00-6W	SHOCK ABSORBER ASSY, rear	1	UR native red except Oceania
28	43N-22401-00	.DAMPER SUB ASSY	1	

C13

FIG. 21 REAR SUSPENSION

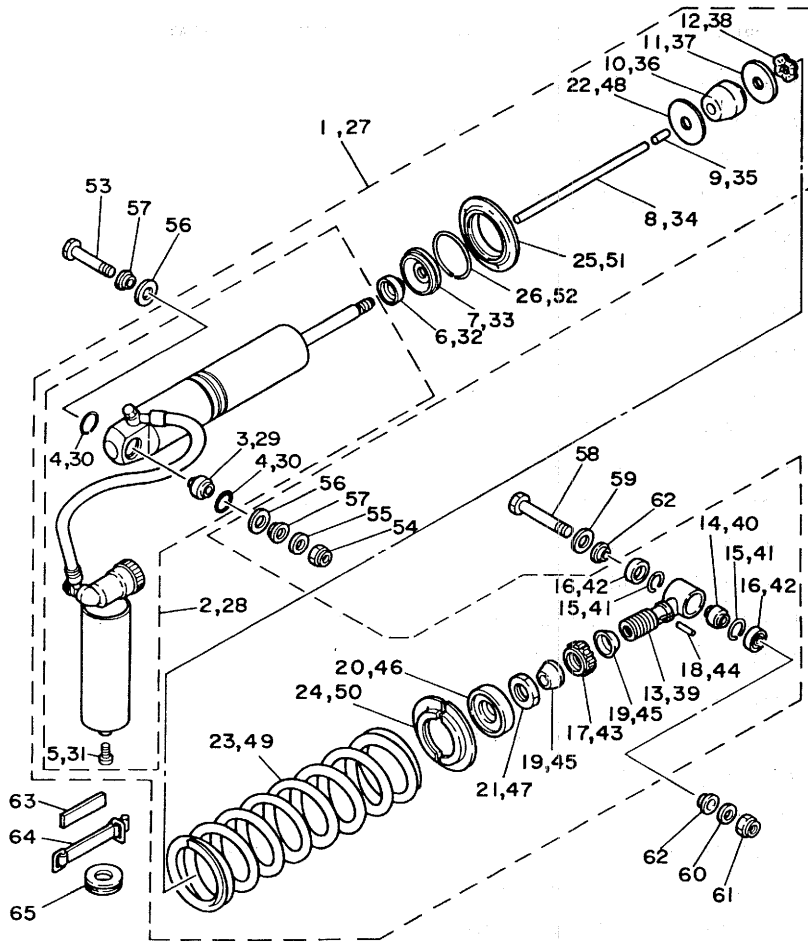
REF. NO.	PART NO.	DESCRIPTION	Q'TY	REMARKS
29	93399-99916	..BEARING	1	
30	93440-30113	..CIRCLIP	2	
31	98501-04006	..SCREW, pan head	1	
32	23X-22475-00	..SEAL, dust	1	
33	26A-22472-00	..CAP, case	1	
34	39X-22489-00	..ROD, push	1	
35	93604-21193	..PIN, dowel	1	
36	39X-22493-00	..BUMP, stop	1	
37	3R4-22228-00	..SUPPORT, bump stop	1	
38	90206-14067	..WASHER, wave	1	
39	39X-22409-00	..UPPER BRACKET SUB ASSY	1	
40	93399-99916	..BEARING	1	
41	93440-30113	..CIRCLIP	2	
42	93104-18077	..OIL SEAL	2	
43	5X3-22497-00	..NUT, adjusting	1	
44	93604-26132	..PIN, dowel	1	
45	3R4-22221-01	..COVER	2	
46	23X-22213-00	..SEAT, spring upper	1	
47	90170-20213	..NUT	1	
48	39X-22482-00	..STOPPER	1	
49	39X-22212-00-6W	..SPRING	1	native red
50	23X-22214-00	..GUIDE, spring l	2	
51	23X-22223-00	..SEAT, spring lower	1	
52	93440-51103	..CIRCLIP	1	
53	90109-10704	BOLT	1	
54	90185-10120	NUT, self-locking	1	
55	90201-10430	WASHER, plate	1	
56	23X-22211-00	COVER	2	



43N300-4200

C14

FIG. 21 REAR SUSPENSION



REF. NO.	PART NO.	DESCRIPTION	Q'TY	REMARKS
57	90387-127G8	COLLAR	2	
58	90109-10700	BOLT	1	
59	90201-120E6	WASHER, plate	1	
60	90201-100E9	WASHER, plate	1	
61	90185-10120	NUT, self-locking	1	
62	90387-126H8	COLLAR	2	
63	24X-22261-00	DAMPER, sub tank	1	
64	24X-22262-00	HOLDER, sub tank	1	
65	90480-25381	GROMMET	1	



43N300-4200

C15

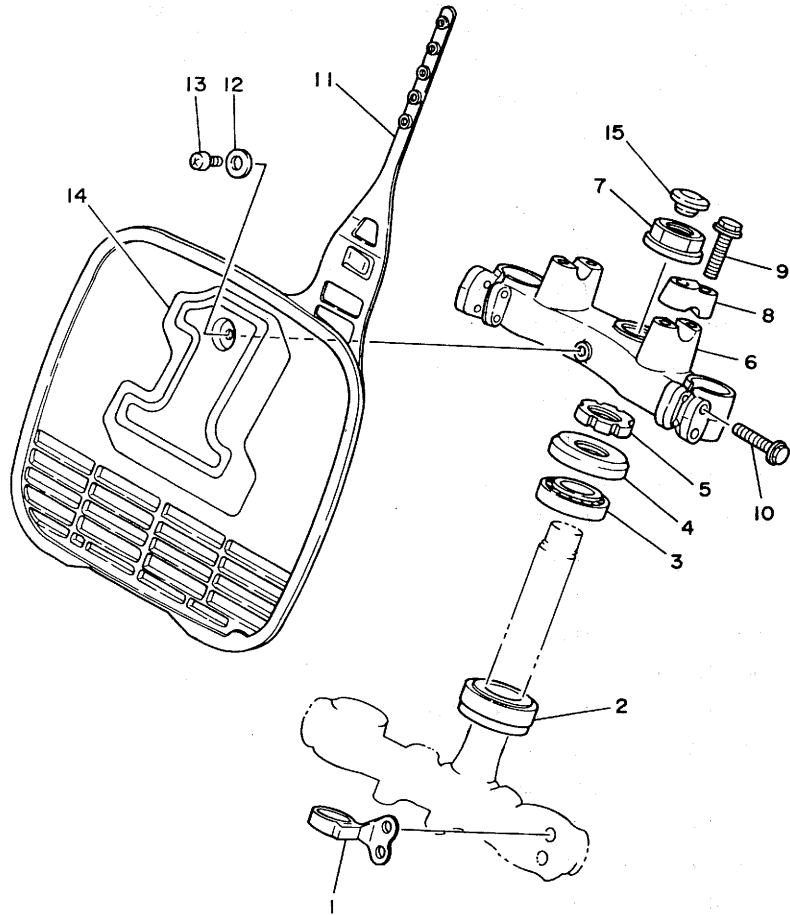


FIG. 22 STEERING

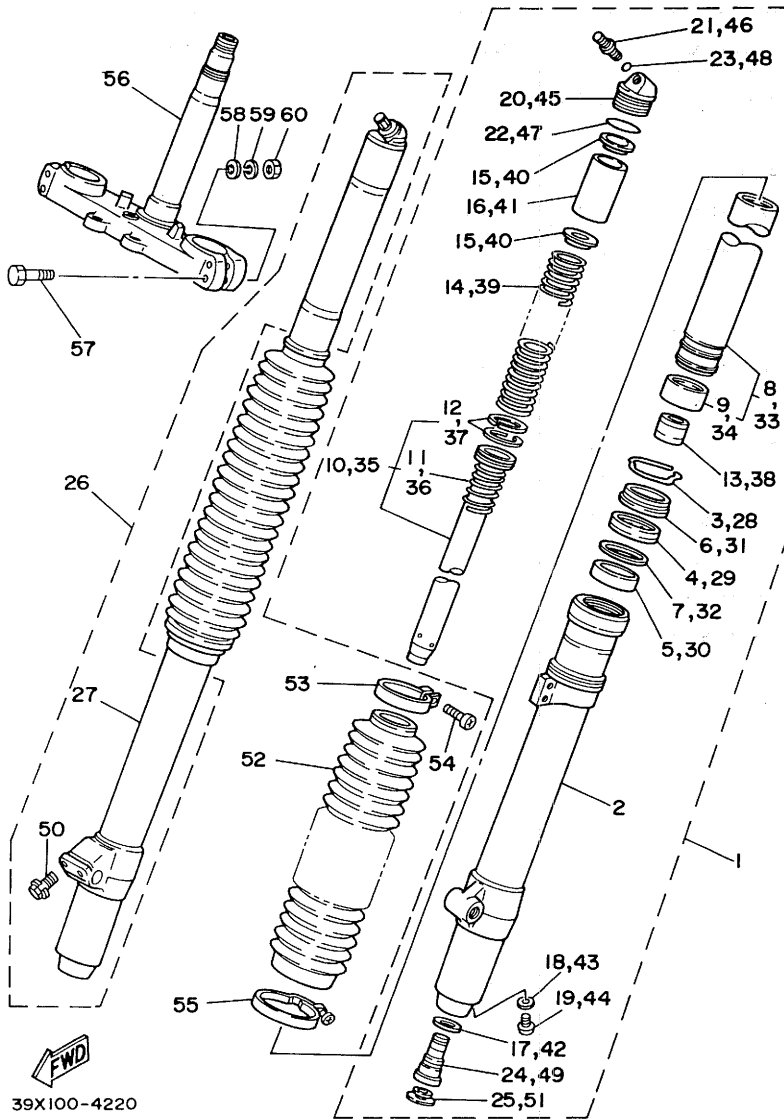
REF. NO.	PART NO.	DESCRIPTION	Q'TY	REMARKS
1	3R4-23389-00	GUIDE, cable	1	
2	93332-00008	BEARING	1	
3	93332-00023	BEARING	1	
4	1W1-23416-00	COVER, ball race 2	1	
5	90179-25033	NUT	1	
6	39W-23435-00-98	CROWN, handle	1	low gloss black
7	90179-22330	NUT	1	
8	1E6-23441-00	HOLDER, handle upper	2	
9	95821-08035	BOLT, flange	4	
10	95821-08040	BOLT, flange	4	
11	24X-23485-10	PLATE, number	1	white
12	90201-06571	WASHER, plate	1	
13	92501-06012	SCREW, pan head	1	
14	24X-23395-00	EMBLEM	1	for Oceania
15	34K-23190-00	CAP	1	



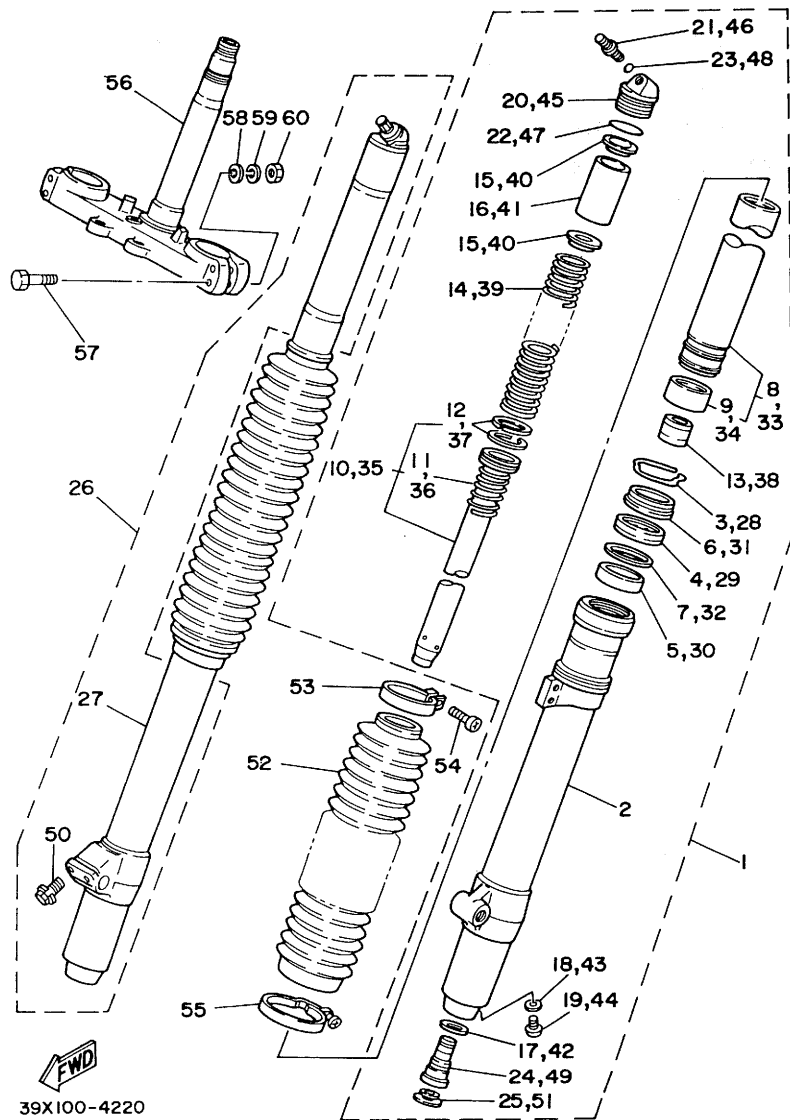
24Y100-3221

FIG. 23 FRONT FORK 1 (FOR OCEANIA)

REF. NO.	PART NO.	DESCRIPTION	Q'TY	REMARKS
1	39X-23102-L0	FRONT FORK ASSY (L:H)	1	
2	39X-23126-00-38	.TUBE, outer 1	1	
3	4V4-23153-L0	.RING, snap	1	
4	23X-23145-L0	.OIL SEAL	1	
5	4V4-23125-L0	.METAL, slide 1	1	
6	23X-23144-L0	.SEAL, dust	1	
7	4V4-23146-L0	.WASHER, oil seal	1	
8	39X-23110-00	.INNER TUBE COMP.1	1	
9	4V4-23171-L0	..PISTON, front fork	1	
10	39X-23170-20	.CYLINDER COMP., front fork	1	
11	5X6-23152-L0	..SPRING, sub	1	
12	4V4-23157-L0	..RING, piston	2	
13	23X-23173-L0	.SPINDLE, taper	1	
14	39X-23141-00	.SPRING, front fork	1	
15	4V4-23142-L0	.SEAT, spring upper	2	
16	39X-23118-00	.SPACER	1	
17	23X-23158-L0	.GASKET	1	
18	122-23129-00	.GASKET, drain plug	1	
19	4H7-23119-00	.PLUG, drain	1	
20	43M-23111-L0	.BOLT, cap	1	
21	23X-23190-L0	.AIR VALVE COMP.	1	
22	4V4-23188-L0	.O-RING	1	
23	3J2-23147-00	.O-RING	1	
24	39X-2316A-00	.VALVE COMP.	1	
25	43M-23126-L0	.PLUG	1	
26	39X-23103-L0	FRONT FORK ASSY (R.H)	1	
27	39X-23136-00-38	.TUBE, outer 2	1	
28	4V4-23153-L0	.RING, snap	1	



D3



39X100-4220

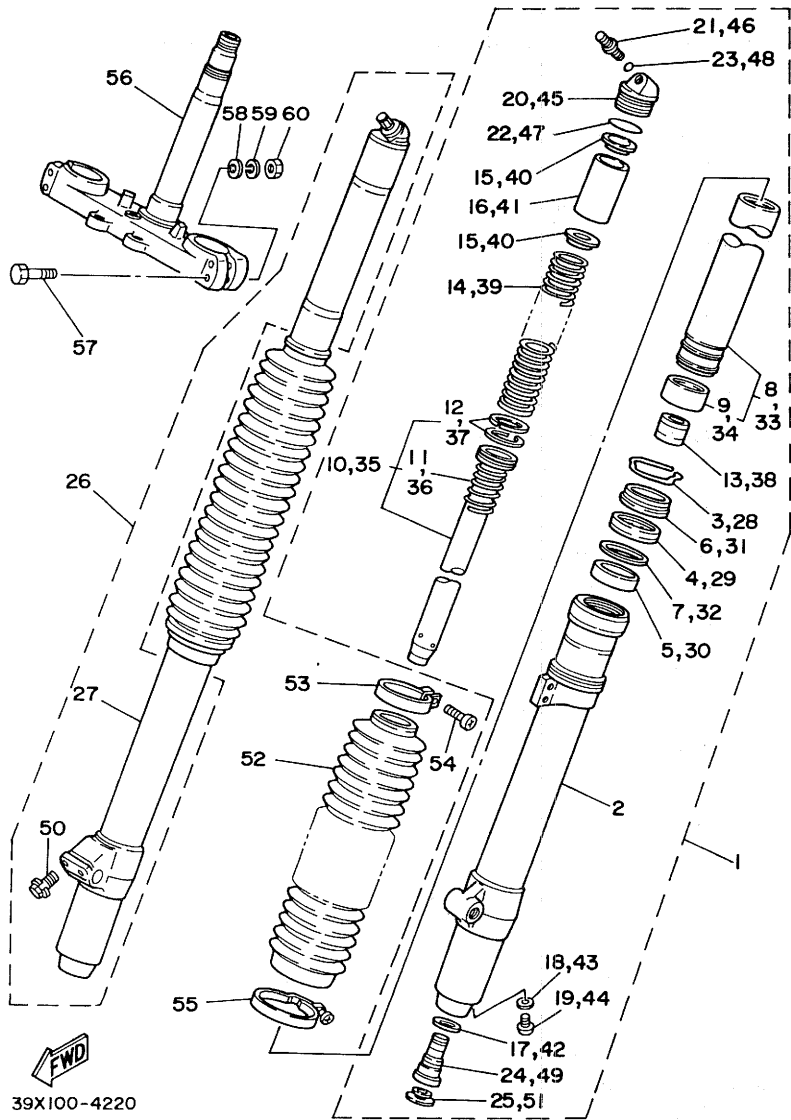
FIG. 23 FRONT FORK 1 (FOR OCEANIA)

REF. NO.	PART NO.	DESCRIPTION	Q'TY	REMARKS
29	23X-23145-L0	.OIL SEAL	1	
30	4V4-23125-L0	.METAL, slide 1	1	
31	23X-23144-L0	.SEAL, dust	1	
32	4V4-23146-L0	.WASHER, oil seal	1	
33	39X-23110-00	.INNER TUBE COMP.1	1	
34	4V4-23171-L0	.PISTON, front fork	1	
35	39X-23170-20	.CYLINDER COMP., front fork	1	
36	5X6-23152-L0	.SPRING, sub	1	
37	4V4-23157-L0	.RING, piston	2	
38	23X-23173-L0	.SPINDLE, taper	1	
39	39X-23141-00	.SPRING, front fork	1	
40	4V4-23142-L0	.SEAT, spring upper	2	
41	39X-23118-00	.SPACER	1	
42	23X-23158-L0	.GASKET	1	
43	122-23129-00	.GASKET, drain plug	1	
44	4H7-23119-00	.PLUG, drain	1	
45	43M-23111-L0	.BOLT, cap	1	
46	23X-23190-L0	.AIR VALVE COMP.	1	
47	4V4-23188-L0	.O-RING	1	
48	3J2-23147-00	.O-RING	1	
49	39X-2316A-00	.VALVE COMP.	1	
50	5X6-23181-L0	.BOLT, hexagon socket head	2	
51	43M-2312G-L0	.PLUG	1	
52	43M-23191-L0	BOOT	2	red
53	43M-23192-L0	BAND	2	
54	98506-04018	SCREW, pan head	2	
55	43M-23489-L0	BAND	2	
56	39X-23340-00	UNDER BRACKET COMP.	1	

D4

FIG. 23 FRONT FORK 1 (FOR OCEANIA)

REF. NO.	PART NO.	DESCRIPTION	Q'TY	REMARKS
57	90109-08387	BOLT	4	
58	90201-08544	WASHER, plate	4	
59	92901-08100	WASHER, spring	4	
60	95311-08600	NUT	4	



D5

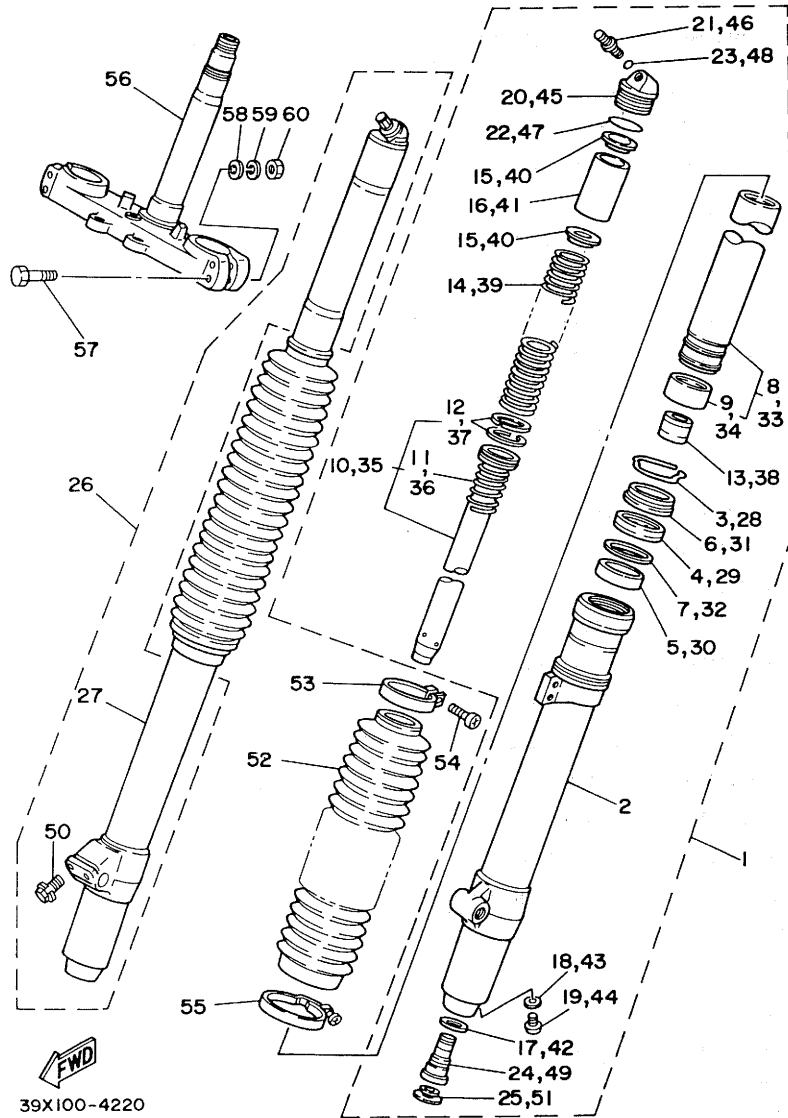
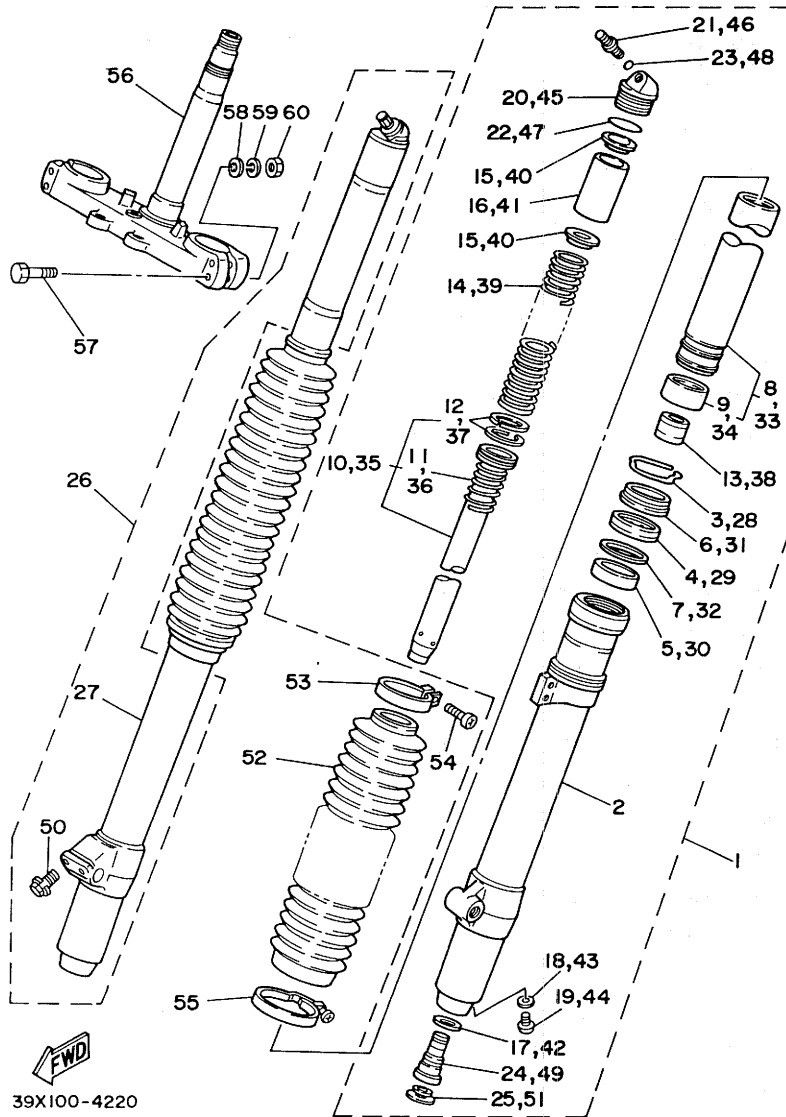


FIG. 24 FRONT FORK 2 (EXCEPT OCEANIA)

REF. NO.	PART NO.	DESCRIPTION	Q'TY	REMARKS
1	39X-23102-M0	FRONT FORK ASSY (L.H)	1	
2	39X-23126-00-38	.TUBE, outer 1	1	
3	4V4-23153-L0	.RING, snap	1	
4	23X-23145-L0	.OIL SEAL	1	
5	4V4-23125-L0	.METAL, slide 1	1	
6	23X-23144-L0	.SEAL, dust	1	
7	4V4-23146-L0	.WASHER, oil seal	1	
8	39X-23110-00	.INNER TUBE COMP.1	1	
9	4V4-23171-L0	..PISTON, front fork	1	
10	39X-23170-20	.CYLINDER COMP., front fork	1	
11	5X6-23152-L0	..SPRING, sub	1	
12	4V4-23157-L0	..RING, piston	2	
13	23X-23173-L0	.SPINDLE, taper	1	
14	39X-23141-00	.SPRING, front fork	1	
15	4V4-23142-L0	.SEAT, spring upper	2	
16	5X6-23118-10	.SPACER (L=80)	1	
17	23X-23158-L0	.GASKET	1	
18	122-23129-00	.GASKET, drain plug	1	
19	4H7-23119-00	.PLUG, drain	1	
20	43M-23111-L0	.BOLT, cap	1	
21	23X-23190-L0	.AIR VALVE COMP.	1	
22	4V4-23188-L0	.O-RING	1	
23	3J2-23147-00	.O-RING	1	
24	39X-2316A-00	.VALVE COMP.	1	
25	43M-2312G-L0	.PLUG	1	
26	39X-23103-M0	FRONT FORK ASSY (R.H)	1	
27	39X-23136-00-38	.TUBE, outer 2	1	
28	4V4-23153-L0	.RING, snap	1	

D6

FIG. 24 FRONT FORK 2 (EXCEPT OCEANIA)

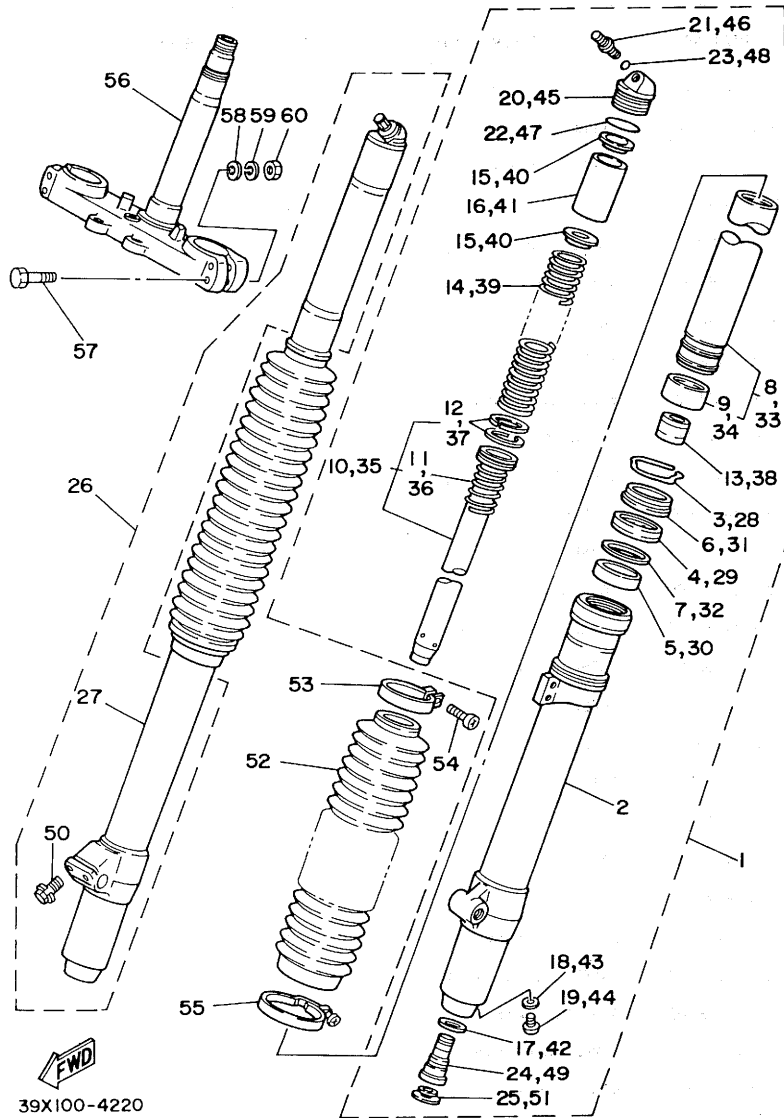


39X100-4220

REF. NO.	PART NO.	DESCRIPTION	Q'TY	REMARKS
29	23X-23145-L0	.OIL SEAL	1	
30	4V4-23125-L0	.METAL, slide 1	1	
31	23X-23144-L0	.SEAL, dust	1	
32	4V4-23146-L0	.WASHER, oil seal	1	
33	39X-23110-00	.INNER TUBE COMP.1	1	
34	4V4-23171-L0	..PISTON, front fork	1	
35	39X-23170-20	.CYLINDER COMP., front fork	1	
36	5X6-23152-L0	..SPRING, sub	1	
37	4V4-23157-L0	..RING, piston	2	
38	23X-23173-L0	.SPINDLE, taper	1	
39	39X-23141-00	.SPRING, front fork	1	
40	4V4-23142-L0	.SEAT, spring upper	2	
41	5X6-23118-10	.SPACER (L=80)	1	
42	23X-23158-L0	.GASKET	1	
43	122-23129-00	.GASKET, drain plug	1	
44	4H7-23119-00	.PLUG, drain	1	
45	43M-23111-L0	.BOLT, cap	1	
46	23X-23190-L0	.AIR VALVE COMP.	1	
47	4V4-23188-L0	.O-RING	1	
48	3J2-23147-00	.O-RING	1	
49	39X-2316A-00	.VALVE COMP.	1	
50	5X6-23181-L0	.BOLT, hexagon socket head	2	
51	43M-2312G-L0	.PLUG	1	
52	43M-23191-L0	BOOT	2	red
53	43M-23192-L0	BAND	2	
54	98506-04018	SCREW, pan head	2	
55	43M-23489-L0	BAND	2	
56	39X-23340-00	UNDER BRACKET COMP.	1	

D7

FIG. 24 FRONT FORK 2 (EXCEPT OCEANIA)



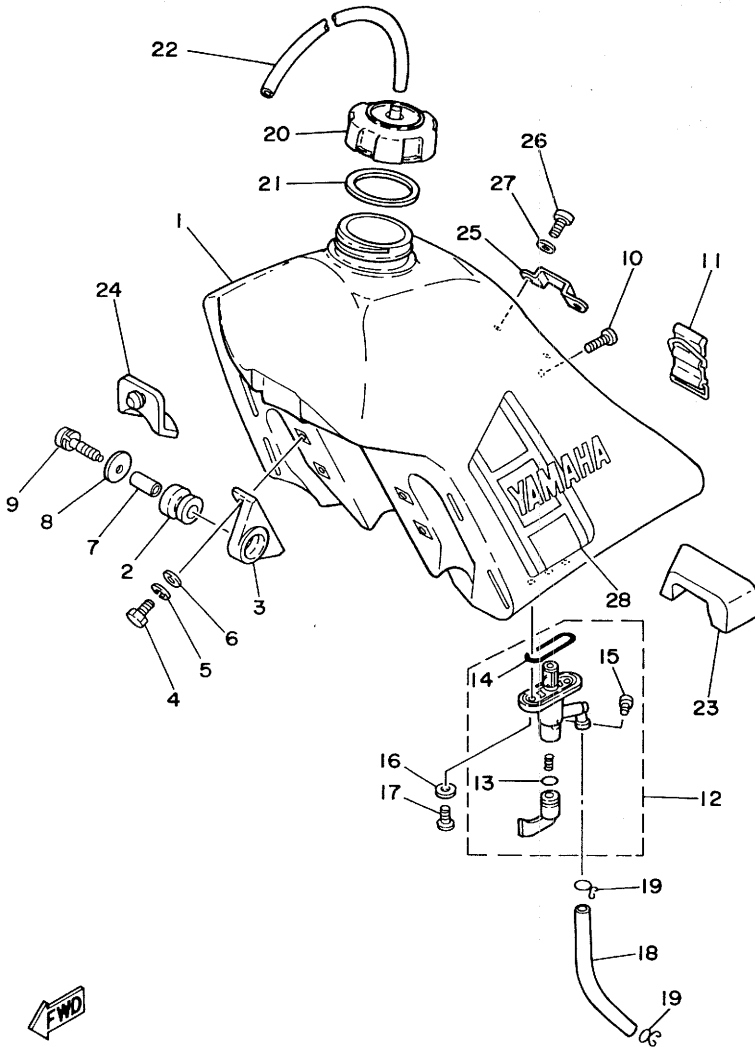
REF. NO.	PART NO.	DESCRIPTION	Q'TY	REMARKS
57	90109-08397	BOLT	4	
58	90201-08544	WASHER, plate	4	
59	92901-08100	WASHER, spring	4	
60	95311-08600	NUT	4	

FWD
39X100-4220

D8

FIG. 25 FUEL TANK

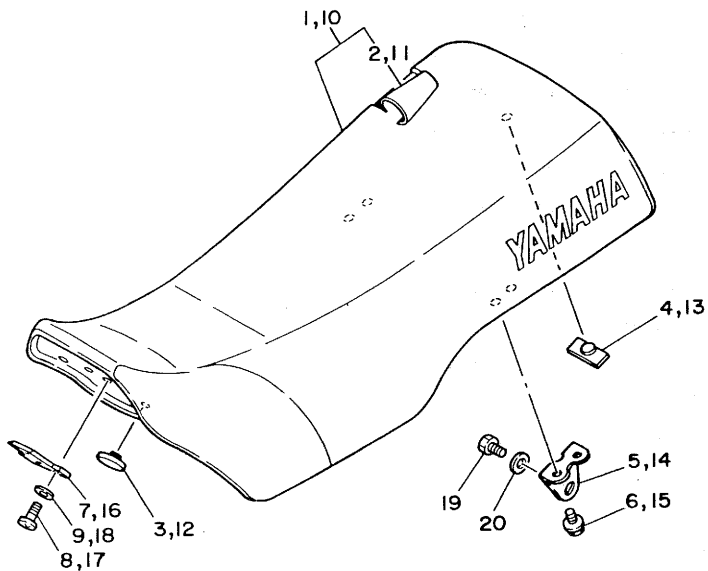
REF. NO.	PART NO.	DESCRIPTION	Q'TY	REMARKS
1	39X-24110-10	FUEL TANK COMP.	1	white
2	90480-18354	GROMMET	2	
3	24X-24144-00	HOLDER, damper	2	
4	97301-06012	BOLT	4	
5	92901-06100	WASHER, spring	4	
6	92901-06600	WASHER, plate	4	
7	90387-06553	COLLAR	2	
8	90201-06407	WASHER, plate	2	
9	90119-06073	BOLT, with washer	2	
10	98902-06018	SCREW, bind	1	
11	3R3-24173-00	BAND, tank fitting 1	1	
12	2K5-24500-00	FUEL COCK ASSY 1	1	
13	214-24512-00	.GASKET	1	
14	1A0-24512-00	.O-RING	1	
15	619-24535-00	.SCREW, lever fitting	1	
16	90202-06010	WASHER, plate	2	
17	90149-06011	SCREW	2	
18	90445-11356	HOSE	1	
19	90467-10008	CLIP	2	
20	5X7-24611-01	BODY, cap	1	
21	5X7-24612-00	GASKET, cap	1	
22	90445-09300	HOSE	1	
23	39X-24181-00	DAMPER, locating 1	1	
24	23X-24184-00	DAMPER, locating 4	1	
25	5X6-2412F-00	BRACKET, seat	1	
26	92501-06012	SCREW, pan head	2	
27	92901-06600	WASHER, plate	2	
28	39X-24250-10	GRAPHIC SET	1	for w



39X100-4230

D9

FIG. 26 SEAT



REF. NO.	PART NO.	DESCRIPTION	Q'TY	REMARKS
1	39X-W2473-20	SEMI-DOUBLE SEAT ASSY	1	UR red for Europe
2	23X-24731-20	.COVER, seat	1	
3	22W-24741-00	PAD, seat	2	
4	509-24724-00	DAMPER, seat	1	
5	39W-24738-00	BRACKET, seat	2	
6	95801-06012	BOLT, flange	4	
7	5X6-24748-00	BRACKET, seat	1	
8	92501-06012	SCREW, pan head	2	
9	92901-06600	WASHER, plate	2	
10	39X-W2473-10	SEMI-DOUBLE SEAT ASSY	1	UR red except Europe
11	23X-24731-10	.COVER, seat	1	
12	22W-24741-00	PAD, seat	2	
13	509-24724-00	DAMPER, seat	1	
14	39W-24738-00	BRACKET, seat	2	
15	95801-06012	BOLT, flange	4	
16	5X6-24748-10	BRACKET, seat	1	
17	92501-06012	SCREW, pan head	2	
18	92901-06600	WASHER, plate	2	
19	97321-08016	BOLT	2	
20	90201-087F0	WASHER, plate	2	



24Y100-3251

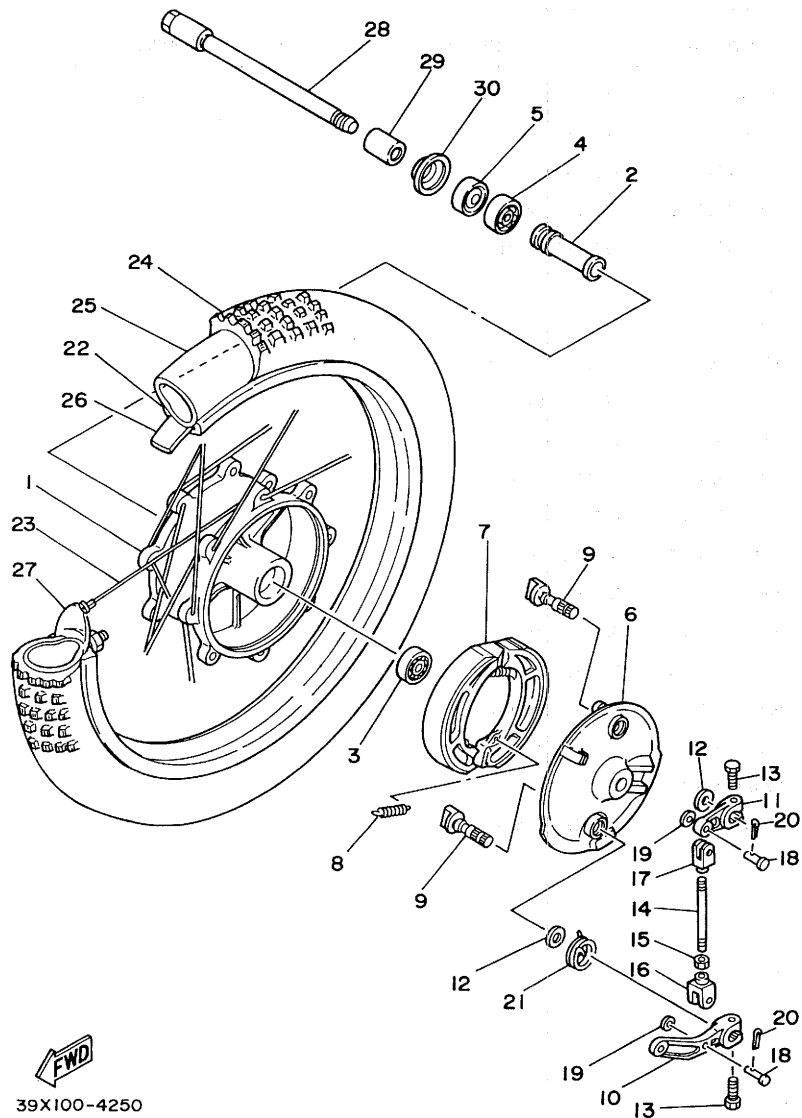


FIG. 27 FRONT WHEEL

REF. NO.	PART NO.	DESCRIPTION	Q'TY	REMARKS
1	39W-25111-00-98	HUB, front	1	low gloss black
2	90560-15227	SPACER	1	
3	93306-20203	BEARING (B6202RS)	1	
4	93306-20205	BEARING (B6202)	1	
5	93106-20021	OIL SEAL	1	
6	5X6-25121-00-98	PLATE, brake shoe	1	low gloss black
7	3R5-25130-00	BRAKE SHOE COMP.	2	
8	90506-16036	SPRING, tension	2	
9	23X-25151-00	CAMSHAFT	2	
10	5X6-25155-00	LEVER, camshaft 1	1	
11	5X6-25156-00	LEVER, camshaft 2	1	
12	137-25159-00	SEAL, camshaft	2	
13	90101-06291	BOLT	2	
14	3R5-25161-00	ROD, connecting	1	
15	95301-06700	NUT	1	
16	3R5-25163-00	END, rod 1	1	
17	3R5-25164-00	END, rod 2	1	
18	90240-06006	PIN, clevis	2	
19	92901-06200	WASHER, plain	2	
20	91401-20015	PIN, cotter	2	
21	90508-20425	SPRING, torsion	1	
22	94416-21382	RIM (1.60-21)	1	
23	39W-25104-00	SPOKE SET, front	1	
24	94109-210F2	TIRE (90/90-21)	1	UR bridgestone except Europe
	94130-21732	TIRE (3.00-21)	1	UR bridgestone for Europe
25	94227-21123	TUBE (2.75-21)	1	bridgestone
26	94330-21084	BAND, rim (3.00-21)	1	bridgestone
27	4V5-25194-00	SPACER, bead	1	

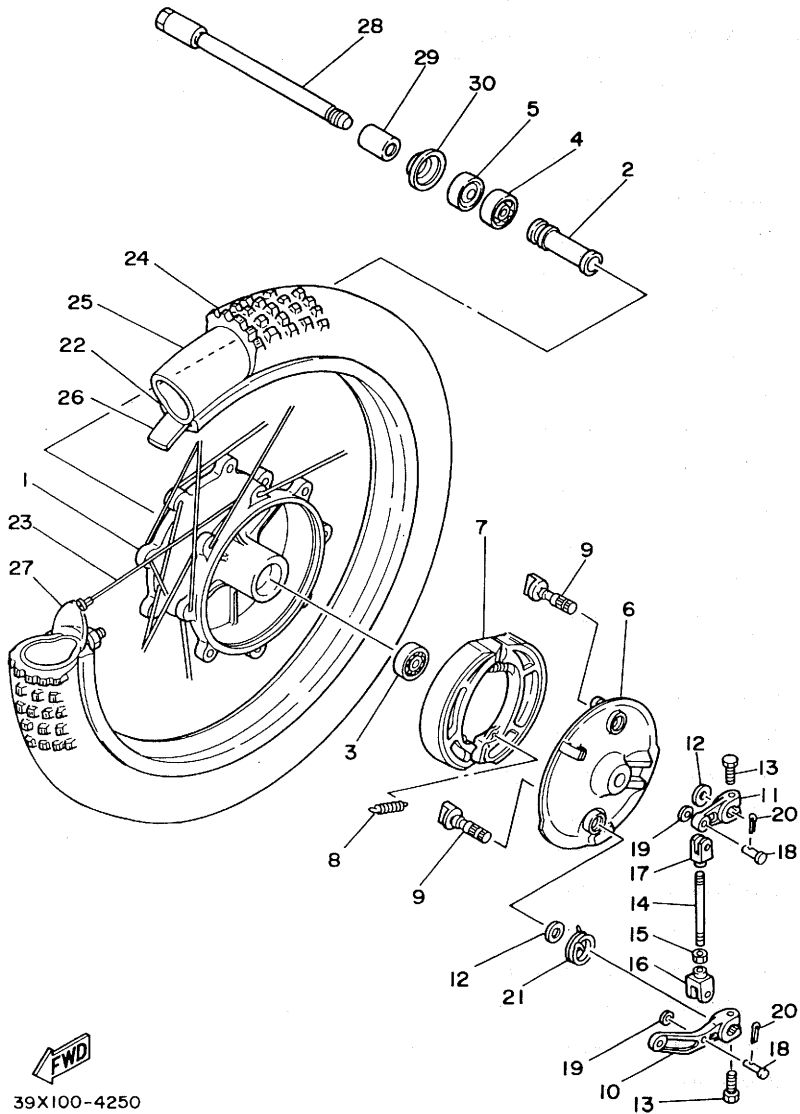


39X100-4250

DIT

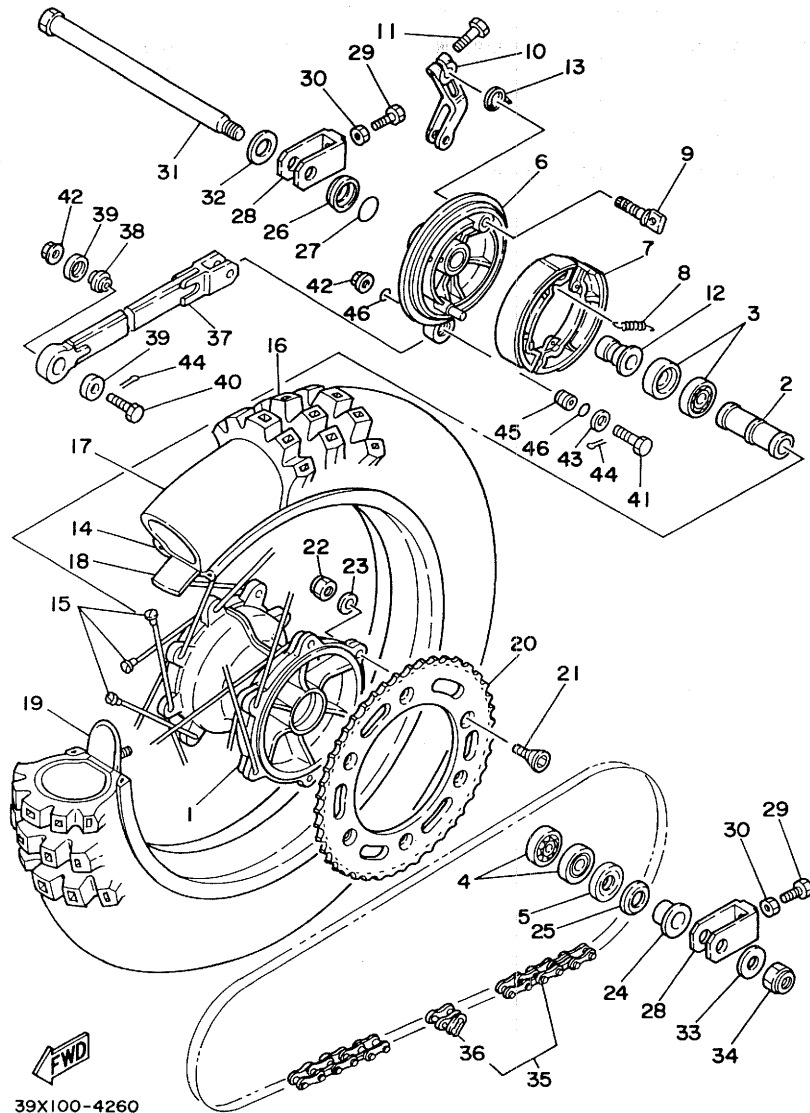
FIG. 27 FRONT WHEEL

REF. NO.	PART NO.	DESCRIPTION	Q'TY	REMARKS
28	3R4-25181-01	AXLE, wheel	1	
29	90387-15535	COLLAR	1	
30	322-25118-00	COVER, hub dust	1	



39X100-4250

D12



39X100-4260

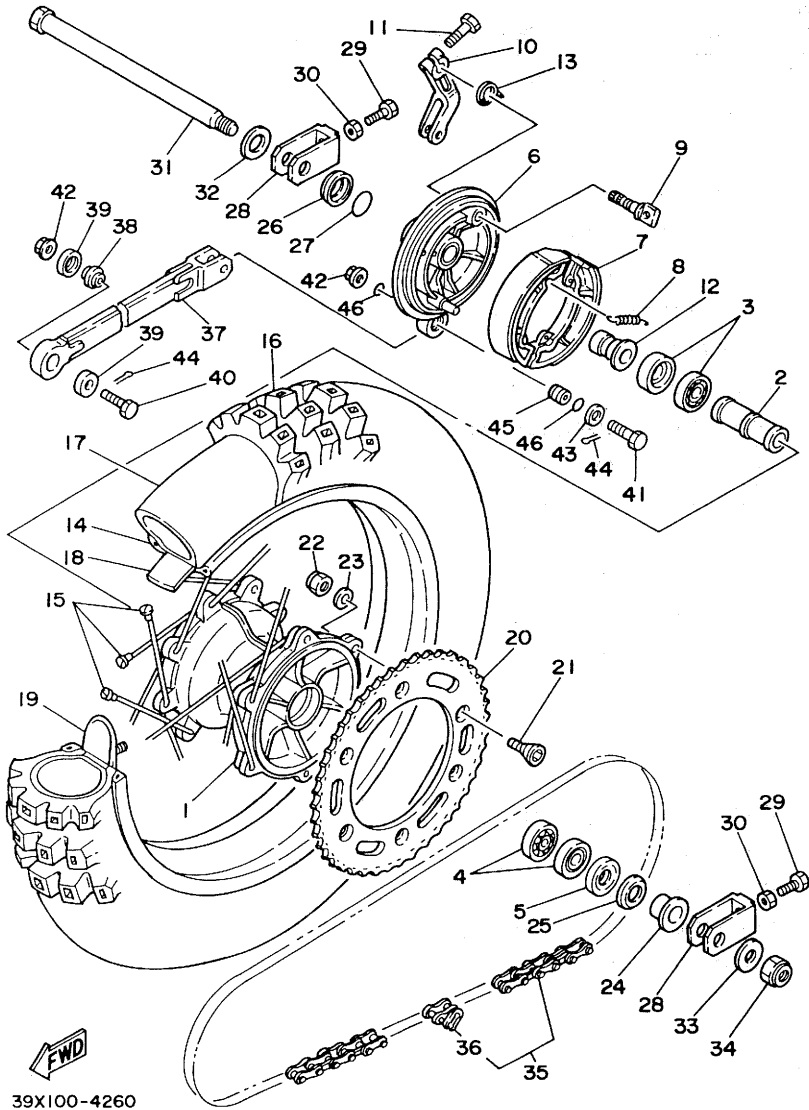
FIG. 28 REAR WHEEL

REF. NO.	PART NO.	DESCRIPTION	Q'TY	REMARKS
1	39X-25311-00-98	HUB, rear	1	low gloss black
2	90560-20226	SPACER	1	
3	93306-00430	BEARING	2	
4	93306-00406	BEARING (B6004Z)	2	
5	93106-28023	OIL SEAL	1	
6	23X-25321-00-98	PLATE, brake shoe	1	low gloss black
7	23X-25330-00	BRAKE SHOE COMP.	2	
8	90506-16036	SPRING, tension	2	
9	39X-25351-00	CAMSHAFT	1	
10	5X4-25355-00	LEVER, camshaft	1	
11	90101-06291	BOLT	1	
12	90387-200H1	COLLAR	1	
13	90508-29596	SPRING, torsion	1	
14	94421-18383	RIM (2.15-18)	1	
15	39X-25304-00	SPOKE SET, rear	1	
16	94113-180F4	TIRE (130/80-18)	1	UR bridgestone except Europe
	94151-18736	TIRE (5.10-18)	1	UR bridgestone for Europe
17	94251-18150	TUBE (5.10-18)	1	bridgestone
18	94340-18086	BAND, rim (4.00-18)	1	bridgestone
19	39X-25394-00	SPACER, bead	2	
20	3R4-25448-00	SPROCKET, driven (48T)	1	
	3R4-25444-01	SPROCKET, driven (44T)	1	AP
	3R4-25445-00	SPROCKET, driven (45T)	1	AP
	3R4-25446-00	SPROCKET, driven (46T)	1	AP
	3R4-25450-00	SPROCKET, driven (50T)	1	AP
	3R4-25452-00	SPROCKET, driven (52T)	1	AP
21	90109-08706	BOLT	6	
22	95611-08100	NUT, u	6	

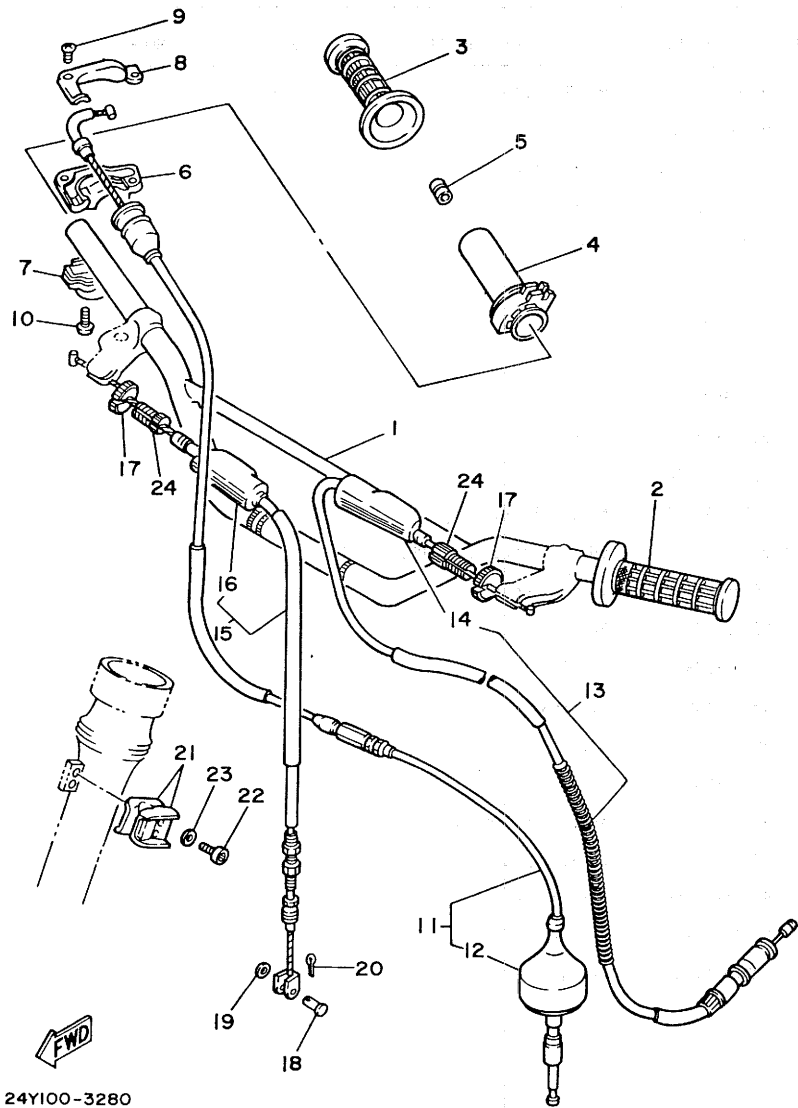
D13

FIG. 28 REAR WHEEL

REF. NO.	PART NO.	DESCRIPTION	Q'TY	REMARKS
23	90201-081A6	WASHER, plate	6	
24	90387-200H2	COLLAR	1	
25	4V4-25367-00	COVER, hub dust	1	
26	23X-25327-00	COVER, plate	1	
27	93210-31114	O-RING	1	
28	39X-25388-00	PULLER, chain 1	2	
29	90101-08475	BOLT	2	
30	95301-08700	NUT	2	
31	23X-25381-00	AXLE, wheel	1	
32	90209-21243	WASHER	1	
33	90209-18244	WASHER	1	
34	90185-18104	NUT, self-locking	1	
35	94585-20112	CHAIN, drive (DID520DS 112L)	1	
36	94685-20001	JOINT, chain	1	
37	23X-25371-00	BAR, tension	1	
38	93399-99910	BEARING	1	
39	93112-19006	OIL SEAL	2	
40	90102-08034	BOLT, with hole	1	
41	90109-08370	BOLT	1	
42	90185-08113	NUT, self-locking	2	
43	92901-08600	WASHER, plate	1	
44	91401-20015	PIN, cotter	2	
45	90387-083F0	COLLAR	1	
46	93210-14167	O-RING	2	



39X100-4260



24Y100-3280

FIG. 29 STEERING HANDLE. CABLE

REF. NO.	PART NO.	DESCRIPTION	Q'TY	REMARKS
1	23X-26111-00	HANDLEBAR	1	
2	4V4-26241-01	GRIP (L.H)	1	
3	4V4-26242-01	GRIP (R.H)	1	
4	23X-26243-00	TUBE, throttle guide	1	
5	688-82535-00	GROMMET	1	
6	23X-26281-00	CAP, grip upper	1	
7	431-26282-01-98	CAP, grip lower	1	low gloss black
8	5X2-2628H-01	CAP, wire	1	
9	98606-04012	SCREW, oval head	2	
10	98506-05016	SCREW, pan head	2	
11	23X-26311-00	CABLE, throttle 1	1	
12	510-26329-00	.CAP, rubber	1	
13	39X-26335-00	CABLE, clutch	1	
14	382-26372-01	.COVER, handle lever 1	1	
15	5X6-26341-00	CABLE, brake	1	
16	382-26372-01	.COVER, handle lever 1	1	
17	90179-08401	NUT	2	
18	91701-06018	PIN, clevis	1	
19	92901-06200	WASHER, plain	1	
20	91401-20015	PIN, cotter	1	
21	90465-16258	CLAMP	2	
22	91311-06016	BOLT	2	
23	92901-06600	WASHER, plate	2	
24	90123-08090	BOLT	2	

D15

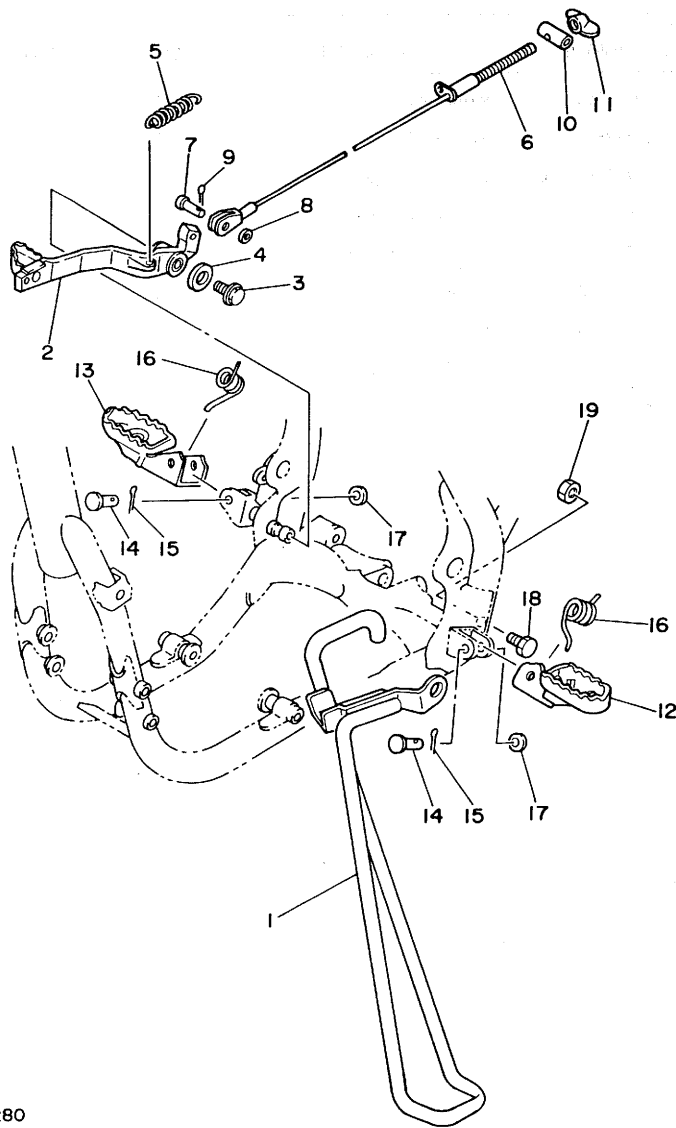


FIG. 30 STAND. FOOTREST

REF. NO.	PART NO.	DESCRIPTION	Q'TY	REMARKS
1	39X-27311-00	STAND, side	1	
2	39X-27200-00	PEDAL, brake	1	
3	95801-08016	BOLT, flange	1	
4	90201-08730	WASHER, plate	1	
5	90506-18305	SPRING, tension	1	
6	39X-26351-00	CABLE, brake	1	
7	91790-08021	PIN, clevis	1	
8	90201-08544	WASHER, plate	1	
9	91401-25012	PIN, cotter	1	
10	90249-12008	PIN	1	
11	90175-06016	NUT, wing	1	
12	23X-27411-01	FOOTREST 1	1	
13	23X-27421-01	FOOTREST 2	1	
14	90240-10101	PIN, clevis	2	
15	91401-25020	PIN, cotter	2	
16	90508-20583	SPRING, torsion	2	
17	90201-10119	WASHER, plate	2	
18	90101-06586	BOLT	1	
19	95301-06700	NUT	1	

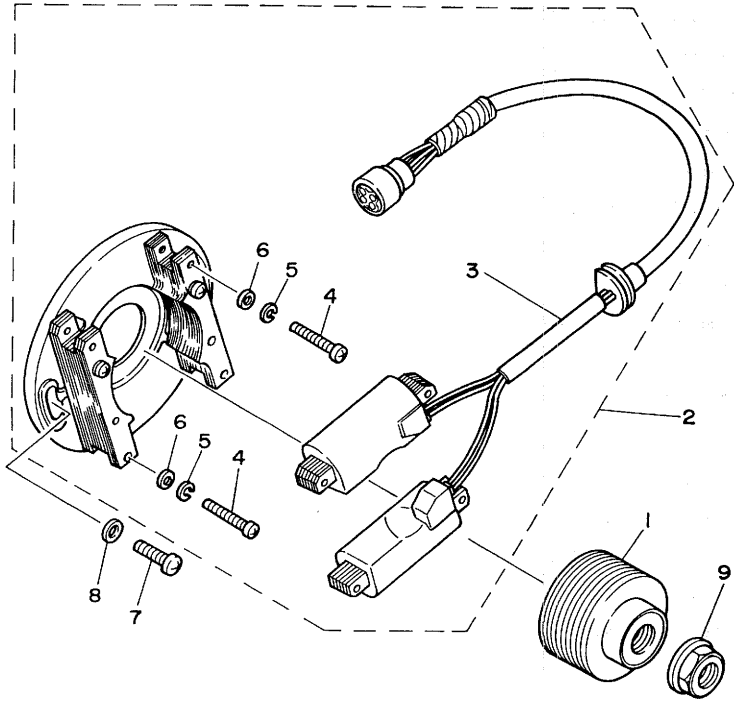


39X100-4280

E2

FIG. 31 GENERATOR

REF. NO.	PART NO.	DESCRIPTION	Q'TY	REMARKS
1	39X-85550-10	ROTOR ASSY	1	
2	39X-85510-10	STATOR ASSY	1	
3	39X-85520-10	.COIL, charge	1	
4	98501-05020	.SCREW, pan head	6	
5	92902-05100	.WASHER, spring	6	
6	92901-05600	.WASHER, plate	6	
7	92501-06014	SCREW, pan head	2	
8	92901-06600	WASHER, plate	2	
9	90179-10257	NUT	1	



FWD
5X5100-2042

E3

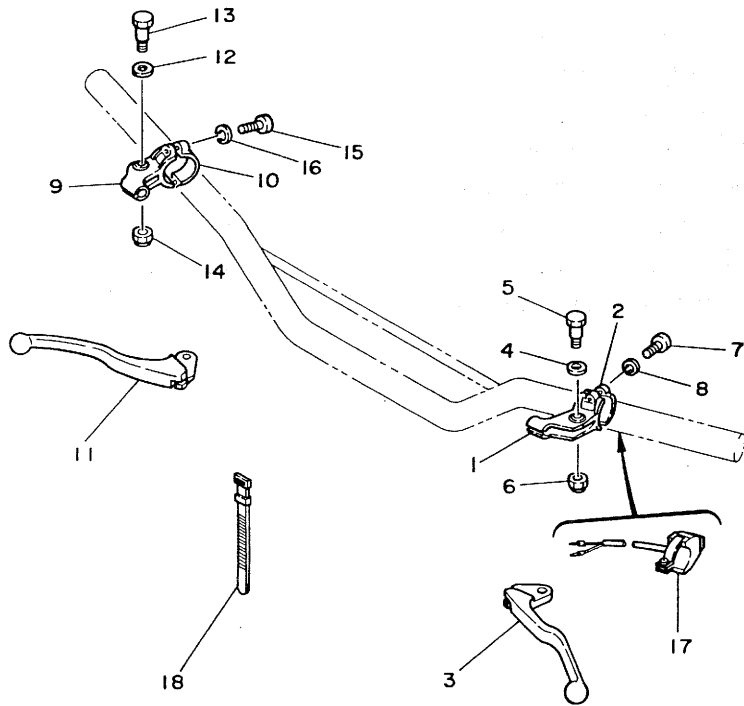


FIG. 32 HANDLE SWITCH. LEVER

REF. NO.	PART NO.	DESCRIPTION	Q'TY	REMARKS
1	38V-82911-00	HOLDER, lever 1	1	
2	38V-82913-00	HOLDER, lever lower 1	1	
3	23X-83912-00	LEVER 1	1	
4	90201-08083	WASHER, plate	1	
5	90109-06410	BOLT	1	
6	95601-06100	NUT, u	1	
7	98506-05018	SCREW, pan head	2	
8	92906-05100	WASHER, spring	2	
9	38V-82921-00	HOLDER, lever 2	1	
10	38V-82913-00	HOLDER, lever lower 1	1	
11	23X-83922-00	LEVER 2	1	
12	90201-08083	WASHER, plate	1	
13	90109-06410	BOLT	1	
14	95601-06100	NUT, u	1	
15	98506-05018	SCREW, pan head	2	
16	92906-05100	WASHER, spring	2	
17	23X-83976-00	SWITCH, handle 1	1	
18	437-83936-00	BAND, switch cord	2	



39W100-4300

E4

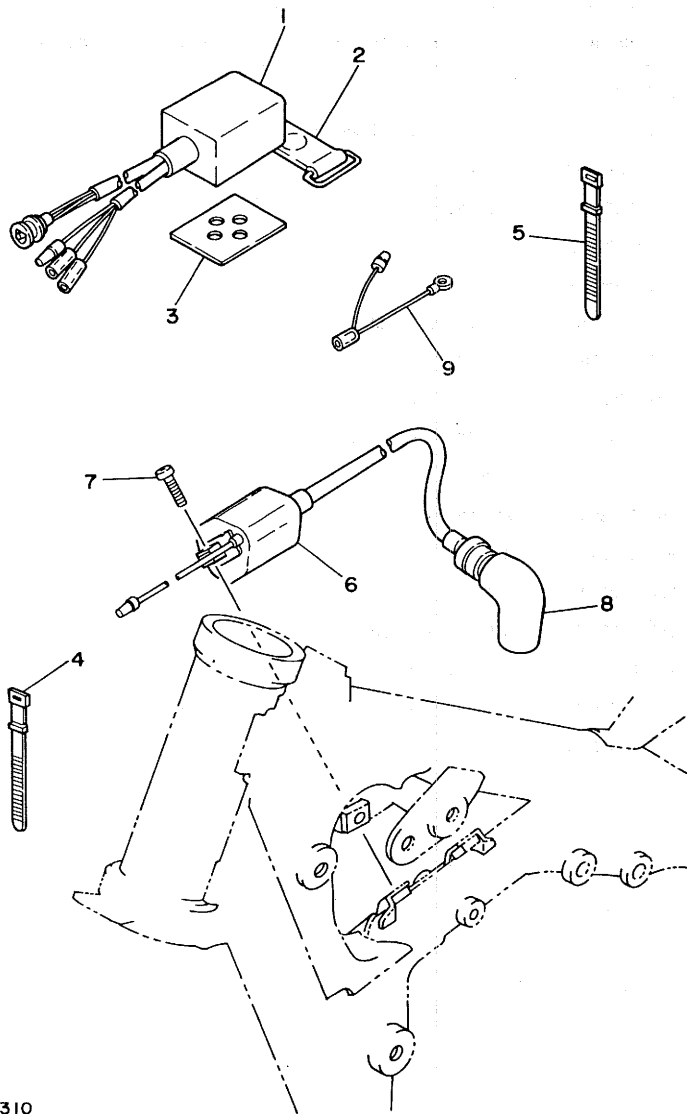


FIG. 33 ELECTRICAL 1

REF. NO.	PART NO.	DESCRIPTION	Q'TY	REMARKS
1	39X-85540-10	C.D.I. UNIT ASSY	1	
2	288-21376-00	BAND, tool	1	
3	2K7-85547-00	DAMPER	1	
4	437-83936-10	BAND, switch cord	1	
5	256-83936-00	BAND, switch cord	1	
6	24X-82310-10	IGNITION COIL ASSY	1	
7	92502-06016	SCREW, pan head	2	
8	3R0-82370-20	PLUG CAP ASSY	1	UR
	1M1-82370-21	PLUG CAP ASSY	1	UR with noisesuppressor
9	5X1-82519-00	WIRE, earth lead	1	

FWD

39X100-4310

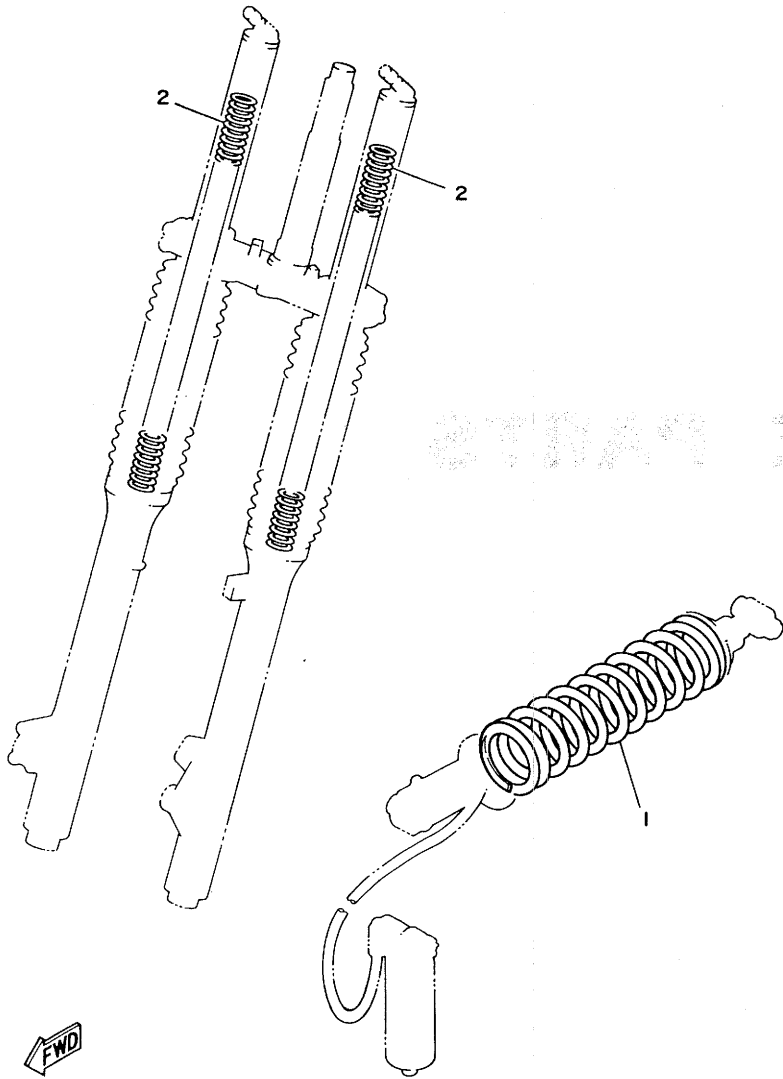
E5

ALTERNATE PARTS



FIG. 34 ALTERNATE (CHASSIS)

REF. NO.	PART NO.	DESCRIPTION	Q'TY	REMARKS
1	39X-22212-10-6W	SPRING (K=4.25)	1	UR native red,soft
	39X-22212-20-6W	SPRING (K=4.75)	1	UR native red,hard
2	39X-23141-10	SPRING, front fork (K=0.275)	2	UR soft
	39X-23141-20	SPRING, front fork (K=0.325)	2	UR hard



39W100-4320

E6

REPAIR KIT



FIG. 35 REPAIR KIT

REF. NO.	PART NO.	DESCRIPTION	Q'TY	REMARKS
1	39X-11630-00	PISTON ASSY (STD)	1	AP
	39X-11631-00-94	.PISTON (STD)	1	
2	39X-11601-00	.PISTON RING SET (STD)	1	
3	214-11633-00	.PIN, piston	1	
4	93450-19052	.CIRCLIP	2	
5	39X-11630-10	PISTON ASSY (1ST O/S)	1	AP
6	39X-11635-00	.PISTON (0.25MM O/S)	1	
7	39X-11601-10	.PISTON RING SET (1ST O/S)	1	
8	214-11633-00	.PIN, piston	1	
9	93450-19052	.CIRCLIP	2	
10	39X-11630-20	PISTON ASSY (2ND O/S)	1	AP
11	39X-11636-00	.PISTON (0.50MM O/S)	1	
12	39X-11601-20	.PISTON RING SET (2ND O/S)	1	
13	214-11633-00	.PIN, piston	1	
14	93450-19052	.CIRCLIP	2	
15	39X-11630-30	PISTON ASSY (3RD O/S)	1	AP
16	39X-11637-00	.PISTON (0.75MM O/S)	1	
17	39X-11601-30	.PISTON RING SET (3RD O/S)	1	
18	214-11633-00	.PIN, piston	1	
19	93450-19052	.CIRCLIP	2	
20	39X-11630-40	PISTON ASSY (4TH O/S)	1	AP
21	39X-11638-00	.PISTON (1.00MM O/S)	1	
22	39X-11601-40	.PISTON RING SET (4TH O/S)	1	
23	214-11633-00	.PIN, piston	1	
24	93450-19052	.CIRCLIP	2	
25	24Y-11650-00	CONNECTING ROD ASSY	1	AP
26	24Y-11651-00	.ROD, connecting	1	

REPAIR KIT

FIG. 35 REPAIR KIT

REF. NO.	PART NO.	DESCRIPTION	Q'TY	REMARKS
27	2X4-11681-00	.PIN, crank 1	1	
28	90209-25085	.WASHER	2	
29	93310-42541	.BEARING, cylindrical	1	
30	93310-418E9	.BEARING, cylindrical	1	

E8

INDEX

NUMERICAL INDEX

PART NO.	GRID NO.	PART NO.	GRID NO.	PART NO.	GRID NO.	PART NO.	GRID NO.	PART NO.	GRID NO.	PART NO.	GRID NO.
39X-W1132-00	B- 2	24Y-11651-00	E- 7	23X-14104-00	B-12	39X-14753-00	B-13	23X-17461-30	C- 4	43N-22210-00-6W	C-13
5X5-W1133-00	B- 2	2X4-11681-00	B- 5	23X-14106-00	B-11	43N-14753-10	B-13	23X-17461-40	C- 4	23X-22211-00	C-14
39X-W1441-00	B- 9		E- 8		B-12	24Y-14771-00	B-13	23X-17461-50	C- 5	39X-22212-00-6W	C-13
39X-W2473-10	D-10	5X5-11911-01	B- 4	23X-14107-35	B-11	565-14771-00	B-13	23X-18101-00	C- 7		C-14
39X-W2473-20	D-10	5X5-11912-01	B- 4		B-12	23X-1490J-00	B-11	24Y-18110-00	C- 7	39X-22212-10-6W	E- 6
39X-11111-00	B- 2	5X5-11915-00	B- 3	2X8-14112-30	B-11		B-12	3R4-18140-00	C- 6	39X-22212-20-6W	E- 6
39X-11181-00	B- 2	5X5-11921-00	B- 4		B-12	5X5-15111-01	B-14	1W1-18177-00	C- 6	23X-22213-00	C-13
39X-1131A-00	B- 2	5X5-11922-00	B- 4	510-14115-00	B-11	5X5-15113-00	B-14	5X5-18511-00	C- 6		C-14
5X5-1131N-00	B- 2	5X5-11931-00	B- 4		B-12	3R4-15118-00	B-14	4V3-18512-00	C- 6	23X-22214-00	C-13
39X-11311-00	B- 2	5X5-11937-00	B- 2	431-14131-00	B-11	5X5-15121-00	B-14	5X5-18513-00	C- 6		C-14
39X-11351-00	B- 2	5X5-11951-00	B- 4		B-12	168-15362-00	B-15	5X5-18531-01	C- 6	3R4-22221-01	C-13
24Y-11400-01	B- 5	5X5-11952-00	B- 4	510-14141-46	B-11	23X-15381-00	B-14	5X5-18535-01	C- 6		C-14
24Y-11412-01	B- 5	5X5-11953-00	B- 4		B-12	3R4-15383-01	B-14	24Y-18540-00	C- 6	23X-22223-00	C-13
24Y-11422-01	B- 5	24Y-11990-00	B- 4	193-14142-60	B-11	39X-15411-00	B-15	39X-21110-00-FH	C- 8		C-14
39X-11601-00	B- 5	39X-11992-00	B- 3		B-12	23X-15421-00	B-15	288-21376-00	E- 5	3R4-22228-00	C-13
	E- 7	39X-11993-00	B- 3	137-14143-58	B-12	24Y-15431-00	B-15	24Y-21415-00	C- 8		C-14
39X-11601-10	B- 5	39X-11995-00	B- 3	137-14143-62	B-11	5X5-15451-00	B-15	39X-21425-00	C- 8	24X-22261-00	C-15
	E- 7	39X-1240A-00	B- 7	509-14145-00	B-11	5X5-15462-00	B-15	39X-21426-00	C- 8	24X-22262-00	C-15
39X-11601-20	B- 5	39X-12422-00	B- 6		B-12	24Y-15618-00	C- 2	5X6-21511-10	C- 9	39X-22401-00	C-13
	E- 7	5X5-12428-00	B- 6	558-14147-00	B-11	24Y-15620-00	C- 2	4V2-21543-01	C- 9	43N-22401-00	C-13
39X-11601-30	B- 5	39X-12450-00	B- 6		B-12	24Y-15621-00	C- 2	3R4-21611-10	C- 9	39X-22409-00	C-13
	E- 7	39X-12459-00	B- 6	5X5-14153-00	B-11	3R4-15641-00	C- 2	39X-21620-00	C- 9		C-14
39X-11601-40	B- 5	39X-12460-00	B- 7		B-12	3R4-15651-00	C- 2	39X-21642-00	C- 9	26A-22472-00	C-13
	E- 7	22W-12462-00	B- 7	5Y9-14158-00	B-11	24Y-15660-00	C- 2	39X-21711-10-98	C-10		C-14
39X-11630-00	E- 7	24X-12465-00	C-10		B-12	3R4-15664-00	C- 2	24Y-2172A-00	C-10	23X-22475-00	C-13
39X-11630-10	E- 7	24X-12469-00	B- 7	363-14184-00	B-11	24Y-16110-00	C- 3	39X-21721-10-98	C-10		C-14
39X-11630-20	E- 7	24Y-12469-00	B- 7		B-12	39X-16150-00	C- 3	39X-21731-10	C-10	39X-22482-00	C-13
39X-11630-30	E- 7	39X-12476-00	B- 7	2N7-14185-00	B-11	2K7-16154-00	C- 3	39X-21737-10	B- 9		C-14
39X-11630-40	E- 7	39X-12477-00	B- 7		B-12		C- 3		C-10	39X-22489-00	C-13
39X-11631-00-94	B- 5	39X-1248A-00	B- 7	537-14186-00	B-11	2K7-16181-00	C- 3	39X-2174F-00	C-10		C-14
	E- 7	39X-12481-00	B- 7		B-12	5X5-16321-00	C- 3	39X-21741-10	C-10	39X-22493-00	C-13
39X-11631-00-95	B- 5	39X-12482-00	B- 7	2K7-14197-00	B-11	168-16325-00	C- 3	3R2-21782-00	C-10		C-14
214-11633-00	B- 5	39X-12483-00	B- 7		B-12	23X-16351-00	C- 3	22W-21791-00	B- 7	5X3-22497-00	C-13
	E- 7	39X-12484-00	B- 7	310-14197-00	B-11	23X-16356-00	C- 3		B- 7		C-14
	E- 7	39X-12485-00	B- 7		B-12	2K7-16357-01	C- 3		C-10	39X-23102-L0	D- 3
	E- 7	137-13115-00	B-14	43N-14412-00	B- 9	23X-16371-00	C- 3	39X-22110-00	C-11	39X-23102-M0	D- 6
	E- 7	39X-13565-00	B- 9	39X-14451-00	B- 9	4V4-16380-00	C- 3	156-22127-00	C-11	39X-23103-L0	D- 3
	E- 7	39X-13610-00	B- 9	5X5-14452-00	B- 9	24Y-17121-00	C- 4	23X-22129-00	C-12	39X-23103-M0	D- 6
39X-11635-00	B- 5	39X-13613-00	B- 9	39X-14453-00	B- 9	39X-17131-00	C- 4	3R4-22129-00	C-11	39X-23110-00	D- 3
	E- 7	39X-13616-00	B- 9	39X-14457-00	B- 9	39X-17141-00	C- 4	5X6-22141-01	C-11		D- 4
39X-11636-00	B- 5	39X-13621-00	B- 9	39X-14458-00	B- 9	39X-17151-00	C- 4	39W-22151-00	C-11		D- 6
	E- 7	24X-1410A-00	B-11	39X-14459-00	B- 9	24Y-17211-00	C- 4	39X-2217A-00	C-11		D- 7
39X-11637-00	B- 5		B-12	39X-14462-00	B- 9	24Y-17221-00	C- 4	39X-2217F-00	C-11	43M-23111-L0	D- 3
	E- 7	39X-14101-00	B-12	4V2-14468-01	B- 9	39X-17231-00	C- 4	22W-22178-01	C- 8		D- 4
39X-11638-00	B- 5	43N-14101-00	B-11	39X-14610-00	B-13	39X-17241-00	C- 4	5X3-2218A-00	C-12		D- 6
	E- 7	23X-14103-00	B-11	24Y-14613-00	B-13	39X-17251-00	C- 4	4V4-22184-00	C- 8		D- 7
24Y-11650-00	E- 7		B-12	39X-14619-00	B- 2	24Y-17411-00	C- 4	23X-22199-10	C-11	39X-23118-00	D- 3
24Y-11651-00	B- 5	23X-14104-00	B-11	39X-14747-00	B-13	5X5-17421-00	C- 4	39X-22210-00-6W	C-13		D- 4

NUMERICAL INDEX

PART NO.	GRID NO.	PART NO.	GRID NO.	PART NO.	GRID NO.	PART NO.	GRID NO.	PART NO.	GRID NO.	PART NO.	GRID NO.
5X6-23118-10	D- 6	5X6-23152-L0	D- 3	39X-23340-00	D- 7	39X-25311-00-98	D-13	23X-83912-00	E- 4	90170-20213	C-14
	D- 7		D- 4	3R4-23389-00	D- 2	23X-25321-00-98	D-13	23X-83922-00	E- 4	90170-20255	C- 3
4H7-23119-00	D- 3		D- 6	24X-23395-00	D- 2	23X-25327-00	D-14	256-83936-00	E- 5	90175-06016	E- 2
	D- 4		D- 7	1W1-23416-00	D- 2	23X-25330-00	D-13	437-83936-00	C- 9	90176-08026	B- 2
	D- 6	4V4-23153-L0	D- 3	39W-23435-00-98	D- 2	39X-25351-00	D-13		E- 4	90179-08401	D-15
	D- 7		D- 3	1E6-23441-00	D- 2	5X4-25355-00	D-13	437-83936-10	B- 7	90179-10257	E- 3
43M-23126-L0	D- 3		D- 6	24X-23485-10	D- 2	4V4-25367-00	D-14		E- 5	90179-10280	C- 8
	D- 4		D- 6	43M-23489-L0	D- 4	23X-25371-00	D-14	23X-83976-00	E- 4	90179-10292	B- 2
	D- 6	4V4-23157-L0	D- 3		D- 7	23X-25381-00	D-14	39X-85510-10	E- 3	90179-12244	C- 2
	D- 7		D- 4	39X-24110-10	D- 9	39X-25388-00	D-14	39X-85520-10	E- 3	90179-20255	C- 5
4V4-23125-L0	D- 3		D- 6	5X6-2412F-00	D- 9	39X-25394-00	D-13	39X-85540-10	E- 5	90179-22330	D- 2
	D- 4		D- 7	24X-24144-00	D- 9	3R4-25444-01	D-13	2K7-85547-00	E- 5	90179-25033	D- 2
	D- 6	23X-23158-L0	D- 3	3R3-24173-00	D- 9	3R4-25445-00	D-13	39X-85550-10	E- 3	90185-08106	C- 8
	D- 7		D- 4	22W-24181-00	C-10	3R4-25446-00	D-13	2K7-85555-00	C- 8		C-11
39X-23126-00-38	D- 3		D- 6	39X-24181-00	D- 9	3R4-25448-00	D-13	90101-06291	D-11	90185-08113	C- 8
	D- 6		D- 7	23X-24184-00	D- 9	3R4-25450-00	D-13		D-13		C- 8
122-23129-00	D- 3	39X-2316A-00	D- 3	39X-24250-10	D- 9	3R4-25452-00	D-13	90101-06586	E- 2		D-14
	D- 4		D- 4	2K5-24500-00	D- 9	23X-26111-00	D-15	90101-08475	D-14	90185-10120	C-12
	D- 6		D- 6	1A0-24512-00	D- 9	4V4-26241-01	D-15	90102-08034	D-14		C-14
	D- 7		D- 7	214-24512-00	D- 9	4V4-26242-01	D-15	90109-06410	E- 4		C-15
39X-23136-00-38	D- 3	39X-23170-20	D- 3	619-24535-00	D- 9	23X-26243-00	D-15		E- 4	90185-12119	C-11
	D- 6		D- 4	5X7-24611-01	D- 9	5X2-2628H-01	D-15	90109-06551	B-13	90185-16127	C-11
39X-23141-00	D- 3		D- 6	5X7-24612-00	D- 9	23X-26281-00	D-15	90109-08370	D-14	90185-18104	D-14
	D- 4		D- 7	509-24724-00	D-10	431-26282-01-98	D-15	90109-08387	D- 5	90185-18126	C- 3
	D- 6	4V4-23171-L0	D- 3		D-10	23X-26311-00	D-15	90109-08397	D- 8	90201-057H5	B- 4
	D- 7		D- 4	23X-24731-10	D-10	510-26329-00	D-15	90109-08512	B-13	90201-06052	C- 9
39X-23141-10	E- 6		D- 6	23X-24731-20	D-10	39X-26335-00	D-15	90109-08705	C- 8	90201-06407	D- 9
39X-23141-20	E- 6		D- 7	39W-24738-00	D-10	5X6-26341-00	D-15	90109-08706	D-13	90201-06570	B- 7
4V4-23142-L0	D- 3	23X-23173-L0	D- 3		D-10	39X-26351-00	E- 2	90109-10700	C-15	90201-06571	C- 9
	D- 4		D- 4	22W-24741-00	D-10	382-26372-01	D-15	90109-10702	C-12		C- 9
	D- 6		D- 6		D-10		D-15	90109-10703	C-12		C-10
	D- 7		D- 7	5X6-24748-00	D-10	23X-26393-00	B-14	90109-10704	C-14		C-10
23X-23144-L0	D- 3	5X6-23181-L0	D- 4	5X6-24748-10	D-10	39X-27200-00	E- 2	90109-12701	C-11		D- 2
	D- 4		D- 7	39W-25104-00	D-11	39X-27311-00	E- 2	90116-08392	B- 2	90201-08083	E- 4
	D- 6	4V4-23188-L0	D- 3	39W-25111-00-98	D-11	23X-27411-01	E- 2	90116-08394	B- 2		E- 4
	D- 7		D- 4	322-25118-00	D-12	23X-27421-01	E- 2	90116-10313	B- 2	90201-08087	B- 4
23X-23145-L0	D- 3		D- 6	5X6-25121-00-98	D-11	24X-28100-00	C- 8	90116-10314	B- 2	90201-081A6	D-14
	D- 4		D- 7	3R5-25130-00	D-11	2X4-2811A-00	C- 8	90119-06042	C- 9	90201-08113	C- 8
	D- 6	34K-2319U-00	D- 2	23X-25151-00	D-11	23X-28135-00	C- 8	90119-06056	B-10	90201-08512	B- 6
	D- 7	23X-23190-L0	D- 3	5X6-25155-00	D-11	24X-82310-10	E- 5	90119-06073	D- 9	90201-08544	D- 5
4V4-23146-L0	D- 3		D- 4	5X6-25156-00	D-11	1M1-82370-21	E- 5	90123-08090	D-15		D- 8
	D- 4		D- 6	137-25159-00	D-11	3R0-82370-20	E- 5	90149-06011	D- 9		E- 2
	D- 6		D- 7	3R5-25161-00	D-11	5X1-82519-00	E- 5	90149-06178	C- 3	90201-08612	B-13
	D- 7	43M-23191-L0	D- 4	3R5-25163-00	D-11	688-82535-00	D-15	90152-06010	C- 2	90201-087F0	D-10
3J2-23147-00	D- 3		D- 7	3R5-25164-00	D-11	38V-82911-00	E- 4	90159-05100	C-10	90201-08730	B-13
	D- 4	43M-23192-L0	D- 4	3R4-25181-01	D-12	38V-82913-00	E- 4		C-10		E- 2
	D- 6		D- 7	4V5-25194-00	D-11		E- 4	90159-06016	C- 3	90201-100E9	C-12
	D- 7	39X-23340-00	D- 4	39X-25304-00	D-13	38V-82921-00	E- 4	90170-20213	C-13		C-15

NUMERICAL INDEX

PART NO.	GRID NO.	PART NO.	GRID NO.	PART NO.	GRID NO.	PART NO.	GRID NO.	PART NO.	GRID NO.	PART NO.	GRID NO.
90201-10119	E- 2	90387-07392	B- 7	90508-20583	E- 2	92901-05200	B- 9	93102-20309	C- 2	93399-99916	C-14
90201-10138	B- 6	90387-081A3	B-13	90508-26608	C- 6	92901-05600	B- 4	93102-32136	C- 4		C-14
90201-10141	C- 8	90387-083F0	D-14	90508-29361	C- 7		E- 3	93103-10113	B- 6	93410-17008	C- 2
90201-10430	C-12	90387-083F4	B- 4	90508-29596	D-13	92901-06100	B- 9	93103-30092	B- 5	93410-20038	C- 4
	C-14	90387-102F3	B- 2	90508-30422	C- 2		B-10	93103-40091	B- 5	93410-22039	C- 4
90201-120A5	C-11	90387-121H1	C-12	90560-12171	C- 7		B-13	93104-08040	B- 4	93430-07012	B- 6
90201-120E6	C-12	90387-126H8	C-15	90560-15227	D-11		C- 3	93104-16074	B- 2	93440-25084	C- 4
	C-15	90387-127G8	C-15	90560-20226	D-13		C- 9	93104-18077	C-13	93440-30113	C-13
90201-13202	C- 8	90387-147G6	C-11	91311-06016	D-15		C-10		C-14		C-13
90201-14222	C-11	90387-147G7	C-11	91316-04006	B- 4		C-10	93106-20021	D-11		C-14
90201-151A7	B- 4	90387-152F2	B- 4	91316-06020	B- 9		D- 9	93106-22019	C-11		C-14
	B- 4	90387-15535	D-12	91316-06040	B-14	92901-06200	B- 9	93106-28023	D-13	93440-51103	C-13
90201-154F5	B- 4	90387-160H4	B-14	91316-06045	B-14		D-11	93108-35004	C-11		C-14
90201-154F6	B- 4	90387-200H1	D-13	91316-06055	B-14		D-15	93109-20029	C-11	93450-19052	B- 5
90201-160F6	C-11	90387-200H2	D-14	91316-06060	B-14	92901-06600	B- 7	93112-19006	D-14		E- 7
90201-17327	C- 3	90387-252F6	C- 3	91401-20015	D-11		B- 7	93210-09192	B- 2		E- 7
90201-17545	C- 2	90387-25663	C- 4		D-14		B-10	93210-14104	B-15		E- 7
90201-186H3	C- 3	90430-06016	B-15		D-15		B-13	93210-14167	D-14		E- 7
90201-20278	C- 4	90430-06166	B- 2	91401-25012	E- 2		D- 9	93210-19501	C- 2		E- 7
90201-20358	C- 2		B- 6	91401-25020	E- 2		D- 9	93210-31114	D-14	93501-04011	C- 2
90201-22555	C- 4	90430-12038	B-14	91701-06018	D-15		D-10	93210-35512	B- 2	93515-32029	C- 3
90201-25287	C- 4	90445-08605	B-14	91790-08021	E-15		D-10	93300-20501	C- 4	93521-64032	B- 4
90202-06010	D- 9	90445-09300	D- 9	91810-03014	B- 2		D-15		C- 4	93603-14179	B- 4
90202-08022	C- 8	90445-11356	D- 9	91810-05016	B-14		E- 3	93300-60801	B- 4	93603-22028	B- 6
90206-14067	C-13	90446-09079	B- 7	91830-24016	B- 2	92901-08100	B-13	93306-00006	B- 4	93604-10011	B- 6
	C-14	90460-22252	B- 8	92501-06010	B-14		B-13	93306-00106	C- 6	93604-21193	C-13
90209-17235	C- 4	90460-31253	B- 7	92501-06012	B- 9		C-10	93306-00406	D-13		C-14
90209-18135	C- 4	90460-51109	B- 9		B-14		D- 5	93306-00430	D-13	93604-26132	C-13
90209-18244	D-14	90460-68199	B- 9		D- 2		D- 8	93306-20203	D-11		C-14
90209-21243	D-14	90465-06247	B-15		D- 9	92901-08600	B-13	93306-20205	D-11	93606-14154	C- 6
90209-22082	C- 4	90465-16258	D-15		D-10		D-14	93306-20627	B- 5	93608-25150	C- 7
90209-25085	B- 5	90467-09006	B- 7		D-10	92901-10200	C- 8		B- 5	93700-06004	C-11
	E- 8	90467-10008	D- 9	92501-06014	C-10	92902-05100	B-11	93310-418E9	B- 5		C-12
90215-20212	C- 3	90468-26048	C- 2		C-10		B-12		E- 8	93700-06005	C-12
90215-21239	C- 5	90480-15064	B- 7		E- 3		E- 3	93310-42541	B- 5	94109-210F2	D-11
90240-06006	D-11	90480-18276	B- 7	92501-08010	B-14	92902-06700	C- 9		E- 8	94113-180F4	D-13
90240-10101	E- 2	90480-18354	D- 9	92502-06016	E- 5		C- 9	93311-41734	C- 4	94130-21732	D-11
90249-12008	E- 2	90480-25381	C-15	92506-06008	B-15	92902-08200	C-10	93311-62035	C- 4	94151-18736	D-13
90280-03017	B- 5	90501-13720	C- 2	92506-06012	B-15	92903-03100	B- 9	93315-21721	C- 3	94227-21123	D-11
90339-13005	C- 8	90501-23138	C- 3	92506-06025	B- 6	92906-05100	E- 4	93315-31732	C-12	94251-18150	D-13
90340-12095	B-14	90501-24745	B- 4		B-15		E- 4	93317-32034	C-11	94330-21084	D-11
90380-15104	B- 4	90504-03033	B- 9		B-15	92906-06100	B-15	93317-32231	C-11	94340-18086	D-13
90380-16077	C-11	90506-16036	D-11		B-15	92906-06600	B-15	93332-00008	D- 2	94416-21382	D-11
90380-22111	C-11		D-13	92506-06030	B-15		B-15	93332-00023	D- 2	94421-18383	D-13
90381-08002	B- 6	90506-18305	E- 2	92506-06040	B-15		B-15	93342-22208	C-11	94585-20112	D-14
90387-060A7	B- 7	90507-20030	B-13	92506-06065	B-15		B-15	93399-99910	D-14	94685-20001	D-14
90387-06553	D- 9	90508-14423	C- 3	92701-06012	B-14	93101-12004	C- 7	93399-99916	C-13	95301-06600	C- 3
90387-06681	C- 9	90508-20425	D-11	92901-05100	B- 3	93102-17263	C- 3		C-13	95301-06700	D-11

NUMERICAL INDEX

PART NO.	GRID NO.	PART NO.	GRID NO.	PART NO.	GRID NO.	PART NO.	GRID NO.	PART NO.	GRID NO.
95301-06700	E- 2	98506-05012	B- 2						
95301-08700	D-14	98506-05014	B- 3						
95311-08600	D- 5	98506-05016	D-15						
	D- 8	98506-05018	E- 4						
95601-05100	B- 4		E- 4						
	B- 9	98506-05020	B- 3						
95601-06100	C- 9	98606-04012	D-15						
	E- 4	98902-06018	D- 9						
	E- 4								
95611-08100	D-13								
95611-10100	C-12								
95801-06012	D-10								
	D-10								
95801-06016	C-11								
95801-08016	E- 2								
95802-08012	C- 8								
95802-08055	C-11								
95806-06012	B- 2								
95811-08055	C- 8								
95811-08100	C- 8								
95811-08180	C- 8								
95811-10055	C- 8								
95821-08020	C- 8								
95821-08035	D- 2								
95821-08040	D- 2								
95826-06025	B- 6								
97301-06012	B- 9								
	D- 9								
97301-06016	B-13								
	C- 9								
97301-06020	B- 7								
	C- 9								
97301-06030	B- 7								
97301-08016	B-13								
	C-10								
97301-08060	B-13								
97302-06020	C- 9								
97321-06025	C- 7								
97321-08016	D-10								
98501-04006	C-13								
	C-14								
98501-05012	B- 3								
98501-05016	B-11								
	B-12								
98501-05020	E- 3								
98503-03006	B- 9								
98506-04018	D- 4								
	D- 7								

PARTS NAME INDEX

DESCRIPTION	GRID NO.	DESCRIPTION	GRID NO.	DESCRIPTION	GRID NO.
AIR CLEANER CASE COMP.	B- 9	BODY, cap	D- 9	BRACKET, front upper 1	C- 8
AIR SCREW SET	B-11	BOLT	B- 4	BRACKET, rear upper 1	C- 8
*	B-12	*	B- 7	BRACKET, rear upper 2	C- 8
AIR VALVE COMP.	D- 3	*	B- 9	BRACKET, seat	D- 9
*	D- 4	*	B-13	*	D-10
*	D- 6	*	B-14	BRAKE SHOE COMP.	D-11
*	D- 7	*	C- 7	*	D-13
ARM, relay	C-11	*	C- 8	BUMP, stop	C-13
AXLE, drive	C- 4	*	C- 9	*	C-14
AXLE, main	C- 4	*	C-10	BUSH	C- 8
AXLE, wheel	D-12	*	C-11	BUSH, solid	B- 4
*	D-14	*	C-12	*	B- 6
BALL	B- 4	*	C-14	*	C-11
*	C- 2	*	C-15	C.D.I. UNIT ASSY	E- 5
*	C- 3	*	D- 5	CABLE ADJUST SCREW SET	B-11
BAND	D- 4	*	D- 8	*	B-12
*	D- 7	*	D- 9	CABLE, brake	D-15
BAND, rim (3.00-21)	D-11	*	D-10	*	E- 2
BAND, rim (4.00-18)	D-13	*	D-11	CABLE, clutch	D-15
BAND, switch cord	B- 7	*	D-13	CABLE, throttle 1	D-15
*	C- 9	*	D-14	CAMSHAFT	D-11
*	E- 4	*	D-15	*	D-13
*	E- 5	*	E- 2	CAP	D- 2
BAND, tank fitting 1	D- 9	E- 4	E- 4	CAP, case	C-13
BAND, tool	E- 5	BOLT, cap	D- 3	*	C-14
BAR, shift fork guide 1	C- 6	*	D- 4	CAP, cleaner case 1	B- 9
BAR, shift fork guide 2	C- 6	*	D- 6	CAP, grip lower	D-15
BAR, tension	D-14	*	D- 7	CAP, grip upper	D-15
BEARING	B- 5	BOLT, flange	B- 2	CAP, radiator	B- 7
*	C- 4	*	B- 6	CAP, rubber	D-15
*	C- 6	*	C- 8	CAP, wire	D-15
*	C-11	*	C-11	CARBURETOR ASSY 1	B-11
*	C-13	*	D- 2	*	B-12
*	C-14	*	D-10	CHAIN, drive (DID520DS 112L)	D-14
*	D- 2	*	E- 2	CIRCLIP	B- 5
*	D-13	BOLT, hexagon socket head	D- 4	*	B- 6
*	D-14	*	D- 7	*	C- 2
BEARING (B0060)	B- 4	BOLT, stopper	C- 6	*	C- 4
BEARING (B6000)	B- 4	BOLT, stud	B- 2	*	C-13
BEARING (B6004Z)	D-13	BOLT, with hole	D-14	*	C-14
BEARING (B6202)	D-11	BOLT, with washer	B-10	*	E- 7
BEARING (B6202RS)	D-11	*	C- 9	CLAMP	B-15
BEARING, cylindrical	B- 5	*	D- 9	*	D-15
*	C- 3	BOOT	D- 4	CLAMP, hose	B- 7
*	C- 4	*	D- 7	*	B- 8
*	C-11	BOSS, clutch	C- 3	*	B- 9
*	C-12	BOSS, kick crank	C- 2	CLIP	B- 7
*	E- 8	BOSS, lever	B- 2	*	C- 2

PARTS NAME INDEX

DESCRIPTION	GRID NO.	DESCRIPTION	GRID NO.	DESCRIPTION	GRID NO.
CLIP	D- 9	CYLINDER COMP., front fork	D- 7	GASKET, cylinder	B- 2
COIL, charge	E- 3	DAMPER	E- 5	GASKET, cylinder head 1	B- 2
COLLAR	B- 2	DAMPER SUB ASSY	C-13	GASKET, drain plug	D- 3
*	B- 4	DAMPER, locating 1	C-10	*	D- 4
*	B- 7	*	D- 9	*	D- 6
*	B-13	DAMPER, locating 4	D- 9	*	D- 7
*	B-14	DAMPER, muffler	B-13	GASKET, exhaust pipe	B-13
*	C- 3	DAMPER, radiator	C-10	GASKET, float chamber	B-11
*	C- 4	DAMPER, seat	D-10	*	B-12
*	C- 9	DAMPER, sub tank	C-15	GASKET, holder	B- 2
*	C-11	ELEMENT, air cleaner	B- 9	GASKET, housing cover 2	B- 6
*	C-12	EMBLEM	B- 9	GASKET, valve seat	B- 9
*	C-15	*	C-10	GAUGE, air	C- 8
*	D- 9	*	D- 2	GEAR, 1st wheel (30T)	C- 4
*	D-12	EMBLEM 2	C-10	GEAR, 2nd pinion (16T)	C- 4
*	D-13	EMBLEM, rear arm	C-12	GEAR, 2nd wheel (28T)	C- 4
*	D-14	END, rod 1	D-11	GEAR, 3rd pinion (18T)	C- 4
CONNECTING ROD ASSY	E- 7	END, rod 2	D-11	GEAR, 3rd wheel (26T)	C- 4
CONNECTOR, suction pipe	B-14	EXHAUST PIPE ASSY 1	B-13	GEAR, 4th pinion (20T)	C- 4
COVER	C-13	FENDER, front	C- 9	GEAR, 4th wheel (24T)	C- 4
*	C-14	FENDER, rear	C- 9	GEAR, 5th pinion (22T)	C- 4
COVER, ball race 2	D- 2	FLOAT	B-11	GEAR, 5th wheel (22T)	C- 4
COVER, crankcase 1	B-15	*	B-12	GEAR, governor (29T)	B- 4
COVER, crankcase 2	B-15	FOOTREST 1	E- 2	GEAR, impeller shaft	B- 6
COVER, crankcase 3	B-15	FOOTREST 2	E- 2	GEAR, kick (26T)	C- 2
COVER, handle lever 1	D-15	FORK, governor	B- 4	GEAR, sprocket idle (21T)	C- 2
COVER, housing	B- 6	FORK, shift 1	C- 6	GRAPHIC SET	D- 9
COVER, hub dust	D-12	FORK, shift 2	C- 6	GRIP (L.H.)	D-15
*	D-14	FORK, shift 3	C- 6	GRIP (R.H.)	D-15
COVER, kick lever	C- 2	FRAME COMP.	C- 8	GROMMET	B- 7
COVER, plate	D-14	FRONT FORK ASSY (L.H.)	D- 3	*	C-15
COVER, seat	D-10	*	D- 6	*	D- 9
COVER, side 1	C-10	FRONT FORK ASSY (R.H.)	D- 3	*	D-15
COVER, side 2	C-10	*	D- 6	GUARD, flap	C- 9
COVER, side 3	C-10	FUEL COCK ASSY 1	D- 9	GUARD, radiator	C-10
COVER, side 4	C-10	FUEL TANK COMP.	D- 9	GUIDE	B- 9
COVER, thrust 2	C-11	GASKET	B- 2	GUIDE, cable	D- 2
*	C-12	*	B- 6	GUIDE, spring	C- 2
CRANK 1	B- 5	*	B-14	GUIDE, spring 1	C-13
CRANK 2	B- 5	*	B-15	*	C-14
CRANKCASE 1	B-14	*	D- 3	HANDLEBAR	D-15
CRANKCASE 2	B-14	*	D- 4	HEAD, cylinder 1	B- 2
CRANKSHAFT ASSY	B- 5	*	D- 6	HOLDER	B-14
CROWN, handle	D- 2	*	D- 7	HOLDER 1	B- 2
CYLINDER 1	B- 2	*	D- 9	HOLDER 2	B- 2
CYLINDER COMP., front fork	D- 3	GASKET, cap	D- 9	HOLDER, damper	D- 9
*	D- 4	GASKET, crankcase cover 1	B-15	HOLDER, guide	B- 9
*	D- 6	GASKET, crankcase cover 3	B-15	HOLDER, handle upper	D- 2

PARTS NAME INDEX

DESCRIPTION	GRID NO.	DESCRIPTION	GRID NO.	DESCRIPTION	GRID NO.
HOLDER, lever 1	E- 4	NUT	B- 7	OIL SEAL	C- 2
HOLDER, lever 2	E- 4	*	C- 2	*	C- 3
HOLDER, lever lower 1	E- 4	*	C- 3	*	C- 4
HOLDER, sub tank	C-15	*	C- 5	*	C- 7
HOOK, spring	B- 2	*	C- 8	*	C-11
HOSE	B- 7	*	C-10	*	C-13
*	B-14	*	C-13	*	C-14
*	D- 9	*	C-14	*	D- 3
HOUSING 2	B- 3	*	D- 2	*	D- 4
HUB, front	D-11	*	D- 5	*	D- 6
HUB, rear	D-13	*	D- 8	*	D- 7
IGNITION COIL ASSY	E- 5	*	D-11	*	D-11
IMPELLER SHAFT ASSY	B- 6	*	D-14	*	D-13
INNER TUBE COMP.1	D- 3	*	D-15	*	D-14
*	D- 4	*	E- 2	PACKING	B- 3
*	D- 6	*	E- 3	PAD, seat	D-10
*	D- 7	NUT, adjusting	C-13	PANEL 1	C-10
JET, main (#290)	B-12	*	C-14	PEDAL, brake	E- 2
JET, main (#310)	B-11	NUT, crown	B- 2	PIN	E- 2
JET, pilot (# 60)	B-11	NUT, self-locking	C- 3	PIN, clevis	D-11
*	B-12	*	C- 8	*	D-15
JOINT 1	B- 7	*	C-11	*	E- 2
JOINT, air cleaner 1	B- 9	*	C-12	PIN, cotter	D-11
JOINT, carburetor	B- 9	*	C-14	*	D-14
JOINT, chain	D-14	*	C-15	*	D-15
KEY, woodruff	B- 5	*	D-14	*	E- 2
KICK AXLE ASSY	C- 2	NUT, u	B- 4	PIN, crank 1	B- 5
KICK CRANK ASSY	C- 2	*	B- 9	*	E- 8
LEVER	B- 4	*	C- 9	PIN, dowel	B- 2
LEVER 1	E- 4	*	C-12	*	B- 4
LEVER 2	E- 4	*	D-13	*	B- 6
LEVER, camshaft	D-13	*	E- 4	*	B-14
LEVER, camshaft 1	D-11	NUT, wing	E- 2	*	C- 6
LEVER, camshaft 2	D-11	O-RING	B- 2	*	C- 7
METAL, slide 1	D- 3	*	B-11	*	C-13
*	D- 4	*	B-12	*	C-14
*	D- 6	*	B-15	PIN, float	B-11
*	D- 7	*	C- 2	*	B-12
MUD GUARD COMP.	C- 9	*	D- 3	PIN, piston	B- 5
NEEDLE SET	B-11	*	D- 4	*	E- 7
*	B-12	*	D- 6	PIPE	B-11
NEEDLE VALVE SET	B-11	*	D- 7	*	B-12
*	B-12	*	D- 9	PIPE 1	B- 7
NIPPLE, grease	C-11	*	D-14	PIPE 2	B- 7
*	C-12	OIL SEAL	B- 2	PIPE 3	B- 7
NOZZLE, main	B-11	*	B- 4	PIPE 4	B- 7
*	B-12	*	B- 5	PIPE 5	B- 7
NUT	B- 2	*	B- 6	PIPE 6	B- 7

PARTS NAME INDEX

DESCRIPTION	GRID NO.	DESCRIPTION	GRID NO.	DESCRIPTION	GRID NO.
PIPE 7	B- 7	PLUG	D- 7	SCREW, oval head	D-15
PIPE 8	B- 7	PLUG CAP ASSY	E- 5	SCREW, pan head	B- 2
PISTON (0.25MM O/S)	B- 5	PLUG, drain	D- 3	*	B- 3
*	E- 7	*	D- 4	*	B- 6
PISTON (0.50MM O/S)	B- 5	*	D- 6	*	B- 9
*	E- 7	*	D- 7	*	B-11
PISTON (0.75MM O/S)	B- 5	PLUG, oil level	B-15	*	B-12
*	E- 7	PLUG, screw	B-11	*	B-14
PISTON (1.00MM O/S)	B- 5	*	B-12	*	B-15
*	E- 7	PLUG, spark (CHAMPION N-86)	B- 2	*	C-10
PISTON (STD)	B- 5	PLUG, spark (CHAMPION QN86)	B- 2	*	C-13
*	E- 7	PLUG, straight screw	B-14	*	C-14
PISTON ASSY (1ST O/S)	E- 7	PRIMARY DRIVE GEAR ASSY	C- 3	*	U- 2
PISTON ASSY (2ND O/S)	E- 7	PRIMARY DRIVEN GEAR COMP.	C- 3	*	D- 4
PISTON ASSY (3RD O/S)	E- 7	PULLER, chain 1	D-14	*	D- 7
PISTON ASSY (4TH O/S)	E- 7	PULLER, rotor	C- 8	*	D- 9
PISTON ASSY (STD)	E- 7	PUSH LEVER ASSY	C- 3	*	D-10
PISTON RING SET (1ST O/S)	B- 5	PUSH ROD ASSY	B- 4	*	D-15
*	E- 7	RADIATOR ASSY	B- 7	*	E- 3
PISTON RING SET (2ND O/S)	B- 5	RADIATOR ASSY 2	B- 7	*	E- 4
*	E- 7	REAR ARM COMP.	C-11	*	E- 5
PISTON RING SET (3RD O/S)	B- 5	REED VALVE ASSY	B- 9	SCREW, with washer	C- 3
*	E- 7	REED, valve	B- 9	*	C-10
PISTON RING SET (4TH O/S)	B- 5	RETAINER	B- 4	SEAL	B- 9
*	E- 7	RETAINER, weight	B- 4	SEAL, camshaft	D-11
PISTON RING SET (STD)	B- 5	RIM (1.60-21)	D-11	SEAL, dust	C-13
*	E- 7	RIM (2.15-18)	D-13	*	C-14
PISTON, front fork	D- 3	RING, piston	D- 3	*	D- 3
*	D- 4	*	D- 4	*	D- 4
*	D- 6	*	D- 6	*	D- 6
*	D- 7	*	D- 7	*	D- 7
PLATE	B- 4	RING, snap	D- 3	SEAL, guard	C-11
*	B-14	*	D- 6	SEAL, housing	B- 3
PLATE 1	C- 9	ROD, connecting	B- 5	SEAT, spring lower	C-13
PLATE, bearing cover	B-14	*	D-11	*	C-14
PLATE, brake shoe	D-11	*	E- 7	SEAT, spring upper	C-13
*	D-13	ROD, connecting 1	C-11	*	C-14
PLATE, clutch 2	C- 3	ROD, push	C-13	*	U- 3
PLATE, element fitting	B- 9	*	C-14	*	D- 4
PLATE, friction	C- 3	ROD, push 1	C- 3	*	D- 6
PLATE, number	D- 2	ROD, push 2	C- 3	*	U- 7
PLATE, pressure 1	C- 3	ROTOR ASSY	E- 3	SEMI-DOUBLE SEAT ASSY	D-10
PLATE, thrust 1	B- 3	SCREW	C- 3	SEATER, needle jet	B-11
*	C- 3	*	D- 9	*	B-12
PLUG	C- 8	SCREW, bind	D- 9	SHAFT, governor	B- 4
*	D- 3	SCREW, countersunk	C- 2	SHAFT, pivot	C-11
*	D- 4	SCREW, flat head	B-14	SHIFT CAM ASSY	C- 6
*	D- 6	SCREW, lever fitting	D- 9	SHIFT PEDAL ASSY	C- 7

PARTS NAME INDEX

DESCRIPTION	GRID NO.	DESCRIPTION	GRID NO.	DESCRIPTION	GRID NO.
SHIFT SHAFT ASSY	C- 7	SPRING, torsion	C- 7	VALVE COMP.	D- 3
SHIM (0.3T)	C-11	*	D-11	*	D- 4
SHOCK ABSORBER ASSY, rear	C-13	*	D-13	*	D- 6
SILENCER, exhaust	B-13	*	E- 2	*	D- 7
SPACER	C- 7	SPROCKET, drive (13T)	C- 4	VALVE, throttle 1	B-11
*	D- 3	SPROCKET, drive (14T)	C- 4	*	B-12
*	D- 4	SPROCKET, drive (15T)	C- 5	WASHER	B- 5
*	D-11	SPROCKET, driven (44T)	D-13	*	C- 4
*	D-13	SPROCKET, driven (45T)	D-13	*	C- 9
SPACER (L=80)	D- 6	SPROCKET, driven (46T)	D-13	*	C-10
*	D- 7	SPROCKET, driven (48T)	D-13	*	D-14
SPACER 1	C- 3	SPROCKET, driven (50T)	D-13	*	E- 8
SPACER, bead	D-11	SPROCKET, driven (52T)	D-13	WASHER, lock	C- 3
*	D-13	STAND, side	E- 2	*	C- 5
SPANNER, special	C- 8	STARTER SET	B-11	WASHER, main jet	B-11
SPINDLE, taper	D- 3	*	B-12	*	B-12
*	D- 4	STATOR ASSY	E- 3	WASHER, oil seal	D- 3
*	D- 6	STAY, muffler 1	B-13	*	D- 4
*	D- 7	STOPPER	C-13	*	D- 6
SPOKE SET, front	D-11	*	C-14	*	D- 7
SPOKE SET, rear	D-13	STOPPER LEVER ASSY	C- 6	WASHER, plain	B- 9
SPRING	C-13	STOPPER, reed valve	C- 9	*	C- 8
*	C-14	SUPPORT, bump stop	C-13	*	D-11
SPRING (K=4.25)	E- 6	*	C-14	*	D-15
SPRING (K=4.75)	E- 6	SUPPORT, chain	C-11	WASHER, plate	B- 2
SPRING, compression	B- 4	SWITCH, handle 1	E- 4	*	B- 4
*	B- 9	TENSIONER	C- 8	*	B- 6
*	C- 2	THROTTLE SCREW SET	B-11	*	B- 7
*	C- 3	*	B-12	*	B-10
SPRING, front fork	D- 3	TIRE (130/80-18)	D-13	*	B-13
*	D- 4	TIRE (3.00-21)	D-11	*	B-15
*	D- 6	TIRE (5.10-18)	D-13	*	C- 2
*	D- 7	TIRE (90/90-21)	D-11	*	C- 3
SPRING, front fork (K=0.275)	E- 6	TOOL KIT	C- 8	*	C- 4
SPRING, front fork (K=0.325)	E- 6	TOP, mixing chamber	B-11	*	C- 8
SPRING, sub	D- 3	*	B-12	*	C- 9
*	D- 4	TUBE (2.75-21)	D-11	*	C-10
*	D- 6	TUBE (5.10-18)	D-13	*	C-11
*	D- 7	TUBE, outer 1	D- 3	*	C-12
SPRING, tension	B-13	*	D- 6	*	C-14
*	D-11	TUBE, outer 2	D- 3	*	C-15
*	D-13	*	D- 6	*	D- 2
*	E- 2	TUBE, throttle guide	D-15	*	D- 5
SPRING, throttle valve	B-11	UNDER BRACKET COMP.	D- 4	*	D- 8
*	B-12	*	D- 7	*	D- 9
SPRING, torsion	C- 2	UPPER BRACKET SUB ASSY	C-13	*	D-10
*	C- 3	*	C-14	*	D-14
*	C- 6	VALVE 1	B- 2	*	D-15

PARTS NAME INDEX

DESCRIPTION	GRID NO.	DESCRIPTION	GRID NO.	DESCRIPTION	GRID NO.
WASHER, plate	E- 2				
*	E- 3				
*	E- 4				
WASHER, spring	B- 3				
*	B- 9				
*	B-10				
*	B-11				
*	B-12				
*	B-13				
*	B-15				
*	C- 3				
*	C- 9				
*	C-10				
*	D- 5				
*	D- 8				
*	D- 9				
*	E- 3				
*	E- 4				
WASHER, wave	C-13				
*	C-14				
WIRE, earth lead	E- 5				

