



YAMAHA

PARTS CATALOGUE

YZ250S (1LU)

#61LU-700E1

A2

3/2/14



3/2/14



A3

FOREWORD

This Parts Catalogue is related to the parts in use for the Yamaha YZ250S (1LU).
When you are ordering replacement parts for the YZ250S (1LU), refer to this Parts Catalogue and quote both part numbers and part names correctly.

1. Modifications or additions which have been made after issue of the Parts Catalogue will be announced in the Yamaha Parts News.
It is advisable that according to the Yamaha Parts News you make necessary corrections to the Parts Catalogue on hand to keep it up-to-date.

2. Abbreviations

The following abbreviations are used in this Parts Catalogue.

- U.R. Use size (thickness) and/or number as required.
- U.N. Use as many as you need.
- A.P. Alternate Parts
- L.M. Local Made
- F# Frame No. (Applicable machine No.)

3. The parts marked with (+) in the parts number column of this Catalogue are not supplied with by Yamaha, those have to be found locally.
4. Parts, which are to be supplied in the form of assemblies, are listed with an indention of one letter's space, and a dot (.) is put against the name of each part.

EXAMPLE CARBURETOR ASS'Y
 . JET, pilot
 . NOZZLE, main

5. Indication of No. of constituent parts for assembly

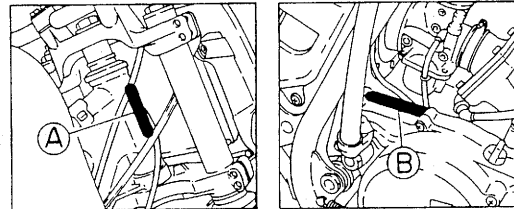
The numeral appearing to the right of each constituent part under the description indicates the quantity of such parts for each individual assembly unit.

EXAMPLE

Part No.	Description	Q'ty	Remarks
2F5-83310-60	FRONT FLASHER LIGHT ASS'Y	2	
115-83311-60	. BULB (6V-18W)	1	
1M1-83309-60	. REFLECTOR	1	

6. Initial Serial No. and Color Code

(A) Frame Serial No.	1LU-000101 and following
(B) Engine Serial No.	1LU-000101 and following



Color Code	Color Name	Abbreviate
36	Clean White	W

7. Applicable colors of graphics are represented in the "Remarks" column by the letter(s) appropriately picked out of the full word(s) showing such colors.

EXAMPLE

Part No.	Description	Q'ty	Remarks
2N4-24110-00-X5	FUEL TANK COMP.	1	MAXIM RED
3J1-24240-10	. GRAPHIC, fuel tank set	1	for MXR

CONTENTS

ENGINE

Cylinder	B2 ~ B3
Governor	B4
Crankshaft · Piston	B5
Water Pump	B6
Radiator · Hose	B7 ~ B8
Intake	B9
Carburetor	B10 ~ B11
Exhaust	B12
Crankcase	B13
Crankcase Cover 1	B14
Starter	B15
Clutch	C2
Transmission	C3 ~ C4
Shift Cam · Fork	C5
Shifter	C6

CHASSIS

Frame	C7
Fender	C8
Side Cover	C9 ~ C10
Rear Arm	C11 ~ C12
Rear Suspension	C13 ~ C14
Steering	C15
Front Fork	D2 ~ D4
Fuel Tank	D5
Seat	D6
Front Wheel	D7
Front Brake Caliper	D8
Rear Wheel	D9 ~ D10

Steering Handle · Cable	D11
Front Master Cylinder	D12
Stand · Footrest	D13
Generator	D14
Handle Switch · Lever	D15
Electrical 1	E2

ALTERNATE PARTS

Alternate 1 (Chassis)	E3
-----------------------------	----

REPAIR KIT

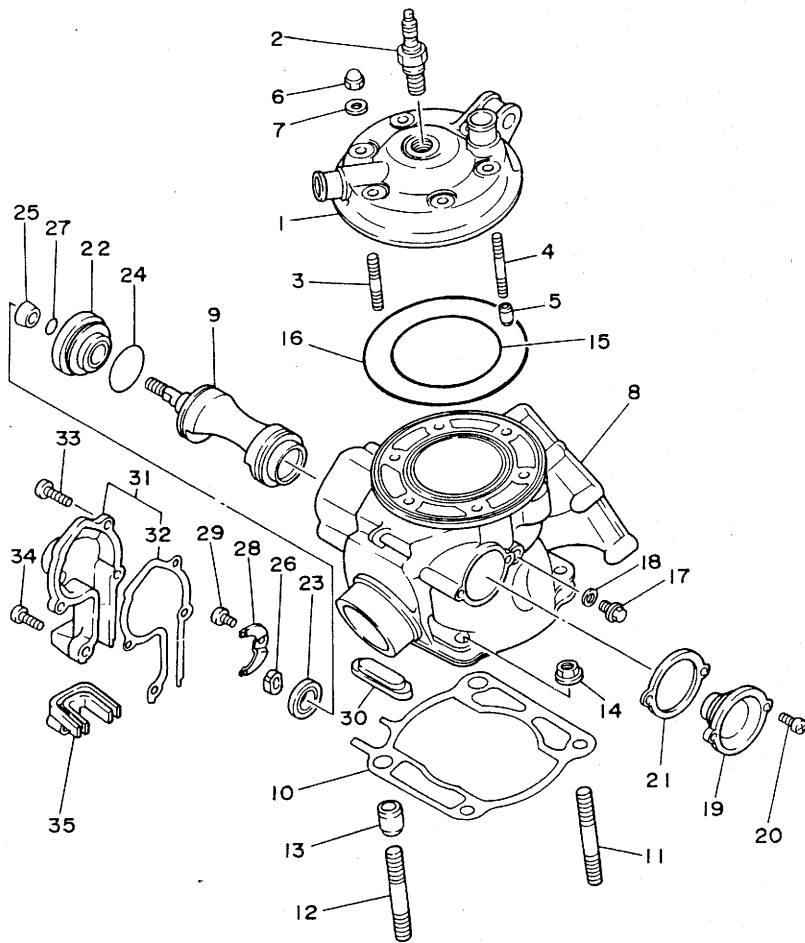
Repair Kit	E4
------------------	----

INDEX

Numerical Index	M1 ~ M3
-----------------------	---------

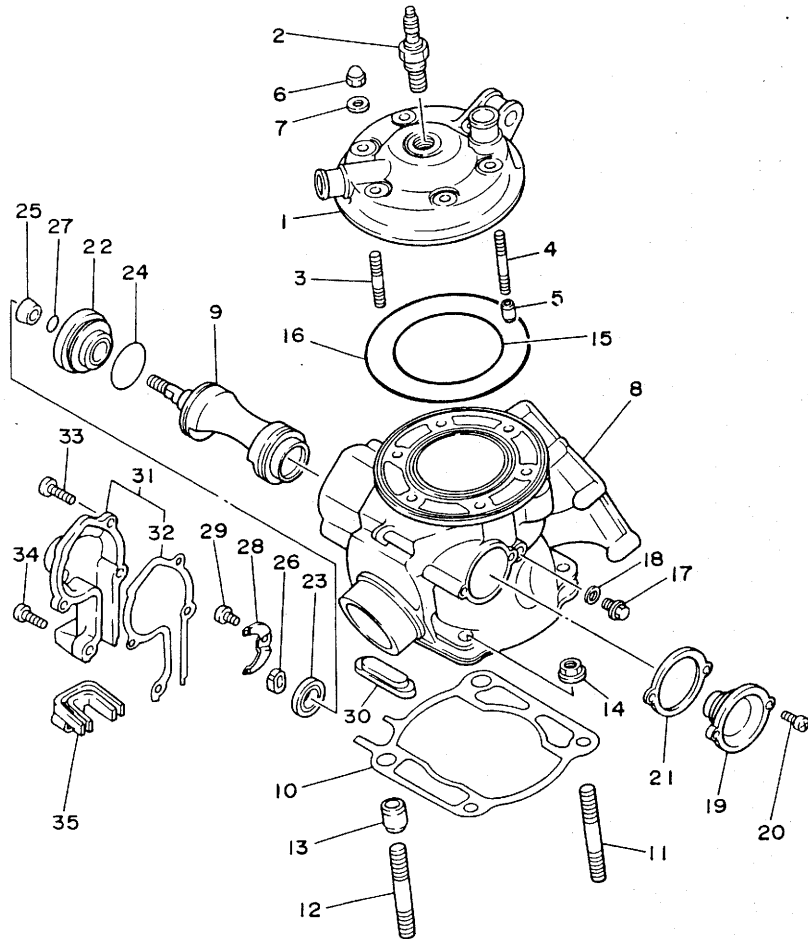
FIG. 1 CYLINDER

REF. NO.	PART NO.	DESCRIPTION	Q'TY	REMARKS
1	1LU-11111-00	HEAD, cylinder 1	1	
2	*	PLUG, spark (CHAMPION N-86)	1	LM
	*	PLUG, spark (CHAMPION QN-86)	1	LM for S.AFRICA
3	90116-08394	BOLT, stud	4	
4	90116-08392	BOLT, stud	2	
5	99510-10114	PIN, dowel	2	
6	90176-08026	NUT, crown	6	
7	90201-08087	WASHER, plate	6	
8	1LU-11311-00	CYLINDER 1	1	
9	1LU-1131A-00	VALVE 1	1	
10	1LU-11351-00	GASKET, cylinder	1	
11	90116-10313	BOLT, stud	2	
12	90116-10314	BOLT, stud	2	
13	99530-14016	PIN, dowel	2	
14	95701-10500	NUT, flange	4	
15	93210-77363	O-RING	1	
16	93211-17405	O-RING	1	
17	95806-06012	BOLT, flange	1	
18	90430-06192	GASKET	1	
19	39W-W1132-00	HOLDER 1	1	
20	98506-05012	SCREW, pan head	2	
21	5X4-1131N-00	GASKET, holder	1	
22	5X4-W1133-00	HOLDER 2	1	
23	93104-16074	OIL SEAL	1	
24	93210-27244	O-RING	1	
25	90387-102F3	COLLAR	1	
26	5X5-11937-00	BOSS, lever	1	
27	93210-09192	O-RING	1	



1LU010-6010

FIG. 1 CYLINDER



REF. NO.	PART NO.	DESCRIPTION	Q'TY	REMARKS
28	55Y-11915-00	PLATE, thrust 1	1	
29	98506-05010	SCREW, pan head	1	
30	47X-11355-00	SEAL, cylinder 1	1	
31	1LU-11992-00	HOUSING 2	1	
32	1LU-11993-00	.GASKET	1	
33	98506-05018	SCREW, pan head	3	
34	98506-05014	SCREW, pan head	1	
35	39X-11995-00	SEAL, housing	1	

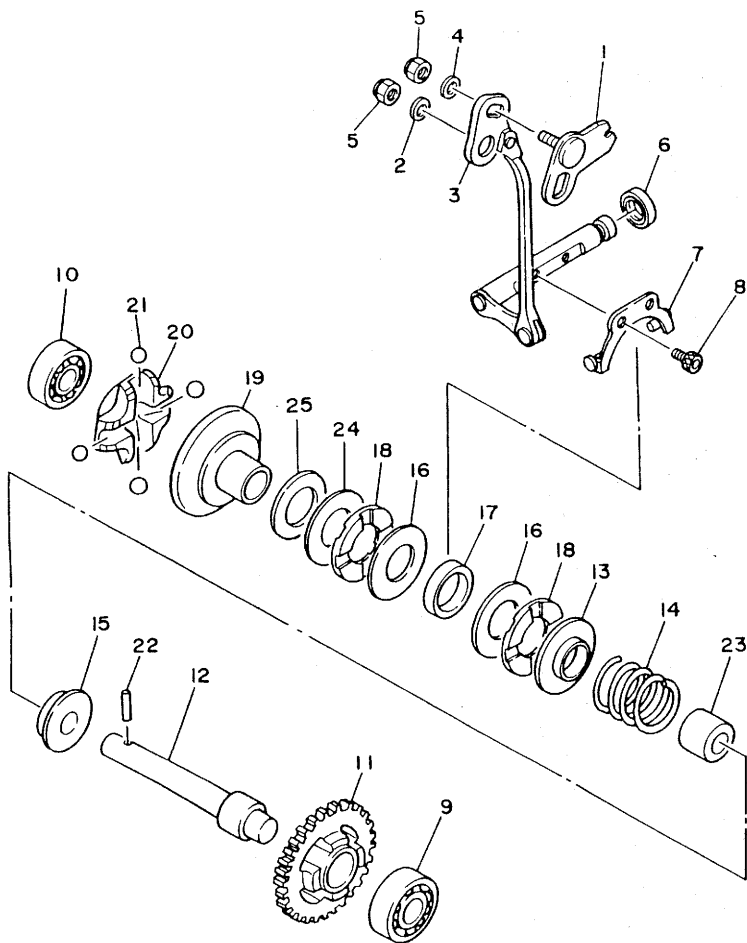


1LU010-6010

B3

M/R. 85101

FIG. 2 GOVERNOR



REF. NO.	PART NO.	DESCRIPTION	Q'TY	REMARKS
1	1LU-11931-00	LEVER	1	
2	90201-057H5	WASHER, plate	→ 1	ø 57K1
3	1LU-11990-00	PUSH ROD ASSY	1	
4	92901-05600	WASHER, plate	1	
5	95601-05100	NUT, u	2	
6	93104-08040	OIL SEAL	1	
7	5X5-11922-00	FORK, governor	1	
8	91316-04006	BOLT	2	
9	93306-00004	BEARING	1	
10	93300-60801	BEARING (B0060)	1	koyo
11	5X5-11953-00	GEAR, governor (29T)	1	
12	5X5-11921-00	SHAFT, governor	1	
13	5X5-11951-00	PLATE	1	
14	90501-24745	SPRING, compression	1	
15	5X5-11952-00	PLATE	1	
16	90201-151A7	WASHER, plate (T=1.0)	2	
17	90387-152F2	COLLAR	1	
18	90380-15104	BUSH, solid	2	
19	5X5-11912-01	RETAINER, weight	1	
20	5X5-11911-01	RETAINER	1	
21	93521-64032	BALL	4	
22	93603-14179	PIN, dowel	1	
23	90387-083F4	COLLAR	1	
24	90201-151A7	WASHER, plate (T=1.0)	1	UR
	90201-154F5	WASHER, plate (T=0.8)	1	UR
25	90201-154F6	WASHER, plate (T=0.2)	1	UN



1LU010-6020

B4

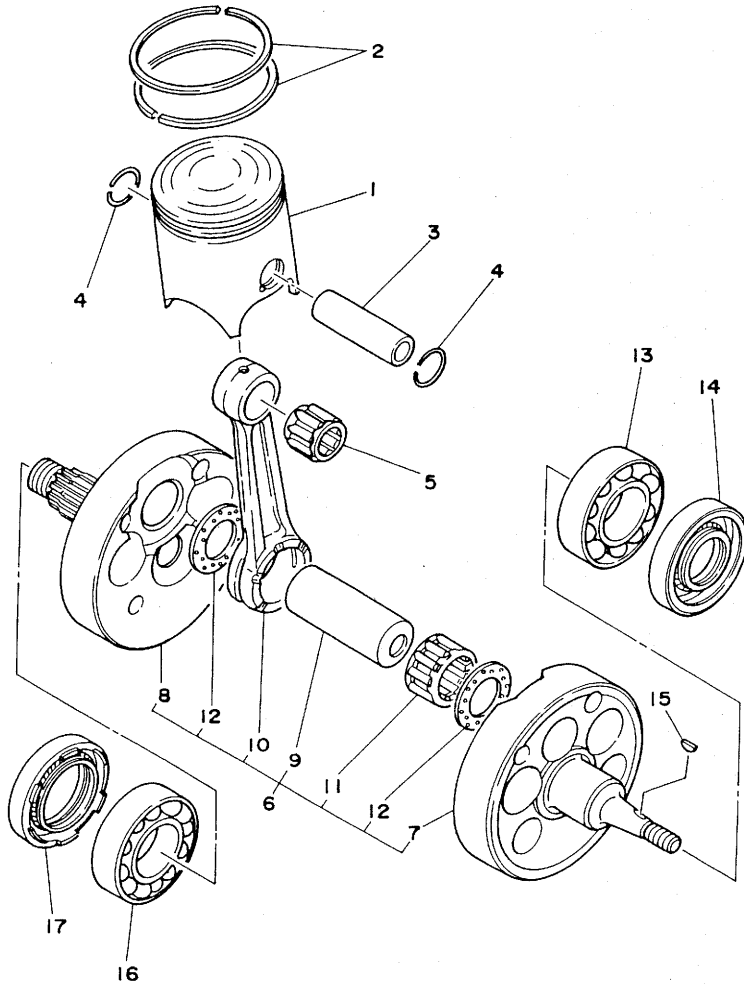


FIG. 3 CRANKSHAFT. PISTON

REF. NO.	PART NO.	DESCRIPTION	Q'TY	REMARKS
1	1LU-11631-00-93	PISTON (STD)	1	UR
	1LU-11631-00-94	PISTON (STD)	1	UR
	1LU-11635-00	PISTON (0.25MM O/S)	1	UR AP
	1LU-11636-00	PISTON (0.50MM O/S)	1	UR AP
	1LU-11637-00	PISTON (0.75MM O/S)	1	UR AP
2	56A-11601-00	PISTON RING SET (STD)	1	
	56A-11601-10	PISTON RING SET (1ST O/S)	1	UR AP
	56A-11601-20	PISTON RING SET (2ND O/S)	1	UR AP
	56A-11601-30	PISTON RING SET (3RD O/S)	1	UR AP
3	214-11633-00	PIN, piston	1	
4	93450-19052	CIRCLIP	2	
5	93310-418E9	BEARING, cylindrical	1	
6	56A-11400-00	CRANKSHAFT ASSY	1	
7	24Y-11412-01	.CRANK 1	1	
8	24Y-11422-01	.CRANK 2	1	
9	2X4-11681-00	.PIN, crank 1	1	
10	24Y-11651-00	.ROD, connecting	1	
11	93310-425N4	.BEARING, cylindrical	1	
12	90209-25085	.WASHER	2	
13	93306-20627	BEARING	1	
14	93103-30150	OIL SEAL	1	
15	90280-03017	KEY, woodruff	1	
16	93306-20627	BEARING	1	
17	93103-40091	OIL SEAL	1	

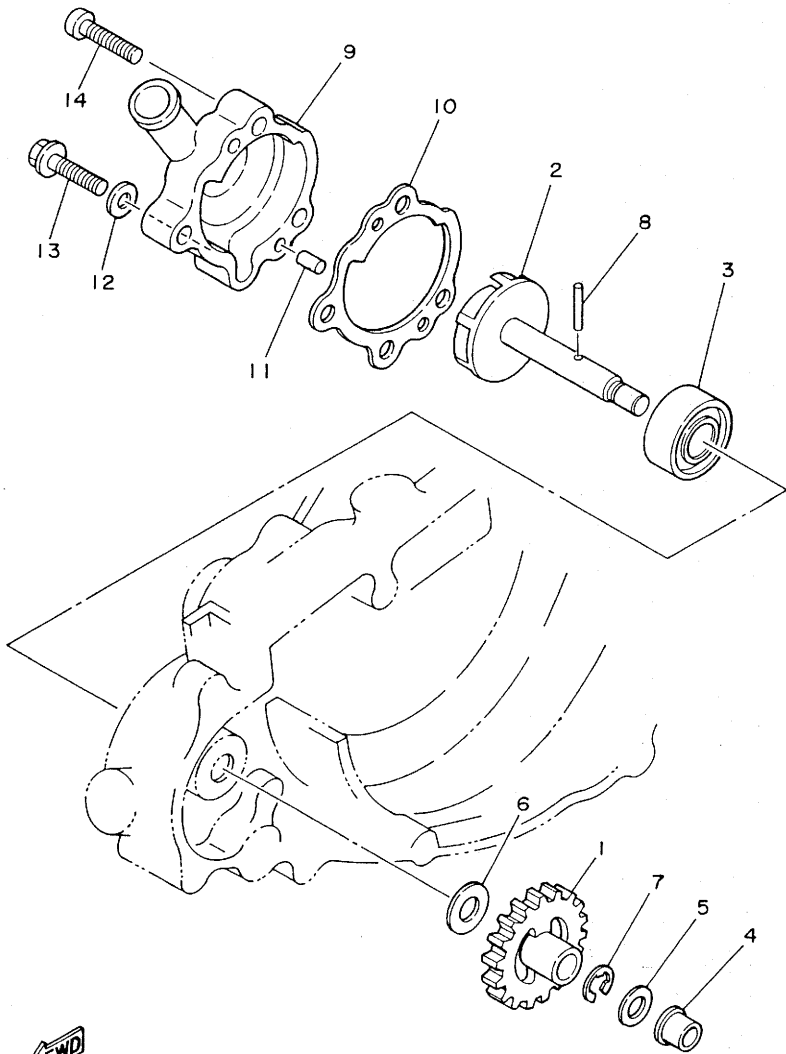


56A110-5030

B5

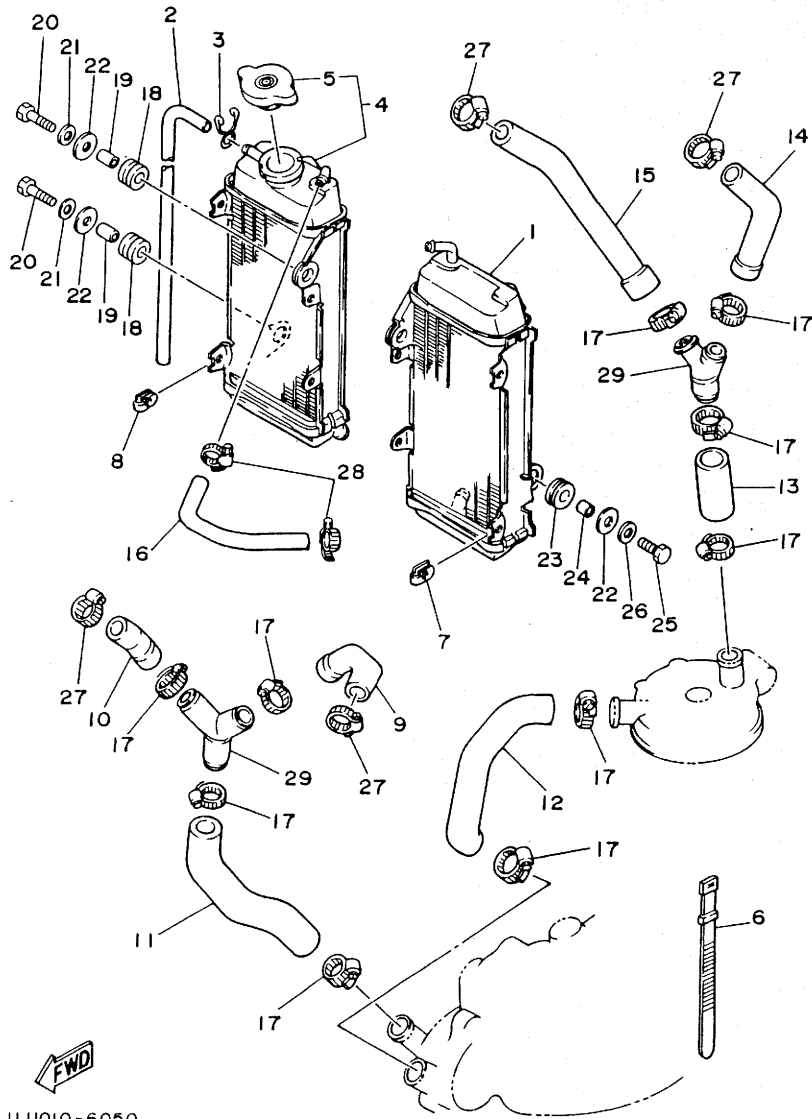
FIG. 4 WATER PUMP

REF. NO.	PART NO.	DESCRIPTION	Q'TY	REMARKS
1	39X-12459-00	GEAR, impeller shaft	1	
2	39X-12450-00	IMPELLER SHAFT ASSY	1	
3	93103-10147	OIL SEAL	1	
4	90381-08002	BUSH, solid	1	
5	90201-08512	WASHER, plate	1	
6	90201-10138	WASHER, plate	1	
7	99001-07600	CIRCLIP	1	
8	93603-22028	PIN, dowel	1	
9	39X-12422-00	COVER, housing	1	
10	5X5-12428-00	GASKET, housing cover 2	1	
11	93604-10011	PIN, dowel	2	
12	90430-06166	GASKET	1	
13	95826-06025	BOLT, flange	1	
14	92506-06025	SCREW, pan head	3	



39X100-4040

B6



FWD

1LU010-6050

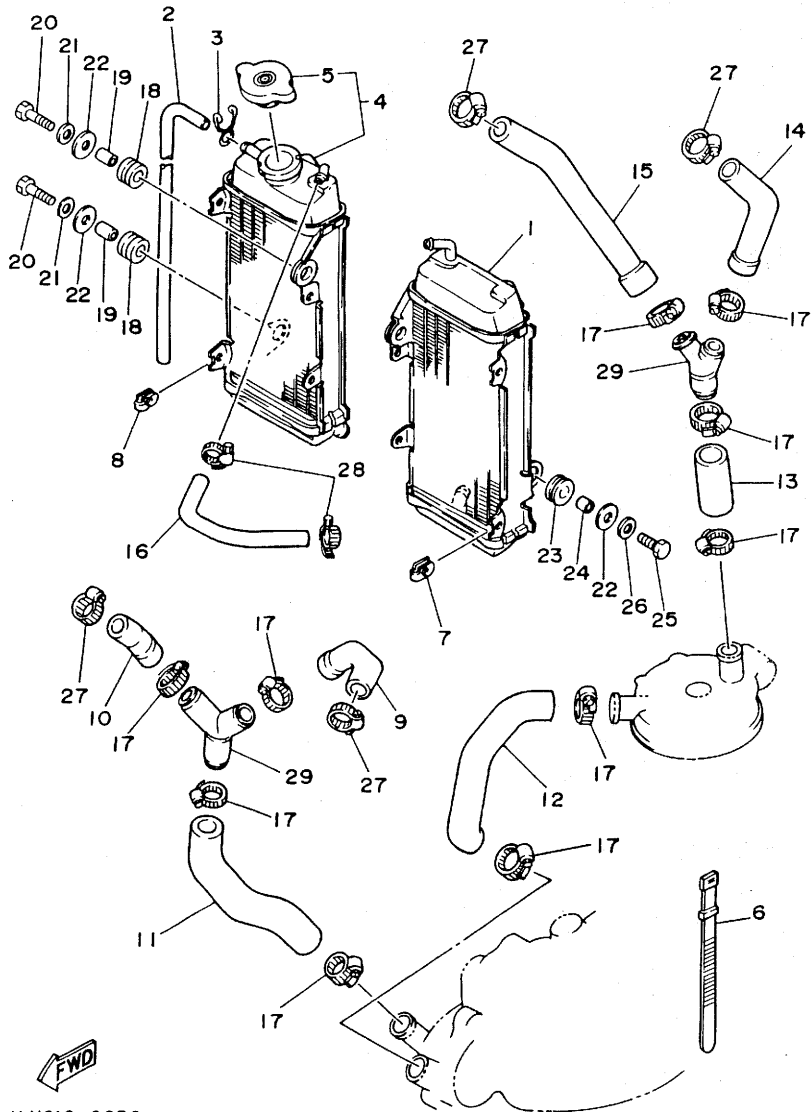
FIG. 5 RADIATOR. HOSE

REF. NO.	PART NO.	DESCRIPTION	Q'TY	REMARKS
1	1LX-12460-00	RADIATOR ASSY	1	
2	90446-09079	HOSE	1	
3	90467-09006	CLIP	1	
4	1LU-1240A-00	RADIATOR ASSY 2	1	
5	22W-12462-00	.CAP, radiator	1	
6	437-83936-10	BAND, switch cord	1	
7	22W-21791-00	NUT	2	
8	22W-21791-00	NUT	2	
9	1LU-12481-00	PIPE 1	1	
10	1LU-12482-00	PIPE 2	1	
11	1LU-12483-00	PIPE 3	1	
12	39X-12484-00	PIPE 4	1	
13	39X-12485-00	PIPE 5	1	
14	1LU-12476-00	PIPE 6	1	
15	1LU-12477-00	PIPE 7	1	
16	1LU-1248A-00	PIPE 8	1	
17	90460-31253	CLAMP, hose	10	
18	90480-15064	GROMMET	2	
19	90387-07392	COLLAR	2	
20	97301-06030	BOLT	2	
21	92901-06600	WASHER, plate	2	
22	90201-06570	WASHER, plate	4	
23	90480-18276	GROMMET	2	
24	90387-07573	COLLAR	2	
25	97301-06020	BOLT	2	
26	92901-06600	WASHER, plate	2	
27	90460-22252	CLAMP, hose	4	
28	90460-15227	CLAMP, hose	2	

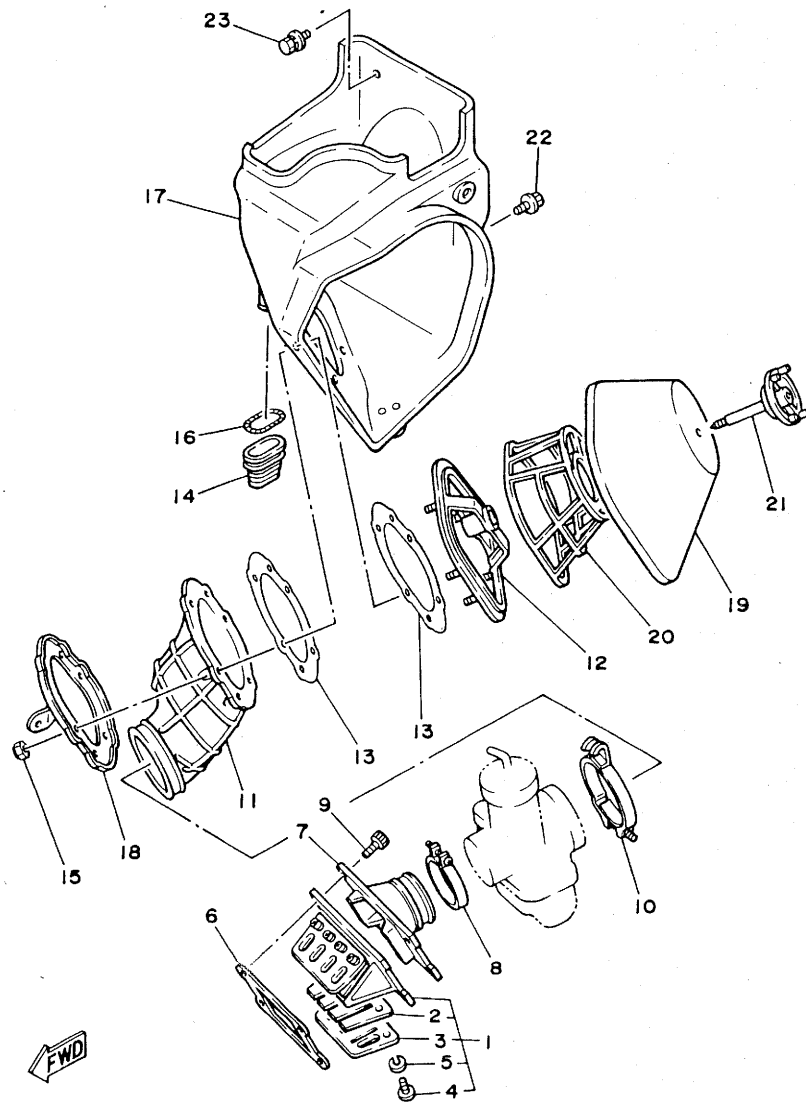
B7

FIG. 5 RADIATOR. HOSE.

REF. NO.	PART NO.	DESCRIPTION	Q'TY	REMARKS
29	24X-12469-00	JOINT 1	2	



ILU010-6050

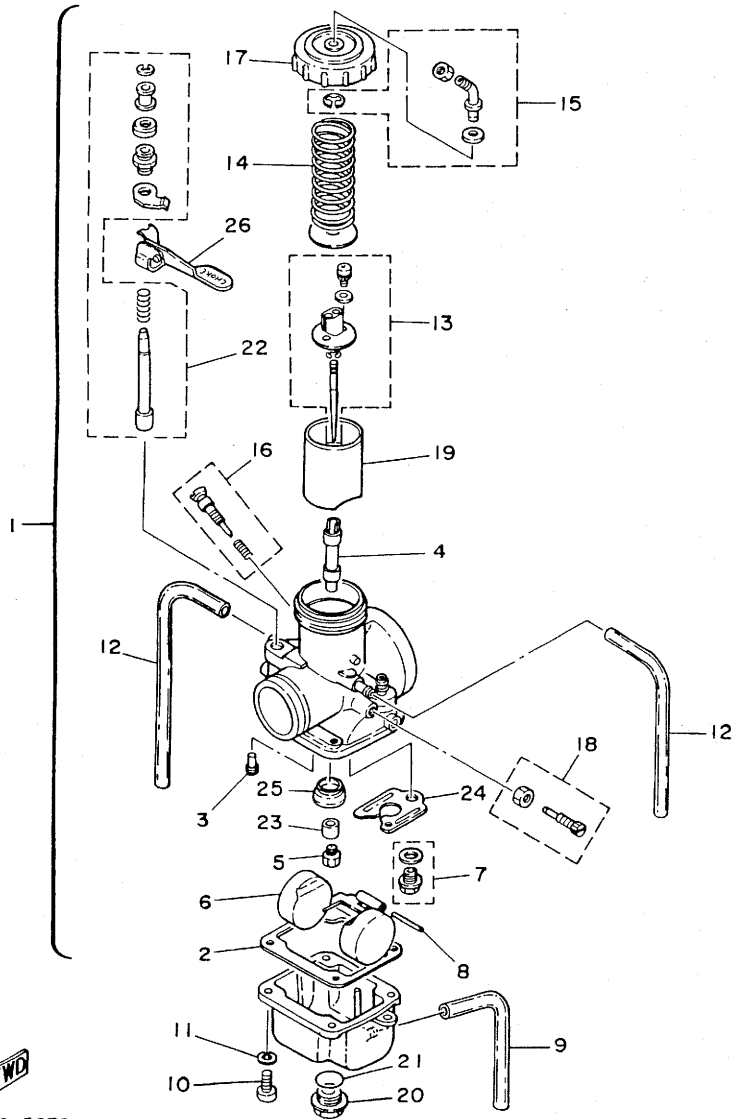


1LU010-6060

FIG. 6 INTAKE

REF. NO.	PART NO.	DESCRIPTION	Q'TY	REMARKS
1	56A-13610-00	REED VALVE ASSY	1	
2	56A-13613-00	.REED, valve	2	
3	56A-13616-00	.STOPPER, reed valve	2	
4	98580-03008	.SCREW, pan head	8	
5	92990-03100	.WASHER, spring	8	
6	39X-13621-00	GASKET, valve seat	1	
7	39X-13565-00	JOINT, carburetor	1	
8	90460-51109	CLAMP, hose	1	
9	91316-06020	BOLT	6	
10	90460-68199	CLAMP, hose	1	
11	1LU-14453-00	JOINT, air cleaner 1	1	
12	56A-14459-00	HOLDER, guide	1	
13	39X-14462-00	SEAL	2	
14	39K-14457-00	SEAL	1	
15	95601-05100	NUT, u	6	
16	90504-03033	SPRING, compression	1	
17	1LU-W1441-00	AIR CLEANER CASE COMP.	1	
18	1LU-14477-00	PLATE	1	
19	1LX-14451-00	ELEMENT, air cleaner	1	
20	1LX-14458-00	GUIDE	1	
21	56A-14468-00	PLATE, element fitting	1	
22	90119-06081	BOLT, with washer	2	
23	90119-06056	BOLT, with washer	1	

FIG. 7 CARBURETOR



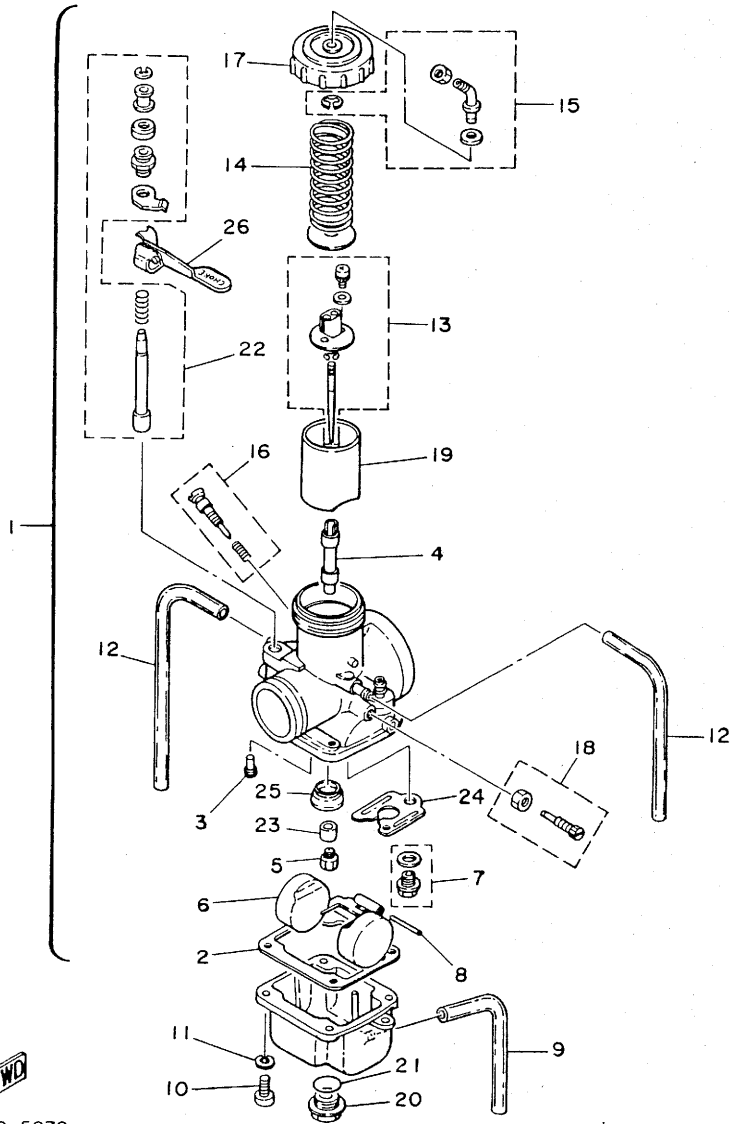
REF. NO.	PART NO.	DESCRIPTION	Q'TY	REMARKS
1	1LU-14101-00	CARBURETOR ASSY 1	1	
2	363-14184-00	.GASKET, float chamber	1	
3	193-14142-40	.JET, pilot (# 40)	1	STD
	193-14142-35	.JET, pilot (# 35)	1	UR AP
	193-14142-45	.JET, pilot (# 45)	1	UR AP
4	510-14141-54	.NOZZLE, main	1	STD
	510-14141-52	.NOZZLE, main	1	UR AP
	510-14141-56	.NOZZLE, main	1	UR AP
5	137-14143-68	.JET, main (#340)	1	STD
	137-14143-64	.JET, main (#320)	1	UR AP
	137-14143-66	.JET, main (#330)	1	UR AP
	137-14143-70	.JET, main (#350)	1	UR AP
	137-14143-72	.JET, main (#360)	1	UR AP
6	2N7-14185-00	.FLOAT	1	
7	23X-14107-35	.NEEDLE VALVE SET	1	
8	537-14186-00	.PIN, float	1	
9	2K7-14197-00	.PIPE	1	
10	98501-05016	.SCREW, pan head	4	
11	92990-05100	.WASHER, spring	4	
12	310-14197-00	.PIPE	2	
13	23X-1490J-00	.NEEDLE SET	1	
14	431-14131-00	.SPRING, throttle valve	1	
15	23X-14106-00	.CABLE ADJUST SCREW SET	1	
16	23X-14104-00	.AIR SCREW SET	1	
17	5Y9-14158-00	.TOP, mixing chamber	1	
18	23X-14103-00	.THROTTLE SCREW SET	1	
19	2X8-14112-30	.VALVE, throttle l (3.0)	1	STD
	2X8-14112-25	.VALVE, throttle l (2.5)	1	UR AP

56A110-5070

B10

FIG. 7 CARBURETOR

REF. NO.	PART NO.	DESCRIPTION	Q'TY	REMARKS
	2X8-14112-35	.VALVE, throttle l (3.5)	1	UR AP
20	510-14115-00	.PLUG, screw	1	
21	558-14147-00	.O-RING	1	
22	26A-1410A-00	.STARTER SET	1	
23	5X5-14153-00	.WASHER, main jet	1	
24	3R4-14146-00	.PLATE	1	
25	509-14145-00	.SETTER, needle jet	1	
26	1W3-14175-00	.LEVER, starter l	1	



56A110-5070

B11



ILU010-6080

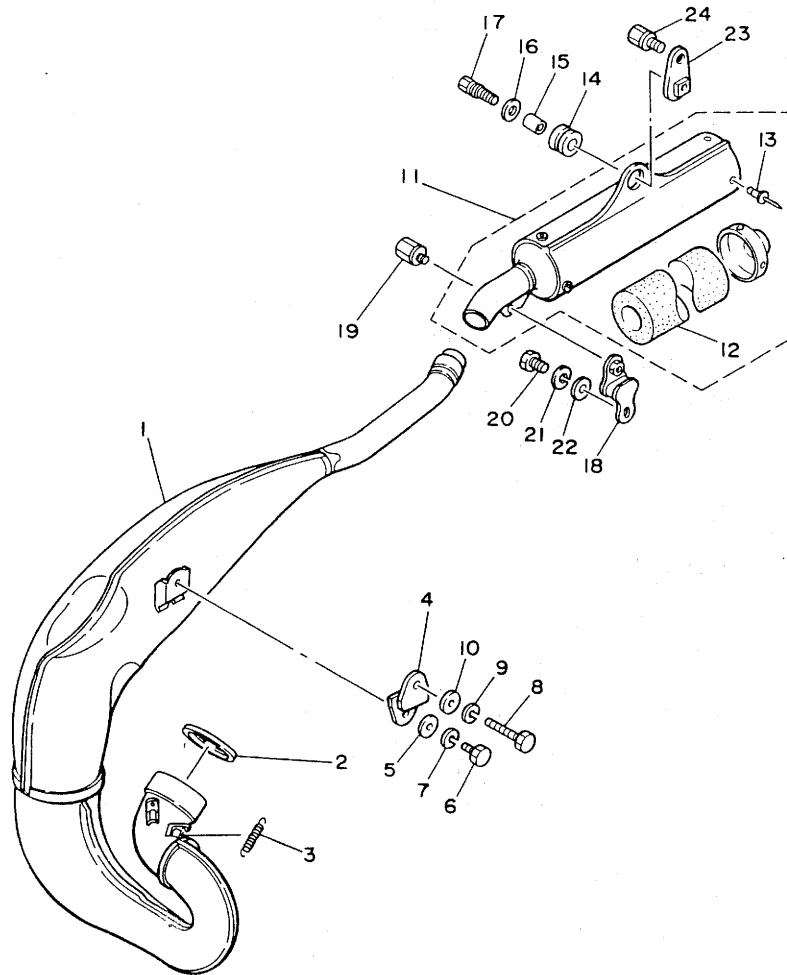
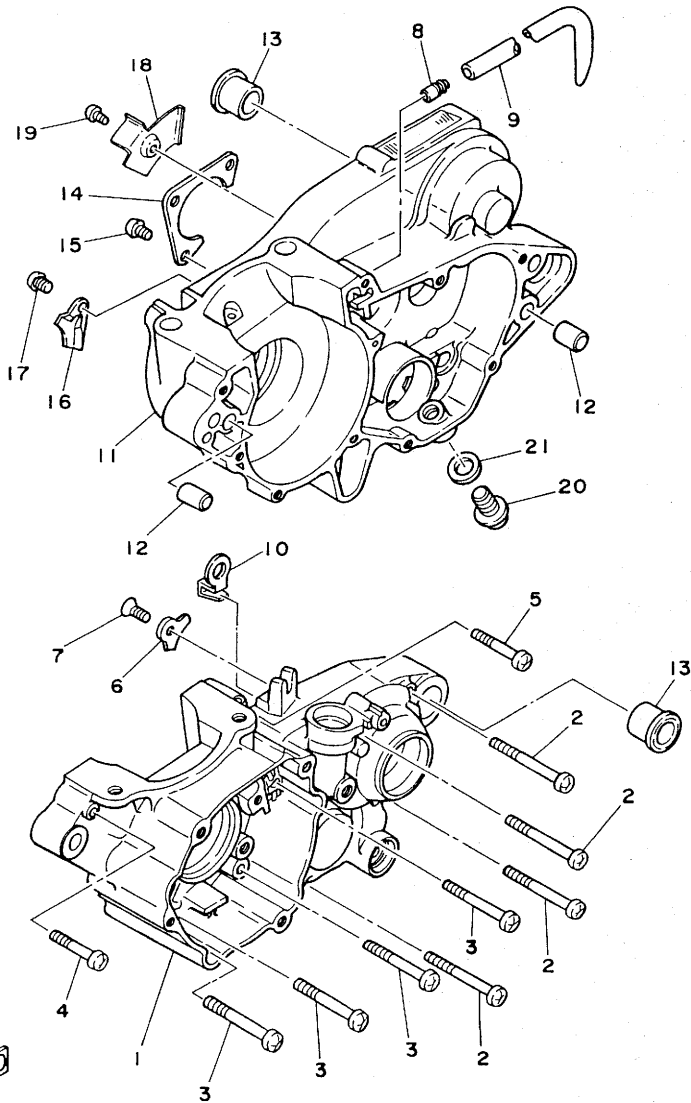


FIG. 8 EXHAUST

REF. NO.	PART NO.	DESCRIPTION	Q'TY	REMARKS
1	1LU-14610-00	EXHAUST PIPE ASSY 1	1	
2	24Y-14613-00	GASKET, exhaust pipe	1	
3	90507-20030	SPRING, tension	3	
4	24Y-14771-00	STAY, muffler 1	1	
5	90201-08730	WASHER, plate	1	
6	97301-08016	BOLT	1	
7	92990-08100	WASHER, spring	1	
8	97301-08060	BOLT	1	
9	92990-08100	WASHER, spring	1	
10	92901-08600	WASHER, plate	1	
11	1LU-14753-00	SILENCER, exhaust	1	UR
	56A-14753-10	SILENCER, exhaust	1	UR for N.S.W
12	1LU-1469A-00	.FIBER	1	UR
	56A-1469A-10	.FIBER	1	UR for N.S.W
13	90267-40115	.RIVET, blind	4	
14	39X-14747-00	DAMPER, muffler	1	
15	90387-081A3	COLLAR	1	
16	90201-08612	WASHER, plate	1	
17	95801-08025	BOLT, flange	1	
18	565-14771-00	STAY, muffler 1	1	
19	90109-06551	BOLT	1	
20	97301-06016	BOLT	1	
21	92990-06100	WASHER, spring	1	
22	92901-06600	WASHER, plate	1	
23	1LX-14744-00	BRACKET	1	
24	90109-08573	BOLT	1	

FIG. 9 CRANKCASE

REF. NO.	PART NO.	DESCRIPTION	Q'TY	REMARKS
1	5X5-15111-03	CRANKCASE 1	1	
2	91316-06060	BOLT	4	
3	91316-06055	BOLT	4	
4	91316-06045	BOLT	1	
5	91316-06040	BOLT	1	
6	56A-15383-00	PLATE, bearing cover	1	
7	92701-06012	SCREW, flat head	1	
8	137-13115-00	CONNECTOR, suction pipe	1	
9	90445-08605	HOSE	1	
10	23X-26393-00	HOLDER	1	
11	5X5-15121-01	CRANKCASE 2	1	
12	99510-12016	PIN, dowel	4	
13	90387-160H4	COLLAR	2	
14	23X-15381-00	PLATE, bearing cover	1	
15	92501-06012	SCREW, pan head	3	
16	3R4-15118-00	HOLDER	1	
17	92501-08010	SCREW, pan head	1	
18	5X5-15113-00	PLATE	1	
19	92501-06010	SCREW, pan head	1	
20	90340-12095	PLUG, straight screw	1	
21	90430-12038	GASKET	1	



5X5100-2102

B13

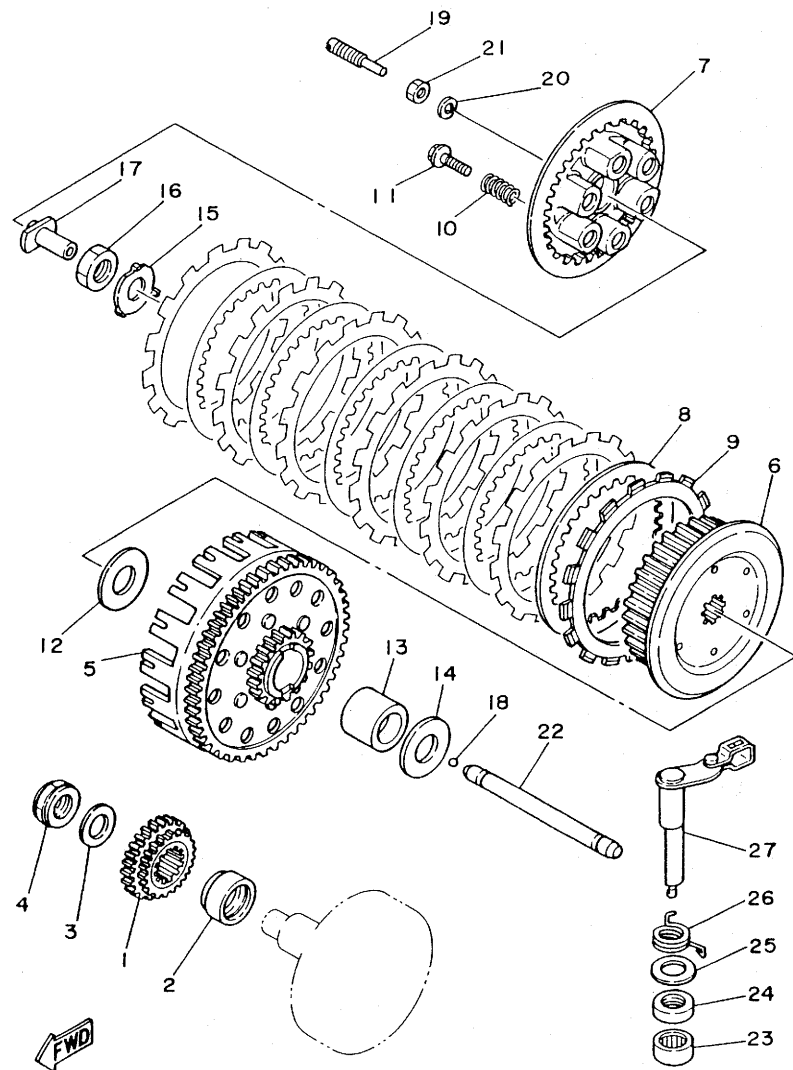


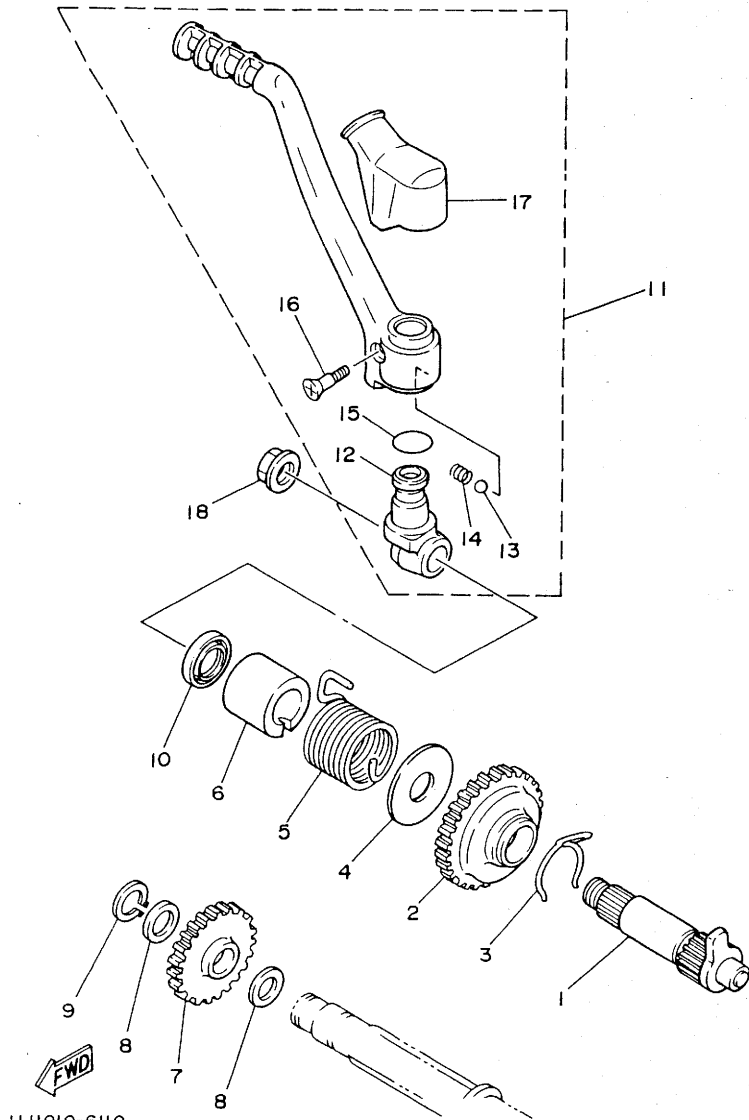
FIG. 12 CLUTCH

REF. NO.	PART NO.	DESCRIPTION	Q'TY	REMARKS
1	24Y-16110-00	PRIMARY DRIVE GEAR ASSY	1	
2	90387-252F6	COLLAR	1	
3	90201-186H3	WASHER, plate	1	
4	90185-18126	NUT, self-locking	1	
5	39X-16150-00	PRIMARY DRIVEN GEAR COMP.	1	
6	23X-16371-00	BOSS, clutch	1	
7	23X-16351-00	PLATE, pressure 1	1	
8	4H7-16325-00	PLATE, clutch 2	6	
9	5X5-16321-00	PLATE, friction	7	
10	90501-23346	SPRING, compression	6	
11	90159-06016	SCREW, with washer	6	
12	2K7-16154-00	PLATE, thrust 1	1	
13	2K7-16181-00	SPACER 1	1	
14	2K7-16154-00	PLATE, thrust 1	1	
15	90215-20212	WASHER, lock	1	
16	90170-20255	NUT	1	
17	23X-16356-00	ROD, push 1	1	
18	93515-32029	BALL	1	
19	90149-06178	SCREW	1	
20	92990-06100	WASHER, spring	1	
21	95301-06600	NUT	1	
22	2K7-16357-01	ROD, push 2	1	
23	93315-21721	BEARING, cylindrical	1	
24	93102-17263	OIL SEAL	1	
25	90201-17327	WASHER, plate	1	
26	90508-14423	SPRING, torsion	1	
27	1LU-16380-00	PUSH LEVER ASSY	1	

ILU010-6120

FIG. 11 STARTER

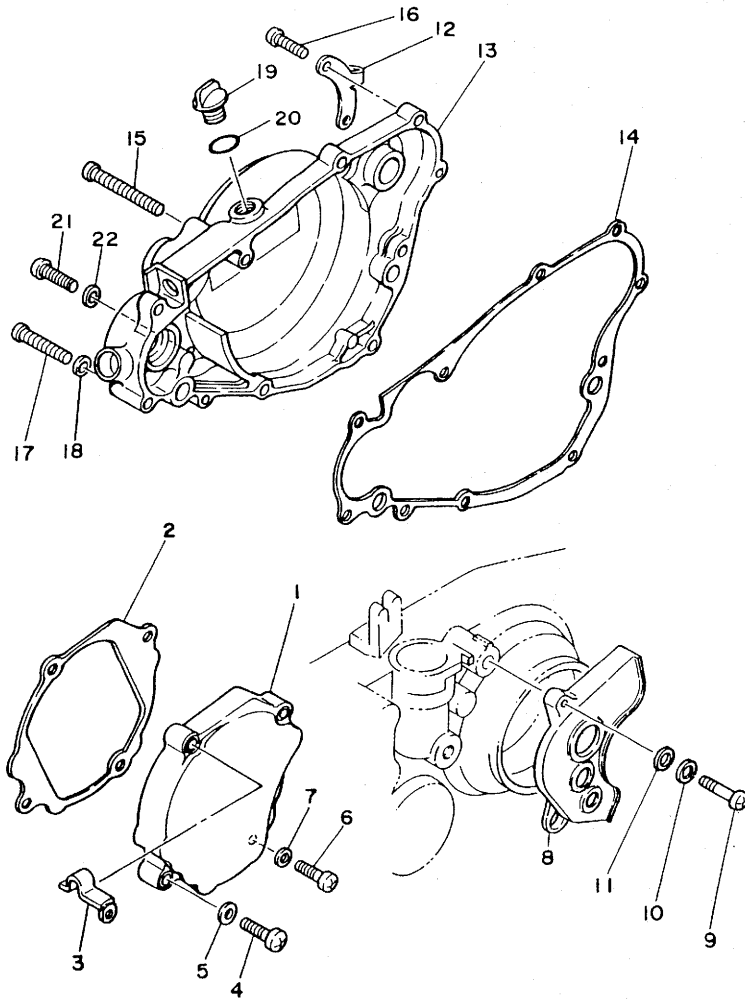
REF. NO.	PART NO.	DESCRIPTION	Q'TY	REMARKS
1	56A-15661-00	AXLE, kick	1	
2	3R4-15641-00	GEAR, kick (26T)	1	
3	90468-26177	CLIP	1	
4	90201-20358	WASHER, plate	1	
5	90508-30422	SPRING, torsion	1	
6	3R4-15664-00	GUIDE, spring	1	
7	3R4-15651-00	GEAR, sprocket idle (21T)	1	
8	90201-17545	WASHER, plate	2	
9	99009-17400	CIRCLIP	1	
10	93102-20309	OIL SEAL	1	
11	1LU-15620-00	KICK CRANK ASSY	1	
12	24Y-15621-00	.BOSS, kick crank	1	
13	93501-04011	.BALL	1	
14	90501-13720	.SPRING, compression	1	
15	93210-19216	.O-RING	1	
16	90152-06010	.SCREW, countersunk	1	
17	24Y-15618-00	.COVER, kick lever	1	
18	90179-12244	NUT	1	



1LU010-6110

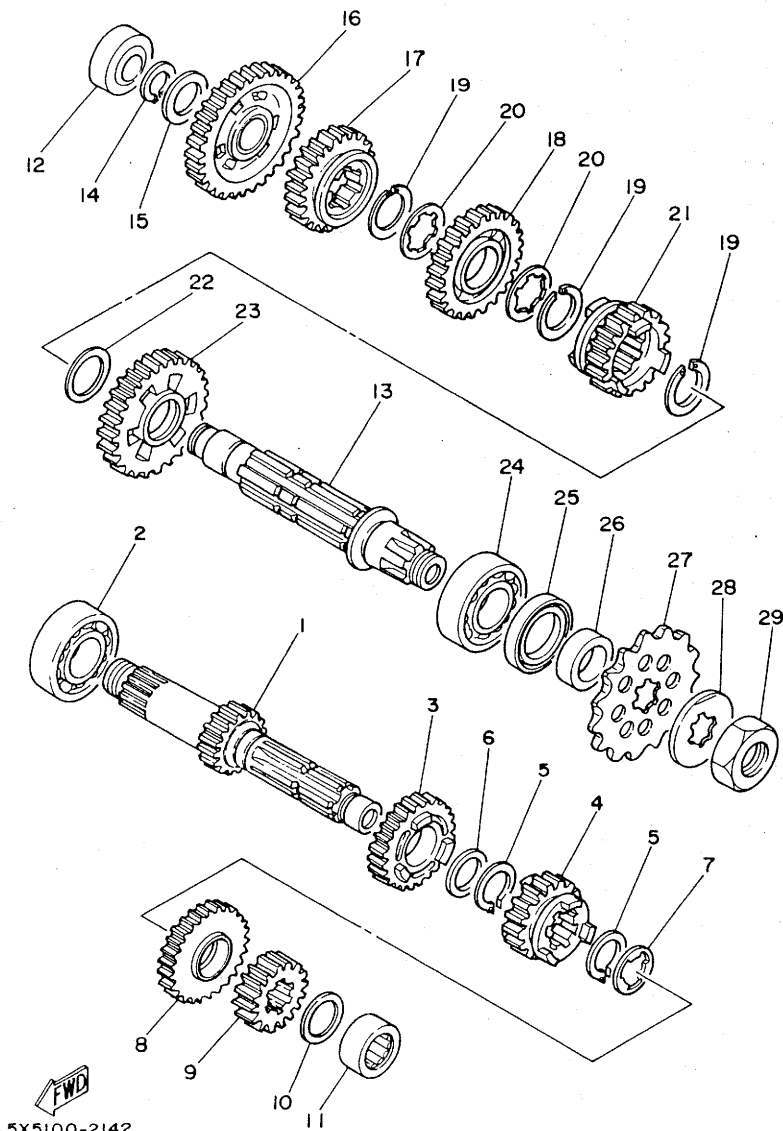
B15

FIG. 10 CRANKCASE COVER 1



REF. NO.	PART NO.	DESCRIPTION	Q'TY	REMARKS
1	39X-15411-00	COVER, crankcase 1	1	
2	5X5-15451-00	GASKET, crankcase cover 1	1	
3	90465-06247	CLAMP	1	
4	92506-06030	SCREW, pan head	3	
5	92906-06600	WASHER, plate	3	
6	92506-06025	SCREW, pan head	1	
7	92906-06600	WASHER, plate	1	
8	23X-15421-00	COVER, crankcase 2	1	
9	92506-06025	SCREW, pan head	1	
10	92906-06100	WASHER, spring	1	
11	92906-06600	WASHER, plate	1	
12	56A-15378-00	HOLDER	1	
13	24Y-15431-00	COVER, crankcase 3	1	
14	5X5-15462-00	GASKET, crankcase cover 3	1	
15	92506-06065	SCREW, pan head	1	
16	92506-06025	SCREW, pan head	8	
17	92506-06040	SCREW, pan head	1	
18	92906-06600	WASHER, plate	1	
19	168-15362-00	PLUG, oil level	1	
20	93210-14104	O-RING	1	
21	92506-06008	SCREW, pan head	1	
22	90430-06016	GASKET	1	


ILU010-6100



5X5100-2142

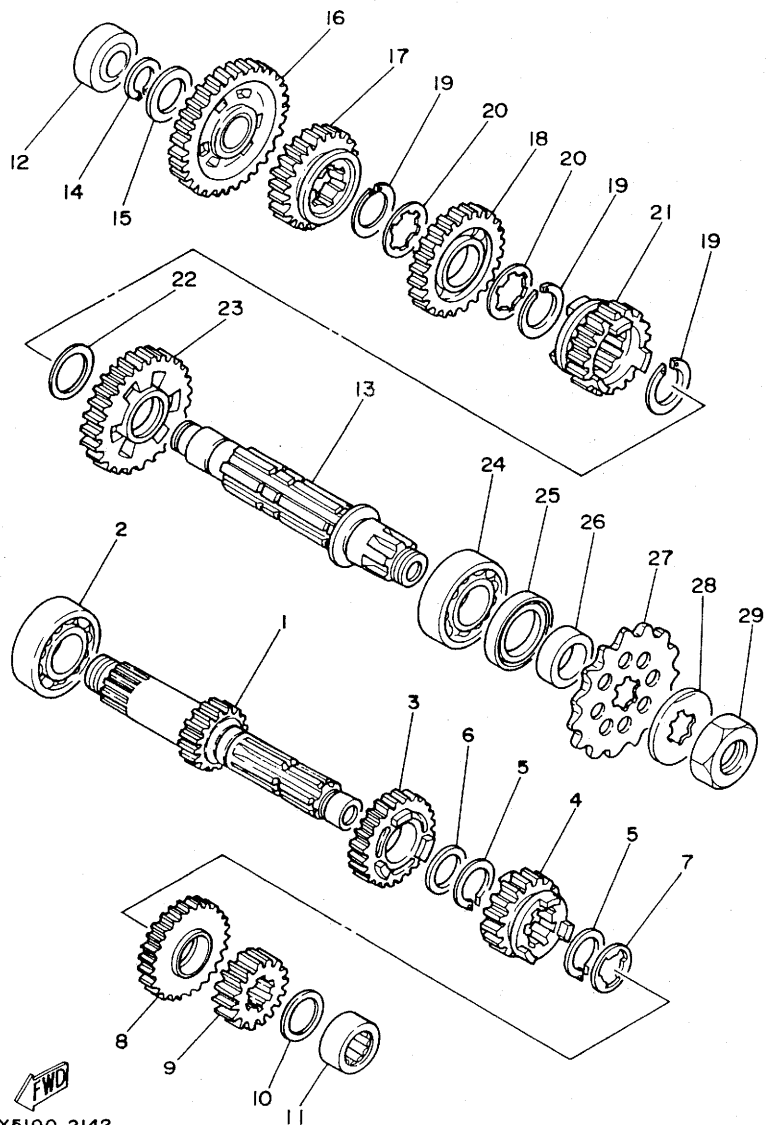
FIG. 13 TRANSMISSION

REF. NO.	PART NO.	DESCRIPTION	Q'TY	REMARKS
1	24Y-17411-00	AXLE, main (14T)	1	
2	93300-20501	BEARING (TM205C3)	1	
3	1LU-17141-00	GEAR, 4th pinion (21T)	1	
4	24Y-17131-00	GEAR, 3rd pinion (19T)	1	
5	93410-22039	CIRCLIP	3	
6	90201-22555	WASHER, plate	1	
7	90209-18135	WASHER	1	
8	5X5-17151-00	GEAR, 5th pinion (23T)	1	
9	24Y-17121-00	GEAR, 2nd pinion (16T)	1	
10	90209-17235	WASHER	1	
11	93311-41734	BEARING, cylindrical	1	
12	93311-62035	BEARING, cylindrical	1	
13	5X5-17421-00	AXLE, drive	1	
14	93410-20038	CIRCLIP	1	
15	90201-20278	WASHER, plate	1	
16	24Y-17211-00	GEAR, 1st wheel (30T)	1	
17	5X5-17241-00	GEAR, 4th wheel (24T)	1	
18	24Y-17231-00	GEAR, 3rd wheel (26T)	1	
19	93440-25084	CIRCLIP	3	
20	90209-22082	WASHER	2	
21	5X5-17251-00	GEAR, 5th wheel (22T)	1	
22	90201-253K0	WASHER, plate	1	
23	24Y-17221-01	GEAR, 2nd wheel	1	
24	93300-20501	BEARING (TM205C3)	1	
25	93102-32M07	OIL SEAL	1	
26	90387-25663	COLLAR	1	
27	23X-17461-40	SPROCKET, drive (14T)	1	STD
	23X-17461-30	SPROCKET, drive (13T)	1	UR AP

C3

FIG. 13 TRANSMISSION

REF. NO.	PART NO.	DESCRIPTION	Q'TY	REMARKS
27	23X-17461-50	SPROCKET, drive (15T)	1	UR AP
28	90215-21239	WASHER, lock	1	
29	90179-20255	NUT	1	

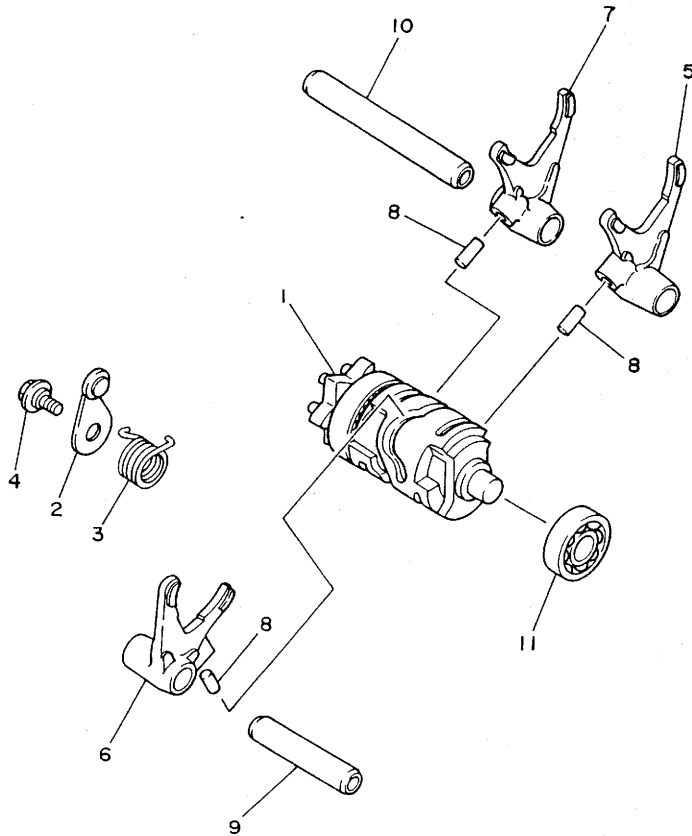


5X5100-2142

C4

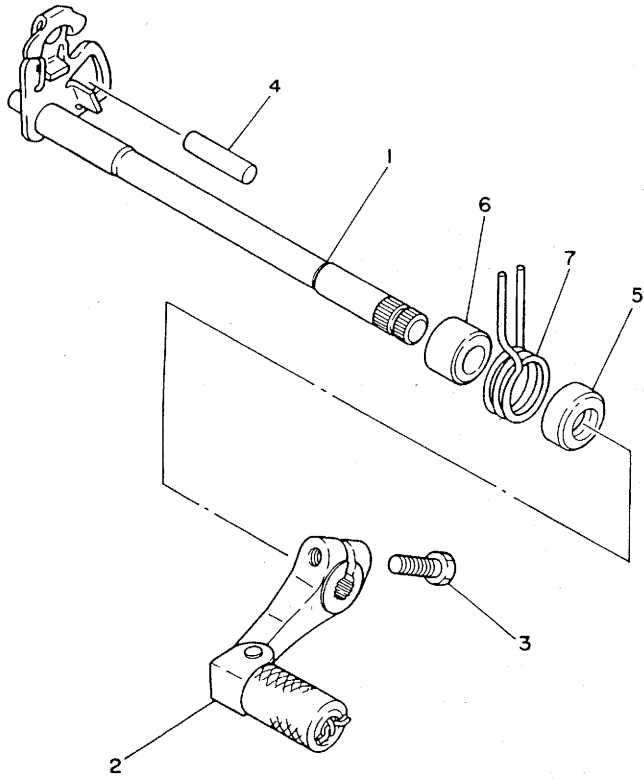
FIG. 14 SHIFT CAM. FORK

REF. NO.	PART NO.	DESCRIPTION	Q'TY	REMARKS
1	24Y-18540-00	SHIFT CAM ASSY	1	
2	3R4-18140-00	STOPPER LEVER ASSY	1	
3	90508-26608	SPRING, torsion	1	
4	1W1-18177-00	BOLT, stopper	1	
5	5X5-18511-00	FORK, shift 1	1	
6	4V3-18512-00	FORK, shift 2	1	
7	5X5-18513-00	FORK, shift 3	1	
8	93606-14154	PIN, dowel	3	
9	5X5-18531-01	BAR, shift fork guide 1	1	
10	5X5-18535-01	BAR, shift fork guide 2	1	
11	93306-00106	BEARING	1	



24Y100-3150

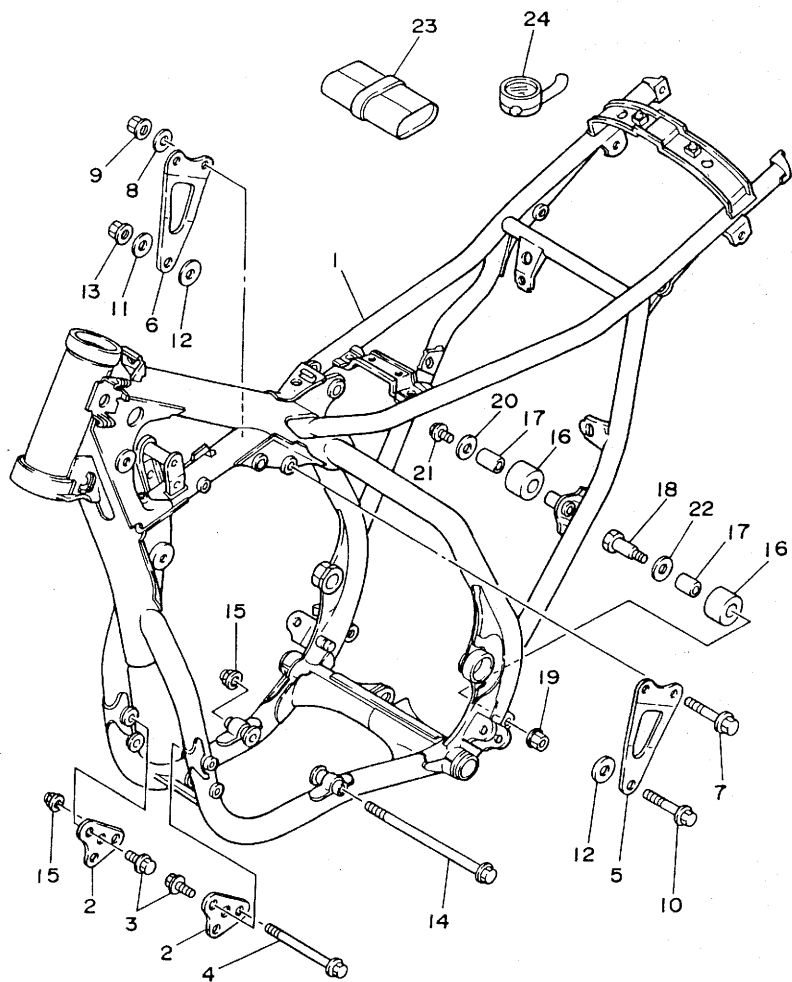
FIG. 15 SHIFTER



REF. NO.	PART NO.	DESCRIPTION	Q'TY	REMARKS
1	23X-18101-00	SHIFT SHAFT ASSY	1	
2	23X-18110-01	SHIFT PEDAL ASSY	1	
3	97321-06025	BOLT	1	
4	93608-25150	PIN, dowel	1	
5	93102-12106	OIL SEAL	1	
6	90560-12171	SPACER	1	
7	90508-29361	SPRING, torsion	1	



24Y100-3160



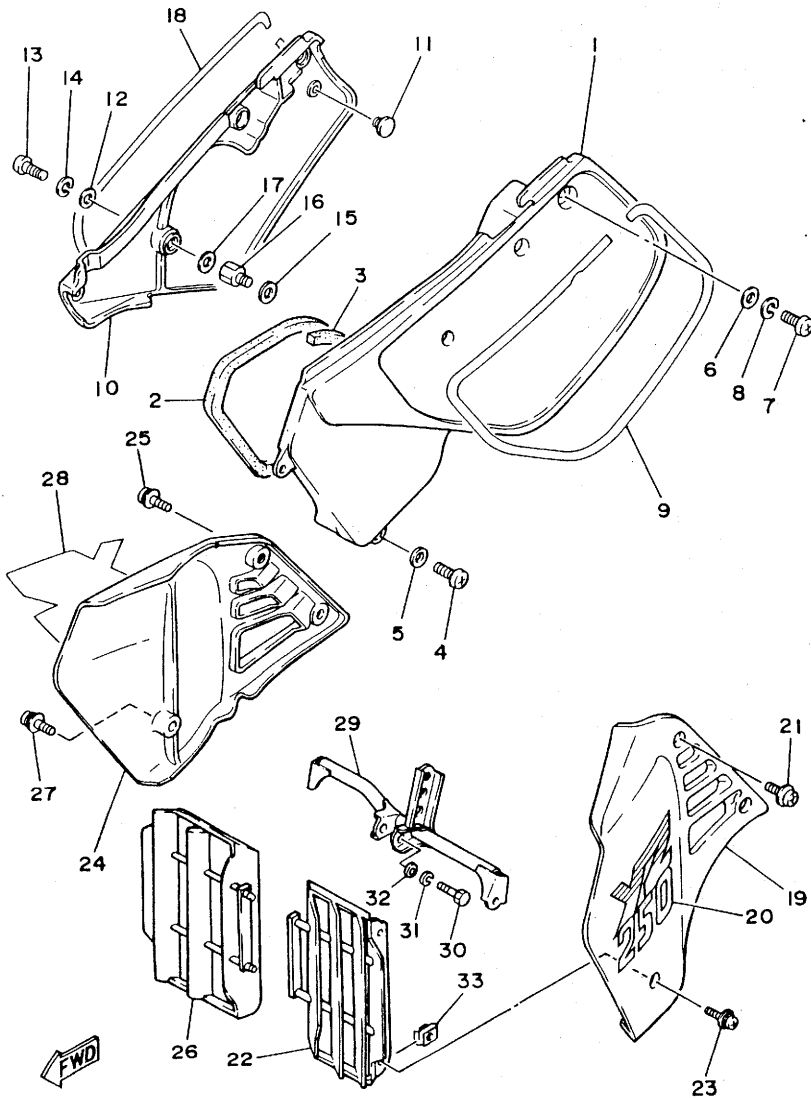
1LU010-6160

FIG. 16 FRAME

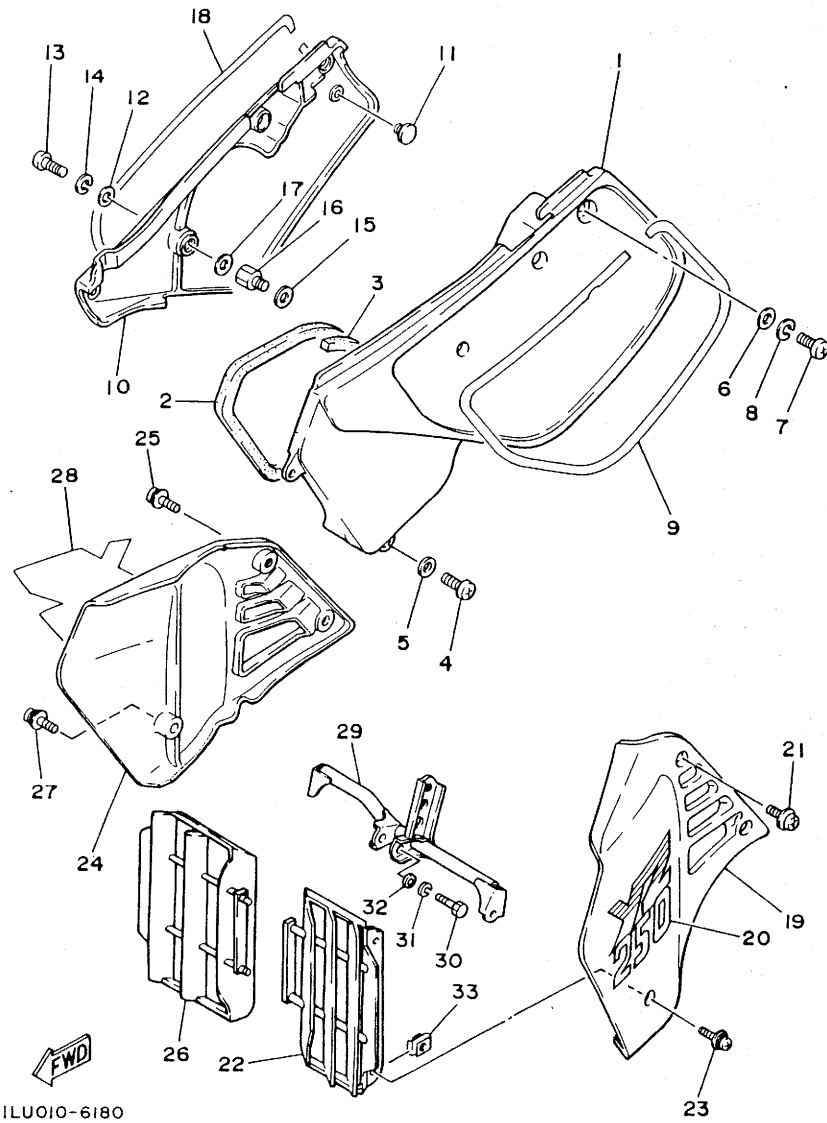
REF. NO.	PART NO.	DESCRIPTION	Q'TY	REMARKS
1	1LU-21110-10-FH	FRAME COMP.	1	fire red
2	24Y-21415-00	BRACKET, front upper 1	2	
3	95821-08020	BOLT, flange	4	
4	95811-08100	BOLT, flange	1	
5	1LU-21425-00	BRACKET, rear upper 1	1	
6	1LU-21426-00	BRACKET, rear upper 2	1	
7	95811-08055	BOLT, flange	2	
8	90202-08022	WASHER, plate	2	
9	90185-08113	NUT, self-locking	2	
10	95811-10055	BOLT, flange	1	
11	92901-10200	WASHER, plain	1	
12	90201-10139	WASHER, plate	2	
13	90179-10280	NUT	1	
14	95811-08180	BOLT, flange	1	
15	90185-08113	NUT, self-locking	2	
16	30X-22178-00	TENSIONER	2	
17	4V4-22184-00	BUSH	2	
18	90109-08705	BOLT	1	
19	90185-08106	NUT, self-locking	1	
20	90201-08753	WASHER, plate	1	
21	95802-08012	BOLT, flange	1	
22	90201-13202	WASHER, plate	1	
23	1LU-28100-00	TOOL KIT	1	
24	2X4-2811A-00	GAUGE, air	1	

FIG. 18 SIDE COVER

REF. NO.	PART NO.	DESCRIPTION	Q'TY	REMARKS
29	1LU-2174F-00	GUARD, radiator	1	
30	97301-08050	BOLT	1	
31	92990-08100	WASHER, spring	1	
32	92901-08600	WASHER, plate	1	
33	22W-21791-00	NUT	4	



1LU010-6180



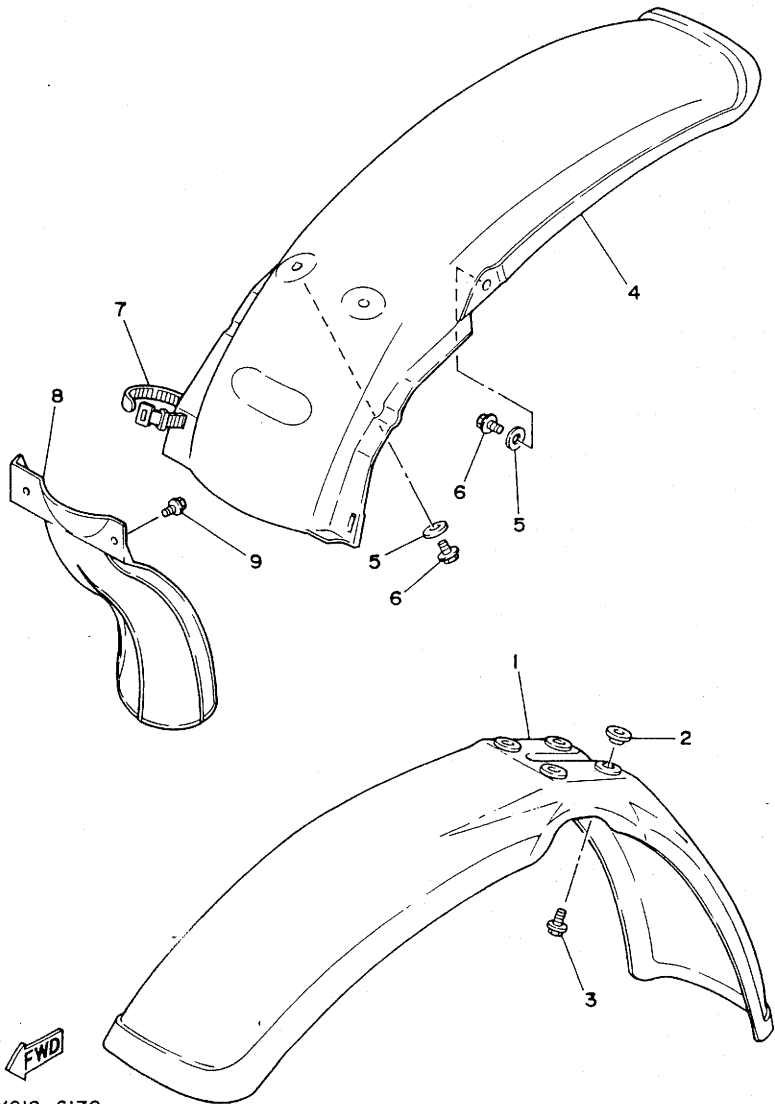
1LU010-6180

FIG. 18 SIDE COVER

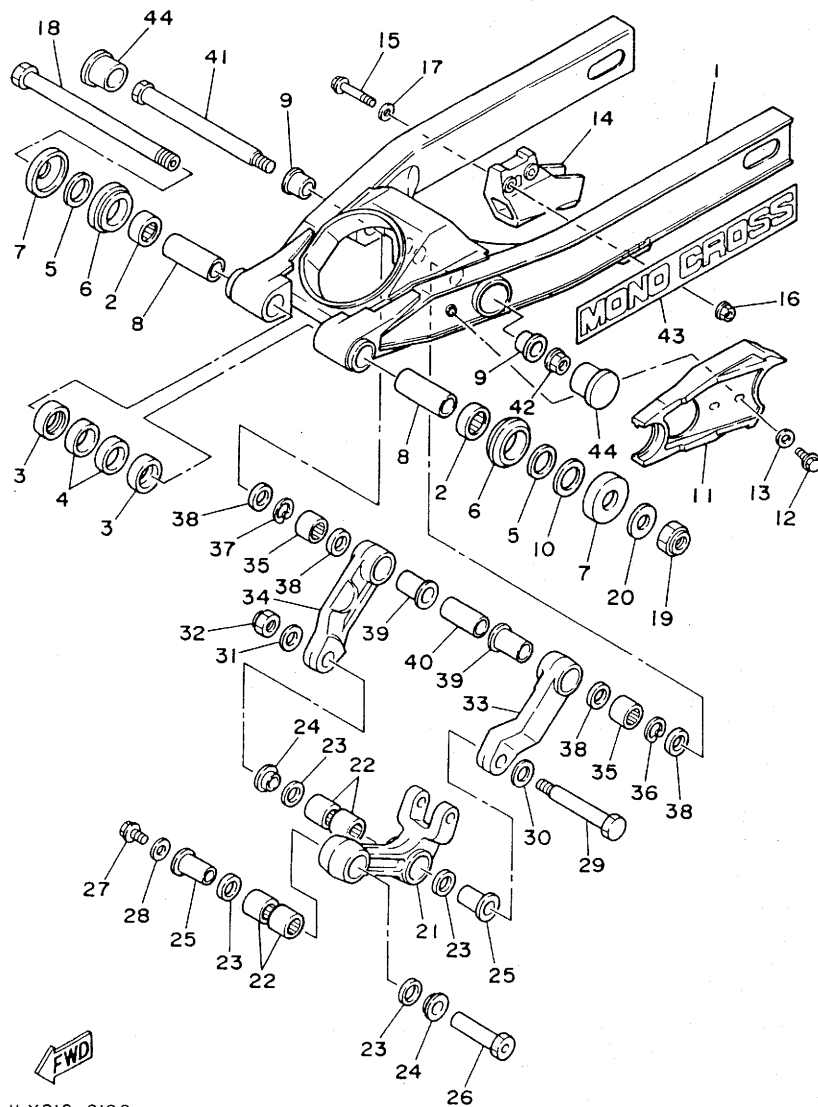
REF. NO.	PART NO.	DESCRIPTION	Q'TY	REMARKS
1	1LX-21711-01-98	COVER, side 1	1	low gloss black/white
2	1LX-14452-00	SEAL	1	
3	39X-14452-00	SEAL	1	
4	92506-06016	SCREW, pan head	3	
5	92906-06600	WASHER, plate	3	
6	90201-06571	WASHER, plate	1	
7	92501-06014	SCREW, pan head	1	
8	92990-06100	WASHER, spring	1	
9	1LX-2173L-00	GRAPHIC SET 1	1	
10	1LX-21721-00	COVER, side 2	1	white
11	22W-24181-00	DAMPER, locating 1	2	
12	90201-06571	WASHER, plate	2	
13	92501-06014	SCREW, pan head	2	
14	92990-06100	WASHER, spring	2	
15	90201-063A5	WASHER, plate	1	
16	90109-06551	BOLT	1	
17	92901-08200	WASHER, plain	2	
18	1LX-2174L-00	GRAPHIC SET 2	1	
19	1LU-21731-00	COVER, side 3	1	chappy red
20	1LU-24254-00	GRAPHIC, fuel tank 7	1	
21	90159-06013	SCREW, with washer	2	
22	24Y-2172A-00	PANEL 1	1	
23	90159-05100	SCREW, with washer	2	
24	1LU-21741-00	COVER, side 4	1	chappy red
25	90159-06013	SCREW, with washer	2	
26	24Y-2172A-00	PANEL 1	1	
27	90159-05100	SCREW, with washer	2	
28	1LU-24254-00	GRAPHIC, fuel tank 7	1	

FIG. 17 FENDER

REF. NO.	PART NO.	DESCRIPTION	Q'TY	REMARKS
1	5X6-21511-10	FENDER, front	1	white
2	90387-06681	COLLAR	4	
3	90119-06063	BOLT, with washer	4	
4	1LX-21611-00	FENDER, rear	1	white
5	90201-06571	WASHER, plate	4	
6	90105-06138	BOLT, washer based	4	
7	437-83936-00	BAND, switch cord	2	
8	39X-21642-00	GUARD, flap	1	
9	90119-06042	BOLT, with washer	2	



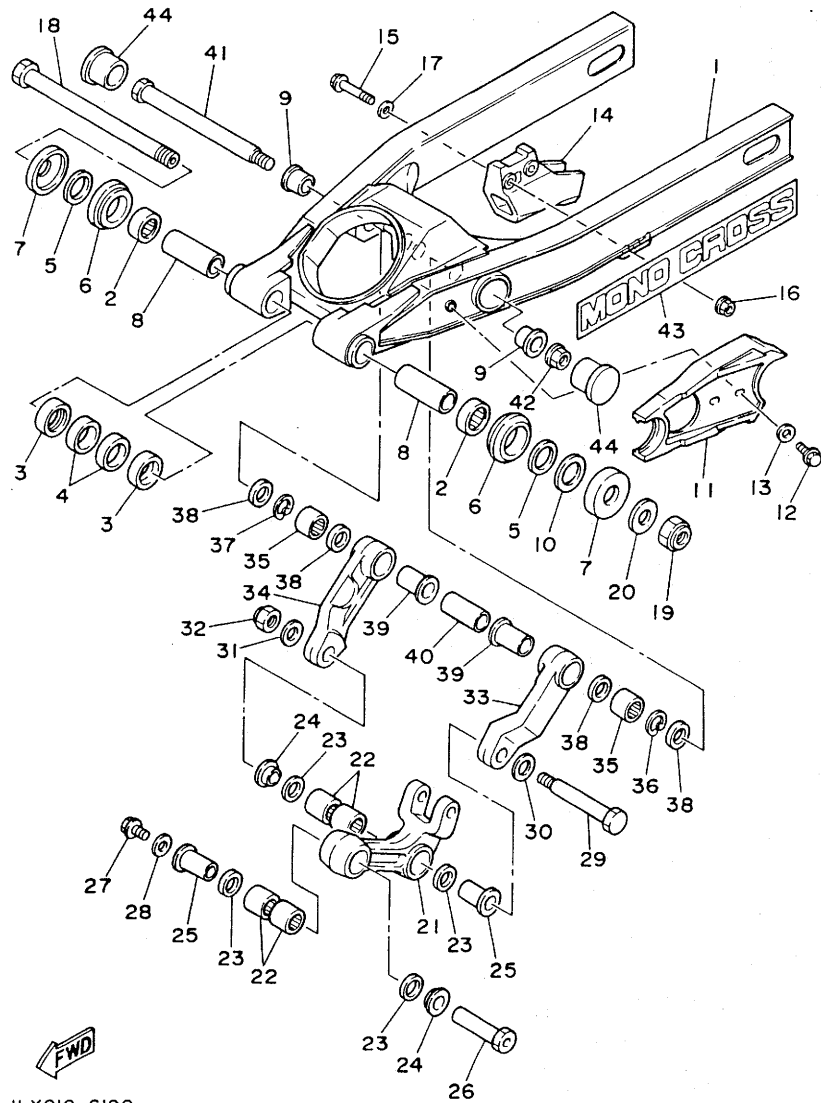
ILX010-6170



ILX010-6190

FIG. 19 REAR ARM

REF. NO.	PART NO.	DESCRIPTION	Q'TY	REMARKS
1	1LV-22110-00	REAR ARM COMP.	1	
2	93317-32231	BEARING, cylindrical	1	
3	90380-22111	BUSH, solid	2	
4	93106-22019	OIL SEAL	2	
5	93342-22208	BEARING	2	
6	93108-35004	OIL SEAL	2	
7	3R4-22129-00	COVER, thrust 2	2	
8	90380-16158	BUSH, solid	2	
9	90381-16060	BUSH, solid	1	
10	156-22127-00	SHIM (0.3T)	1	UN
11	1LX-22151-00	SEAL, guard	1	
12	95801-06020	BOLT, flange	2	
13	90201-06067	WASHER, plate	2	
14	39W-22199-00	SUPPORT, chain	1	
15	95802-08045	BOLT, flange	2	
16	90185-08106	NUT, self-locking	2	
17	92901-08200	WASHER, plain	2	
18	1LX-22141-00	SHAFT, pivot	1	
19	90185-16127	NUT, self-locking	1	
20	90201-164H4	WASHER, plate	1	
21	1LX-2217A-00	ARM, relay	1	
22	93315-32044	BEARING (YT2015)	4	iko
23	93109-20029	OIL SEAL	4	
24	90387-164N2	COLLAR	2	
25	90387-164N3	COLLAR	2	
26	90402-10005	NUT, union	1	
27	95811-10016	BOLT, flange	1	
28	90201-106F2	WASHER, plate	1	

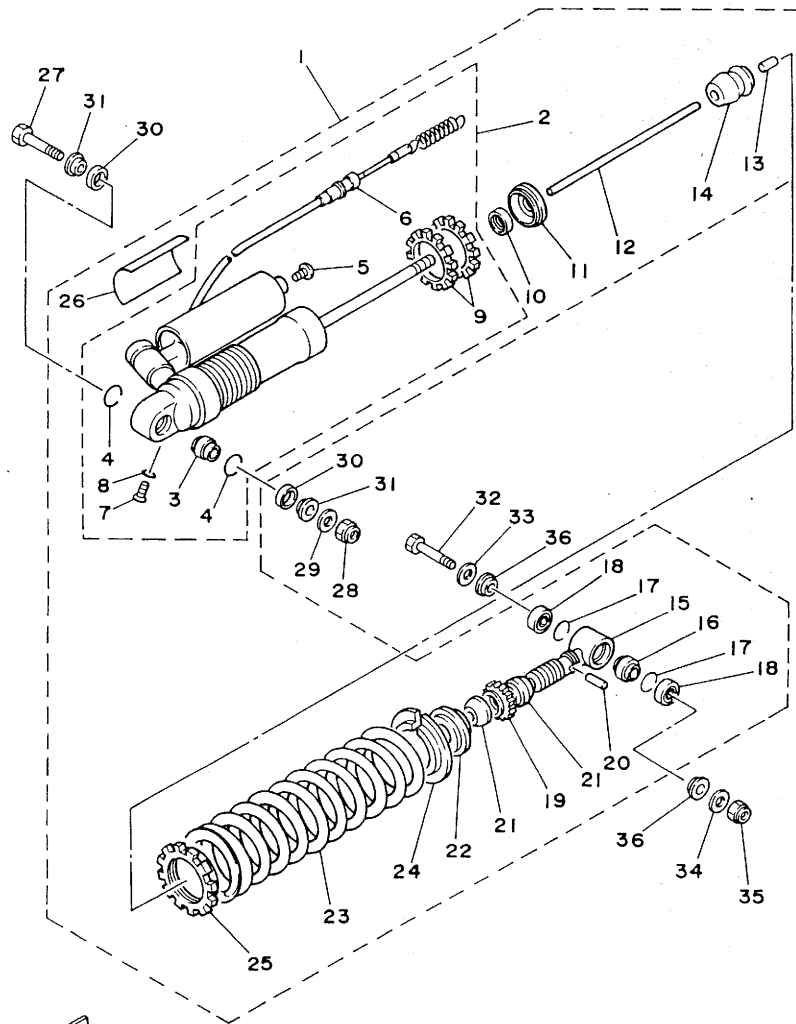


ILX010-6190

FIG. 19 REAR ARM

REF. NO.	PART NO.	DESCRIPTION	Q'TY	REMARKS
29	90101-14648	BOLT	1	
30	90201-164H4	WASHER, plate	1	
31	90201-140H8	WASHER, plate	1	
32	90185-14112	NUT, self-locking	1	
33	1LX-2217F-00	ROD, connecting 1	1	
34	1LX-2217G-00	ROD, connecting 2	1	
35	93315-22045	BEARING (YT202720E01)	2	iko
36	93450-28063	CIRCLIP	1	
37	93450-28063	CIRCLIP	1	
38	93109-20029	OIL SEAL	4	
39	90387-164N3	COLLAR	2	
40	90387-164N1	COLLAR	1	
41	90123-14104	BOLT	1	
42	90185-14096	NUT, self-locking	1	
43	5X3-2218A-00	EMBLEM, rear arm	2	
44	1HX-2135F-00	COVER	2	

FIG. 20 REAR SUSPENSION SEAL KIT INT. 56A-W222A-02



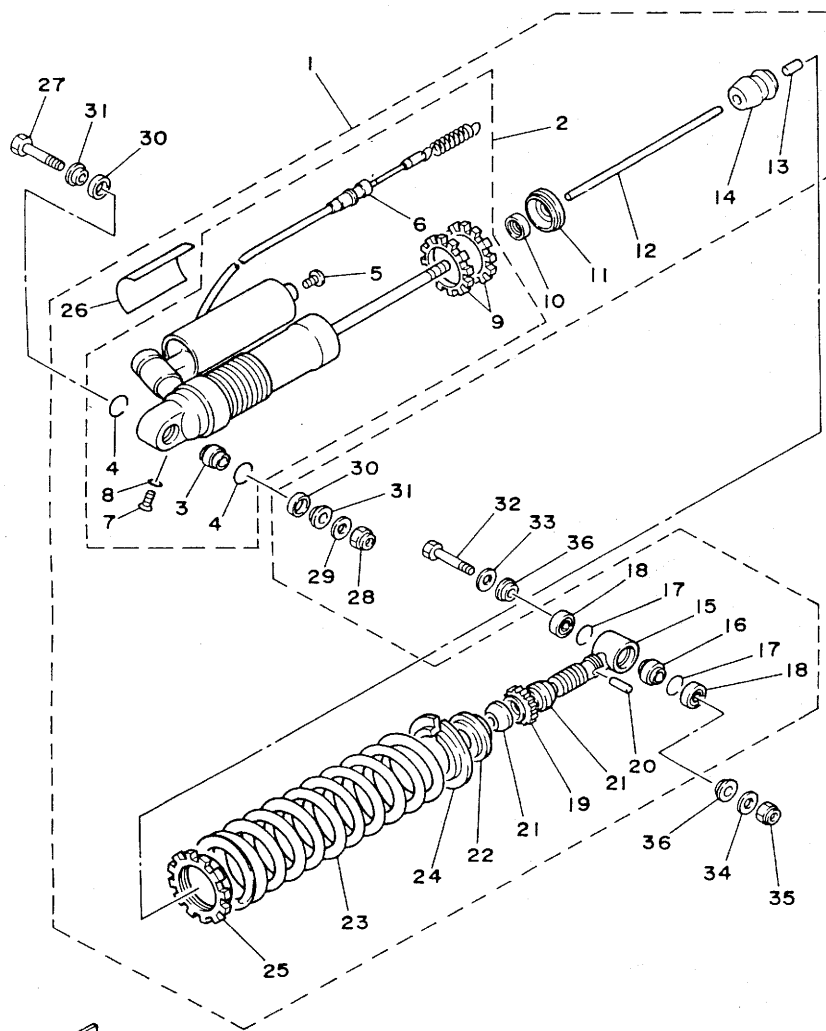
REF. NO.	PART NO.	DESCRIPTION	Q'TY	REMARKS
1	1LU-22210-00-6W	SHOCK ABSORBER ASSY, rear	1	native red
2	1LU-22401-00	.DAMPER SUB ASSY	1	
3	93399-99916	..BEARING	1	
4	93440-30113	..CIRCLIP	2	
5	98501-04006	..SCREW, pan head	1	
6	1LV-22463-00	..CABLE, control l	1	
7	92701-06012	..SCREW, flat head	1	
8	93210-06632	..O-RING	1	
9	1LX-22225-00	..RING, hold	2	
10	23X-22475-00	..SEAL, dust	1	
11	26A-22472-00	..CAP, case	1	
12	1LX-22489-00	..ROD, push	1	
13	93604-21193	..PIN, dowel	1	
14	1LX-22493-00	..BUMP, stop	1	
15	1LX-22409-00	..UPPER BRACKET SUB ASSY	1	
16	93399-99916	..BEARING	1	
17	93440-30113	..CIRCLIP	2	
18	93104-18077	..OIL SEAL	2	
19	5X3-22497-00	..NUT, adjusting	1	
20	93604-26132	..PIN, dowel	1	
21	3R4-22221-01	..COVER	2	
22	1LX-22213-00	..SEAT, spring upper	1	
23	1LV-22212-00-6W	..SPRING (k=5.5)	1	native red (black/blue)
24	5X6-22214-00	..GUIDE, spring l	2	
25	1LX-22223-00	..SEAT, spring lower	1	
26	1LV-22499-00	..LABEL, caution	1	
27	90109-10704	BOLT	1	
28	90185-10120	NUT, self-locking	1	



ILX010-6200

C13

FIG. 20 REAR SUSPENSION



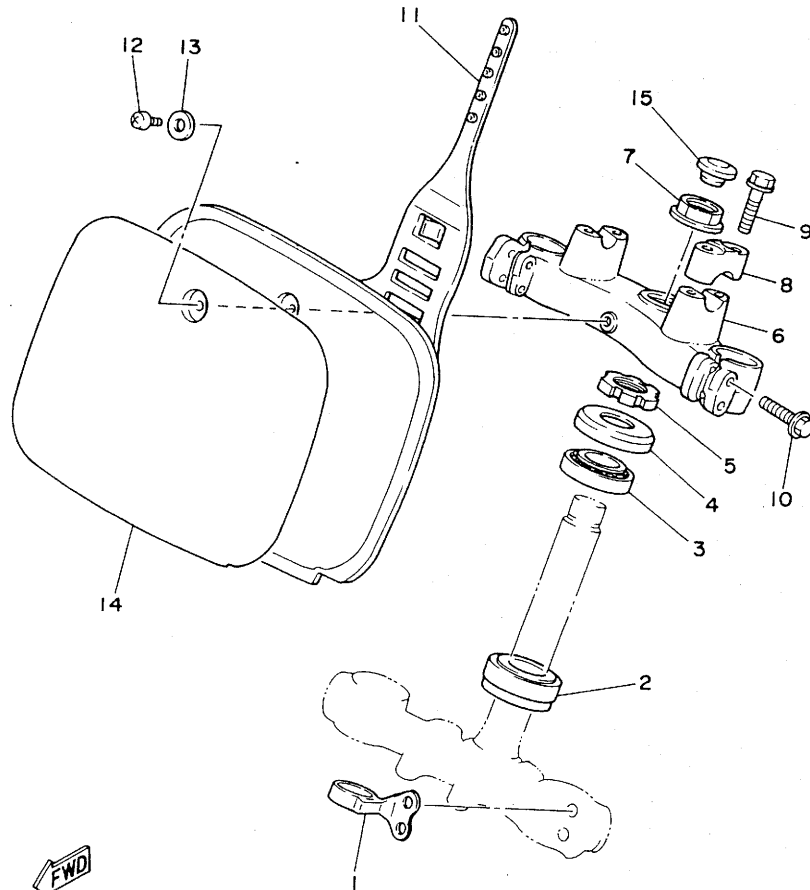
REF. NO.	PART NO.	DESCRIPTION	Q'TY	REMARKS
29	90201-100F7	WASHER, plate	1	
30	23X-22211-00	COVER	2	
31	90387-127G8	COLLAR	2	
32	90109-10700	BOLT	1	
33	90201-120E6	WASHER, plate	1	
34	90201-100E9	WASHER, plate	1	
35	90185-10120	NUT, self-locking	1	
36	90387-126H8	COLLAR	2	



ILX010-6200

C14

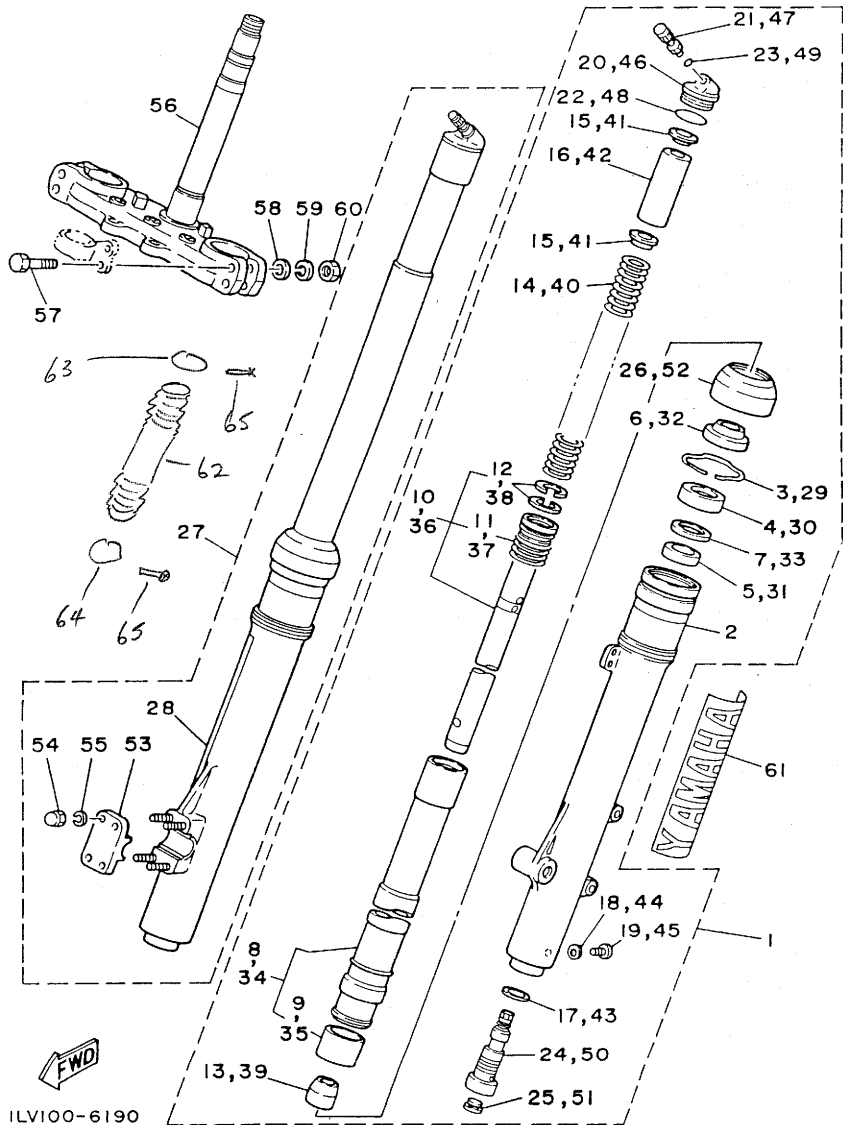
FIG. 21 STEERING



REF. NO.	PART NO.	DESCRIPTION	Q'TY	REMARKS
1	3R4-23389-00	GUIDE, cable	1	
2	93332-00008	BEARING	1	
3	93332-00023	BEARING	1	
4	1W1-23416-00	COVER, ball race 2	1	
5	90179-25033	NUT	1	
6	39W-23435-01-98	CROWN, handle	1	low gloss black
7	90179-22330	NUT	1	
8	1E6-23441-00	HOLDER, handle upper	2	
9	95821-08035	BOLT, flange	4	
10	95821-08040	BOLT, flange	4	
11	5X6-23485-11	PLATE, number	1	clean white
12	92501-06012	SCREW, pan head	1	
13	90201-06571	WASHER, plate	1	
14	1LX-23395-00	EMBLEM	1	
15	34K-2319U-00	CAP	1	


ILX010-6210

C15



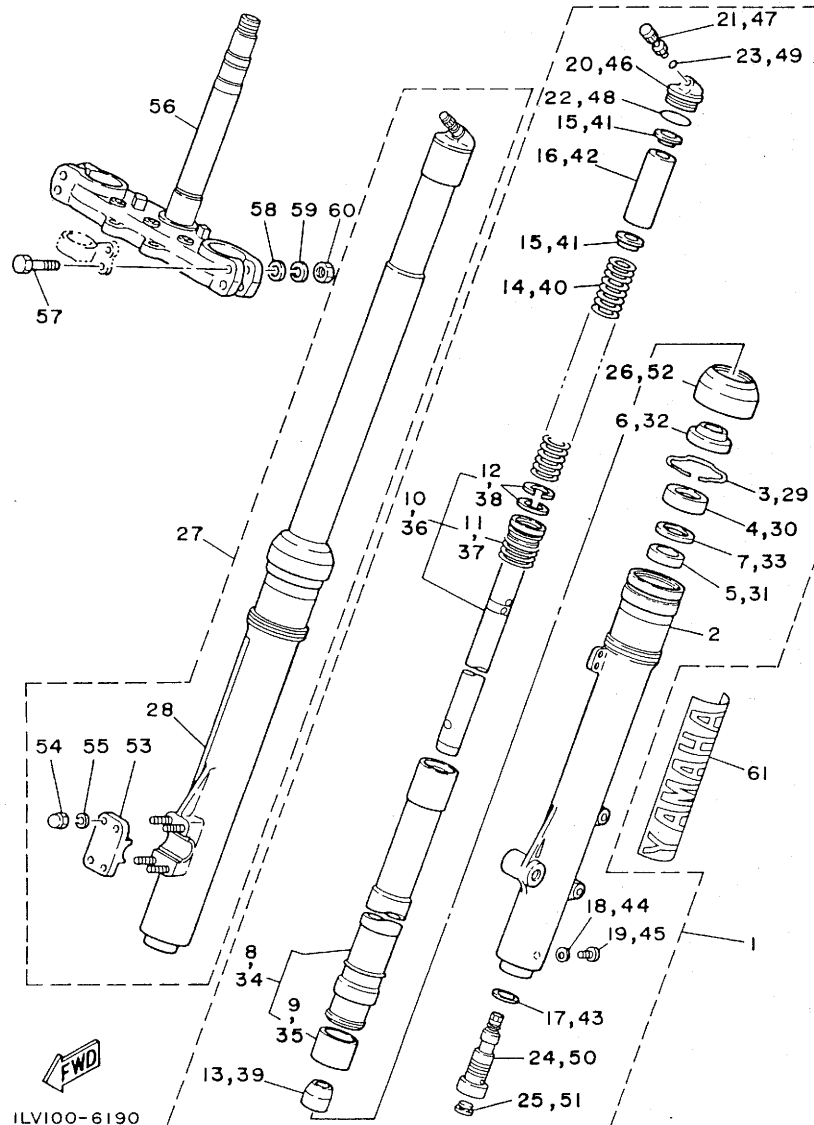
ILV100-6190

FIG. 22 FRONT FORK

REF. NO.	PART NO.	DESCRIPTION	Q'TY	REMARKS
1	1LU-23102-L0	FRONT FORK ASSY (L.H)	1	
2	1LX-23126-L0	.TUBE, outer 1	1	
3	4V4-23153-L0	.RING, snap	1	
4	23X-23145-L0	.OIL SEAL	1	
5	4V4-23125-L0	.METAL, slide 1	1	
6	23X-23144-L0	.SEAL, dust	1	
7	4V4-23146-L0	.WASHER, oil seal	1	
8	1LX-23110-L0	.INNER TUBE COMP.1	1	
9	4V4-23171-L0	..PISTON, front fork	1	
10	1LU-23170-L0	.CYLINDER COMP., front fork	1	
11	55Y-23152-M0	..SPRING, sub	1	
12	4V4-23157-L0	..RING, piston	2	
13	23X-23173-L0	.SPINDLE, taper	1	
14	57H-23141-20	.SPRING, front fork (K=0.345)	1	
15	4V4-23142-L0	.SEAT, spring upper	2	
16	5X6-23118-10	.SPACER (L=80)	1	
17	23X-23158-L0	.GASKET	1	
18	122-23129-00	.GASKET, drain plug	1	
19	122-23119-01	.PLUG, drain	1	
20	43M-23111-L0	.BOLT, cap	1	
21	23X-23190-L0	.AIR VALVE COMP.	1	
22	4V4-23188-L0	.O-RING	1	
23	3J2-23147-00	.O-RING	1	
24	23X-23190-L0	.AIR VALVE COMP.	1	
25	55Y-2312G-M0	.PLUG	1	
26	1LX-23144-L0	.SEAL, dust <i>DISCONT. USING REF 61, 62, 63 + 64 + 65</i>	1	
27	1LU-23103-L0	FRONT FORK ASSY (R.H)	1	
28	1LX-23136-L0	.TUBE, outer 2	1	

D2

FIG. 22 FRONT FORK

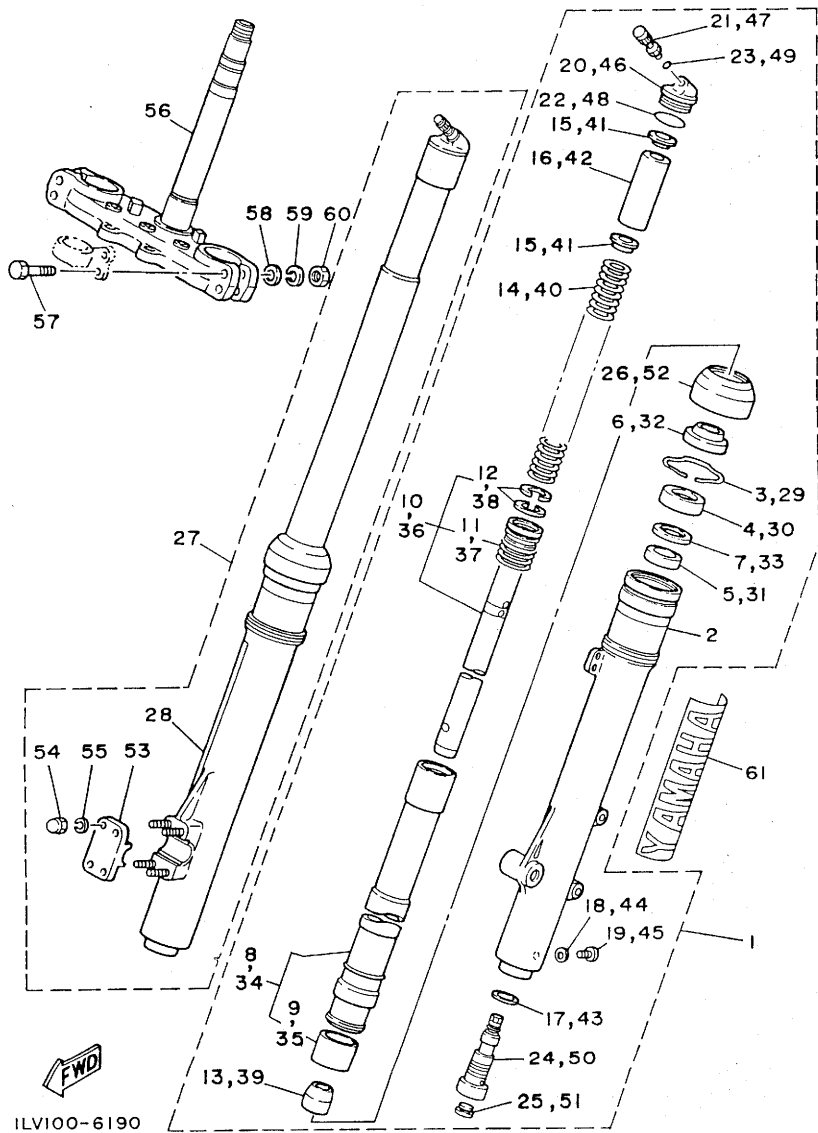


ILV100-6190

REF. NO.	PART NO.	DESCRIPTION	Q'TY	REMARKS
29	4V4-23153-L0	.RING, snap	1	
30	23X-23145-L0	.OIL SEAL	1	
31	4V4-23125-L0	.METAL, slide 1	1	
32	23X-23144-L0	.SEAL, dust	1	
33	4V4-23146-L0	.WASHER, oil seal	1	
34	1LX-23110-L0	.INNER TUBE COMP.1	1	
35	4V4-23171-L0	..PISTON, front fork	1	
36	1LU-23170-L0	.CYLINDER COMP., front fork	1	
37	55Y-23152-M0	..SPRING, sub	1	
38	4V4-23157-L0	..RING, piston	2	
39	23X-23173-L0	.SPINDLE, taper	1	
40	57H-23141-20	.SPRING, front fork (k=0.345)	1	
41	4V4-23142-L0	.SEAT, spring upper	2	
42	5X6-23118-10	.SPACER (L=80)	1	
43	23X-23158-L0	.GASKET	1	
44	122-23129-00	.GASKET, drain plug	1	
45	122-23119-01	.PLUG, drain	1	
46	43M-23111-L0	.BOLT, cap	1	
47	23X-23190-L0	.AIR VALVE COMP.	1	
48	4V4-23188-L0	.O-RING	1	
49	3J2-23147-00	.O-RING	1	
50	23X-23190-L0	.AIR VALVE COMP.	1	
51	55Y-23126-M0	.PLUG	1	
52	1LX-23144-L0	.SEAL, dust	1	DISCONT. USE REF 61, 62, 63, 64 + 65
53	43M-23167-L0	.HOLDER, axle	4	
54	5Y3-23393-00	.NUT, special	1	
55	92990-06100	.WASHER, spring	4	
56	1LX-23340-L0	UNDER BRACKET COMP.	1	

D3

FIG. 22 FRONT FORK

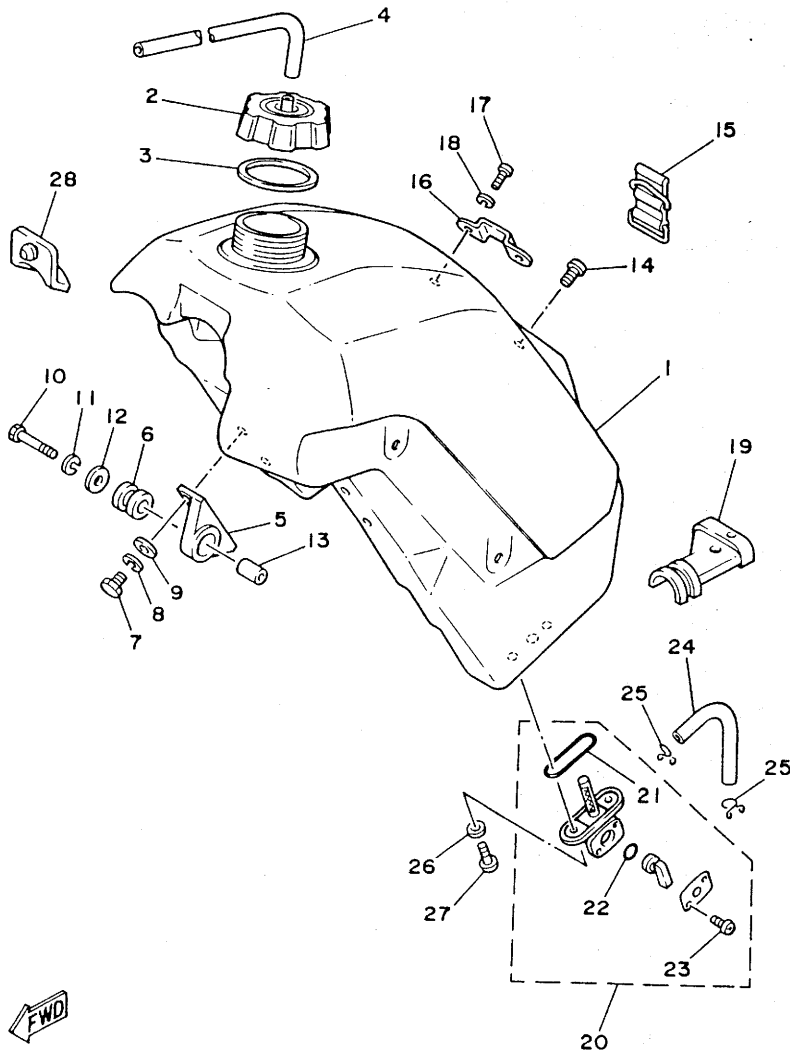


REF. NO.	PART NO.	DESCRIPTION	Q'TY	REMARKS
57	90109-08397	BOLT	4	
58	90201-08544	WASHER, plate	4	
59	92990-08100	WASHER, spring	4	
60	95311-08600	NUT	4	
61	1LX-23108-00	EMBLEM	2	
62	43M-23191-LO	ROOT	2	
63	43M-23192-LO	BAND	1	
64	43M-23489-LO	BAND	1	
65	98506-04018	SCREW	2	

ILVI00-6190

D4

FIG. 23 FUEL TANK

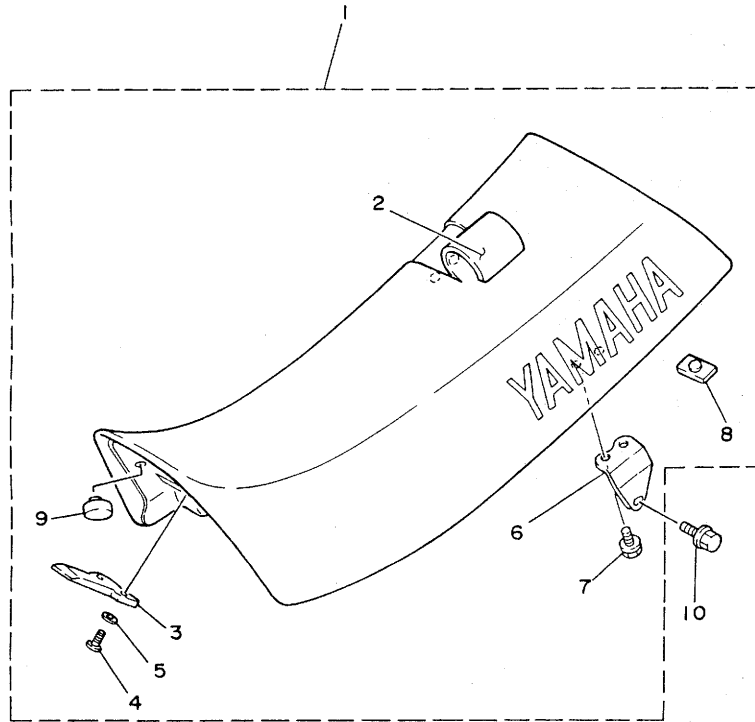


REF. NO.	PART NO.	DESCRIPTION	Q'TY	REMARKS
1	1LU-24110-00	FUEL TANK COMP.	1	white
2	5X7-24611-01	BODY, cap	1	
3	5X7-24612-00	GASKET, cap	1	
4	90445-09100	HOSE	1	
5	24X-24144-00	HOLDER, damper	2	
6	90480-18354	GROMMET	2	
7	97301-06016	BOLT	4	
8	92990-06100	WASHER, spring	4	
9	92901-06600	WASHER, plate	4	
10	97321-06035	BOLT	2	
11	92990-06100	WASHER, spring	2	
12	90201-06070	WASHER, plate	2	
13	90387-06387	COLLAR	2	
14	98903-06018	SCREW, bind	1	
15	59V-24173-00	BAND, tank fitting 1	1	
16	5X6-2412F-00	BRACKET, seat	1	
17	92501-06012	SCREW, pan head	2	
18	92990-06100	WASHER, spring	2	
19	1LX-24181-00	DAMPER, locating 1	1	
20	1LU-24500-00	FUEL COCK ASSY 1	1	
21	4X8-24512-00	.GASKET	1	
22	4X8-24534-00	.SEAL, cock	1	
23	97801-03008	.SCREW, pan head	2	
24	90445-11587	HOSE	1	
25	90467-10008	CLIP	2	
26	90202-06010	WASHER, plate	2	
27	90149-06011	SCREW	2	
28	23X-24184-00	DAMPER, locating 4	1	

FWD
1LU010-6230

D5

FIG. 24 SEAT



REF. NO.	PART NO.	DESCRIPTION	Q'TY	REMARKS
1	1LX-24770-10	SEMI-DOUBLE SEAT ASSY	1	chappy red
2	1LX-24731-10	.COVER, seat	1	chappy red
3	5X6-24748-10	.BRACKET, seat	1	
4	92501-06012	.SCREW, pan head	2	
5	92901-06600	.WASHER, plate	2	
6	1LX-24738-01	.BRACKET, seat	2	
7	95801-06012	.BOLT, flange	4	
8	509-24724-00	.DAMPER, seat	1	
9	107-24741-00	.PAD, seat	2	
10	95021-08016	BOLT, flange	2	

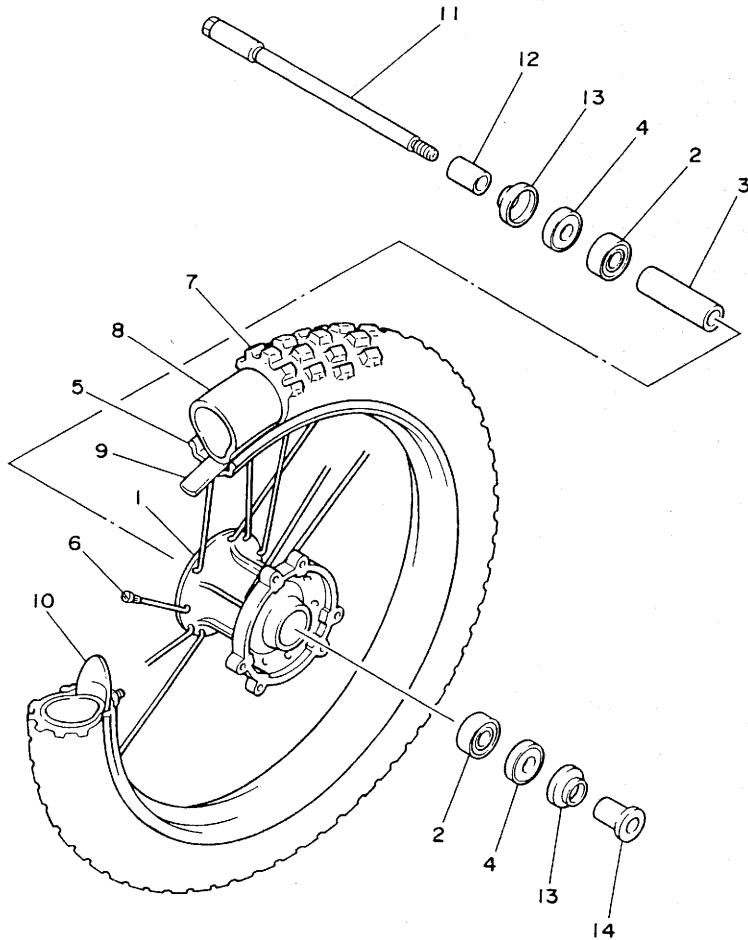


ILX010-6240

D6

FIG. 25 FRONT WHEEL

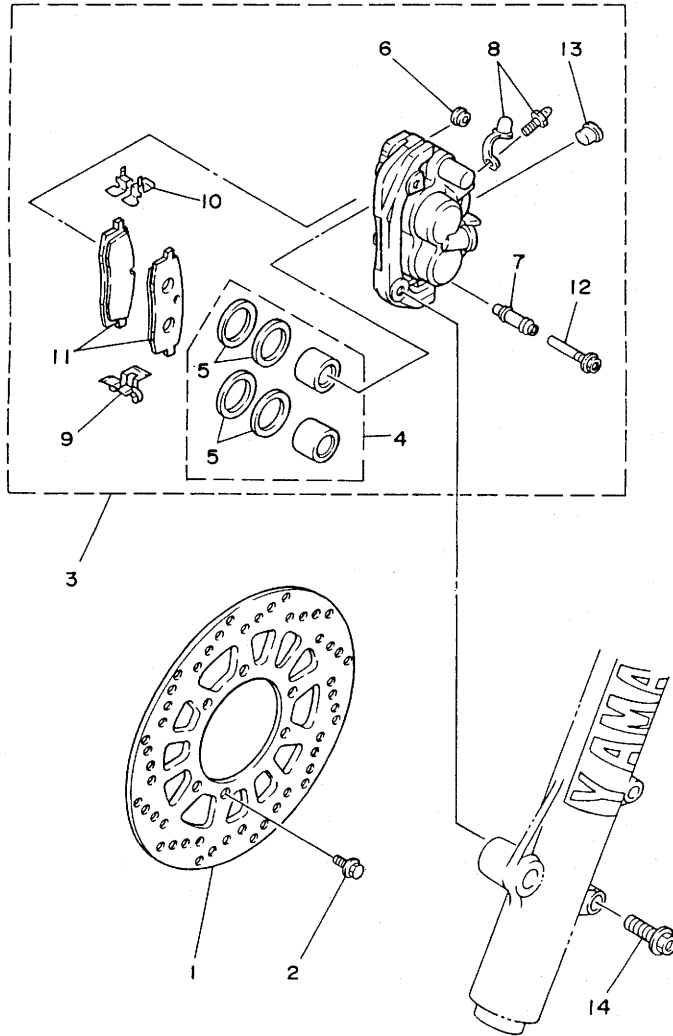
REF. NO.	PART NO.	DESCRIPTION	Q'TY	REMARKS
1	1LX-25111-00-98	HUB, front	1	low gloss black
2	93306-20209	BEARING (B6202)	2	
3	136-25117-00	SPACER, bearing	1	
4	93102-20281	OIL SEAL	2	
5	94416-21435	RIM (1.60-21)	1	gold
6	1LX-25104-00	SPOKE SET, front	1	
7	94108-213J9	TIRE (80/100-21 51M K990)	1	dunlop
8	94227-21123	TUBE (2.75-21)	1	bridgestone
9	94307-21145	BAND, rim (70-80/100-21)	1	dunlop
10	2J5-25394-01	SPACER, bead	1	
11	55U-25181-00	AXLE, wheel	1	
12	90387-15600	COLLAR	1	
13	322-25118-00	COVER, hub dust	2	
14	90387-154N4	COLLAR	1	



ILX010-6250

D7

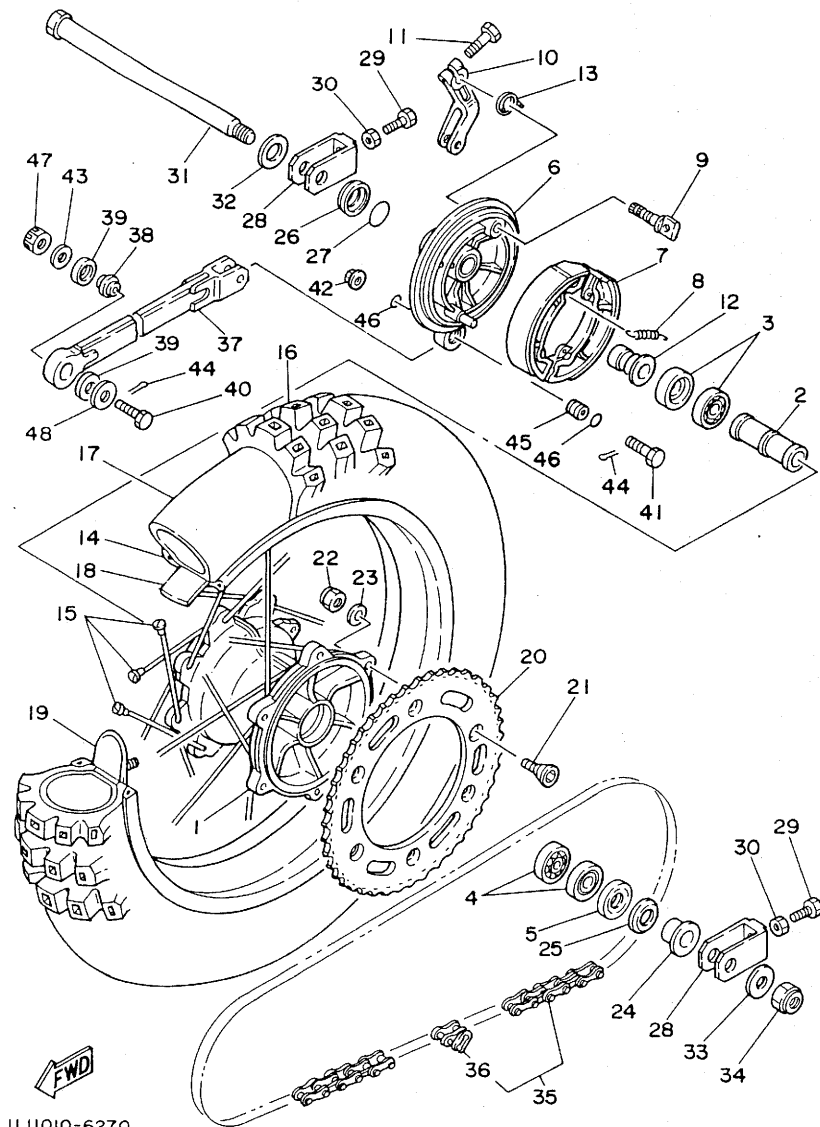
FIG. 26 FRONT BRAKE CALIPER



REF. NO.	PART NO.	DESCRIPTION	Q'TY	REMARKS
1	1LX-25831-00	DISC, brake (LEFT)	1	
2	90109-06757	BOLT	6	
3	1LX-25810-00	CALIPER ASSY (LEFT)	1	
4	56A-W0057-00	.PISTON ASSY, caliper	1	
5	56A-W0047-00	..CALIPER SEAL KIT	1	
6	5R2-25917-00	.BOOT, caliper	1	
7	56A-25937-00	.BOOT 2	1	
8	51L-W0048-00	.BREED SCREW KIT	1	
9	56A-25919-00	.SUPPORT, pad	1	
10	56A-25919-10	.SUPPORT, pad	1	
11	1LX-W0045-00	.BRAKE PAD KIT, front	1	
12	56A-25926-00	.BOLT	1	
13	34X-25845-00	.CAP, indicator	1	
14	95811-08045	BOLT, flange	2	

FWD
1LX010-6260

D8



ILU010-6270

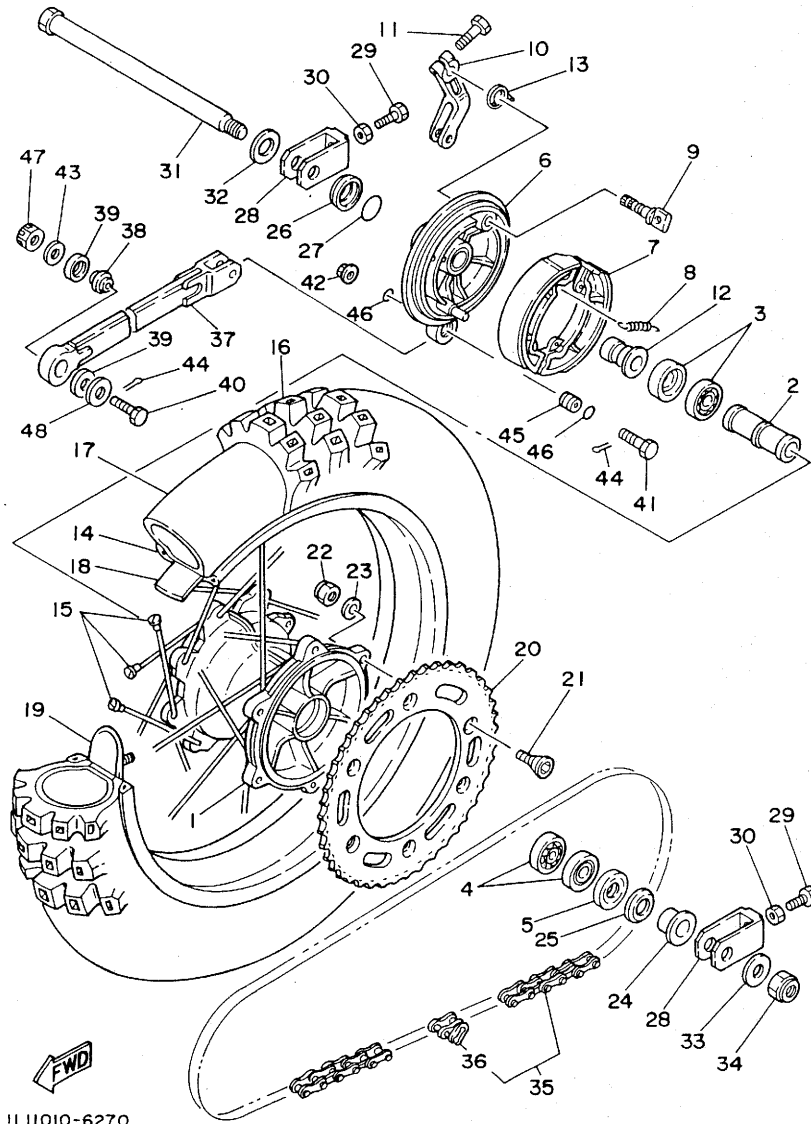
FIG. 27 REAR WHEEL

REF. NO.	PART NO.	DESCRIPTION	Q'TY	REMARKS
1	56A-25311-00-98	HUB, rear	1	low gloss black
2	90560-20226	SPACER	1	
3	93306-00418	BEARING	2	
4	93306-00406	BEARING (B6004Z)	2	
5	93106-28023	OIL SEAL	1	
6	23X-25321-00-98	PLATE, brake shoe	1	low gloss black
7	23X-25330-00	BRAKE SHOE COMP.	2	
8	90506-17328	SPRING, tension	2	
9	39X-25351-00	CAMSHAFT	1	
10	5X4-25355-00	LEVER, camshaft	1	
11	90101-06291	BOLT	1	
12	90387-200H1	COLLAR	1	
13	90508-29596	SPRING, torsion	1	
14	94421-18414	RIM (2.15-18)	1	gold
15	56A-25304-00	SPOKE SET, rear	1	
16	94111-184J0	TIRE (110/100-18 64M K990)	1	dunlop
17	94212-18188	TUBE (120/90-18)	1	dunlop
18	94309-18146	BAND, rim	1	dunlop
19	39X-25394-00	SPACER, bead	2	
20	39W-25450-00	SPROCKET, driven (50T)	1	STD
	39W-25444-00	SPROCKET, driven (44T)	1	UR AP
	39W-25445-00	SPROCKET, driven (45T)	1	UR AP
	39W-25446-00	SPROCKET, driven (46T)	1	UR AP
	39W-25448-00	SPROCKET, driven (48T)	1	UR AP
	39W-25452-00	SPROCKET, driven (52T)	1	UR AP
21	90109-08706	BOLT	6	
22	95611-08100	NUT, u	6	
23	90201-081A6	WASHER, plate	6	

D9

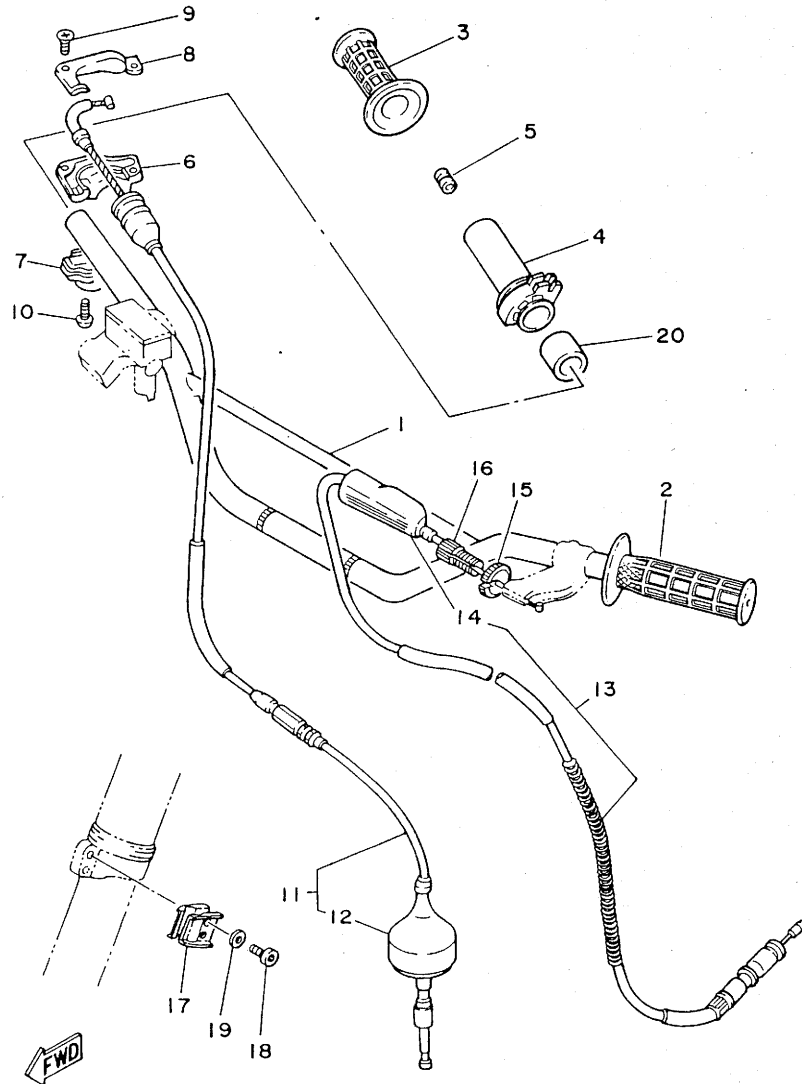
FIG. 27 REAR WHEEL

REF. NO.	PART NO.	DESCRIPTION	Q'TY	REMARKS
24	90387-200H2	COLLAR	1	
25	4V4-25367-00	COVER, hub dust	1	
26	23X-25327-00	COVER, plate	1	
27	93210-31114	O-RING	1	
28	56A-25388-01	PULLER, chain 1	2	
29	90101-08475	BOLT	2	
30	95301-08700	NUT	2	
31	23X-25381-00	AXLE, wheel	1	
32	90209-21243	WASHER	1	
33	90209-18244	WASHER	1	
34	90185-18104	NUT, self-locking	1	
35	94585-20114	CHAIN, drive (DID520DS 114L)	1	
36	94685-20001	.JOINT, chain (D.I.D 520DS)	1	
37	23X-25371-00	BAR, tension	1	
38	93399-99910	BEARING	1	
39	93112-19006	OIL SEAL	2	
40	90102-08062	BOLT, with hole	1	
41	90109-08370	BOLT	1	
42	90185-08113	NUT, self-locking	1	
43	92901-08600	WASHER, plate	1	
44	91401-20015	PIN, cotter	2	
45	90387-083F0	COLLAR	1	
46	93210-14167	O-RING	2	
47	95301-08900	NUT, slotted	1	
48	90201-08107	WASHER	1	



ILU010-6270

FIG. 28 STEERING HANDLE. CABLE



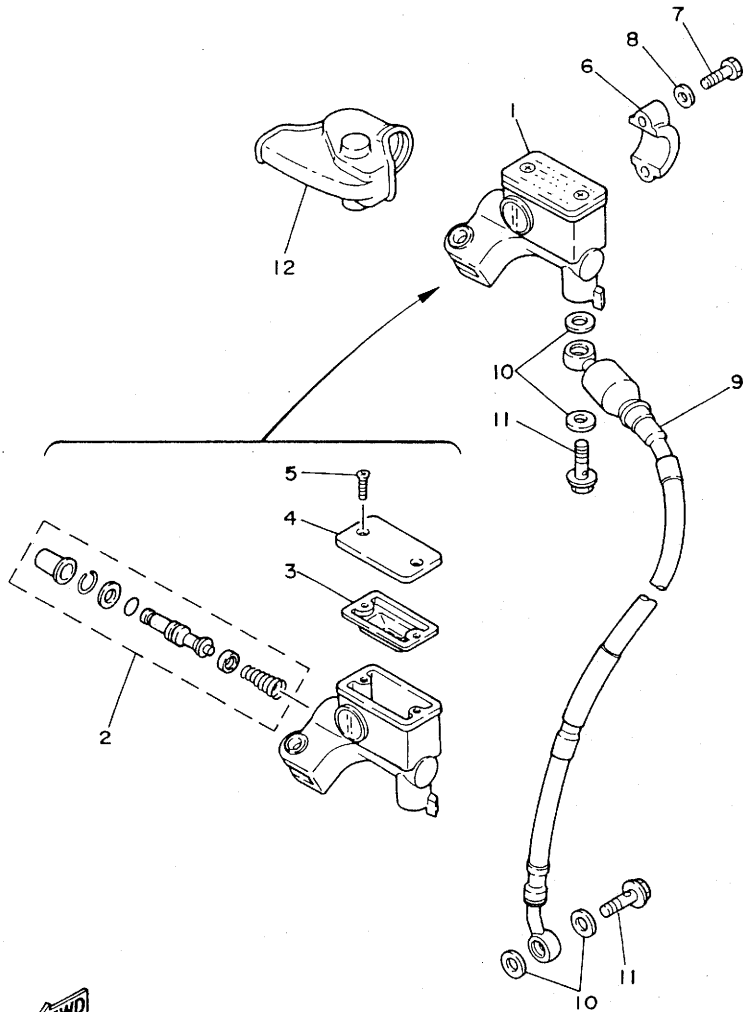
REF. NO.	PART NO.	DESCRIPTION	Q'TY	REMARKS
1	23X-26111-00	HANDLEBAR	1	
2	1LX-26241-00	GRIP (L.H)	1	
3	1LX-26242-00	GRIP (R.H)	1	
4	23X-26243-00	TUBE, throttle guide	1	
5	688-82535-00	GROMMET	1	
6	23X-26281-00	CAP, grip upper	1	
7	431-26282-01-98	CAP, grip lower	1	low gloss black
8	5X2-2628H-01	CAP, wire	1	
9	98706-04012	SCREW, flat head	2	
10	98506-05016	SCREW, pan head	2	
11	23X-26311-00	CABLE, throttle 1	1	
12	510-26329-00	.CAP, rubber	1	
13	40T-26335-00	CABLE, clutch	1	
14	382-26372-01	.COVER, handle lever 1	1	
15	90179-08401	NUT	1	
16	90123-08090	BOLT	1	
17	90465-16258	CLAMP	2	
18	91311-06016	BOLT	2	
19	92901-06600	WASHER, plate	2	
20	90560-22281	SPACER	1	

ILV100-6250

D11

FIG. 29 FRONT MASTER CYLINDER

REF. NO.	PART NO.	DESCRIPTION	Q'TY	REMARKS
1	56A-25870-00	MASTER CYLINDER SUB ASSY	1	
2	56A-W0041-00	.CYLINDER KIT, master	1	
3	56A-25854-00	.DIAPHRAGM, reservoir	1	
4	56A-25852-00	.CAP, reservoir	1	
5	98706-04012	.SCREW, flat head	2	
6	56A-25867-00	BRACKET, master cylinder	1	
7	97326-06025	BOLT	2	
8	92906-06600	WASHER, plate	2	
9	56A-25872-00	HOSE, brake 1	1	
10	90201-10118	WASHER, plate	4	
11	90401-10034	BOLT, union	2	
12	56A-26372-00	COVER, handle lever 1	1	



56A110-5290

D12

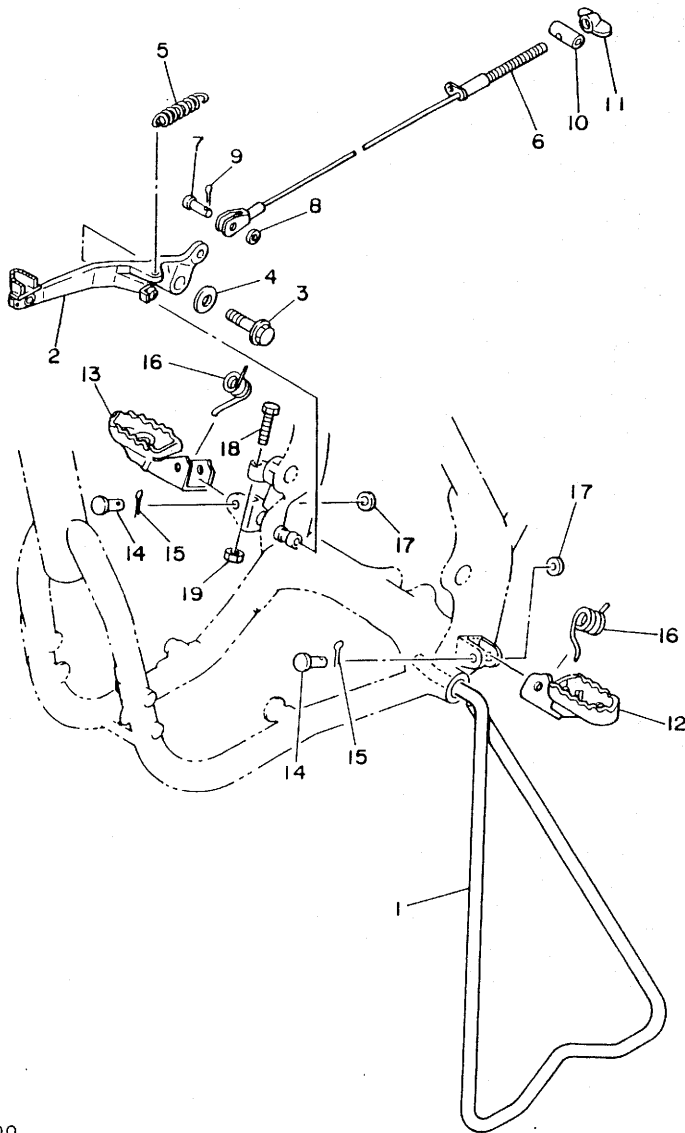


FIG. 30 STAND, FOOTREST

REF. NO.	PART NO.	DESCRIPTION	Q'TY	REMARKS
1	1LX-27311-00	STAND, side	1	
2	56A-27200-00	PEDAL, brake	1	
3	95021-08016	BOLT, flange	1	
4	90201-08730	WASHER, plate	1	
5	90506-16372	SPRING, tension	1	
6	39X-26351-00	CABLE, brake	1	
7	91790-08021	PIN, clevis	1	
8	90201-08544	WASHER, plate	1	
9	91401-25015	PIN, cotter	1	
10	90249-12008	PIN	1	
11	90175-06016	NUT, wing	1	
12	23X-27411-01	FOOTREST 1	1	
13	23X-27421-02	FOOTREST 2	1	
14	90240-10101	PIN, clevis	2	
15	91401-25015	PIN, cotter	2	
16	90508-20583	SPRING, torsion	2	
17	90201-10119	WASHER, plate	2	
18	97011-06020	BOLT	1	
19	95301-06700	NUT	1	

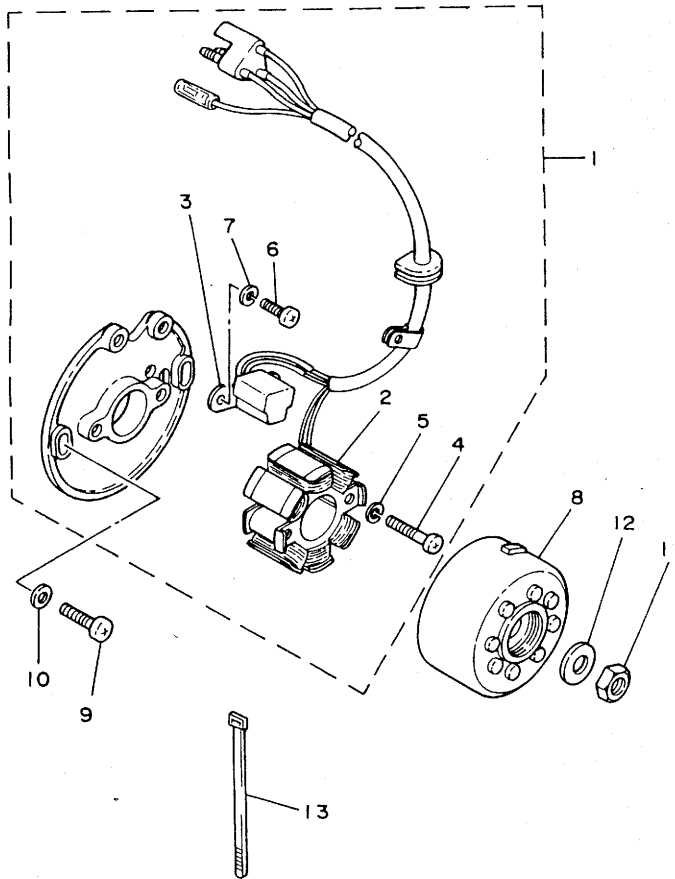


ILU010-6300

D13

FIG. 31 GENERATOR

REF. NO.	PART NO.	DESCRIPTION	Q'TY	REMARKS
1	56A-85510-K0	STATOR ASSY	1	
2	56A-85520-K0	.COIL, charge	1	
3	56A-85580-K0	.COIL, pulser	1	
4	92501-05030	.SCREW, pan head	2	
5	92901-05100	.WASHER, spring	2	
6	92503-05015	.SCREW, pan head	2	
7	92901-05100	.WASHER, spring	2	
8	56A-85550-K0	ROTOR ASSY	1	
9	92501-06020	SCREW, pan head	2	
10	92901-06600	WASHER, plate	2	
11	95311-10600	NUT	1	
12	90201-10591	WASHER, plate	1	
13	7F6-82591-00	BAND	1	

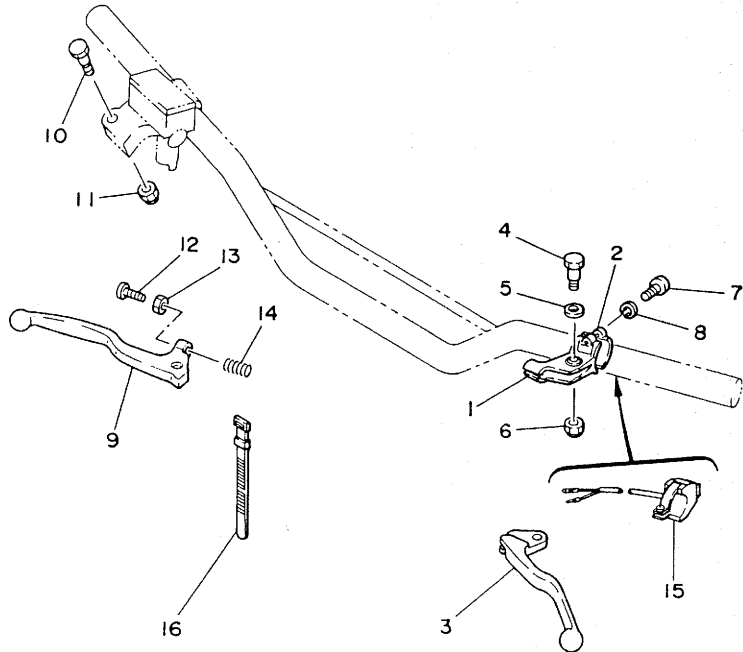


56A110-5310

D14

FIG. 32 HANDLE SWITCH. LEVER

REF. NO.	PART NO.	DESCRIPTION	Q'TY	REMARKS
1	38V-82911-00	HOLDER, lever 1	1	
2	38V-82913-00	HOLDER, lever lower 1	1	
3	23X-83912-00	LEVER 1	1	
4	90109-06797	BOLT	1	
5	90201-082A9	WASHER, plate	1	
6	95606-06100	NUT, u	1	
7	98506-05018	SCREW, pan head	2	
8	92906-05100	WASHER, spring	2	
9	55Y-83922-00	LEVER 2	1	
10	90109-06577	BOLT	1	
11	95606-06100	NUT, u	1	
12	90149-06153	SCREW	1	
13	90170-06010	NUT	1	
14	90501-10312	SPRING, compression	1	
15	23X-83976-00	SWITCH, handle 1	1	
16	437-83936-00	BAND, switch cord	2	



56A110-5320

D15

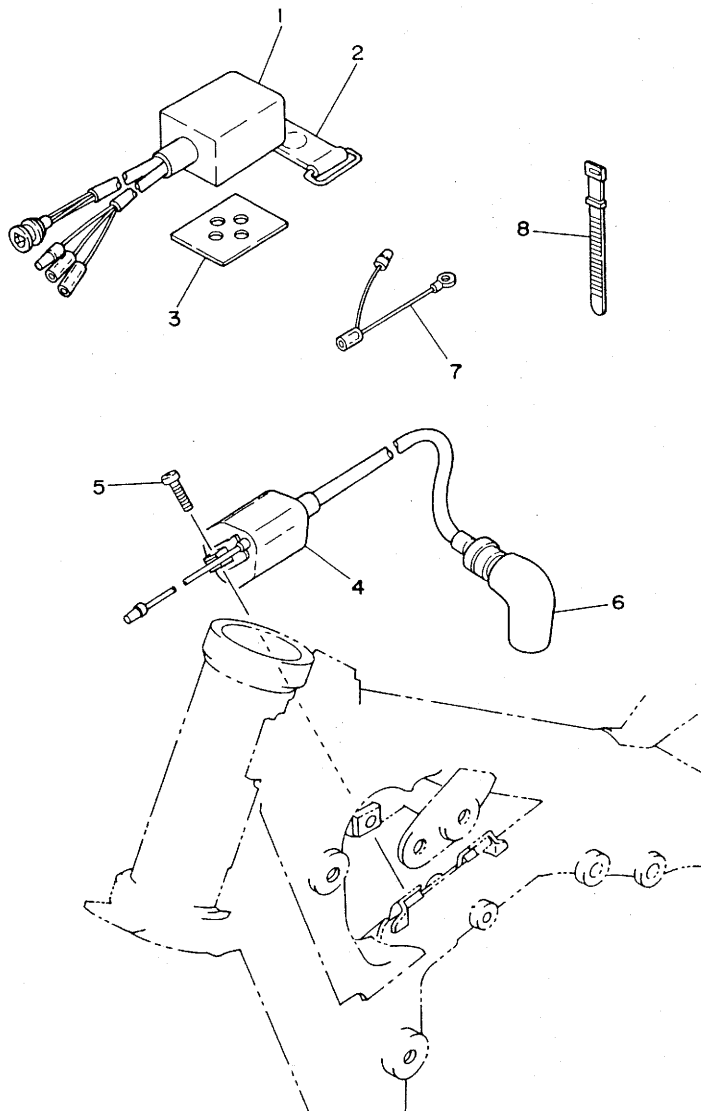


FIG. 33 ELECTRICAL 1

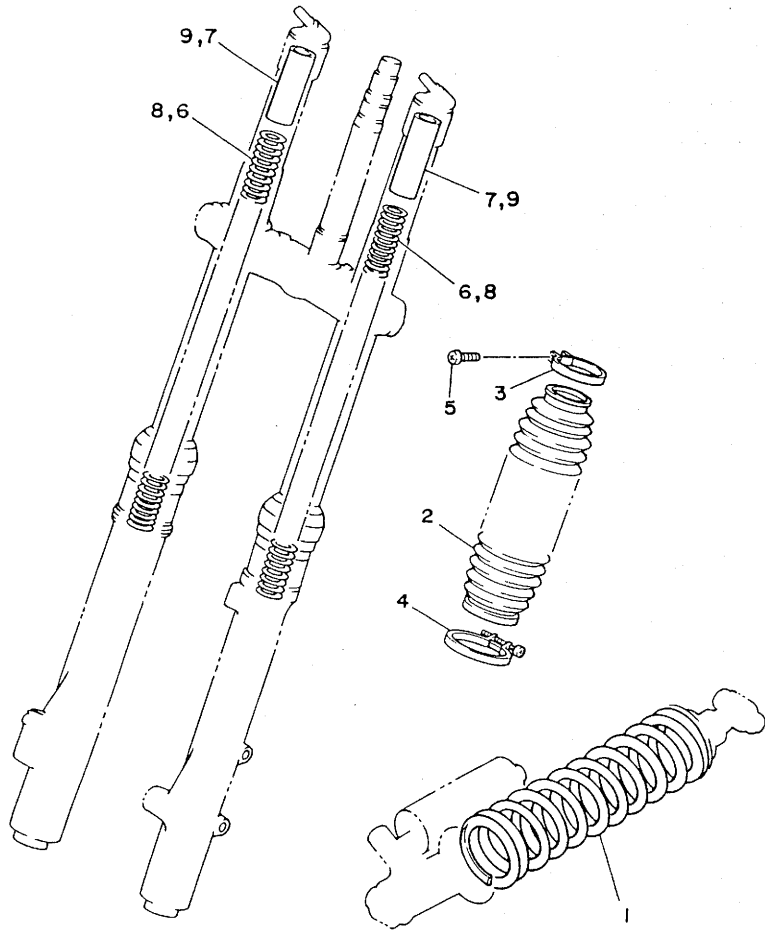
REF. NO.	PART NO.	DESCRIPTION	Q'TY	REMARKS
1	56A-85540-K0	C.D.I. UNIT ASSY	1	
2	21V-21376-00	BAND, tool	1	
3	2K7-85547-00	DAMPER	1	
4	24X-82310-10	IGNITION COIL ASSY	1	
5	92502-06016	SCREW, pan head	2	
6	3R0-82370-20	PLUG CAP ASSY	1	UR
	1M1-82370-21	PLUG CAP ASSY	1	UR for S.AFRICA
7	5X1-82519-01	WIRE, earth lead	1	
8	256-83936-00	BAND, switch cord	1	



56A110-5330

E2

FIG. 34 ALTERNATE 1 (CHASSIS)



REF. NO.	PART NO.	DESCRIPTION	Q'TY	REMARKS
1	1LV-22212-10-6W	SPRING (K=5.25)	1	UR native red (soft)
	1LV-22212-20-6W	SPRING (K=5.75)	1	black/white UR native red (hard)
2	43M-23191-L0	BOOT	2	black/green
3	43M-23192-L0	BAND	2	red
4	43M-23489-L0	BAND	2	
5	98506-04018	SCREW, pan head	2	
6	1LV-23141-L0	SPRING, front fork (K=0.375)	2	} (hard) with set
7	1LV-23118-10	SPACER (L=90)	2	
8	39X-23141-20	SPRING, front fork (K=0.325)	2	} (soft) with set
9	1LX-23118-10	SPACER (L=85)	2	



ILU010-6340

E3

FIG. 35 REPAIR KIT

REF. NO.	PART NO.	DESCRIPTION	Q'TY	REMARKS
1	1LU-11630-00	PISTON ASSY (STD)	1	AP
2	1LU-11631-00-93	.PISTON (STD)	1	
3	56A-11601-00	.PISTON RING SET (STD)	1	
4	214-11633-00	.PIN, piston	1	
5	93450-19052	.CIRCLIP	2	
6	1LU-11630-10	PISTON ASSY (1ST O/S)	1	AP
7	1LU-11635-00	.PISTON (0.25MM O/S)	1	
8	56A-11601-10	.PISTON RING SET (1ST O/S)	1	
9	214-11633-00	.PIN, piston	1	
10	93450-19052	.CIRCLIP	2	
11	1LU-11630-20	PISTON ASSY (2ND O/S)	1	AP
12	1LU-11636-00	.PISTON (0.50MM O/S)	1	
13	56A-11601-20	.PISTON RING SET (2ND O/S)	1	
14	214-11633-00	.PIN, piston	1	
15	93450-19052	.CIRCLIP	2	
16	1LU-11630-30	PISTON ASSY (3RD O/S)	1	AP
17	1LU-11637-00	.PISTON (0.75MM O/S)	1	
18	56A-11601-30	.PISTON RING SET (3RD O/S)	1	
19	214-11633-00	.PIN, piston	1	
20	93450-19052	.CIRCLIP	2	
21	24Y-11650-01	CONNECTING ROD ASSY	1	AP
22	2X4-11681-00	.PIN, crank 1	1	
23	24Y-11651-00	.ROD, connecting	1	
24	90209-25085	.WASHER	2	
25	93310-425N4	.BEARING, cylindrical	1	
26	93310-418E9	.BEARING, cylindrical	1	

NUMERICAL INDEX

PART NO.	GRID NO.	PART NO.	GRID NO.	PART NO.	GRID NO.	PART NO.	GRID NO.	PART NO.	GRID NO.	PART NO.	GRID NO.
56A-W0041-00	D-12	5X5-11911-01	B- 4	510-14141-54	B-10	23X-15381-00	B-13	5X5-18535-01	C- 5	26A-22472-00	C-13
11X-W0045-00	D- 8	5X5-11912-01	B- 4	510-14141-56	B-10	56A-15383-00	B-13	24Y-18540-00	C- 5	23X-22475-00	C-13
56A-W0047-00	D- 8	55Y-11915-00	B- 3	193-14142-35	B-10	39X-15411-00	B-14	1LU-21110-10-FH	C- 7	11X-22489-00	C-13
51L-W0048-00	D- 8	5X5-11921-00	B- 4	193-14142-40	B-10	23X-15421-00	B-14	1HX-2135F-00	C-12	11X-22493-00	C-13
56A-W0057-00	D- 8	5X5-11922-00	B- 4	193-14142-45	B-10	24Y-15431-00	B-14	21V-21376-00	E- 2	5X3-22497-00	C-13
39W-W1132-00	B- 2	1LU-11931-00	B- 4	137-14143-64	B-10	5X5-15451-00	B-14	24Y-21415-00	C- 7	11V-22499-00	C-13
5X4-W1133-00	B- 2	5X5-11937-00	B- 2	137-14143-66	B-10	5X5-15462-00	B-14	1LU-21425-00	C- 7	1LU-23102-L0	D- 2
1LU-W1441-00	B- 9	5X5-11951-00	B- 4	137-14143-68	B-10	24Y-15618-00	B-15	1LU-21426-00	C- 7	1LU-23103-L0	D- 2
1LU-11111-00	B- 2	5X5-11952-00	B- 4	137-14143-70	B-10	1LU-15620-00	B-15	5X6-21511-10	C- 8	11X-23108-00	D- 4
1LU-1131A-00	B- 2	5X5-11953-00	B- 4	137-14143-72	B-10	24Y-15621-00	B-15	11X-21611-00	C- 8	11X-23110-L0	D- 2
5X4-1131N-00	B- 2	1LU-11990-00	B- 4	509-14145-00	B-11	3R4-15641-00	B-15	39X-21642-00	C- 8		D- 3
1LU-11311-00	B- 2	1LU-11992-00	B- 3	3R4-14146-00	B-11	3R4-15651-00	B-15	11X-21711-01-98	C- 9	43M-23111-L0	D- 2
1LU-11351-00	B- 2	1LU-11993-00	B- 3	558-14147-00	B-11	56A-15661-00	B-15	24Y-2172A-00	C- 9		D- 3
47X-11355-00	B- 3	39X-11995-00	B- 3	5X5-14153-00	B-11	3R4-15664-00	B-15		C- 9	11V-23118-10	E- 3
56A-11400-00	B- 5	1LU-1240A-00	B- 7	5Y9-14158-00	B-10	24Y-16110-00	C- 2	11X-21721-00	C- 9	11X-23118-10	E- 3
24Y-11412-01	B- 5	39X-12422-00	B- 6	1W3-14175-00	B-11	39X-16150-00	C- 2	11X-2173L-00	C- 9	5X6-23118-10	D- 2
24Y-11422-01	B- 5	5X5-12428-00	B- 6	363-14184-00	B-10	2K7-16154-00	C- 2	1LU-21731-00	C- 9		D- 3
56A-11601-00	B- 5	39X-12450-00	B- 6	2N7-14185-00	B-10		C- 2	1LU-2174F-00	C-10	122-23119-01	D- 2
	E- 4	39X-12459-00	B- 6	537-14186-00	B-10	2K7-16181-00	C- 2	11X-2174L-00	C- 9		D- 3
56A-11601-10	B- 5	11X-12460-00	B- 7	2K7-14197-00	B-10	5X5-16321-00	C- 2	1LU-21741-00	C- 9	55Y-2312G-M0	D- 2
	E- 4	22W-12462-00	B- 7	310-14197-00	B-10	4H7-16325-00	C- 2	22W-21791-00	B- 7		D- 3
56A-11601-20	B- 5	24X-12469-00	B- 8	11X-14451-00	B- 9	23X-16351-00	C- 2		B- 7	4V4-23125-L0	D- 2
	E- 4	1LU-12476-00	B- 7	11X-14452-00	C- 9	23X-16356-00	C- 2		C-10		D- 3
56A-11601-30	B- 5	1LU-12477-00	B- 7	39X-14452-00	C- 9	2K7-16357-01	C- 2	11V-22110-00	C-11	11X-23126-L0	D- 2
	E- 4	1LU-1248A-00	B- 7	1LU-14453-00	B- 9	23X-16371-00	C- 2	156-22127-00	C-11	122-23129-00	D- 2
1LU-11630-00	E- 4	1LU-12481-00	B- 7	39X-14457-00	B- 9	1LU-16380-00	C- 2	3R4-22129-00	C-11		D- 3
1LU-11630-10	E- 4	1LU-12482-00	B- 7	11X-14458-00	B- 9	24Y-17121-00	C- 3	11X-22141-00	C-11	11X-23136-L0	D- 2
1LU-11630-20	E- 4	1LU-12483-00	B- 7	56A-14459-00	B- 9	24Y-17131-00	C- 3	11X-22151-00	C-11	11V-23141-L0	E- 3
1LU-11630-30	E- 4	39X-12484-00	B- 7	39X-14462-00	B- 9	1LU-17141-00	C- 3	11X-2217A-00	C-11	39X-23141-20	E- 3
1LU-11631-00-93	B- 5	39X-12485-00	B- 7	56A-14468-00	B- 9	5X5-17151-00	C- 3	11X-2217F-00	C-12	57H-23141-20	D- 2
	E- 4	137-13115-00	B-13	1LU-14477-00	B- 9	24Y-17211-00	C- 3	11X-2217G-00	C-12		D- 3
1LU-11631-00-94	B- 5	39X-13565-00	B- 9	1LU-14610-00	B-12	24Y-17221-01	C- 3	30X-22178-00	C- 7	4V4-23142-L0	D- 2
214-11633-00	B- 5	56A-13610-00	B- 9	24Y-14613-00	B-12	24Y-17231-00	C- 3	5X3-2218A-00	C-12		D- 3
	E- 4	56A-13613-00	B- 9	1LU-1469A-00	B-12	5X5-17241-00	C- 3	4V4-22184-00	C- 7	11X-23144-L0	D- 2
	E- 4	56A-13616-00	B- 9	56A-1469A-10	B-12	5X5-17251-00	C- 3	39W-22199-00	C-11		D- 3
	E- 4	39X-13621-00	B- 9	11X-14744-00	B-12	24Y-17411-00	C- 3	1LU-22210-00-6W	C-13	23X-23144-L0	D- 2
	E- 4	26A-1410A-00	B-11	39X-14747-00	B-12	5X5-17421-00	C- 3	23X-22211-00	C-14		D- 3
1LU-11635-00	B- 5	1LU-14101-00	B-10	1LU-14753-00	B-12	23X-17461-30	C- 3	11V-22212-00-6W	C-13	23X-23145-L0	D- 2
	E- 4	23X-14103-00	B-10	56A-14753-10	B-12	23X-17461-40	C- 3	11V-22212-10-6W	E- 3		D- 3
1LU-11636-00	B- 5	23X-14104-00	B-10	24Y-14771-00	B-12	23X-17461-50	C- 4	11V-22212-20-6W	E- 3	4V4-23146-L0	D- 2
	E- 4	23X-14106-00	B-10	565-14771-00	B-12	23X-18101-00	C- 6	11X-22213-00	C-13		D- 3
1LU-11637-00	B- 5	23X-14107-35	B-10	23X-14900-00	B-10	23X-18110-01	C- 6	5X6-22214-00	C-13	3J2-23147-00	D- 2
	E- 4	2X8-14112-25	B-10	5X5-15111-03	B-13	3R4-18140-00	C- 5	3R4-22221-01	C-13		D- 3
24Y-11650-01	E- 4	2X8-14112-30	B-10	5X5-15113-00	B-13	1W1-18177-00	C- 5	11X-22223-00	C-13	55Y-23152-M0	D- 2
24Y-11651-00	B- 5	2X8-14112-35	B-11	3R4-15118-00	B-13	5X5-18511-00	C- 5	11X-22225-00	C-13		D- 3
	E- 4	510-14115-00	B-11	5X5-15121-01	B-13	4V3-18512-00	C- 5	1LU-22401-00	C-13	4V4-23153-L0	D- 2
2X4-11681-00	B- 5	431-14131-00	B-10	168-15362-00	B-14	5X5-18513-00	C- 5	11X-22409-00	C-13		D- 3
	E- 4	510-14141-52	B-10	56A-15378-00	B-14	5X5-18531-01	C- 5	11V-22463-00	C-13	4V4-23157-L0	D- 2

NUMERICAL INDEX

PART NO.	GRID NO.	PART NO.	GRID NO.	PART NO.	GRID NO.	PART NO.	GRID NO.	PART NO.	GRID NO.	PART NO.	GRID NO.
4V4-23157-L0	D- 3	1LX-25104-00	D- 7	382-26372-01	D-11	90116-08394	B- 2	90201-06571	C-15	90267-40115	B-12
23X-23158-L0	D- 2	1LX-25111-00-98	D- 7	56A-26372-00	D-12	90116-10313	B- 2	90201-08087	B- 2	90280-03017	B- 5
	D- 3	136-25117-00	D- 7	23X-26393-00	B-13	90116-10314	B- 2	90201-081A6	D- 9	90340-12095	B-13
43M-23167-L0	D- 3	322-25118-00	D- 7	56A-27200-00	D-13	90119-06042	C- 8	90201-082A9	D-15	90380-15104	B- 4
1LU-23170-L0	D- 2	55U-25181-00	D- 7	1LX-27311-00	D-13	90119-06056	B- 9	90201-08512	B- 6	90380-16158	C-11
	D- 3	56A-25304-00	D- 9	23X-27411-01	D-13	90119-06063	C- 8	90201-08544	D- 4	90380-22111	C-11
4V4-23171-L0	D- 2	56A-25311-00-98	D- 9	23X-27421-02	D-13	90119-06081	B- 9		D-13	90381-08002	B- 6
	D- 3	23X-25321-00-98	D- 9	1LU-28100-00	C- 7	90123-08090	D-11	90201-08612	B-12	90381-16060	C-11
23X-23173-L0	D- 2	23X-25327-00	D-10	2X4-2811A-00	C- 7	90123-14104	C-12	90201-08730	B-12	90387-06387	D- 5
	D- 3	23X-25330-00	D- 9	24X-82310-10	E- 2	90149-06011	D- 5		D-13	90387-06681	C- 8
4V4-23188-L0	D- 2	39X-25351-00	D- 9	1M1-82370-21	E- 2	90149-06153	D-15	90201-08753	C- 7	90387-07392	B- 7
	D- 3	5X4-25355-00	D- 9	3R0-82370-20	E- 2	90149-06178	C- 2	90201-100E9	C-14	90387-07573	B- 7
34K-23190-00	C-15	4V4-25367-00	D-10	5X1-82519-01	E- 2	90152-06010	B-15	90201-100F7	C-14	90387-081A3	B-12
23X-23190-L0	D- 2	23X-25371-00	D-10	688-82535-00	D-11	90159-05100	C- 9	90201-10118	D-12	90387-083F0	D-10
	D- 2	23X-25381-00	D-10	7F6-82591-00	D-14		C- 9	90201-10119	D-13	90387-083F4	B- 4
	D- 3	56A-25388-01	D-10	38V-82911-00	D-15	90159-06013	C- 9	90201-10138	B- 6	90387-102F3	B- 2
	D- 3	2J5-25394-01	D- 7	38V-82913-00	D-15		C- 9	90201-10139	C- 7	90387-126H8	C-14
43M-23191-L0	E- 3	39X-25394-00	D- 9	23X-83912-00	D-15	90159-06016	C- 2	90201-10591	D-14	90387-127G8	C-14
43M-23192-L0	E- 3	39W-25444-00	D- 9	55Y-83922-00	D-15	90170-06010	D-15	90201-106F2	D-15	90387-152F2	B- 4
1LX-23340-L0	D- 3	39W-25445-00	D- 9	256-83936-00	E- 2	90170-20255	C- 2	90201-120E6	C-14	90387-154N4	D- 7
3R4-23389-00	C-15	39W-25446-00	D- 9	437-83936-00	C- 8	90175-06016	D-13	90201-13202	C- 7	90387-15600	D- 7
5Y3-23393-00	D- 3	39W-25448-00	D- 9		D-15	90176-08026	B- 2	90201-140H8	C-12	90387-160H4	B-13
1LX-23395-00	C-15	39W-25450-00	D- 9	437-83936-10	B- 7	90179-08401	D-11	90201-151A7	B- 4	90387-164N1	C-12
1W1-23416-00	C-15	39W-25452-00	D- 9	23X-83976-00	D-15	90179-10280	C- 7		B- 4	90387-164N2	C-11
39W-23435-01-98	C-15	1LX-25810-00	D- 8	56A-85510-K0	D-14	90179-12244	B-15	90201-154F5	B- 4	90387-164N3	C-11
1E6-23441-00	C-15	1LX-25831-00	D- 8	56A-85520-K0	D-14	90179-20255	C- 4	90201-154F6	B- 4		C-12
5X6-23485-11	C-15	34X-25845-00	D- 8	56A-85540-K0	E- 2	90179-22330	C-15	90201-164H4	C-11	90387-200H1	D- 9
43M-23489-L0	E- 3	56A-25852-00	D-12	2K7-85547-00	E- 2	90179-25033	C-15		C-12	90387-200H2	D-10
1LU-24110-00	D- 5	56A-25854-00	D-12	56A-85550-K0	D-14	90185-08106	C- 7	90201-17327	C- 2	90387-252F6	C- 2
5X6-2412F-00	D- 5	56A-25867-00	D-12	56A-85580-K0	D-14		C-11	90201-17545	B-15	90387-25663	C- 3
24X-24144-00	D- 5	56A-25870-00	D-12	90101-06291	D- 9	90185-08113	C- 7	90201-186H3	C- 2	90401-10034	D-12
59V-24173-00	D- 5	56A-25872-00	D-12	90101-08475	D-10		C- 7	90201-20278	C- 3	90402-10005	C-11
1LX-24181-00	D- 5	5R2-25917-00	D- 8	90101-14648	C-12		D-10	90201-20358	B-15	90430-06016	B-14
22W-24181-00	C- 9	56A-25919-00	D- 8	90102-08062	D-10	90185-10120	C-13	90201-22555	C- 3	90430-06166	B- 6
23X-24184-00	D- 5	56A-25919-10	D- 8	90105-06138	C- 8		C-14	90201-253K0	C- 3	90430-06192	B- 2
1LU-24254-00	C- 9	56A-25926-00	D- 8	90109-06551	B-12	90185-14096	C-12	90202-06010	D- 5	90430-12038	B-13
	C- 9	56A-25937-00	D- 8		C- 9	90185-14112	C-12	90202-08022	C- 7	90445-08605	B-13
1LU-24500-00	D- 5	23X-26111-00	D-11	90109-06577	D-15	90185-16127	C-11	90209-17235	C- 3	90445-09100	D- 5
4X8-24512-00	D- 5	1LX-26241-00	D-11	90109-06757	D- 8	90185-18104	D-10	90209-18135	C- 3	90445-11587	D- 5
4X8-24534-00	D- 5	1LX-26242-00	D-11	90109-06797	D-15	90185-18126	C- 2	90209-18244	D-10	90446-09079	B- 7
5X7-24611-01	D- 5	23X-26243-00	D-11	90109-08370	D-10	90201-057H5	B- 4	90209-21243	D-10	90460-15227	B- 7
5X7-24612-00	D- 5	5X2-2628H-01	D-11	90109-08397	D- 4	90201-06067	C-11	90209-22082	C- 3	90460-22252	B- 7
509-24724-00	D- 6	23X-26281-00	D-11	90109-08573	B-12	90201-06070	D- 5	90209-25085	B- 5	90460-31253	B- 7
1LX-24731-10	D- 6	431-26282-01-98	D-11	90109-08705	C- 7	90201-063A5	C- 9		E- 4	90460-51109	B- 9
1LX-24738-01	D- 6	23X-26311-00	D-11	90109-08706	D- 9	90201-06570	B- 7	90215-20212	C- 2	90460-68199	B- 9
107-24741-00	D- 6	510-26329-00	D-11	90109-10700	C-14	90201-06571	C- 8	90215-21239	C- 4	90465-06247	B-14
5X6-24748-10	D- 6	40T-26335-00	D-11	90109-10704	C-13		C- 9	90240-10101	D-13	90465-16258	D-11
1LX-24770-10	D- 6	39X-26351-00	D-13	90116-08392	B- 2		C- 9	90249-12008	D-13	90467-09006	B- 7

NUMERICAL INDEX

PART NO.	GRID NO.	PART NO.	GRID NO.	PART NO.	GRID NO.	PART NO.	GRID NO.	PART NO.	GRID NO.	PART NO.	GRID NO.
90467-10008	D- 5	92506-06025	B-14	93102-20281	D- 7	93399-99916	C-13	95801-06012	D- 6		
90468-26177	B-15		B-14	93102-20309	B-15		C-13	95801-06020	C-11		
90480-15064	B- 7		B-14	93102-32M07	C- 3	93410-20038	C- 3	95801-08025	B-12		
90480-18276	B- 7	92506-06030	B-14	93103-10147	B- 6	93410-22039	C- 3	95802-08012	C- 7		
90480-18354	D- 5	92506-06040	B-14	93103-30150	B- 5	93440-25084	C- 3	95802-08045	C-11		
90501-10312	D-15	92506-06065	B-14	93103-40091	B- 5	93440-30113	C-13	95806-06012	B- 2		
90501-13720	B-15	92701-06012	B-13	93104-08040	B- 4		C-13	95811-08045	D- 8		
90501-23346	C- 2		C-13	93104-16074	B- 2	93450-19052	B- 5	95811-08055	C- 7		
90501-24745	B- 4	92901-05100	D-14	93104-18077	C-13		E- 4	95811-08100	C- 7		
90504-03033	B- 9		D-14	93106-22019	C-11		E- 4	95811-08180	C- 7		
90506-16372	D-13	92901-05600	B- 4	93106-28023	D- 9		E- 4	95811-10016	C-11		
90506-17328	D- 9	92901-06600	B- 7	93108-35004	C-11		E- 4	95811-10055	C- 7		
90507-20030	B-12		B- 7	93109-20029	C-11	93450-28063	C-12	95821-08020	C- 7		
90508-14423	C- 2		B-12		C-12		C-12	95821-08035	C-15		
90508-20583	D-13		D- 5	93112-19006	D-10	93501-04011	B-15	95821-08040	C-15		
90508-26608	C- 5		D- 6	93210-06632	C-13	93515-32029	C- 2	95826-06025	B- 6		
90508-29361	C- 6		D-11	93210-09192	B- 2	93521-64032	B- 4	97011-06020	D-13		
90508-29596	D- 9		D-14	93210-14104	B-14	93603-14179	B- 4	97301-06016	B-12		
90508-30422	B-15	92901-08200	C- 9	93210-14167	D-10	93603-22028	B- 6		D- 5		
90560-12171	C- 6		C-11	93210-19216	B-15	93604-10011	B- 6	97301-06020	B- 7		
90560-20226	D- 9	92901-08600	B-12	93210-27244	B- 2	93604-21193	C-13	97301-06030	B- 7		
90560-22281	D-11		C-10	93210-31114	D-10	93604-26132	C-13	97301-08016	B-12		
91311-06016	D-11		D-10	93210-77363	B- 2	93606-14154	C- 5	97301-08050	C-10		
91316-04006	B- 4	92901-10200	C- 7	93211-17405	B- 2	93608-25150	C- 6	97301-08060	B-12		
91316-06020	B- 9	92906-05100	D-15	93300-20501	C- 3	94108-213J9	D- 7	97321-06025	C- 6		
91316-06040	B-13	92906-06100	B-14		C- 3	94111-184J0	D- 9	97321-06035	D- 5		
91316-06045	B-13	92906-06600	B-14	93300-60801	B- 4	94212-18188	D- 9	97326-06025	D-12		
91316-06055	B-13		B-14	93306-00004	B- 4	94227-21123	D- 7	97801-03008	D- 5		
91316-06060	B-13		B-14	93306-00106	C- 5	94307-21145	D- 7	98501-04006	C-13		
91401-20015	D-10		B-14	93306-00406	D- 9	94309-18146	D- 9	98501-05016	B-10		
91401-25015	D-13		C- 9	93306-00418	D- 9	94416-21435	D- 7	98506-04018	E- 3		
	D-13		D-12	93306-20209	D- 7	94421-18414	D- 9	98506-05010	B- 3		
91790-08021	D-13	92990-03100	B- 9	93306-20627	B- 5	94585-20114	D-10	98506-05012	B- 2		
92501-05030	D-14	92990-05100	B-10		B- 5	94685-20001	D-10	98506-05014	B- 3		
92501-06010	B-13	92990-06100	B-12	93310-418E9	B- 5	95021-08016	D- 6	98506-05016	D-11		
92501-06012	B-13		C- 2		E- 4		D-13	98506-05018	B- 3		
	C-15		C- 9	93310-425N4	B- 5	95301-06600	C- 2		D-15		
	D- 5		C- 9		E- 4	95301-06700	D-13	98580-03008	B- 9		
	D- 6		D- 3	93311-41734	C- 3	95301-08700	D-10	98706-04012	D-11		
92501-06014	C- 9		D- 5	93311-62035	C- 3	95301-08900	D-10		D-12		
	C- 9		D- 5	93315-21721	C- 2	95311-08600	D- 4	98903-06018	D- 5		
92501-06020	D-14		D- 5	93315-22045	C-12	95311-10600	D-14	99001-07600	B- 6		
92501-08010	B-13	92990-08100	B-12	93315-32044	C-11	95601-05100	B- 4	99009-17400	B-15		
92502-06016	E- 2		B-12	93317-32231	C-11		B- 9	99510-10114	B- 2		
92503-05015	D-14		C-10	93332-00008	C-15	95606-06100	D-15	99510-12016	B-13		
92506-06008	B-14		D- 4	93332-00023	C-15		D-15	99530-14016	B- 2		
92506-06016	C- 9	93102-12106	C- 6	93342-22208	C-11	95611-08100	D- 9				
92506-06025	B- 6	93102-17263	C- 2	93399-99910	D-10	95701-10500	B- 2				