

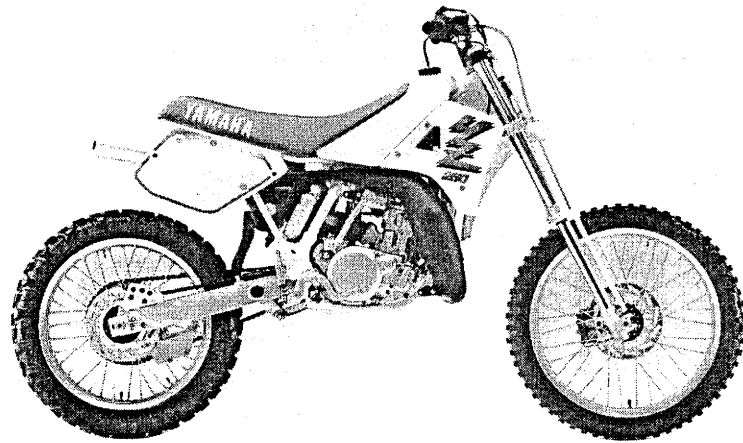
YAMAHA

PARTS CATALOGUE

YZ250W (3JE1)

**U.S.A., CANADA, OCEANIA,
S.AFRICA, OTHERS**

93JE-100E1



A3

01000000

YAMAHA MOTOR CO., LTD.

FOREWORD

This Parts Catalogue is related to the parts in use for the Yamaha YZ250W(3JE1). When you are ordering replacement parts for the YZ250W(3JE1), refer to this Parts Catalogue and quote both part numbers and part names correctly.

1. Modifications or additions which have been made after issue of the Parts Catalogue will be announced in the Yamaha Parts News.

It is advisable that according to the Yamaha Parts News you make necessary corrections to the Parts Catalogue on hand to keep it up-to-date.

2. Abbreviations

The following abbreviations are used in this Parts Catalogue.

- U.R. Use size (thickness) and/or number as required.
- U.N. Use as many as you need.
- A.P. Alternate Parts
- L.M. Local Made
- F# Frame No. (Applicable machine No.)

3. The parts marked with (*) in the parts number column of this Catalogue are not supplied with by Yamaha, those have to be found locally.

4. Parts, which are to be supplied in the form of assemblies, are listed with an indention of one letter's space, and a dot (.) is put against the name of each part.

EXAMPLE CARBURETOR ASS'Y
 . JET, pilot
 . NOZZLE, main

5. Indication of No. of constituent parts for assembly

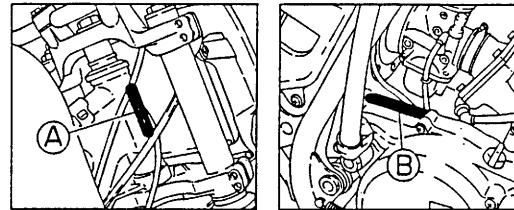
The numeral appearing to the right of each constituent part under the description indicates the quantity of such parts for each individual assembly unit.

EXAMPLE

Part No.	Description	Q'ty	Remarks
2F5-83310-60	FRONT FLASHER LIGHT ASS'Y	2	
115-83311-60	. BULB (6V-18W)	1	
1M1-83309-60	. REFLECTOR	1	

6. Initial Serial No. and Color Code

(A) Frame Serial No.	3JE-000101 and following
(B) Engine Serial No.	3JE-000101 and following



Color Code	Color Name	Abbreviate
36	CLEAN WHITE	W

7. Applicable colors of graphics are represented in the "Remarks" column by the letter(s) appropriately picked out of the full word(s) showing such colors.

EXAMPLE

Part No.	Description	Q'ty	Remarks
2N4-24110-00-X5	FUEL TANK COMP.	1	MAXIM RED
3J1-24240-10	. GRAPHIC, fuel tank set	1	for MXR

CONTENTS

ENGINE

Cylinder Head	B2 ~ B3
Governor	B4
Crankshaft, Piston	B5
Water Pump	B6
Radiator, Hose	B7
Intake	B8
Carburetor	B9 ~ B10
Exhaust	B11
Crankcase	B12
Crankcase Cover 1	B13
Starter	B14
Clutch	B15
Transmission	C2 ~ C3
Shift Cam. Fork	C4
Shifter	C5

CHASSIS

Frame	C6 ~ C7
Fender	C8
Side Cover	C9 ~ C10
Rear Arm	C11 ~ C12
Rear Suspension	C13
Steering	C14
Front Fork	C15 ~ D3
Fuel Tank	D4
Seat	D5
Front Wheel	D6
Front Brake Caliper	D7
Rear Wheel	D8 ~ D9

Rear Brake Caliper	D10
Steering Handle, Cable	D11
Front Master Cylinder	D12
Stand, Footrest	D13
Rear Master Cylinder	D14
Generator	D15
Handle Switch, Lever	E2
Electrical 1	E3

ALTERNATE PARTS

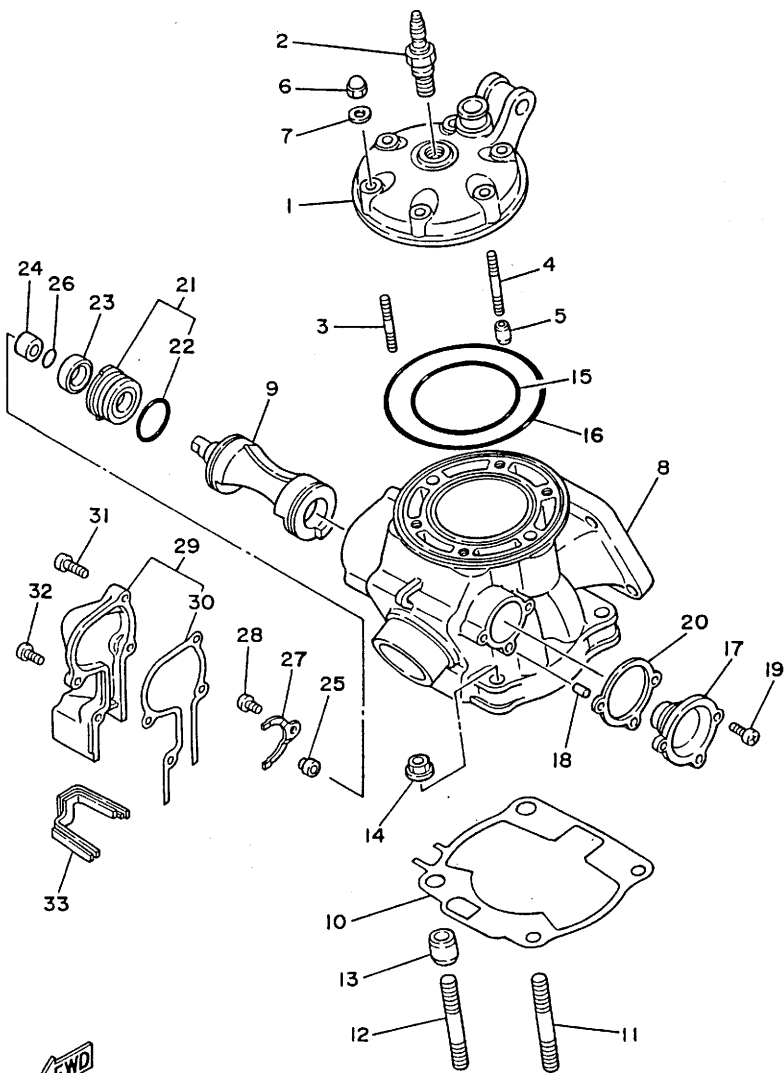
Alternate 1 (Chassis)	E4
-----------------------------	----

REPAIR KIT

Repair Kit	E5
------------------	----

INDEX

Numerical Index	M1 ~ M3
-----------------------	---------



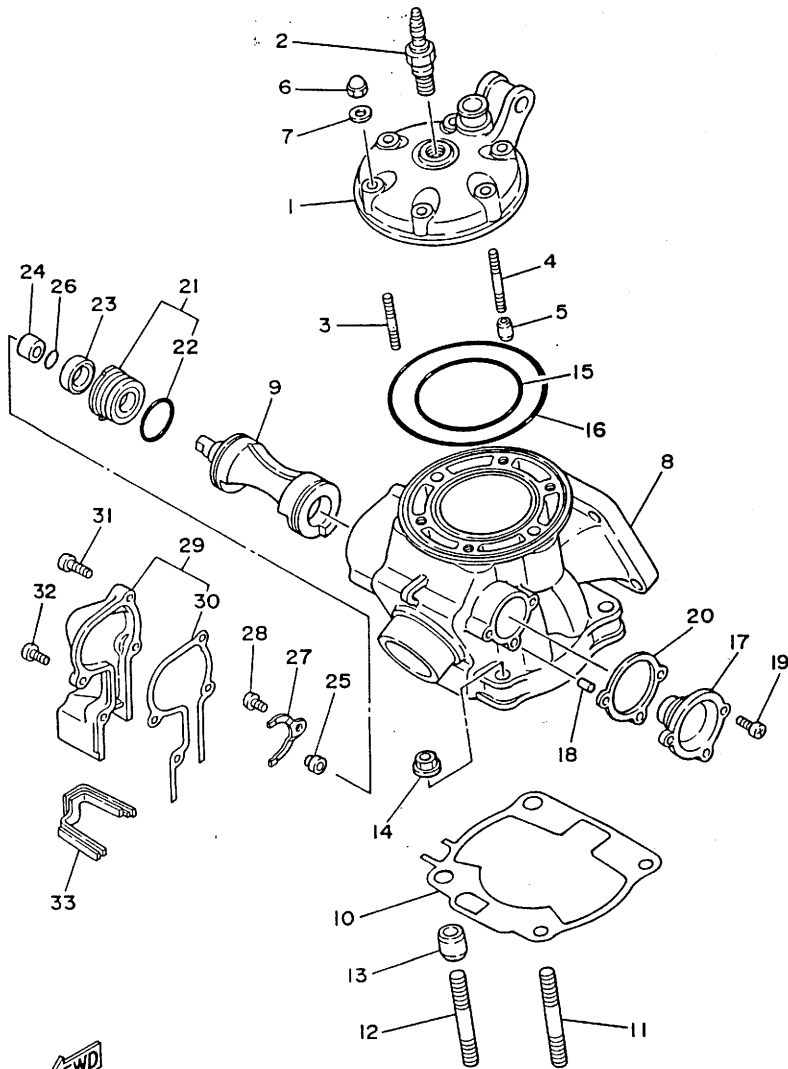
3JE1010-9010

FIG. 1 CYLINDER HEAD

REF. NO.	PART NO.	DESCRIPTION	Q'TY	REMARKS
1	2VM-11111-00	HEAD, cylinder 1	1	
2	94702-00323	PLUG, spark (NGK B8EG)	1	UR
	94702-00326	PLUG, spark (NGK BR8EG)	1	UR CANADA, S.AFRICA
3	90116-08394	BOLT, stud	4	
4	90116-08392	BOLT, stud	2	
5	99510-10114	PIN, dowel	2	
6	90176-08026	NUT, crown	6	
7	90201-08087	WASHER, plate	6	
8	3JE-11311-00	CYLINDER 1	1	
9	3JE-1131A-00	VALVE 1	1	
10	2VM-11351-00	GASKET, cylinder	1	
11	90116-10314	BOLT, stud	2	
12	90116-10314	BOLT, stud	2	
13	99530-14016	PIN, dowel	2	
14	95701-10500	NUT, flange	4	
15	93210-77363	O-RING	1	
16	93211-11770	O-RING	1	
17	3JE-W1132-00	HOLDER 1	1	
18	93604-08071	PIN, dowel	1	
19	98506-05012	SCREW, pan head	2	
20	3JE-1131N-00	GASKET, holder	1	
21	5X4-Y113F-00	HOLDER 2 ASSY	1	
22	93210-27244	O-RING	1	
23	93104-16074	OIL SEAL	1	
24	90387-102W0	COLLAR	1	
25	3JE-11937-00	BOSS, lever	1	
26	93210-09192	O-RING	1	
27	1LX-11915-00	PLATE, thrust 1	1	

FIG. 1 CYLINDER HEAD

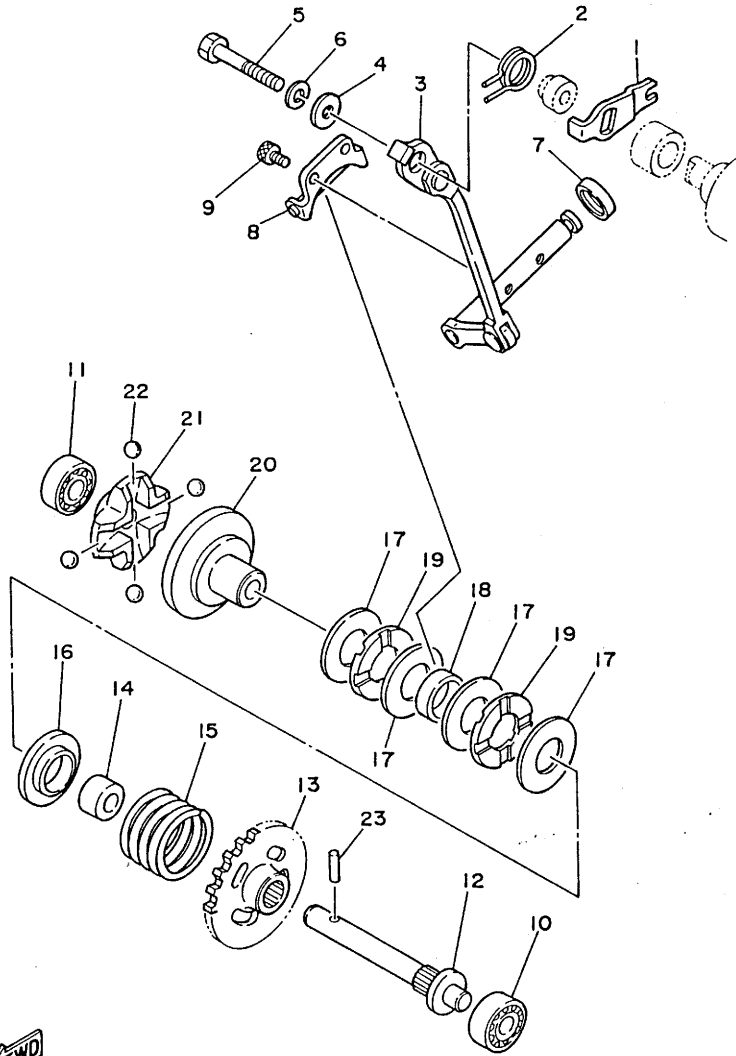
REF. NO.	PART NO.	DESCRIPTION	Q'TY	REMARKS
28	98506-05010	SCREW, pan head	1	
29	2VM-11992-00	HOUSING 2	1	
30	2VM-11993-00	.GASKET	1	
31	98506-05018	SCREW, pan head	3	
32	98506-05014	SCREW, pan head	1	
33	2VM-11995-00	SEAL, housing	1	



3JE1010-9010

B3

FIG. 2 GOVERNOR

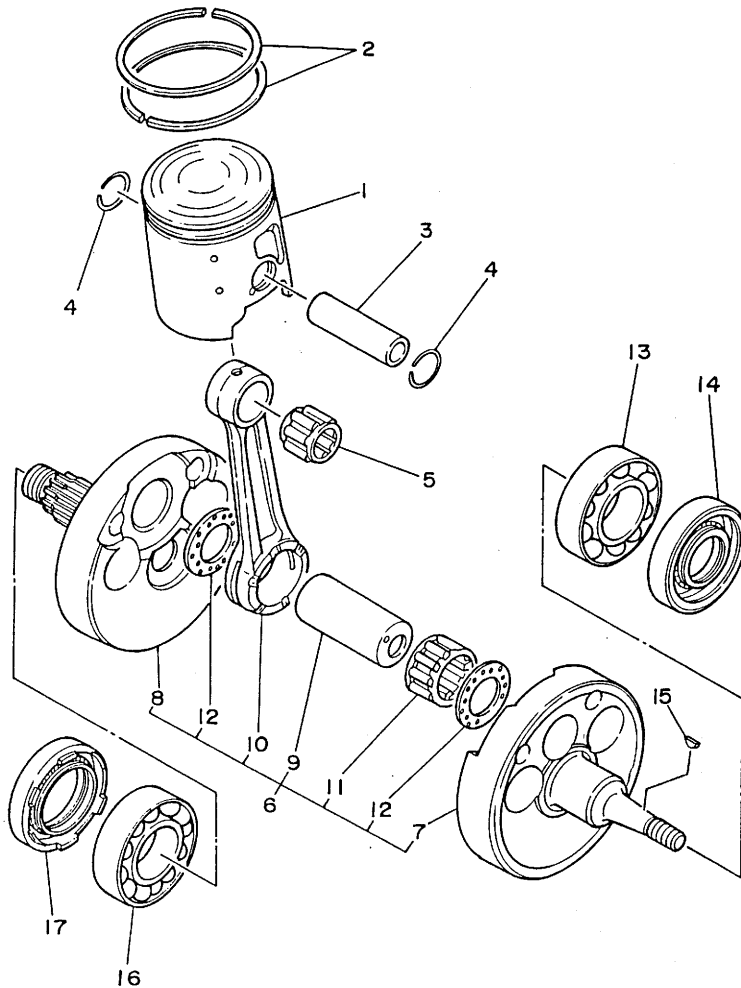


REF. NO.	PART NO.	DESCRIPTION	Q'TY	REMARKS
1	3JE-11931-00	LEVER	1	
2	90508-14783	SPRING, torsion	1	
3	3JE-11990-00	PUSH ROD ASSY	1	
4	90201-057H5	WASHER, plate	1	
5	97021-05030	BOLT	1	
6	92990-05100	WASHER, spring	1	
7	93104-08040	OIL SEAL	1	
8	3JE-11922-00	FORK, governor	1	
9	91316-04006	BOLT	2	
10	93300-60814	BEARING (608M4ML01)	1	NMB
11	93300-60814	BEARING (608M4ML01)	1	NMB
12	5X4-11921-02	SHAFT, governor	1	
13	24X-11953-01	GEAR, governor	1	
14	90560-08213	SPACER	1	
15	90501-240F4	SPRING, compression	1	
16	5X4-11952-00	PLATE	1	
17	90201-154E9	WASHER, plate	4	
18	90387-152F2	COLLAR	1	
19	90380-15104	BUSH, solid	2	
20	5X5-11912-01	RETAINER, weight	1	
21	5X5-11911-01	RETAINER	1	
22	93521-64032	BALL	4	
23	93603-14179	PIN, dowel	1	

3JE1010-9020

B4

FIG. 3 CRANKSHAFT. PISTON



REF. NO.	PART NO.	DESCRIPTION	Q'TY	REMARKS
1	3JE-11631-00-93	PISTON (STD)	1	UR
	3JE-11631-00-94	PISTON (STD)	1	UR
	3JE-11635-00	PISTON (0.25MM O/S)	1	AP
	3JE-11636-00	PISTON (0.50MM O/S)	1	AP
	3JE-11637-00	PISTON (0.75MM O/S)	1	AP
2	56A-11601-00	PISTON RING SET (STD)	1	
	56A-11601-10	PISTON RING SET (1ST O/S)	1	AP
	56A-11601-20	PISTON RING SET (2ND O/S)	1	AP
	56A-11601-30	PISTON RING SET (3RD O/S)	1	AP
3	2VM-11633-00	PIN, piston	1	
4	93450-19052	CIRCLIP	2	
5	93310-418E9	BEARING, cylindrical	1	
6	3JE-11400-00	CRANKSHAFT ASSY	1	
7	3JE-11412-00	.CRANK 1	1	
8	3JE-11422-00	.CRANK 2	1	
✓ 9	3JE-11681-00	.PIN, crank 1	1	
10	24Y-11651-01	.ROD, connecting	1	
11	93310-425T1	.BEARING, cylindrical	1	
12	90209-25085	.WASHER	2	
13	93306-37802	BEARING	1	
14	93102-22363	OIL SEAL	1	
15	90280-03045	KEY, woodruff	1	
16	93306-37802	BEARING	1	
17	93103-40091	OIL SEAL	1	

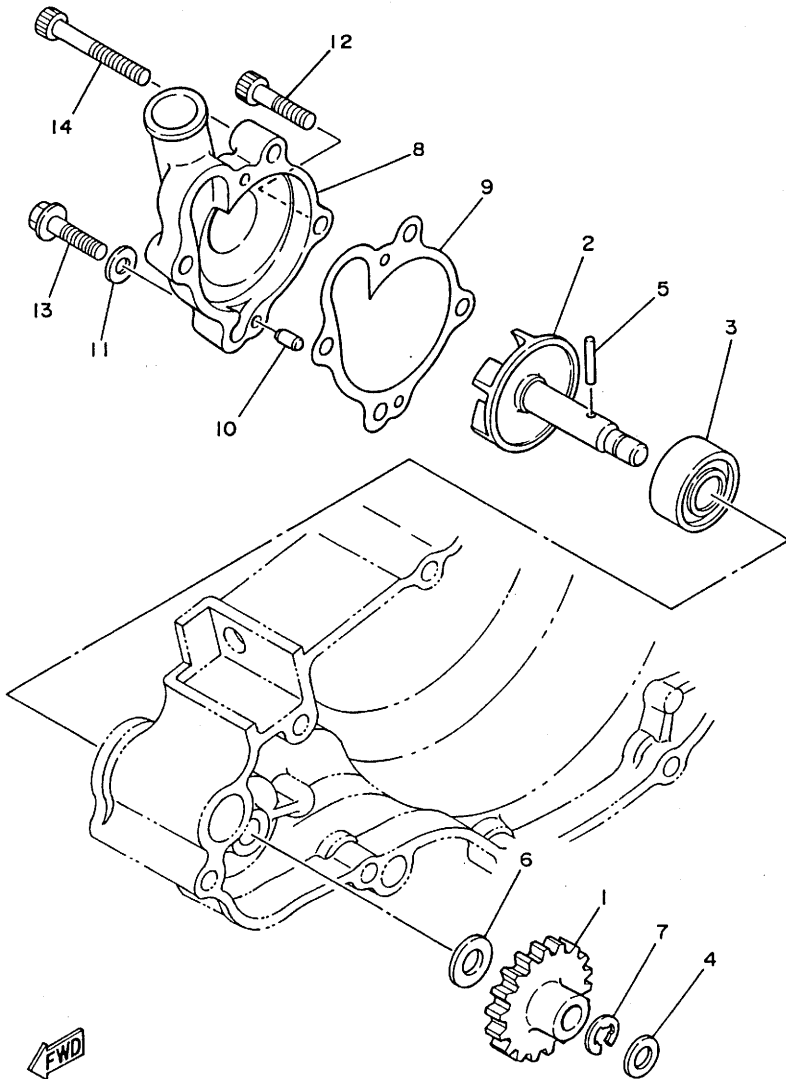


3JE1010-9030

B5

FIG. 4 WATER PUMP

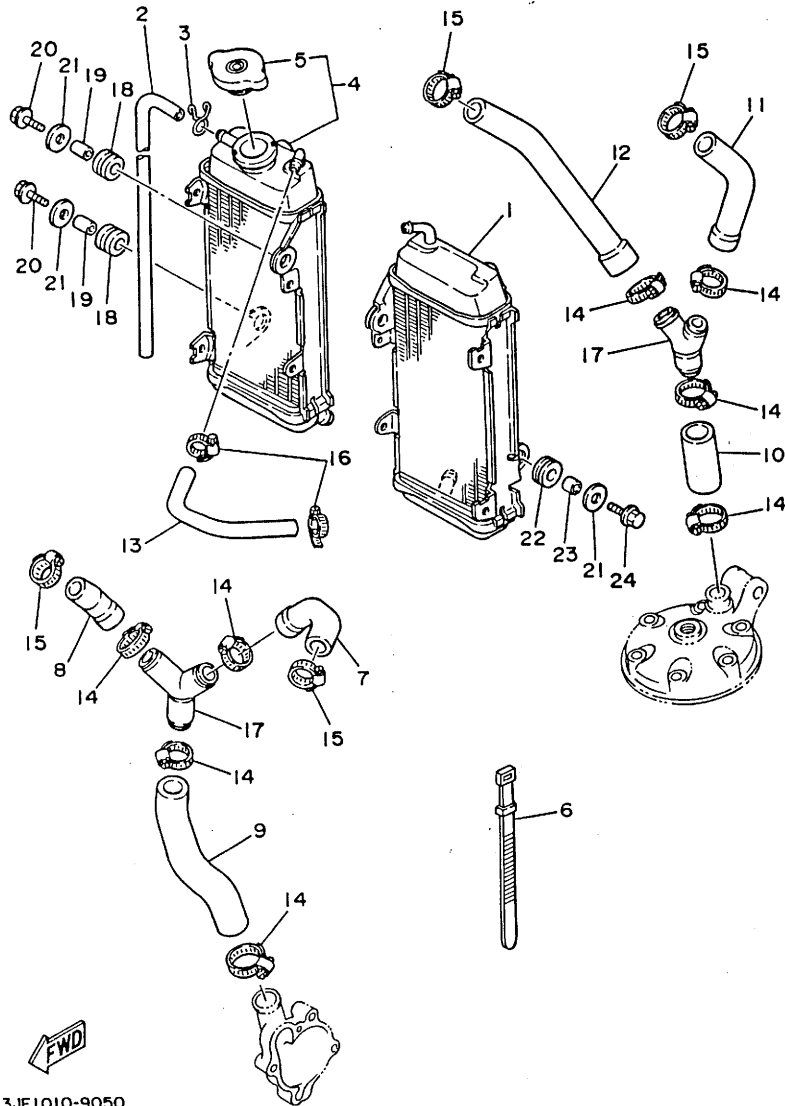
REF. NO.	PART NO.	DESCRIPTION	Q'TY	REMARKS
1	2VM-12459-00	GEAR, impeller shaft	1	
2	2VM-12450-00	IMPELLER SHAFT ASSY	1	
3	93103-10147	OIL SEAL	1	
4	90201-08759	WASHER, plate	1	
5	93603-22028	PIN, dowel	1	
6	90201-08784	WASHER, plate	1	
7	99009-06600	CIRCLIP	1	
8	2VM-12422-00	COVER, housing	1	
9	2VM-12428-00	GASKET, housing cover 2	1	
10	93604-10011	PIN, dowel	2	
11	90430-06166	GASKET	1	
12	91316-06025	BOLT	2	
13	95816-06025	BOLT, flange	1	
14	91316-06065	BOLT	1	



2VM100-8040

B6

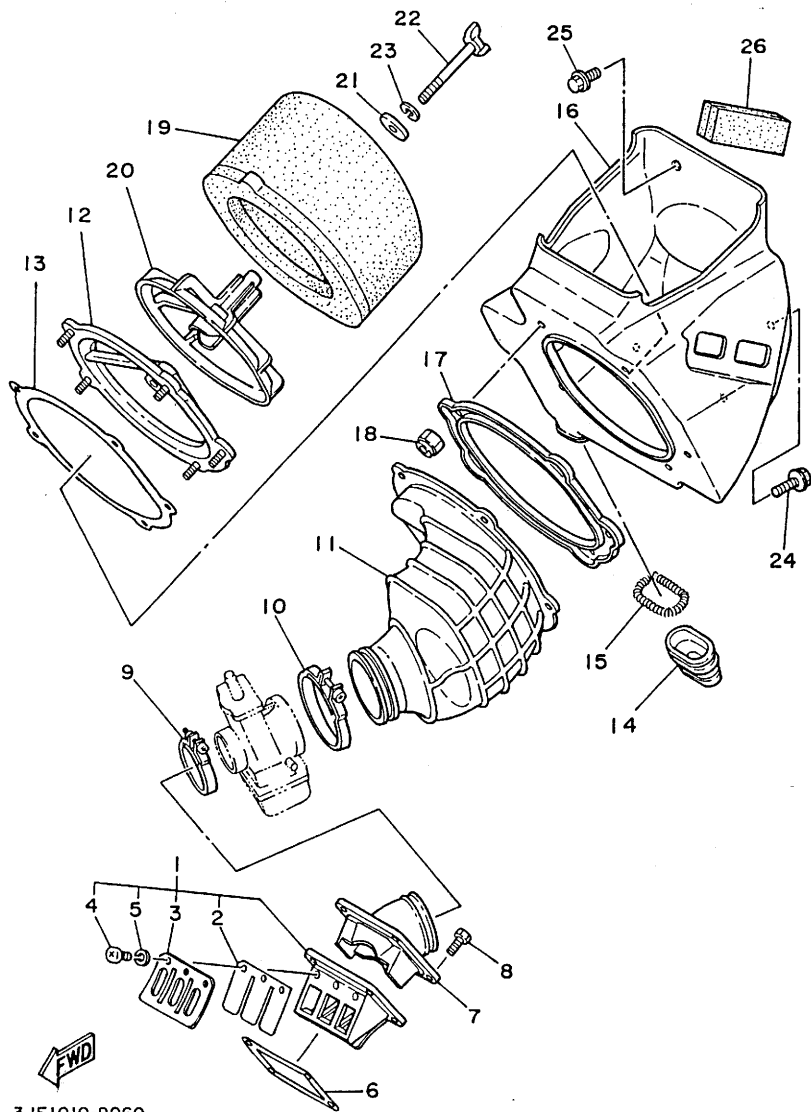
FIG. 5 RADIATOR. HOSE



REF. NO.	PART NO.	DESCRIPTION	Q'TY	REMARKS
1	2VM-12460-00	RADIATOR ASSY	1	
2	90446-09079	HOSE	1	
3	90467-09006	CLIP	1	
4	1LU-1240A-00	RADIATOR ASSY 2	1	
5	22W-12462-00	.CAP, radiator	1	
6	437-83936-10	BAND, switch cord	1	
7	3JE-12481-00	PIPE 1	1	
8	2VM-12482-00	PIPE 2	1	
9	2VM-12483-00	PIPE 3	1	
10	39X-12485-00	PIPE 5	1	
11	2VM-12476-00	PIPE 6	1	
12	2VM-12477-00	PIPE 7	1	
13	1LU-1248A-01	PIPE 8	1	
14	90450-28014	HOSE CLAMP ASSY	8	
15	90450-22017	HOSE CLAMP ASSY	4	
16	90450-15041	HOSE CLAMP ASSY	2	
17	24X-12469-00	JOINT 1	2	
18	90480-15064	GROMMET	2	
19	90387-07392	COLLAR	2	
20	95023-06025	BOLT, flange	2	
21	90201-06570	WASHER, plate	4	
22	90480-18276	GROMMET	2	
23	90387-07573	COLLAR	2	
24	95023-06020	BOLT, flange	2	

3JE1010-9050

B7

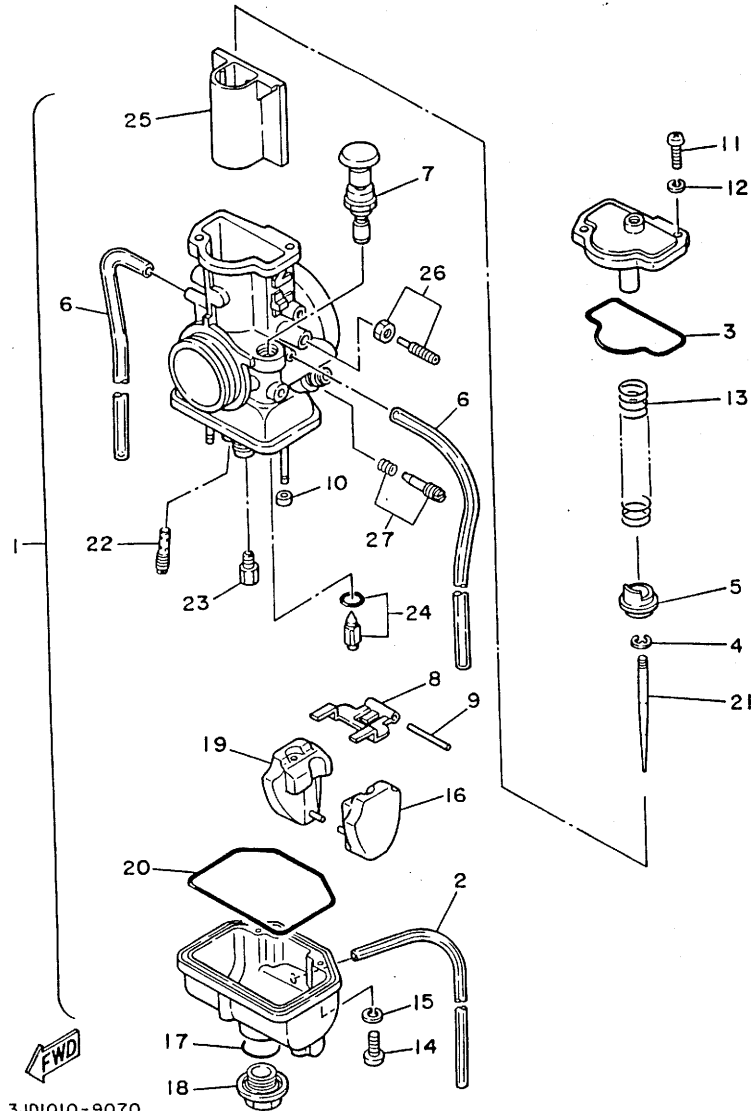


3JE1010-9060

FIG. 6 INTAKE

REF. NO.	PART NO.	DESCRIPTION	Q'TY	REMARKS
1	1RX-13610-01	REED VALVE ASSY	1	
2	1RX-13613-00	.REED, valve	2	
3	2VN-13616-00	.STOPPER, reed valve	2	
4	98501-03008	.SCREW, pan head	6	
5	92990-03100	.WASHER, spring	6	
6	80L-13621-01	GASKET, valve seat	1	
7	3JE-13565-00	JOINT, carburetor	1	
8	95026-06020	BOLT, flange	4	
9	90460-51109	CLAMP, hose	1	
10	90460-68230	CLAMP, hose	1	
11	3JE-14453-00	JOINT, air cleaner 1	1	
12	3JD-14459-00	HOLDER, guide	1	
13	3JD-14462-00	SEAL	1	
14	39K-14457-00	SEAL	1	
15	90504-03033	SPRING, compression	1	
16	3JE-14411-00	CASE, air cleaner 1	1	
17	3JD-14477-00	PLATE	1	
18	95601-05100	NUT, u	5	
19	3JD-14451-00	ELEMENT, air cleaner	1	
20	3JD-14458-00	GUIDE	1	
21	90209-06096	WASHER	1	
22	90122-06030	BOLT, wing	1	
23	92990-06100	WASHER, spring	1	
24	95023-06012	BOLT, flange	2	
25	90119-06185	BOLT, with washer	1	
26	3JE-14461-00	ELEMENT, air cleaner 2	1 AP	

FIG. 7 CARBURETOR



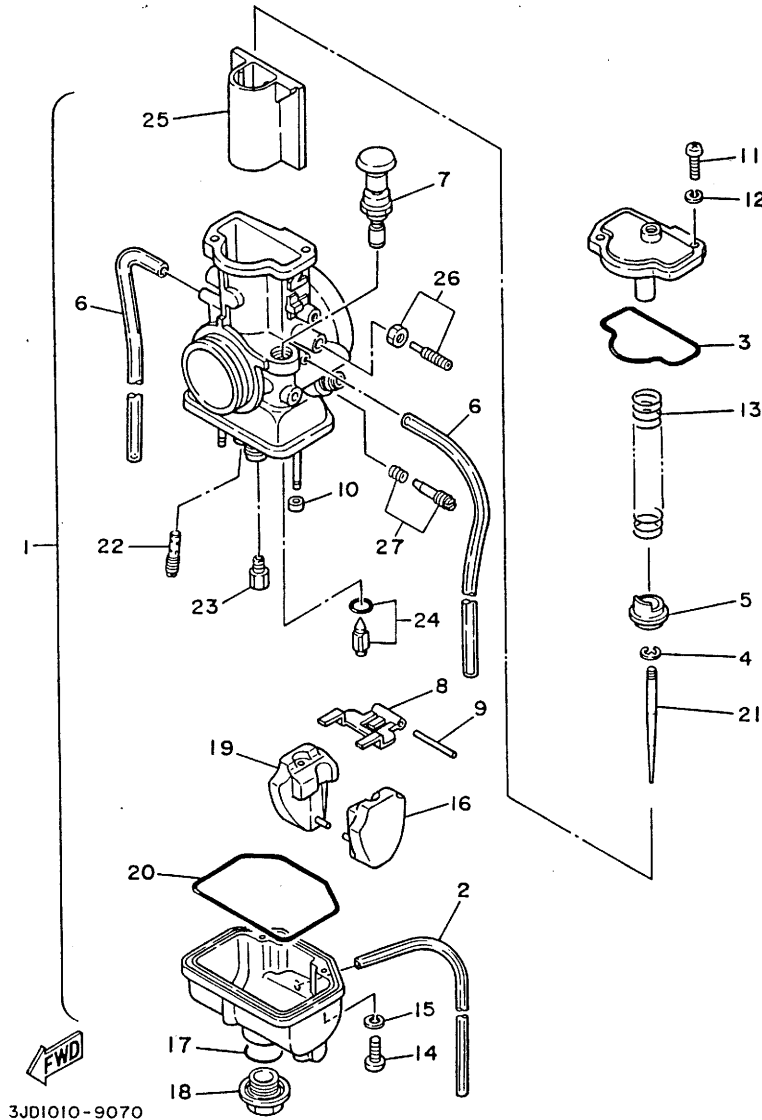
3JD1010-9070

REF. NO.	PART NO.	DESCRIPTION	Q'TY	REMARKS
1	3JE-14101-00	CARBURETOR ASSY 1"	1	
2	10V-14196-00	.PIPE	1	
3	3JD-14147-00	.O-RING	1	
4	256-14919-00	.CLIP	1	
5	3JD-14194-00	.RING	1	
6	2HH-14197-00	.PIPE	2	
7	3JE-14171-00	.PLUNGER, starter	1	
8	363-14187-00	.ARM, float	1	
9	353-14186-00	.PIN, float	1	
10	214-14118-00	.CAP	2	
11	98511-04012	.SCREW, pan head	2	
12	92902-04100	.WASHER, spring	2	
13	3JD-14131-00	.SPRING, throttle valve	1	
14	98501-03008	.SCREW, pan head	1	
15	92990-03100	.WASHER, spring	1	
16	3JD-14185-00	.FLOAT	1	
17	3JE-14561-00	.O-RING	1	
18	3JD-14115-00	.PLUG, screw	1	
19	3JE-14185-00	.FLOAT	1	
20	3JE-14147-00	.O-RING	1	
21	275-14116-A8	.NEEDLE (J8-6DJ8-63)	1	STD
	275-14116-A7	.NEEDLE (J8-6DJ8-61)	1	AP
	275-14116-E0	.NEEDLE (J8-6DJ8-62)	1	AP
	275-14116-E1	.NEEDLE (J8-6DJ8-64)	1	AP
	275-14116-E2	.NEEDLE (J8-6DJ8-65)	1	AP
22	193-14142-60	.JET, pilot (# 60)	1	STD
	193-14142-50	.JET, pilot (# 50)	1	AP
	193-14142-55	.JET, pilot (# 55)	1	AP

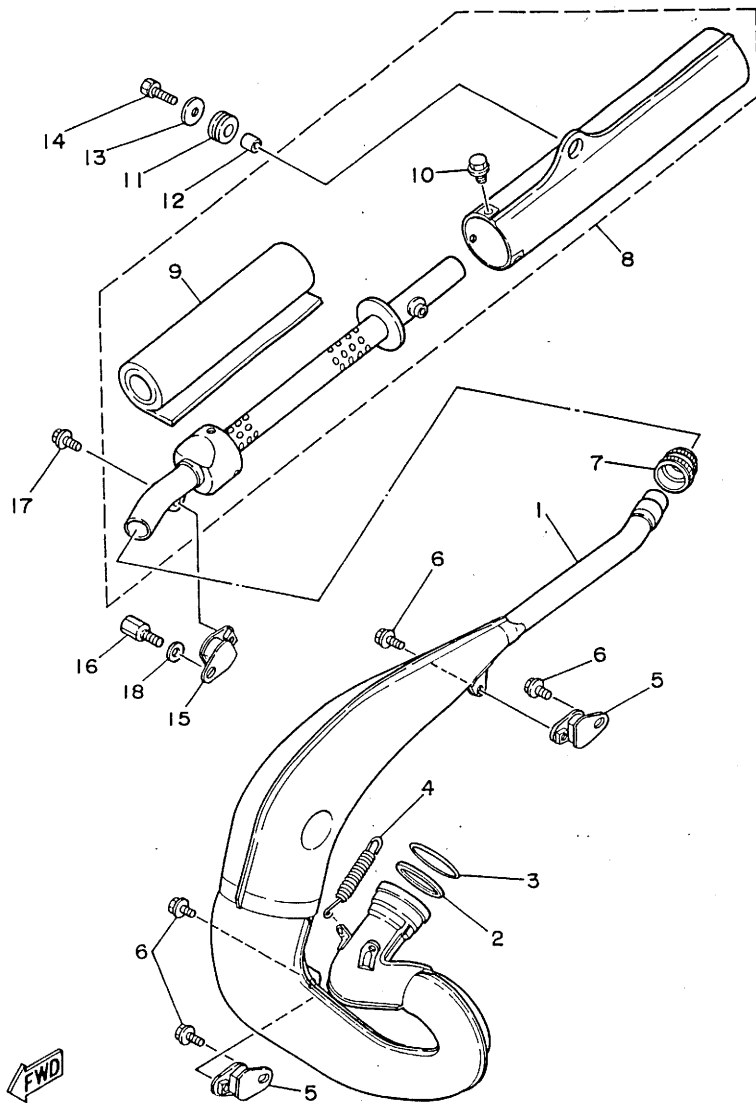
B9

FIG. 7 CARBURETOR

REF. NO.	PART NO.	DESCRIPTION	Q'TY	REMARKS
22	193-14142-65	.JET, pilot (# 65)	1	AP
	193-14142-70	.JET, pilot (# 70)	1	AP
23	137-14143-68	.JET, main (#340)	1	STD
	137-14143-66	.JET, main (#330)	1	AP
	137-14143-70	.JET, main (#350)	1	AP
24	3JD-14107-35	.NEEDLE VALVE SET	1	
25	3JD-14112-40	.VALVE, throttle (C.A 4.0)	1	STD
	3JD-14112-30	.VALVE, throttle (C.A 3.0)	1	AP
	3JD-14112-35	.VALVE, throttle (C.A 3.5)	1	AP
	3JD-14112-45	.VALVE, throttle (C.A 4.5)	1	AP
	3JD-14112-50	.VALVE, throttle (C.A 5.0)	1	AP
26	3JD-14103-00	.THROTTLE SCREW SET	1	
27	3JD-14104-00	.AIR SCREW SET	1	



3JD1010-9070



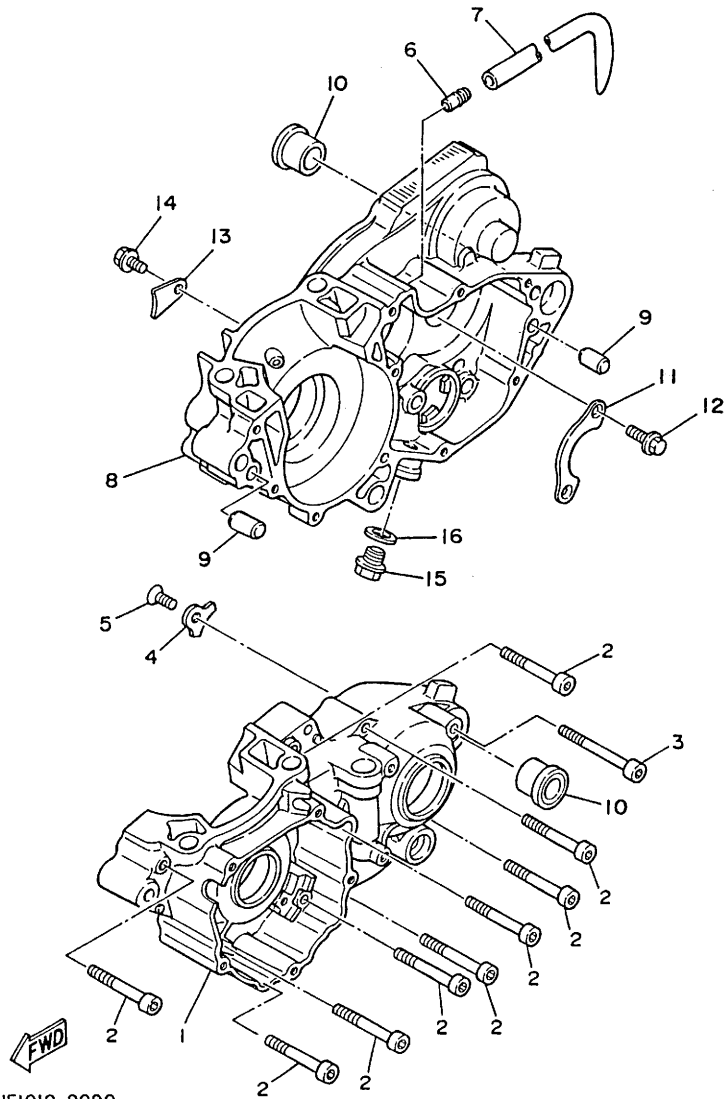
3JE1010-9080

FIG. 8 EXHAUST

REF. NO.	PART NO.	DESCRIPTION	Q'TY	REMARKS
1	3JE-14610-00	EXHAUST PIPE ASSY 1	1	
2	3R4-14613-00	GASKET, exhaust pipe	1	
3	93210-56743	O-RING	1	
4	90507-20030	SPRING, tension	3	
5	565-14771-00	STAY, muffler 1	2	
6	95023-06012	BOLT, flange	4	
7	3JE-14615-00	JOINT, exhaust 1	1	
8	3JE-14753-00	SILENCER, exhaust	1	
9	3JE-1469A-00	.FIBER	1	
10	95021-06008	.BOLT, flange	3	
11	39X-14747-00	DAMPER, muffler	1	
12	90387-081A3	COLLAR	1	
13	90201-08612	WASHER, plate	1	
14	90109-08512	BOLT	1	
15	565-14771-00	STAY, muffler 1	1	
16	90109-06551	BOLT	1	
17	95023-06012	BOLT, flange	1	
18	90201-063A5	WASHER, plate	1	

FIG. 9 CRANKCASE

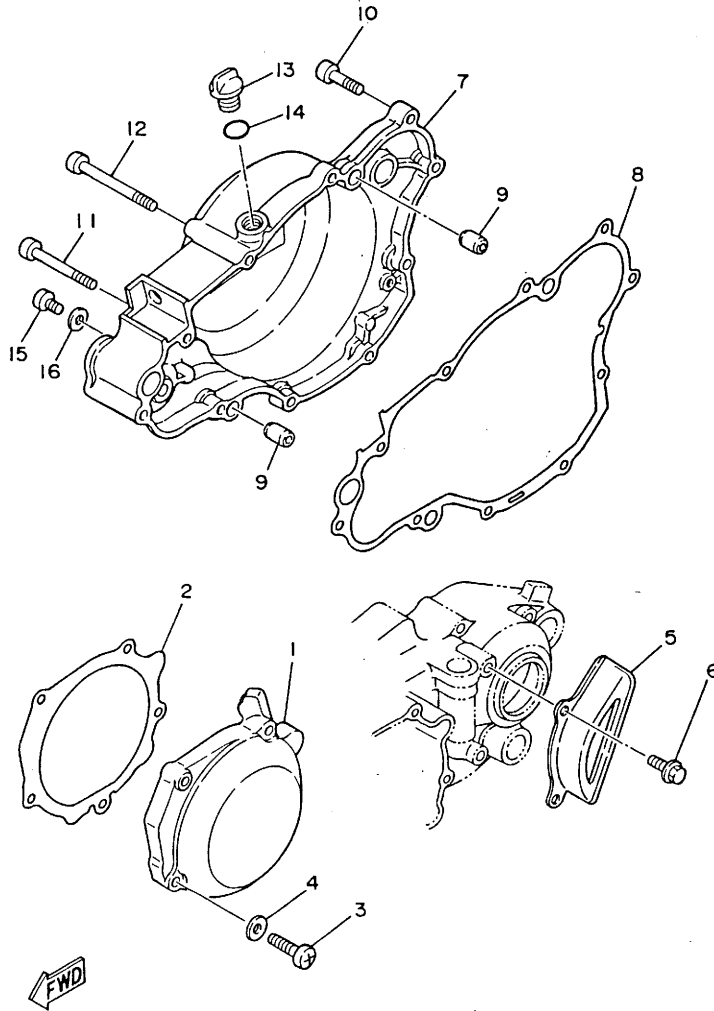
REF. NO.	PART NO.	DESCRIPTION	Q'TY	REMARKS
1	2VM-15111-01	CRANKCASE 1	1	
2	91316-06050	BOLT	9	
3	91316-06070	BOLT	1	
4	56A-15383-00	PLATE, bearing cover	1	
5	92701-06012	SCREW, flat head	1	
6	353-13115-01	CONNECTOR, suction pipe	1	
7	90445-08605	HOSE	1	
8	2VM-15121-00	CRANKCASE 2	1	
9	99510-12016	PIN, dowel	2	
10	90387-160H4	COLLAR	2	
11	4L0-17471-00	PLATE, cover	1	
12	92501-06012	SCREW, pan head	2	
13	4V4-15118-00	HOLDER	1	
14	91002-06010	BOLT, flange	1	
15	90340-12059	PLUG, straight screw	1	
16	90430-12038	GASKET	1	



3JE1010-9090

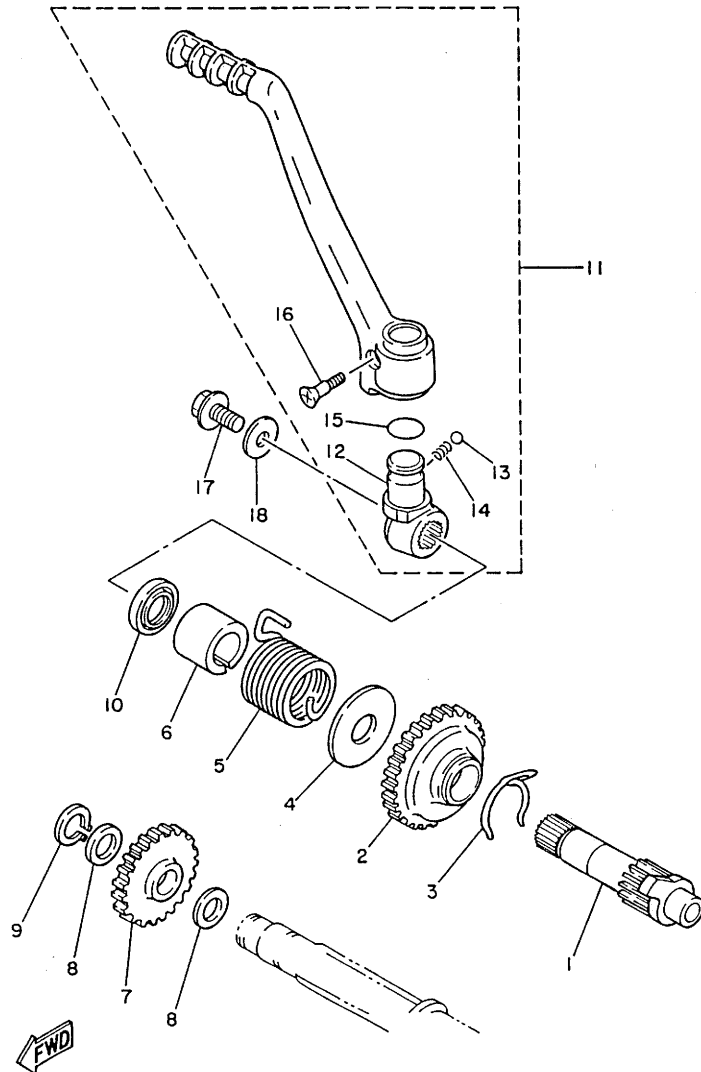
FIG. 10 CRANKCASE COVER 1

REF. NO.	PART NO.	DESCRIPTION	Q'TY	REMARKS
1	2VM-15411-00	COVER, crankcase 1	1	
2	2VM-15451-00	GASKET, crankcase cover 1	1	
3	92516-06030	SCREW, pan head	5	
4	92906-06600	WASHER, plate	5	
5	2VM-15421-00	COVER, crankcase 2	1	
6	95026-06012	BOLT, flange	2	
7	2VM-Y1543-02	COVER, crankcase 3	1	
8	2VM-15462-00	GASKET, crankcase cover 3	1	
9	99510-12016	PIN, dowel	2	
10	91316-06025	BOLT	7	
11	91316-06055	BOLT	1	
12	91316-06070	BOLT	1	
13	168-15362-00	PLUG, oil level	1	
14	93210-14104	O-RING	1	
15	92506-06008	SCREW, pan head	1	
16	90430-06016	GASKET	1	



3JE1010-9100

FIG. 11 STARTER



REF. NO.	PART NO.	DESCRIPTION	Q'TY	REMARKS
1	2VM-15661-00	AXLE, kick	1	
2	3R4-15641-00	GEAR, kick (26T)	1	
3	90468-26048	CLIP	1	
4	90201-20358	WASHER, plate	1	
5	90508-30743	SPRING, torsion	1	
6	2VM-15664-00	GUIDE, spring	1	
7	38V-15651-00	GEAR, kick idle (23T)	1	
8	90201-17545	WASHER, plate	2	
9	99009-17400	CIRCLIP	1	
10	93102-20309	OIL SEAL	1	
11	3JE-15620-00	KICK CRANK ASSY	1	
12	3JE-15621-00	.BOSS, kick crank	1	
13	93501-04011	.BALL	1	
14	90501-13720	.SPRING, compression	1	
15	93210-19216	.O-RING	1	
16	90152-06010	.SCREW, countersunk	1	
17	95021-08020	BOLT, flange	1	
18	90201-087A9	WASHER, plate	1	

3JE1010-9110

B14

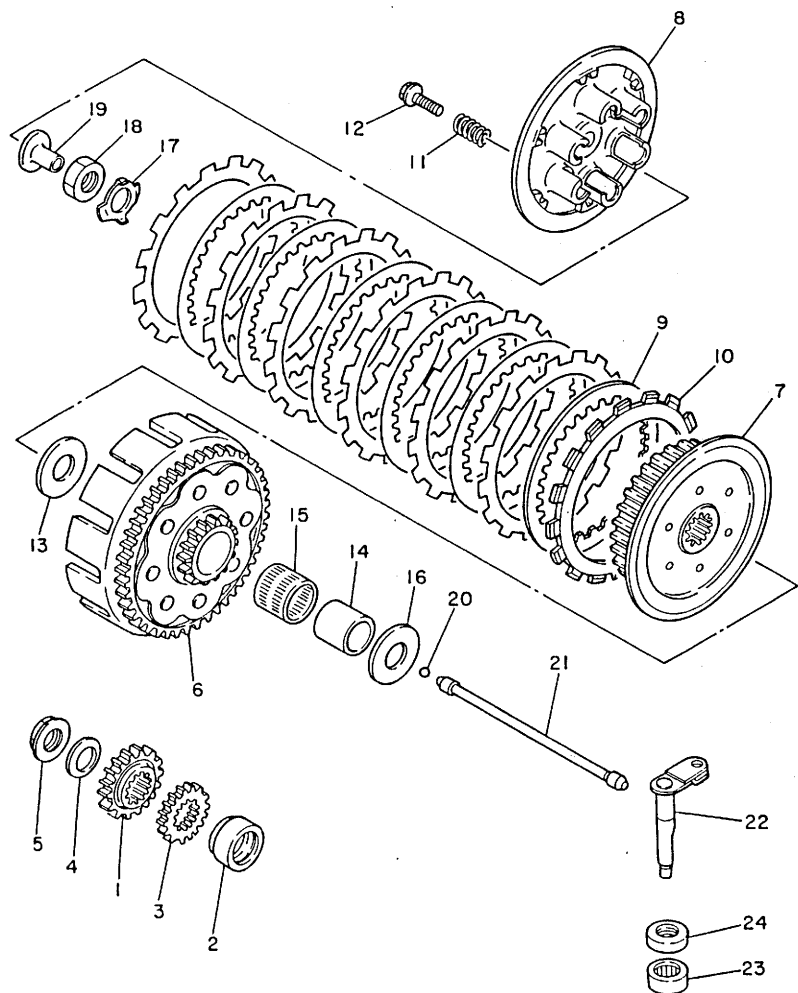


FIG. 12 CLUTCH

REF. NO.	PART NO.	DESCRIPTION	Q'TY	REMARKS
1	2VM-16111-00	GEAR, primary drive	1	
2	90387-252F6	COLLAR	1	
3	2VM-11956-00	CLIP	1	
4	90208-18025	WASHER, conical spring	1	
5	90179-18172	NUT	1	
6	2VM-16150-01	PRIMARY DRIVEN GEAR COMP.	1	
7	2VM-16371-00	BOSS, clutch	1	
8	2VM-16351-00	PLATE, pressure 1	1	
9	4X7-16325-00	PLATE, clutch 2	6	
10	22U-16321-00	PLATE, friction	7	
11	90501-23598	SPRING, compression	6	
12	90159-06016	SCREW, with washer	6	
13	2K7-16154-00	PLATE, thrust 1	1	
14	2VM-16181-00	SPACER 1	1	
15	93310-230T7	BEARING, cylindrical	1	
16	2K7-16154-00	PLATE, thrust 1	1	
17	90215-20231	WASHER, lock	1	
18	90170-20255	NUT	1	
19	2VM-16356-00	ROD, push 1	1	
20	93511-32027	BALL	1	
21	2VM-16357-00	ROD, push 2	1	
22	2VM-16381-00	PUSH LEVER COMP.	1	
23	93315-11206	BEARING, cylindrical	1	
24	93102-12224	OIL SEAL	1	



2VM100-8120

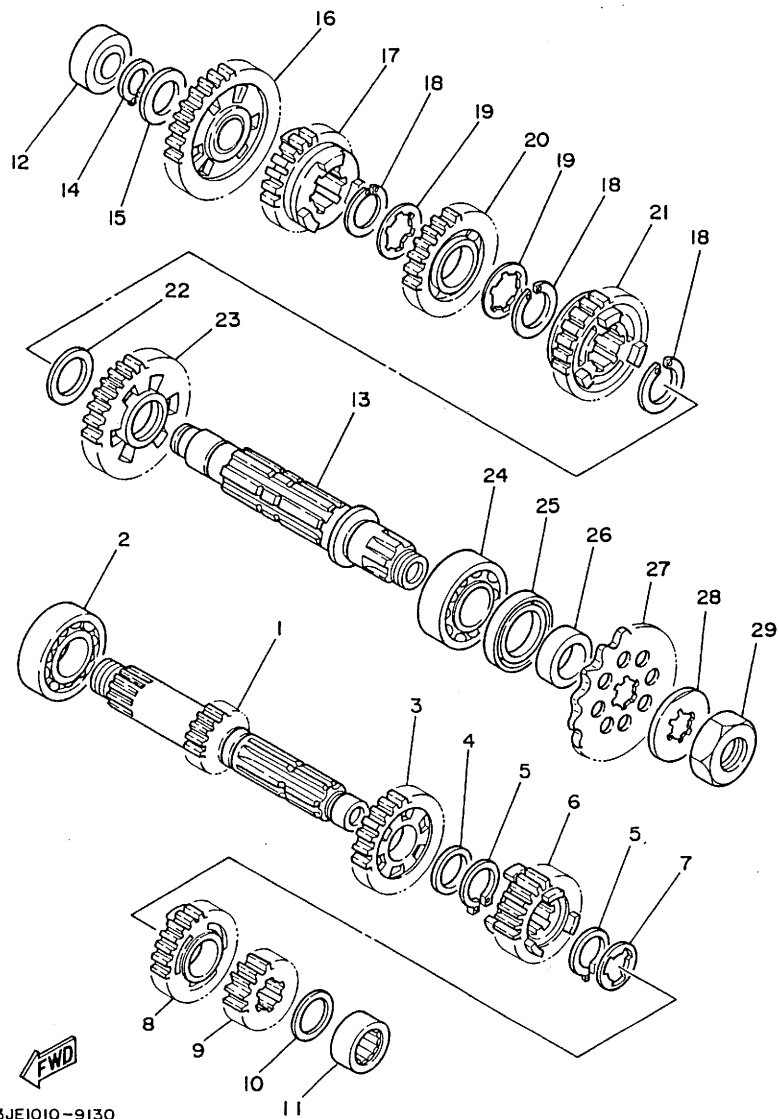


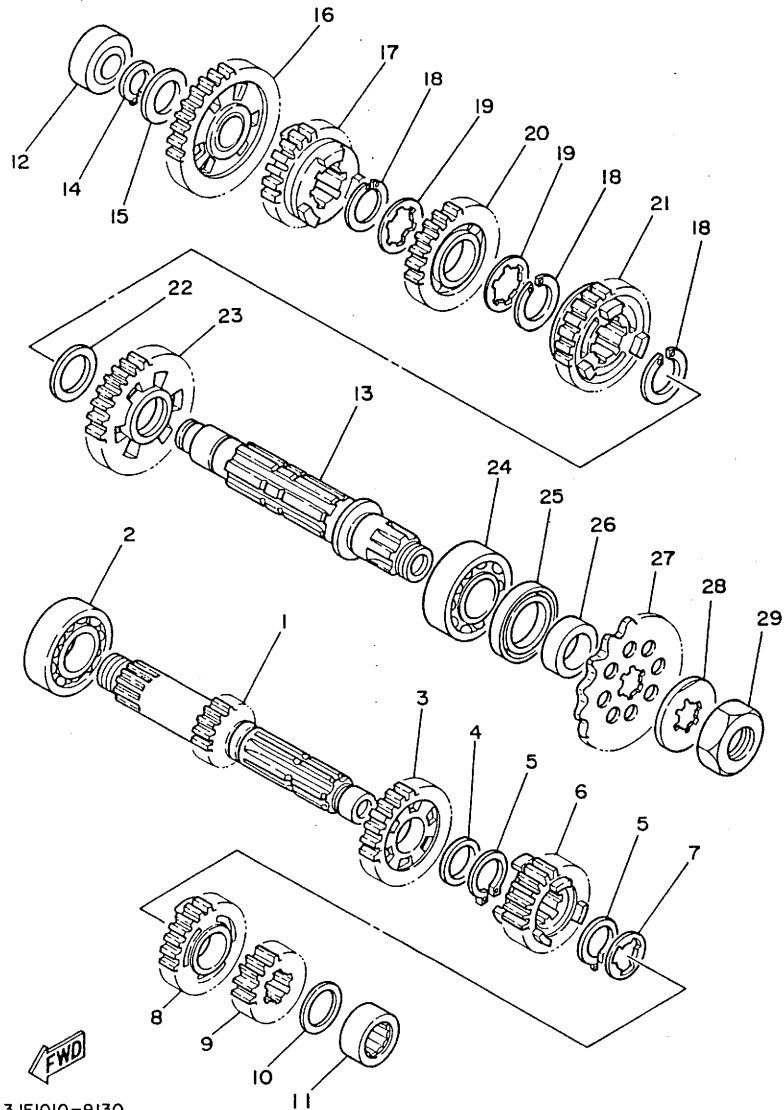
FIG. 13 TRANSMISSION

REF. NO.	PART NO.	DESCRIPTION	Q'TY	REMARKS
1	2VM-17411-00	AXLE, main (15T)	1	
2	93306-20540	BEARING	1	
3	2VM-17151-00	GEAR, 5th pinion (23T)	1	
4	90201-22555	WASHER, plate	1	
5	93410-22039	CIRCLIP	2	
6	2VM-17131-00	GEAR, 3rd pinion (16T)	1	
7	90209-18135	WASHER	1	
8	2VM-17141-00	GEAR, 4th pinion (19T)	1	
9	2VM-17121-00	GEAR, 2nd pinion (17T)	1	
10	90209-17235	WASHER	1	
11	93311-41734	BEARING, cylindrical	1	
12	93311-62035	BEARING, cylindrical	1	
13	2VM-17421-00	AXLE, drive	1	
14	93410-20038	CIRCLIP	1	
15	90201-20278	WASHER, plate	1	
16	2VM-17211-00	GEAR, 1st wheel (31T)	1	
17	2VM-17251-01	GEAR, 5th wheel (21T)	1	
18	93440-25084	CIRCLIP	3	
19	90209-22082	WASHER	2	
20	2VM-17231-00	GEAR, 3rd wheel (22T)	1	
21	2VM-17241-00	GEAR, 4th wheel (22T)	1	
22	90201-253K0	WASHER, plate	1	
23	2VM-17221-00	GEAR, 2nd wheel (29T)	1	
24	93306-20574	BEARING	1	
25	93102-32M07	OIL SEAL	1	
26	90387-25663	COLLAR	1	
27	93834-14049	SPROCKET, drive 14T (1W41746140)	1	STD
	93834-13030	SPROCKET, drive 13T (23X1746130)	1	AP

3JE1010-9130

C2

FIG. 13 TRANSMISSION



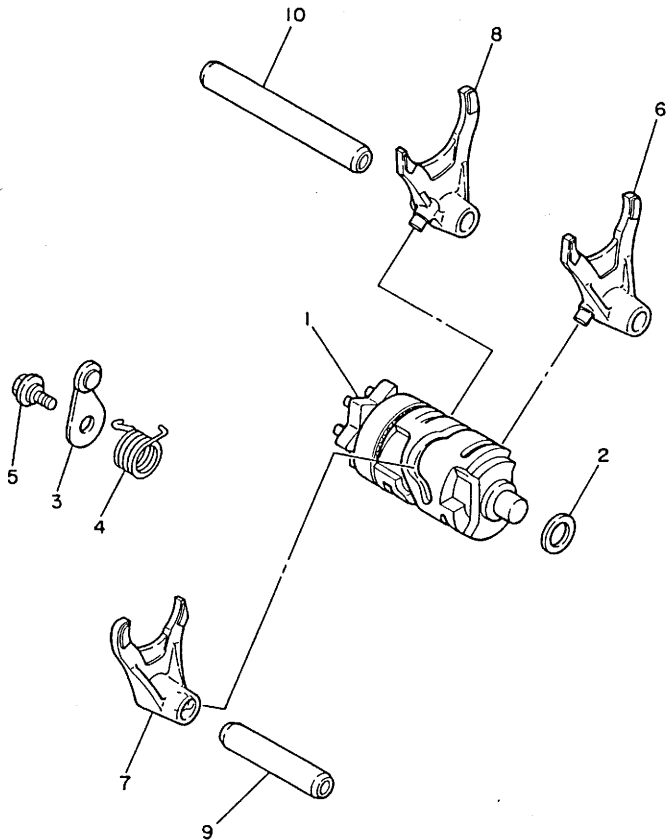
REF. NO.	PART NO.	DESCRIPTION	Q'TY	REMARKS
27	93834-15076	SPROCKET, drive 15T (23X1746150)	1	AP
28	90215-21239	WASHER, lock	1	
29	90179-20255	NUT	1	

3JE1010-9130

C3

FIG. 14 SHIFT CAM. FORK

REF. NO.	PART NO.	DESCRIPTION	Q'TY	REMARKS
1	2VM-18540-00	SHIFT CAM ASSY	1	
2	90201-12166	WASHER, plate	1	
3	22W-18140-00	STOPPER LEVER ASSY	1	
4	90508-26561	SPRING, torsion	1	
5	50W-21631-00	BOLT 1	1	
6	2VM-18511-00	FORK, shift 1	1	
7	2VM-18512-00	FORK, shift 2	1	
8	2VM-18513-00	FORK, shift 3	1	
9	1LX-18531-00	BAR, shift fork guide 1	1	
10	34K-18535-00	BAR, shift fork guide 2	1	



2VM100-8140

C4

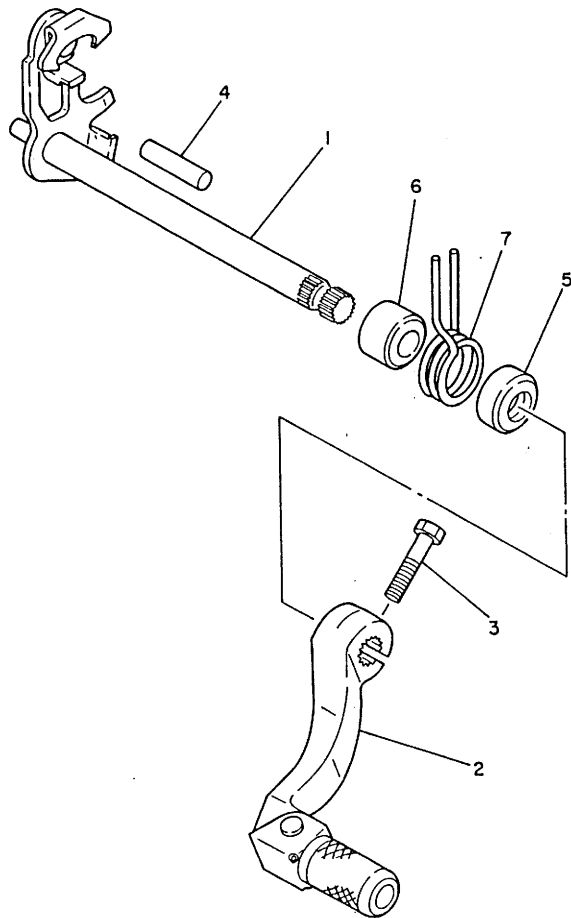
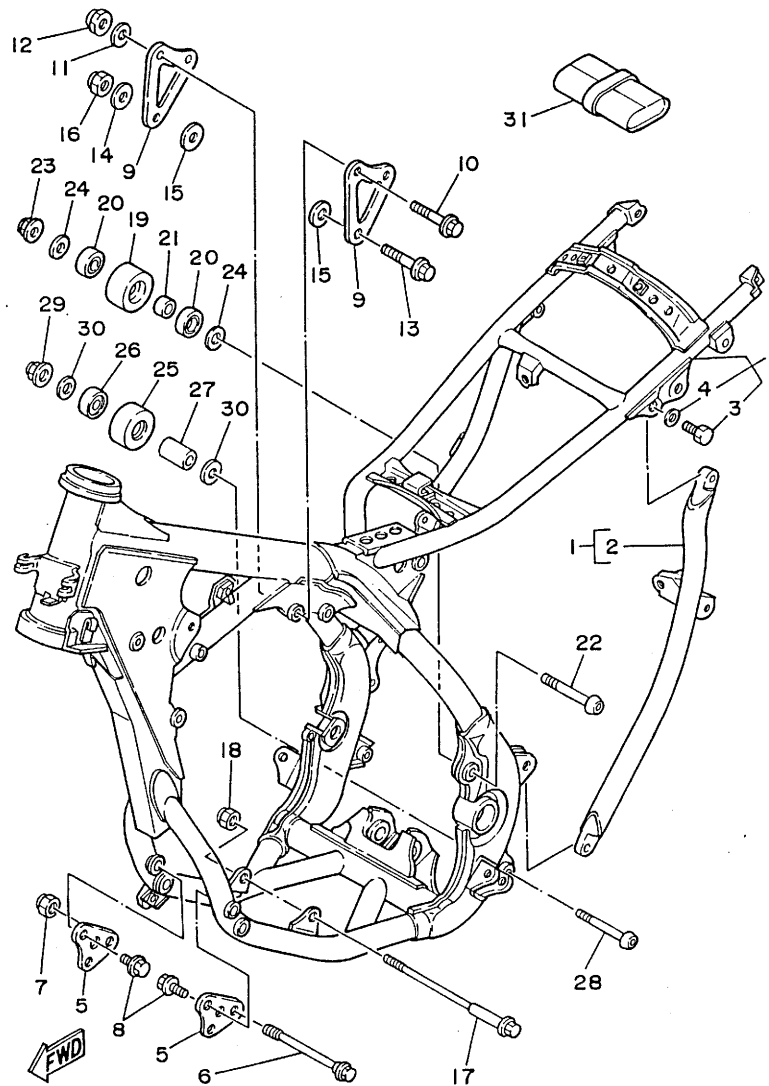


FIG. 15 SHIFTER

REF. NO.	PART NO.	DESCRIPTION	Q'TY	REMARKS
1	2VM-18101-00	SHIFT SHAFT ASSY	1	
2	2VM-18110-00	SHIFT PEDAL ASSY	1	
3	98021-06025	BOLT	1	
4	93608-33046	PIN, dowel	1	
5	93102-12106	OIL SEAL (SD 12-22-5 HS)	1	
6	90560-12171	SPACER	1	
7	90508-29742	SPRING, torsion	1	



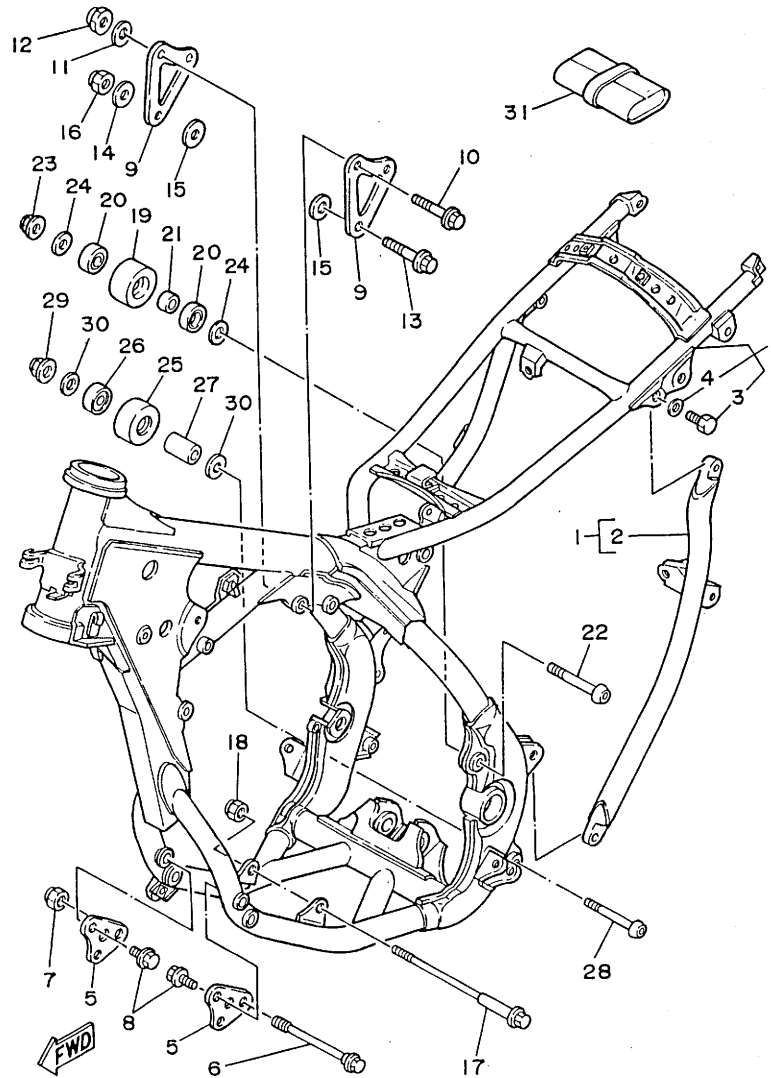
2VM100-8150



3JE1010-9160

FIG. 16 FRAME

REF. NO.	PART NO.	DESCRIPTION	Q'TY	REMARKS
1	3JE-21110-00-UJ	FRAME COMP.	1	RADICAL WHITE
2	3JE-21123-00-UJ	.BACK, stay (L.H)	1	RADICAL WHITE
3	90101-08461	.BOLT	2	
4	90201-080E2	.WASHER, plate	2	
5	24Y-21415-00	BRACKET, front upper 1	2	
6	90105-08498	BOLT, washer based	1	
7	95611-08200	NUT, self-locking	1	
8	91011-08040	BOLT, flange	4	
9	2VM-21425-00	BRACKET, rear upper 1	2	
10	91011-08055	BOLT, flange	2	
11	90202-08022	WASHER, plate	2	
12	95601-08200	NUT, self-locking	2	
13	91011-10055	BOLT, flange	1	
14	92990-10200	WASHER, plain	1	
15	90201-101J1	WASHER, plate	2	
16	95601-10200	NUT, self-locking	1	
17	91011-10120	BOLT, flange	1	
18	95611-10200	NUT, self-locking	1	
19	3JD-22178-00	TENSIONER	1	
20	93300-60816	BEARING	2	
21	90387-087K5	COLLAR	1	
22	92011-08070	SCREW	1	
23	95602-08200	NUT, self-locking	1	
24	90201-081A6	WASHER, plate	2	
25	3JD-22178-10	TENSIONER	1	
26	93300-60816	BEARING	1	
27	90387-086N4	COLLAR	1	
28	92011-08070	SCREW	1	



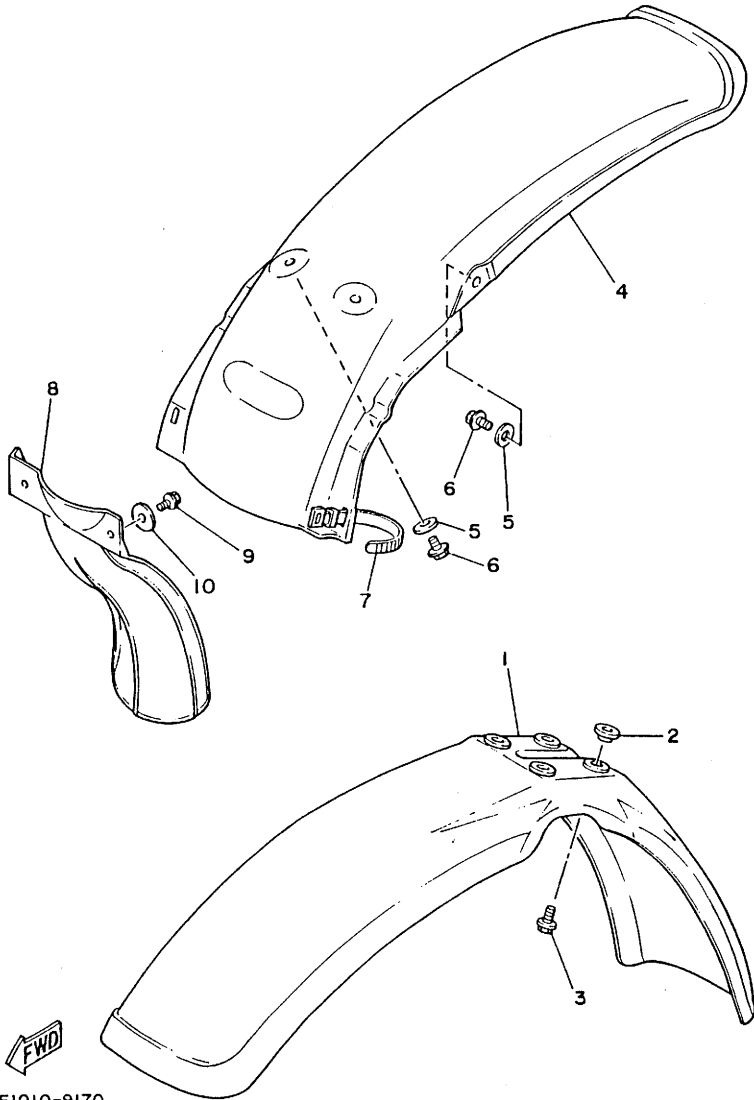
3JE1010-9160

FIG. 16 FRAME

REF. NO.	PART NO.	DESCRIPTION	Q'TY	REMARKS
29	95602-08200	NUT, self-locking	1	
30	90201-081A6	WASHER, plate	2	
31	1LX-28100-00	TOOL KIT	1	

FIG. 17 FENDER

REF. NO.	PART NO.	DESCRIPTION	Q'TY	REMARKS
1	3JE-21511-00	FENDER, front	1	
2	3JD-21748-00	COLLAR	4	
3	90119-06063	BOLT, with washer	4	
4	1LX-21611-00	FENDER, rear	1	WHITE
5	90201-06571	WASHER, plate	4	
6	90105-06553	BOLT, washer based	4	
7	437-83936-00	BAND, switch cord	1	
8	39X-21642-00	GUARD, flap	1	
9	95023-06010	BOLT, flange	2	
10	90201-06571	WASHER, plate	2	



3JE1010-9170

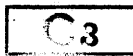
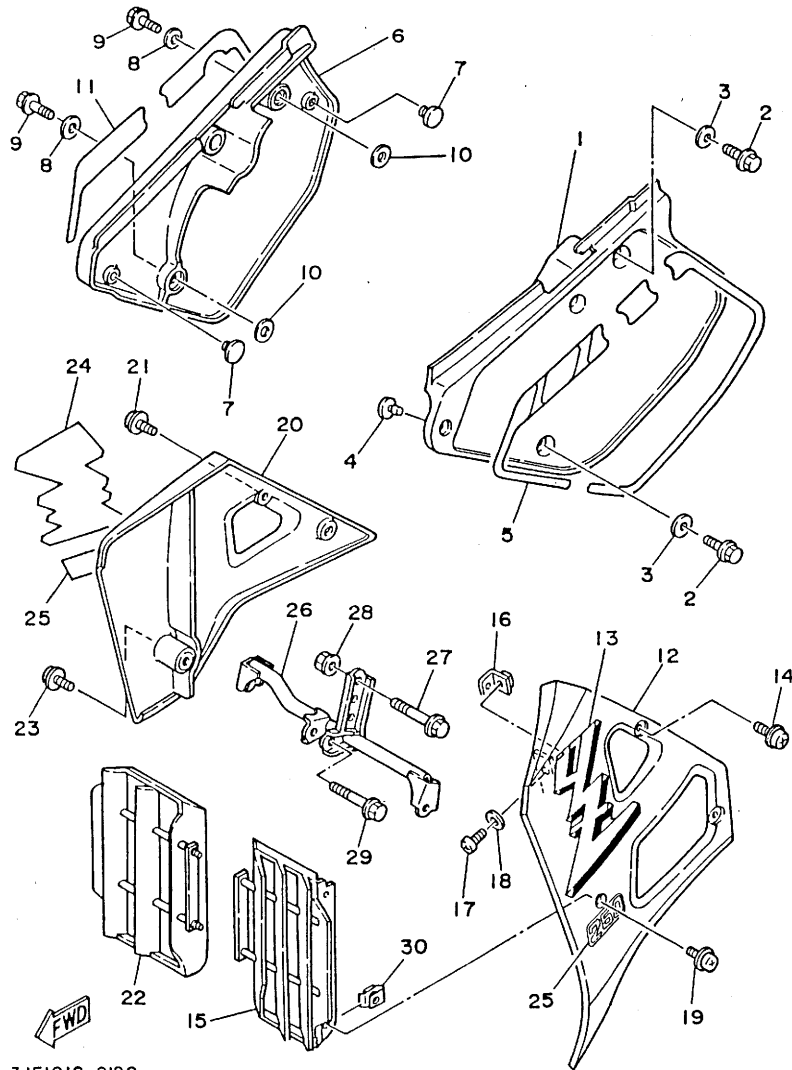


FIG. 18 SIDE COVER



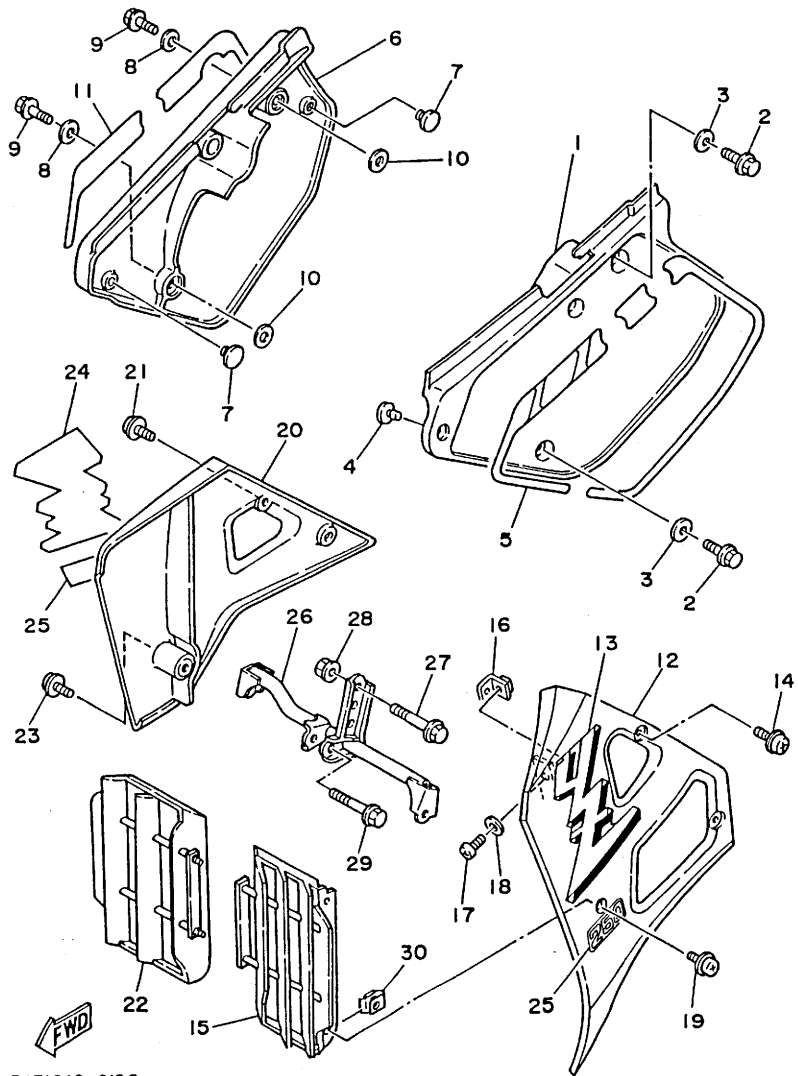
3JE1010-9180

REF. NO.	PART NO.	DESCRIPTION	Q'TY	REMARKS
1	3JD-21711-00	COVER, side 1	1	
2	95023-06012	BOLT, flange	2	
3	90201-06571	WASHER, plate	2	
4	22W-24181-00	DAMPER, locating 1	1	
5	3JD-2173L-00	GRAPHIC SET 1	1	
6	2VM-21721-00	COVER, side 2	1	
7	22W-24181-00	DAMPER, locating 1	2	
8	90201-06571	WASHER, plate	2	
9	95023-06012	BOLT, flange	2	
10	92901-08200	WASHER, plain	2	
11	3JD-2174L-00	GRAPHIC SET 2	1	
12	2VM-21731-00	COVER, side 3	1	
13	3JD-24244-00	GRAPHIC, fuel tank 1	1	
14	90159-06173	SCREW, with washer	2	
15	24Y-2172A-00	PANEL 1	1	
16	2VM-2172K-00	BRACKET 1	1	
17	98501-05016	SCREW, pan head	1	
18	92990-05200	WASHER, plain	1	
19	90159-05172	SCREW, with washer	2	
20	2VM-21741-00	COVER, side 4	1	
21	90159-06173	SCREW, with washer	2	
22	24Y-2172A-00	PANEL 1	1	
23	90159-05172	SCREW, with washer	2	
24	3JD-24245-00	GRAPHIC, fuel tank 2	1	
25	3JE-24254-00	GRAPHIC, fuel tank 7	2	
26	3JE-2174F-00	GUARD, radiator	1	
27	95811-08055	BOLT, flange	1	
28	95701-08500	NUT, flange	1	

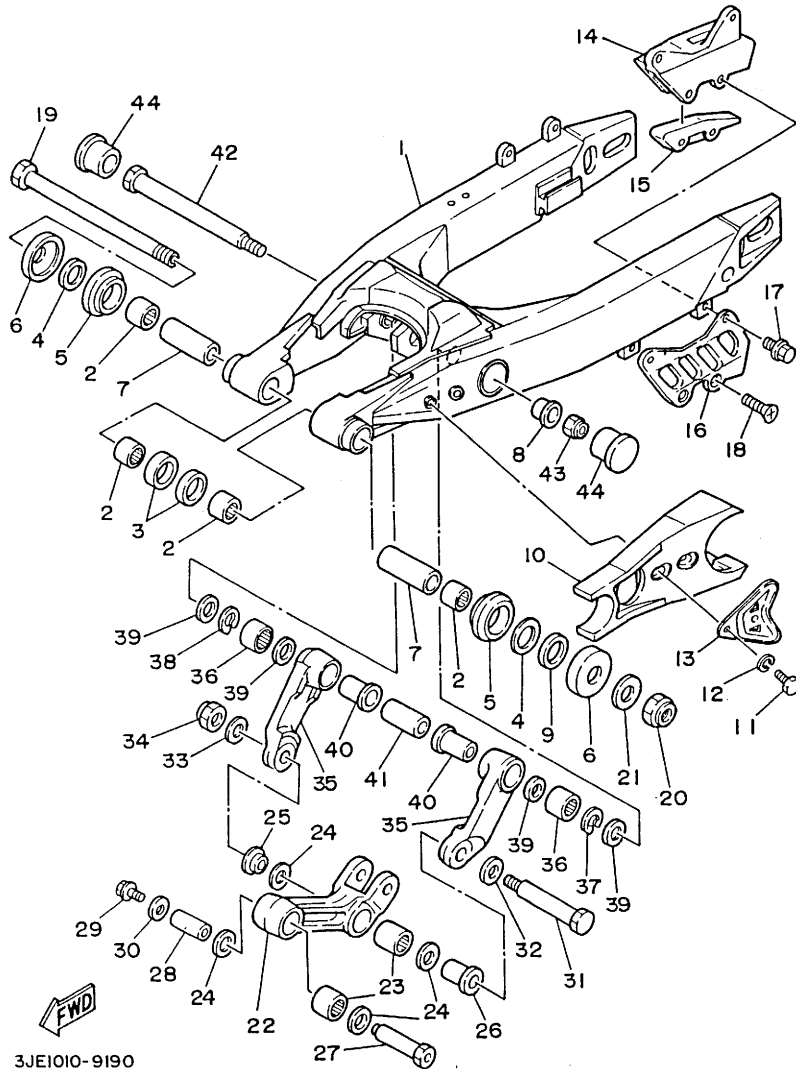
C9

FIG. 18 SIDE COVER

REF. NO.	PART NO.	DESCRIPTION	Q'TY	REMARKS
29	95021-08060	BOLT, flange	1	
30	22W-21791-00	NUT	4	



3JE1010-9180



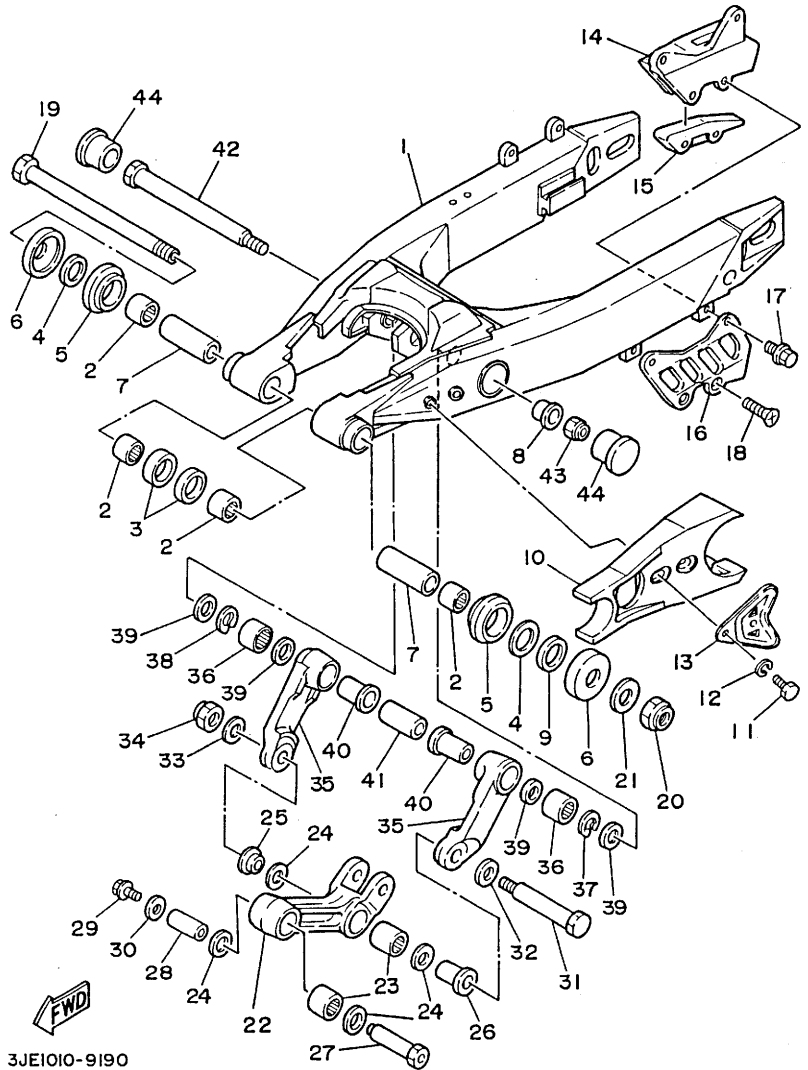
3JE1010-9190

FIG. 19 REAR ARM

REF. NO.	PART NO.	DESCRIPTION	Q'TY	REMARKS
1	3JE-22110-00	REAR ARM COMP.	1	
2	93317-22262	BEARING, cylindrical	4	UR
	93317-22263	BEARING, cylindrical	4	UR
3	93106-22019	OIL SEAL (DC 22-28-8)	2	
4	93342-22208	BEARING	2	
5	93108-35004	OIL SEAL (35-41-8)	2	
6	3R4-22129-00	COVER, thrust 2	2	
7	90380-16158	BUSH, solid	2	
8	90381-16060	BUSH, solid	1	
9	156-22127-00	SHIM (0.3T)	1	UN
10	3JD-22151-00	SEAL, guard	1	
11	97001-06020	BOLT	2	
12	92990-06100	WASHER, spring	2	
13	3JD-22156-00	WASHER, plate	1	
14	3JD-22199-00	SUPPORT, chain	1	
15	3JD-22147-00	PROTECTOR, chain	1	
16	3JD-22128-00	COVER, thrust 1	1	
17	91001-06020	BOLT, flange	2	
18	92701-06035	SCREW, flat head	2	
19	1LX-22141-00	SHAFT, pivot	1	
20	90185-16127	NUT, self-locking	1	
21	90201-164H4	WASHER, plate	1	
22	2VM-2217A-00	ARM, relay	1	
23	93315-22046	BEARING, cylindrical	2	
24	93109-20029	OIL SEAL	4	
25	90387-164N2	COLLAR	1	
26	90387-164N3	COLLAR	1	
27	90179-10544	NUT	1	

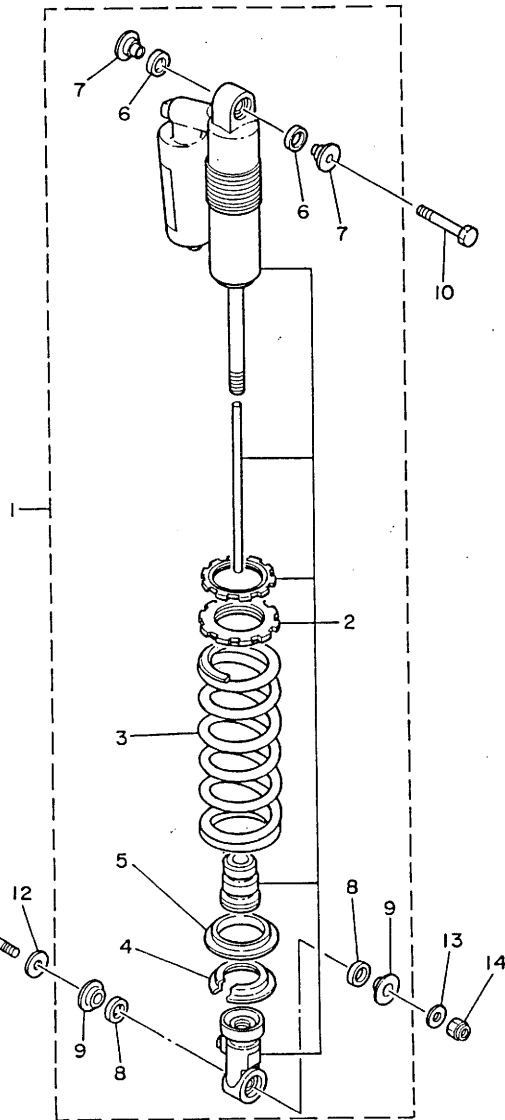
FIG. 19 REAR ARM

REF. NO.	PART NO.	DESCRIPTION	Q'TY	REMARKS
28	90387-167R5	COLLAR	1	
29	91011-10016	BOLT, flange	1	
30	90201-106F2	WASHER, plate	1	
31	90109-142F4	BOLT	1	
32	90201-164H4	WASHER, plate	1	
33	90201-14740	WASHER, plate	1	
34	90185-14070	NUT, self-locking	1	
35	2VM-2217F-00	ROD, connecting 1	2	
36	93315-22045	BEARING (YT202720E01)	2	IKO
37	93450-28063	CIRCLIP	1	
38	93450-28063	CIRCLIP	1	
39	93109-20029	OIL SEAL	4	
40	90387-164N3	COLLAR	2	
41	90387-167R4	COLLAR	1	
42	90109-145E5	BOLT	1	
43	95601-14200	NUT, self-locking	1	
44	1HX-2135F-00	COVER	2	



3JE1010-9190

FIG. 20 REAR SUSPENSION

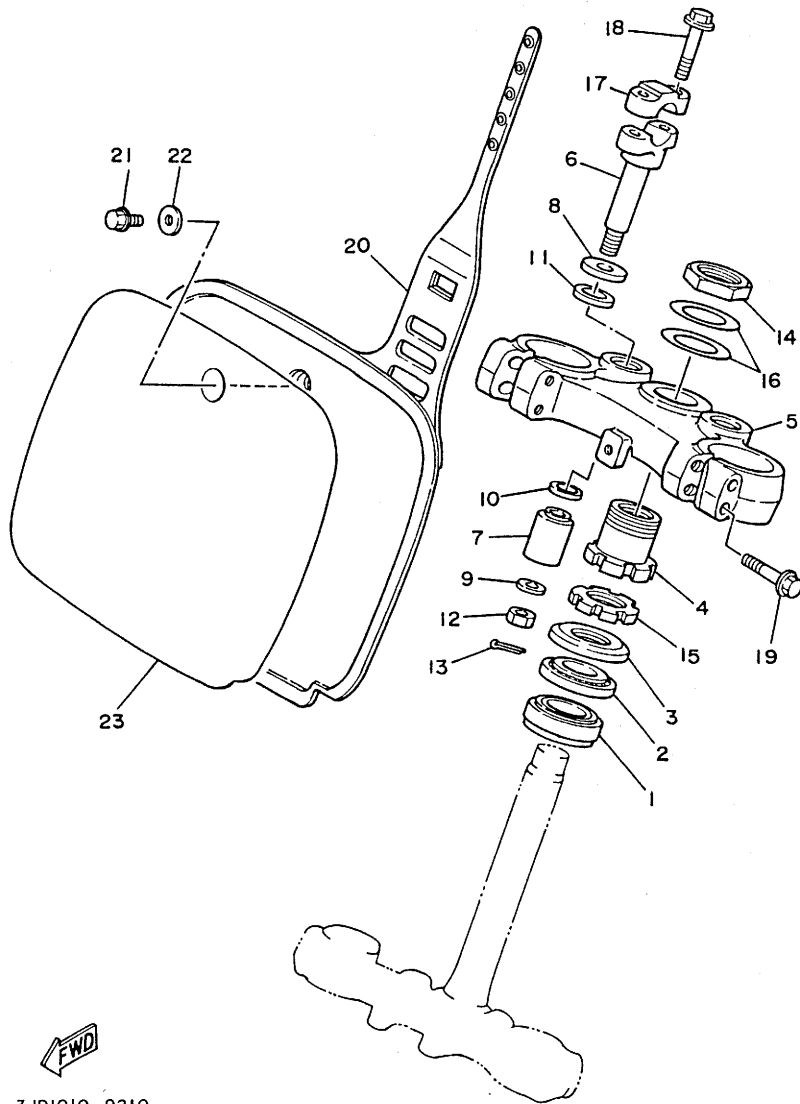


3JE1010-9200

REF. NO.	PART NO.	DESCRIPTION	Q'TY	REMARKS
1	3JE-22210-00-33	SHOCK ABSORBER ASSY, rear	1	YAMAHA BLACK
2	3JE-22201-00	.DAMPER SUB ASSY	1	
3	3JE-22212-30-33	.SPRING (K=5.2)	1	YAMAHA BLACK
4	3JD-22214-00	.GUIDE, spring 1	1	
5	3JD-22224-00	.GUIDE, spring 2	1	
6	3JD-22475-00	.SEAL, dust	2	
7	3JD-22253-00	.COLLAR, distance	2	
8	3JD-22475-00	.SEAL, dust	2	
9	3JE-22253-00	.COLLAR, distance	2	
10	3JD-22241-00	BOLT 1	1	
11	90109-102E6	BOLT	1	
12	90201-120E6	WASHER, plate	1	
13	90201-100E9	WASHER, plate	1	
14	90185-10120	NUT, self-locking	1	

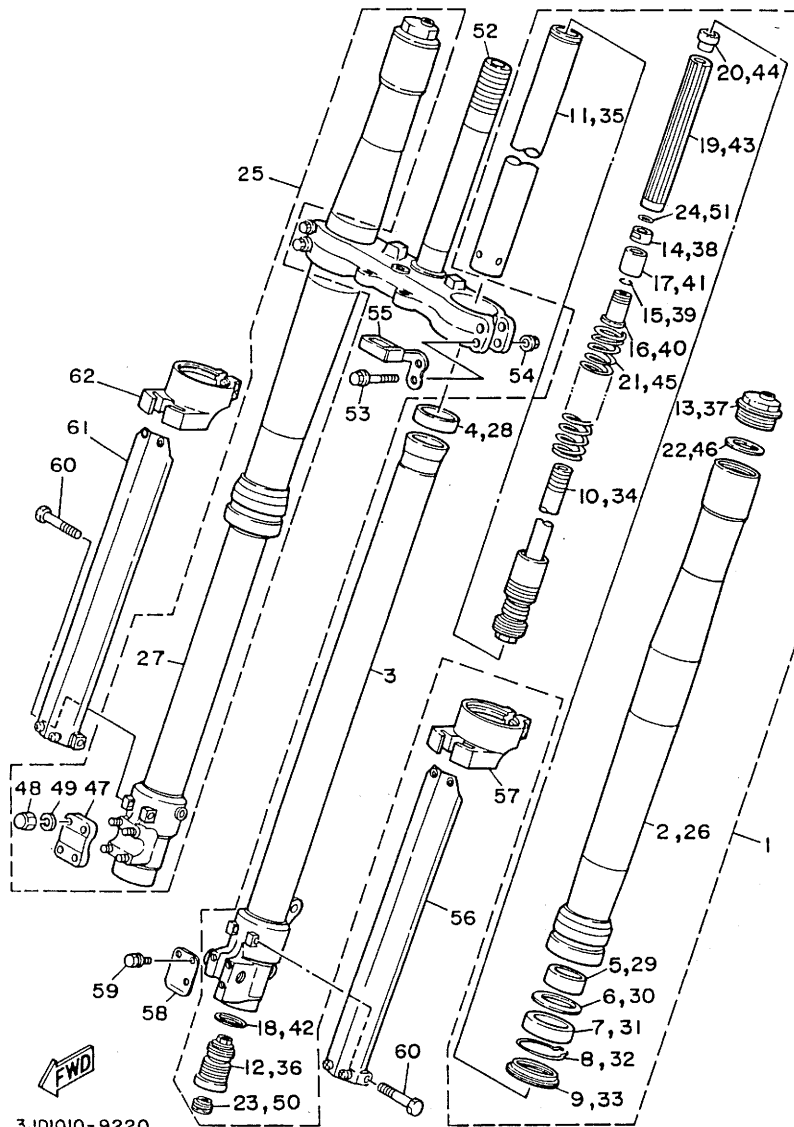
FIG. 21 STEERING

REF. NO.	PART NO.	DESCRIPTION	Q'TY	REMARKS
1	93332-00067	BEARING	1	
2	93332-00068	BEARING	1	
3	2HG-23416-00	COVER, ball race 2	1	
4	90179-36582	NUT	1	
5	3JD-23435-00-98	CROWN, handle	1	LOW GLOSS BLACK
6	1E6-23442-00	HOLDER, handle lower	2	
7	307-22123-00	BUSH 1	2	
8	90201-123E8	WASHER, plate	2	
9	90201-100A1	WASHER, plate	2	
10	90387-121E8	COLLAR	2	
11	90202-14077	WASHER, plate	2	
12	90185-10037	NUT, self-locking	2	
13	91401-20020	PIN, cotter	2	
14	90170-36382	NUT	1	
15	90179-28583	NUT	1	
16	90201-365M5	WASHER, plate	2	
17	1E6-23441-00	HOLDER, handle upper	2	
18	95021-08035	BOLT, flange	4	
19	95021-08050	BOLT, flange	4	
20	5X6-23485-11	PLATE, number	1	CLEAN WHITE
21	95023-06012	BOLT, flange	1	
22	90201-06571	WASHER, plate	1	
23	2VN-23395-00	EMBLEM	1	



3JD1010-9210

FIG. 22 FRONT FORK



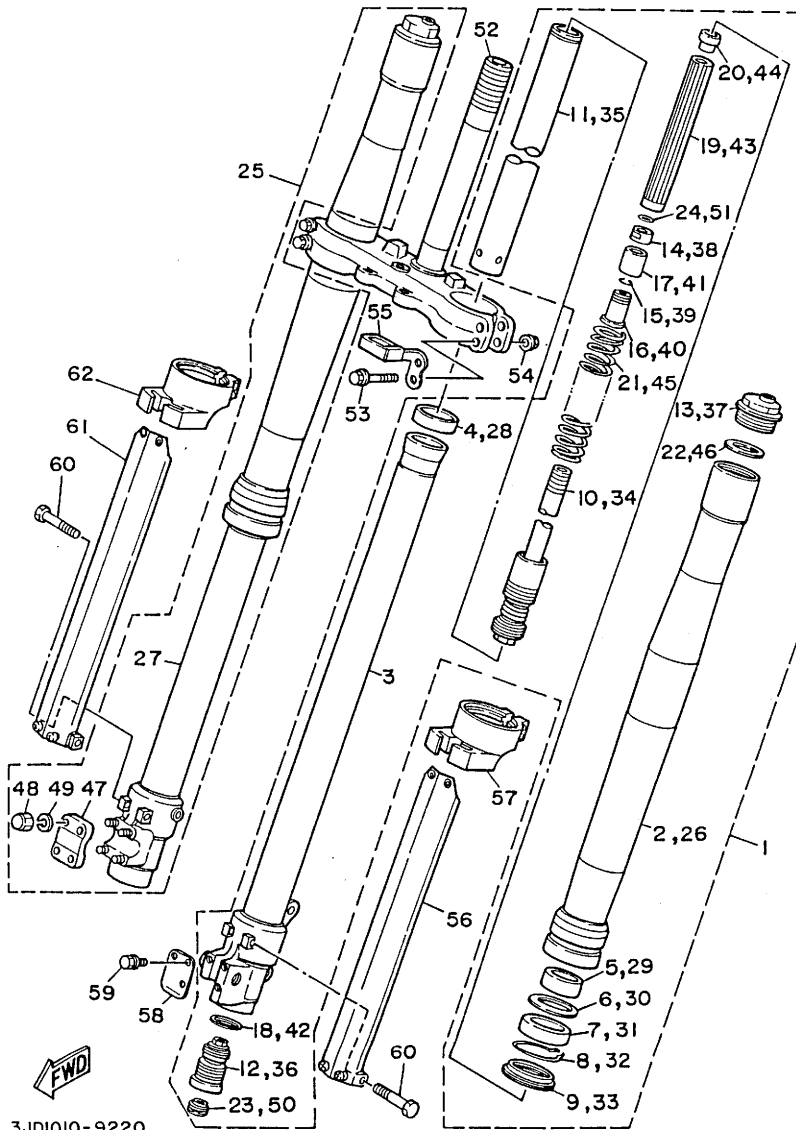
3JD1010-9220

REF. NO.	PART NO.	DESCRIPTION	Q'TY	REMARKS
1	3JE-23102-LO	FRONT FORK ASSY (L.H)	1	
2	3JD-23136-LO	.TUBE, outer 2	1	
3	3JD-23120-LO	.INNER TUBE COMP.2	1	
4	3JD-23171-LO	.PISTON, front fork	1	
5	3JD-23125-LO	.METAL, slide 1	1	
6	36Y-23146-10	.WASHER, oil seal	1	
7	3JD-23145-LO	.OIL SEAL	1	
8	26H-23156-00	.CLIP, oil seal	1	
9	3JD-23144-LO	.SEAL, dust	1	
10	3JE-2314A-LO	.PISTON ROD ASSY	1	
11	3JD-23170-LO	.CYLINDER COMP., front fork	1	
12	3JE-2316A-LO	.VALVE COMP.	1	
13	3JD-23111-LO	.BOLT, cap	1	
14	3JD-23393-LO	.NUT, special	1	
15	3JD-23153-LO	.RING, snap	1	
16	3JD-23113-LO	.COLLAR	1	
17	3JD-23166-LO	.SPACER, oil lock	1	
18	3JD-23158-LO	.GASKET	1	
19	3JD-23142-LO	.SEAT, spring upper	1	
20	3JD-23357-LO	.NUT	1	
21	3JE-23141-LO	.SPRING, front fork (K=0.380)	1	
22	3JD-23146-LO	.WASHER, oil seal	1	
23	3JD-2312G-LO	.PLUG	1	
24	3JD-23147-LO	.O-RING	1	
25	3JE-23103-LO	FRONT FORK ASSY (R.H)	1	
26	3JD-23136-LO	.TUBE, outer 2	1	
27	3JD-23110-LO	.INNER TUBE COMP.1	1	
28	3JD-23171-LO	.PISTON, front fork	1	

C15

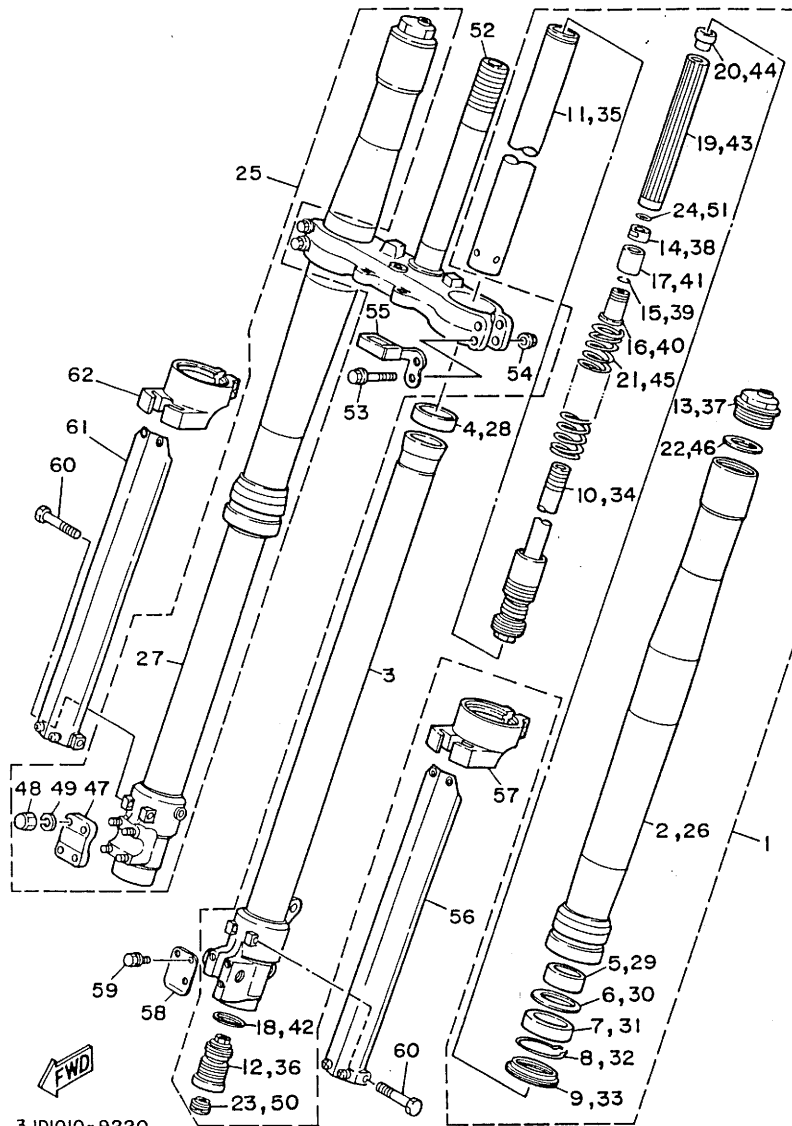
FIG. 22 FRONT FORK

REF. NO.	PART NO.	DESCRIPTION	Q'TY	REMARKS
29	3JD-23125-L0	.METAL, slide 1	1	
30	36Y-23146-10	.WASHER, oil seal	1	
31	3JD-23145-L0	.OIL SEAL	1	
32	26H-23156-00	.CLIP, oil seal	1	
33	3JD-23144-L0	.SEAL, dust	1	
34	3JE-2314A-L0	.PISTON ROD ASSY	1	
35	3JD-23170-L0	.CYLINDER COMP., front fork	1	
36	3JE-2316A-L0	.VALVE COMP.	1	
37	3JD-23111-L0	.BOLT, cap	1	
38	3JD-23393-L0	.NUT, special	1	
39	3JD-23153-L0	.RING, snap	1	
40	3JD-23113-L0	.COLLAR	1	
41	3JD-23166-L0	.SPACER, oil lock	1	
42	3JD-23158-L0	.GASKET	1	
43	3JD-23142-L0	.SEAT, spring upper	1	
44	3JD-23357-L0	.NUT	1	
45	3JE-23141-L0	.SPRING, front fork (K=0.380)	1	
46	3JD-23146-L0	.WASHER, oil seal	1	
47	4V2-23167-L0	.HOLDER, axle	1	
48	5Y3-23393-00	.NUT, special	4	
49	92990-06100	.WASHER, spring	4	
50	3JD-23126-L0	.PLUG	1	
51	3JD-23147-L0	.O-RING	1	
52	3JD-23340-L0	UNDER BRACKET COMP.	1	
53	95811-08060	BOLT, flange	4	
54	95701-08500	NUT, flange	4	
55	3JD-23389-00	GUIDE, cable	1	
56	3JD-2314H-L0	PROTECTOR COMP., 1	1	



3JD1010-9220

FIG. 22 FRONT FORK

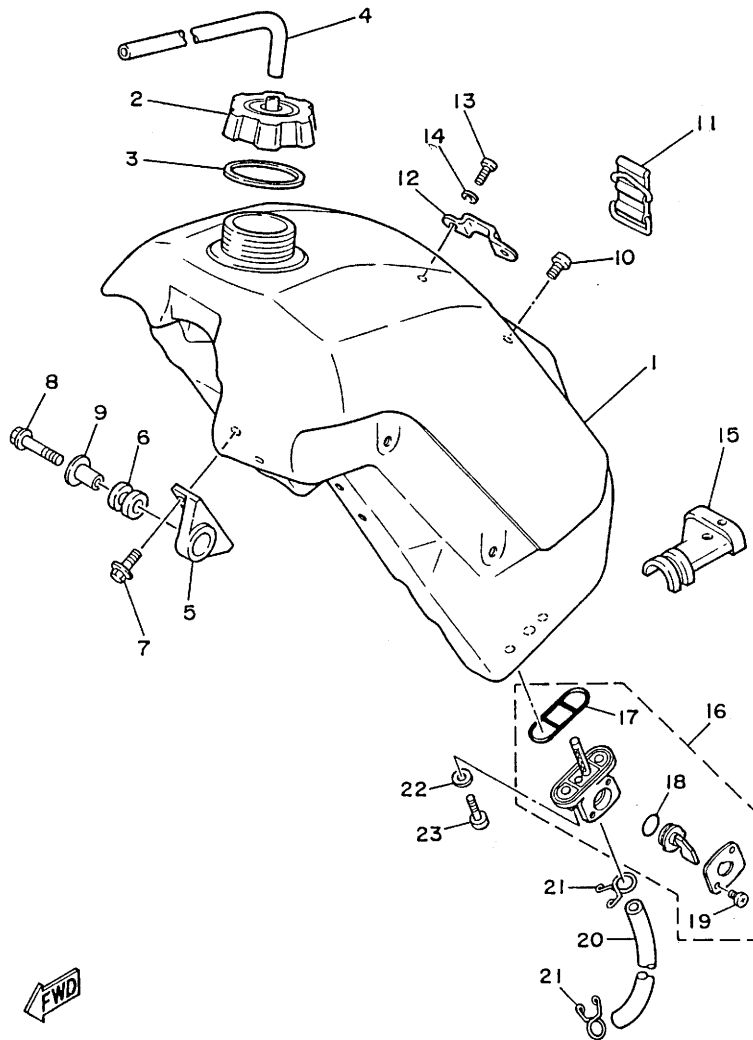


3JD1010-9220

REF. NO.	PART NO.	DESCRIPTION	Q'TY	REMARKS
57	3JD-2314F-L0	PROTECTOR GUIDE COMP., 1	1	
58	3JD-2314E-L0	COVER, hose	1	
59	3JD-23346-L0	BOLT 1	3	
60	3JD-23356-L0	BOLT 2	2	
61	3JD-2314J-L0	PROTECTOR COMP., 2	1	
62	3JD-2314G-L0	PROTECTOR GUIDE COMP., 2	1	

D3

FIG. 23 FUEL TANK

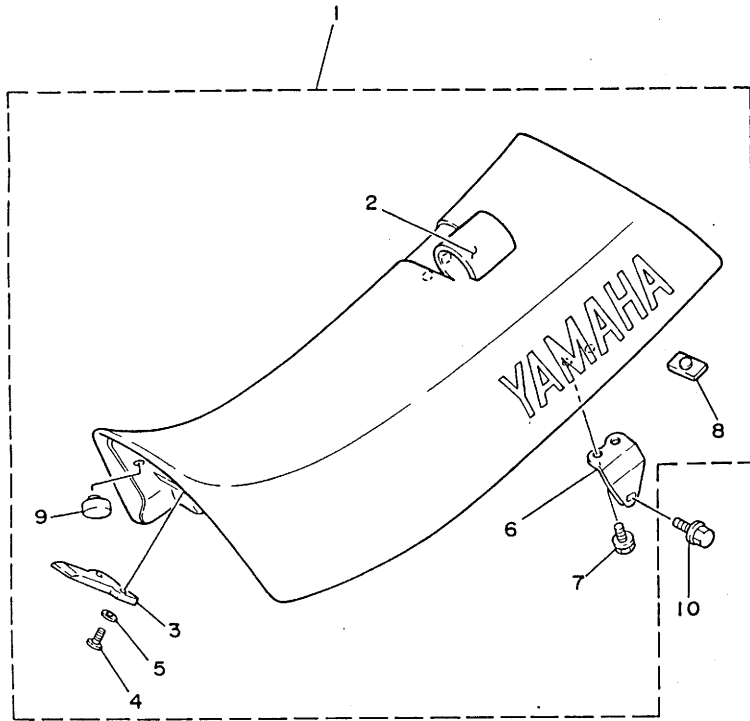


REF. NO.	PART NO.	DESCRIPTION	Q'TY	REMARKS
1	2VM-24110-00	FUEL TANK COMP.	1	
2	5X7-24611-01	BODY, cap	1	
3	5X7-24612-00	GASKET, cap	1	
4	90445-09100	HOSE	1	
5	24X-24144-00	HOLDER, damper	2	
6	90480-18354	GROMMET	2	
7	95023-06016	BOLT, flange	4	
8	95021-06035	BOLT, flange	2	
9	3JD-24186-00	WASHER, special	2	
10	98980-06020	SCREW, bind	1	
11	59V-24173-00	BAND, tank fitting 1	1	
12	5X6-2412F-00	BRACKET, seat	1	
13	92501-06012	SCREW, pan head	2	
14	92990-06100	WASHER, spring	2	
15	1LX-24181-00	DAMPER, locating 1	1	
16	3JD-24500-00	FUEL COCK ASSY 1	1	
17	4X8-24512-00	.O-RING	1	
18	4X8-24534-00	.SEAL, cock	1	
19	97801-03008	.SCREW, pan head	2	
20	90445-112E9	HOSE	1	
21	90467-10008	CLIP	2	
22	90202-06010	WASHER, plate	2	
23	90149-06011	SCREW	2	



3JE1010-9230

FIG. 24 SEAT



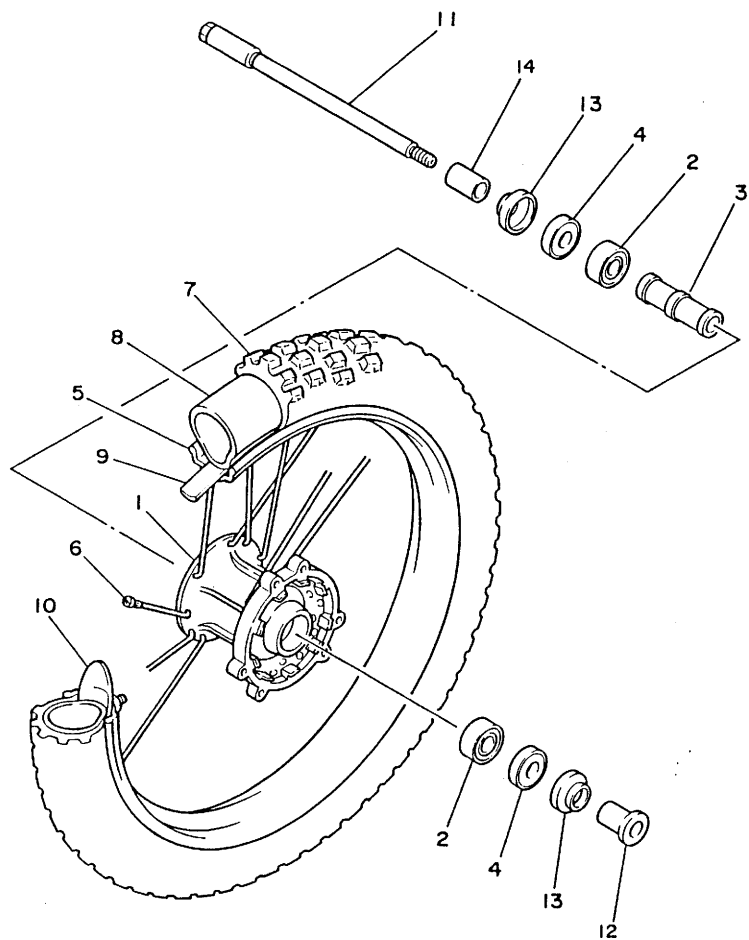
REF. NO.	PART NO.	DESCRIPTION	Q'TY	REMARKS
1	3JD-24770-00	SEMI-DOUBLE SEAT ASSY	1	
2	3JD-24731-00	.COVER, seat	1	
3	5X6-24748-10	.BRACKET, seat	1	
4	92501-06012	.SCREW, pan head	2	
5	92901-06200	.WASHER, plain	2	
6	1LX-24738-01	.BRACKET, seat	2	
7	95023-06012	.BOLT, flange	4	
8	509-24724-00	.DAMPER, seat	1	
9	107-24741-00	.PAD, seat	2	
10	95023-08016	BOLT, flange	2	



ILX010-6240

D5

FIG. 25 FRONT WHEEL



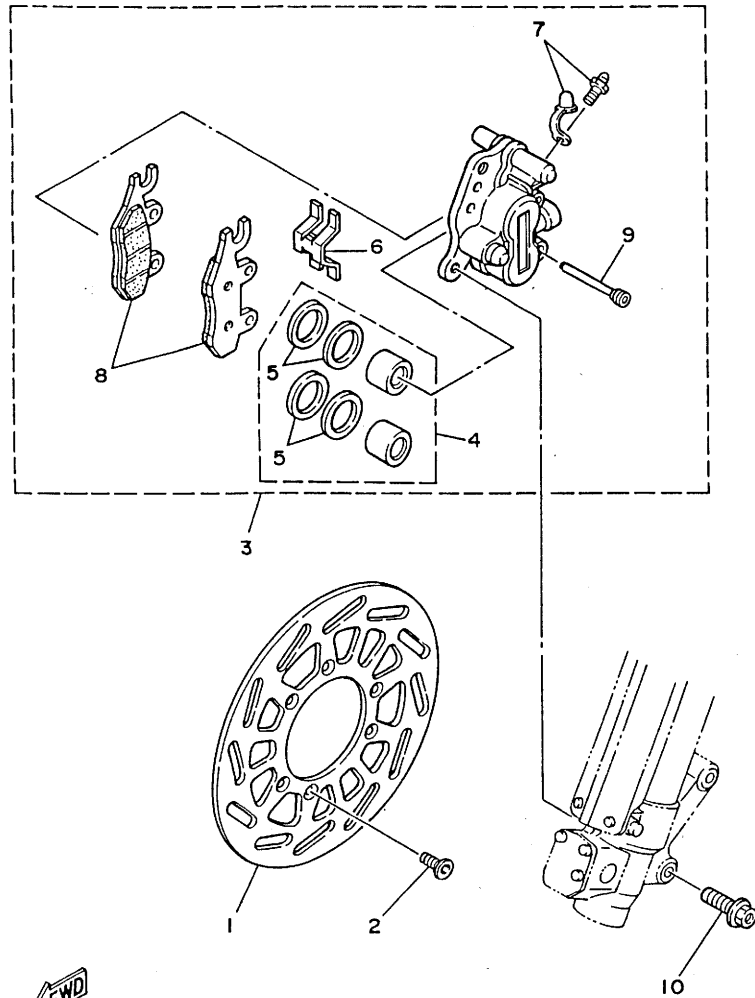
REF. NO.	PART NO.	DESCRIPTION	Q'TY	REMARKS
1	2HH-25111-00-98	HUB, front	1	LOW GLOSS BLACK
2	93306-20209	BEARING (B6202)	2	
3	90560-15352	SPACER	1	
4	93102-20281	OIL SEAL (SD 20-35-5)	2	
5	94416-21453	RIM (1.60-21)	1	
6	1LX-25104-00	SPOKE SET, front	1	
7	94108-216U5	TIRE (80/100-21 51M D704F P)	1	UR DUNLOP FOR U.S.A., CANADA
	94110-210U0	TIRE (051M 80/100-21 M51)	1	UR BRIDGESTONE FOR OCEANIA, S.AFRICA, OTHERS
8	94227-21123	TUBE (2.75-21)	1	UR BRIDGESTONE FOR U.S.A., CANADA
	94209-21229	TUBE (80/100C-21 TR4)	1	UR BRIDGESTONE FOR OCEANIA, S.AFRICA, OTHERS
9	94307-21145	BAND, rim (70-80/100-21)	1	UR DUNLOP FOR U.S.A., CANADA
	94330-21084	BAND, rim (3.00-21)	1	UR BRIDGESTONE FOR OCEANIA, S.AFRICA, OTHERS
10	2J5-25394-01	SPACER, bead	1	
11	55U-25181-00	AXLE, wheel	1	
12	90387-152V1	COLLAR	1	
13	322-25118-00	COVER, hub dust	2	
14	90387-151V9	COLLAR	1	



2HH100-7250

D6

FIG. 26 FRONT BRAKE CALIPER



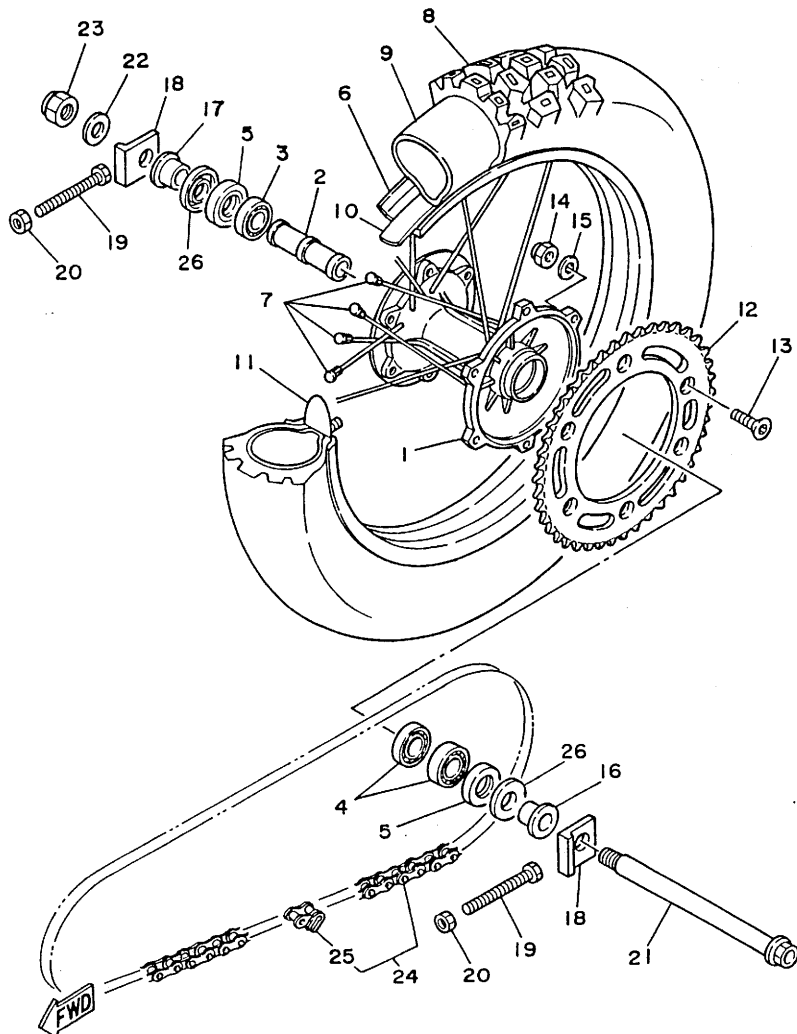
REF. NO.	PART NO.	DESCRIPTION	Q'TY	REMARKS
1	3JD-2582T-00	DISC, brake (LEFT)	1	
2	90149-06272	SCREW	6	
3	3JD-25810-00	CALIPER ASSY	1	
4	3JD-W0057-00	.PISTON ASSY, caliper	1	
5	3JD-W0047-00	..CALIPER SEAL KIT	1	
6	3JD-25919-00	.SUPPORT, pad	1	
7	1UY-W0048-50	.BREED SCREW KIT	1	
8	3JD-W0045-00	.BRAKE PAD KIT	1	
9	3GD-25933-00	.PIN, pad	2	
10	91011-08035	BOLT, flange	2	



3JD1010-9260

D7

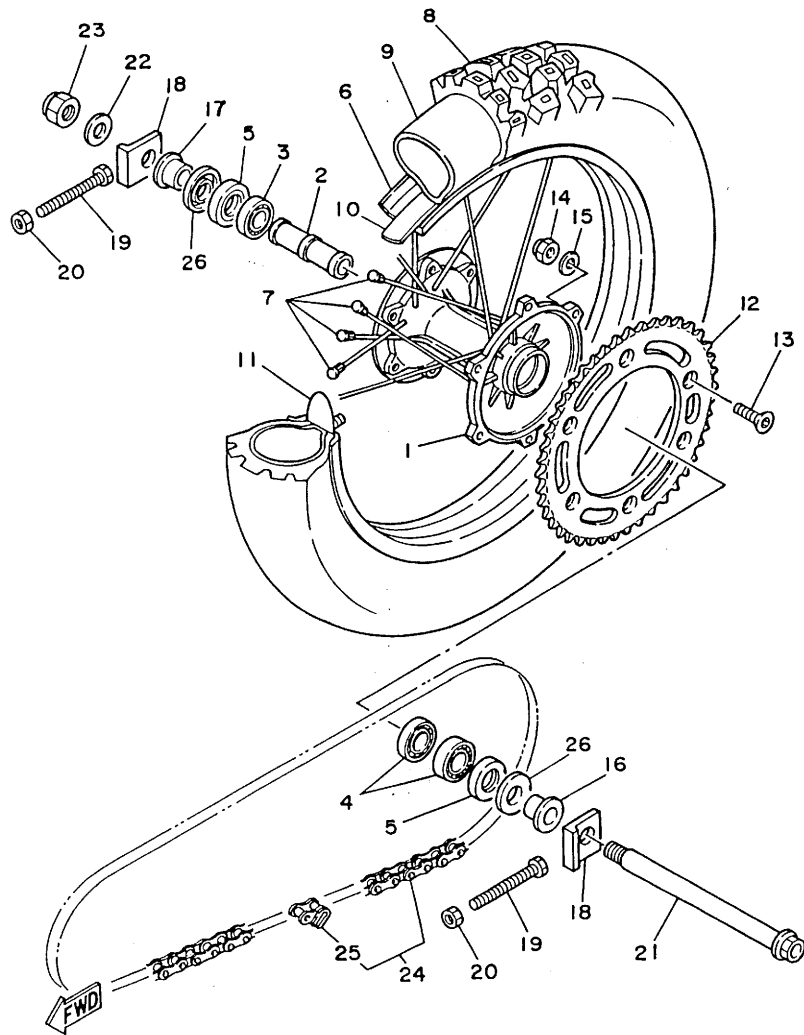
FIG. 27 REAR WHEEL



3JD1010-9270

REF. NO.	PART NO.	DESCRIPTION	Q'TY	REMARKS
1	2VN-25311-00-98	HUB, rear	1	LOW GLOSS BLACK
2	3JD-25317-00	SPACER, bearing	1	
3	93306-00418	BEARING	1	
4	93306-00438	BEARING	2	
5	93106-28023	OIL SEAL	2	
6	94421-19484	RIM (2.15-19)	1	
7	3JD-25304-00	SPOKE SET, rear	1	
8	94111-196U3	TIRE (110/90-19 62M D704 P)	1	UR DUNLOP FOR U.S.A., CANADA
	94110-190U1	TIRE (062M 110/90-19 M52)	1	UR BRIDGESTONE FOR OCEANIA, S.AFRICA, OTHERS
9	94211-19273	TUBE (110/90 110/100-19TR4)	1	UR DUNLOP FOR U.S.A., CANADA
	94211-19274	TUBE (MCS 110/90-19 TR4)	1	UR BRIDGESTONE FOR OCEANIA, S.AFRICA, OTHERS
10	94311-19155	BAND, rim (110/90 110/100-19)	1	UR DUNLOP FOR U.S.A., CANADA
	94321-19157	BAND, rim (2.15-19)	1	UR BRIDGESTONE FOR OCEANIA, S.AFRICA, OTHERS
11	3JE-25394-00	SPACER, bead	2	
12	2HH-25449-00	SPROCKET, driven (49T)	1	STD
	39W-25444-00	SPROCKET, driven (44T)	1	AP
	39W-25445-00	SPROCKET, driven (45T)	1	AP
	39W-25446-00	SPROCKET, driven (46T)	1	AP
	39W-25448-00	SPROCKET, driven (48T)	1	AP
	39W-25450-00	SPROCKET, driven (50T)	1	AP
	39W-25452-00	SPROCKET, driven (52T)	1	AP
13	90109-08792	BOLT	6	
14	95611-08100	NUT, u	6	
15	90201-081A6	WASHER, plate	6	
16	90387-203V0	COLLAR	1	
17	90387-202V9	COLLAR	1	
18	3JD-25388-00	PULLER, chain 1	2	
19	90101-08699	BOLT	2	

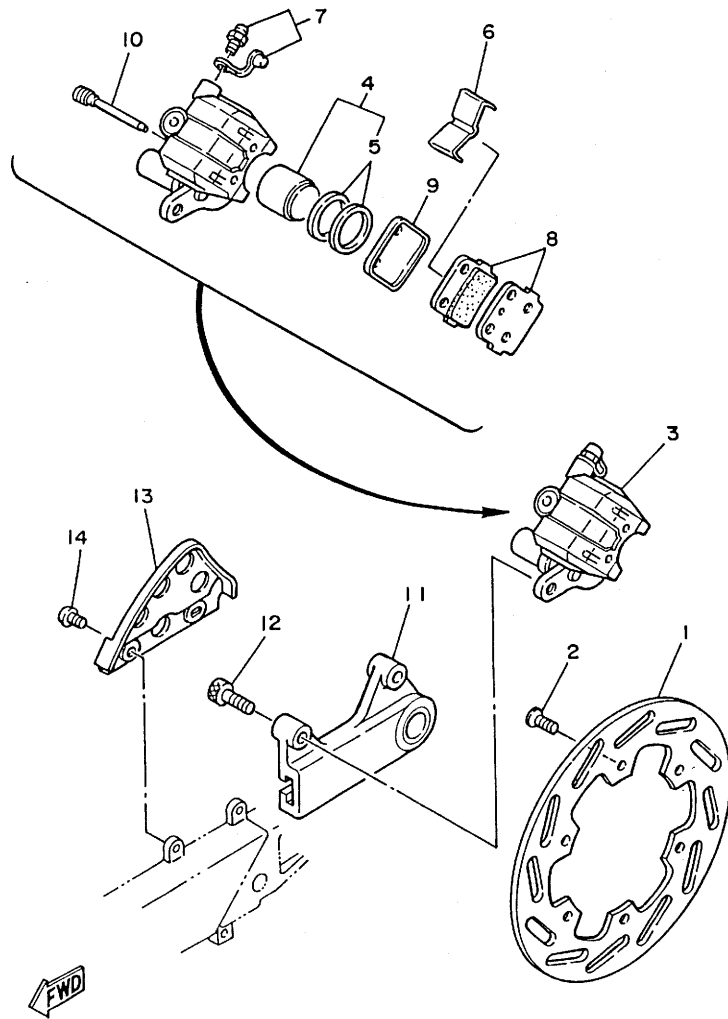
FIG. 27 REAR WHEEL



3JD1010-9270

REF. NO.	PART NO.	DESCRIPTION	Q'TY	REMARKS
20	95303-08700	NUT	2	
21	3JD-25381-00	AXLE, wheel	1	
22	92990-18600	WASHER	1	
23	90185-18104	NUT, self-locking	1	
24	94585-20114	CHAIN, drive (DID520DS 114L)	1	
25	94685-20001	.JOINT, chain (D.I.D 520DS)	1	
26	4V4-25367-00	COVER, hub dust	2	

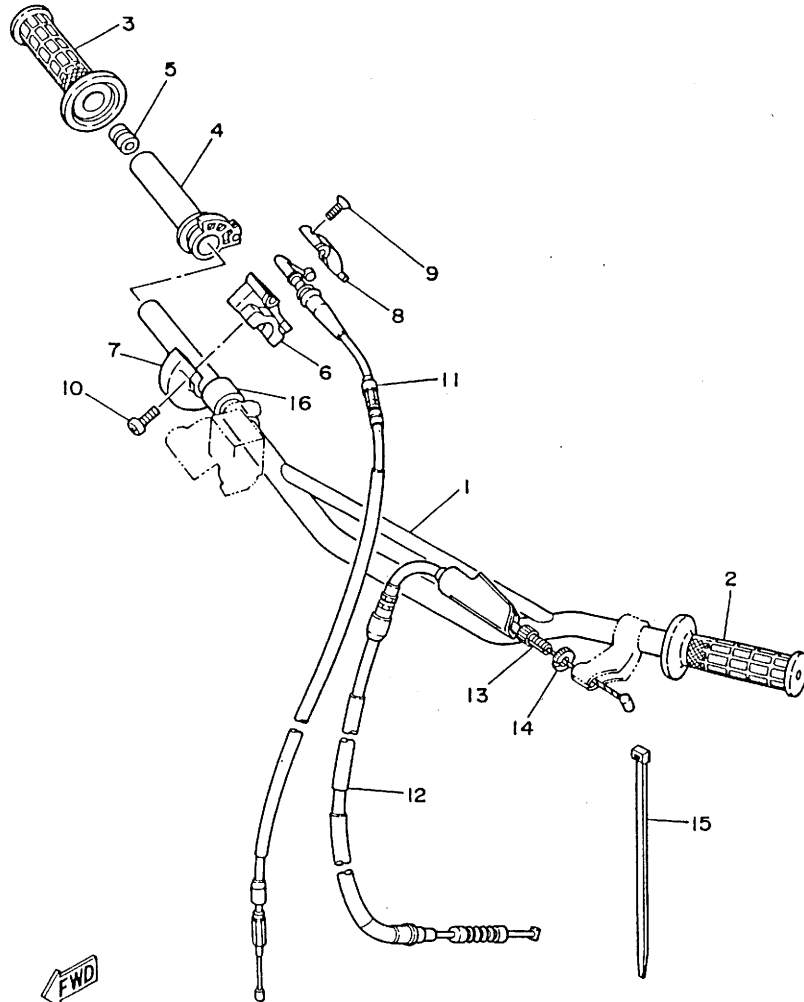
FIG. 28 REAR BRAKE CALIPER



REF. NO.	PART NO.	DESCRIPTION	Q'TY	REMARKS
1	3JD-2582W-00	DISC, rear brake 2	1	
2	90149-06272	SCREW	6	
3	3JD-2580W-00	CALIPER ASSY, rear 2	1	
4	3JD-W0057-50	.PISTON ASSY, caliper	1	
5	3JD-W0047-50	..CALIPER SEAL KIT	1	
6	1UY-25919-51	.SUPPORT, pad	1	
7	1UY-W0048-50	.BREED SCREW KIT	1	
8	3JD-W0046-00	.BRAKE PAD KIT, rear	1	
9	3GD-25827-00	.SHIM, caliper	1	
10	3GD-25933-00	.PIN, pad	2	
11	3JD-25920-00	SUPT. BRKT. ASSY.	1	
12	91311-08020	BOLT	2	
13	3JD-27491-00	PROTECTOR	1	
14	92011-06012	SCREW	2	

3JD1010-9280

FIG. 29 STEERING HANDLE. CABLE



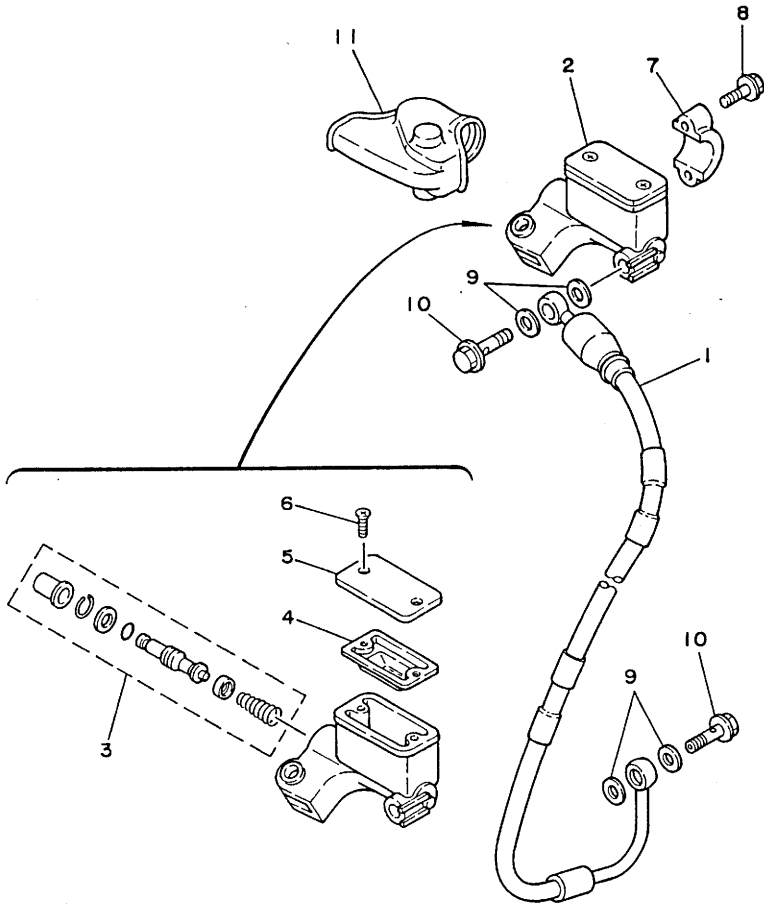
REF. NO.	PART NO.	DESCRIPTION	Q'TY	REMARKS
1	3JD-26111-10	HANDLEBAR	1	
2	1LX-26241-01	GRIP (L.H)	1	
3	1LX-26242-01	GRIP (R.H)	1	
4	23X-26243-00	TUBE, throttle guide	1	
5	688-82535-00	GROMMET	1	
6	23X-26281-00	CAP, grip upper	1	
7	431-26282-01-98	CAP, grip lower	1	LOW GLOSS BLACK
8	5X2-2628H-01	CAP, wire	1	
9	98706-04012	SCREW, flat head	2	
10	98506-05016	SCREW, pan head	2	
11	3JD-26311-00	CABLE, throttle 1	1	
12	3JE-26335-00	CABLE, clutch	1	
13	90123-08090	BOLT	1	
14	90179-08401	NUT	1	
15	90465-13154	CLAMP	1	
16	90560-22281	SPACER	1	

3JE1010-9290

D11

FIG. 30 FRONT MASTER CYLINDER

REF. NO.	PART NO.	DESCRIPTION	Q'TY	REMARKS
1	3JD-25872-00	HOSE, brake 1	1	
2	3JD-25870-00	MASTER CYLINDER SUB ASSY	1	
3	56A-W0041-00	.CYLINDER KIT, master	1	
4	56A-25854-00	.DIAPHRAGM, reservoir	1	
5	2VN-25852-00	.CAP, reservoir	1	
6	98706-04012	.SCREW, flat head	2	
7	56A-25867-00	BRACKET, master cylinder	1	
8	95026-06025	BOLT, flange	2	
9	90201-10118	WASHER, plate	4	
10	90401-10034	BOLT, union	2	
11	56A-26372-00	COVER, handle lever 1	1	

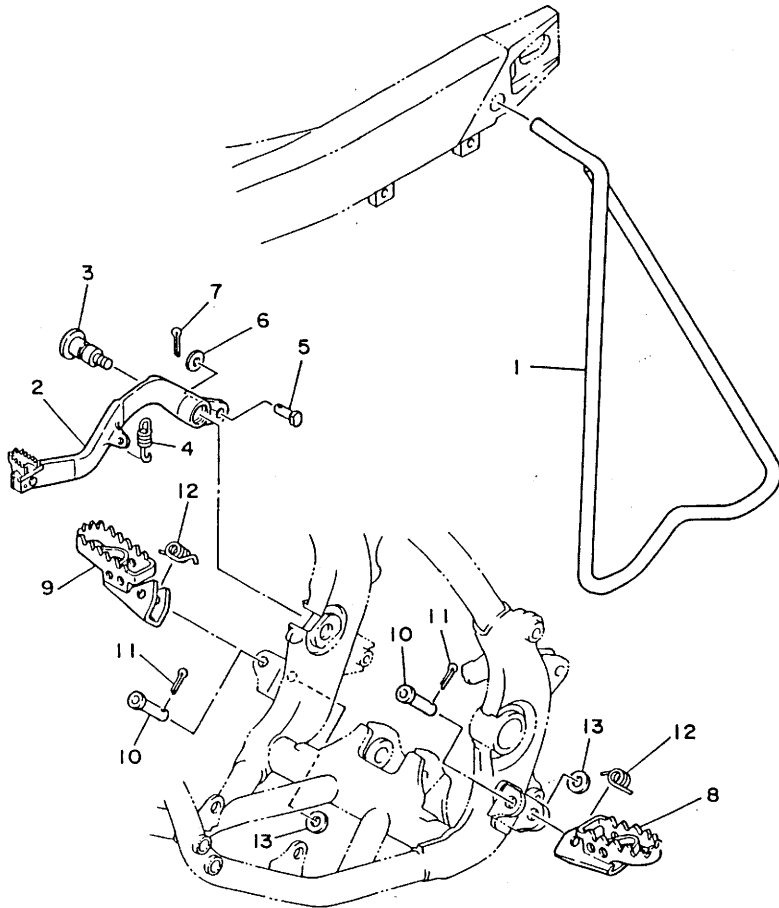


3JD1010-9300

D12

FIG. 31 STAND. FOOTREST

REF. NO.	PART NO.	DESCRIPTION	Q'TY	REMARKS
1	1LX-27311-00	STAND, side	1	
2	3JE-27200-00	PEDAL, brake	1	
3	3JD-27217-00	BOLT	1	
4	90506-14449	SPRING, tension	1	
5	90240-08120	PIN, clevis	1	
6	92901-08600	WASHER, plate	1	
7	91401-25015	PIN, cotter	1	
8	2VN-27411-00	FOOTREST 1	1	
9	2VN-27421-00	FOOTREST 2	1	
10	90240-10117	PIN, clevis	2	
11	91401-25015	PIN, cotter	2	
12	90508-28777	SPRING, torsion	2	
13	90201-10119	WASHER, plate	2	

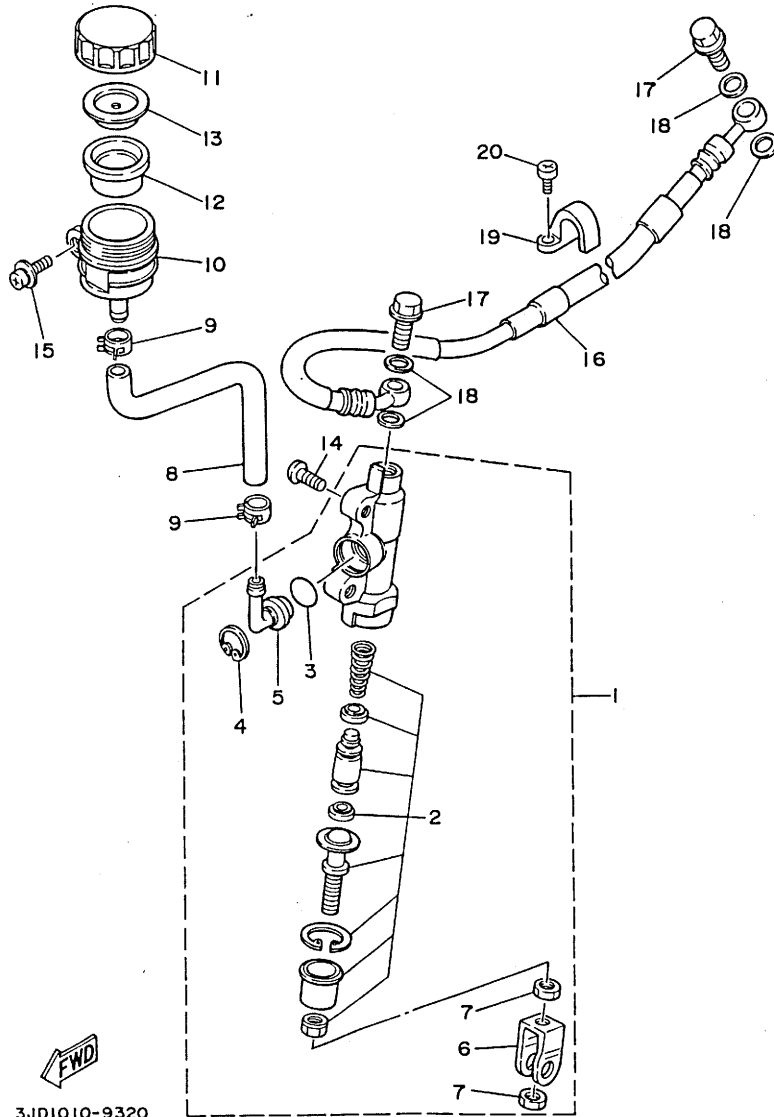


3JE1010-9310

D13

FIG. 32 REAR MASTER CYLINDER

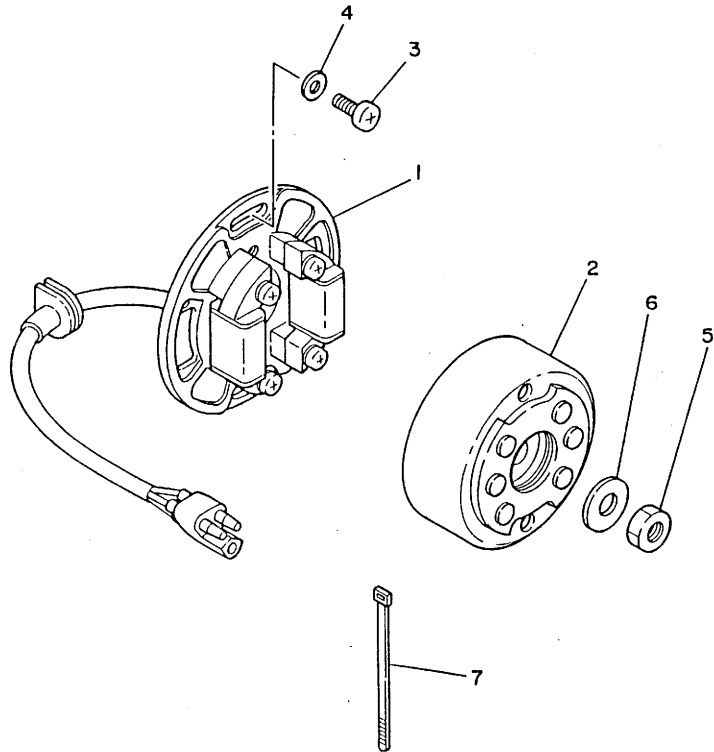
REF. NO.	PART NO.	DESCRIPTION	Q'TY	REMARKS
1	2VN-25850-50	MASTER CYLINDER ASSY	1	
2	1FK-W0042-50	.CYLINDER KIT, master	1	
3	93210-15620	.O-RING	1	
4	2VN-25866-00	.CIRCLIP	1	
5	2VN-2582A-50	.JOINT	1	
6	2VN-27222-00	.JOINT	1	
7	95303-08600	.NUT	2	
8	3JD-25895-00	HOSE, reservoir	1	
9	90467-11044	CLIP	2	
10	2VN-25894-00	TANK, reservoir	1	
11	2VN-25852-50	CAP, reservoir	1	
12	2VN-25854-00	DIAPHRAGM, reservoir	1	
13	2VN-25855-00	BUSH, diaphragm	1	
14	92013-06016	BOLT	2	
15	90159-06056	SCREW, with washer	1	
16	3JD-25873-00	HOSE, brake 2	1	
17	90401-10034	BOLT, union	2	
18	90201-10118	WASHER, plate	4	
19	2VM-25876-00	HOLDER, brake hose 2	2	
20	98580-05010	SCREW, pan head	4	



3JD1010-9320

FIG. 33 GENERATOR

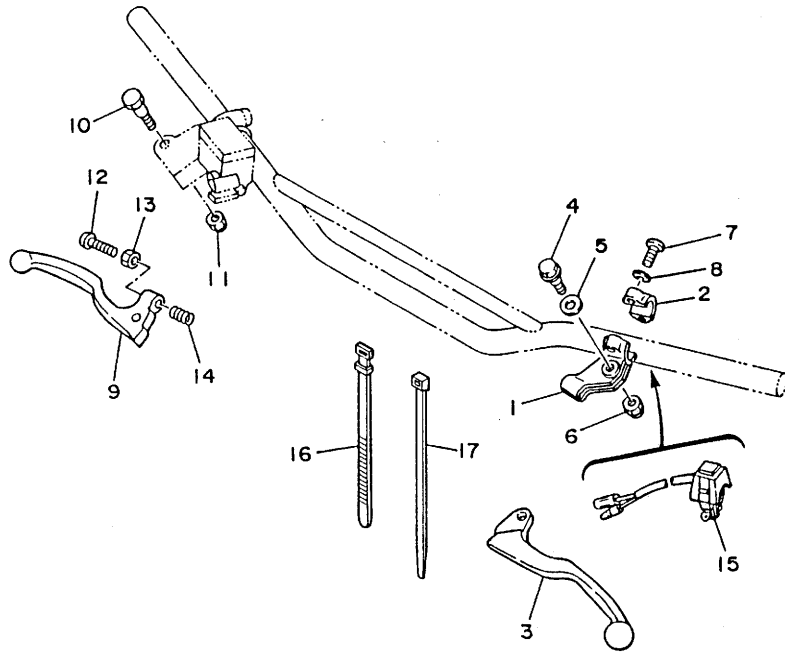
REF. NO.	PART NO.	DESCRIPTION	Q'TY	REMARKS
1	3JE-85510-00	STATOR ASSY	1	
2	3JE-85550-00	ROTOR ASSY	1	
3	92501-06020	SCREW, pan head	2	
4	92901-06600	WASHER, plate	2	
5	95311-10600	NUT	1	
6	90201-10774	WASHER, plate	1	
7	12R-82591-00	BAND	1	



3JE1010-9330

D15

FIG. 34 HANDLE SWITCH. LEVER

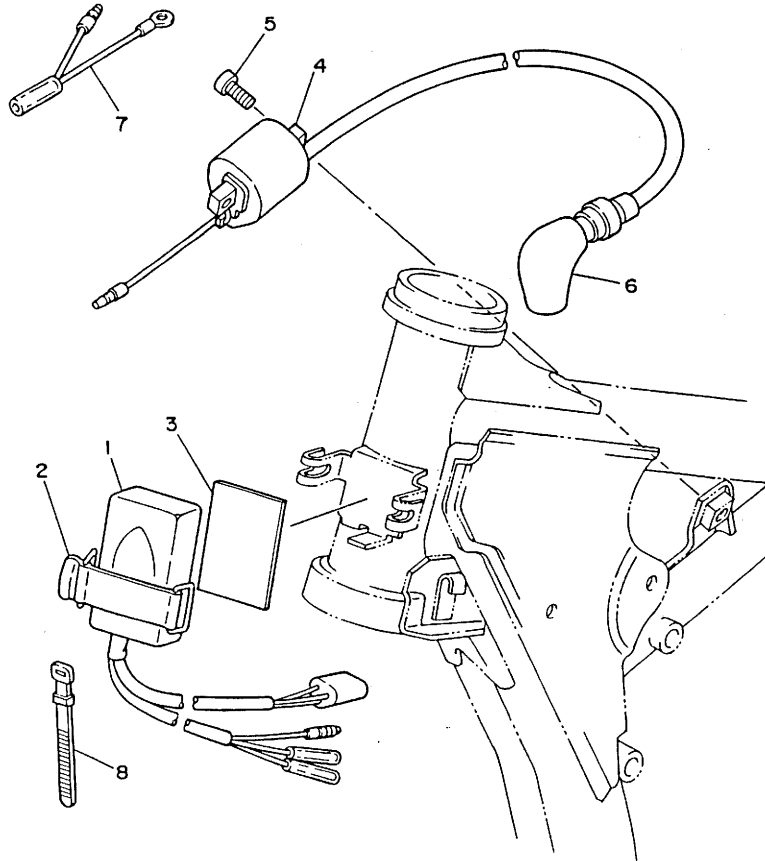


REF. NO.	PART NO.	DESCRIPTION	Q'TY	REMARKS
1	38V-82911-00	HOLDER, lever 1	1	
2	38V-82913-00	HOLDER, lever lower 1	1	
3	23X-83912-00	LEVER 1	1	
4	90109-06797	BOLT	1	
5	90201-082A9	WASHER, plate	1	
6	95616-06100	NUT, u	1	
7	98506-05018	SCREW, pan head	2	
8	92906-05100	WASHER, spring	2	
9	3JD-83922-00	LEVER 2	1	
10	90109-06577	BOLT	1	
11	95616-06100	NUT, u	1	
12	90149-06153	SCREW	1	
13	90170-06010	NUT	1	
14	90501-105F3	SPRING, compression	1	
15	23X-83976-00	SWITCH, handle 1	1	
16	437-83936-00	BAND, switch cord	2	
17	12R-82591-00	BAND	1	



3JE1010-9340

FIG. 35 ELECTRICAL 1



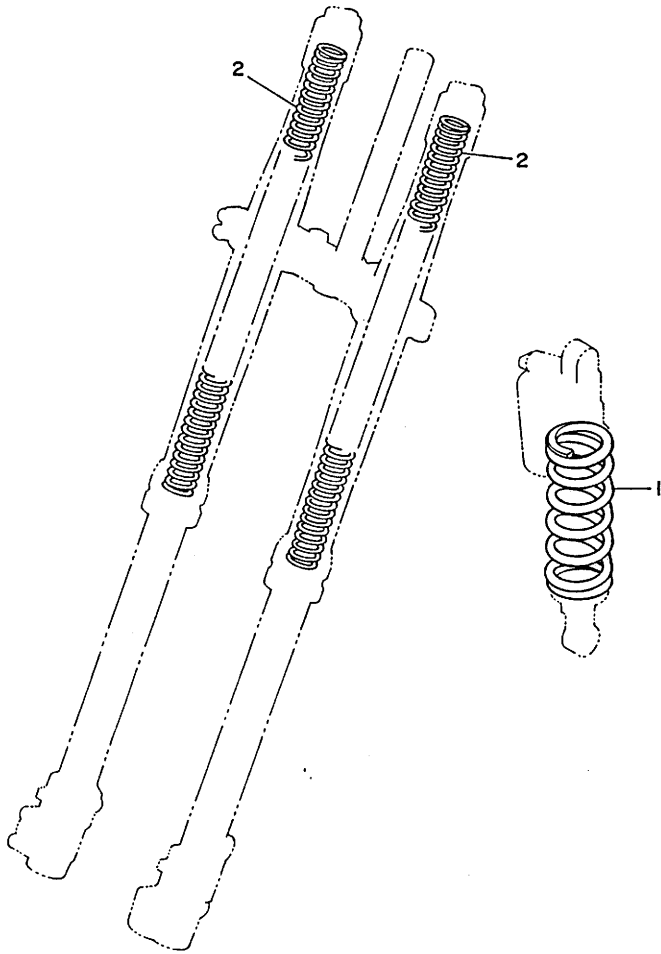
REF. NO.	PART NO.	DESCRIPTION	Q'TY	REMARKS
1	3JE-85540-00	C.D.I. UNIT ASSY	1	
2	21V-21376-00	BAND, tool	1	
3	2K7-85547-00	DAMPER	1	
4	24X-82310-10	IGNITION COIL ASSY	1	
5	92502-06016	SCREW, pan head	2	
6	3R0-82370-20	PLUG CAP ASSY	1	UR
	2TV-82370-00	PLUG CAP ASSY	1	UR WITH NOISE SUPPRESSOR
7	5X1-82519-01	WIRE, earth lead	1	
8	25G-83936-00	BAND, switch cord	1	



3JDI010-9350

FIG. 36 ALTERNATE 1 (CHASSIS)

REF. NO.	PART NO.	DESCRIPTION	Q'TY	REMARKS
1	3JD-22212-20-33	SPRING (K=5.0)	1	AP YAMAHA BLACK(SOFT)
	3JD-22212-40-33	SPRING (K=5.4)	1	AP YAMAHA BLACK(HARD)
2	3JD-23141-20	SPRING, front fork (K=0.365)	1	AP (SOFT)
	3JD-23141-40	SPRING, front fork (K=0.390)	1	AP (HARD)



3JE1010-9360

E4

FIG. 37 REPAIR KIT

REF. NO.	PART NO.	DESCRIPTION	Q'TY	REMARKS
1	3JE-11630-00	PISTON ASSY (STD)	1	AP
2	3JE-11631-00-93	.PISTON (STD)	1	
3	56A-11601-00	.PISTON RING SET (STD)	1	
4	2VM-11633-00	.PIN, piston	1	
5	93450-19052	.CIRCLIP	2	
6	3JE-11630-10	PISTON ASSY (1ST O/S)	1	AP
7	3JE-11635-00	.PISTON (0.25MM O/S)	1	
8	56A-11601-10	.PISTON RING SET (1ST O/S)	1	
9	2VM-11633-00	.PIN, piston	1	
10	93450-19052	.CIRCLIP	2	
11	3JE-11630-20	PISTON ASSY (2ND O/S)	1	AP
12	3JE-11636-00	.PISTON (0.50MM O/S)	1	
13	56A-11601-20	.PISTON RING SET (2ND O/S)	1	
14	2VM-11633-00	.PIN, piston	1	
15	93450-19052	.CIRCLIP	2	
16	3JE-11630-30	PISTON ASSY (3RD O/S)	1	AP
17	3JE-11637-00	.PISTON (0.75MM O/S)	1	
18	56A-11601-30	.PISTON RING SET (3RD O/S)	1	
19	2VM-11633-00	.PIN, piston	1	
20	93450-19052	.CIRCLIP	2	
21	3JE-11650-00	CONNECTING ROD ASSY	1	AP
22	24Y-11651-01	.ROD, connecting	1	
23	3JE-11681-00	.PIN, crank 1	1	
24	90209-25085	.WASHER	2	
25	93310-425T1	.BEARING, cylindrical	1	
26	93310-418E9	.BEARING, cylindrical	1	

NUMERICAL INDEX

PART NO.	GRID NO.	PART NO.	GRID NO.	PART NO.	GRID NO.	PART NO.	GRID NO.	PART NO.	GRID NO.	PART NO.	GRID NO.
56A-W0041-00	D-12	24Y-11651-01	B- 5	3JD-14115-00	B- 9	1G8-15362-00	B-13	21V-21376-00	E- 3	3JD-23111-L0	C-15
1FK-W0042-50	D-14		E- 5	275-14116-A7	B- 9	56A-15383-00	B-12	24Y-21415-00	C- 6		D- 2
3JD-W0045-00	D- 7	3JE-11681-00	B- 5	275-14116-A8	B- 9	2VM-15411-00	B-13	2VM-21425-00	C- 6	3JD-23113-L0	C-15
3JD-W0046-00	D-10		E- 5	275-14116-E0	B- 9	2VM-15421-00	B-13	3JE-21511-00	C- 8		D- 2
3JD-W0047-00	D- 7	5X5-11911-01	B- 4	275-14116-E1	B- 9	2VM-15451-00	B-13	1LX-21611-00	C- 8	3JD-2312G-L0	C-15
3JD-W0047-50	D-10	5X5-11912-01	B- 4	275-14116-E2	B- 9	2VM-15462-00	B-13	50W-21631-00	C- 4		D- 2
1UY-W0048-50	D- 7	1LX-11915-00	B- 2	214-14118-00	B- 9	3JE-15620-00	B-14	39X-21642-00	C- 8	3JD-23120-L0	C-15
	D-10	5X4-11921-02	B- 4	3JD-14131-00	B- 9	3JE-15621-00	B-14	3JD-21711-00	C- 9	3JD-23125-L0	C-15
3JD-W0057-00	D- 7	3JE-11922-00	B- 4	193-14142-50	B- 9	3RA-15641-00	B-14	24Y-2172A-00	C- 9		D- 2
3JD-W0057-50	D-10	3JE-11931-00	B- 4	193-14142-55	B- 9	38V-15651-00	B-14		C- 9	3JD-23136-L0	C-15
3JE-W1132-00	B- 2	3JE-11937-00	B- 2	193-14142-60	B- 9	2VM-15661-00	B-14	2VM-2172K-00	C- 9		C-15
5X4-Y113F-00	B- 2	5X4-11952-00	B- 4	193-14142-65	B-10	2VM-15664-00	B-14	2VM-21721-00	C- 9	3JE-2314A-L0	C-15
2VM-Y1543-02	B-13	24X-11953-01	B- 4	193-14142-70	B-10	2VM-16111-00	B-15	3JD-2173L-00	C- 9		D- 2
2VM-11111-00	B- 2	2VM-11956-00	B-15	137-14143-66	B-10	2VM-16150-01	B-15	2VM-21731-00	C- 9	3JD-2314E-L0	D- 3
3JE-1131A-00	B- 2	3JE-11990-00	B- 4	137-14143-68	B-10	2K7-16154-00	B-15	3JE-2174F-00	C- 9	3JD-2314F-L0	D- 3
3JE-1131N-00	B- 2	2VM-11992-00	B- 3	137-14143-70	B-10		B-15	3JD-2174L-00	C- 9	3JD-2314G-L0	D- 3
3JE-11311-00	B- 2	2VM-11993-00	B- 3	3JD-14147-00	B- 9	2VM-16181-00	B-15	2VM-21741-00	C- 9	3JD-2314H-L0	D- 2
2VM-11351-00	B- 2	2VM-11995-00	B- 3	3JE-14147-00	B- 9	22U-16321-00	B-15	3JD-21748-00	C- 8	3JD-2314J-L0	D- 3
3JE-11400-00	B- 5	1LU-1240A-00	B- 7	3JE-14171-00	B- 9	4X7-16325-00	B-15	22W-21791-00	C-10	3JD-23141-20	E- 4
3JE-11412-00	B- 5	2VM-12422-00	B- 6	3JD-14185-00	B- 9	2VM-16351-00	B-15	3JE-22110-00	C-11	3JD-23141-40	E- 4
3JE-11422-00	B- 5	2VM-12428-00	B- 6	3JE-14185-00	B- 9	2VM-16356-00	B-15	307-22123-00	C-14	3JE-23141-L0	C-15
56A-11601-00	B- 5	2VM-12450-00	B- 6	353-14186-00	B- 9	2VM-16357-00	B-15	156-22127-00	C-11		D- 2
	E- 5	2VM-12459-00	B- 6	363-14187-00	B- 9	2VM-16371-00	B-15	3JD-22128-00	C-11	3JD-23142-L0	C-15
56A-11601-10	B- 5	2VM-12460-00	B- 7	3JD-14194-00	B- 9	2VM-16381-00	B-15	3RA-22129-00	C-11		D- 2
	E- 5	22W-12462-00	B- 7	10V-14196-00	B- 9	2VM-17121-00	C- 2	1LX-22141-00	C-11	3JD-23144-L0	C-15
56A-11601-20	B- 5	24X-12469-00	B- 7	2HH-14197-00	B- 9	2VM-17131-00	C- 2	3JD-22147-00	C-11		D- 2
	E- 5	2VM-12476-00	B- 7	3JE-14411-00	B- 8	2VM-17141-00	C- 2	3JD-22151-00	C-11	3JD-23145-L0	C-15
56A-11601-30	B- 5	2VM-12477-00	B- 7	3JD-14451-00	B- 8	2VM-17151-00	C- 2	3JD-22156-00	C-11		D- 2
	E- 5	1LU-1248A-01	B- 7	3JE-14453-00	B- 8	2VM-17211-00	C- 2	2VM-2217A-00	C-11	3JD-23146-L0	C-15
3JE-11630-00	E- 5	3JE-12481-00	B- 7	39K-14457-00	B- 8	2VM-17221-00	C- 2	2VM-2217F-00	C-12		D- 2
3JE-11630-10	E- 5	2VM-12482-00	B- 7	3JD-14458-00	B- 8	2VM-17231-00	C- 2	3JD-22178-00	C- 6	36Y-23146-10	C-15
3JE-11630-20	E- 5	2VM-12483-00	B- 7	3JD-14459-00	B- 8	2VM-17241-00	C- 2	3JD-22178-10	C- 6		D- 2
3JE-11630-30	E- 5	39X-12485-00	B- 7	3JE-14461-00	B- 8	2VM-17251-01	C- 2	3JD-22199-00	C-11	3JD-23147-L0	C-15
3JE-11631-00-93	E- 5	353-13115-01	B-12	3JD-14462-00	B- 8	2VM-17411-00	C- 2	3JE-22201-00	C-13		D- 2
	E- 5	3JE-13565-00	B- 8	3JD-14477-00	B- 8	2VM-17421-00	C- 2	3JE-22210-00-33	C-13	3JD-23153-L0	C-15
3JE-11631-00-94	B- 5	1RX-13610-01	B- 8	3JE-14561-00	B- 9	4L0-17471-00	B-12	3JD-22212-20-33	E- 4		D- 2
2VM-11633-00	B- 5	1RX-13613-00	B- 8	3JE-14610-00	B-11	2VM-18101-00	C- 5	3JD-22212-40-33	E- 4	26H-23156-00	C-15
	E- 5	2VN-13616-00	B- 8	3RA-14613-00	B-11	2VM-18110-00	C- 5	3JE-22212-30-33	C-13		D- 2
	E- 5	80L-13621-01	B- 8	3JE-14615-00	B-11	22W-18140-00	C- 4	3JD-22214-00	C-13	3JD-23158-L0	C-15
	E- 5	3JE-14101-00	B- 9	3JE-1469A-00	B-11	2VM-18511-00	C- 4	3JD-22224-00	C-13		D- 2
	E- 5	3JD-14103-00	B-10	39X-14747-00	B-11	2VM-18512-00	C- 4	3JD-22241-00	C-13	3JE-2316A-L0	C-15
3JE-11635-00	B- 5	3JD-14104-00	B-10	3JE-14753-00	B-11	2VM-18513-00	C- 4	3JD-22253-00	C-13		D- 2
	E- 5	3JD-14107-35	B-10	565-14771-00	B-11	1LX-18531-00	C- 4	3JE-22253-00	C-13	3JD-23166-L0	C-15
3JE-11636-00	B- 5	3JD-14112-30	B-10		B-11	34K-18535-00	C- 4	3JD-22475-00	C-13		D- 2
	E- 5	3JD-14112-35	B-10	256-14919-00	B- 9	2VM-18540-00	C- 4		C-13	4V2-23167-L0	D- 2
3JE-11637-00	B- 5	3JD-14112-40	B-10	2VM-15111-01	B-12	3JE-21110-00-UJ	C- 6	3JE-23102-L0	C-15	3JD-23170-L0	C-15
	E- 5	3JD-14112-45	B-10	4V4-15118-00	B-12	3JE-21123-00-UJ	C- 6	3JE-23103-L0	C-15		D- 2
3JE-11650-00	E- 5	3JD-14112-50	B-10	2VM-15121-00	B-12	1HX-2135F-00	C-12	3JD-23110-L0	C-15	3JD-23171-L0	C-15

NUMERICAL INDEX

PART NO.	GRID NO.	PART NO.	GRID NO.	PART NO.	GRID NO.	PART NO.	GRID NO.	PART NO.	GRID NO.	PART NO.	GRID NO.
3JD-23171-L0	C-15	2J5-25394-01	D- 6	2VN-27411-00	D-13	90152-06010	B-14	90201-120E6	C-13	90387-202V9	D- 8
3JD-23340-L0	D- 2	3JE-25394-00	D- 8	2VN-27421-00	D-13	90159-05172	C- 9	90201-12166	C- 4	90387-203V0	D- 8
3JD-23346-L0	D- 3	39W-25444-00	D- 8	3JD-27491-00	D-10		C- 9	90201-123E8	C-14	90387-252F6	B-15
3JD-23356-L0	D- 3	39W-25445-00	D- 8	1LX-28100-00	C- 7	90159-06016	B-15	90201-14740	C-12	90387-25663	C- 2
3JD-23357-L0	C-15	39W-25446-00	D- 8	24X-82310-10	E- 3	90159-06056	D-14	90201-154E9	B- 4	90401-10034	D-12
	D- 2	39W-25448-00	D- 8	2TV-82370-00	E- 3	90159-06173	C- 9	90201-164H4	C-11		D-14
3JD-23389-00	D- 2	2HH-25449-00	D- 8	3R0-82370-20	E- 3		C- 9		C-12	90430-06016	B-13
3JD-23393-L0	C-15	39W-25450-00	D- 8	5X1-82519-01	E- 3	90170-06010	E- 2	90201-17545	B-14	90430-06166	B- 6
	D- 2	39W-25452-00	D- 8	688-82535-00	D-11	90170-20255	B-15	90201-20278	C- 2	90430-12038	B-12
5Y3-23393-00	D- 2	3JD-2580W-00	D-10	12R-82591-00	D-15	90170-36382	C-14	90201-20358	B-14	90445-08605	B-12
2VN-23395-00	C-14	3JD-25810-00	D- 7		E- 2	90176-08026	B- 2	90201-22555	C- 2	90445-09100	D- 4
2HG-23416-00	C-14	2VN-2582A-50	D-14	38V-82911-00	E- 2	90179-08401	D-11	90201-253K0	C- 2	90445-112E9	D- 4
3JD-23435-00-98	C-14	3JD-2582T-00	D- 7	38V-82913-00	E- 2	90179-10544	C-11	90201-365M5	C-14	90446-09079	B- 7
1E6-23441-00	C-14	3JD-2582W-00	D-10	23X-83912-00	E- 2	90179-18172	B-15	90202-06010	D- 4	90450-15041	B- 7
1E6-23442-00	C-14	3GD-25827-00	D-10	3JD-83922-00	E- 2	90179-20255	C- 3	90202-08022	C- 6	90450-22017	B- 7
5X6-23485-11	C-14	2VN-25850-50	D-14	256-83936-00	E- 3	90179-28583	C-14	90202-14077	C-14	90450-28014	B- 7
2VM-24110-00	D- 4	2VN-25852-00	D-12	437-83936-00	C- 8	90179-36582	C-14	90208-18025	B-15	90460-51109	B- 8
5X6-2412F-00	D- 4	2VN-25852-50	D-14		E- 2	90185-10037	C-14	90209-06096	B- 8	90460-68230	B- 8
24X-24144-00	D- 4	2VN-25854-00	D-14	437-83936-10	B- 7	90185-10120	C-13	90209-17235	C- 2	90465-13154	D-11
59V-24173-00	D- 4	56A-25854-00	D-12	23X-83976-00	E- 2	90185-14070	C-12	90209-18135	C- 2	90467-09006	B- 7
1LX-24181-00	D- 4	2VN-25855-00	D-14	3JE-85510-00	D-15	90185-16127	C-11	90209-22082	C- 2	90467-10008	D- 4
22W-24181-00	C- 9	2VN-25866-00	D-14	3JE-85540-00	E- 3	90185-18104	D- 9	90209-25085	B- 5	90467-11044	D-14
	C- 9	56A-25867-00	D-12	2K7-85547-00	E- 3	90201-057H5	B- 4		E- 5	90468-26048	B-14
3JD-24186-00	D- 4	3JD-25870-00	D-12	3JE-85550-00	D-15	90201-063A5	B-11	90215-20231	B-15	90480-15064	B- 7
3JD-24244-00	C- 9	3JD-25872-00	D-12	90101-08461	C- 6	90201-06570	B- 7	90215-21239	C- 3	90480-18276	B- 7
3JD-24245-00	C- 9	3JD-25873-00	D-14	90101-08699	D- 8	90201-06571	C- 8	90240-08120	D-13	90480-18354	D- 4
3JE-24254-00	C- 9	2VM-25876-00	D-14	90105-06553	C- 8		C- 8	90240-10117	D-13	90501-105F3	E- 2
3JD-24500-00	D- 4	2VN-25894-00	D-14	90105-08498	C- 6		C- 9	90280-03045	B- 5	90501-13720	B-14
4X8-24512-00	D- 4	3JD-25895-00	D-14	90109-06551	B-11		C- 9	90340-12059	B-12	90501-23598	B-15
4X8-24534-00	D- 4	1UY-25919-51	D-10	90109-06577	E- 2		C-14	90380-15104	B- 4	90501-240F4	B- 4
5X7-24611-01	D- 4	3JD-25919-00	D- 7	90109-06797	E- 2	90201-080E2	C- 6	90380-16158	C-11	90504-03033	B- 8
5X7-24612-00	D- 4	3JD-25920-00	D-10	90109-08512	B-11	90201-08087	B- 2	90381-16060	C-11	90506-14449	D-13
509-24724-00	D- 5	3GD-25933-00	D- 7	90109-08792	D- 8	90201-081A6	C- 6	90387-07392	B- 7	90507-20030	B-11
3JD-24731-00	D- 5		D-10	90109-102E6	C-13		C- 7	90387-07573	B- 7	90508-14783	B- 4
1LX-24738-01	D- 5	3JD-26111-10	D-11	90109-142F4	C-12		D- 8	90387-081A3	B-11	90508-26561	C- 4
107-24741-00	D- 5	1LX-26241-01	D-11	90109-145E5	C-12	90201-082A9	E- 2	90387-086N4	C- 6	90508-28777	D-13
5X6-24748-10	D- 5	1LX-26242-01	D-11	90116-08392	B- 2	90201-08612	B-11	90387-087K5	C- 6	90508-29742	C- 5
3JD-24770-00	D- 5	23X-26243-00	D-11	90116-08394	B- 2	90201-087A9	B-14	90387-102W0	B- 2	90508-30743	B-14
1LX-25104-00	D- 6	5X2-2628H-01	D-11	90116-10314	B- 2	90201-08759	B- 6	90387-121E8	C-14	90560-08213	B- 4
2HH-25111-00-98	D- 6	23X-26281-00	D-11		B- 2	90201-08784	B- 6	90387-151V9	D- 6	90560-12171	C- 5
322-25118-00	D- 6	431-26282-01-98	D-11	90119-06063	C- 8	90201-100A1	C-14	90387-152F2	B- 4	90560-15352	D- 6
55U-25181-00	D- 6	3JD-26311-00	D-11	90119-06185	B- 8	90201-100E9	C-13	90387-152V1	D- 6	90560-22281	D-11
3JD-25304-00	D- 8	3JE-26335-00	D-11	90122-06030	B- 8	90201-101J1	C- 6	90387-160H4	B-12	91001-06020	C-11
2VN-25311-00-98	D- 8	56A-26372-00	D-12	90123-08090	D-11	90201-101I8	D-12	90387-164N2	C-11	91002-06010	B-12
3JD-25317-00	D- 8	3JE-27200-00	D-13	90149-06011	D- 4		D-14	90387-164N3	C-11	91011-08035	D- 7
4V4-25367-00	D- 9	3JD-27217-00	D-13	90149-06153	E- 2	90201-10119	D-13		C-12	91011-08040	C- 6
3JD-25381-00	D- 9	2VN-27222-00	D-14	90149-06272	D- 7	90201-106F2	C-12	90387-167R4	C-12	91011-08055	C- 6
3JD-25388-00	D- 8	1LX-27311-00	D-13		D-10	90201-10774	D-15	90387-167R5	C-12	91011-10016	C-12

NUMERICAL INDEX

PART NO.	GRID NO.	PART NO.	GRID NO.	PART NO.	GRID NO.	PART NO.	GRID NO.	PART NO.	GRID NO.	PART NO.	GRID NO.
91011-10055	C- 6	93102-22363	B- 5	93450-19052	B- 5	95023-06012	C- 9	99009-17400	B-14		
91011-10120	C- 6	93102-32M07	C- 2		E- 5		C-14	99510-10114	B- 2		
91311-08020	D-10	93103-10147	B- 6		E- 5		D- 5	99510-12016	B-12		
91316-04006	B- 4	93103-40091	B- 5		E- 5	95023-06016	D- 4		B-13		
91316-06025	B- 6	93104-08040	B- 4		E- 5	95023-06020	B- 7	99530-14016	B- 2		
	B-13	93104-16074	B- 2	93450-28063	C-12	95023-06025	B- 7				
	B-12	93106-22019	C-11		C-12	95023-08016	D- 5				
91316-06050	B-13	93106-28023	D- 8	93501-04011	B-14	95026-06012	B-13				
91316-06055	B- 6	93108-35004	C-11	93511-32027	B-15	95026-06020	B- 8				
91316-06065	B- 6	93109-20029	C-11	93521-64032	B- 4	95026-06025	D-12				
91316-06070	B-12		C-12	93603-14179	B- 4	95303-08600	D-14				
	B-13		B- 2	93603-22028	B- 6	95303-08700	D- 9				
91401-20020	C-14	93210-09192	D-13	93604-08071	B- 2	95311-10600	D-15				
91401-25015	D-13	93210-14104	D-13	93604-10011	B- 6	95601-05100	B- 8				
	D-13	93210-15620	D-14	93608-33046	C- 5	95601-08200	C- 6				
92011-06012	D-10	93210-19216	B-14	93834-13030	C- 2	95601-10200	C- 6				
92011-08070	C- 6	93210-27244	B- 2	93834-14049	C- 2	95601-14200	C-12				
	C- 6	93210-56743	B-11	93834-15076	C- 3	95602-08200	C- 6				
92013-06016	D-14	93210-77363	B- 2	94108-21605	D- 6		C- 7				
92501-06012	B-12	93211-11770	B- 2	94110-19001	D- 8	95611-08100	D- 8				
	D- 4	93300-60814	B- 4	94110-21000	D- 6	95611-08200	C- 6				
	D- 5		B- 4	94111-19603	D- 8	95611-10200	C- 6				
92501-06020	D-15	93300-60816	C- 6	94209-21229	D- 6	95616-06100	E- 2				
92502-06016	E- 3		C- 6	94211-19273	D- 8		E- 2				
92506-06008	B-13	93306-00418	D- 8	94211-19274	D- 8	95701-08500	C- 9				
92516-06030	B-13	93306-00438	D- 8	94227-21123	D- 6		D- 2				
92701-06012	B-12	93306-20209	D- 6	94307-21145	D- 6	95701-10500	B- 2				
92701-06035	C-11	93306-20540	C- 2	94311-19155	D- 8	95811-08055	C- 9				
92901-06200	D- 5	93306-20574	B- 5	94321-19157	D- 8	95811-08060	D- 2				
92901-06600	D-15	93306-37802	B- 5	94330-21084	D- 6	95816-06025	B- 6				
92901-08200	C- 9		B- 5	94416-21453	D- 6	97001-06020	C-11				
92901-08600	D-13	93310-230T7	B-15	94421-19484	D- 8	97021-05030	B- 4				
92902-04100	B- 9	93310-418E9	B- 5	94585-20114	D- 9	97801-03008	D- 4				
92906-05100	E- 2		E- 5	94685-20001	D- 9	98021-06025	C- 5				
92906-06600	B-13	93310-425T1	B- 5	94702-00323	B- 2	98501-03008	B- 8				
92990-03100	B- 8		E- 5	94702-00326	B- 2		B- 9				
	B- 9	93311-41734	C- 2	95021-06008	B-11	98501-05016	C- 9				
92990-05100	B- 4	93311-62035	C- 2	95021-06035	D- 4	98506-05010	B- 3				
92990-05200	C- 9	93315-11206	B-15	95021-08020	B-14	98506-05012	B- 2				
92990-06100	B- 8	93315-22045	C-12	95021-08035	C-14	98506-05014	B- 3				
	C-11	93315-22046	C-11	95021-08050	C-14	98506-05016	D-11				
	D- 2	93317-22262	C-11	95021-08060	C-10	98506-05018	B- 3				
	D- 4	93317-22263	C-11	95023-06010	C- 8		E- 2				
92990-10200	C- 6	93332-00067	C-14	95023-06012	B- 8	98511-04012	B- 9				
92990-18600	D- 9	93332-00068	C-14		B-11	98580-05010	D-14				
93102-12106	C- 5	93342-22208	C-11		B-11	98706-04012	D-11				
93102-12224	B-15	93410-20038	C- 2		C- 9		D-12				
93102-20281	D- 6	93410-22039	C- 2			98980-06020	D- 4				
93102-20309	B-14	93440-25084	C- 2			99009-06600	B- 6				

