

YAMAHA

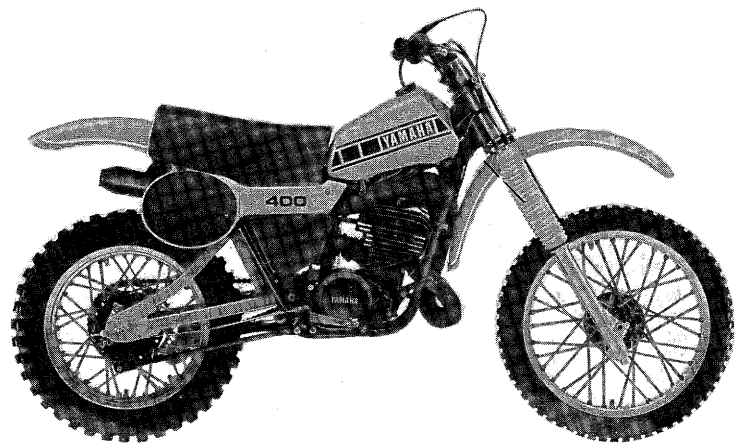
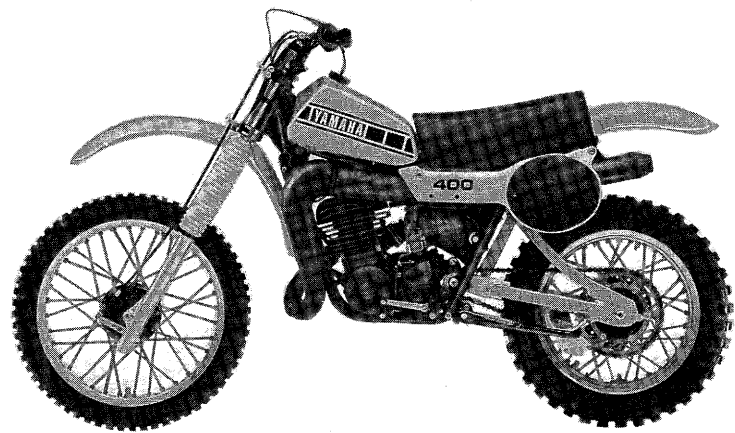
PARTS LIST

MODEL **YZ400F**

(MODEL CODE 2X5)

COPY RIGHT: ALL RIGHTS RESERVED
NO PART OF THIS PUBLICATION MAY BE REPRODUCED WITHOUT PERMISSION.

2X5-28198-05



FOREWORD

This Parts List is related to the parts in use for the Yamaha YZ400F. When you are ordering replacement parts for the YZ400F, refer to this Parts List and quote both part numbers and part names correctly.

1. Modifications or additions which have been made after issue of the Parts List will be announced in the Yamaha Parts News.

It is advisable that according to the Yamaha Parts News you make necessary corrections to the Parts List on hand to keep it up-to-date.

2. Abbreviations

The following abbreviations are used in this Parts List.

U.R. Use size (thickness) and/or number as required.

U.N. Use as many as you need.

F# Frame No. (Applicable machine No.)

3. Parts, which are to be supplied in the form of assemblies, are listed with an indentation of one letter's space, and a dot (.) is put against the name of each part.

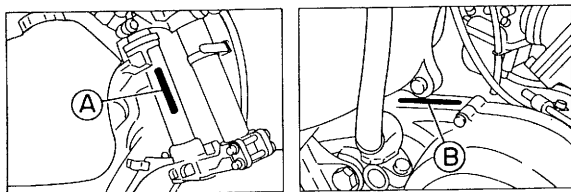
EXAMPLE CARBURETOR ASS'Y

. JET, pilot

. NOZZLE, main

4. Initial Serial No. and Color Code

(A) Frame Serial No.	2X5-000101 and following
(B) Engine Serial No.	2X5-000101 and following



Color Code	Color Name
33	Yamaha Black
91	Uni-Chrome Plated
93	Chrome Plated
98	Low Gloss Black
35	Silver

CONTENTS

ENGINE

Fig. 1	Cylinder Head · Cylinder	1
Fig. 2	Crankcase	2
Fig. 3	Crankcase Cover	3
Fig. 4	Crank · Piston	4
Fig. 5	Clutch	5
Fig. 6	Transmission	6
Fig. 7	Shifter 1	8
Fig. 8	Shifter 2	9
Fig. 9	Kick Starter	10
Fig. 10	Intake	11
Fig. 11	Carburetor	12
Fig. 12	Exhaust	14
Fig. 13	C.D.I. Magneto	15

CHASSIS

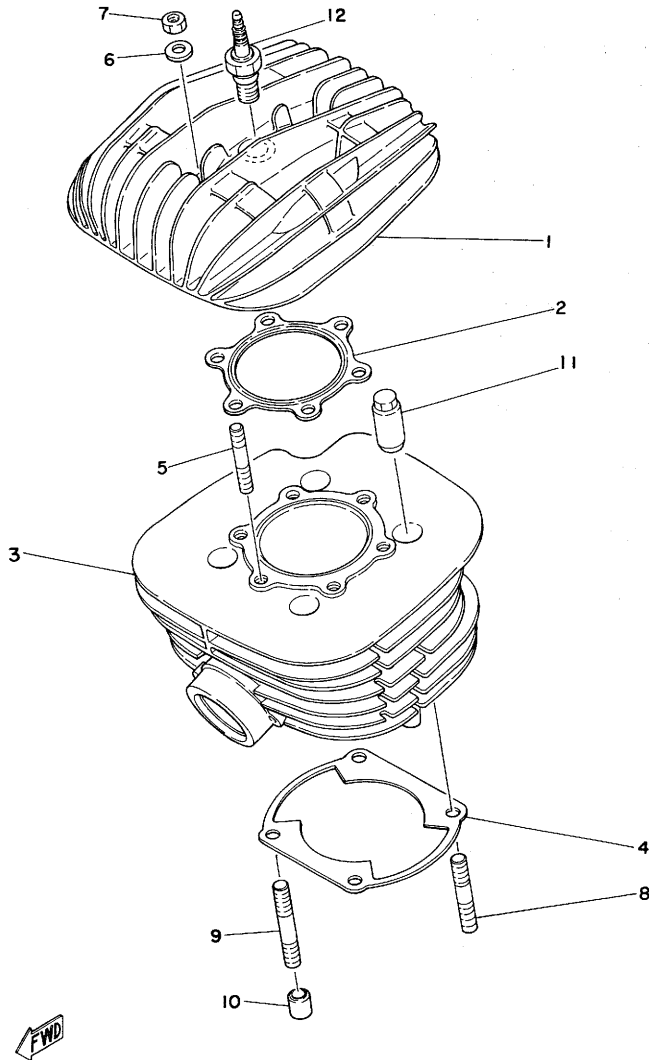
Fig. 14	Frame · Side Cover	16
Fig. 15	Rear Arm	18
Fig. 16	Rear Cushion	20
Fig. 17	Stand · Footrest · Brake Pedal	21
Fig. 18	Front Fender · Rear Fender	22
Fig. 19	Front Fork	23
Fig. 20	Steering	25
Fig. 21	Handle · Wire	26
Fig. 22	Fuel Tank	28
Fig. 23	Seat	29
Fig. 24	Front Wheel	30
Fig. 25	Rear Wheel	31
Fig. 26	Electrical	33

REPAIR KIT

Fig. 27	Repair Kit	36
---------	------------	----

NUMERICAL INDEX

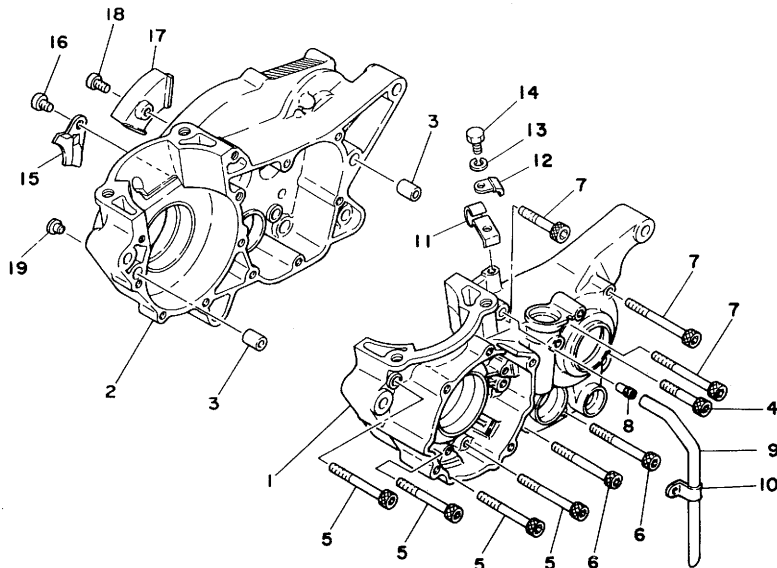
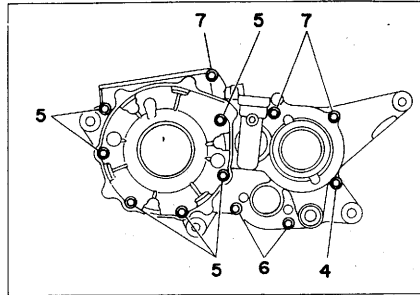
Fig. 1 CYLINDER HEAD · CYLINDER



Ref.No.	Part No.	Description	Q'ty	Remarks	
1-	1	2X5-11111-00	HEAD, cylinder	1	
	2	2X5-11181-00	GASKET, cylinder head	1	
	3	2X5-11311-00	CYLINDER	1	
	4	2X5-11351-00	GASKET, cylinder	1	
	5	90116-08262	BOLT, stud	6	
	6	812-11175-00	WASHER, holding (8.5-19-2.6)	6	
	7	95301-08600	NUT, hexagon	6	
	8	90116-10263	BOLT, stud	2	
	9	90116-10258	BOLT, stud	2	
	10	91810-16016	PIN, dowel (10.5-14-16)	2	
	11	90179-10201	NUT	4	
	12	*	PLUG, spark (N2G)	1	CHAMPION

*; The parts marked with * in the part No. column are not supplied with by Yamaha, those have to be found locally.

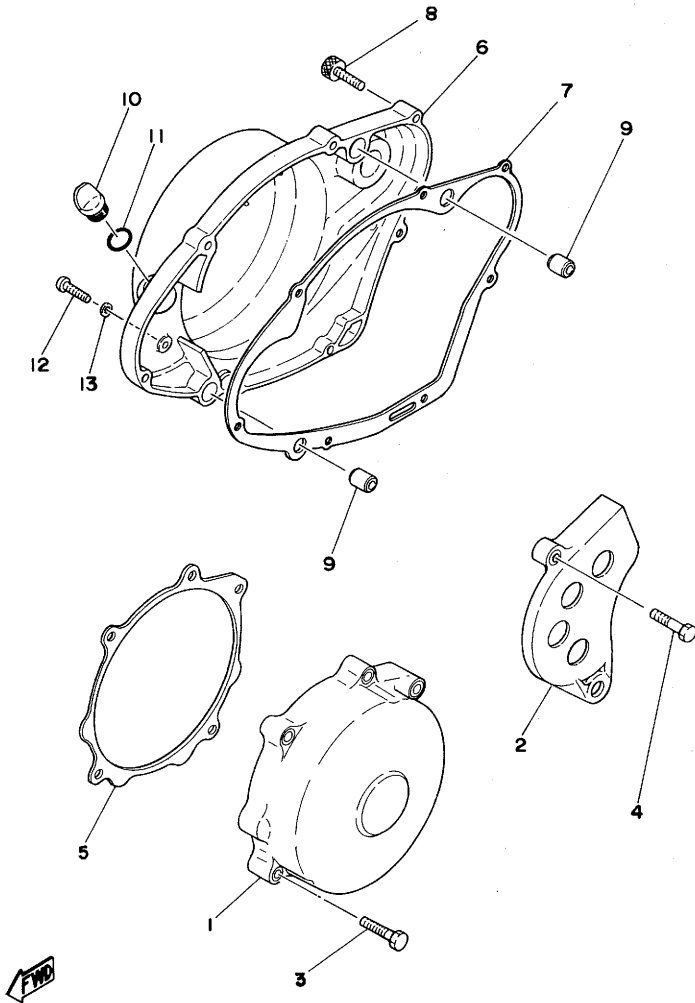
Fig. 2 CRANKCASE



Ref.No.	Part No.	Description	Q'ty	Remarks
2- 1	2X5-15111-00	CASE, crank left	1	
2	2X5-15121-00	CASE, crank right	1	
3	91830-22016	PIN, dowel (8.4-12-16)	2	
4	91316-06045	BOLT, hexagon sockethead	1	
5	91316-06065	BOLT, hexagon sockethead	6	
6	91316-06070	BOLT, hexagon sockethead	2	
7	91316-06075	BOLT, hexagon sockethead	3	
8	137-13115-00	CONNECTER, suction pipe	1	
9	90445-08376	HOSE (5-270)	1	
10	90462-08043	CLAMP	1	
11	2K7-15441-02	HOLDER, clutch wire	1	
12	90462-08042	CLAMP	1	
13	92901-06100	WASHER, spring	1	
14	97301-06014	BOLT, hexagon	1	
15	2X5-15118-00	HOLDER	1	
16	92501-08010	SCREW, panhead	1	
17	2K7-15113-00	PLATE	1	
18	92501-06010	SCREW, panhead	1	
19	90338-07011	PLUG	1	

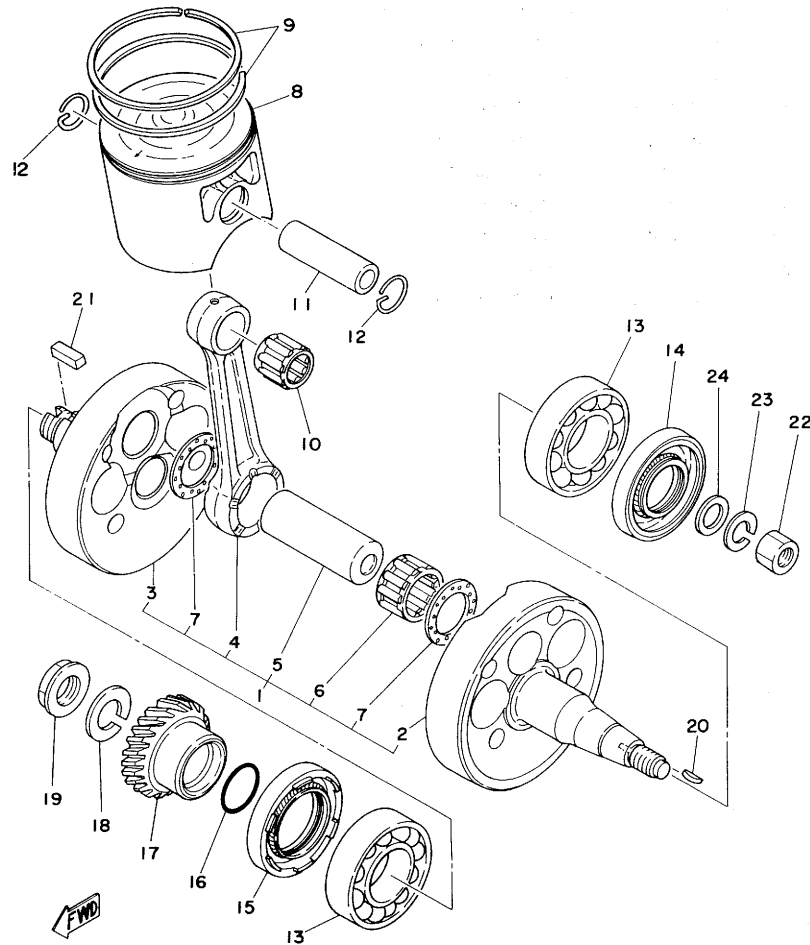


Fig. 3 CRANKCASE COVER



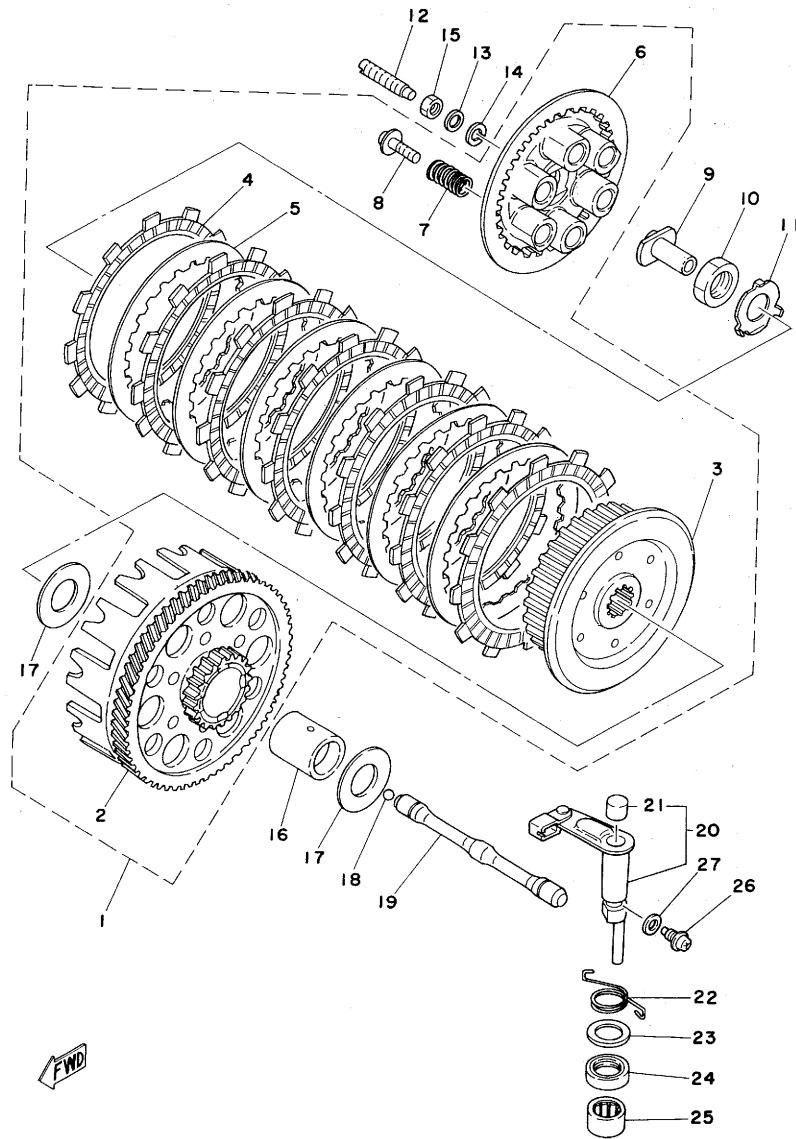
Ref.No.	Part No.	Description	Q'ty	Remarks
3- 1	2X7-15411-00	COVER, crankcase left 1	1	
2	2K7-15421-00	COVER, crankcase left 2	1	
3	91316-06030	BOLT, hexagon sockethead	5	
4	91316-06025	BOLT, hexagon sockethead	1	
5	2X7-15451-00	GASKET, crankcase cover left 1	1	
6	2K7-15431-01	COVER, crankcase right	1	
7	2K7-15462-00	GASKET, crankcase cover right	1	
8	91316-06025	BOLT, hexagon sockethead	7	
9	91830-22016	PIN, dowel (8.4-12-16)	2	
10	1G8-15362-00	PLUG, oil level	1	
11	93210-14104	O-RING (2.4-13.8)	1	
12	92506-06008	SCREW, panhead	1	
13	90430-06016	GASKET (838-15384-00)	1	

Fig. 4 CRANK · PISTON



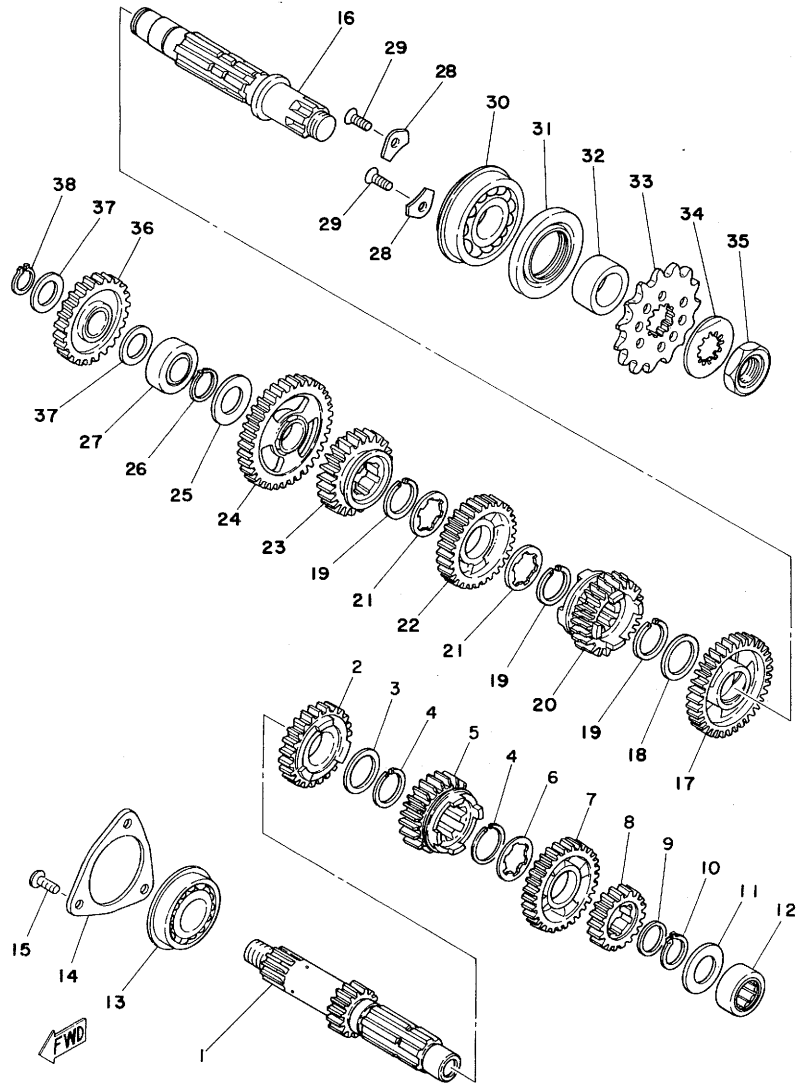
Ref.No.	Part No.	Description	Q'ty	Remarks
4- 1	2X5-11400-00	CRANK ASS'Y	1	
2	2X5-11412-00	.CRANK, left	1	
3	2X5-11422-00	.CRANK, right	1	
4	2X5-11651-10	.ROD, connecting	1	
5	2X5-11681-00	.PIN, crank	1	
6	93310-42541	.BEARING, con-rod big end	1	
7	90209-25085	.WASHER (275-11685-00)	2	
8	2X5-11631-00-96	PISTON (84.96mm STD)	1	U.R.
	2X5-11631-00-97	PISTON (84.97mm STD)	1	
	2X5-11635-00	PISTON (85.25mm 1st O.S)	1	Alternate Parts
	2X5-11636-00	PISTON (85.50mm 2nd O.S)	1	Alternate Parts
	2X5-11637-00	PISTON (85.75mm 3rd O.S)	1	Alternate Parts
	2X5-11638-00	PISTON (86.00mm 4th O.S)	1	Alternate Parts
9	2X5-11601-00	PISTON RING SET (STD)	1s	
	2X5-11601-10	PISTON RING SET (1st O.S)	1s	Alternate Parts
	2X5-11601-20	PISTON RING SET (2nd O.S)	1s	Alternate Parts
	2X5-11601-30	PISTON RING SET (3rd O.S)	1s	Alternate Parts
	2X5-11601-40	PISTON RING SET (4th O.S)	1s	Alternate Parts
10	93310-418E9	BEARING, con-rod small end	1	
11	1W4-11633-00	PIN, piston	1	
12	93450-19052	CIRCLIP (604-11634-00)	2	
13	93306-30615	BEARING (B6306)	2	
14	93103-30092	OIL SEAL (SW-30-55-10)	1	
15	93103-40091	OIL SEAL (SW-40-55-10)	1	
16	93210-29282	O-RING (1.9-29.5)	1	
17	2X5-16111-00	GEAR, primary drive	1	
18	92901-18100	WASHER, spring	1	
19	90179-18172	NUT	1	
20	90280-05013	KEY, woodruff	1	
21	90282-07019	KEY, straight	1	
22	90170-12181	NUT, hexagon	1	
23	92901-12100	WASHER, spring	1	
24	90201-12593	WASHER, plate	1	

Fig. 5 CLUTCH



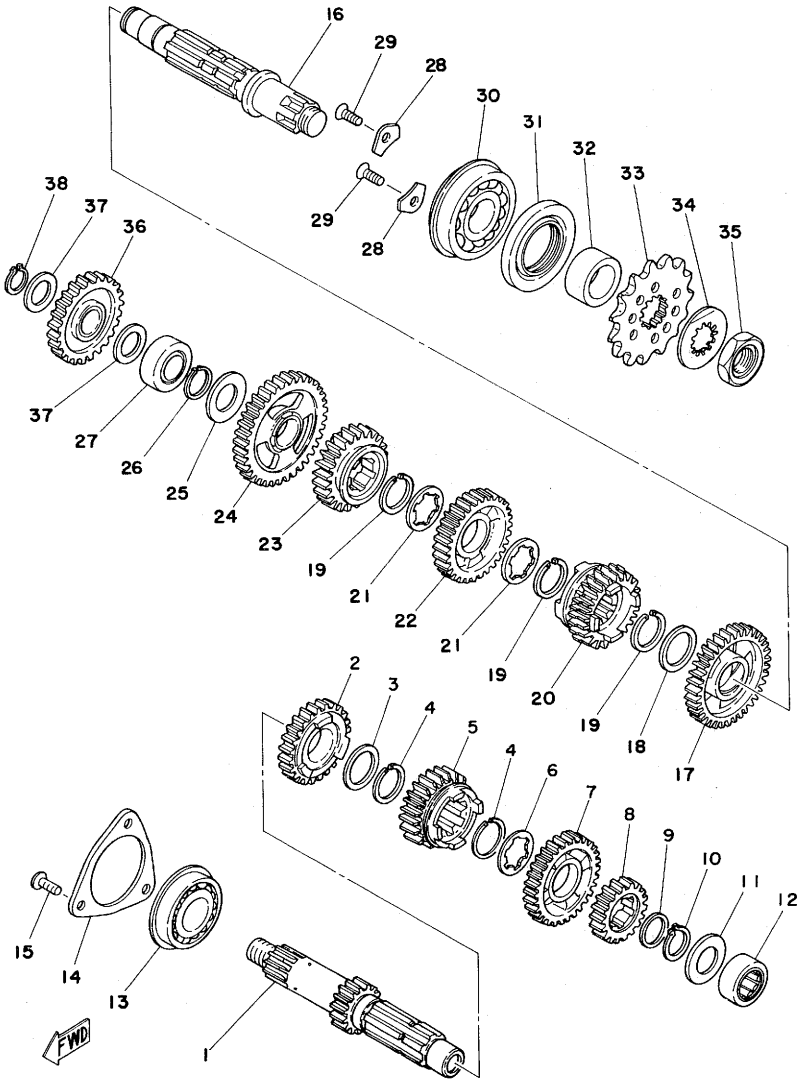
Ref.No.	Part No.	Description	Q'ty	Remarks
5-	1	2X5-16301-00	CLUTCH ASS'Y	1
	2	2K7-16150-00	. PRIMARY DRIVEN GEAR COMP.	1
	3	2X5-16371-00	. BOSS, clutch	1
	4	383-16321-00	. PLATE, friction	7
	5	360-16325-00	. PLATE, clutch	6
	6	1M1-16351-00	. PLATE, pressure	1
	7	90501-24408	. SPRING, compression	6
	8	90159-06016	. SCREW, with washer	6
	9	1M1-16356-00	ROD, push 1	1
	10	90170-20195	NUT	1
	11	90215-20125	WASHER, lock	1
	12	90149-08105	SCREW	1
	13	90201-08092	WASHER, plate	1
	14	92901-08100	WASHER, spring	1
	15	95311-08700	NUT, hexagon	1
	16	2K7-16181-00	SPACER	1
	17	2K7-16154-00	PLATE, thrust 1	2
	18	93515-32029	BALL (15/32 inch)	1
	19	1W4-16357-00	ROD, push 2	1
	20	2X4-16380-00	PUSH LEVER ASS'Y	1
	21	214-17481-00	. PLUG	1
	22	90508-14373	SPRING, torsion	1
	23	90201-17327	WASHER, plate	1
	24	93102-17004	OIL SEAL (SD-17-28-6)	1
	25	93315-21721	BEARING	1
	26	90149-08108	SCREW	1
	27	90430-08069	GASKET (425-16387-00)	1

Fig. 6 TRANSMISSION



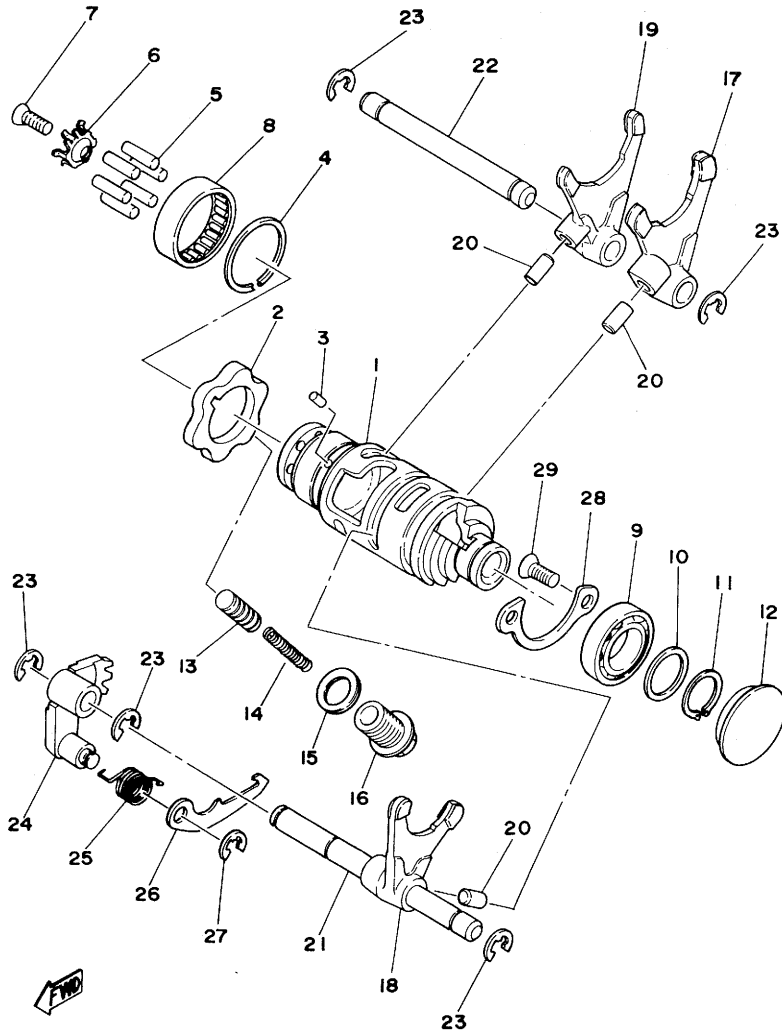
Ref.No.	Part No.	Description	Q'ty	Remarks
6- 1	2X5-17411-00	AXLE, main (13T)	1	
2	2X5-17141-00	GEAR, 4th pinion (22T)	1	
3	90201-25287	WASHER, plate (25.2-30-1.0)	1	
4	93440-25019	CIRCLIP (25φ special)	2	
5	2X5-17131-00	GEAR, 3rd pinion (19T)	1	
6	90209-22082	WASHER (434-17216-00)	1	
7	2X5-17151-00	GEAR, 5th pinion (24T)	1	
8	2X5-17121-00	GEAR, 2nd pinion (16T)	1	
9	90201-20613	WASHER, plate (20.2-25.5-1.5)	1	
10	93410-20038	CIRCLIP (S-20)	1	
11	90201-20278	WASHER, plate (168-17116-00)	1	
12	93311-62035	BEARING	1	
13	93306-20535	BEARING (B6205)	1	
14	1W4-15383-00	PLATE, bearing cover	1	
15	92701-06012	SCREW, flathead	3	
16	2X5-17421-00	AXLE, drive	1	
17	2X5-17221-00	GEAR, 2nd wheel (28T)	1	
18	90201-25287	WASHER, plate (25.1-30-1.0)	1	
19	93440-25019	CIRCLIP (25φ special)	3	
20	2X5-17251-00	GEAR, 5th wheel (20T)	1	
21	90209-22082	WASHER (434-17216-00)	2	
22	2X5-17231-00	GEAR, 3rd wheel (25T)	1	
23	2X5-17241-00	GEAR, 4th wheel (23T)	1	
24	2X5-17211-00	GEAR, 1st wheel (31T)	1	
25	90201-20278	WASHER, plate (168-17116-00)	1	
26	93410-20038	CIRCLIP (S-20)	1	
27	93311-62035	BEARING	1	
28	2K7-15383-00	PLATE, bearing cover	2	
29	92701-06012	SCREW, flathead	2	
30	93304-20501	BEARING (B4205)	1	
31	93102-32136	OIL SEAL (SD-32-42-6)	1	
32	90387-25663	COLLAR	1	

Fig. 6 TRANSMISSION



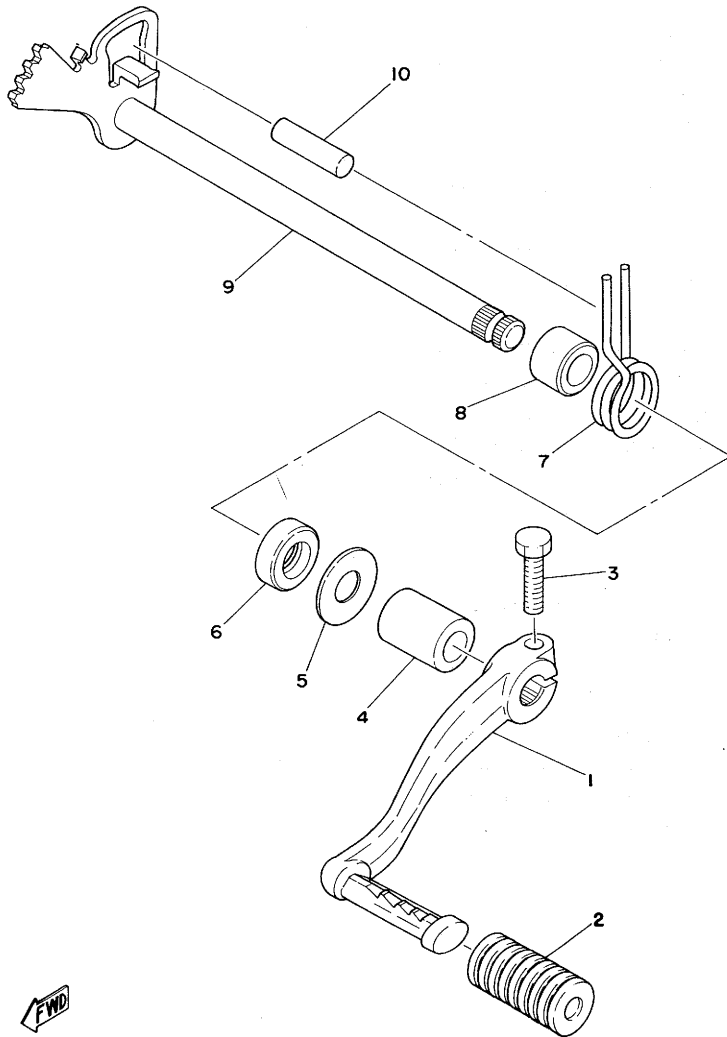
Ref.No.	Part No.	Description	Q'ty	Remarks
6-33	1W4-17461-30	SPROCKET, drive (13T)	} U.R. 1	STD
	1W4-17461-40	SPROCKET, drive (14T)		
	1W4-17461-50	SPROCKET, drive (15T)		
34	90215-21121	WASHER, lock	1	
35	90179-20255	NUT	1	
36	2K7-15651-00	GEAR, kick idle (21T)	1	
37	90201-17545	WASHER, plate	2	
38	93410-17008	CIRCLIP (S-17)	1	

Fig.7 SHIFTER 1



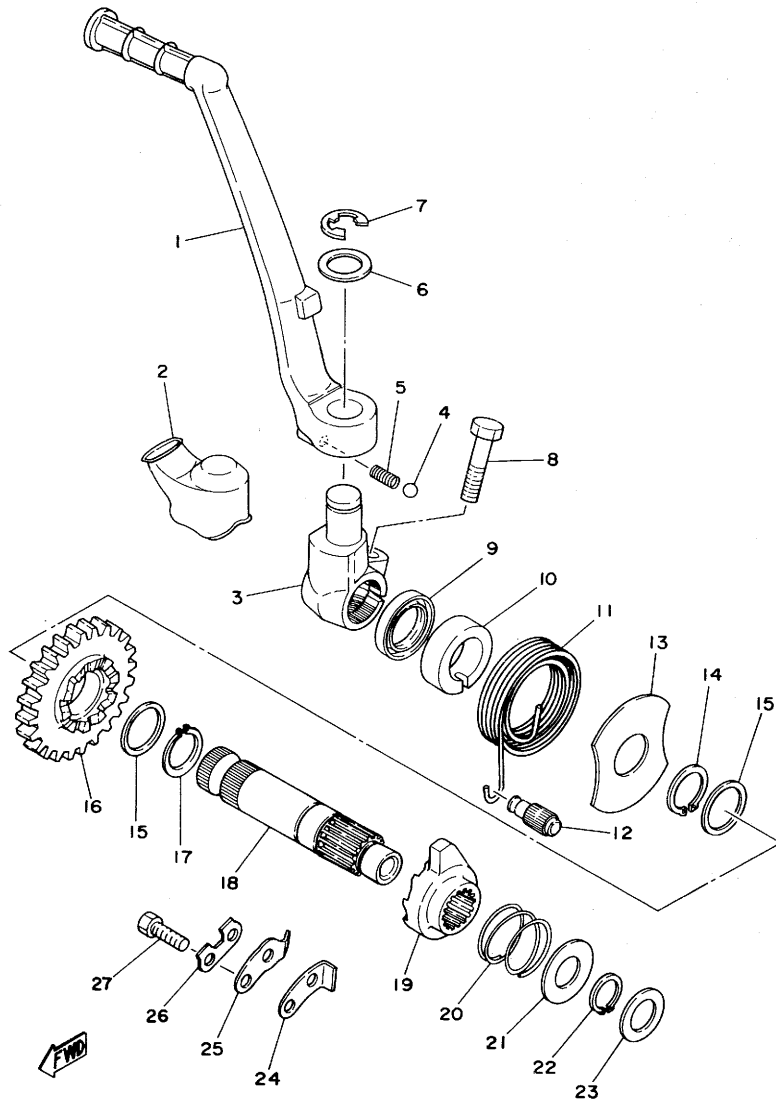
Ref.No.	Part No.	Description	Qty	Remarks
7- 1	2X5-18541-00	CAM, shift	1	
2	2K7-18141-00	PLATE, stopper	1	
3	93604-08071	PIN, dowel (4-8)	1	
4	93440-32017	CIRCLIP (32φ special)	1	
5	93604-18100	PIN, dowel (4-18)	6	
6	2K9-18561-00	PLATE, side	1	
7	98701-05012	SCREW, flathead	1	
8	93315-23208	BEARING	1	
9	93306-90401	BEARING	1	
10	90201-20613	WASHER, plate (20.2-25.5-1.5)	1	
11	93410-19015	CIRCLIP (S-19)	1	
12	90338-32086	PLUG	1	
13	353-18547-00	STOPPER, cam	1	
14	90501-10062	SPRING, compression (278-18557-00)	1	
15	214-11198-01	GASKET, drain plug	1	
16	90109-14485	BOLT	1	
17	2X5-18511-00	FORK, shift 1	1	
18	2X5-18512-00	FORK, shift 2	1	
19	2X5-18513-00	FORK, shift 3	1	
20	93606-14140	PIN, dowel (6-13.5)	3	
21	2K7-18531-00	BAR, shift fork guide 1	1	
22	2K7-18535-01	BAR, shift fork guide 2	1	
23	93430-08006	CIRCLIP (E-8)	5	
24	2K7-18122-01	LEVER, change 2	1	
25	90508-10386	SPRING, torsion	1	
26	2K7-18151-00	LEVER, change 3	1	
27	93430-07012	CIRCLIP (E-7)	1	
28	2K7-15381-00	PLATE, bearing cover	1	
29	92701-06012	SCREW, flathead	2	

Fig. 8 SHIFTER 2



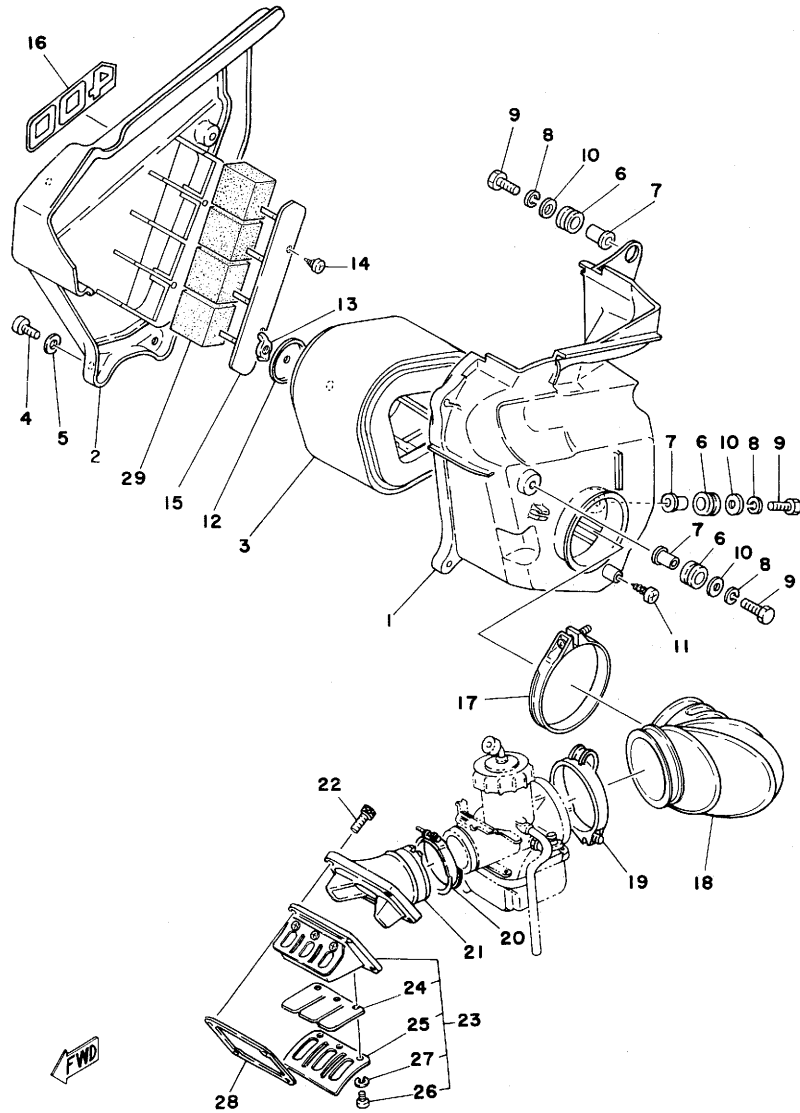
Ref.No.	Part No.	Description	Q'ty	Remarks
8- 1	2X5-18111-00	PEDAL, change	1	
2	132-18113-01	COVER, change pedal	1	
3	97321-06025	BOLT, hexagon	1	
4	90560-12179	SPACER	1	
5	90201-12588	WASHER, plate (12-28-1)	1	
6	93101-12004	OIL SEAL (S-12-22-5)	1	
7	90508-32374	SPRING, torsion	1	
8	90560-12171	SPACER	1	
9	2K7-18101-00	CHANGE SHAFT ASS'Y	1	
10	93608-30128	PIN, dowel (8-30)	1	

Fig. 9 KICK STARTER



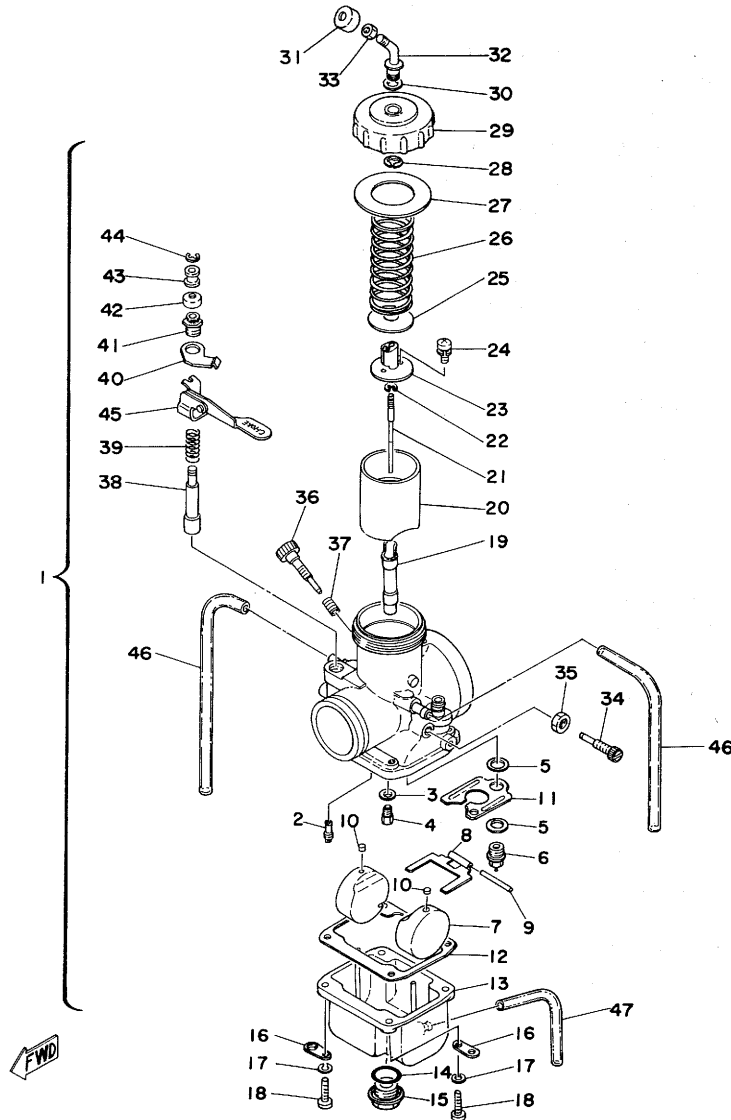
Ref.No.	Part No.	Description	Q'ty	Remarks
9- 1	2K7-15611-00-33	CRANK, kick	1	Yamaha Black
2	2K7-15618-00	COVER, kick lever	1	
3	2K7-15621-00	BOSS, kick crank	1	
4	93507-32009	BALL (7/32 inch)	1	
5	90501-12081	SPRING, compression (278-15622-00)	1	
6	90201-15234	WASHER, plate (278-15613-00)	1	
7	93430-10016	CIRCLIP (E-10)	1	
8	97311-08030	BOLT, hexagon	1	
9	93109-20014	OIL SEAL (SDO-20-30-4.5)	1	
10	2K7-15664-00	GUIDE, spring	1	
11	90508-32061	SPRING, torsion (291-15665-00)	1	
12	248-15668-00	STOPPER, kick spring	1	
13	2K7-15676-00	COVER, spring	1	
14	93410-20009	CIRCLIP (S-20)	1	
15	90201-20685	WASHER, plate (20-25-0.5)	2	
16	2K7-15641-01	GEAR, kick (24T)	1	
17	93410-20038	CIRCLIP	1	
18	2K7-15661-01	AXLE, kick	1	
19	2K7-15671-01	WHEEL, ratchet	1	
20	90501-16107	SPRING, compression (168-15675-00)	1	
21	168-15676-00	COVER, spring	1	
22	93410-15005	CIRCLIP (S-15)	1	
23	132-15644-00	SHIM	1	
24	2K7-15668-00	STOPPER, kick	1	
25	214-15674-00	GUIDE, ratchet wheel	1	
26	214-15686-00	WASHER, lock	1	
27	97310-06016	BOLT, hexagon	2	

Fig. 10 INTAKE



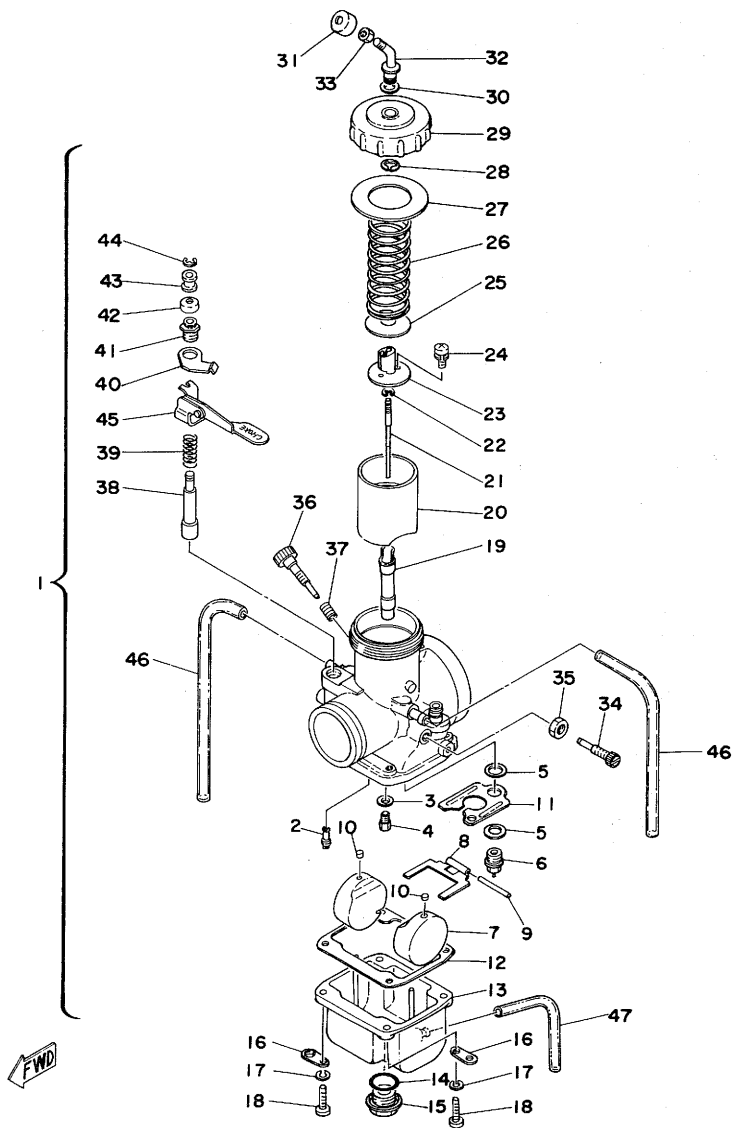
Ref.No.	Part No.	Description	Q'ty	Remarks
10- 1	2X4-14411-00	CASE, air cleaner	1	
2	2X4-14412-01	CAP, case	1	Competition Yellow
	2X4-14412-10	CAP, case	1	Clean White
3	2X4-14450-00	AIR CLEANER ELEMENT ASS'Y	1	
4	92501-06015	SCREW, panhead	4	
5	92901-06600	WASHER, plate	4	
6	90480-14102	GROMMET (214-21717-00)	3	
7	90387-07391	COLLAR (437-21633-00)	3	
8	92901-06100	WASHER, spring	3	
9	97301-06025	BOLT, hexagon	3	
10	90201-06067	WASHER, plate (6.5-20-1.6)	3	
11	90163-06001	SCREW, tapping	1	
12	2X4-14468-00	PLATE ELEMENT SET	1	
13	90175-06012	NUT, wing	1	
14	97701-40512	SCREW, panhead tapping	2	
15	2X4-14477-10	PLATE	1	
16	2X5-21737-00	EMBLEM	1	
17	90460-85138	CLAMP, hose	1	
18	2X5-14453-00	JOINT, air cleaner	1	
19	90460-68120	CLAMP, hose	1	
20	90460-51109	CLAMP, hose	1	
21	2K7-13565-00	JOINT, carburetor	1	
22	91316-06020	BOLT, hexagon socket head	4	
23	2X5-13610-00	REED VALVE ASS'Y	1	
24	2K7-13613-00	REED VALVE	2	
25	2X5-13616-00	STOPPER, reed valve	2	
26	98501-03008	SCREW, panhead	6	
27	92901-03100	WASHER, spring	6	
28	2K7-13621-00	PACKING, valve seat	1	
29	2X4-14461-00	ELEMENT 2	4	

Fig. 11 CARBURETOR



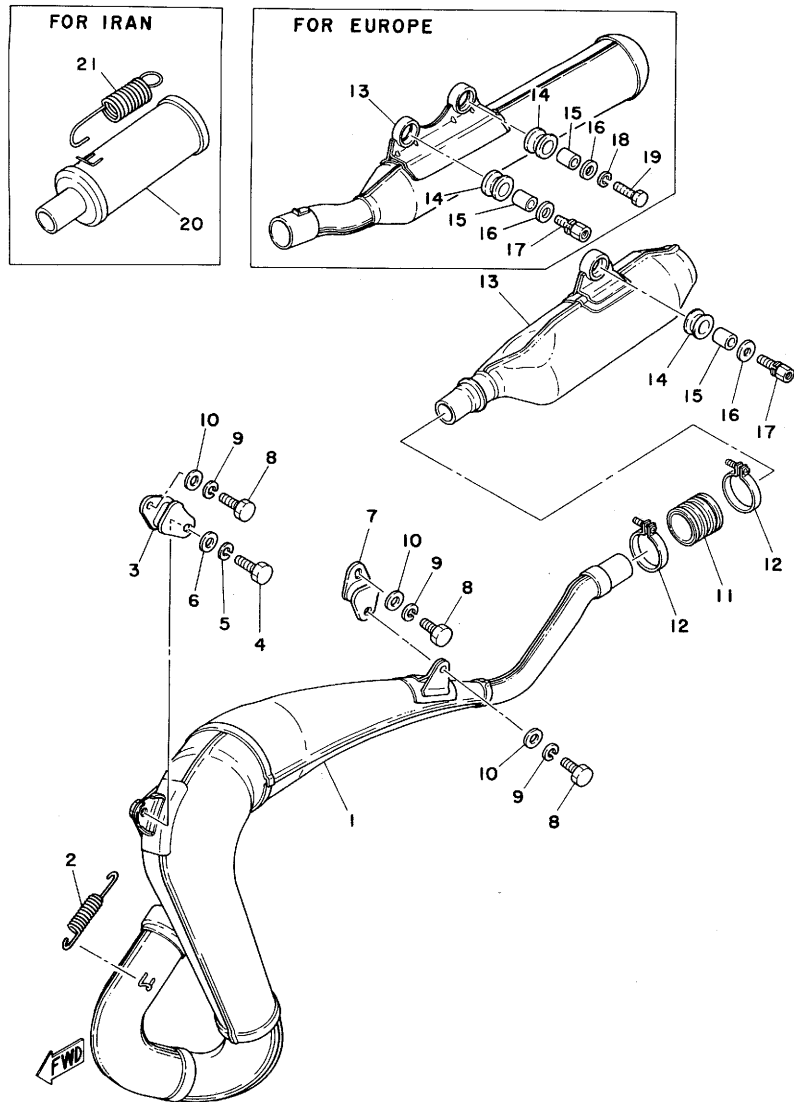
Ref.No.	Part No.	Description	Qty	Remarks
11- 1	2X5-14101-00	CARBURETOR ASS'Y	1	
2	193-14142-85	. JET, pilot (#85)	1	
3	1W5-14153-00	. WASHER, main jet	1	
4	137-14143-82	. JET, main (#410)	} U.R. 1	STD
	137-14143-84	. JET, main (#420)		
	137-14143-86	. JET, main (#430)		
5	239-14195-00	. WASHER, valve seat	2	
6	363-14190-35	. VALVE SEAT ASS'Y (3.5)	1	
7	214-14185-00	. FLOAT	2	
8	363-14187-00	. ARM, float	1	
9	127-14186-00	. PIN, float	1	
10	214-14118-00	. CAP	2	
11	510-14146-00	. PLATE	1	
12	363-14184-00	. GASKET, float chamber	1	
13	510-14181-16	. BODY, float chamber	1	
14	558-14147-00	. O-RING	1	
15	500-14115-00	. PLUG, screw	1	
16	313-14146-00	. PLATE	2	
17	92901-05100	. WASHER, spring	4	
18	98501-05016	. SCREW, panhead	4	
19	510-14141-54	. NOZZLE, main (Q-4)	1	
20	510-14112-40	. VALVE, throttle (4.0)	1	
21	239-14116-08	. NEEDLE (6F8-2)	1	
22	164-14137-00	. CLIP	1	
23	509-14274-00	. CONNECTOR	1	
24	97602-03108	. SCREW, panhead	2	
25	509-14136-00	. SEAT	1	
26	363-14131-00	. SPRING, throttle valve	1	
27	363-14126-00	. PACKING	1	
28	363-14137-00	. CLIP	1	
29	1W3-14158-00	. TOP, mixing chamber	1	
30	509-14198-00	. GASKET	1	

Fig. 11 CARBURETOR



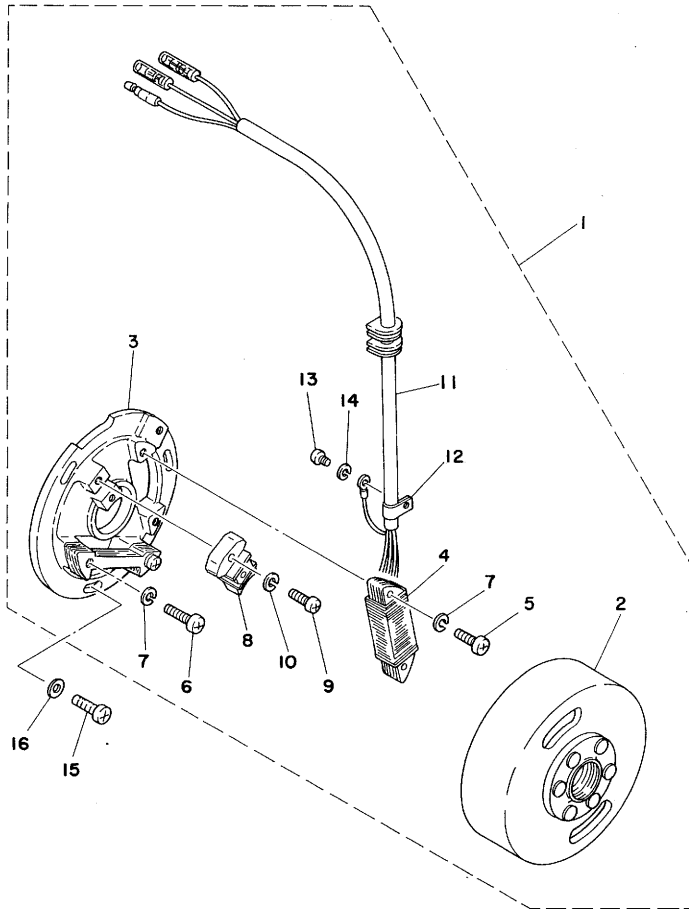
Ref.No.	Part No.	Description	Q'ty	Remarks
11-31	1M1-14169-00	. CAP	1	
32	509-14155-01	. TUBE, guide wire	1	
33	127-14161-00	. NUT, wire adjusting	1	
34	2A0-14122-00	. SCREW, throttle	1	
35	802-14161-00	. NUT, wire adjusting	1	
36	1W3-14123-00	. SCREW, air adjusting	1	
37	137-14133-00	. SPRING, air adjusting	1	
38	1W1-14171-00	. PLUNGER, starter	1	
39	256-14135-00	. SPRING, plunger	1	
40	1W3-14178-00	. PLATE, starter spring	1	
41	802-14174-00	. CAP, plunger	1	
42	802-14173-00	. CAP	1	
43	737-14241-00	. BUSHING, starter plunger	1	
44	737-14137-00	. CIRCLIP	1	
45	1W3-14175-00	. LEVER, starter	1	
46	310-14197-00	. PIPE, air vent	2	
47	510-14197-00	. PIPE, over flow	1	

Fig. 12 EXHAUST



Ref.No.	Part No.	Description	Q'ty	Remarks
12- 1	2X5-14610-01	EXHAUST PIPE ASS'Y	1	
2	90507-20030	SPRING, tension	2	
3	483-14781-00	STAY, silencer	1	
4	97301-08020	BOLT, hexagon	1	
5	92901-08100	WASHER, spring	1	
6	92901-08600	WASHER, plate	1	
7	565-14771-00	STAY, muffler	1	
8	97301-06016	BOLT, hexagon	3	
9	92901-06100	WASHER, spring	3	
10	92901-06600	WASHER, plate	3	
11	1M1-14714-00	GASKET, muffler joint	1	
12	90460-43053	CLAMP, hose (304-14455-70)	2	
13	2X5-14753-00	SILENCER	1	
	2X5-14753-10	SILENCER	1	Exclusive for Europe
14	565-14747-00	DAMPER, muffler	1	
	565-14747-00	DAMPER, muffler	2	Exclusive for Europe
15	90387-08258	COLLAR (8.3-15-15)	1	
	90387-08258	COLLAR (8.3-15-15)	2	Exclusive for Europe
16	90201-08113	WASHER (611-48556-30 8.2-26-2)	1	
	90201-08113	WASHER (611-48556-30 8.2-26-2)	2	Exclusive for Europe
17	90109-08512	BOLT, hexagon	1	
18	92901-08100	WASHER, spring	1	Exclusive for Europe
19	97301-08030	BOLT, hexagon	1	Exclusive for Europe
20	1W4-14753-20	SILENCER	1	Exclusive for Iran
21	90506-20166	SPRING, tension	1	Exclusive for Iran

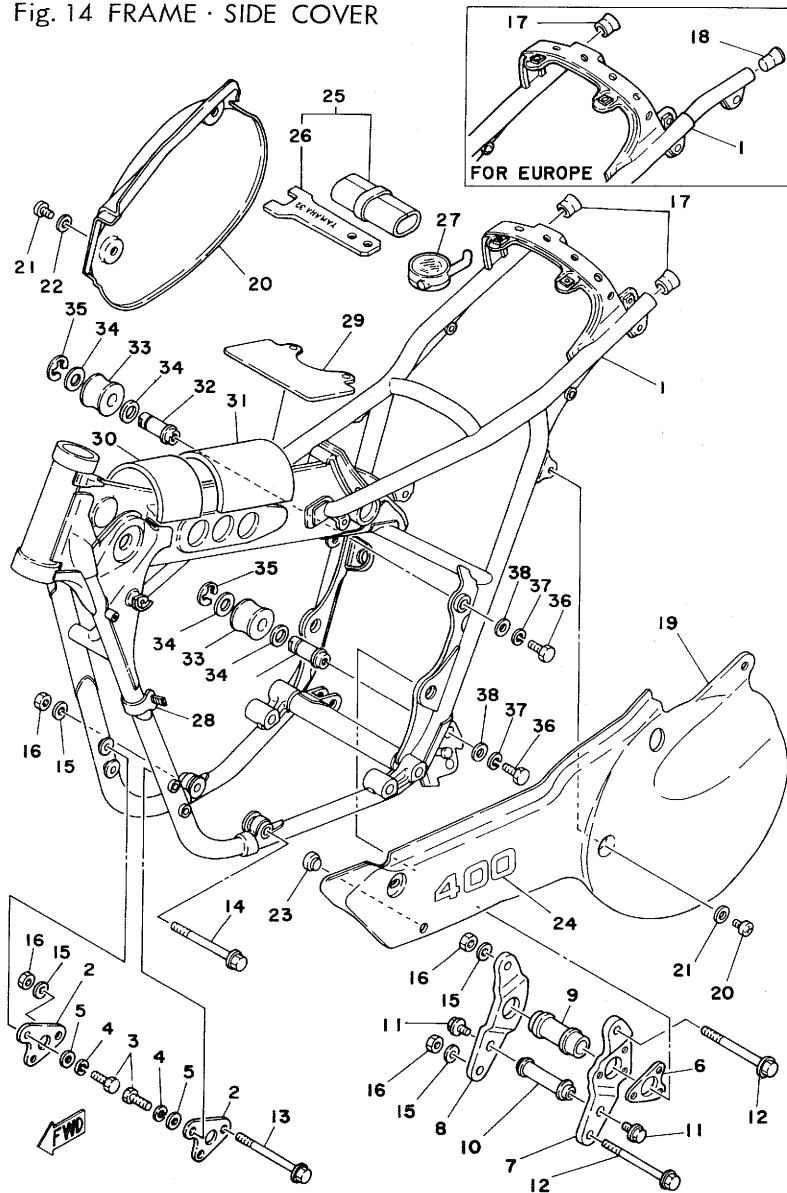
Fig.13 C. D. I. MAGNETO



FWD

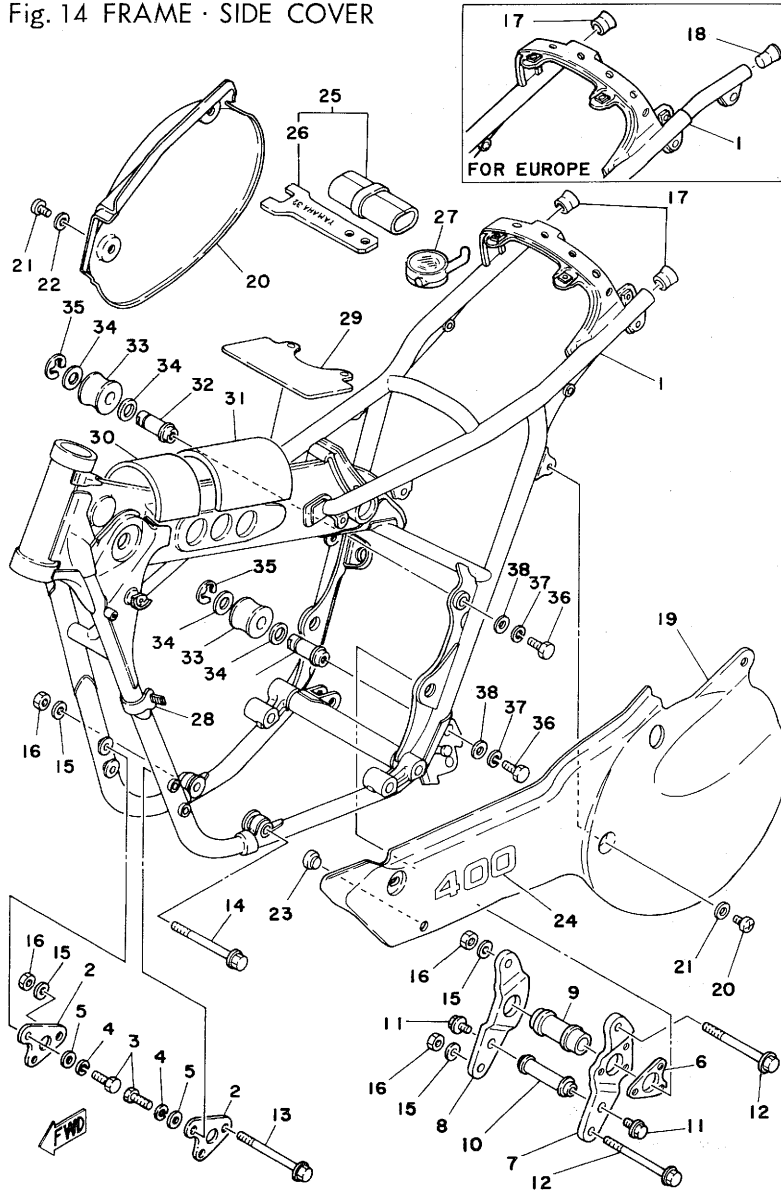
Ref.No.	Part No.	Description	Q'ty	Remarks
13- 1	2X5-85500-20	C.D.I. MAGNETO ASS'Y	1	
2	2X7-85550-20	. ROTOR ASS'Y	1	
3	1M2-85509-20	. BASE, magneto	1	
4	2X7-85512-20	. COIL, source	1	
5	98501-05018	. SCREW, panhead	2	
6	98501-05025	. SCREW, panhead	2	
7	92901-05100	. WASHER, spring	4	
8	2X9-85580-20	. COIL, pulser	1	
9	98501-04018	. SCREW, panhead	2	
10	92901-04100	. WASHER, spring	2	
11	2X5-85515-20	. LEAD WIRE ASS'Y	1	
12	104-81328-20	. CLAMP, lead	1	
13	98501-04006	. SCREW, panhead	1	
14	92901-04100	. WASHER, spring	1	
15	92501-06020	SCREW, panhead	3	
16	92901-06600	WASHER, plate	3	

Fig. 14 FRAME · SIDE COVER



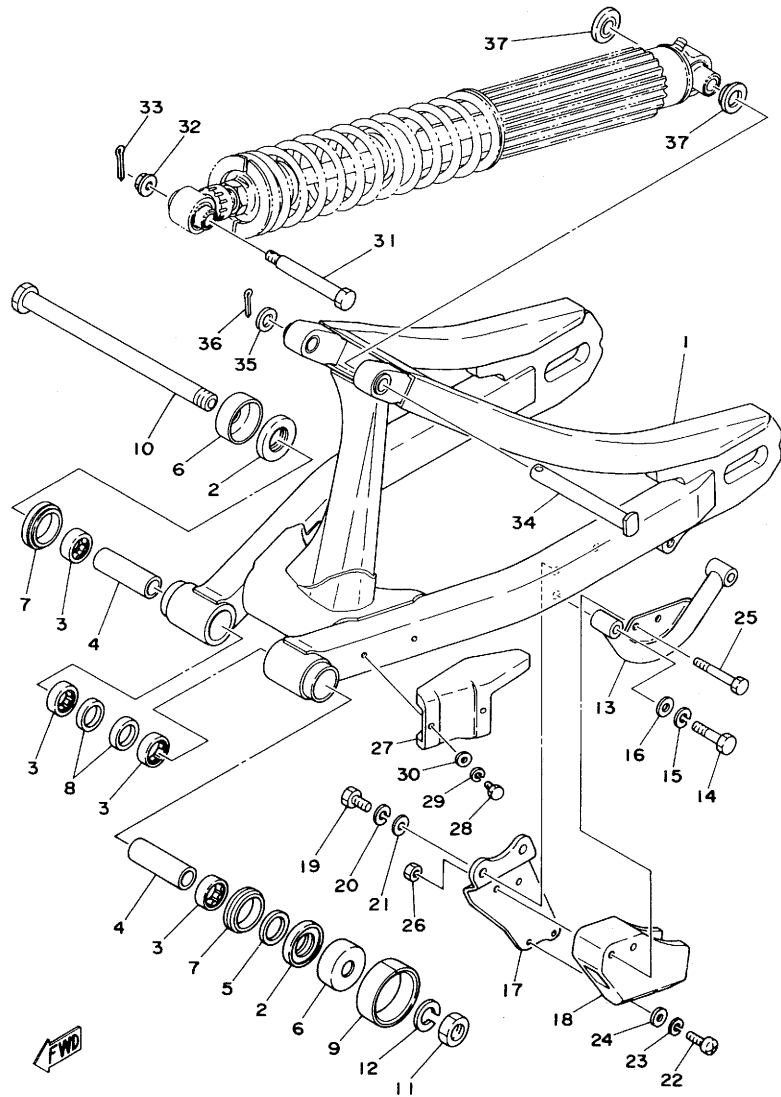
Ref.No.	Part No.	Description	Q'ty	Remarks
14	1	2X4-21110-00-33	1	Yamaha Black
		2X4-21110-10-33	1	Yamaha Black Exclusive for Europe
2	2X4-21415-00	BRACKET, front upper	2	
3	97301-08025	BOLT, hexagon	4	
4	92901-08100	WASHER, spring	4	
5	92901-08600	WASHER, plate	4	
6	2X5-21427-00	BRACKET, rear under left	1	
7	2X5-21455-00	PLATE, patch	1	
8	2X4-21428-00	BRACKET, rear under right	1	
9	2X5-21459-00	SPACER, engine mount upper	1	
10	2K7-21424-00	BOSS, engine mount	1	
11	95801-08016	BOLT, flange	2	
12	95811-08090	BOLT, flange	2	
13	95811-08100	BOLT, flange	1	
14	95811-08180	BOLT, flange	1	
15	92901-08200	WASHER, plain	4	
16	90185-08054	NUT, U	4	
17	90339-13005	PLUG	2	
	90339-13005	PLUG	1	Exclusive for Europe
18	90336-13032	PLUG	1	Exclusive for Europe
19	2X4-21711-00-98	COVER, side left	1	Competition Yellow /Low Gloss Black
	2X4-21711-10-98	COVER, side left	1	Clean White /Low Gloss Black
20	2X4-21721-00-98	COVER, side right	1	Competition Yellow /Low Gloss Black
	2X4-21721-10-98	COVER, side right	1	Clean White /Low Gloss Black
21	98901-06012	SCREW, bind	5	
22	90201-06571	WASHER, plate (6.5-20-1.6)	5	
23	431-24181-00	DAMPER, side cover	3	
24	2X5-21737-00	EMBLEM, side cover	1	
25	1W4-28100-10	TOOL ASS'Y	1	
26	1W1-28135-00	SPANNER, special	1	
27	2X4-2811A-00	GAUGE, fork air chamber	1	
28	803-82591-00	BAND, switch cord	1	
29	1W1-24181-00	DAMPER, locating 1	1	
30	1W1-24183-00	DAMPER, locating 3	1	

Fig. 14 FRAME · SIDE COVER



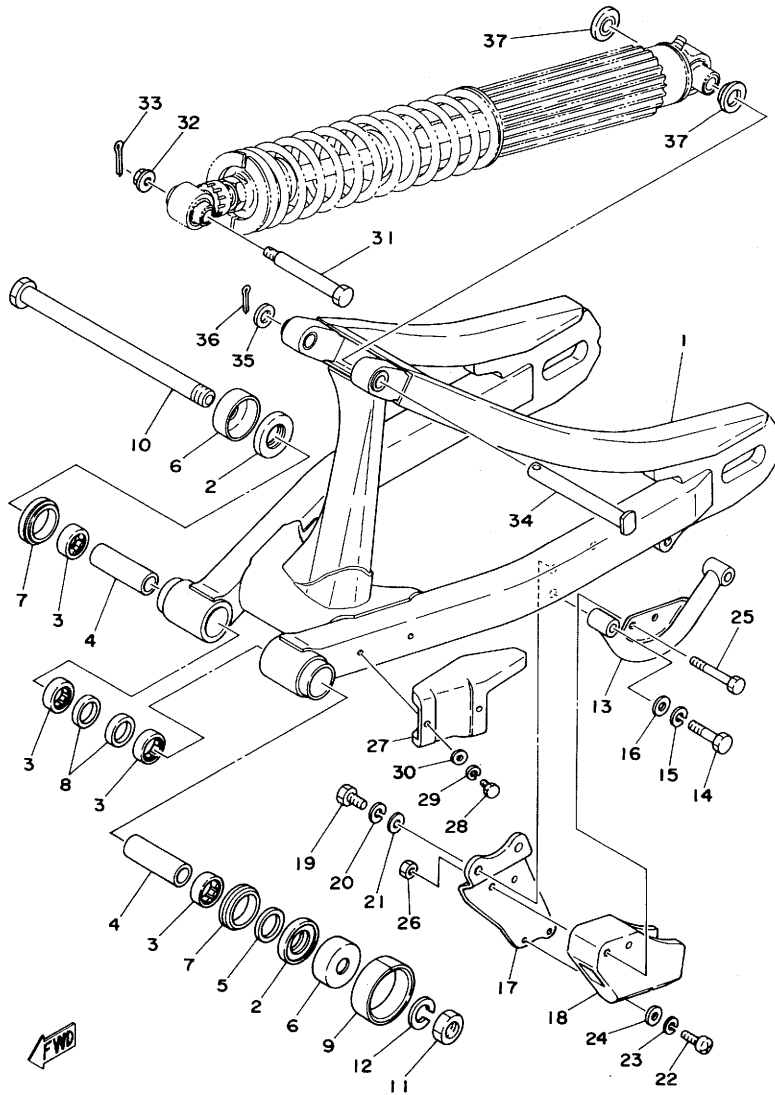
Ref.No.	Part No.	Description	Q'ty	Remarks
14-31	2X4-24183-00	DAMPER, locating 3	1	
32	2K6-2148A-02	SHAFT	2	
33	2K6-22178-00	TENSIONER	2	
34	90201-13202	WASHER, plain (201-15653-00)	4	
35	1W1-18136-00	CLIP	2	
36	97301-08020	BOLT, hexagon	2	
37	92901-08100	WASHER, spring	2	
38	92901-08200	WASHER, plain	2	

Fig. 15 REAR ARM



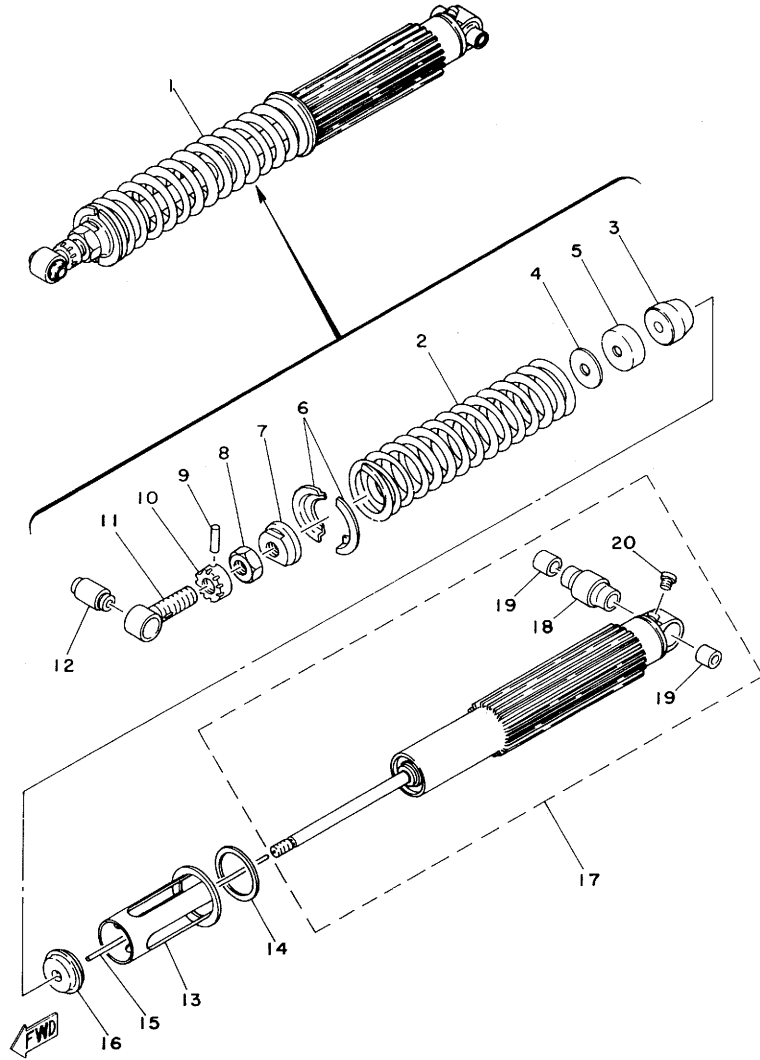
Ref.No.	Part No.	Description	Q'ty	Remarks	
15-	1	2X4-22110-01-35	REAR ARM COMP.	1	Silver
	2	93342-22205	BEARING	2	
	3	93317-22214	BEARING	4	
	4	90380-16056	BUSHING	2	
	5	648-45533-00-03	WASHER, plate	U.N.	
	6	2X4-22129-00	COVER, thrust 2	2	
	7	93108-35004	OIL SEAL (OSO-35-41.5-8)	2	
	8	93109-22018	OIL SEAL (SDO-22-29-4)	2	
	9	2W6-22151-00	SEAL, guard	1	
	10	1W4-22141-00	SHAFT, pivot	1	
	11	90170-16111	NUT, hexagon	1	
	12	92901-16100	WASHER, spring	1	
	13	2X4-22153-00	GUARD, chain	1	
	14	97301-08035	BOLT, hexagon	2	
	15	92901-08100	WASHER, spring	2	
	16	92901-08600	WASHER, plate	2	
	17	2X4-22179-00	ARM, tensioner	1	
	18	2X4-22199-00	SUPPORT, chain	1	
	19	97301-08016	BOLT, hexagon	2	
	20	92901-08100	WASHER, spring	2	
	21	92901-08600	WASHER, plate	2	
	22	92501-06020	SCREW, panhead	2	
	23	92901-06100	WASHER, spring	2	
	24	92901-06600	WASHER, plate	2	
	25	97301-06050	BOLT, hexagon	2	
	26	95601-06100	NUT, U	2	
	27	2X4-22147-00	PROTECTOR, chain	1	
	28	97301-05010	BOLT, hexagon	2	
	29	92901-05100	WASHER, spring	2	
	30	92901-05200	WASHER, plain	2	
	31	90109-08480	BOLT	1	
	32	90179-08243	NUT	1	
	33	91401-20015	PIN, cotter	1	

Fig. 15 REAR ARM



Ref.No.	Part No.	Description	Q'ty	Remarks
15-34	90240-12060	PIN, with hole	1	
	35	92901-12600	WASHER, plate (183-22142-10)	1
	36	91401-30022	PIN, cotter	1
	37	1W1-22128-00	COVER, thrust	2

Fig. 16 REAR CUSHION

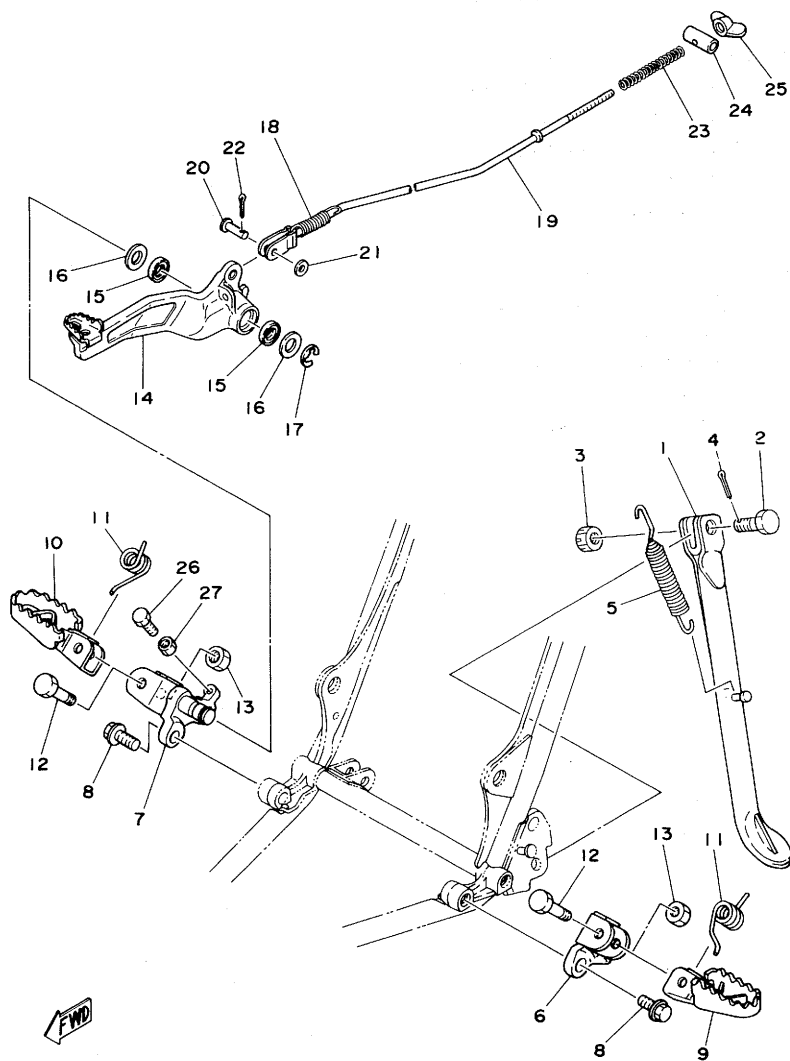


Ref.No.	Part No.	Description	Q'ty	Remarks
16- 1	2X5-22210-00	REAR CUSHION ASS'Y	1	
2	90501-99479	. SPRING, compression ($K_1=2.55$ $K_2=5.03$ kg/mm)	1	STD (Painted Blue)
3	2X4-22493-00	. STOPPER, bump	1	
4	2X4-22228-00	. SUPPORT, bump stop	1	
5	2X4-22221-00	. COVER, bump stop	1	
6	2K6-22214-00	. GUIDE, spring upper	2	
7	2K6-22213-00	. SEAT, spring upper	1	
8	90170-20213	. NUT, hexagon	1	
9	93604-26132	. PIN, dowel (3.5-25.8)	1	
10	1W1-22497-00	. NUT, adjusting	1	
11	2X4-22219-00	. BRACKET, upper	1	
12	1W1-22216-00	. BUSHING, upper bracket	1	
13	2X4-22224-00	. GUIDE, spring 2	1	
14	2X4-22223-00	. SEAT, spring under	1	
15	2X4-22489-00	. ROD, push	1	
16	2X4-22472-00	. CAP, case	1	
17	2X4-22401-00	. DAMPER SUB ASS'Y	1	
18	1W1-22226-00	. BUSHING, lower	1	
19	90380-12051	. BUSHING, solid	2	
20	98501-04005	. SCREW, panhead	1	

ALTERNATE PARTS

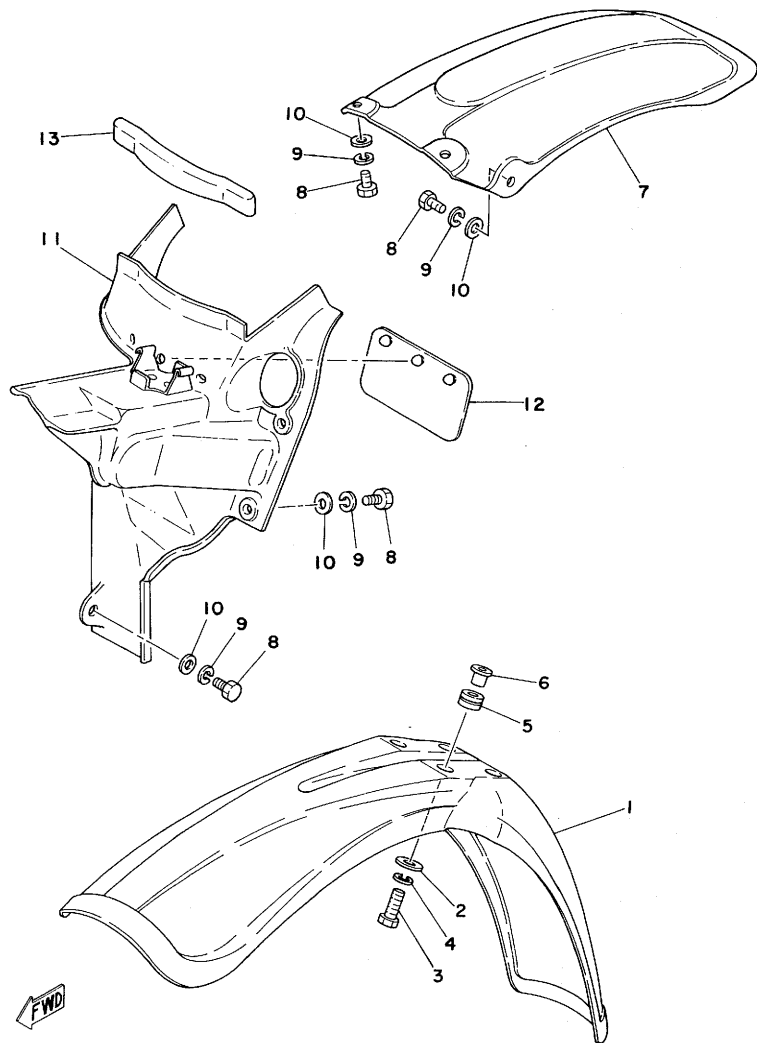
2	90501-99481	SPRING, compression ($K_1=2.09$ $K_2=4.91$ kg/mm)	1	Soft (Painted Yellow)
	90501-99480	SPRING, compression ($K_1=2.96$ $K_2=5.05$ kg/mm)	1	Hard (Painted Red)

Fig. 17 STAND · FOOTREST · BRAKE PEDAL



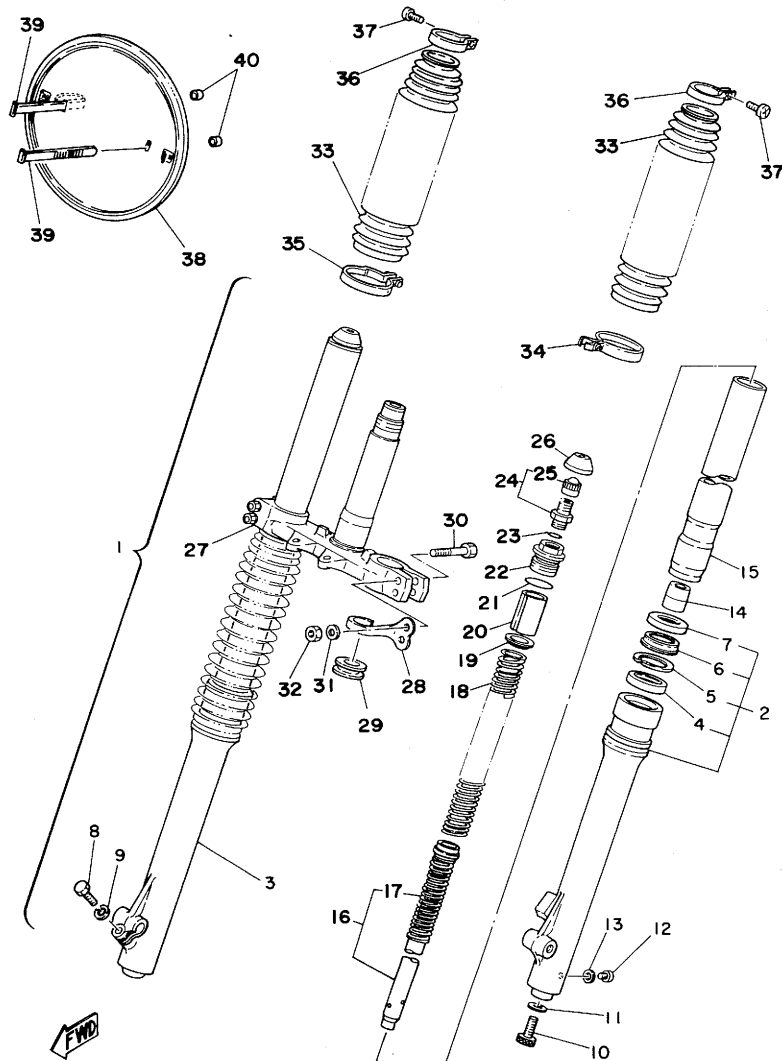
Ref.No.	Part No.	Description	Q'ty	Remarks
17- 1	2K7-27311-00	STAND, side	1	
2	90102-10006	BOLT, hexagon (278-27317-00)	1	
3	95302-10900	NUT, slotted	1	
4	91401-20025	PIN, cotter	1	
5	90507-29008	SPRING, tension	1	
6	2X4-27412-00	BRACKET, footrest left	1	
7	2X4-27422-00	BRACKET, footrest right	1	
8	90105-12096	BOLT	4	
9	2W6-27411-00	FOOTREST, left	1	
10	2W6-27421-00	FOOTREST, right	1	
11	90508-20023	SPRING, torsion (214-27426-00)	2	
12	90101-08428	BOLT, hexagon	2	
13	95601-08100	NUT, U	2	
14	2X4-27200-01	PEDAL, brake	1	
15	93109-14021	OIL SEAL (SD0-14-20-3.2)	2	
16	90201-14536	WASHER, plate	2	
17	93430-10015	CIRCLIP (E-10)	1	
18	90506-20192	SPRING, tension	1	
19	2X4-27231-00	ROD, brake	1	
20	90240-06040	PIN, with hole	1	
21	92901-06200	WASHER, plain	1	
22	91401-20012	PIN, cotter	1	
23	90501-10245	SPRING (180-27236-00)	1	
24	90249-12069	PIN	1	
25	90175-06013	NUT, wing	1	
26	97301-06020	BOLT, hexagon	1	
27	95301-06700	NUT, hexagon	1	

Fig. 18 FRONT FENDER · REAR FENDER



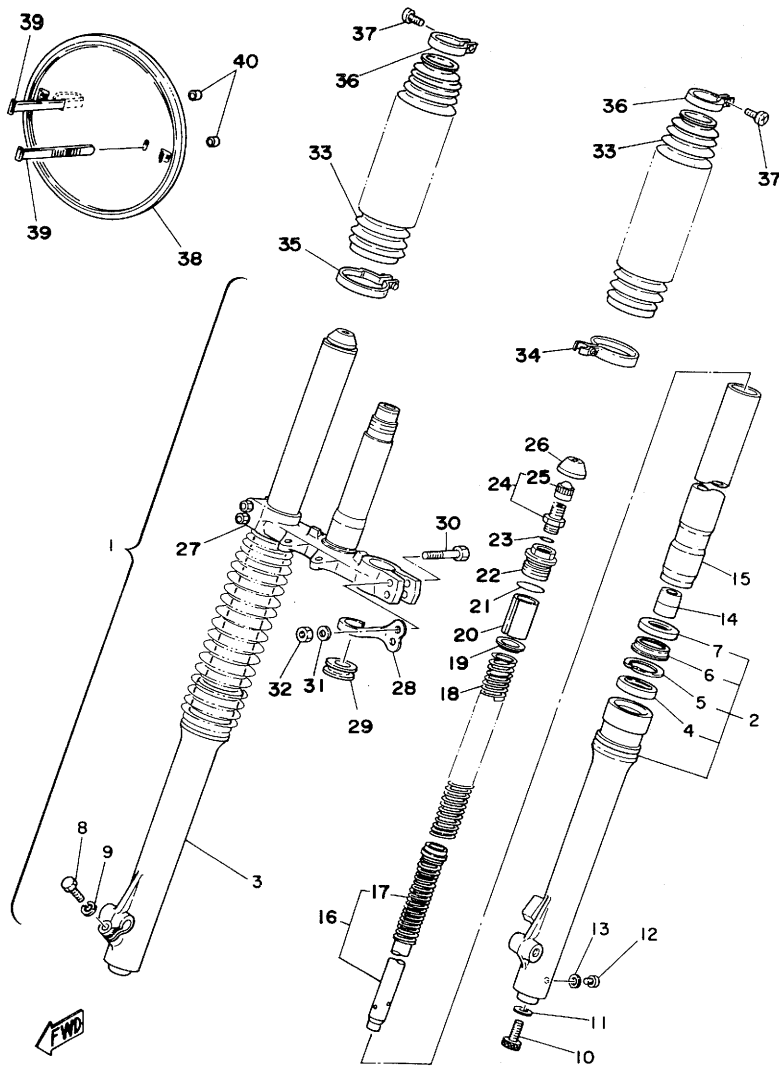
Ref.No.	Part No.	Description	Q'ty	Remarks
18- 1	1W1-21511-00	FENDER, front	1	Competition Yellow
	1W1-21511-10	FENDER, front	1	Clean White
2	90201-06067	WASHER, plate (6.5-20-1.6)	4	
3	97301-06025	BOLT, hexagon	4	
4	92901-06100	WASHER, spring	4	
5	90480-14198	GROMMET	4	
6	90387-07391	COLLAR	4	
7	2K8-21611-00	FENDER, rear	1	Competition Yellow
	2K8-21611-10	FENDER, rear	1	Clean White
8	97301-06014	BOLT, hexagon	7	
9	92901-06100	WASHER, spring	7	
10	90201-06067	WASHER, plate (6.5-20-1.6)	7	
11	2X5-21620-00	MUD GUARD COMP.	1	
12	1M1-21621-00	FLAP	1	
13	565-21746-00	SEAL, mud guard	1	

Fig. 19 FRONT FORK



Ref.No.	Part No.	Description	Q'ty	Remarks
19- 1	2X4-23101-L0	FRONT FORK ASS'Y	1	
2	2K8-23126-L0	. TUBE, outer left	1	
3	2K8-23136-L0	. TUBE, outer right	1	
4	1W4-23145-L0	. . OIL SEAL	2	
5	1W4-23156-L0	. . CIRCLIP	2	
6	1W4-23144-L0	. . SEAL, dust	2	
7	1W4-23148-L0	. . CASE, dust seal	2	
8	1W4-23128-L0	. BOLT, front fork	1	
9	92901-08100	. WASHER, spring	5	
10	2K8-23181-L0	. BOLT, hexagon sockethead	2	
11	2K8-23158-L0	. PACKING	2	
12	122-23119-01	. PLUG, drain	2	
13	122-23129-00	. GASKET, drain plug	2	
14	2K8-23173-L0	. TAPER SPINDLE	2	
15	2X4-23110-L0	. TUBE, inner	2	
16	2X4-23170-L0	. CYLINDER COMP., front fork	2	
17	2X4-23151-L0	. . SUB, spring	2	
18	2X4-23141-L0	. SPRING, front fork (K=0.268 kg/mm)	2	
19	1W4-23142-L0	. GUIDE, fork spring	2	
20	1W4-23118-L0	. SPACER	2	
21	1W4-23114-L0	. O-RING	2	
22	1W4-23111-L1	. CAP BOLT, front fork	2	
23	509-23163-L0	. O-RING	2	
24	509-23190-L0	. AIR VALVE ASS'Y	2	
25	509-23184-L0	. . CAP, valve	2	
26	1W1-23185-L0	. CAP, front fork	2	
27	2X4-23340-L0-33	. UNDER BRACKET COMP.	1	Yamaha Black
28	1W1-23317-01	. HOLDER, wire	1	
29	1W1-23389-00	. GUIDE, wire	1	
30	90109-08397	. BOLT	4	
31	90201-08544	. WASHER, plate	4	
32	95311-08600	. NUT, hexagon	4	
33	2X4-23191-L0	BOOT	2	Yellow, (for Competition Yellow)
	2X4-23191-M0	BOOT	2	Black (for Clean White)
34	1W4-23318-L1	CLIP, front fork	1	

Fig. 19 FRONT FORK

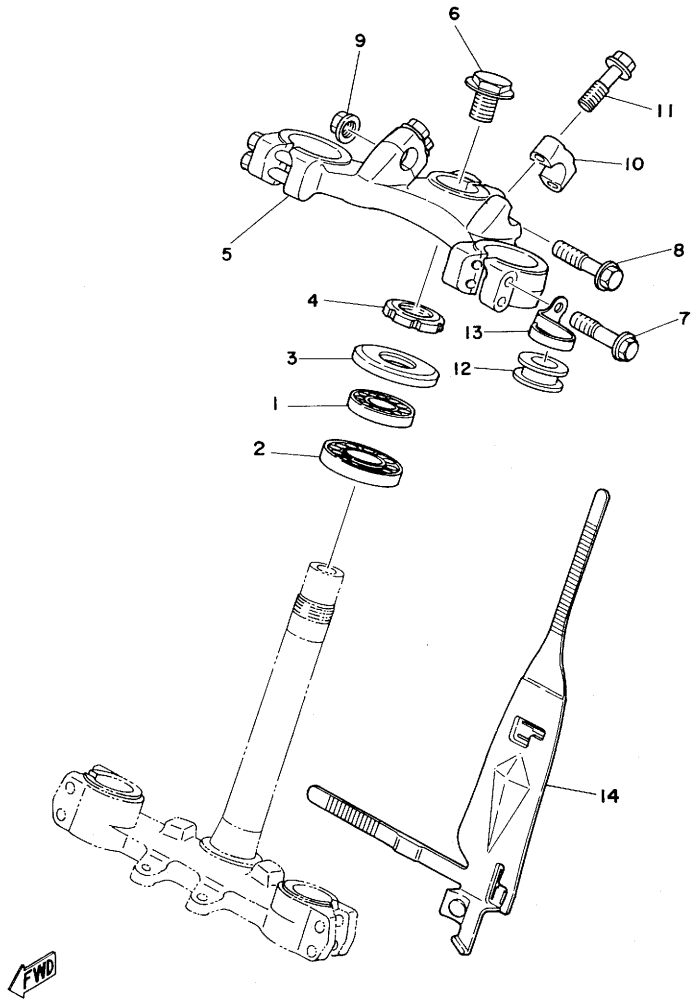


Ref.No.	Part No.	Description	Q'ty	Remarks
19-35	1W4-23489-L0	BAND, fork boot under	1	
36	1W4-92090-L0	BAND, fork boot upper	2	
37	509-23194-L0	SCREW	2	
38	2X4-23485-00	PLATE, number	1	
39	2X4-23489-00	BAND	2	
40	90446-09158	HOSE	2	

ALTERNATE PARTS

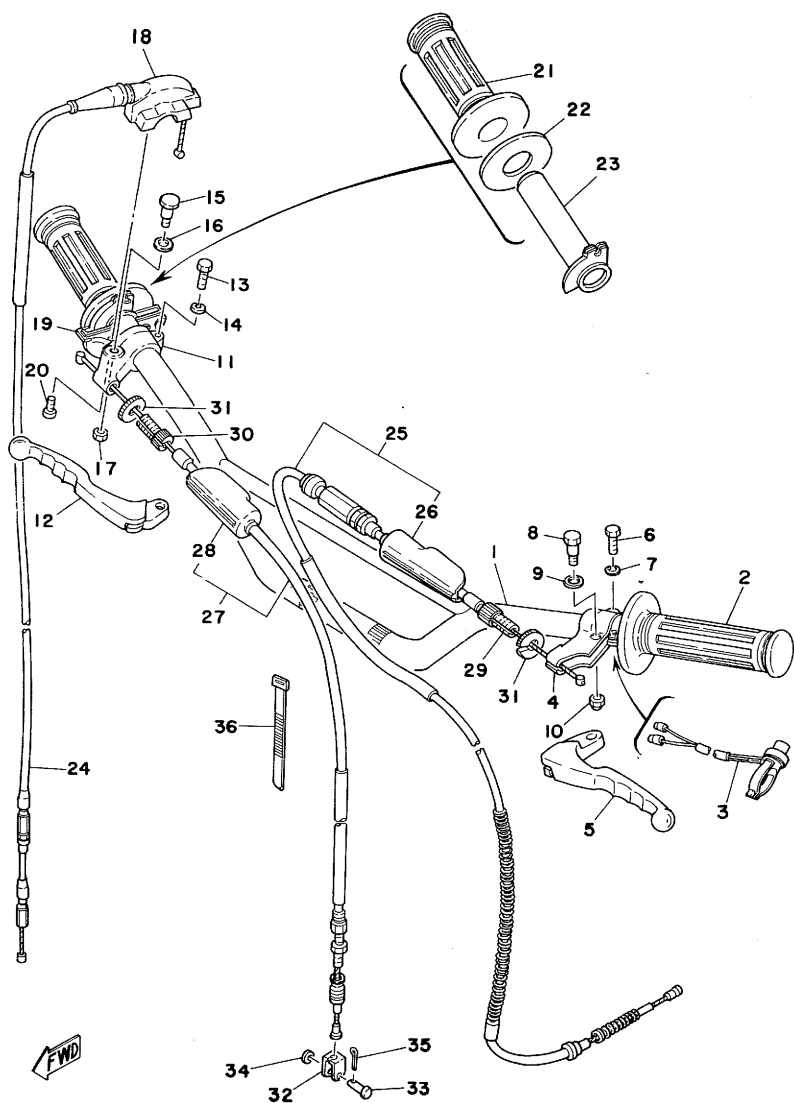
18	2X4-23141-10	SPRING, front fork (K=0.214 kg/mm)	2	Soft (Use spacer 1W4-23118-L0 with set)
	2X4-23141-20	SPRING, front fork (K=0.333 kg/mm)	2	Hard (Use spacer 1W4-23118-L0 with set)

Fig. 20 STEERING



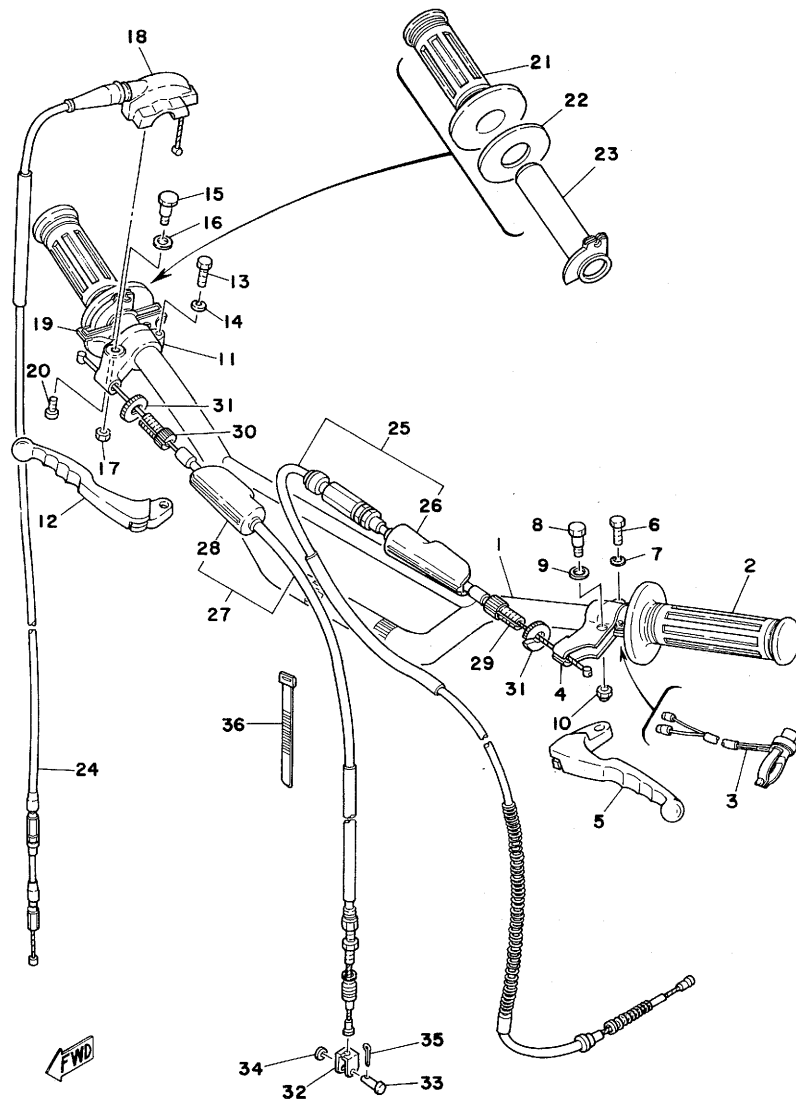
Ref.No.	Part No.	Description	Q'ty	Remarks
20- 1	93332-00001	BEARING	1	
2	93332-00008	BEARING	1	
3	1W1-23416-00	COVER, ball race	1	
4	90179-25033	NUT (137-23454-00)	1	
5	1W4-23435-00-98	CROWN, handle	1	Low Gloss Black
	1W1-23435-01-98	CROWN, handle	1	Exclusive for Iran Low Gloss Black
6	90105-14060	BOLT	1	
7	95821-08040	BOLT, flange	4	
8	95821-08055	BOLT, flange	1	
9	95701-08100	NUT, flange	1	
10	1E6-23441-00-98	HOLDER, handle upper	2	Low Gloss Black
11	95821-08035	BOLT, flange	4	
12	1W1-23389-00	GUIDE, wire	1	
13	1W1-23317-01	HOLDER, wire	1	
14	2X4-23389-00	GUIDE, wire	1	

Fig. 21 HANDLE · WIRE



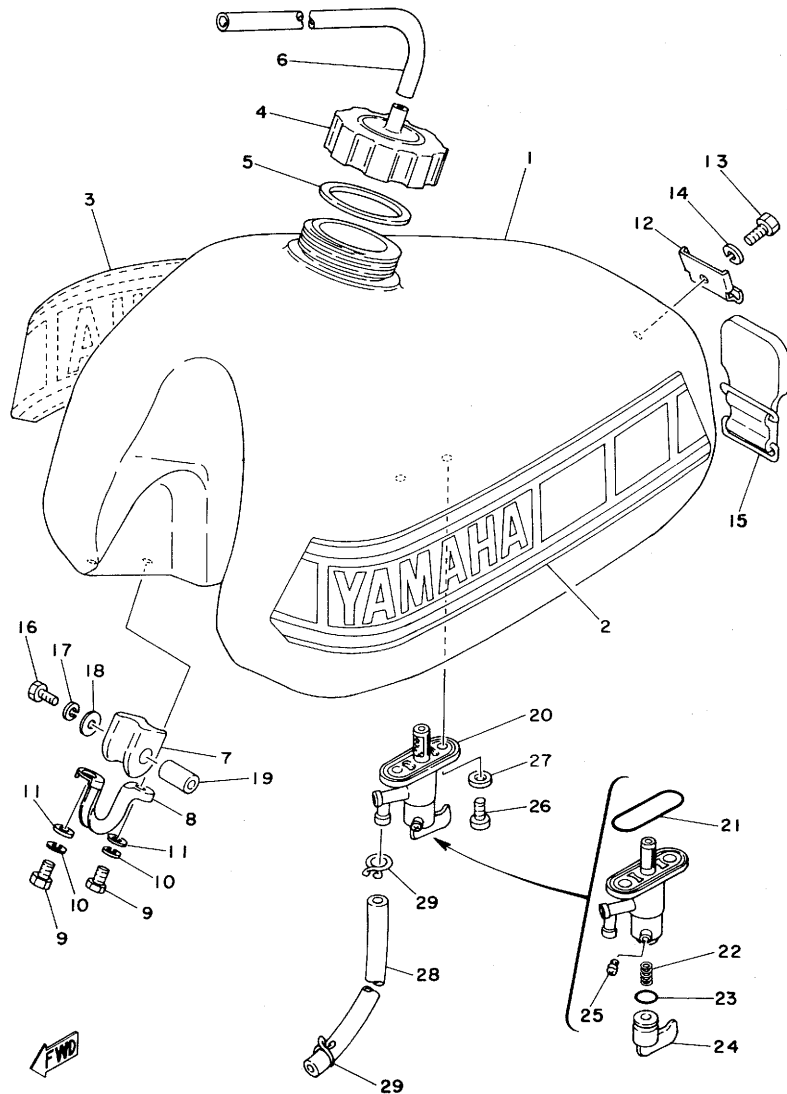
Ref.No.	Part No.	Description	Qty	Remarks
21- 1	2X4-26111-00	HANDLE	1	
2	583-26241-00	GRIP, left	1	
3	1J4-83976-00	SWITCH, handle 1	1	
4	461-82911-00	HOLDER, lever left	1	
5	2K6-83912-00	LEVER, left	1	
6	97301-06022	BOLT, hexagon	1	
7	92901-06100	WASHER, spring	1	
8	90109-06410	BOLT	1	
9	90201-08083	WASHER, plate (156-27226-00)	1	
10	95601-06100	NUT, U	1	
11	516-82921-30	HOLDER, lever right	1	
12	2K6-83922-00	LEVER, right	1	
13	97301-06022	BOLT, hexagon	1	
14	92901-06100	WASHER, spring	1	
15	90109-06410	BOLT	1	
16	90201-08083	WASHER, plate (156-27226-00)	1	
17	95601-06100	NUT, U	1	
18	431-26281-01	CAP, grip upper	1	
19	431-26282-01	CAP, grip under	1	
20	98503-05015	SCREW, panhead	2	
21	583-26242-00	GRIP, right	1	
22	1W1-26249-00	RING, leaf	1	
23	431-26243-00	TUBE, guide	1	
24	2K8-26311-01	WIRE, throttle 1 (1130mm)	1	
25	2K7-26335-00	WIRE, clutch (1150mm)	1	
26	382-26372-01	. COVER, lever	1	
27	1W4-26341-02	WIRE, brake front (1230mm)	1	
28	328-26372-01	. COVER, lever	1	
29	90123-08013	BOLT, wire adjusting (156-26346-00)	1	
30	90123-08046	BOLT, wire adjusting	1	
31	90179-08148	NUT (168-26344-00)	2	
32	156-26347-00	JOINT, wire	1	
33	90240-08012	PIN, with hole (156-27229-00)	1	

Fig. 21 HANDLE · WIRE



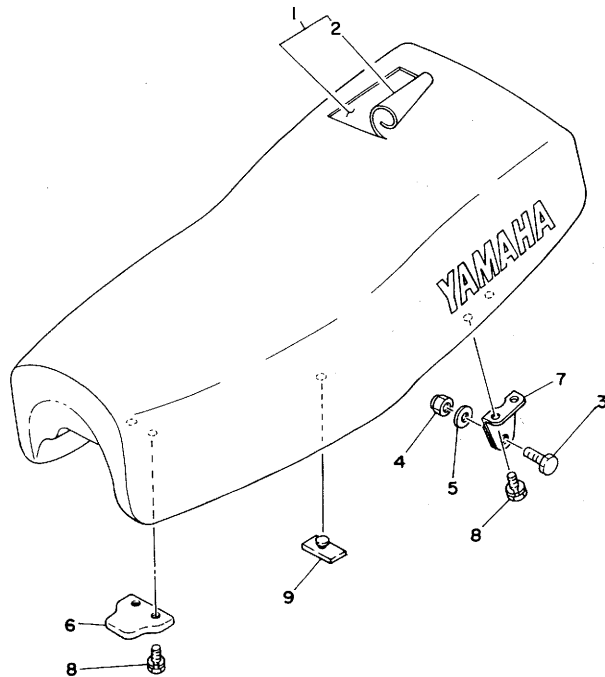
Ref.No.	Part No.	Description	Q'ty	Remarks
21-34	90201-08083	WASHER, plate (156-27226-00)	1	
35	91401-20012	PIN, cotter	1	
36	437-83936-00	BAND, switch cord	2	

Fig. 22 FUEL TANK



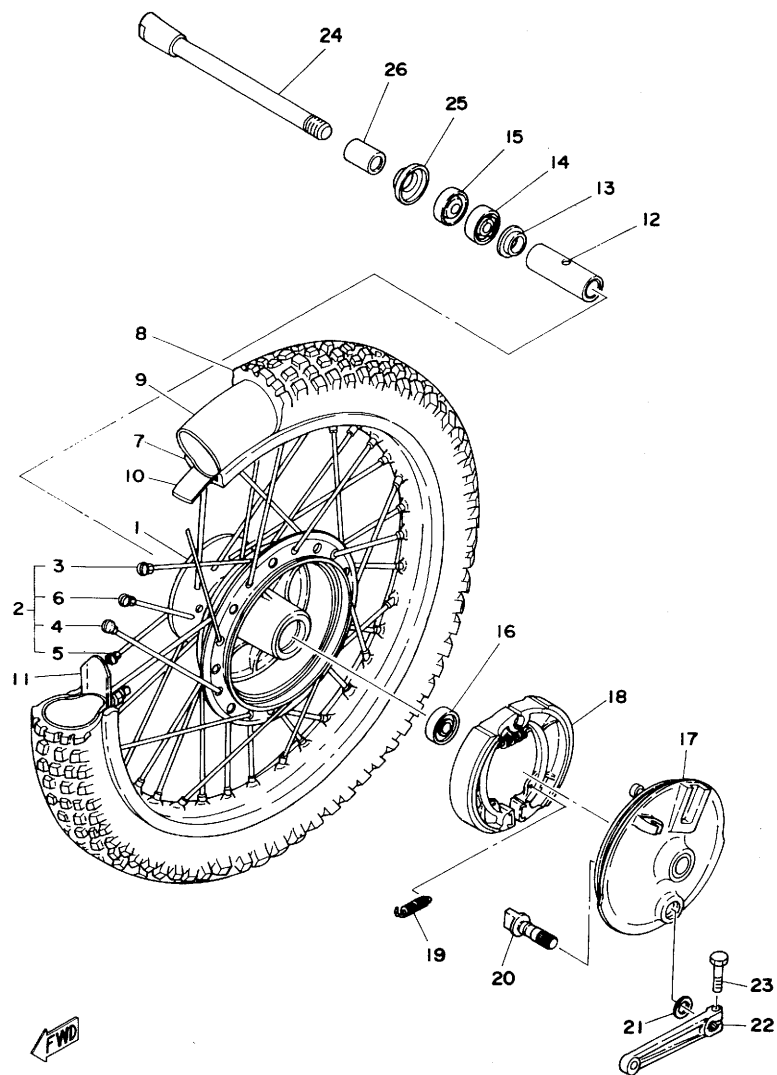
Ref.No.	Part No.	Description	Q'ty	Remarks
22- 1	2X4-24110-00	FUEL TANK COMP.	1	Competition Yellow
	2X4-24110-10	FUEL TANK COMP.	1	Clean White
2	2X4-24244-20	GRAPHIC, fuel tank left	1	for Competition Yellow
	2X4-24244-30	GRAPHIC, fuel tank left	1	for Clean White
3	2X4-24245-20	GRAPHIC, fuel tank right	1	for Competition Yellow
	2X4-24245-30	GRAPHIC, fuel tank right	1	for Clean White
4	1W1-24611-00	BODY, tank cap	1	
5	1W1-24612-00	GASKET, tank cap	1	
6	90445-09117	HOSE (170-21766-00 5-540)	1	
7	1W1-24182-01	DAMPER, locating 2	2	
8	1W1-24144-01	HOLDER, damper	2	
9	97301-06012	BOLT, hexagon	4	
10	92901-06100	WASHER, spring	4	
11	92901-06600	WASHER, plate	4	
12	1W1-24192-00	BRACKET, fuel tank	1	
13	97301-06012	BOLT, hexagon	1	
14	92901-06100	WASHER, spring	1	
15	1W1-24173-00	BAND, tank fitting 1	1	
16	97321-06035	BOLT, hexagon	2	
17	92901-06100	WASHER, spring	2	
18	90201-06407	WASHER, plate (6.2-25-1.6)	2	
19	90387-07393	COLLAR (308-84557-00 7-10-20)	2	
20	2K5-24500-00	FUEL COCK ASS'Y	1	
21	214-24512-00	. GASKET, body	1	
22	1A0-24529-01	. SPRING	1	
23	1A0-24512-00	. O-RING	1	
24	1A0-24524-01	. LEVER, cock	1	
25	619-24535-00	. SCREW	1	
26	90149-06011	SCREW (256-24143-00)	2	
27	90202-06010	WASHER, plate (178-14766-00)	2	
28	90445-11182	HOSE (7-300)	1	
29	90467-10008	CLIP (143-24356-00)	2	

Fig. 23 SEAT



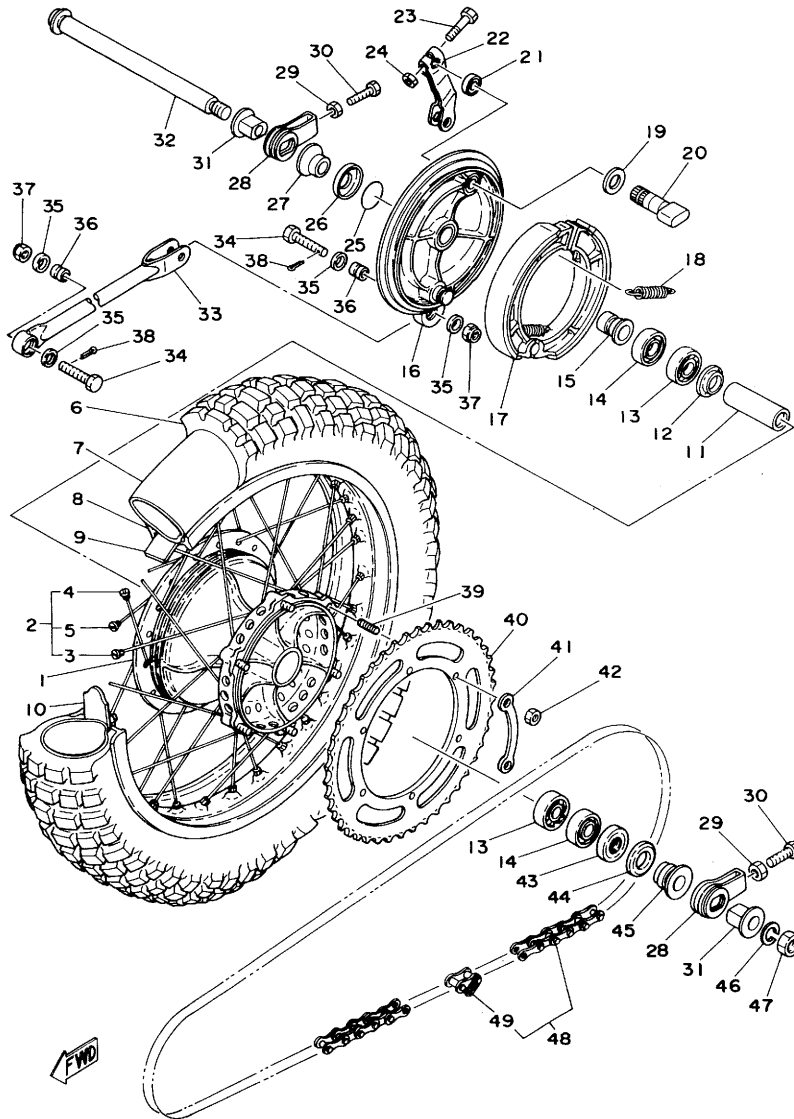
Ref.No.	Part No.	Description	Q'ty	Remarks
23- 1	2X4-24770-90	SEMI DOUBLE SEAT ASS'Y	1	
2	2X4-24771-00	COVER, semi double seat	1	
3	97301-06035	BOLT, hexagon	2	
4	95601-06100	NUT, U	2	
5	92901-06200	WASHER, plain	2	
6	1M1-24748-00	BRACKET, seat front	1	
7	1W1-24738-00	BRACKET, seat rear	2	
8	90101-06304	BOLT	6	
9	509-24724-00	DAMPER, seat	6	

Fig. 24 FRONT WHEEL



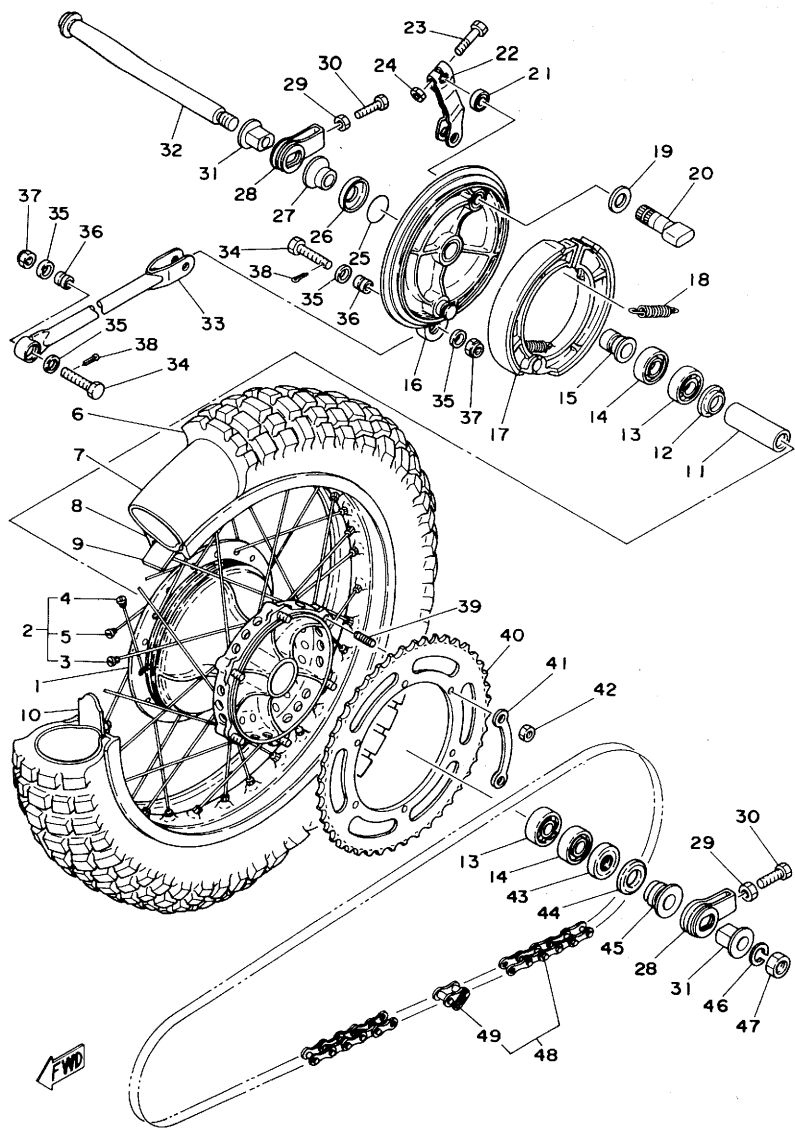
Ref.No.	Part No.	Description	Q'ty	Remarks	
24-	1	1K7-25111-10-98	HUB, front	1	Low Gloss Black
	2	2W6-25104-00	SPOKE SET, front	1s	
	3	2W6-25196-90	. SPOKE SET, inner left (10 PCS)	1s	
	4	2W6-25197-90	. SPOKE SET, outer left (10 PCS)	1s	
	5	2W6-25179-90	. SPOKE SET, outer right (10 PCS)	1s	
	6	2W6-25189-90	. SPOKE SET, inner right (10 PCS)	1s	
	7	94416-21104	RIM, front (1.60-21)	1	
	8	94130-21520	TIRE, front (3.00-21-4PR)	1	
	9	94230-21126	TUBE, front (3.00-21)	1	
	10	94330-21088	BAND, rim (3.00-21)	1	
	11	1T1-25194-00	SPACER, bead	1	
	12	90560-15116	SPACER (322-25117-00)	1	
	13	146-25116-00	FLANGE, spacer	1	
	14	93306-20205	BEARING (B6202)	1	
	15	93102-20009	OIL SEAL (SD-20-35-7)	1	
	16	93306-20203	BEARING (B6202RS)	1	
	17	1W1-25121-01-98	PLATE, brake shoe	1	Low Gloss Black
	18	322-25130-00	BRAKE SHOE COMP.	2	
	19	90506-16036	SPRING, tension (183-25333-00)	2	
	20	322-25151-00	CAMSHAFT	1	
	21	137-25159-00	SEAL, camshaft	1	
	22	322-25155-00	LEVER, camshaft	1	
	23	90101-06291	BOLT, hexagon	1	
	24	509-25181-00	SHAFT, wheel	1	
	25	322-25118-00	COVER, hub dust	1	
	26	90387-15535	COLLAR (15-20-28.5)	1	

Fig. 25 REAR WHEEL



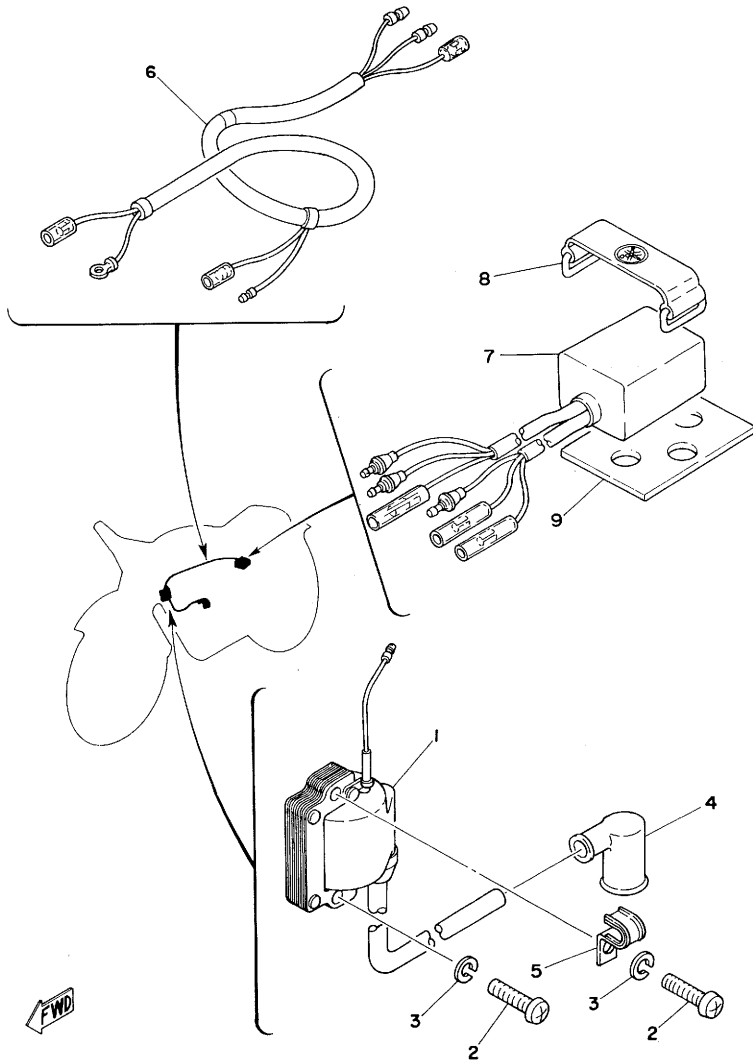
Ref.No.	Part No.	Description	Q'ty	Remarks
25- 1	483-25311-13-98	HUB, rear	1	Low Gloss Black
2	2X5-25304-00	SPOKE SET, rear	1s	
3	2X5-25396-90	. SPOKE SET, inner left (10 PCS)	1s	
4	2X5-25391-90	. SPOKE SET, inner right (10 PCS)	1s	
5	2X5-25392-90	. SPOKE SET, outer right (10 PCS)	1s	
6	94151-18512	TIRE, rear (5.10-18-4PR)	1	
7	94245-18125	TUBE, rear (4.50-18)	1	
8	94425-18218	RIM, rear (2.50-18)	1	
9	94345-18081	BAND, rim (4.50-18)	1	
10	2X5-25394-00	SPACER, bead	2	
11	483-25317-01	SPACER, bearing	1	
12	483-25315-00	FLANGE, spacer	1	
13	93306-20309	BEARING (B6203)	2	
14	93306-20310	BEARING (B6203RS)	2	
15	90387-17700	COLLAR	1	
16	2X4-25321-00-98	PLATE, brake shoe	1	Low Gloss Black
17	2X4-25330-00	BRAKE SHOE COMP.	2	
18	90507-20002	SPRING, tension (246-25333-00)	2	
19	90564-14021	SHIM	1	
20	1E2-25151-00	CAMSHAFT	1	
21	148-25359-00	SEAL, camshaft	1	
22	2X4-25355-00	LEVER, camshaft	1	
23	90101-06278	BOLT, hexagon	1	
24	95301-06600	NUT, hexagon	1	
25	93210-31114	O-RING	1	
26	275-25327-00	COVER, plate dust	1	
27	90387-17651	COLLAR	1	
28	2K8-25388-00	PULLER, chain	2	
29	95301-08700	NUT, hexagon	2	
30	90101-08034	BOLT, hexagon (168-25379-00)	2	
31	90381-17027	BUSHING, solid	2	
32	2K8-25381-00	SHAFT, wheel	1	
33	2X4-25371-00	BAR, tension	1	

Fig. 25 REAR WHEEL



Ref.No.	Part No.	Description	Qty	Remarks
25-34	90102-08034	BOLT	2	
35	91304-11056	OIL SEAL (SO-12-17-2.5)	4	
36	90387-08699	COLLAR	2	
37	95611-08100	NUT, U	2	
38	91401-20015	PIN, split	2	
39	90116-08218	BOLT, stud	6	
40	431-25448-02	GEAR, sprocket wheel (48T)	U.R. 1	STD
	431-25450-04	GEAR, sprocket wheel (50T)		
	431-25452-04	GEAR, sprocket wheel (52T)		
41	583-25412-00	WASHER, lock	3	
42	90170-08193	NUT, hexagon	6	
43	93102-25030	OIL SEAL (SD-25-40-8)	1	
44	431-25367-00	COVER, dust	1	
45	90387-17650	COLLAR	1	
46	92901-16100	WASHER, spring	1	
47	90170-16177	NUT, hexagon	1	
48	94580-11108	CHAIN (DID520TR-108L)	1	
49	94680-11001	JOINT, chain	1	

Fig. 26 ELECTRICAL



Ref.No.	Part No.	Description	Qty	Remarks
26- 1	1M2-82310-40	IGNITION COIL ASS'Y	1	
2	92501-06025	SCREW, panhead	2	
3	92901-06100	WASHER, spring	2	
4	294-82370-00	PLUG CAP ASS'Y	1	
5	90462-05005	CLAMP (363-15485-01)	1	
6	1W4-82590-00	WIRE HARNESS ASS'Y	1	
7	2X7-85540-20	C.D.I. UNIT ASS'Y	1	
8	288-21376-00	BAND, battery	1	
9	2K7-85547-00	DAMPER	1	

REPAIR KIT

Fig. 27 REPAIR KIT

Ref.No.	Part No.	Description	Q'ty	Remarks	Ref.No.	Part No.	Description	Q'ty	Remarks
27- 1	2X5-11630-00	PISTON ASS'Y (STD)	1s		27-21	214-11198-01	. GASKET, drain plug	1	Ref. No. 7-15
	2X5-11630-10	PISTON ASS'Y (1st O.S)	1s		22	2K7-13621-00	. PACKING, valve seat	1	10-28
	2X5-11630-20	PISTON ASS'Y (2nd O.S)	1s		23	363-14184-00	. GASKET, float chamber	1	11-12
	2X5-11630-30	PISTON ASS'Y (3rd O.S)	1s		24	1M1-14714-00	. GASKET, muffler joint	1	12-11
	2X5-11630-40	PISTON ASS'Y (4th O.S)	1s		25	2K7-W0003-00	OIL SEAL KIT	1s	
2	2X5-11631-00-96	. PISTON (84.96mm STD)	1	U.R. } Ref. No. 4-8	26	93103-30092	. OIL SEAL (SW-30-55-10)	1	4-14
	2X5-11631-00-97	. PISTON (84.97mm STD)			27	93103-40091	. OIL SEAL (SW-40-55-10)	1	4-15
	2X5-11635-00	. PISTON (85.25mm 1st O.S)			28	93102-17004	. OIL SEAL (SD-17-28-6)	1	5-24
	2X5-11636-00	. PISTON (85.50mm 2nd O.S)			29	93102-32136	. OIL SEAL (SD-32-42-6)	1	6-31
	2X5-11637-00	. PISTON (85.75mm 3rd O.S)			30	93101-12004	. OIL SEAL (S-12-22-5)	1	8-6
	2X5-11638-00	. PISTON (86.00mm 4th O.S)			31	93109-20014	. OIL SEAL (SD0-20-30-4.5)	1	9.9
3	2X5-11601-00	. PISTON RING SET (STD)	1s	4-9					
	2X5-11601-10	. PISTON RING SET (1st O.S)	1s						
	2X5-11601-20	. PISTON RING SET (2nd O.S)	1s						
	2X5-11601-30	. PISTON RING SET (3rd O.S)	1s						
	2X5-11601-40	. PISTON RING SET (4th O.S)	1s						
4	1W4-11633-00	. PIN, piston	1	4-11					
5	93450-19052	. CIRCLIP (604-11634-00)	2	4-12					
6	2X5-11650-10	CONNECTING ROD ASS'Y	1s						
7	2X5-11651-10	. ROD, connecting	1	4-4					
8	2X5-11681-00	. PIN, crank	1	4-5					
9	93310-42541	. BEARING, con-rod big end	1	4-6					
10	90209-25085	. WASHER (275-11685-00)	2	4-7					
11	93310-418E9	. BEARING, con-rod small end	1	4-10					
12	2X5-W0001-00	GASKET KIT	1s						
13	2X5-11181-00	. GASKET, cylinder head	1	1-2					
14	2X5-11351-00	. GASKET, cylinder	1	1-4					
15	2X7-15451-00	. GASKET, crankcase cover left	1	3-5					
16	2K7-15461-00	. GASKET, crankcase cover right	1	3-7					
17	93210-14104	. O-RING (2.4-13.8)	1	3-11					
18	90430-06016	. GASKET	1	3-13					
19	93210-29282	. O-RING (1.9-29.5)	1	4-16					
20	90430-08069	. GASKET (425-16387-00)	1	5-27					

NUMERICAL INDEX

NUMERICAL INDEX

Part No.	Ref.No.	Part No.	Ref.No.	Part No.	Ref.No.	Part No.	Ref.No.	Part No.	Ref.No.	Part No.	Ref.No.
1A0-24512-00	22-23	1W1-24181-00	14-29	1W4-26341-02	21-27	2K7-13613-00	10-24	2K8-23126-L0	19- 2	2X4-22129-00	15- 6
1A0-24524-01	22-24	1W1-24182-01	22- 7	1W4-28100-10	14-25	2K7-13621-00	10-28	2K8-23136-L0	19- 3	2X4-22147-00	15-27
1A0-24529-01	22-22	1W1-24183-00	14-30	1W4-82590-00	26- 6	2K7-15113-00	2-17	2K8-23158-L0	19-11	2X4-22153-00	15-13
1E2-25151-00	25-20	1W1-24192-00	22-12	1W4-92090-L0	19-36	2K7-15381-00	7-28	2K8-23173-L0	19-14	2X4-22179-00	15-17
1E6-23441-10-98	20-10	1W1-24611-00	22- 4	1W5-14153-00	11- 3	2K7-15383-00	6-28	2K8-23181-L0	19-10	2X4-22199-00	15-18
1G8-15362-00	3-10	1W1-24612-00	22- 5	104-81328-20	13-12	2K7-15421-00	3- 2	2K8-25381-00	25-32	2X4-22219-00	16-11
1J4-83976-00	21- 3	1W1-24738-00	23- 7	122-23119-01	19-12	2K7-15431-01	3- 6	2K8-25388-00	25-28	2X4-22221-00	16- 5
1K7-25111-10-98	24- 1	1W1-25121-01-98	24-17	122-23129-00	19-13	2K7-15441-02	2-11	2K8-26311-01	21-24	2X4-22223-00	16-14
1M1-14169-00	11-31	1W1-26249-00	21-22	127-14161-00	11-33	2K7-15462-00	3- 7	2K9-18561-00	7- 6	2X4-22224-00	16-13
1M1-14714-00	12-11	1W1-28135-00	14-26	127-14186-00	11- 9	2K7-15611-00-33	9- 1	2W6-22151-00	15- 9	2X4-22228-00	16- 4
1M1-16351-00	5- 6	1W3-14123-00	11-36	132-15644-00	9-23	2K7-15618-00	9- 2	2W6-25104-00	24- 2	2X4-22401-00	16-17
1M1-16356-00	5- 9	1W3-14158-00	11-29	132-18113-01	8- 2	2K7-15621-00	9- 3	2W6-25179-90	24- 5	2X4-22472-00	16-16
1M1-21621-00	18-12	1W3-14175-00	11-45	137-13115-00	2- 8	2K7-15641-01	9-16	2W6-25189-90	24- 6	2X4-22489-00	16-15
1M1-24748-00	23- 6	1W3-14178-00	11-40	137-14133-00	11-37	2K7-15651-00	6-36	2W6-25196-90	24- 3	2X4-22493-00	16- 3
1M2-82310-40	26- 1	1W4-11633-00	4-11	137-14143-82	11- 4	2K7-15661-01	9-18	2W6-25197-90	24- 4	2X4-23101-L0	19- 1
1M2-85509-20	13- 3	1W4-14753-20	12-20	137-14143-84	11- 4	2K7-15664-00	9-10	2W6-27411-00	17- 9	2X4-23110-L0	19-15
1T1-25194-00	24-11	1W4-15383-00	6-14	137-14143-86	11- 4	2K7-15668-00	9-24	2W6-27421-00	17-10	2X4-23141-L0	19-18
1W1-14171-00	11-38	1W4-16357-00	5-19	137-25159-00	24-21	2K7-15671-01	9-19	2X4-14411-00	10- 1	2X4-23141-10	19-18
1W1-18136-00	14-35	1W4-17461-30	6-33	146-25116-00	24-13	2K7-15676-00	9-13	2X4-14412-01	10- 2	2X4-23141-20	19-18
1W1-21511-00	18- 1	1W4-17461-40	6-33	148-25359-00	25-21	2K7-16150-00	5- 2	2X4-14412-10	10- 2	2X4-23152-L0	19-17
1W1-21511-10	18- 1	1W4-17461-50	6-33	156-26347-00	21-32	2K7-16154-00	5-17	2X4-14450-00	10- 3	2X4-23170-L0	19-16
1W1-22128-00	15-37	1W4-22141-00	15-10	164-14137-00	11-22	2K7-16181-00	5-16	2X4-14461-00	10-29	2X4-23191-L0	19-33
1W1-22216-00	16-12	1W4-23111-L1	19-22	168-15676-00	9-21	2K7-18101-00	8- 9	2X4-14468-00	10-12	2X4-23191-M0	19-33
1W1-22226-00	16-18	1W4-23114-L0	19-21	193-14142-85	11- 2	2K7-18122-01	7-24	2X4-14477-10	10-15	2X4-23340-L0-33	19-27
1W1-22497-00	16-10	1W4-23118-L0	19-20	2A0-14122-00	11-34	2K7-18141-00	7- 2	2X4-16380-00	5-20	2X4-23389-00	20-14
1W1-23185-L0	19-26	1W4-23128-L0	19- 8	2K5-24500-00	22-20	2K7-18151-00	7-26	2X4-21110-00-33	14- 1	2X4-23485-00	19-38
1W1-23317-01	19-28	1W4-23142-L0	19-19	2K6-2148A-02	14-32	2K7-18531-00	7-21	2X4-21110-10-33	14- 1	2X4-23489-00	19-39
		1W4-23144-L0	19- 6	2K6-22178-00	14-33	2K7-18535-01	7-22	2X4-21415-00	14- 2	2X4-24110-00	22- 1
1W1-23389-00	19-29	1W4-23145-L0	19- 4	2K6-22213-00	16- 7	2K7-21424-00	14-10	2X4-21428-00	14- 8	2X4-24110-10	22- 1
		1W4-23148-L0	19- 7	2K6-22214-00	16- 6	2K7-26335-00	21-25	2X4-21711-00-98	14-19	2X4-24183-00	14-31
1W1-23416-00	20- 3	1W4-23156-L0	19- 5	2K6-83912-00	21- 5	2K7-27311-00	17- 1	2X4-21711-10-98	14-19	2X4-24244-20	22- 2
1W1-23435-01	20- 5	1W4-23318-L1	19-34	2K6-83922-00	21-12	2K7-85547-00	26- 9	2X4-21721-00-98	14-20	2X4-24244-30	22- 2
1W1-24144-01	22- 8	1W4-23435-00-98	20- 5	2K7-W0003-00	27-25	2K8-21611-00	18- 7	2X4-21721-10-98	14-20	2X4-24245-20	22- 3
1W1-24173-00	22-15	1W4-23489-L0	19-35	2K7-13565-00	10-21	2K8-21611-10	18- 7	2X4-22110-01-35	15- 1	2X4-24245-30	22- 3

NUMERICAL INDEX

Part No.	Ref.No.	Part No.	Ref.No.	Part No.	Ref.No.	Part No.	Ref.No.	Part No.	Ref.No.	Part No.	Ref.No.
2X4-24770-90	23- 1	2X5-11637-00	4- 8	2X5-21427-00	14- 6	310-14197-00	11-46	509-14198-00	11-30	90101-08428	17-12
2X4-24771-00	23- 2	2X5-11638-00	4- 8	2X5-21455-00	14- 7	313-14146-00	11-16	509-14274-00	11-23	90102-08034	25-34
2X4-25321-00-98	25-16	2X5-11650-10	27- 6	2X5-21459-00	14- 9	322-25118-00	24-25	509-23163-L0	19-23	90102-10006	17- 2
2X4-25330-00	25-17	2X5-11651-10	4- 4	2X5-21620-00	18-11	322-25130-00	24-18	509-23184-L0	19-25	90105-12096	17- 8
2X4-25355-00	25-22	2X5-11681-00	4- 5	2X5-21737-00	10-16	322-25151-00	24-20	509-23190-L0	19-24	90105-14060	20- 6
2X4-25371-00	25-33	2X5-13610-00	10-23			322-25155-00	24-22	509-23194-L0	19-37	90109-06410	21- 8
2X4-26111-00	21- 1	2X5-13616-00	10-25	2X5-22210-00	16- 1	328-26372-01	21-28	509-24724-00	23- 9		21-15
2X4-27200-01	17-14	2X5-14101-00	11- 1	2X5-25304-00	25- 2	353-18547-00	7-13	509-25181-00	24-24	90109-08397	19-30
2X4-27231-00	17-19	2X5-14453-00	10-18	2X5-25391-90	25- 4	360-16325-00	5- 5	510-14112-40	11-20	90109-08480	15-31
2X4-27412-00	17- 6	2X5-14610-01	12- 1	2X5-25392-90	25- 5	363-14126-00	11-27	510-14141-54	11-19	90109-08512	12-17
2X4-27422-00	17- 7	2X5-14753-00	12-13	2X5-25394-00	25-10	363-14131-00	11-26	510-14146-00	11-11	90109-14485	7-16
2X4-2811A-00	14-27	2X5-14753-10	12-13	2X5-25396-90	25- 3	363-14137-00	11-28	510-14181-16	11-13	90116-08218	25-39
2X5-W0001-00	27-12	2X5-15111-00	2- 1	2X5-85500-20	13- 1	363-14184-00	11-12	510-14197-00	11-47	90116-08262	1- 5
2X5-11111-00	1- 1	2X5-15118-00	2-15	2X5-85515-20	13-11	363-14187-00	11- 8	516-82921-30	21-11	90116-10258	1- 9
2X5-11181-00	1- 2	2X5-15121-00	2- 2	2X7-15411-00	3- 1	363-14190-35	11- 6	558-14147-00	11-14	90116-10263	1- 8
2X5-11311-00	1- 3	2X5-16111-00	4-17	2X7-15451-00	3- 5	382-26372-01	21-26	565-14747-00	12-14	90123-08013	21-29
2X5-11351-00	1- 4	2X5-16301-00	5- 1	2X7-85512-20	13- 4	383-16321-00	5- 4	565-14771-00	12- 7	90123-08046	21-30
2X5-11400-00	4- 1	2X5-16371-00	5- 3	2X7-85540-20	26- 7	431-24181-00	14-23	565-21746-00	18-13	90149-06011	22-26
2X5-11412-00	4- 2	2X5-17121-00	6- 8	2X7-85550-20	13- 2	431-25367-00	25-44	583-25412-00	25-41	90149-08105	5-12
2X5-11422-00	4- 3	2X5-17131-00	6- 5	2X9-85580-20	13- 8	431-25448-02	25-40	583-26241-00	21- 2	90149-08108	5-26
2X5-11601-00	4- 9	2X5-17141-00	6- 2	214-11198-01	7-15	431-25450-04	25-40	583-26242-00	21-21	90159-06016	5- 8
2X5-11601-10	4- 9	2X5-17151-00	6- 7	214-14118-00	11-10	431-25452-04	25-40	619-24535-00	22-25	90163-06001	10-11
2X5-11601-20	4- 9	2X5-17211-00	6-24	214-14185-00	11- 7	431-26243-00	21-23	648-45533-00-03	15- 5	90170-08193	25-42
2X5-11601-30	4- 9	2X5-17221-00	6-17	214-15674-00	9-25	431-26281-01	21-18	737-14137-00	11-44	90170-12181	4-22
2X5-11601-40	4- 9	2X5-17231-00	6-22	214-15686-00	9-26	431-26282-01	21-19	737-14241-00	11-43	90170-16111	15-11
2X5-11630-00	27- 1	2X5-17241-00	6-23	214-17481-00	5-21	437-83936-00	21-36	802-14161-00	11-35	90170-16177	25-47
2X5-11630-10	27- 1	2X5-17251-00	6-20	214-24512-00	22-21	461-82911-00	21- 4	802-14173-00	11-42	90170-20195	5-10
2X5-11630-20	27- 1	2X5-17411-00	6- 1	239-14116-08	11-21	483-14781-00	12- 3	802-14174-00	11-41	90170-20213	16- 8
2X5-11630-30	27- 1	2X5-17421-00	6-16	239-14195-00	11- 5	483-25311-13-98	25- 1	803-82591-00	14-28	90175-06012	10-13
2X5-11630-40	27- 1	2X5-18111-00	8- 1	248-15668-00	9-12	483-25315-00	25-12	812-11175-00	1- 6	90175-06013	17-25
2X5-11631-00-96	4- 8	2X5-18511-00	7-17	256-14135-00	11-39	483-25317-01	25-11	90101-06278	25-23	90179-08148	21-31
2X5-11631-00-97	4- 8	2X5-18512-00	7-18	275-25327-00	25-26	500-14115-00	11-15	90101-06291	24-23	90179-08243	15-32
2X5-11635-00	4- 8	2X5-18513-00	7-19	288-21376-00	26- 8	509-14136-00	11-25	90101-06304	23- 8	90179-10201	1-11
2X5-11636-00	4- 8	2X5-18541-00	7- 1	294-82370-00	26- 4	509-14155-01	11-32	90101-08034	25-30	90179-18172	4-19

NUMERICAL INDEX

Part No.	Ref.No.	Part No.	Ref.No.	Part No.	Ref.No.	Part No.	Ref.No.	Part No.	Ref.No.	Part No.	Ref.No.
90179-20255	6-35	90240-06040	17-20	90462-08042	2-12	91316-06065	2- 5	92901-06100	18- 4	93102-17004	5-24
90179-25033	20- 4	90240-08012	21-33	90462-08043	2-10	91316-06070	2- 6		18- 9	93102-20009	24-15
90185-08054	14-16	90240-12060	15-34	90467-10008	22-29	91316-06075	2- 7		21- 7	93102-25030	25-43
90201-06067	10-10	90249-12069	17-24	90480-14102	10- 6	91401-20012	17-22		21-14	93102-32136	6-31
	18- 2	90280-05013	4-20	90480-14198	18- 5		21-35		22-10	93103-30092	4-14
	18-10	90282-07019	4-21	90501-10062	7-14	91401-20015	15-33		22-14	93103-40091	4-15
90201-06407	22-18	90336-13032	14-18	90501-10245	17-23		25-38		22-17	93108-35004	15- 7
90201-06571	14-22	90338-07011	2-19	90501-12081	9- 5	91401-20025	17- 4		26- 3	93109-14021	17-15
90201-08083	21- 9	90338-32086	7-12	90501-16107	9-20	91401-30022	15-36	92901-06200	17-21	93109-20014	9- 9
	21-16	90339-13005	14-17	90501-24408	5- 7	91810-16016	1-10		23- 5	93109-22018	15- 8
	21-34	90380-12051	16-19	90501-99479	16- 2	91830-22016	2- 3	92901-06600	10- 5	93210-14104	3-11
90201-08092	5-13	90380-16056	15- 4	90501-99480	16- 2		3- 9		12-10	93210-29282	4-16
90201-08113	12-16	90381-17027	25-31	90501-99481	16- 2	92501-06010	2-18		13-16	93210-31114	25-25
90201-08544	19-31	90387-07391	10- 7	90506-16036	24-19	92501-06015	10- 4		15-24	93304-20501	6-30
90201-12588	8- 5		18- 6	90506-20166	12-21	92501-06020	13-15		22-11	93306-20203	24-16
90201-12593	4-24	90387-07393	22-19	90506-20192	17-18		15-22	92901-08100	5-14	93306-20205	24-14
90201-13202	14-34	90387-08258	12-15	90507-20002	25-18	92501-06025	26- 2		12- 5	93306-20309	25-13
90201-14536	17-16	90387-08699	25-36	90507-20030	12- 2	92501-08010	2-16		12-18	93306-20310	25-14
90201-15234	9- 6	90387-15535	24-26	90507-29008	17- 5	92506-06008	3-12		14- 4	93306-20535	6-13
90201-17327	5-23	90387-17650	25-45	90508-10386	7-25	92701-06012	6-15		14-37	93306-30615	4-13
90201-17545	6-37	90387-17651	25-27	90508-14373	5-22		6-29		15-15	93306-90401	7- 9
90201-20278	6-11	90387-17700	25-15	90508-20023	17-11		7-29		15-20	93310-418E9	4-10
	6-25	90387-25663	6-32	90508-32061	9-11	92901-03100	10-27		19- 9	93310-42541	4- 6
90201-20613	6- 9	90430-06016	3-13	90508-32374	8- 7	92901-04100	13-10	92901-08200	14-15	93311-62035	6-12
	7-10	90430-08069	5-27	90560-12171	8- 8		13-14		14-38		6-27
90201-20685	9-15	90445-08376	2- 9	90560-12179	8- 4	92901-05100	11-17	92901-08600	12- 6	93315-21721	5-25
90201-25287	6- 3	90445-09117	22- 6	90560-15116	24-12		13- 7		14- 5	93315-23208	7- 8
	6-18	90445-11182	22-28	90564-14021	25-19		15-29		15-16	93317-22214	15- 3
90202-06010	22-27	90446-09158	19-40	91304-11056	25-35	92901-05200	15-30		15-21	93332-00001	20- 1
90209-22082	6- 6	90460-43053	12-12	91316-06020	10-22	92901-06100	2-13	92901-12100	4-23	93332-00008	20- 2
	6-21	90460-51109	10-20	91316-06025	3- 4		10- 8	92901-12600	15-35	93342-22205	15- 2
90209-25085	4- 7	90460-68120	10-19		3- 8		12- 9	92901-16100	25-46	93410-15005	9-22
90215-20125	5-11	90460-85138	10-17	91316-06030	3- 3		15-12	92901-18100	4-18	93410-17008	6-38
90215-21121	6-34	90462-05005	26- 5	91316-06045	2- 4		15-23	93101-12004	8- 6	93410-19015	7-11

NUMERICAL INDEX

Part No.	Ref.No.	Part No.	Ref.No.	Part No.	Ref.No.	Part No.	Ref.No.	Part No.	Ref.No.	Part No.	Ref.No.
93410-20009	9-14	95311-08600	19-32	97301-08035	15-14						
93410-20038	6-10	95311-08700	5-15	97310-06016	9-27						
	6-26	95601-06100	15-26	97311-08030	9- 8						
	9-17		21-10	97321-06025	8- 3						
93430-07012	7-27		21-17	97321-06035	22-16						
93430-08006	7-23		23- 4	97602-03108	11-24						
93430-10015	17-17	95601-08100	17-13	97701-40512	10-14						
93430-10016	9- 7		25-37	98501-03008	10-26						
93440-25019	6- 4	95701-08100	20- 9	98501-04005	16-20						
	6-19	95801-08016	14-11	98501-04006	13-13						
93440-32017	7- 4	95811-08090	14-12	98501-04018	13- 9						
93450-19052	4-12	95811-08100	14-13	98501-05016	11-18						
93507-32009	9- 4	95811-08180	14-14	98501-05018	13- 5						
93515-32029	5-18	95821-08035	20-11	98501-05025	13- 6						
93604-08071	7- 3	95821-08040	20- 7	98503-05015	21-20						
93604-18100	7- 5	95821-08055	20- 8	98701-05012	7- 7						
93604-26132	16- 9	97301-05010	15-28	98901-06012	14-21						
93606-14140	7-20	97301-06012	22- 9								
93608-30128	8-10		22-13								
94130-21520	24- 8	97301-06014	2-14								
94151-18512	25- 6		18- 8								
94230-21126	24- 9	97301-06016	12- 8								
94245-18125	25- 7	97301-06020	17-26								
94330-21088	24-10	97301-06022	21- 6								
94345-18081	25- 9		21-13								
94416-21104	24- 7	97301-06025	18- 3								
94425-18218	25- 8	97301-06026	10- 9								
94580-11108	25-48	97301-06035	23- 3								
94680-11001	25-49	97301-06050	15-25								
95301-06600	25-24	97301-08016	15-19								
95301-06700	17-27	97301-08020	12- 4								
95301-08600	1- 7		14-36								
95301-08700	25-29	97301-08025	14- 3								
95302-10900	17- 3	97301-08030	12-19								

