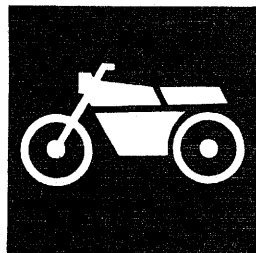


Handwritten text at the top right of the page.



YAMAHA

PARTS CATALOGUE

YZ80K (22W)

1322W-300E1





FOR EUROPE



FOR CANADA • OTHERS

FOREWORD

This Parts Catalogue is related to the parts in use for the Yamaha YZ 80K (22W).
When you are ordering replacement parts for the YZ 80K (22W), refer to this Parts Catalogue and quote both part numbers and part names correctly.

1. Modifications or additions which have been made after issue of the Parts Catalogue will be announced in the Yamaha Parts News.

It is advisable that according to the Yamaha Parts News you make necessary corrections to the Parts Catalogue on hand to keep it up-to-date.

2. Abbreviations

The following abbreviations are used in this Parts Catalogue.

- U.R. Use size (thickness) and/or number as required.
- U.N. Use as many as you need.
- A.P. Alternate Parts
- L.M. Local Made
- F# Frame No. (Applicable machine No.)

3. The parts marked with (*) in the parts number column of this Catalogue are not supplied with by Yamaha, those have to be found locally.

4. Parts, which are to be supplied in the form of assemblies, are listed with an indentation of one letter's space, and a dot (.) is put against the name of each part.

EXAMPLE CARBURETOR ASS'Y
 . JET, pilot
 . NOZZLE, main

5. Indication of No. of constituent parts for assembly

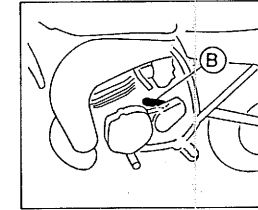
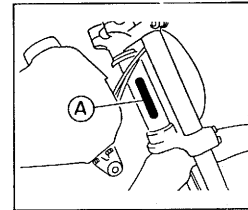
The numeral appearing to the right of each constituent part under the description indicates the quantity of such parts for each individual assembly unit.

EXAMPLE

Part No.	Description	Q'ty	Remarks
2F5-83310-60	FRONT FLASHER LIGHT ASS'Y	2	
115-83311-60	. BULB (6V-18W)	1	
1M1-83309-60	. REFLECTOR	1	

6. Initial Serial No. and Color Code

(A) Frame Serial No.	22W-000101 and following
(B) Engine Serial No.	22W-000101 and following



Color Code	Color Name	Abbreviate
36	Clean White	W

7. Applicable colors of graphics are represented in the "Remarks" column by the letter(s) appropriately picked out of the full word(s) showing such colors.

EXAMPLE

Part No.	Description	Q'ty	Remarks
2N4-24110-00-X5	FUEL TANK COMP.	1	MAXIM RED
3J1-24240-10	. GRAPHIC, fuel tank set	1	for MXR

CONTENTS

ENGINE

Fig. 1	Cylinder Head - Cylinder	1
Fig. 2	Crankshaft - Piston	2
Fig. 3	C.D.I. Magneto	3
Fig. 4	Water Pump	4
Fig. 5	Radiator Hose	5
Fig. 6	Intake	6
Fig. 7	Carburetor	8
Fig. 8	Exhaust	9
Fig. 9	Crankcase	10
Fig. 10	Crankcase Cover	11
Fig. 11	Kick Starter	12
Fig. 12	Clutch	13
Fig. 13	Transmission	14
Fig. 14	Shift Cam - Fork	15
Fig. 15	Shift Shaft - Pedal	16

CHASSIS

Fig. 16	Frame - Tool	17
Fig. 17	Front Fender - Rear Fender	18
Fig. 18	Side Cover	19
Fig. 19	Rear Arm	20
Fig. 20	Rear Suspension	22
Fig. 21	Steering	24
Fig. 22	Front Fork	25
Fig. 23	Fuel Tank	27
Fig. 24	Seat	29
Fig. 25	Front Wheel	30
Fig. 26	Rear Wheel	31
Fig. 27	Handlebar - Cable	33
Fig. 28	Stand - Footrest	34
Fig. 29	Electrical 1	36
Fig. 30	Handle Switch - Lever	37

ALTERNATE PARTS

Fig. 31	Alternate (Chassis)	38
---------	---------------------	----

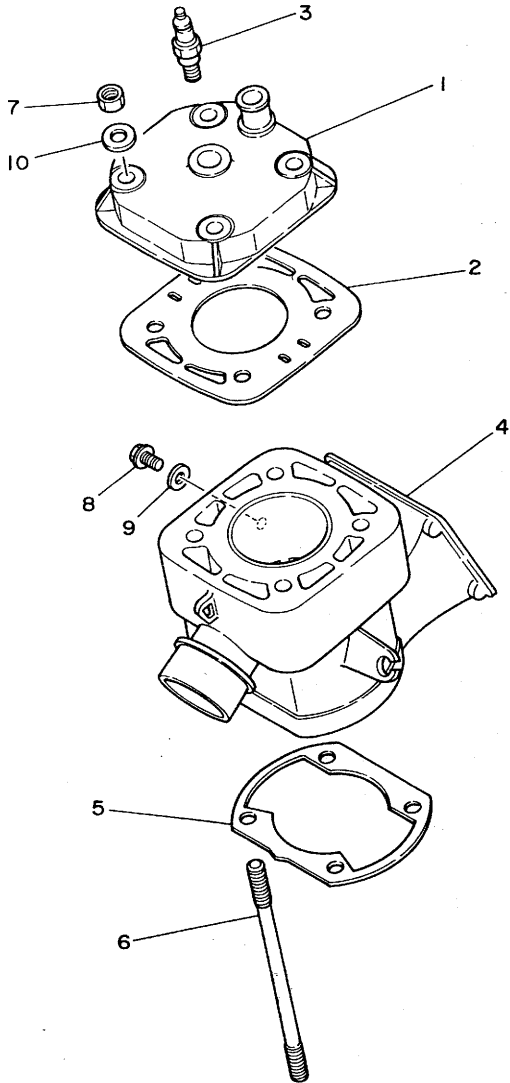
REPAIR KIT

Fig. 32	Repair Kit	39
---------	------------	----

INDEX

Numerical Index
Parts Name Index

FIG. 1 CYLINDER HEAD. CYLINDER



REF. NO.	PART NO.	DESCRIPTION	Q'TY	REMARKS
1	22W-11111-00	HEAD, cylinder 1	1	
2	22W-11181-00	GASKET, cylinder head 1	1	
3	*	PLUG, sPark (CHAMPION QN-84)	1	UR LM FOR CANADA
	*	PLUG, sPark (CHAMPION N-84)	1	UR LM ,S.AFRICA
4	22W-11311-00	CYLINDER 1	1	
5	4V0-11351-00	GASKET, cylinder	1	
6	90116-08402	BOLT, stud	4	
7	95311-08600	NUT	4	
8	95826-06010	BOLT, flange	1	
9	90430-06166	GASKET	1	
10	90201-08649	WASHER, Plate	4	

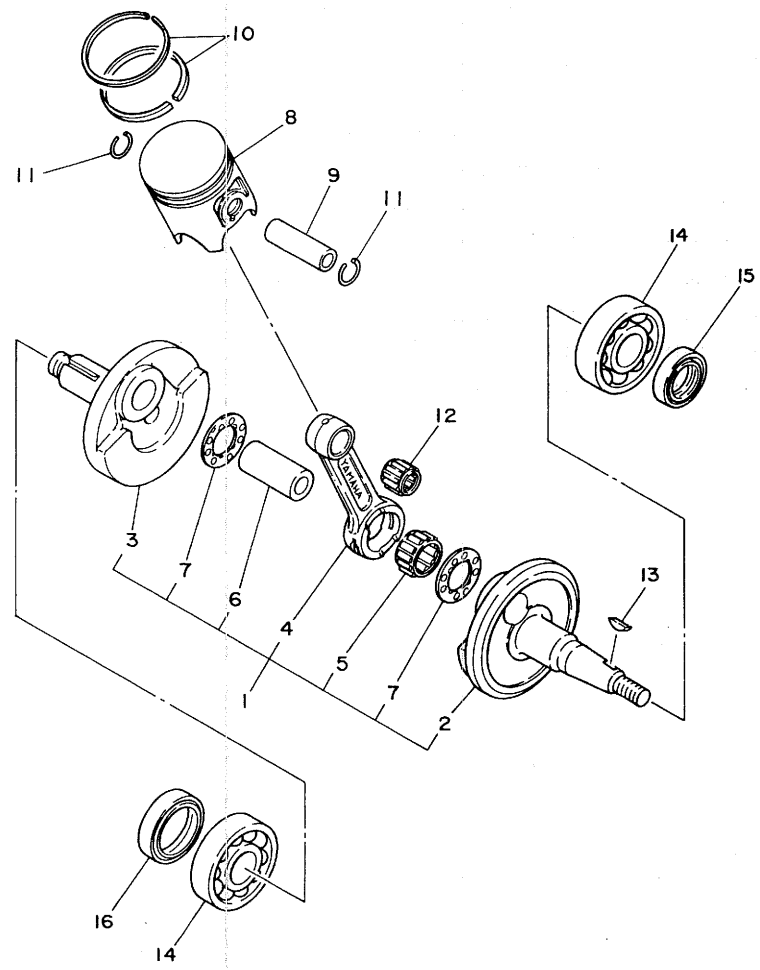


22W100-3010

B2



FIG. 2 CRANKSHAFT-PISTON



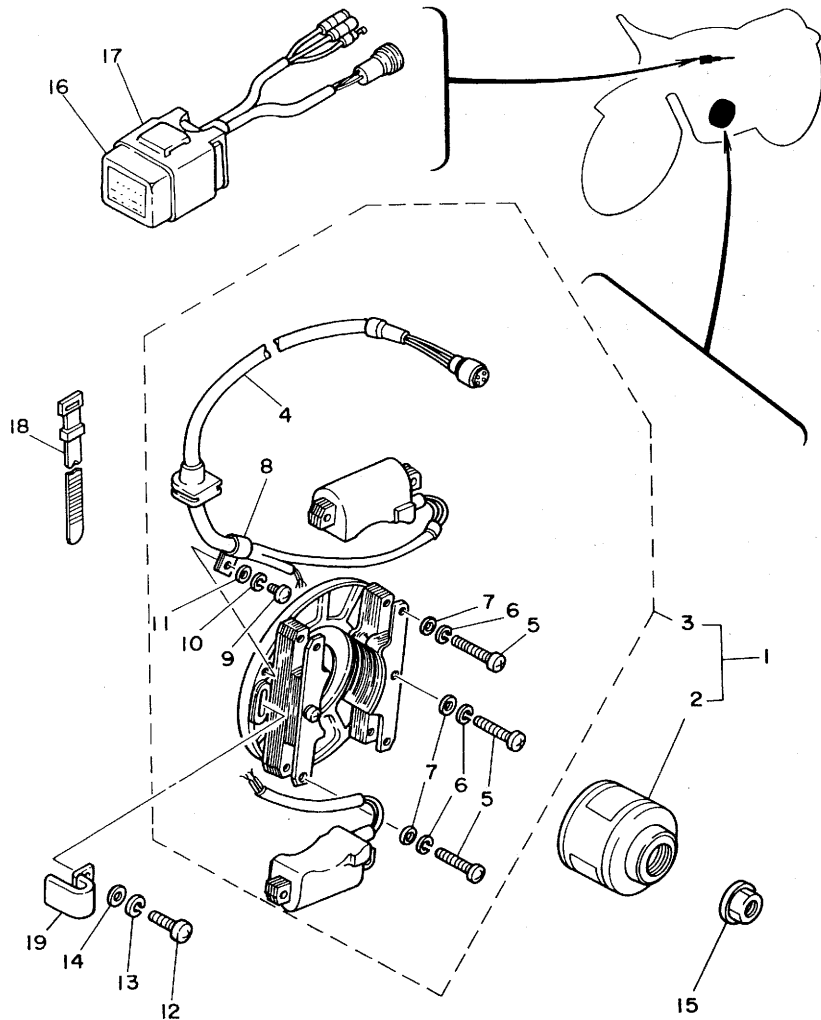
REF. NO.	PART NO.	DESCRIPTION	Q'TY	REMARKS
1	22W-11400-00	CRANKSHAFT ASSY	1	
2	5X2-11412-01	•CRANK 1	1	
3	5X2-11422-01	•CRANK 2	1	
4	5X2-11651-00	•ROD, connecting	1	
5	93310-418K9	•BEARING, cylindrical	1	
6	4V0-11681-00	•PIN, crank 1	1	
7	90209-18112	•WASHER	2	
8	22W-11631-00-94	PISTON (STD)	1	UR
	22W-11631-00-95	PISTON (STD)	1	UR
	22W-11635-00	PISTON (1ST O/S 0.25MM)	1	AP
	22W-11636-00	PISTON (2ND O/S 0.50MM)	1	AP
	22W-11637-00	PISTON (3RD O/S 0.75MM)	1	AP
	22W-11638-00	PISTON (4TH O/S 1.00MM)	1	AP
9	4V1-11633-00	PIN, Piston	1	
10	22W-11601-00	PISTON RING SET (STD)	1	
	22W-11601-10	PISTON RING SET (1ST O/S)	1	AP
	22W-11601-20	PISTON RING SET (2ND O/S)	1	AP
	22W-11601-30	PISTON RING SET (3RD O/S)	1	AP
	22W-11601-40	PISTON RING SET (4TH O/S)	1	AP
11	5X2-11634-00	CLIP, Piston Pin	2	
12	93310-212K8	BEARING, cylindrical	1	
13	90280-03017	KEY, woodruff	1	
14	93306-20438	BEARING	2	
15	93102-20231	OIL SEAL	1	
16	93103-28126	OIL SEAL	1	



22W100-3020

B3

FIG. 3 C.D.I MAGNETO



REF. NO.	PART NO.	DESCRIPTION	Q'TY	REMARKS
1	5X2-85500-10	C.D.I. MAGNETO ASSY	1	
2	5X2-85550-10	•ROTOR ASSY	1	
3	5X2-85510-10	•STATOR ASSY	1	
4	5X2-85520-10	••COIL, charge	1	
5	98501-05030	••SCREW, Pan head	6	
6	92901-05100	••WASHER, sPring	6	
7	92901-05600	••WASHER, Plate	6	
8	109-81328-11	••CLAMP	1	
9	98501-04008	••SCREW, Pan head	1	
10	92901-04100	••WASHER, sPring	1	
11	92901-04600	••WASHER, Plate	1	
12	92501-06020	SCREW, Pan head	2	
13	92901-06100	WASHER, sPring	2	
14	92901-06600	WASHER, Plate	2	
15	90179-10257	NUT	1	
16	5X2-85540-10	C.D.I. UNIT ASSY	1	
17	2A7-85546-00	BAND	1	
18	437-83936-10	BAND, switch cord	1	
19	90462-05005	CLAMP	1	

FWD
22W100-3030

B4

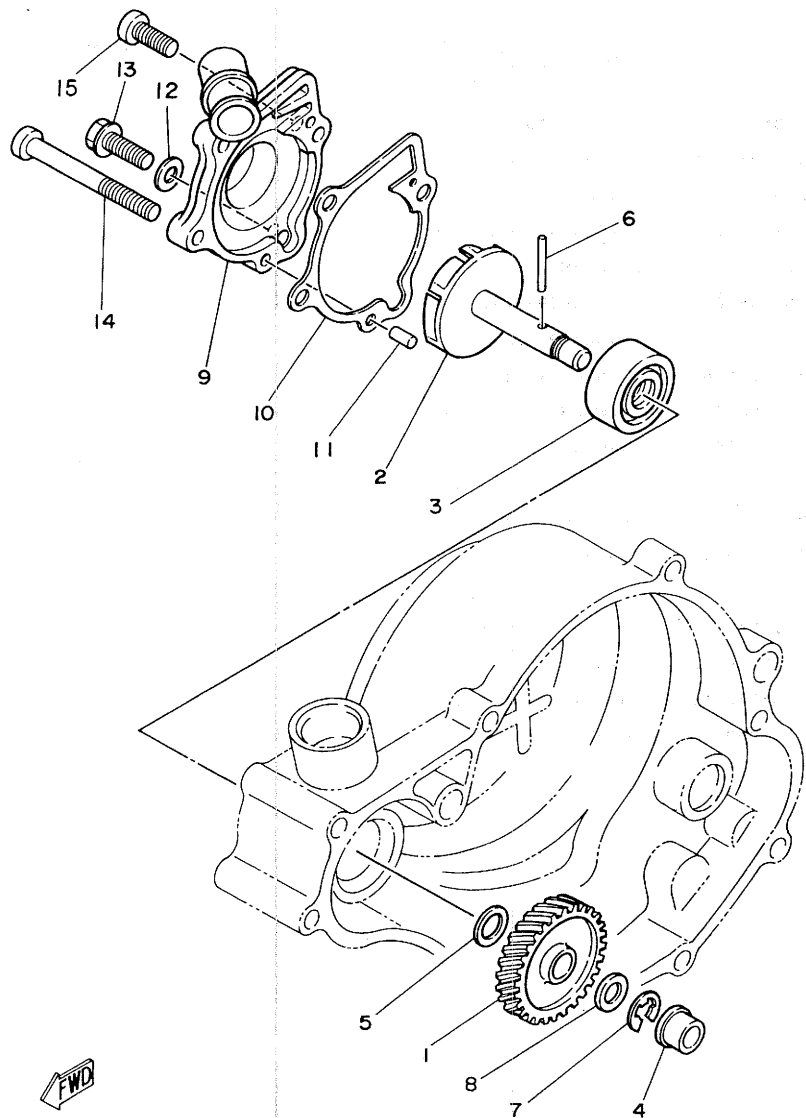


FIG. 4 WATER PUMP

REF. NO.	PART NO.	DESCRIPTION	Q'TY	REMARKS
1	5X2-12459-01	GEAR, imPeller shaft	1	
2	22W-12450-00	IMPELLER SHAFT ASSY	1	
3	93103-10113	OIL SEAL	1	
4	90381-08002	BUSH, solid	1	
5	90201-10614	WASHER, Plate	1	
6	93603-22028	PIN, dowel	1	
7	93430-07012	CIRCLIP	1	
8	90201-08085	WASHER, Plate	1	
9	5X2-12422-00	COVER, housing	1	
10	5X2-12428-00	GASKET, housing cover 2	1	
11	93604-10011	PIN, dowel	2	
12	90430-06166	GASKET	1	
13	95826-06020	BOLT, flange	1	
14	92506-06060	SCREW, Pan head	2	
15	92506-06016	SCREW, Pan head	1	

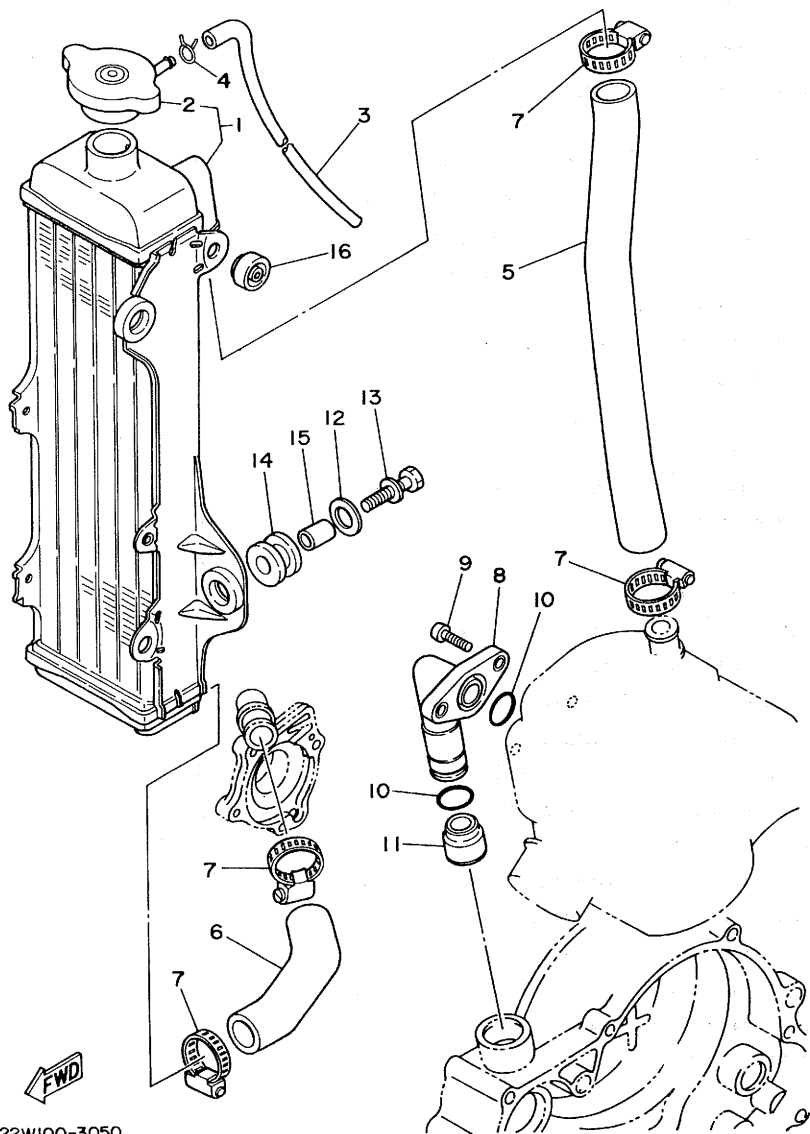


22W100-3040

B5

FIG. 5 RADIATOR HOSE

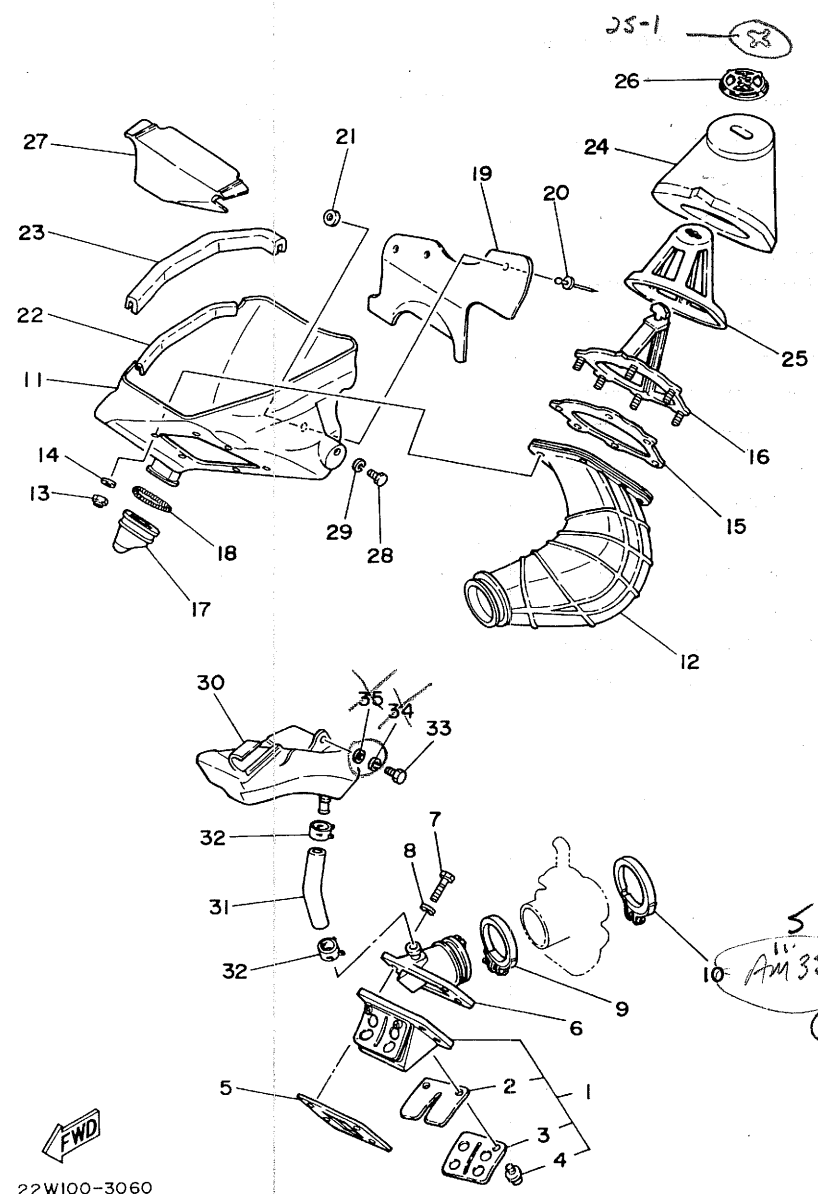
REF. NO.	PART NO.	DESCRIPTION	Q'TY	REMARKS
1	22W-12460-00	RADIATOR ASSY	1	
2	22W-12462-00	•CAP, radiator	1	
3	22W-12463-00	PIPE, breather	1	
4	90467-08004	CLIP	1	
5	22W-12481-00	PIPE 1	1	
6	22W-12482-00	PIPE 2	1	
7	90460-27219	CLAMP, hose	4	
8	22W-12446-01	JOINT	1	
9	92506-06016	SCREW, Pan head	2	
10	93210-16275	O-RING	2	
11	4V2-12494-00	SEAL, Pipe 1	1	
12	90201-06570	WASHER, Plate	2	
13	90119-06080	BOLT, with washer	2	
14	90480-15064	GROMMET	2	
15	90387-07392	COLLAR	2	
16	22W-24181-00	DAMPER, locating	2	



22W100-3050

B6

FIG. 6 INTAKE



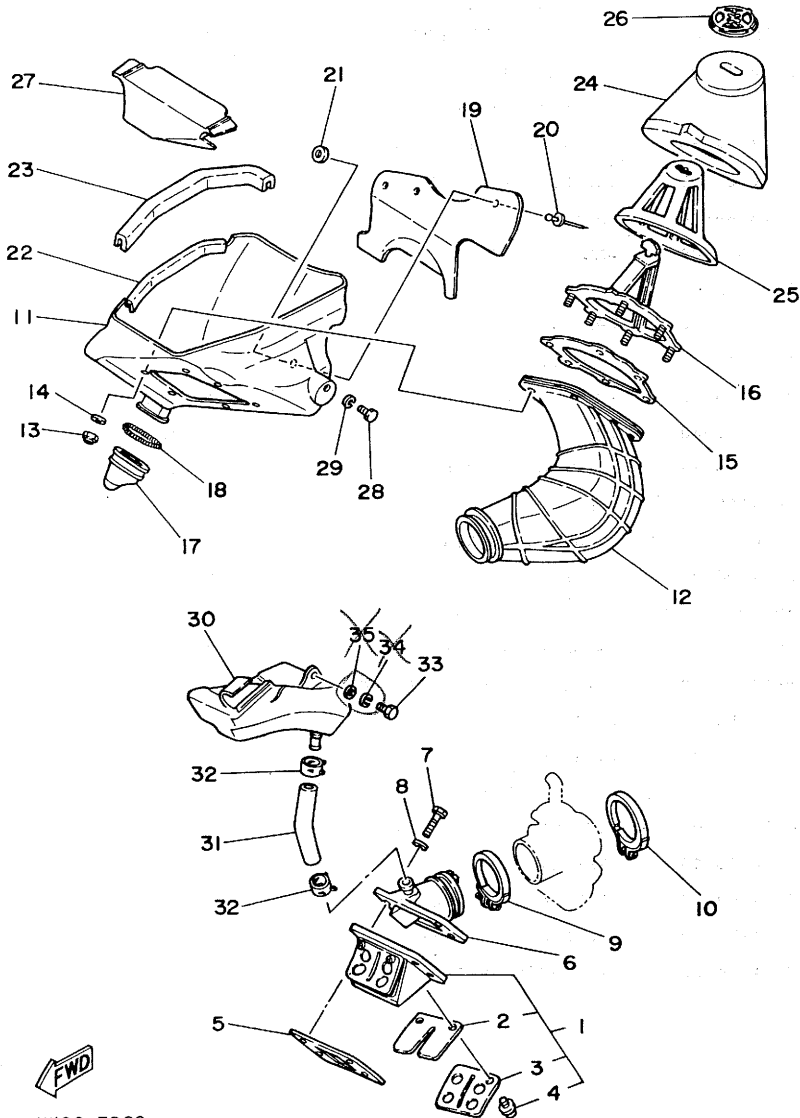
REF. NO.	PART NO.	DESCRIPTION	Q'TY	REMARKS
1	22W-13610-00	REED VALVE ASSY	1	
2	1L8-13613-00	.REED, valve	2	
3	10V-13616-00	.STOPPER, reed valve	2	
4	97602-03108	.SCREW, Pan head with washer	4	
5	10V-13621-00	GASKET, valve seat	1	
6	22W-13565-00	JOINT, carburetor	1	
7	97301-06025	BOLT	4	
8	92901-06600	WASHER, Plate	4	
9	90460-43053	CLAMP, hose	1	
10	90460-51059	CLAMP, hose	1	
11	22W-14411-00	CASE, air cleaner 1	1	
12	22W-14453-00	JOINT, air cleaner 1	1	
13	95601-05100	NUT, u	6	
14	92901-05 ² 00	WASHER, Plate	6	
15	22W-14462-00	SEAL	1	
16	22W-14459-01	HOLDER, Guide	1	
17	22W-14457-00	SEAL	1	
18	90504-03033	SPRING, compression	1	
19	22W-21642-00	GUARD, flap	1	
20	90267-40075	RIVET, blind	3	
21	92901-04200	WASHER, Plain	3	
22	22W-14425-00	DAMPER 1	1	
23	22W-14426-00	DAMPER 2	1	
24	22W-W1442-00	ELEMENT, air cleaner	1	
25	22W-14458-01	GUIDE	1	
25-1	22W 14472-00	PLATE, ELEMENT	1	- ADDED
26	3J0-14468-00	PLATE, element fitting	1	
27	22W-14412-00	CAP, cleaner case 1	1	
28	97301-06012	BOLT	1	



22W100-3060

B7

FIG. 6 INTAKE



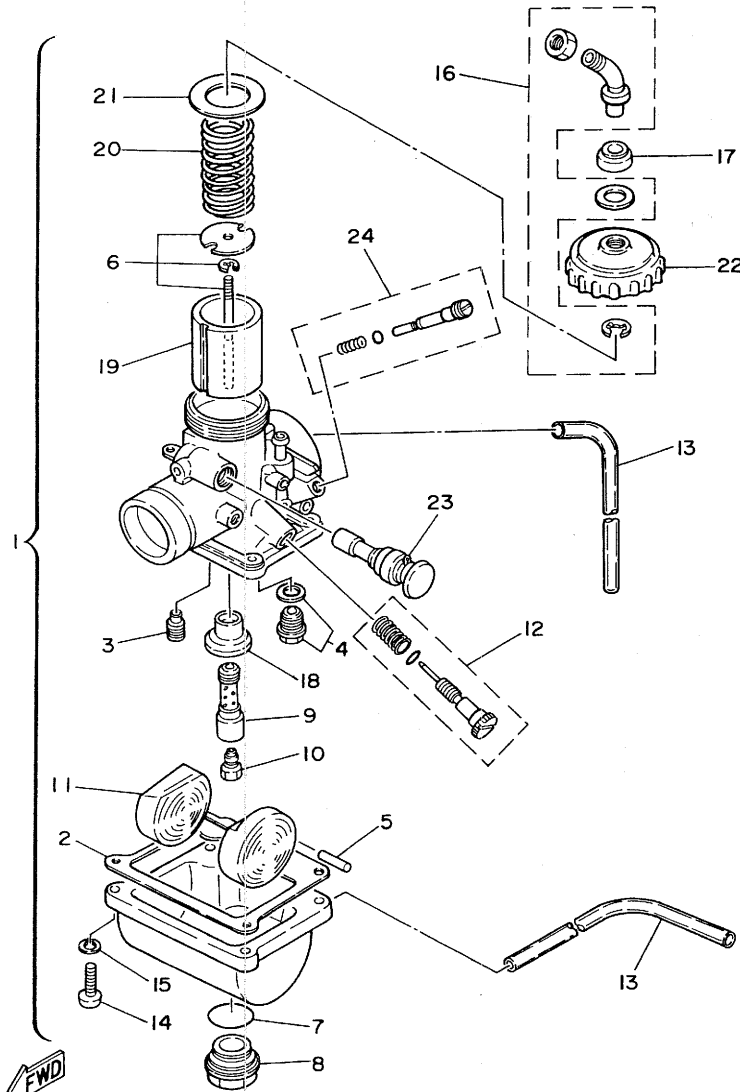
REF. NO.	PART NO.	DESCRIPTION	Q'TY	REMARKS
29	92901-06100	WASHER, sPring	1	
30	22W-13581-00	CHAMBER, air	1	
31	90445-16673	HOSE	1	
32	90467-16063	CLIP	2	
33	97304-06012 90119-06043	BOLT	1	
34	92901-06100	WASHER, sPring	1	} Not used with 6-33-1
35	92901-06600	WASHER, Plate	1	



22W100-3060

B8

FIG. 7 CARBURETOR



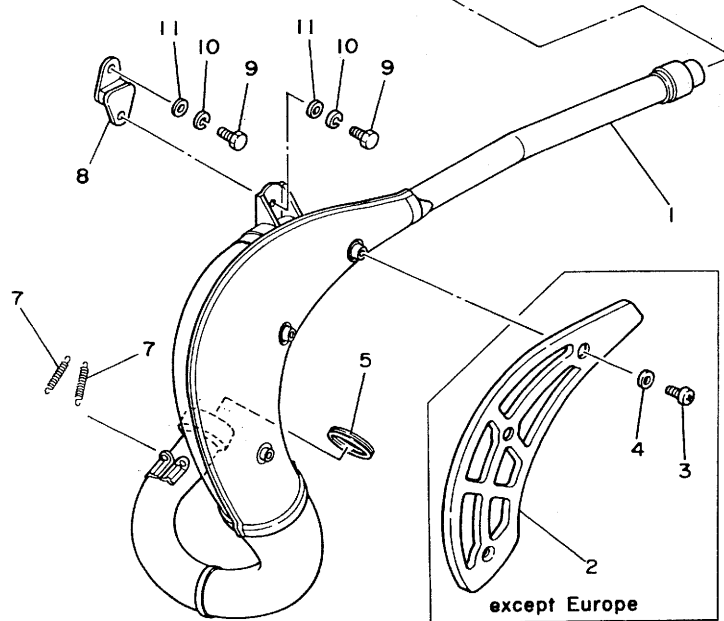
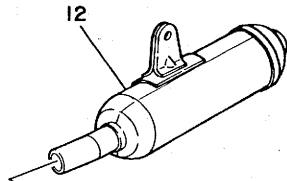
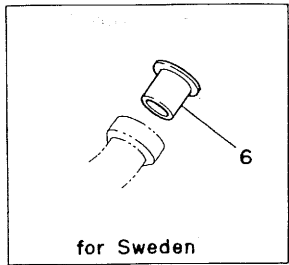
REF. NO.	PART NO.	DESCRIPTION	Q'TY	REMARKS
①	22W-14101-00 <i>22W-14101-00</i>	CARBURETOR ASSY 1	1	~ 004853
2	304-14184-00	•GASKET, float chamber	1	004854 ~
③	260-14142-45 <i>260-14142-40</i>	•JET, Pilot (#45.0)	1	→ ~ 004853
4	23L-14107-25	•NEEDLE VALVE SET	1	→ 004854 ~
5	127-14186-00	•PIN, float	1	
6	22W-1490J-00	•NEEDLE SET	1	
7	93210-18288	•O-RING	1	
8	3R1-14115-00	•PLUG, screw	1	
9	3R1-14141-36	•NOZZLE, main	1	
10	137-14143-50	•JET, main (#250)	1	STD
	137-14143-48	•JET, main (#240)	1	AP
	137-14143-52	•JET, main (#260)	1	AP
11	314-14185-00	•FLOAT	1	
12	10W-14103-00	•THROTTLE SCREW SET	1	
13	183-14196-00	•PIPE	2	
14	98501-04016	•SCREW, Pan head	4	
15	92902-04100	•WASHER, sPring	4	
16	22W-14106-00	•CABLE ADJUST SCREW SET	1	
17	3X3-14169-00	•CAP	1	
18	3R1-14153-00	•WASHER, main Jet	1	
19	2X6-14112-20	•VALVE, throttle 1	1	
20	248-14131-00	•SPRING, throttle valve	1	
21	2A6-14126-00	•GASKET	1	
22	2A6-14158-00	•TOP, mixing chamber	1	
23	4U5-14171-00	•PLUNGER, starter	1	
24	10W-14104-00	•AIR SCREW SET	1	

22W100-3070

B9

FIG. 8 EXHAUST

REF. NO.	PART NO.	DESCRIPTION	Q'TY	REMARKS
1	22W-14610-10 ✗	EXHAUST PIPE ASSY 1	1	UR FOR EUROPE
	22W-14610-00 ✓	EXHAUST PIPE ASSY 1	1	UR EXCEPT EUROPE
2	22W-14718-00	PROTECTOR, muffler 1	1	} EXCEPT EUROPE
3	98903-06008	SCREW, bind	3	
4	90202-06010	WASHER, Plate	3	
5	22W-14613-00	GASKET, exhaust Pipe	1	
6	22W-14634-00	PIPE, choke	1	FOR SWEDEN
7	90507-20030	SPRING, tension	2	
8	565-14771-00	STAY, muffler 1	1	
9	97301-06016	BOLT	2	
10	92901-06100	WASHER, sPring	2	
11	92901-06600	WASHER, Plate	2	
12	22W-14753-10	SILENCER, exhaust	1	UR FOR NSW (AUSTRALIA)
	22W-14753-00	SILENCER, exhaust	1	UR

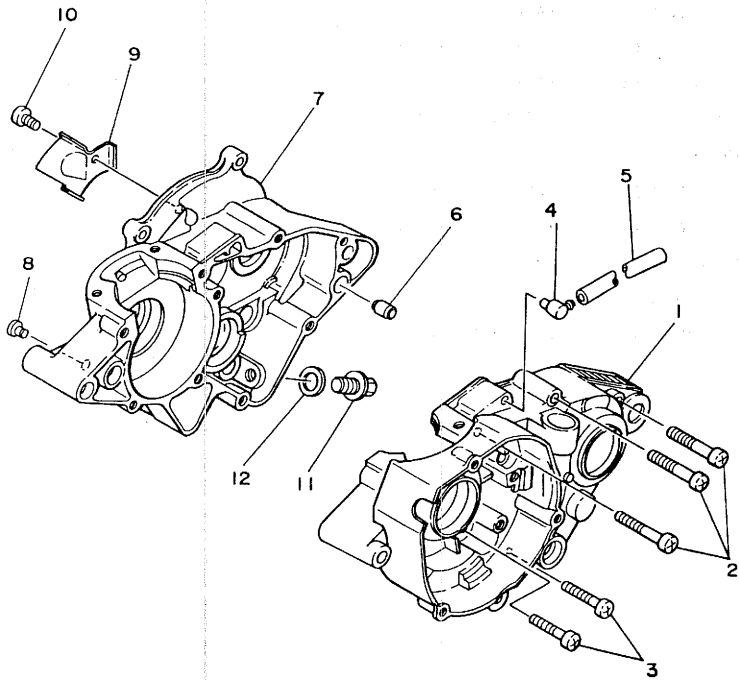


22W300-3080

B10

FIG. 9 CRANKCASE

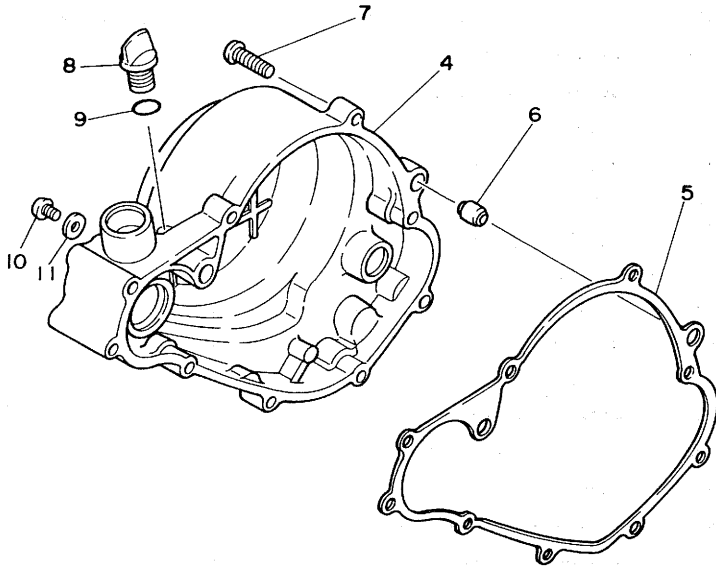
REF. NO.	PART NO.	DESCRIPTION	Q'TY	REMARKS
1	4V0-15111-02	CRANKCASE 1	1	
2	92501-06045	SCREW, Pan head	6	
3	92501-06035	SCREW, Pan head	3	
4	353-13115-01	CONNECTOR, suction Pipe	1	
5	90445-08376	HOSE	1	
6	91830-22016	PIN, dowel	2	
7	22W-15121-00	CRANKCASE 2	1	
8	90338-07011	PLUG	1	
9	5X2-15113-00	PLATE	1	
10	92501-06012	SCREW, Pan head	1	
11	90340-12059	PLUG, straight screw	1	
12	90430-12038	GASKET	1	



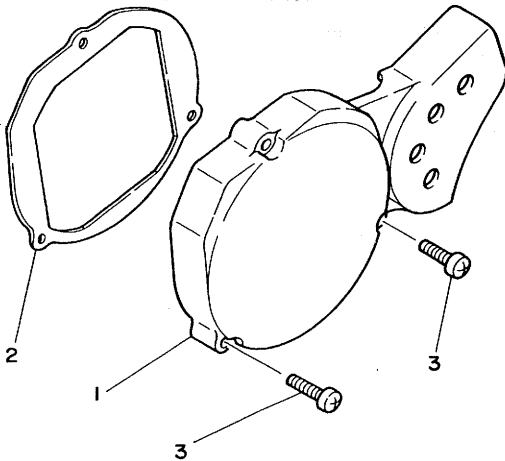
22W100-3090

B11

FIG. 10 CRANKCASE COVER



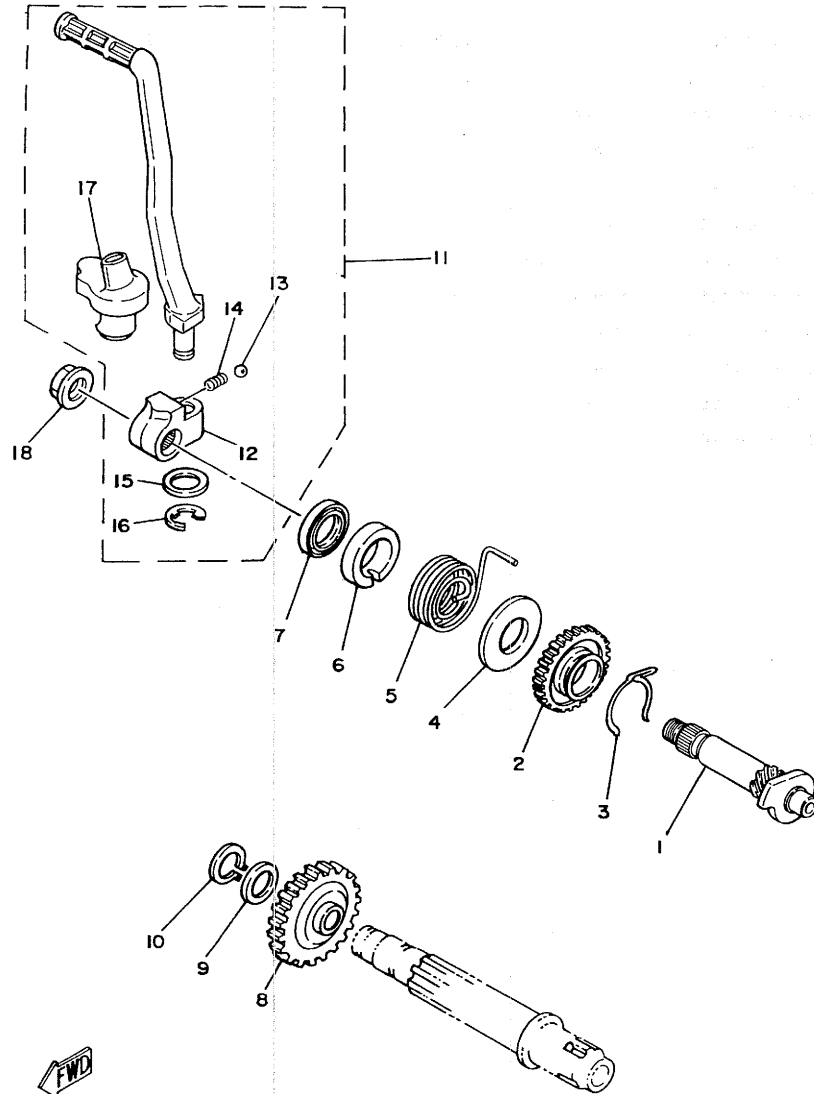
REF. NO.	PART NO.	DESCRIPTION	Q'TY	REMARKS
1	4V0-15411-00	COVER, crankcase 1	1	
2	22W-15451-00	GASKET, crankcase cover	1	
3	92506-06030	SCREW, Pan head	3	
4	22W-15421-00	COVER, crankcase 2	1	
5	5X2-15462-00	GASKET, crankcase cover 3	1	
6	91830-21014	PIN, dowel	2	
7	92506-06025	SCREW, Pan head	7	
8	4J2-15363-00	PLUG, oil	1	
9	93210-14104	O-RING	1	
10	92506-06008	SCREW, Pan head	1	
11	90430-06016	GASKET	1	



22W100-3100

B12

FIG. 11 KICK STARTER



REF. NO.	PART NO.	DESCRIPTION	Q'TY	REMARKS
1	22W-15660-00	KICK AXLE ASSY	1	
2	4V0-15641-00	GEAR, kick (24T)	1	
3	90468-26046	CLIP	1	
4	90201-154A1	WASHER, Plate	1	
5	90508-26464	SPRING, torsion	1	
6	4V0-15664-00	GUIDE, sPring	1	
7	93109-15001	OIL SEAL	1	
8	4V0-15651-00	GEAR, sPcket idle (25T)	1	
9	102-18137-00-10	WASHER 1	1	
10	93410-12003	CIRCLIP	1	
11	22W-15620-00	KICK CRANK ASSY	1	
12	4V0-15621-00	•BOSS, kick crank	1	
13	93507-32009	•BALL	1	
14	90501-12081	•SPRING, comPrission	1	
15	90201-12631	•WASHER, Plate	1	
16	93430-08007	•CIRCLIP	1	
17	4V0-15618-00	•COVER, kick lever	1	
18	90179-10272	NUT	1	

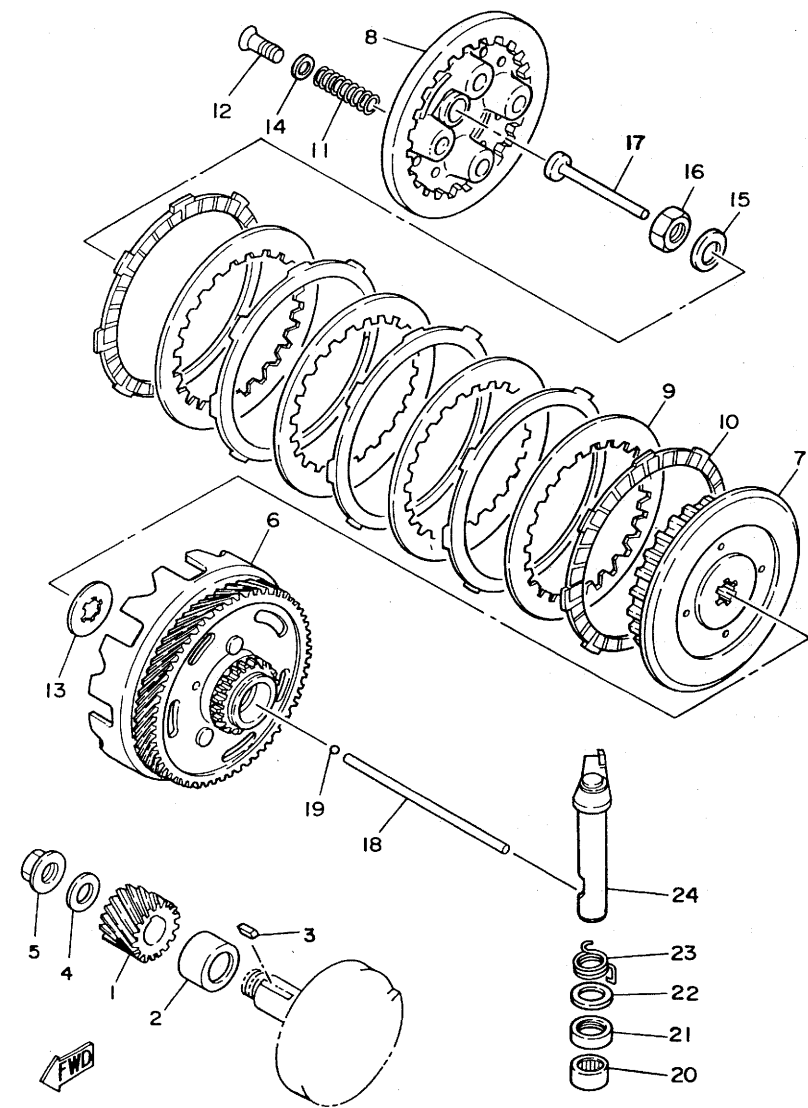


22W100-3110

B13

FIG. 12 CLUTCH

REF. NO.	PART NO.	DESCRIPTION	Q'TY	REMARKS
1	5X2-16111-00	GEAR, Primary drive	1	
2	90387-20163	COLLAR	1	
3	90282-05001	KEY, straight	1	
4	90208-12015	WASHER, conical sPring	1	
5	90179-12335	NUT	1	
6	4V1-16150-01	PRIMARY DRIVEN GEAR COMP.	1	
7	1V1-16371-02	BOSS, clutch	1	
8	4Y2-16351-01	PLATE, Pressure 1	1	
9	598-16324-00	PLATE, clutch 1	4	
10	4V0-16321-00	PLATE, friction	5	
11	90501-20644	SPRING, comPring	4	
12	98701-05020	SCREW, flat head	4	
13	4V0-16154-00	PLATE, thrust 1	1	
14	90201-05775	WASHER, Plate	4	
15	90208-12015	WASHER, conical sPring	1	
16	90179-12335	NUT	1	
17	137-16356-00	RDD, Push 1	1	
18	2X3-16357-00	RDD, Push 2	1	
19	93503-16010	BALL	1	
20	93315-21429	BEARING, cylindrical	1	
21	93109-14021	OIL SEAL	1	
22	90201-14411	WASHER, Plate	1	
23	90508-18463	SPRING, torsion	1	
24	22W-16380-00	PUSH LEVER ASSY	1	

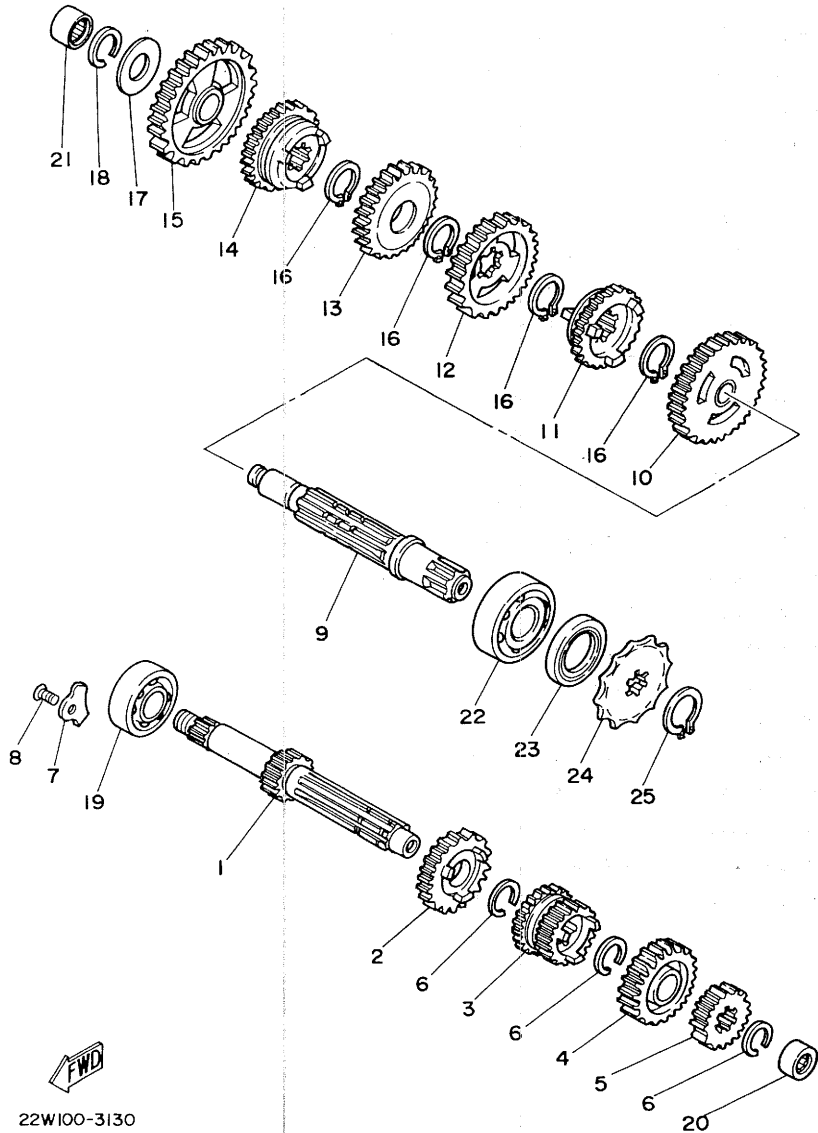


22W100-3120

B14

FIG. 13 TRANSMISSION

REF. NO.	PART NO.	DESCRIPTION	Q'TY	REMARKS
1	4V0-17411-01	AXLE, main	1	
2	4V0-17151-02	GEAR, 5th Pinion (20T)	1	
3	4V0-17131-00	GEAR, 3rd/4th Pinion (19T,21T)	1	
4	4V0-17161-02	GEAR, 6th Pinion	1	
5	4V0-17121-00	GEAR, 2nd Pinion (16T)	1	
6	93440-16089	CIRCLIP	3	
7	3R4-15383-01	PLATE, bearing cover	2	
8	92701-06012	SCREW, flat head	2	
9	22W-17421-00	AXLE, drive	1	
10	4V0-17221-00	GEAR, 2nd wheel (33T)	1	
11	4V0-17261-02	GEAR, 6th wheel	1	
12	4V0-17231-00	GEAR, 3rd wheel (31T)	1	
13	4V0-17241-00	GEAR, 4th wheel (28T)	1	
14	4V0-17251-02	GEAR, 5th wheel	1	
15	4V0-17211-00	GEAR, 1st wheel (36T)	1	
16	93410-20038	CIRCLIP	4	
17	164-17427-00-06	SHIM 1 (0.6T)	1	
18	93440-15012	CIRCLIP	1	
19	93306-20303	BEARING (B6203Z)	1	
20	93311-31249	BEARING, cylindrical	1	
21	93315-31502	BEARING, cylindrical	1	
22	93306-20401	BEARING (B6204)	1	
23	93102-20143	OIL SEAL	1	
24	174-17461-20	SPROCKET, drive (12T)	1	STD
	174-17461-30	SPROCKET, drive (13T)	1	AP
	174-17461-40	SPROCKET, drive (14T)	1	AP
25	93410-18062	CIRCLIP	1	

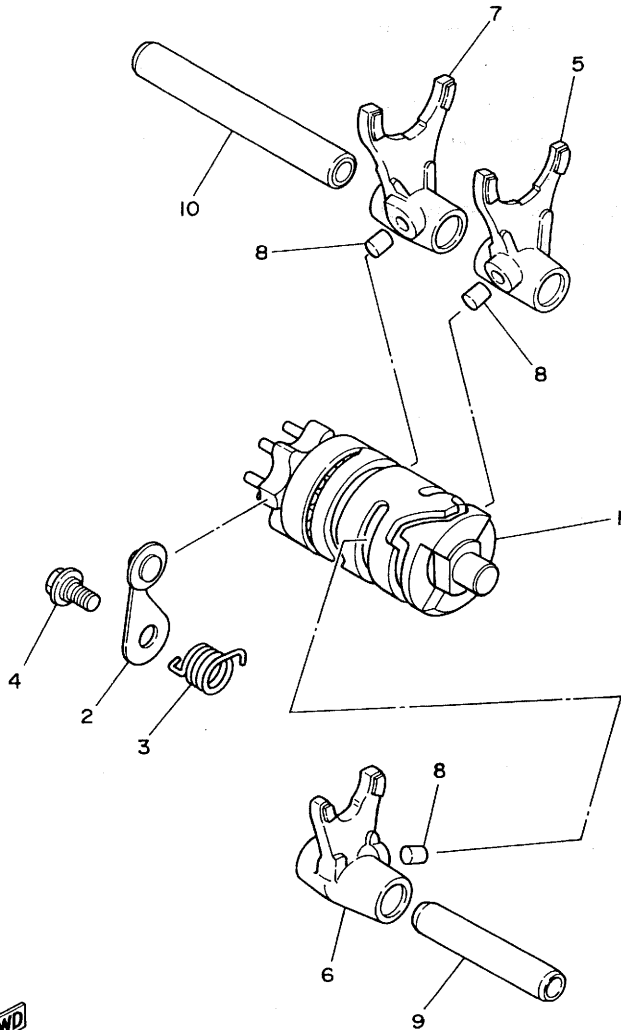


FWD

22W100-3130

B15

FIG. 14 SHIFT CAM•FORK



REF. NO.	PART NO.	DESCRIPTION	Q'TY	REMARKS
1	22W-18540-00	SHIFT CAM ASSY	1	
2	22W-18140-00	STOPPER LEVER ASSY	1	
3	90508-26462	SPRING, torsion	1	
4	1W1-18177-00	BOLT, stopPer	1	
5	4V0-18511-00	FORK, shift 1	1	
6	4V0-18512-00	FORK, shift 2	1	
7	4V0-18513-00	FORK, shift 3	1	
8	90250-06013	PIN, straight	3	
9	3R4-18531-00	BAR, shift fork guide 1	1	
10	3R4-18535-00	BAR, shift fork guide 2	1	

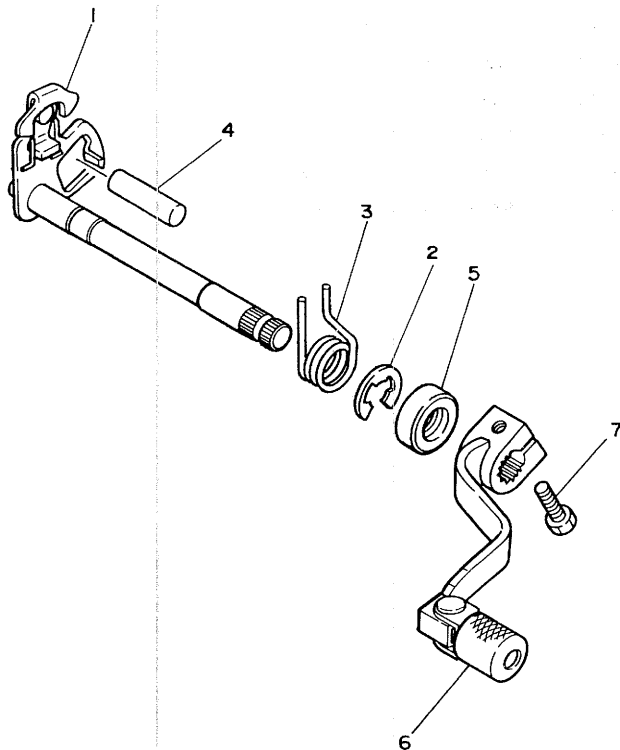


22W100-3140

C2

FIG. 15 SHIFT SHAFT•PEDAL

REF. NO.	PART NO.	DESCRIPTION	Q'TY	REMARKS
1	22W-18101-00	SHIFT SHAFT ASSY	1	
2	93430-10016	CIRCLIP	1	
3	90508-32465	SPRING, torsion	1	
4	93608-30128	PIN, dowel	1	
5	93109-12012	OIL SEAL	1	
6	22W-18110-00	SHIFT PEDAL ASSY	1	
7	97321-06020	BOLT	1	

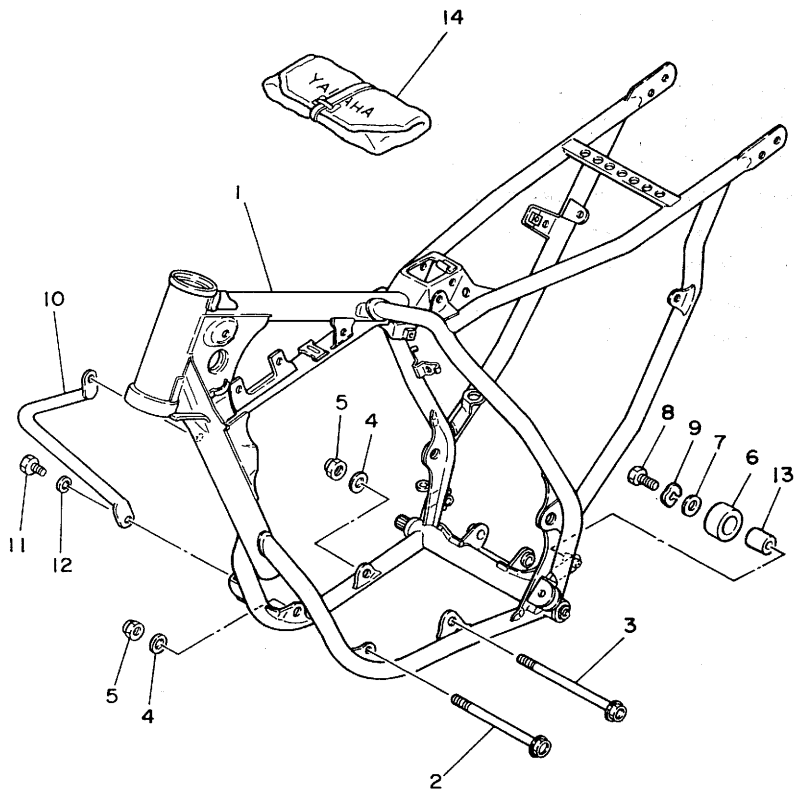


22W100-3150

C3

FIG. 16 FRAME

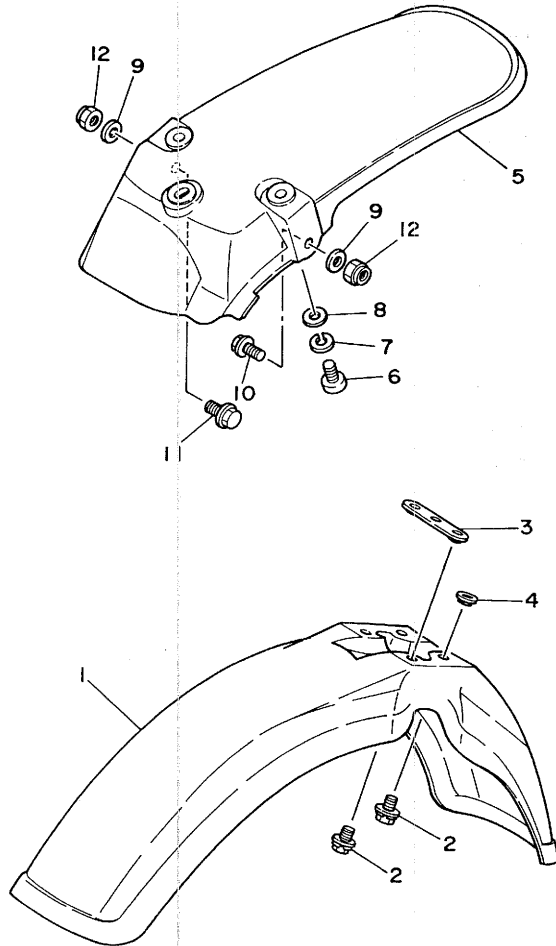
REF. NO.	PART NO.	DESCRIPTION	Q'TY	REMARKS
1	22W-21110-00-33	FRAME COMP	1	yamaha black
2	95811-08120	BOLT, flange	1	
3	95811-08135	BOLT, flange	1	
4	92901-08200	WASHER, Plain	2	
5	90185-08089	NUT, self-locking	2	
6	22W-22178-01	TENSIONER	1	
7	90201-067A0	WASHER, Plate	1	
8	97301-06016	BOLT	1	
9	92902-06700	WASHER	1	
10	22W-2174F-00	GUARD, radiator	1	
11	97301-08016	BOLT	2	
12	92901-08100	WASHER, sPring	2	
13	4V4-22184-00	BUSH	1	
14	5X2-28100-00	TOOL KIT	1	



22W100-3160

C4

FIG. 17 FRONT FENDER•REAR FENDER



REF. NO.	PART NO.	DESCRIPTION	Q'TY	REMARKS
1	5X2-21511-10	FENDER, front	1	clean white
2	90119-06063	BOLT, with washer	4	
3	22W-21523-00	PLATE 1	1	
4	90209-06187	WASHER	2	
5	22W-21611-10	FENDER, rear	1	clean white
6	92502-06016	SCREW, Pan head	3	
7	92902-06100	WASHER, spring	3	
8	90201-06557	WASHER, plate	3	
9	90201-08730	WASHER, plate	2	
10	95801-08025	BOLT, flange	1	
11	95801-08020	BOLT, flange	1	
12	90185-08113	NUT, self-locking	2	



22W100-3170

C5

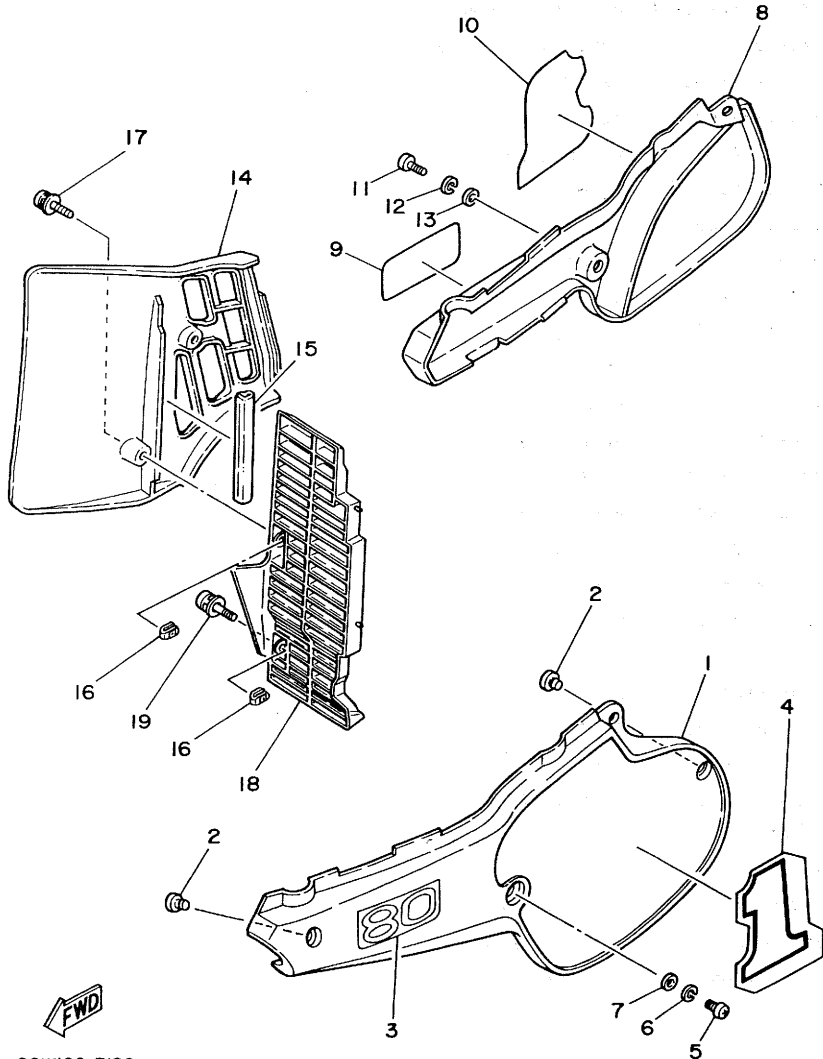


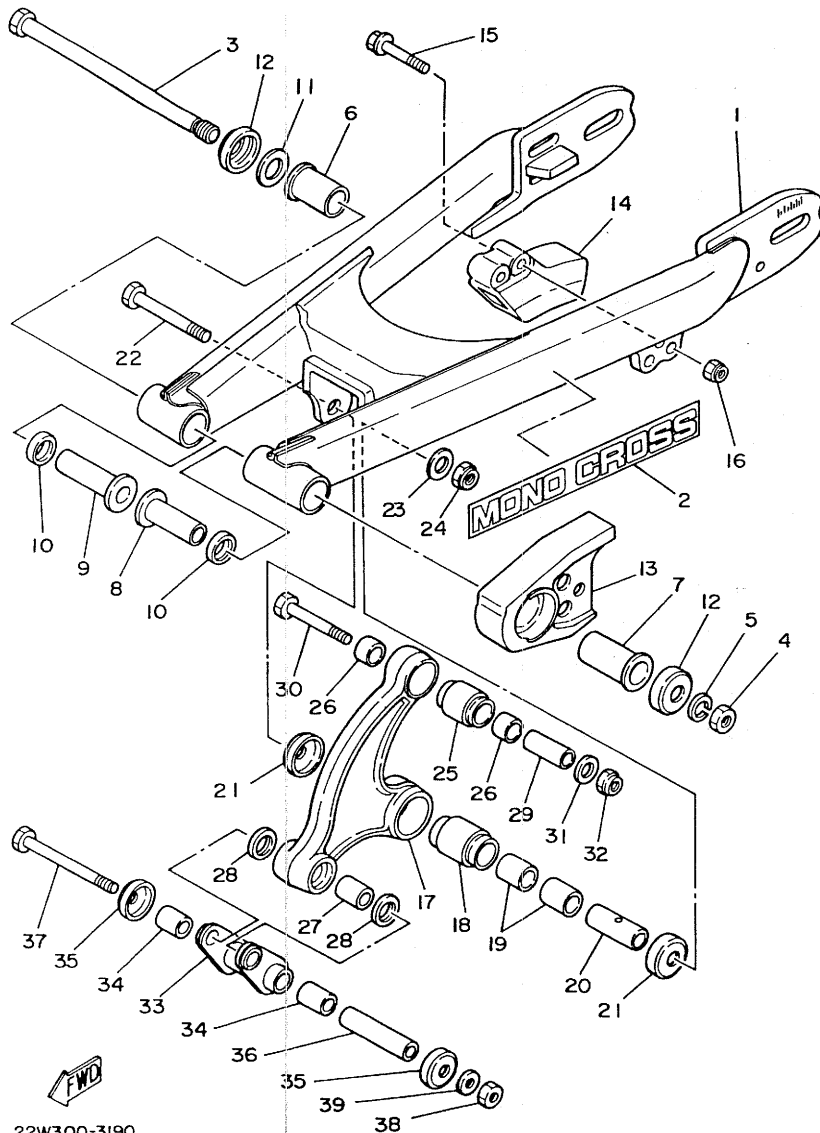
FIG. 18 SIDE COVER

REF. NO.	PART NO.	DESCRIPTION	Q'TY	REMARKS
1	22W-21711-10	COVER, side 1	1	clean white
2	22W-24181-00	DAMPER, locating 1	2	
3	5X2-21781-10	EMBLEM 1	1	
4	3R1-21782-00	EMBLEM 2	1	
5	92501-06015	SCREW, Pan head	2	
6	92901-06100	WASHER, spring	2	
7	90201-06571	WASHER, Plate	2	
8	22W-21721-10	COVER, side 2	1	clean white
9	5X2-21781-10	EMBLEM 1	1	
10	3R1-21782-00	EMBLEM 2	1	
11	92501-06015	SCREW, Pan head	2	
12	92901-06100	WASHER, spring	2	
13	90201-06571	WASHER, Plate	2	
14	22W-21741-01	COVER, side 4	1	
15	22W-21746-00	DAMPER	1	
16	22W-21791-00	NUT	3	
17	90159-05073	SCREW, with washer	2	
18	22W-23472-00	PROTECTOR	1	
19	90159-05072	SCREW, with washer	1	

22W100-3180

C6

FIG. 19 REAR ARM

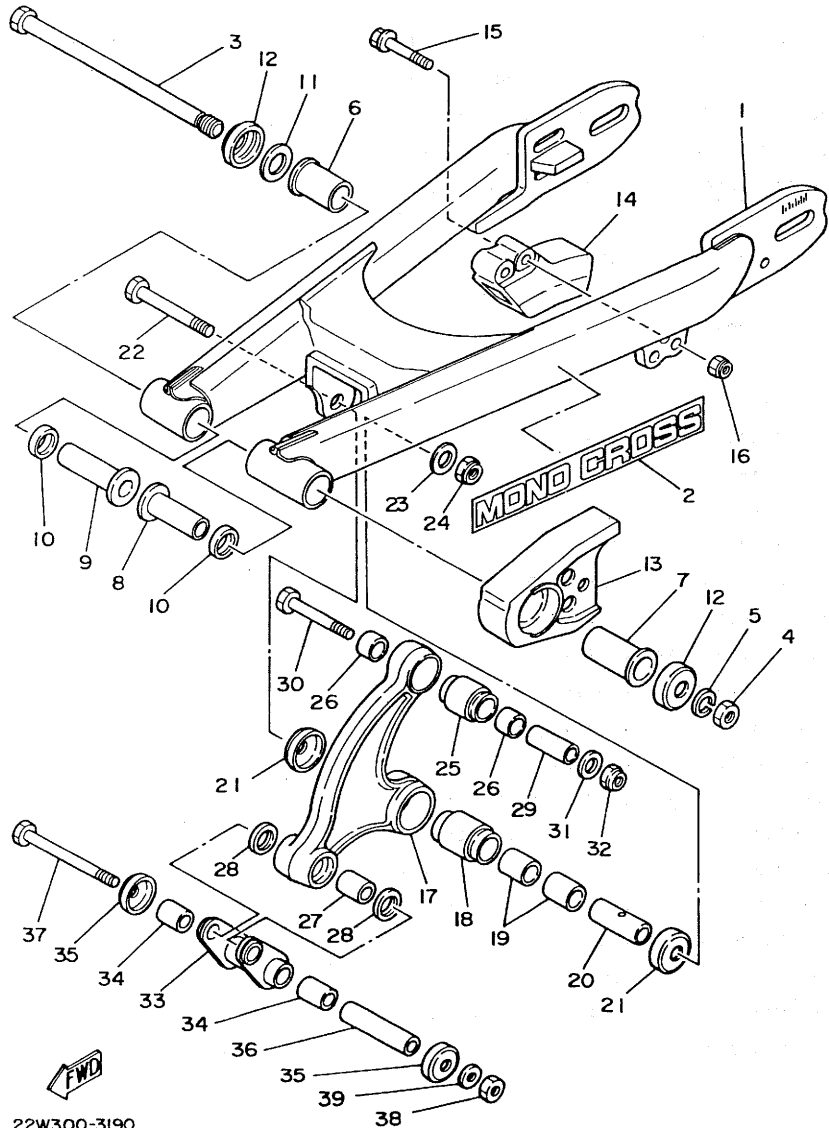


REF. NO.	PART NO.	DESCRIPTION	Q'TY	REMARKS
1	22W-22110-00-35	REAR ARM COMP.	1	silver
2	5X3-2218A-00	EMBLEM, rear arm	2	
3	4V1-22141-00	SHAFT, Pivot	1	
4	95311-12700	NUT	1	
5	92901-12100	WASHER, sPring	1	
6	90386-18099	BUSH	1	
7	90386-18109	BUSH	1	
8	90387-121F6	COLLAR	1	
9	90387-121F7	COLLAR	1	
10	93109-18020	OIL SEAL	2	
11	401-22127-00	SHIM	1	
12	401-22128-01	SEAL, Guard	2	
13	22W-22151-00	SEAL, Guard	1	
14	22W-22199-00	SUPPORT, chain	1	
15	95821-08040	BOLT, flange	2	
16	95601-08100	NUT, u	2	
17	22W-2217A-00	ARM, relay	1	
18	22W-22123-00	BUSH 1	1	
19	90384-18157	BUSH, bimetal formed	2	
20	90380-12094	BUSH, solid	1	
21	5X6-22129-00	COVER, thrust 2	2	
22	90109-10690	BOLT	1	
23	90201-100E9	WASHER, Plate	1	
24	90185-10110	NUT, self-locking	1	
25	22W-22124-00	BUSH 2	1	
26	90380-16109	BUSH, solid	2	
27	90383-16023	BUSH, formed	1	
28	93109-16035	OIL SEAL	2	

22W300-3190

C7

FIG. 19 REAR ARM

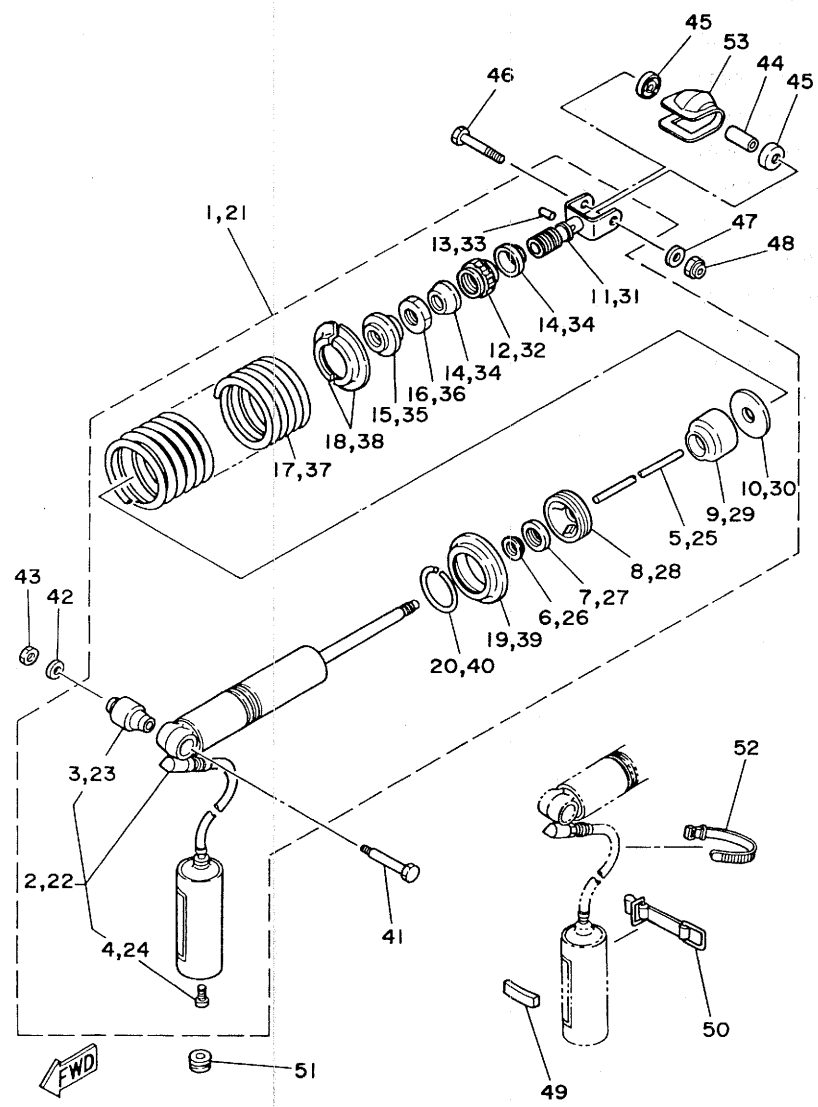


REF. NO.	PART NO.	DESCRIPTION	Q'TY	REMARKS
29	90387-10660	COLLAR	1	
30	90109-10689	BOLT	1	
31	92901-10600	WASHER, Plate	1	
32	90185-10110	NUT, self-locking	1	
33	22W-2217F-00	ROD, connecting 1	1	
34	90383-16023	BUSH, formed	2	
35	22W-22129-00	COVER, thrust 2	2	
36	90387-10569	COLLAR	1	
37	90109-10688	BOLT	1	
38	90185-10110	NUT, self-locking	1	
39	92901-10600	WASHER, Plate	1	

22W300-3190

C8

FIG. 20 REAR SUSPENSION

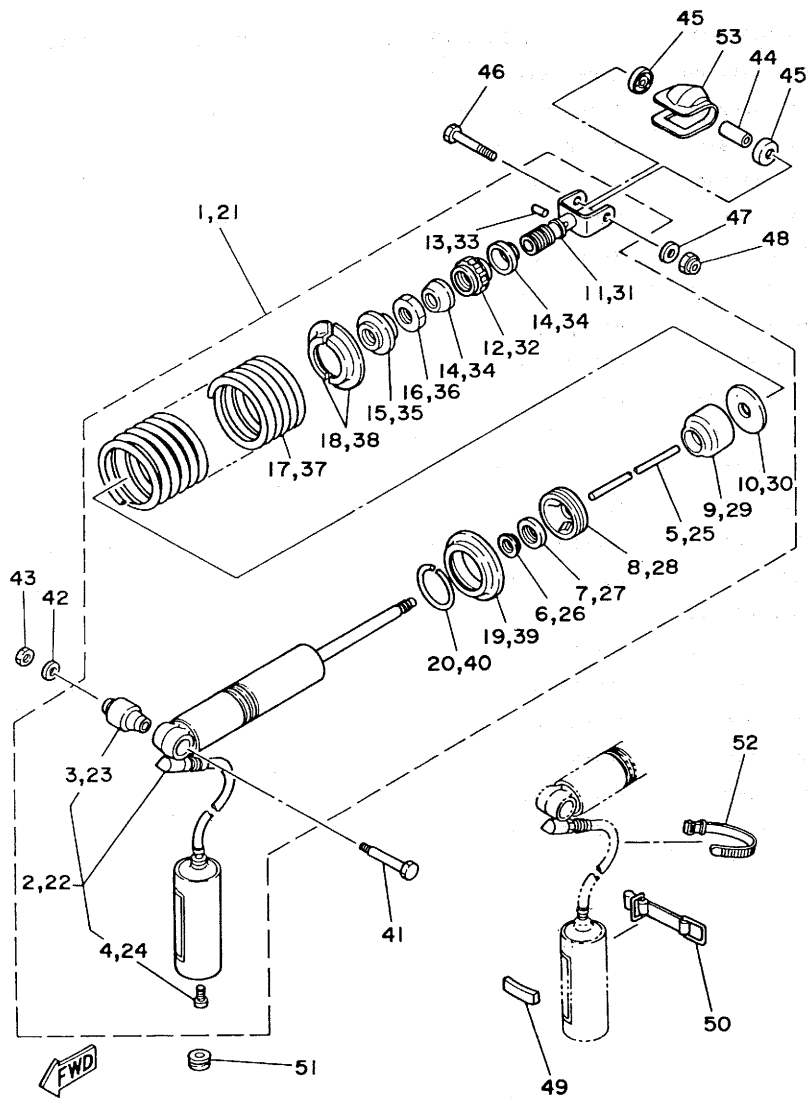


22W300-3200

C9

REF. NO.	PART NO.	DESCRIPTION	Q'TY	REMARKS
1	22W-22210-10-6W	SHOCK ABSORBER ASSY, rear	1	UR native red FOR EUROPE
2	22W-22401-10	•DAMPER SUB ASSY	1	
3	2X6-22216-00	••BUSH, rear shock absorber	1	
4	98501-04005	••SCREW, Pan head	1	
5	22W-22489-00	•ROD, Push	1	
6	3R1-22475-00	•SEAL, dust	1	
7	2X6-22473-00	•SEAL, housing	1	
8	5X2-22472-00	•CAP, case	1	
9	5X2-22493-00	•BUMP, stop	1	
10	5X2-22228-00	•SUPPORT, bump stop	1	
11	22W-22409-00	•UPPER BRACKET SUB ASSY	1	
12	3R4-22497-00	•NUT, adjusting	1	
13	93604-26132	•PIN, dowel	1	
14	3R4-22221-01	•COVER	2	
15	3R4-22213-00	•SEAT, sPring uPPer	1	
16	90170-20213	•NUT	1	
17	22W-22212-00-6W	•SPRING	1	native red
18	22W-22214-00	•GUIDE, sPring l	2	
19	22W-22223-00	•SEAT, sPring lower	1	
20	93440-42101	•CIRCLIP	1	
21	22W-22210-00-6W	SHOCK ABSORBER ASSY, rear	1	UR native red EXCEPT EUROPE
22	22W-22401-00	•DAMPER SUB ASSY	1	
23	2X6-22216-00	••BUSH, rear shock absorber	1	
24	98501-04005	••SCREW, Pan head	1	
25	22W-22489-00	•ROD, Push	1	
26	3R1-22475-00	•SEAL, dust	1	
27	2X6-22473-00	•SEAL, housing	1	
28	5X2-22472-00	•CAP, case	1	

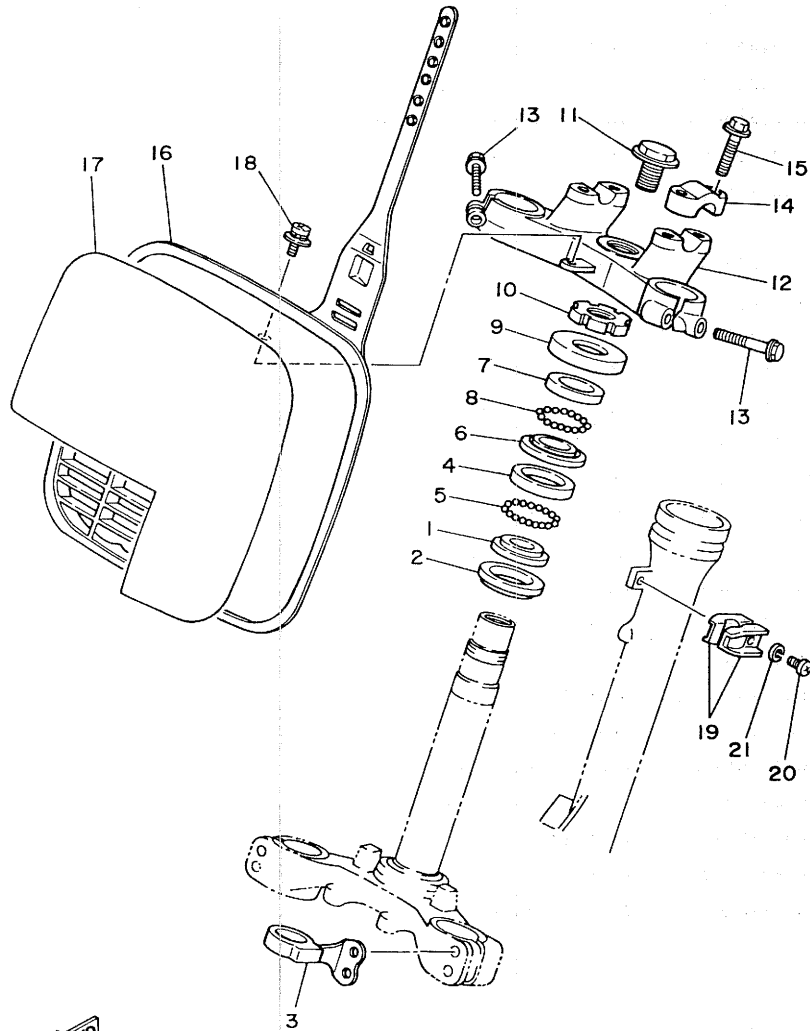
FIG. 20 REAR SUSPENSION



22W300-3200

REF. NO.	PART NO.	DESCRIPTION	Q'TY	REMARKS
29	5X2-22493-00	•BUMP, stoP	1	
30	5X2-22228-00	•SUPPORT, bump stoP	1	
31	22W-22409-00	•UPPER BRACKET SUB ASSY	1	
32	3R4-22497-00	•NUT, adjustinG	1	
33	93604-26132	•PIN, dowel	1	
34	3R4-22221-01	•COVER	2	
35	3R4-22213-00	•SEAT, sPrinG uPper	1	native red
36	90170-20213	•NUT	1	
37	22W-22212-00-6W	•SPRING	1	
38	22W-22214-00	•GUIDE, sPrinG 1	2	
39	22W-22223-00	•SEAT, sPrinG lower	1	
40	93440-42101	•CIRCLIP	1	
41	90109-10729	BOLT	1	
42	92901-10600	WASHER, Plate	1	
43	90185-10110	NUT, self-lockinG	1	
44	90387-10660	COLLAR	1	
45	22W-22129-00	COVER, thrust 2	2	
46	90109-10689	BOLT	1	
47	92901-10600	WASHER, Plate	1	
48	90185-10110	NUT, self-lockinG	1	
49	22W-22261-02	DAMPER, sub tank	1	
50	22W-22262-00	HOLDER, sub tank	1	
51	90480-17359	GROMMET	1	
52	7F6-82591-00	BAND	1	
53	22W-22189-00	BOOT, rubber	1	

FIG. 21 STEERING

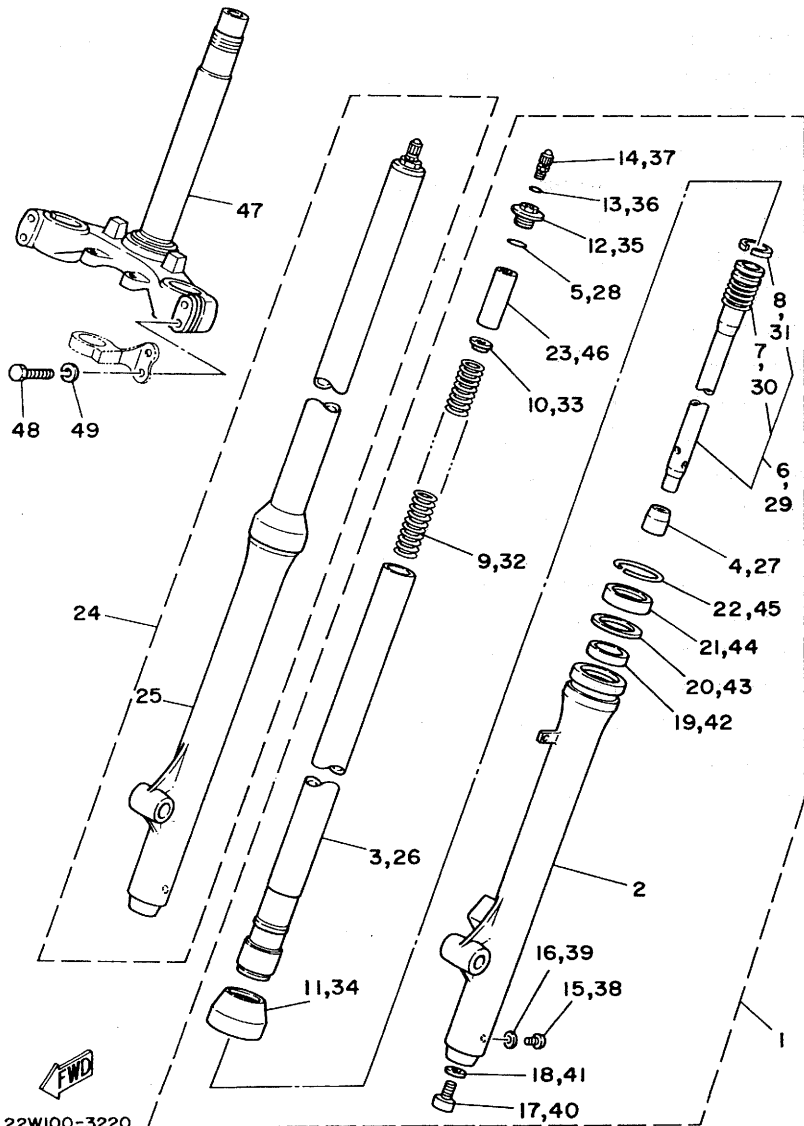


REF. NO.	PART NO.	DESCRIPTION	Q'TY	REMARKS
1	156-23411-00	RACE, ball 1	1	
2	164-23462-00	SEAL, steering	1	
3	22W-23389-00	GUIDE, cable	1	
4	156-23412-00	RACE, ball 2	1	
5	93501-04011	BALL	19	
6	122-23411-00	RACE, ball 1	1	
7	122-23412-00	RACE, ball 2	1	
8	93503-16010	BALL	22	
9	122-23416-00	COVER, ball race 2	1	
10	90179-25033	NUT	1	
11	90105-14102	BOLT, washer based	1	
12	22W-23435-00-98	CROWN, handle	1	low gloss black
13	95801-08035	BOLT, flange	2	
14	1E6-23441-00-98	HOLDER, handle upper	2	low gloss black
15	95821-08030	BOLT, flange	4	
16	22W-23485-10	PLATE, number	1	
17	22W-21785-10	EMBLEM 5	1	UR
	22W-21785-00	EMBLEM 5	1	UR FOR CANADA, OCEANIA
18	90159-06060	SCREW, with washer	1	
19	90462-14055	CLAMP	2	
20	92501-06012	SCREW, Pan head	1	
21	92901-06100	WASHER, sPring	1	

FWD
22W300-3210

C11

FIG. 22 FRONT FORK

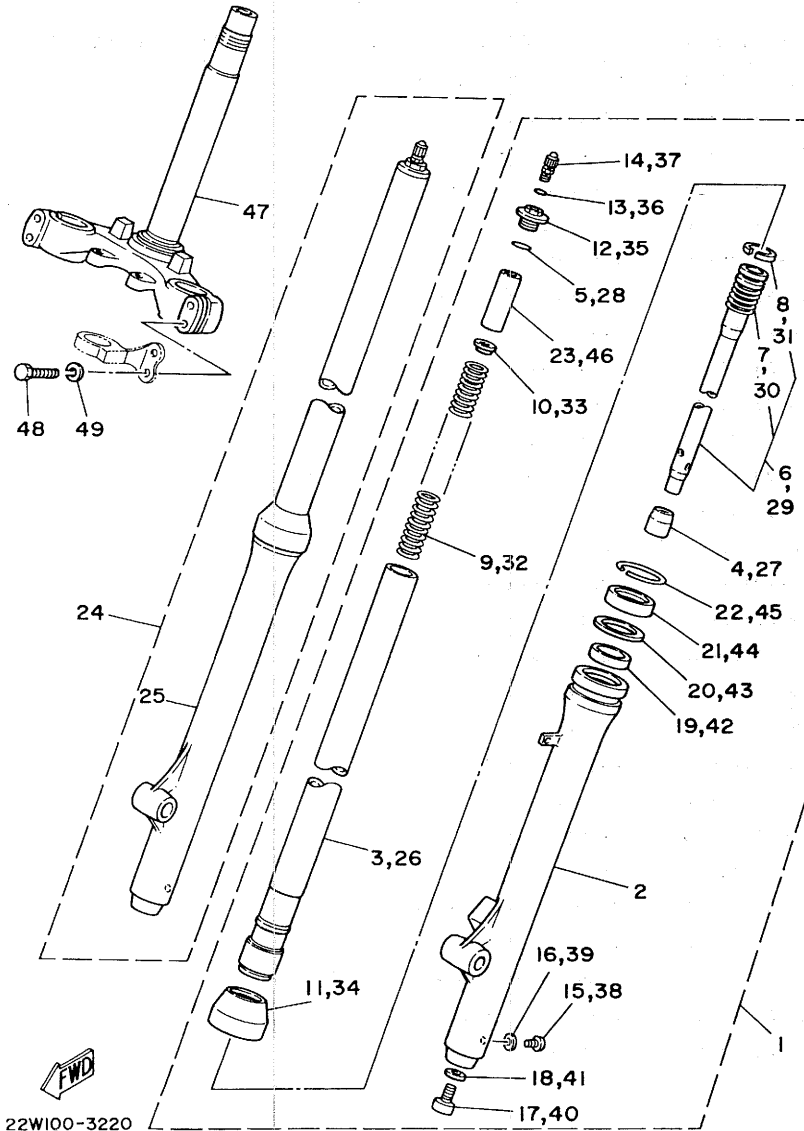


22W100-3220

REF. NO.	PART NO.	DESCRIPTION	Q'TY	REMARKS
1	22W-23102-L0	FRONT FORK ASSY (L.H)	1	
2	22W-23126-L0	•TUBE, outer 1	1	
3	22W-23110-L0	•INNER TUBE COMP.1	1	
4	3R8-23173-L0	•SPINDLE, taPer	1	
5	3J2-23114-00	•O-RING	1	
6	22W-23170-L0	•CYLINDER COMP., front fork	1	
7	509-23151-L0	••SPRING, rebound	1	
8	22W-23157-L0	••RING, Piston	1	
9	22W-23141-L0	•SPRING, front fork	1	
10	583-23142-00	•SEAT, sPring uPPer	1	
11	22W-23144-L0	•SEAL, dust	1	
12	22W-23111-L0	•BOLT, caP	1	
13	3J2-23147-00	•O-RING	1	
14	22W-23190-L0	•AIR VALVE COMP.	1	
15	122-23119-01	•PLUG, drain	1	
16	122-23129-00	•GASKET, drain Plug	1	
17	278-23128-51	•BOLT, axle holder	1	
18	509-23158-L0	•GASKET	1	
19	22W-23125-L0	•METAL, slide 1	1	
20	22W-23146-L0	•WASHER, oil seal	1	
21	22W-23145-L0	•OIL SEAL	1	
22	22W-23153-L0	•RING, snaP	1	
23	11H-23118-00	•SPACER	1	
24	22W-23103-L0	FRONT FORK ASSY (R.H)	1	
25	22W-23136-L0	•TUBE, outer 2	1	
26	22W-23110-L0	•INNER TUBE COMP.1	1	
27	3R8-23173-L0	•SPINDLE, taPer	1	
28	3J2-23114-00	•O-RING	1	

C12

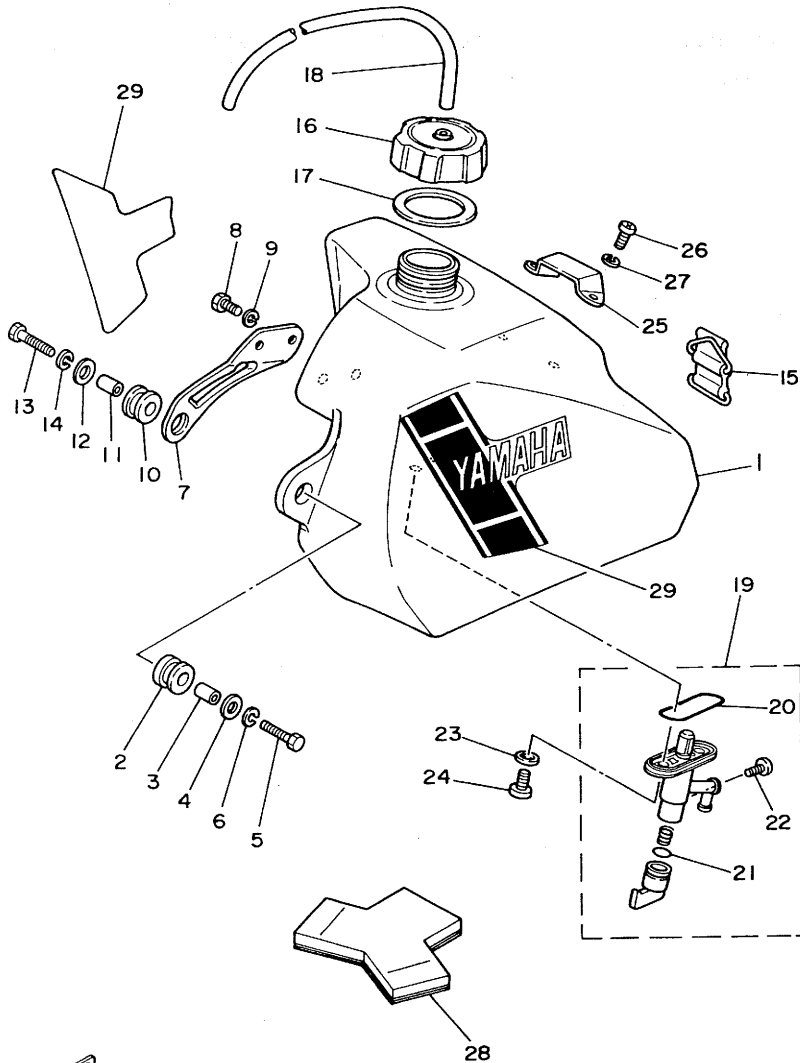
FIG. 22 FRONT FORK



22W100-3220

REF. NO.	PART NO.	DESCRIPTION	Q'TY	REMARKS
29	22W-23170-L0	•CYLINDER COMP., front fork	1	
30	509-23151-L0	••SPRING, rebound	1	
31	22W-23157-L0	••RING, Piston	1	
32	22W-23141-L0	•SPRING, front fork	1	
33	583-23142-00	•SEAT, sPring upper	1	
34	22W-23144-L0	•SEAL, dust	1	
35	22W-23111-L0	•BOLT, caP	1	
36	3J2-23147-00	•O-RING	1	
37	22W-23190-L0	•AIR VALVE COMP.	1	
38	122-23119-01	•PLUG, drain	1	
39	122-23129-00	•GASKET, drain Plug	1	
40	278-23128-51	•BOLT, axle holder	1	
41	509-23158-L0	•GASKET	1	
42	22W-23125-L0	•METAL, slide 1	1	
43	22W-23146-L0	•WASHER, oil seal	1	
44	22W-23145-L0	•OIL SEAL	1	
45	22W-23153-L0	•RING, snaP	1	
46	11H-23118-00	•SPACER	1	
47	22W-23340-L0-33	UNDER BRACKET COMP.	1	yamaha black
48	97321-08035	BOLT	4	
49	92901-08100	WASHER, sPring	4	

FIG. 23 FUEL TANK

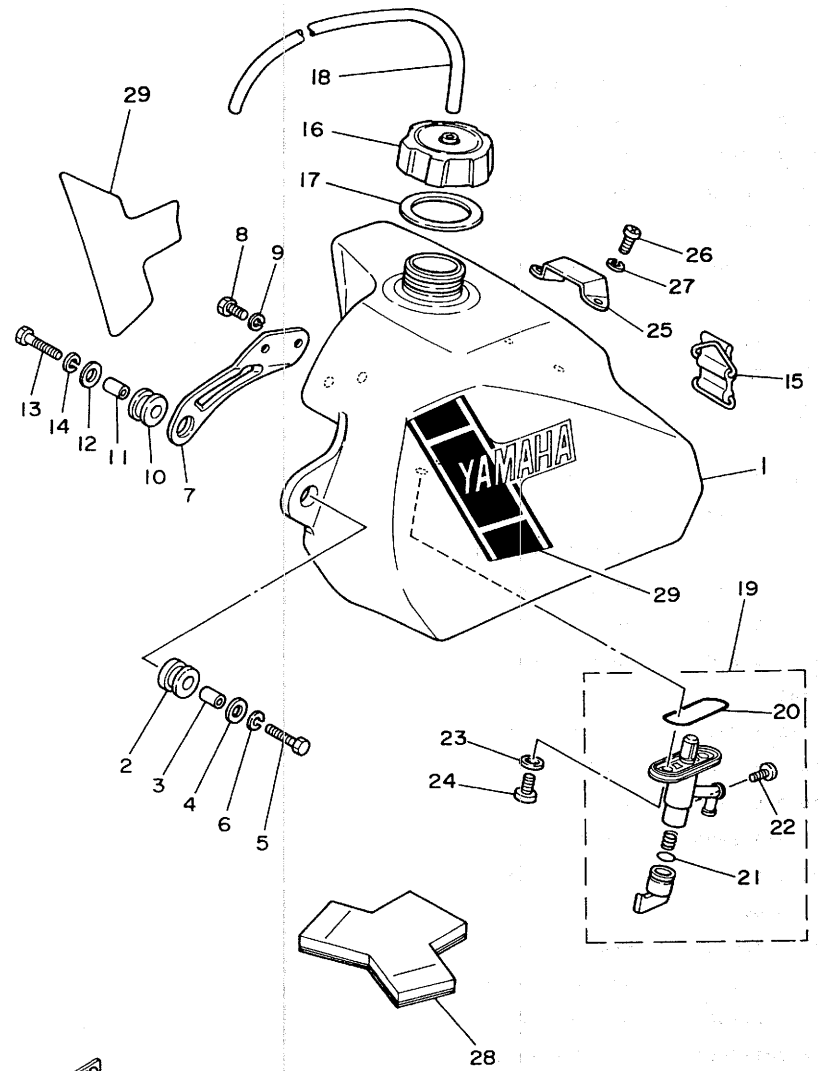


REF. NO.	PART NO.	DESCRIPTION	Q'TY	REMARKS
1	22W-24110-10	FUEL TANK COMP.	1	clean white
2	90480-18290	GROMMET	1	
3	90387-07598	COLLAR	1	
4	90201-06072	WASHER, Plate	1	
5	97321-06030	BOLT	1	
6	92901-06100	WASHER, sPring	1	
7	22W-24158-00	STAY, fuel tank 2	1	
8	97301-06012	BOLT	2	
9	92901-06100	WASHER, sPring	2	
10	90480-18290	GROMMET	1	
11	90387-07598	COLLAR	1	
12	90201-06072	WASHER, Plate	1	
13	97321-06030	BOLT	1	
14	92901-06100	WASHER, sPring	1	
15	3R3-24173-00	BAND, tank fitting 1	1	
16	5X7-24611-01	BODY, caP	1	
17	5X7-24612-00	GASKET, caP	1	
18	90445-09104	HOSE	1	
19	2K5-24500-00	FUEL COCK ASSY 1	1	
20	214-24512-00	•GASKET	1	
21	1A0-24512-00	•O-RING	1	
22	619-24535-00	•SCREW, lever fitting	1	
23	90202-06010	WASHER, Plate	2	
24	90149-06011	SCREW	2	
25	5X7-2412F-00	BRACKET, seat	1	
26	92501-06012	SCREW, Pan head	2	
27	92901-06100	WASHER, sPring	2	
28	22W-24183-00	DAMPER, locating 3	1	



22W100-3230

FIG. 23 FUEL TANK



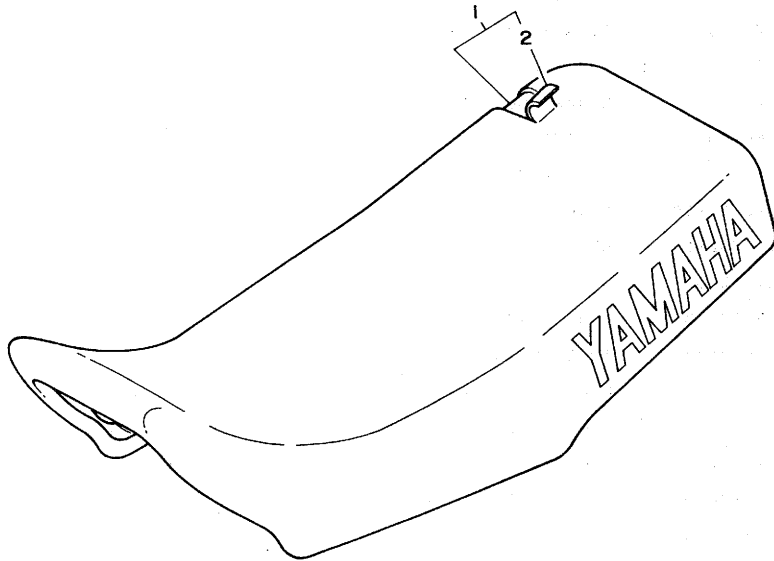
REF. NO.	PART NO.	DESCRIPTION	Q'TY	REMARKS
29	22W-24250-10	GRAPIC SET	1	


22W100-3230

C15

FIG. 24 SEAT

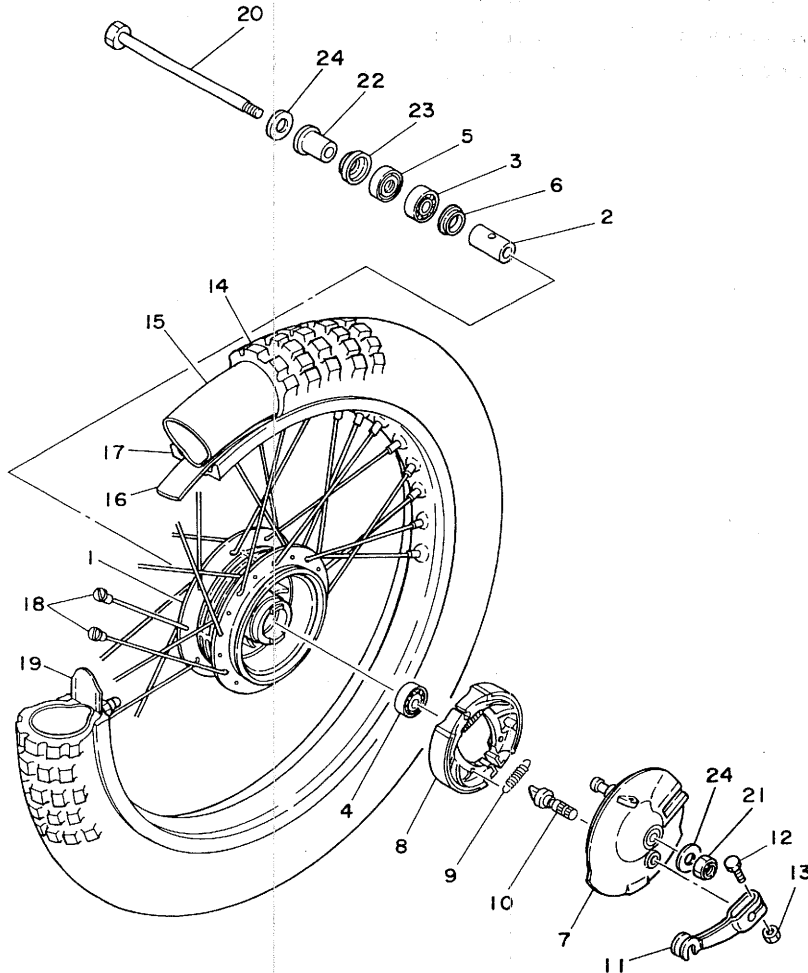
REF. NO.	PART NO.	DESCRIPTION	Q'TY	REMARKS
1	22W-24770-10	SEMI-DOUBLE SEAT ASSY	1	
2	22W-24771-10	COVER, semi-double seat	1	



22W100-3240

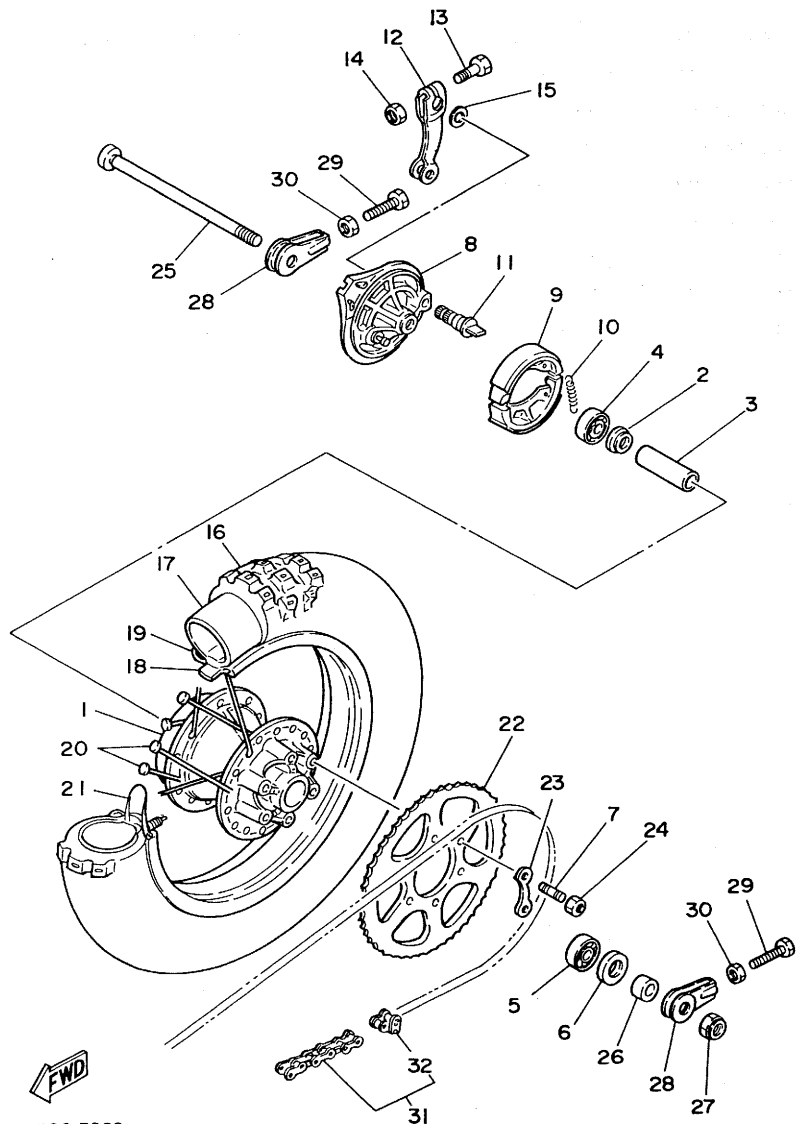
D2

FIG. 25 FRONT WHEEL



REF. NO.	PART NO.	DESCRIPTION	Q'TY	REMARKS
1	462-25111-01-98	HUB, front	1	low gloss black
2	90560-12138	SPACER	1	
3	93306-00105	BEARING (B6001)	1	
4	93306-00104	BEARING (B6001RS)	1	
5	93106-18013	OIL SEAL	1	
6	462-25115-00	FLANGE, sPacer 1	1	
7	2J5-25121-00-98	PLATE, brake shoe	1	low gloss black
8	5X2-25130-00	BRAKE SHOE COMP.	2	
9	90506-14081	SPRING, tension	2	
10	451-25151-00	CAMSHAFT	1	
11	451-25155-00	LEVER, camshaft 1	1	
12	90101-06291	BOLT	1	
13	95301-06600	NUT	1	
14	94127-17723	TIRE (2.75-17)	1	
15	94227-17152	TUBE (2.75-17)	1	
16	94327-17103	BAND, rim (2.75-17)	1	bridgestone
17	94414-17341	RIM (1.40-17)	1	UR FOR EUROPE
	94414-17303	RIM (1.40-17)	1	UR EXCEPT EUROPE
18	4V1-25104-00	SPOKE SET, front	1	
19	1T1-25194-00	SPACER, bead	1	
20	22W-25181-01	AXLE, wheel	1	
21	90185-12046	NUT, self-locking	1	
22	2J5-25183-00	COLLAR, wheel	1	
23	462-25118-00	COVER, hub dust	1	
24	90201-12174	WASHER, Plate	2	

FIG. 26 REAR WHEEL

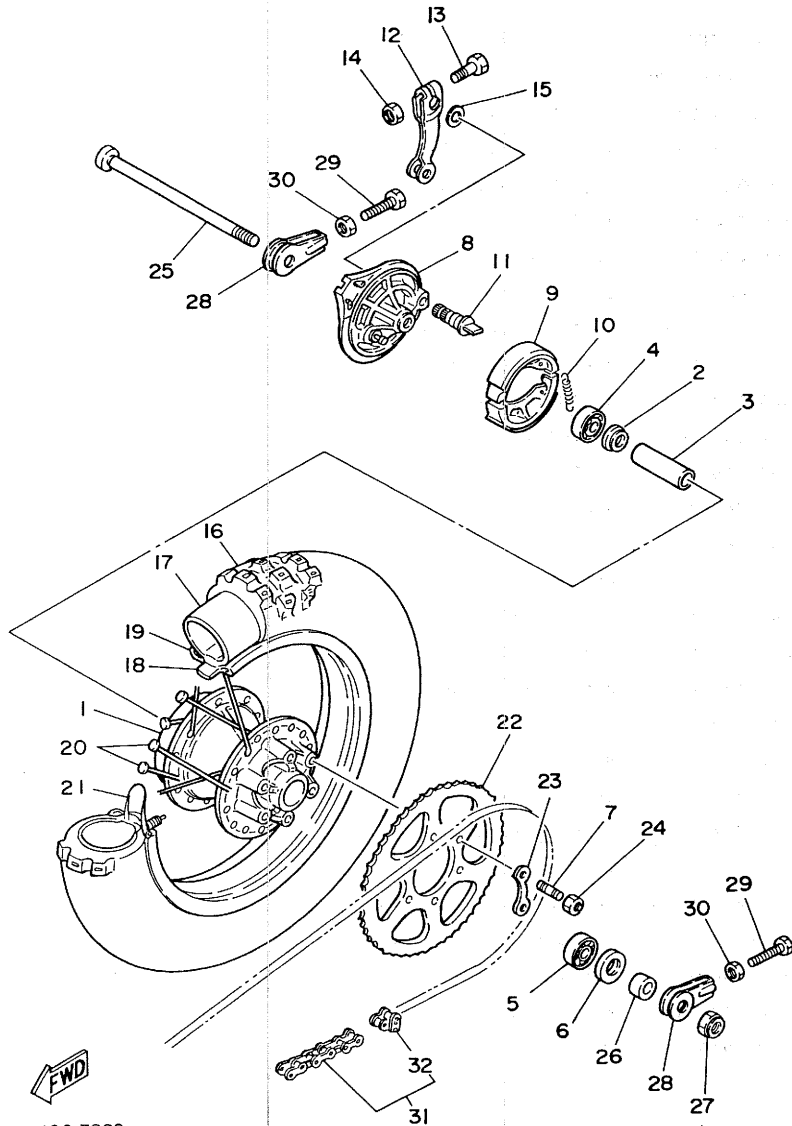


REF. NO.	PART NO.	DESCRIPTION	Q'TY	REMARKS
1	5X2-25311-00-98	HUB, rear	1	low gloss black
2	183-25315-00	FLANGE, spacer	1	
3	5X2-25317-00	SPACER, bearing	1	
4	93306-30203	BEARING (B6302Z)	1	
5	93306-30208	BEARING	1	
6	93106-26005	OIL SEAL	1	
7	90116-08283	BOLT, stud	6	
8	5X2-25321-00-98	PLATE, brake shoe	1	low gloss black
9	451-25130-00	BRAKE SHOE COMP.	2	
10	90506-14081	SPRING, tension	2	
11	3R0-25351-00	CAMSHAFT	1	
12	3R0-25355-11	LEVER, camshaft	1	
13	90101-06278	BOLT	1	
14	95301-06600	NUT	1	
15	90201-12166	WASHER, Plate	1	
16	94141-14724	TIRE (4.10-14)	1	
17	94241-14175	TUBE (4.10-14)	1	
18	94336-14102	BAND, rim (3.60-14)	1	
19	94416-14342	RIM (1.60-14)	1	UR FOR EUROPE
	94416-14273	RIM (1.60-14)	1	UR EXCEPT EUROPE
20	4V1-25304-00	SPOKE SET, rear	1	
21	5X2-25394-00	SPACER, bead	1	
22	4V1-25442-10-33	SPROCKET, driven (42T)	1	STD yamaha black
	4V1-25440-10-33	SPROCKET, driven (40T)	1	AP yamaha black
	4V1-25444-10-33	SPROCKET, driven (44T)	1	AP yamaha black
	4V1-25446-10-33	SPROCKET, driven (46T)	1	AP yamaha black
23	214-25412-00	WASHER	3	
24	90170-08158	NUT	6	

22W100-3260

D4

FIG. 26 REAR WHEEL

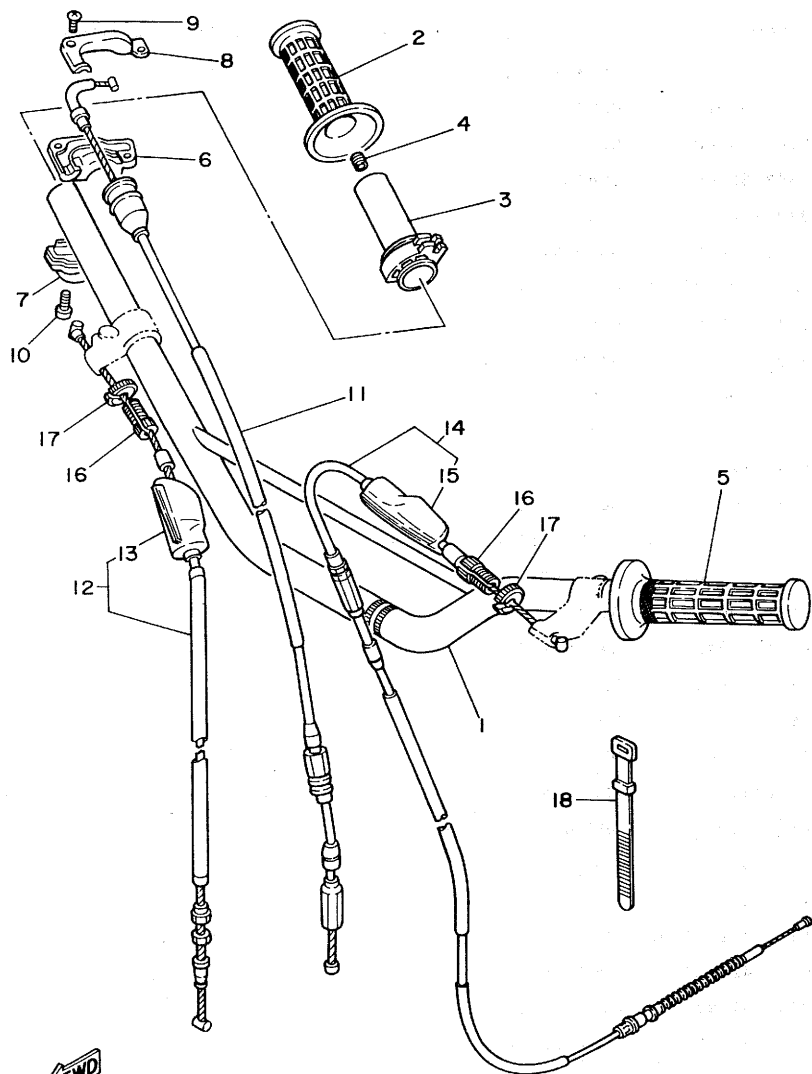


REF. NO.	PART NO.	DESCRIPTION	Q'TY	REMARKS
25	22W-25381-00	AXLE, wheel	1	
26	90387-15115	COLLAR	1	
27	90185-14112	NUT, self-locking	1	
28	248-25388-00	PULLER, chain 1	2	
29	90101-08034	BOLT	2	
30	95301-08700	NUT	2	
31	94580-24110	CHAIN	1	
32	94680-24001	JOINT, chain	1	

22W100-3260

D5

FIG. 27 HANDLEBAR-CABLE

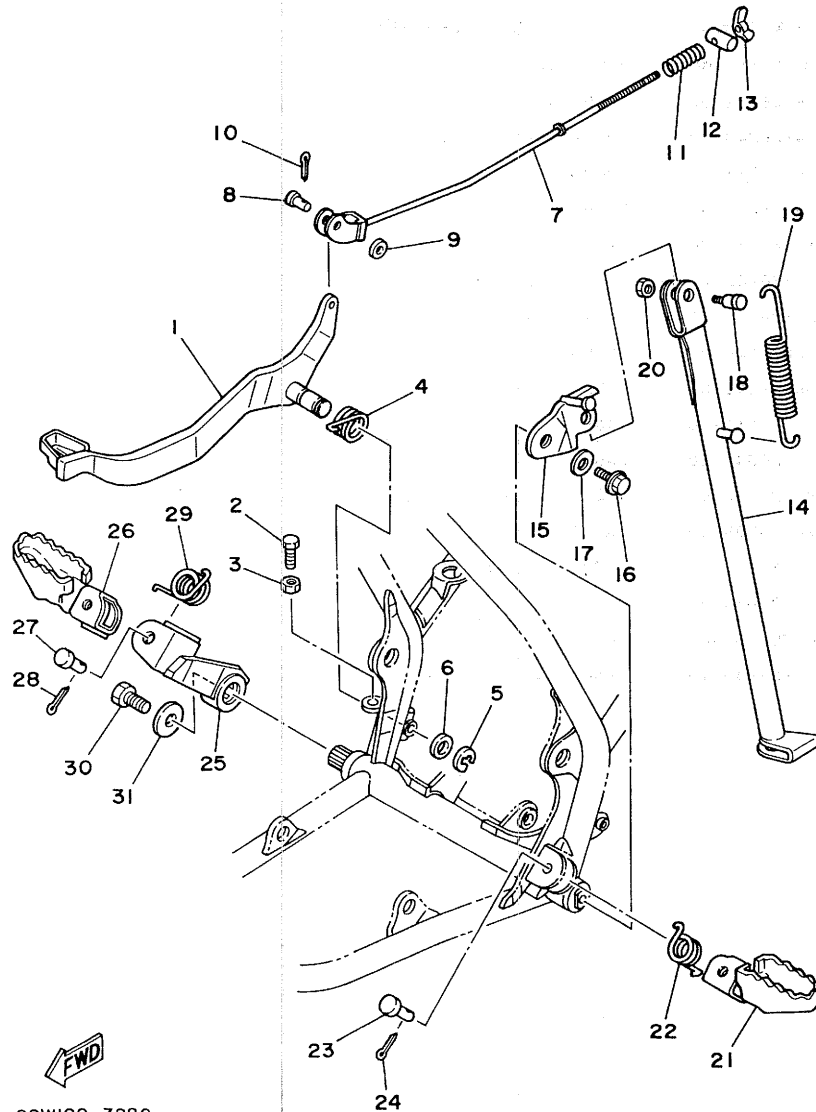


REF. NO.	PART NO.	DESCRIPTION	Q'TY	REMARKS
1	22W-26111-00	HANDLEBAR	1	
2	4V4-26242-00	GRIP (R.H)	1	
3	22W-26243-00	TUBE, throttle guide	1	
4	688-82535-00	GROMMET	1	
5	4V4-26241-00	GRIP (L.H)	1	
6	5X2-26281-00	CAP, grip upper	1	
7	322-26282-00-98	CAP, grip lower	1	low gloss black
8	5X2-2628H-01	CAP, wire	1	
9	98606-04012	SCREW, oval head	2	
10	98506-05016	SCREW, Pan head	2	
11	22W-26311-00	CABLE, throttle 1	1	
12	22W-26341-00	CABLE, brake	1	
13	382-26372-01	COVER, handle lever 1	1	
14	22W-26335-00	CABLE, clutch	1	
15	382-26372-01	COVER, handle lever 1	1	
16	90123-08013	BOLT	2	
17	90179-08148	NUT	2	
18	437-83936-10	BAND, switch cord	1	

22W100-3270

D6

FIG. 28 STAND.FOOTREST



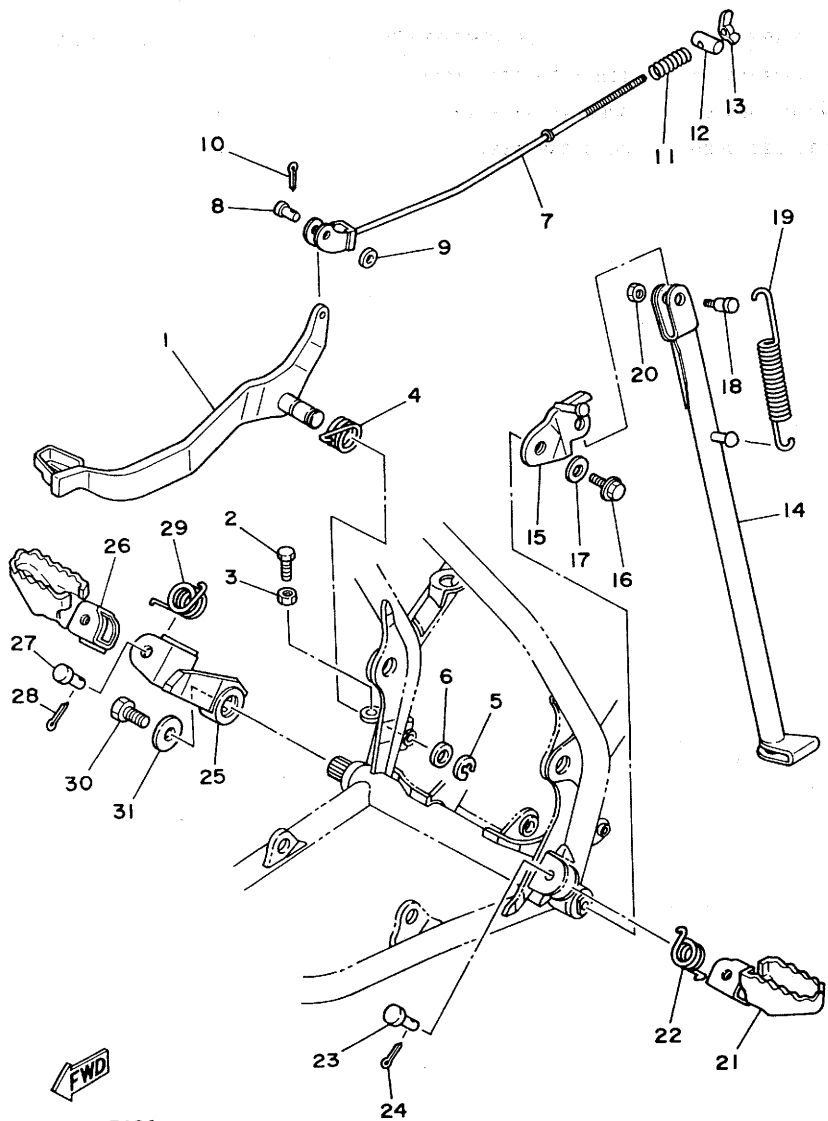
22W100-3280

REF. NO.	PART NO.	DESCRIPTION	Q'TY	REMARKS
1	22W-27211-00	PEDAL, brake	1	
2	97301-06012	BOLT	1	
3	95301-06700	NUT	1	
4	90508-32468	SPRING, torsion	1	
5	93430-09019	CIRCLIP	1	
6	92902-12600	WASHER, Plate	1	
7	22W-27231-00	ROD, brake	1	
8	90240-06040	PIN, clevis	1	
9	92901-06200	WASHER, Plain	1	
10	91401-20015	PIN, cotter	1	
11	90501-10245	SPRING, compression	1	
12	90249-12008	PIN	1	
13	90175-06016	NUT, wing	1	
14	22W-27311-00-R4	STAND, side	1	black
15	22W-27321-00	BRACKET, side stand	1	
16	95821-10016	BOLT, flange	1	
17	90201-102A2	WASHER, Plate	1	
18	90109-08666	BOLT	1	
19	90506-26270	SPRING, tension	1	
20	95301-08700	NUT	1	
21	3R1-27411-00 22W 27411-00	FOOTREST 1	1	uni chrome (black)
22	90508-20023	SPRING, torsion	1	INTERCHANGEABLE
23	90240-08097	PIN, clevis	1	
24	91401-25015	PIN, cotter	1	
25	5X2-27422-01-33	BRACKET, footrest 2	1	yamaha black
26	3R1-27421-00 22W 27421-00	FOOTREST 2	1	uni chrome (black)
27	90240-08097	PIN, clevis	1	INTERCH.
28	91401-25015	PIN, cotter	1	

D7

FIG. 28 STAND•FOOTREST

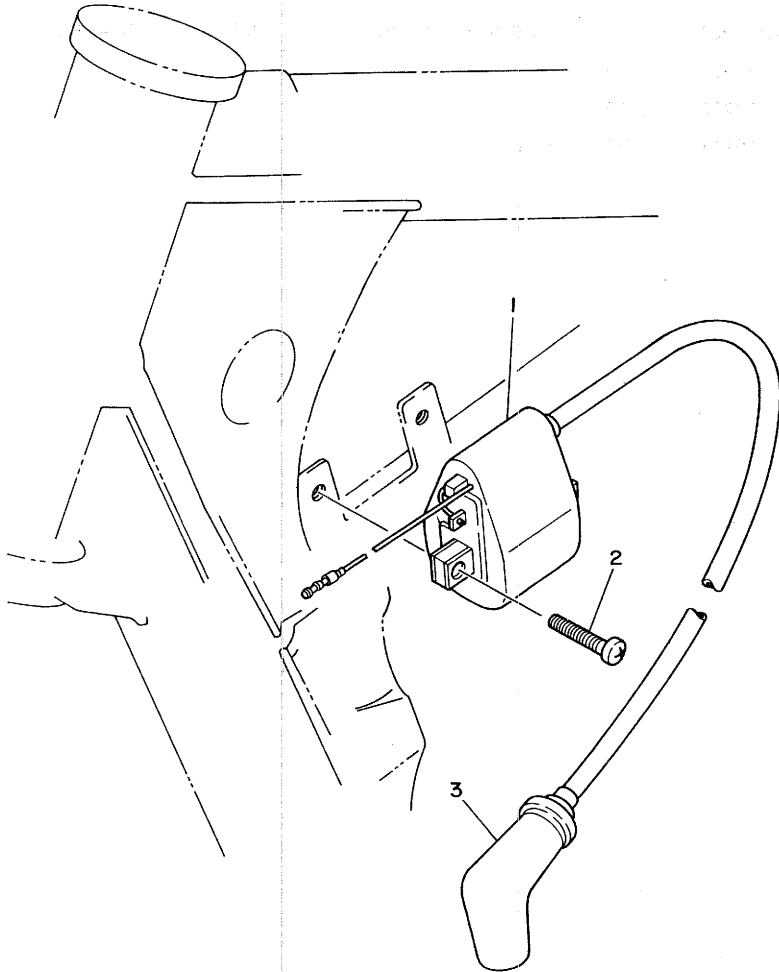
REF. NO.	PART NO.	DESCRIPTION	Q'TY	REMARKS
29	90508-20023	SPRING, torsion	1	
30	97311-10022	BOLT	1	
31	90201-10144	WASHER, Plate	1	



22W100-3280

D8

FIG. 29 ELECTRICAL 1



REF. NO.	PART NO.	DESCRIPTION	Q'TY	REMARKS
1	22W-82310-10	IGNITION COIL ASSY	1	
2	92501-06020	SCREW, Pan head	2	
3	3R0-82370-20	PLUG CAP ASSY	1	



22W100-3290

D9

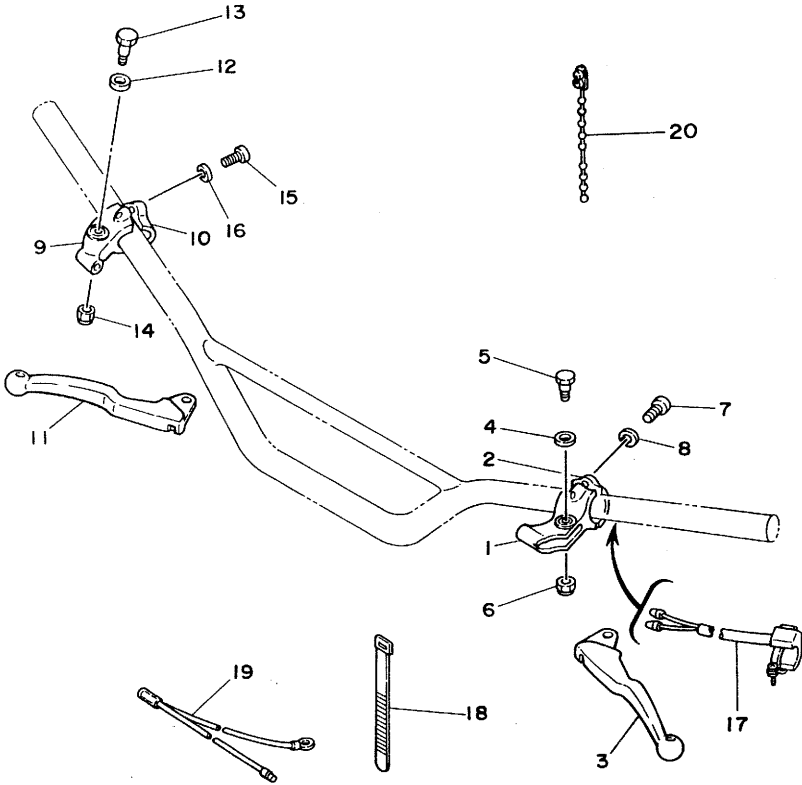


FIG. 30 HANDLE SWITCH•LEVER

REF. NO.	PART NO.	DESCRIPTION	Q'TY	REMARKS
1	23X-82911-00	HOLDER, lever 1	1	
2	23X-82913-00	HOLDER, lever lower 1	1	
3	23X-83912-00	LEVER 1	1	
4	90201-08083	WASHER, Plate	1	
5	90109-06410	BOLT	1	
6	95601-06100	NUT, u	1	
7	98506-05018	SCREW, Pan head	2	
8	92906-05100	WASHER, sPring	2	
9	23X-82921-00	HOLDER, lever 2	1	
10	23X-82913-00	HOLDER, lever lower 1	1	
11	23X-83922-00	LEVER 2	1	
12	90201-08083	WASHER, Plate	1	
13	90109-06410	BOLT	1	
14	95601-06100	NUT, u	1	
15	98506-05018	SCREW, Pan head	2	
16	92906-05100	WASHER, sPring	2	
17	22W-83976-00	SWITCH, handle 1	1	
18	437-83936-00	BAND, switch cord	1	
19	4V0-82519-00	WIRE, earth lead	1	
20	90464-20031	CLAMP	1	



22W100-3300

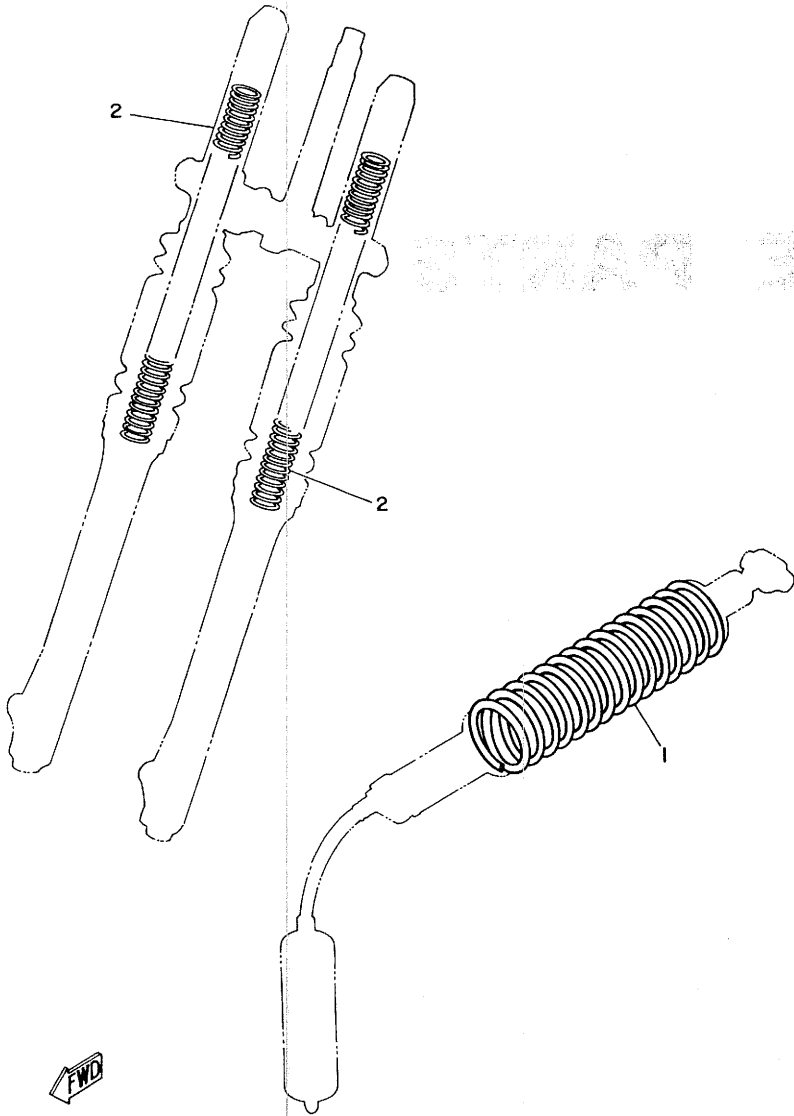
D10

ALTERNATE PARTS

30

FIG. 31 ALTERNATE (CHASSIS)

REF. NO.	PART NO.	DESCRIPTION	Q'TY	REMARKS
1	22W-22212-20-6W	SPRING (K=3.6)	1	native red hard
2	22W-23141-20	SPRING, front fork (K=0.24)	2	hard



4V5100-2320

D11

REPAIR KIT

(4/0)

FIG. 32 REPAIR KIT

REF. NO.	PART NO.	DESCRIPTION	Q'TY	REMARKS
1	22W-11630-0	PISTON ASSY (STD)	1	
2	22W-11631-0-94	.PISTON (STD)	1	
3	22W-11601-00	.PISTON RING SET (STD)	1	
4	4V1-11633-00	.PIN, Piston	1	
5	5X2-11634-00	.CLIP, Piston Pin	2	
6	22W-11630-1	PISTON ASSY (1ST O/S)	1	
7	22W-11635-0	.PISTON (1ST O/S 0.25MM)	1	
8	22W-11601-10	.PISTON RING SET (1ST O/S)	1	
9	4V1-11633-00	.PIN, Piston	1	
10	5X2-11634-00	.CLIP, Piston Pin	2	
11	22W-11630-2	PISTON ASSY (2ND O/S)	1	
12	22W-11636-0	.PISTON (2ND O/S 0.50MM)	1	
13	22W-11601-20	.PISTON RING SET (2ND O/S)	1	
14	4V1-11633-00	.PIN, Piston	1	
15	5X2-11634-00	.CLIP, Piston Pin	2	
16	22W-11630-3	PISTON ASSY (3RD O/S)	1	
17	22W-11637-0	.PISTON (3RD O/S 0.75MM)	1	
18	22W-11601-30	.PISTON RING SET (3RD O/S)	1	
19	4V1-11633-00	.PIN, Piston	1	
20	5X2-11634-00	.CLIP, Piston Pin	2	
21	22W-11630-4	PISTON ASSY (4TH O/S)	1	
22	22W-11638-0	.PISTON (4TH O/S 1.00MM)	1	
23	22W-11601-40	.PISTON RING SET (4TH O/S)	1	
24	4V1-11633-00	.PIN, Piston	1	
25	5X2-11634-00	.CLIP, Piston Pin	2	
26	22W-11650-00	CONNECTING ROD ASSY	1	
27	5X2-11651-00	.ROD, connecting	1	

D12

FIG. 32 REPAIR KIT

REF. NO.	PART NO.	DESCRIPTION	Q'TY	REMARKS
28	93310-418K9	•BEARING, cylindrical	1	
29	4V0-11681-00	•PIN, crank 1	1	
30	90209-18112	•WASHER	2	
31	93310-212K8	•BEARING, cylindrical	1	

D13

INDEX

NUMERICAL INDEX

PART NO.	REF. NO.	PART NO.	REF. NO.	PART NO.	REF. NO.	PART NO.	REF. NO.	PART NO.	REF. NO.	PART NO.	REF. NO.
164-23462-00	21- 2	4V4-26242-00	27- 2	90109-10689	19-30	90201-10614	4- 5	90460-27219	5- 7	92506-06030	10- 3
22W-23472-00	18-18	22W-26243-00	27- 3		20-46	90201-12166	26-15	90460-43053	6- 9	92506-06060	4-14
22W-23485-10	21-16	5X2-2628H-01	27- 8	90109-10690	19-22	90201-12174	25-24	90460-51059	6-10	92701-06012	13- 8
22W-24110-10	23- 1	5X2-26281-00	27- 6	90109-10729	20-41	90201-12631	20-41	90462-05005	3-19	92901-04100	3-10
5X7-2412F-00	23-25	322-26282-00-98	27- 7	90116-08283	26- 7	90201-14411	12-22	90462-14055	21-19	92901-04200	6-21
22W-24158-00	23- 7	22W-26311-00	27-11	90116-08402	1- 6	90201-154A1	11- 4	90464-20031	30-20	92901-04600	3-11
3R3-24173-00	23-15	22W-26335-00	27-14	90119-06063	17- 2	90202-06010	8- 4	90467-08004	5- 4	92901-05100	3- 6
22W-24181-00	5-16	22W-26341-00	27-12	90119-06080	5-13		23-23	90467-16063	6-32	92901-05600	3- 7
	18- 2	382-26372-01	27-13	90123-08013	27-16	90208-12015	12- 4	90468-26046	11- 3		6-14
22W-24183-00	23-28		27-15	90149-06011	23-24		12-15	90480-15064	5-14	92901-06100	3-13
22W-24250-10	23-29	22W-27211-00	28- 1	90159-05072	18-19	90209-06187	17- 4	90480-17359	20-51		6-29
2K5-24500-00	23-19	22W-27231-00	28- 7	90159-05073	18-17	90209-18112	2- 7	90480-18290	23- 2		6-34
1A0-24512-00	23-21	22W-27311-00-R4	28-14	90159-06060	21-18		32-30		23-10		8-10
214-24512-00	23-20	22W-27321-00	28-15	90170-08158	26-24	90240-06040	28- 8	90501-10245	28-11		18- 6
619-24535-00	23-22	3R1-27411-00	28-21	90170-12060	12-16	90240-08097	28-23	90501-12081	11-14		18-12
5X7-24611-01	23-16	3R1-27421-00	28-26	90170-20213	20-16		28-27	90501-20644	12-11		21-21
5X7-24612-00	23-17	5X2-27422-01-33	28-25		20-36	90249-12008	28-12	90504-03033	6-18		23- 6
22W-24770-10	24- 1	5X2-28100-00	16-14	90175-06016	28-13	90250-06013	14- 8	90506-14081	25- 9		23- 9
22W-24771-10	24- 2	109-81328-11	3- 8	90179-08148	27-17	90267-40075	6-20		26-10		23-14
4V1-25104-00	25-18	22W-82310-10	29- 1	90179-10257	3-15	90280-03017	2-13	90506-26270	28-19		23-27
462-25111-01-98	25- 1	3R0-82370-20	29- 3	90179-10272	11-18	90282-05001	12- 3	90507-20030	8- 7	92901-06200	28- 9
462-25115-00	25- 6	4V0-82519-00	30-19	90179-12335	12- 5	90338-07011	9- 8	90508-18463	12-23	92901-06600	3-14
462-25118-00	25-23	688-82535-00	27- 4	90179-25033	21-10	90340-12059	9-11	90508-20023	28-22		6- 8
2J5-25121-00-98	25- 7	7F6-82591-00	20-52	90185-08089	16- 5	90380-12094	19-20		28-29		6-35
451-25130-00	26- 9	23X-82911-00	30- 1	90185-08113	17-12	90380-16109	19-26	90508-26462	14- 3		8-11
5X2-25130-00	25- 8	23X-82913-00	30- 2	90185-10110	19-24	90381-08002	4- 4	90508-26464	11- 5	92901-08100	16-12
451-25151-00	25-10		30-10		19-32	90383-16023	19-27	90508-32465	15- 3		22-49
451-25155-00	25-11	23X-82921-00	30- 9		19-38		19-34	90508-32468	28- 4	92901-08200	16- 4
22W-25181-01	25-20	23X-83912-00	30- 3		20-43	90384-18157	19-19	90508-12138	25- 2	92901-10600	19-31
2J5-25183-00	25-22	23X-83922-00	30-11		20-48	90386-18099	19-19	91401-20015	28-10		19-39
1T1-25194-00	25-19	437-83936-00	30-18	90185-12046	25-21	90386-18109	19- 7	91401-25015	28-24		20-42
4V1-25304-00	26-20	437-83936-10	3-18	90185-14112	26-27	90387-07392	5-15		28-28		20-47
5X2-25311-00-98	26- 1		27-18	90201-05775	12-14	90387-07598	23- 3	91830-21014	10- 6	92901-12100	19- 5
183-25315-00	26- 2	22W-83976-00	30-17	90201-06072	23- 4		23-11	91830-22016	9- 6	92902-04100	7-15
5X2-25317-00	26- 3	5X2-85500-10	3- 1		23-12	90387-10569	19-36	92501-06012	9-10	92902-06100	17- 7
5X2-25321-00-98	26- 8	5X2-85510-10	3- 3	90201-06557	17- 8	90387-10660	19-29		21-20	92902-06700	16- 9
3R0-25351-00	26-11	5X2-85520-10	3- 4	90201-06570	5-12		20-44		23-26	92902-12600	28- 6
3R0-25355-11	26-12	5X2-85540-10	3-16	90201-06571	18- 7	90387-121F6	19- 8	92501-06015	18- 5	92906-05100	30- 8
22W-25381-00	26-25	2A7-85546-00	3-17		18-13	90387-121F7	19- 9		18-11		30-16
248-25388-00	26-28	5X2-85550-10	3- 2	90201-067A0	16- 7	90387-15115	26-26	92501-06020	3-12	93102-20143	13-23
5X2-25394-00	26-21	90101-06278	26-13	90201-08083	30- 4	90387-20163	12- 2		29- 2	93102-20231	2-15
214-25412-00	26-23	90101-06291	25-12		30-12	90430-06016	10-11	92501-06035	9- 3	93103-10113	4- 3
4V1-25440-10-33	26-22	90101-08034	26-29	90201-08085	4- 8	90430-06166	1- 9	92501-06045	9- 2	93103-28126	2-16
4V1-25442-10-33	26-22	90105-14102	21-11	90201-08649	1-10		4-12	92502-06016	17- 6	93106-18013	25- 5
4V1-25444-10-33	26-22	90109-06410	30- 5	90201-08730	17- 9	90430-12038	9-12	92506-06008	10-10	93106-26005	26- 6
4V1-25446-10-33	26-22		30-13	90201-100E9	19-23	90445-08376	9- 5	92506-06016	4-15	93109-12012	15- 5
22W-26111-00	27- 1	90109-08666	28-18	90201-10144	28-31	90445-09104	23-18		5- 9	93109-14021	12-21
4V4-26241-00	27- 5	90109-10688	19-37	90201-102A2	28-17	90445-16673	6-31	92506-06025	10- 7	93109-15001	11- 7

NUMERICAL INDEX

PART NO.	REF. NO.	PART NO.	REF. NO.	PART NO.	REF. NO.
93109-16035	19-28	94416-14342	26-19	98701-05020	12-12
93109-18020	19-10	94580-24110	26-31	98903-06008	8- 3
93210-14104	10- 9	94680-24001	26-32		
93210-16275	5-10	*	1- 3		
93210-18288	7- 7		1- 3		
93306-00104	25- 4	95301-06600	25-13		
93306-00105	25- 3		26-14		
93306-20303	13-19	95301-06700	28- 3		
93306-20401	13-22	95301-08700	26-30		
93306-20438	2-14		28-20		
93306-30203	26- 4	95311-08600	1- 7		
93306-30208	26- 5	95311-12700	19- 4		
93310-212K8	2-12	95601-05100	6-13		
	32-31	95601-06100	30- 6		
93310-418K9	2- 5		30-14		
	32-28	95601-08100	19-16		
93311-31249	13-20	95801-08020	17-11		
93315-21429	12-20	95801-08025	17-10		
93315-31502	13-21	95801-08035	21-13		
93410-12003	11-10	95811-08120	16- 2		
93410-18062	13-25	95811-08135	16- 3		
93410-20038	13-16	95821-08030	21-15		
93430-07012	4- 7	95821-08040	19-15		
93430-08007	11-16	95821-10016	28-16		
93430-09019	28- 5	95826-06010	1- 8		
93430-10016	15- 2	95826-06020	4-13		
93440-15012	13-18	97301-06012	6-28		
93440-16089	13- 6		6-33		
93440-42101	20-20		23- 8		
	20-40		28- 2		
93501-04011	21- 5	97301-06016	8- 9		
93503-16010	12-19		16- 8		
	21- 8	97301-06025	6- 7		
93507-32009	11-13	97301-08016	16-11		
93603-22028	4- 6	97311-10022	28-30		
93604-10011	4-11	97321-06020	15- 7		
93604-26132	20-13	97321-06030	23- 5		
	20-33		23-13		
93608-30128	15- 4	97321-08035	22-48		
94127-17723	25-14	97602-03108	6- 4		
94141-14724	26-16	98501-04005	20- 4		
94227-17152	25-15		20-24		
94241-14175	26-17	98501-04008	3- 9		
94327-17103	25-16	98501-04016	7-14		
94336-14102	26-18	98501-05030	3- 5		
94414-17303	25-17	98506-05016	27-10		
94414-17341	25-17	98506-05018	30- 7		
94416-14273	26-19		30-15		
		98606-04012	27- 9		

PARTS NAME INDEX

DESCRIPTION	REF. NO.
AIR SCREW SET	7-24
AIR VALVE COMP.	22-14
*	22-37
ARM, relay	19-17
AXLE, drive	13- 9
AXLE, main	13- 1
AXLE, wheel	25-20
*	26-25
BALL	11-13
*	12-19
*	21- 5
*	21- 8
BAND	3-17
*	20-52
BAND, rim (2.75-17)	25-16
BAND, rim (3.60-14)	26-18
BAND, switch cord	3-18
*	27-18
*	30-18
BAND, tank fitting 1	23-15
BAR, shift fork guide 1	14- 9
BAR, shift fork guide 2	14-10
BEARING	2-14
*	26- 5
BEARING (B6001)	25- 3
BEARING (B6001RS)	25- 4
BEARING (B6203Z)	13-19
BEARING (B6204)	13-22
BEARING (B6302Z)	26- 4
BEARING, cylindrical	2- 5
*	2-12
*	12-20
*	13-20
*	13-21
*	32-28
*	32-31
BODY, caP	23-16
BOLT	6- 7
*	6-28
*	6-33
*	8- 9
*	15- 7
*	16- 8
*	16-11
*	19-22
*	19-30
*	19-37
*	20-41

PARTS NAME INDEX

DESCRIPTION	REF. NO.
BOLT	20-46
*	22-48
*	23- 5
*	23- 8
*	23-13
*	25-12
*	26-13
*	26-29
*	27-16
*	28- 2
*	28-18
*	28-30
*	30- 5
*	30-13
BOLT, axle holder	22-17
*	22-40
BOLT, caP	22-12
*	22-35
BOLT, flange	1- 8
*	4-13
*	16- 2
*	16- 3
*	17-10
*	17-11
*	19-15
*	21-13
*	21-15
*	28-16
BOLT, stopPer	14- 4
BOLT, stud	1- 6
*	26- 7
BOLT, washer based	21-11
BOLT, with washer	5-13
*	17- 2
BOOT, rubber	20-53
BOSS, clutch	12- 7
BOSS, kick crank	11-12
BRACKET, footrest 2	28-25
BRACKET, seat	23-25
BRACKET, side stand	28-15
BRAKE SHOE COMP.	25- 8
*	26- 9
BUMP, stop	20- 9
*	20-29
BUSH	16-13
*	19- 6
*	19- 7
BUSH 1	19-18
BUSH 2	19-25

PARTS NAME INDEX

DESCRIPTION	REF. NO.
BUSH, bimetal formed	19-19
BUSH, formed	19-27
*	19-34
BUSH, rear shock absorber	20- 3
*	20-23
BUSH, solid	4- 4
*	19-20
*	19-26
C.D.I. MAGNETO ASSY	3- 1
C.D.I. UNIT ASSY	3-16
CABLE ADJUST SCREW SET	7-16
CABLE, brake	27-12
CABLE, clutch	27-14
CABLE, throttle 1	27-11
CAMSHAFT	25-10
*	26-11
CAP	7-17
CAP, case	20- 8
*	20-28
CAP, cleaner case 1	6-27
CAP, grip lower	27- 7
CAP, grip upper	27- 6
CAP, radiator	5- 2
CAP, wire	27- 8
CARBURETOR ASSY 1	7- 1
CASE, air cleaner 1	6-11
CHAIN	26-31
CHAMBER, air	6-30
CIRCLIP	4- 7
*	11-10
*	11-16
*	13- 6
*	13-16
*	13-18
*	13-25
*	15- 2
*	20-20
*	20-40
*	28- 5
CLAMP	3- 8
*	3-19
*	21-19
*	30-20
CLAMP, hose	5- 7
*	6- 9
*	6-10
CLIP	5- 4
*	6-32

PARTS NAME INDEX

DESCRIPTION	REF. NO.
CLIP	11- 3
CLIP, Piston Pin	2-11
*	32- 5
*	32-10
*	32-15
*	32-20
*	32-25
COIL, charge	3- 4
COLLAR	5-15
*	12- 2
*	19- 8
*	19- 9
*	19-29
*	19-36
*	20-44
*	23- 3
*	23-11
*	26-26
COLLAR, wheel	25-22
CONNECTING ROD ASSY	32-26
CONNECTOR, suction Pipe	9- 4
COVER	20-14
*	20-34
COVER, ball race 2	21- 9
COVER, crankcase 1	10- 1
COVER, crankcase 2	10- 4
COVER, handle lever 1	27-13
*	27-15
COVER, housing	4- 9
COVER, hub dust	25-23
COVER, kick lever	11-17
COVER, semi-double seat	24- 2
COVER, side 1	18- 1
COVER, side 2	18- 8
COVER, side 4	18-14
COVER, thrust 2	19-21
*	19-35
*	20-45
CRANK 1	2- 2
CRANK 2	2- 3
CRANKCASE 1	9- 1
CRANKCASE 2	9- 7
CRANKSHAFT ASSY	2- 1
CROWN, handle	21-12
CYLINDER COMP., front fork	22- 6
*	22-29
CYLINDER 1	1- 4
DAMPER	18-15

PARTS NAME INDEX

DESCRIPTION	REF. NO.
DAMPER SUB ASSY	20- 2
*	20-22
DAMPER 1	6-22
DAMPER 2	6-23
DAMPER, locating 1	5-16
*	18- 2
DAMPER, locating 3	23-28
DAMPER, sub tank	20-49
ELEMENT, air cleaner	6-24
EMBLEM 1	18- 3
*	18- 9
EMBLEM 2	18- 4
*	18-10
EMBLEM 5	21-17
*	21-17
EMBLEM, rear arm	19- 2
EXHAUST PIPE ASSY 1	8- 1
*	8- 1
FENDER, front	17- 1
FENDER, rear	17- 5
FLANGE, spacer	26- 2
FLANGE, spacer 1	25- 6
FLOAT	7-11
FOOTREST 1	28-21
FOOTREST 2	28-26
FORK, shift 1	14- 5
FORK, shift 2	14- 6
FORK, shift 3	14- 7
FRAME COMP	16- 1
FRONT FORK ASSY (L.H)	22- 1
FRONT FORK ASSY (R.H)	22-24
FUEL COCK ASSY 1	23-19
FUEL TANK COMP.	23- 1
GASKET	1- 9
*	4-12
*	7-21
*	9-12
*	10-11
*	22-18
*	22-41
*	23-20
GASKET, cap	23-17
GASKET, crankcase cover	10- 2
GASKET, crankcase cover 3	10- 5
GASKET, cylinder	1- 5
GASKET, cylinder head 1	1- 2
GASKET, drain Plug	22-16
*	22-39

PARTS NAME INDEX

DESCRIPTION	REF. NO.
GASKET, exhaust Pipe	8- 5
GASKET, float chamber	7- 2
GASKET, housing cover 2	4-10
GASKET, valve seat	6- 5
GEAR, imPeller shaft	4- 1
GEAR, kick (24T)	11- 2
GEAR, Primary drive	12- 1
GEAR, sprocket idle (25T)	11- 8
GEAR, 1st wheel (36T)	13-15
GEAR, 2nd Pinion (16T)	13- 5
GEAR, 2nd wheel (33T)	13-10
GEAR, 3rd wheel (31T)	13-12
GEAR, 3rd/4th Pinion (19T,21T)	13- 3
GEAR, 4th wheel (28T)	13-13
GEAR, 5th Pinion (20T)	13- 2
GEAR, 5th wheel	13-14
GEAR, 6th Pinion	13- 4
GEAR, 6th wheel	13-11
GRAPIC SET	23-29
GRIP (L.H)	27- 5
GRIP (R.H)	27- 2
GROMMET	5-14
*	20-51
*	23- 2
*	23-10
*	27- 4
GUARD, flap	6-19
GUARD, radiator	16-10
GUIDE	6-25
GUIDE, cable	21- 3
GUIDE, spring	11- 6
GUIDE, spring 1	20-18
*	20-38
HANDLEBAR	27- 1
HEAD, cylinder 1	1- 1
HOLDER, guide	6-16
HOLDER, handle upper	21-14
HOLDER, lever lower 1	30- 2
*	30-10
HOLDER, lever 1	30- 1
HOLDER, lever 2	30- 9
HOLDER, sub tank	20-50
HOSE	6-31
*	9- 5
*	23-18
HUB, front	25- 1
HUB, rear	26- 1
IGNITION COIL ASSY	29- 1

PARTS NAME INDEX

DESCRIPTION	REF. NO.
IMPELLER SHAFT ASSY	4- 2
INNER TUBE COMP.1	22- 3
*	22-26
JET, main (#240)	7-10
JET, main (#250)	7-10
JET, main (#260)	7-10
JET, Pilot (#45.0)	7- 3
JOINT	5- 8
JOINT, air cleaner 1	6-12
JOINT, carburetor	6- 6
JOINT, chain	26-32
KEY, straight	12- 3
KEY, woodruff	2-13
KICK AXLE ASSY	11- 1
KICK CRANK ASSY	11-11
LEVER 1	30- 3
LEVER 2	30-11
LEVER, camshaft	26-12
LEVER, camshaft 1	25-11
METAL, slide 1	22-19
*	22-42
NEEDLE SET	7- 6
NEEDLE VALVE SET	7- 4
NOZZLE, main	7- 9
NUT	1- 7
*	3-15
*	11-18
*	12- 5
*	12-16
*	18-16
*	19- 4
*	20-16
*	20-36
*	21-10
*	25-13
*	26-14
*	26-24
*	26-30
*	27-17
*	28- 3
*	28-20
NUT, adjusting	20-12
*	20-32
NUT, self-locking	16- 5
*	17-12
*	19-24
*	19-32
*	19-38

PARTS NAME INDEX

DESCRIPTION	REF. NO.
NUT, self-locking	20-43
*	20-48
*	25-21
*	26-27
NUT, u	6-13
*	19-16
*	30- 6
*	30-14
NUT, wing	28-13
O-RING	5-10
*	7- 7
*	10- 9
*	22- 5
*	22-13
*	22-28
*	22-36
*	23-21
OIL SEAL	2-15
*	2-16
*	4- 3
*	11- 7
*	12-21
*	13-23
*	15- 5
*	19-10
*	19-28
*	22-21
*	22-44
*	25- 5
*	26- 6
PEDAL, brake	28- 1
PIN	28-12
PIN, clevis	28- 8
*	28-23
*	28-27
PIN, cotter	28-10
*	28-24
*	28-28
PIN, crank 1	2- 6
*	32-29
PIN, dowel	4- 6
*	4-11
*	9- 6
*	10- 6
*	15- 4
*	20-13
*	20-33
PIN, float	7- 5

PARTS NAME INDEX

DESCRIPTION	REF. NO.
PIN, Piston	2- 9
*	32- 4
*	32- 9
*	32-14
*	32-19
*	32-24
PIN, straight	14- 8
PIPE	7-13
PIPE 1	5- 5
PIPE 2	5- 6
PIPE, breather	5- 3
PIPE, choke	8- 6
PISTON (STD)	2- 8
*	2- 8
*	32- 2
PISTON (1ST O/S 0.25MM)	2- 8
*	32- 7
PISTON (2ND O/S 0.50MM)	2- 8
*	32-12
PISTON (3RD O/S 0.75MM)	2- 8
*	32-17
PISTON (4TH O/S 1.00MM)	2- 8
*	32-22
PISTON ASSY (STD)	32- 1
PISTON ASSY (1ST O/S)	32- 6
PISTON ASSY (2ND O/S)	32-11
PISTON ASSY (3RD O/S)	32-16
PISTON ASSY (4TH O/S)	32-21
PISTON RING SET (STD)	2-10
*	32- 3
PISTON RING SET (1ST O/S)	2-10
*	32- 8
PISTON RING SET (2ND O/S)	2-10
*	32-13
PISTON RING SET (3RD O/S)	2-10
*	32-18
PISTON RING SET (4TH O/S)	2-10
*	32-23
PLATE	9- 9
PLATE 1	17- 3
PLATE, bearing cover	13- 7
PLATE, brake shoe	25- 7
*	26- 8
PLATE, clutch 1	12- 9
PLATE, element fitting	6-26
PLATE, friction	12-10
PLATE, number	21-16

PARTS NAME INDEX

DESCRIPTION	REF. NO.
PLATE, Pressure 1	12- 8
PLATE, thrust 1	12-13
PLUG	9- 8
PLUG CAP ASSY	29- 3
PLUG, drain	22-15
*	22-38
PLUG, oil	10- 8
PLUG, screw	7- 8
PLUG, sPark (CHAMPION N-84)	1- 3
PLUG, sPark (CHAMPION QN-84)	1- 3
PLUG, straight screw	9-11
PLUNGER, starter	7-23
PRIMARY DRIVEN GEAR COMP.	12- 6
PROTECTOR	18-18
PROTECTOR, muffler 1	8- 2
PULLER, chain 1	26-28
PUSH LEVER ASSY	12-24
RACE, ball 1	21- 1
*	21- 6
RACE, ball 2	21- 4
*	21- 7
RADIATOR ASSY	5- 1
REAR ARM COMP.	19- 1
REED VALVE ASSY	6- 1
REED, valve	6- 2
RIM (1.40-17)	25-17
*	25-17
RIM (1.60-14)	26-19
*	26-19
RING, Piston	22- 8
*	22-31
RING, snaP	22-22
*	22-45
RIVET, blind	6-20
RDD, brake	28- 7
RDD, connectinG	2- 4
*	32-27
RDD, connectinG 1	19-33
RDD, Push	20- 5
*	20-25
RDD, Push 1	12-17
RDD, Push 2	12-18
ROTOR ASSY	3- 2
SCREW	23-24
SCREW, bind	8- 3
SCREW, flat head	12-12
*	13- 8
SCREW, lever fitting	23-22

PARTS NAME INDEX

DESCRIPTION	REF. NO.
SCREW, oval head	27- 9
SCREW, Pan head	3- 5
*	3- 9
*	3-12
*	4-14
*	4-15
*	5- 9
*	7-14
*	9- 2
*	9- 3
*	9-10
*	10- 3
*	10- 7
*	10-10
*	17- 6
*	18- 5
*	18-11
*	20- 4
*	20-24
*	21-20
*	23-26
*	27-10
*	29- 2
*	30- 7
*	30-15
SCREW, Pan head with washer	6- 4
SCREW, with washer	18-17
*	18-19
*	21-18
SEAL	6-15
*	6-17
SEAL, dust	20- 6
*	20-26
*	22-11
*	22-34
SEAL, Guard	19-12
*	19-13
SEAL, housinG	20- 7
*	20-27
SEAL, Pipe 1	5-11
SEAL, steering	21- 2
SEAT, sPrinG lower	20-19
*	20-39
SEAT, sPrinG upper	20-15
*	20-35
*	22-10
*	22-33
SEMI-DOUBLE SEAT ASSY	24- 1

PARTS NAME INDEX

DESCRIPTION	REF. NO.
SHAFT, Pivot	19- 3
SHIFT CAM ASSY	14- 1
SHIFT PEDAL ASSY	15- 6
SHIFT SHAFT ASSY	15- 1
SHIM	19-11
SHIM 1 (0.6T)	13-17
SHOCK ABSORBER ASSY, rear	20- 1
*	20-21
SILENCER, exhaust	8-12
*	8-12
SPACER	22-23
*	22-46
*	25- 2
SPACER, bead	25-19
*	26-21
SPACER, bearing	26- 3
SPINDLE, taPer	22- 4
*	22-27
SPOKE SET, front	25-18
SPOKE SET, rear	26-20
SPRING	20-17
*	20-37
SPRING (K=3.6)	31- 1
SPRING, compResion	6-18
*	11-14
*	12-11
*	28-11
SPRING, front fork	22- 9
*	22-32
SPRING, front fork (K=0.24)	31- 2
SPRING, rebound	22- 7
*	22-30
SPRING, tension	8- 7
*	25- 9
*	26-10
*	28-19
SPRING, throttle valve	7-20
SPRING, torsion	11- 5
*	12-23
*	14- 3
*	15- 3
*	28- 4
*	28-22
*	28-29
SPROCKET, drive (12T)	13-24
SPROCKET, drive (13T)	13-24
SPROCKET, drive (14T)	13-24
SPROCKET, driven (40T)	26-22

PARTS NAME INDEX

DESCRIPTION	REF. NO.
SPROCKET, driven (42T)	26-22
SPROCKET, driven (44T)	26-22
SPROCKET, driven (46T)	26-22
STAND, side	28-14
STATOR ASSY	3- 3
STAY, fuel tank 2	23- 7
STAY, muffler 1	8- 8
STOPPER LEVER ASSY	14- 2
STOPPER, reed valve	6- 3
SUPPORT, bump stop	20-10
*	20-30
SUPPORT, chain	19-14
SWITCH, handle 1	30-17
TENSIONER	16- 6
THROTTLE SCREW SET	7-12
TIRE (2.75-17)	25-14
TIRE (4.10-14)	26-16
TOOL KIT	16-14
TOP, mixing chamber	7-22
TUBE (2.75-17)	25-15
TUBE (4.10-14)	26-17
TUBE, outer 1	22- 2
TUBE, outer 2	22-25
TUBE, throttle guide	27- 3
UNDER BRACKET COMP.	22-47
UPPER BRACKET SUB ASSY	20-11
*	20-31
VALVE, throttle 1	7-19
WASHER	2- 7
*	16- 9
*	17- 4
*	26-23
*	32-30
WASHER 1	11- 9
WASHER, conical spring	12- 4
*	12-15
WASHER, main jet	7-18
WASHER, oil seal	22-20
*	22-43
WASHER, plain	6-21
*	16- 4
*	28- 9
WASHER, plate	1-10
*	3- 7
*	3-11
*	3-14
*	4- 5
*	4- 8
*	5-12

PARTS NAME INDEX

DESCRIPTION	REF. NO.
WASHER, plate	6- 8
*	6-14
*	6-35
*	8- 4
*	8-11
*	11- 4
*	11-15
*	12-14
*	12-22
*	16- 7
*	17- 8
*	17- 9
*	18- 7
*	18-13
*	19-23
*	19-31
*	19-39
*	20-42
*	20-47
*	23- 4
*	23-12
*	23-23
*	25-24
*	26-15
*	28- 6
*	28-17
*	28-31
*	30- 4
*	30-12
WASHER, spring	3- 6
*	3-10
*	3-13
*	6-29
*	6-34
*	7-15
*	8-10
*	16-12
*	17- 7
*	18- 6
*	18-12
*	19- 5
*	21-21
*	22-49
*	23- 6
*	23- 9
*	23-14
*	23-27
*	30- 8

PARTS NAME INDEX

DESCRIPTION	REF. NO.
WASHER, spring	30-16
WIRE, earth lead	30-19

