



**YAMAHA**

**PARTS CATALOGUE**

**YZ80 (58T)**

1558T-664E1

**A2**



A3

# FOREWORD

This Parts Catalogue is related to the parts in use for the Yamaha YZ 80 (58T).  
When you are ordering replacement parts for the YZ 80 (58T), refer to this Parts Catalogue and quote both part numbers and part names correctly.

1. Modifications or additions which have been made after issue of the Parts Catalogue will be announced in the Yamaha Parts News.  
It is advisable that according to the Yamaha Parts News you make necessary corrections to the Parts Catalogue on hand to keep it up-to-date.

2. Abbreviations

The following abbreviations are used in this Parts Catalogue.

- U.R. Use size (thickness) and/or number as required.
- U.N. Use as many as you need.
- A.P. Alternate Parts
- L.M. Local Made
- F# Frame No. (Applicable machine No.)

3. The parts marked with (\*) in the parts number column of this Catalogue are not supplied with by Yamaha, those have to be found locally.
4. Parts, which are to be supplied in the form of assemblies, are listed with an indention of one letter's space, and a dot ( . ) is put against the name of each part.

**EXAMPLE** CARBURETOR ASS'Y  
     . JET, pilot  
     . NOZZLE, main

5. Indication of No. of constituent parts for assembly

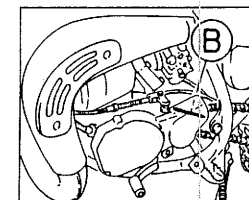
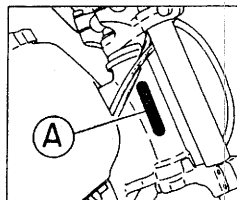
The numeral appearing to the right of each constituent part under the description indicates the quantity of such parts for each individual assembly unit.

**EXAMPLE**

Part No.	Description	Q'ty	Remarks
2F5-83310-60	FRONT FLASHER LIGHT ASS'Y	2	
115-83311-60	. BULB (6V-18W)	1	
1M1-83309-60	. REFLECTOR	1	

6. Initial Serial No. and Color Code

(A) Frame Serial No.	58T-000101 and following
(B) Engine Serial No.	58T-000101 and following



Color Code	Color Name	Abbreviate
36	Clean White	W

7. Applicable colors of graphics are represented in the "Remarks" column by the letter(s) appropriately picked out of the full word(s) showing such colors.

**EXAMPLE**

Part No.	Description	Q'ty	Remarks
2N4-24110-00-X5	FUEL TANK COMP.	1	MAXIM RED
3J1-24240-10	. GRAPHIC, fuel tank set	1	for MXR

# CONTENTS

## ENGINE

Cylinder Head .....	B2
Crankshaft · Piston .....	B3
Water Pump .....	B4
Radiator · Hose .....	B5
Intake .....	B6 ~ B7
Carburetor .....	B8 ~ B9
Exhaust .....	B10
Crankcase .....	B11
Crankcase Cover 1 .....	B12
Starter .....	B13
Clutch .....	B14
Transmission .....	B15
Shift Cam · Fork .....	C2
Shift Shaft .....	C3

## CHASSIS

Frame .....	C4
Fender .....	C5
Side Cover .....	C6
Rear Arm .....	C7 ~ C8
Rear Suspension .....	C9 ~ C10
Steering .....	C11
Front Fork .....	C12 ~ C13
Fuel Tank .....	C14
Seat .....	C15
Front Wheel .....	D2
Rear Wheel .....	D3 ~ D4
Steering Handle · Cable .....	D5
Stand · Footrest .....	D6 ~ D7

Generator .....	D8
Handle Switch · Lever .....	D9
Electrical 1 .....	D10

## ALTERNATE PARTS

Alternate 1 (Chassis) .....	D11
-----------------------------	-----

## REPAIR KIT

Repair Kit .....	D12
------------------	-----

## INDEX

Numerical Index .....	M1 ~ M3
-----------------------	---------

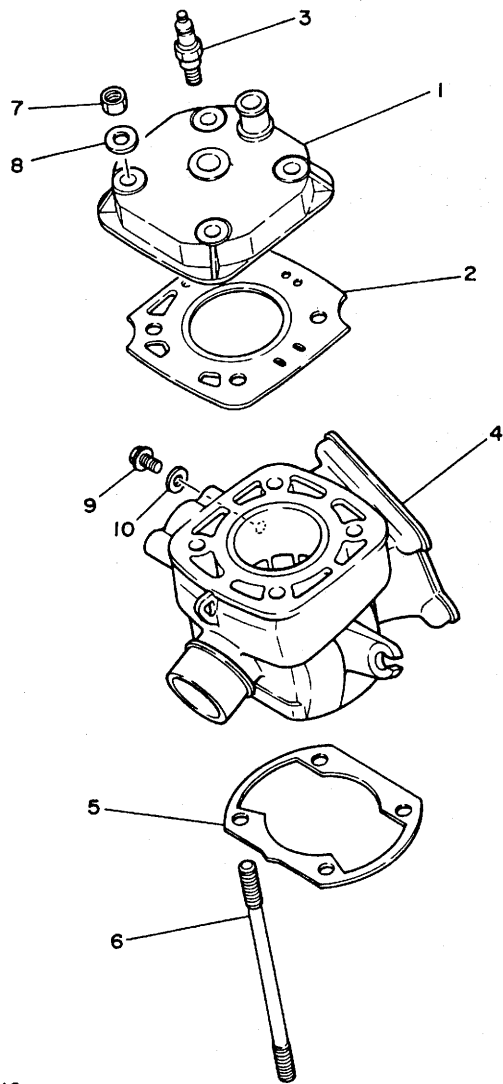


FIG. 1 CYLINDER

REF. NO.	PART NO.	DESCRIPTION	Q'TY	REMARKS
1	58T-11111-00	HEAD, cylinder 1	1	
2	58T-11181-00	GASKET, cylinder head 1	1	
3	*	PLUG, spark (CHAMPION QN-86)	1	LM
4	58T-11311-00	CYLINDER 1	1	
5	4V0-11351-00	GASKET, cylinder	1	
6	90116-08438	BOLT, stud	4	
7	95311-08600	NUT	4	
8	90201-08649	WASHER, plate	4	
9	90153-06045	SCREW, hexagon	1	
10	90430-06166	GASKET	1	



58T100-5010

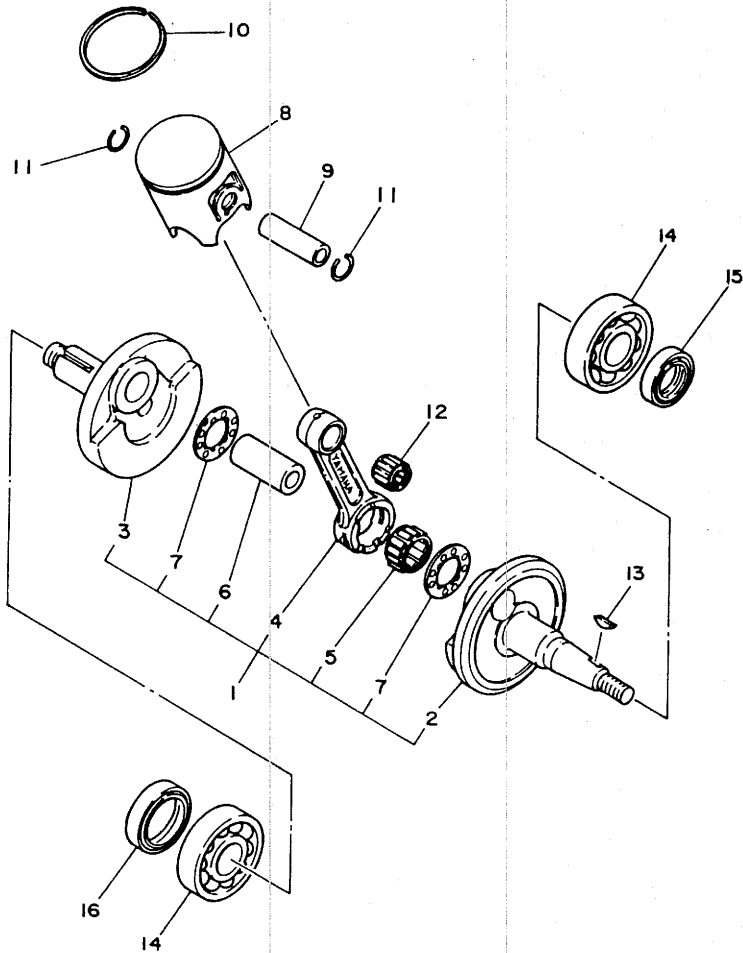


FIG. 2 CRANKSHAFT. PISTON

REF. NO.	PART NO.	DESCRIPTION	Q'TY	REMARKS
1	39K-11400-00	CRANKSHAFT ASSY	1	
2	39K-11412-00	.CRANK 1	1	
3	39K-11422-00	.CRANK 2	1	
4	39K-11651-00	.ROD, connecting	1	
5	93310-418M6	.BEARING, cylindrical	1	
6	4V0-11681-00	.PIN, crank 1	1	
7	90209-18112	.WASHER	2	
8	58T-11631-00-94	PISTON (STD)	1	UR
	58T-11631-00-95	PISTON (STD)	1	UR
	58T-11635-00	PISTON (0.25MM O/S)	1	AP
	58T-11636-00	PISTON (0.50MM O/S)	1	AP
9	4V1-11633-00	PIN, piston	1	
10	39K-11611-00	RING, piston	1	
	39K-11611-10	RING, piston	1	AP
	39K-11611-20	RING, piston	1	AP
11	5X2-11634-00	CLIP, piston pin	2	
12	93310-312M5	BEARING, cylindrical	1	
13	90280-03017	KEY, woodruff	1	
14	93306-20438	BEARING	2	
15	93102-20231	OIL SEAL	1	
16	93103-28126	OIL SEAL	1	

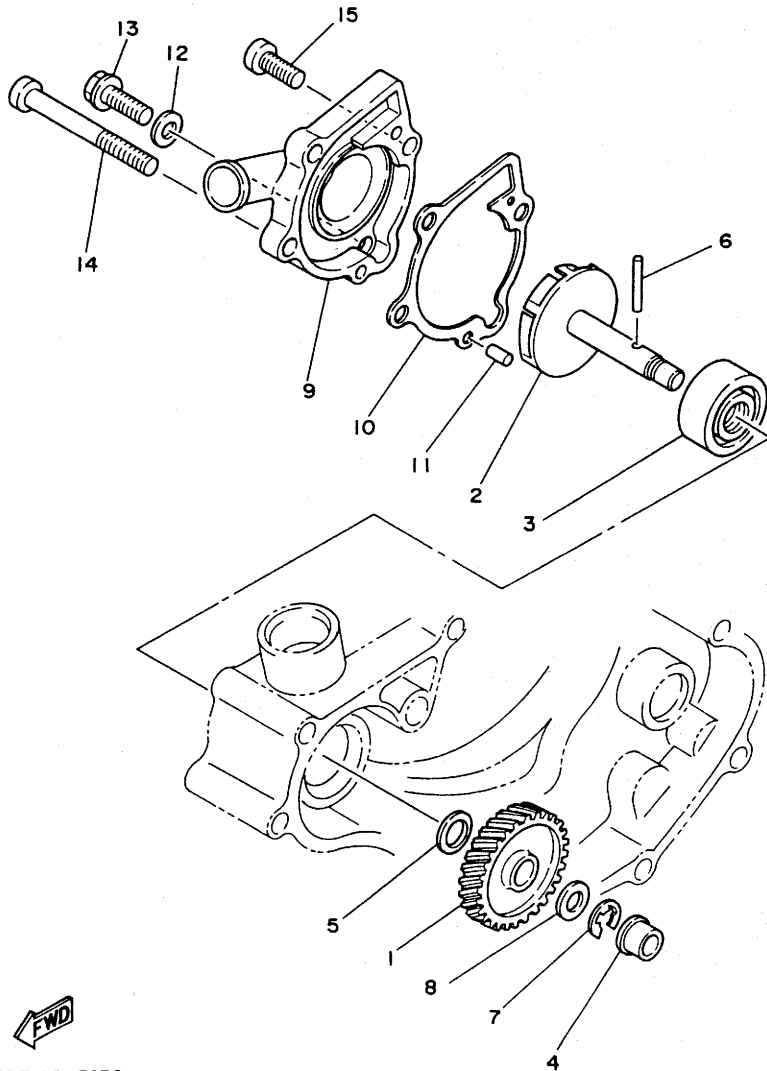


22W100-3020

B3

FIG. 3 WATER PUMP

REF. NO.	PART NO.	DESCRIPTION	Q'TY	REMARKS
1	5X2-12459-01	GEAR, impeller shaft	1	
2	22W-12450-00	IMPELLER SHAFT ASSY	1	
3	93103-10113	OIL SEAL	1	
4	90381-08002	BUSH, solid	1	
5	90201-10614	WASHER, plate	1	
6	93603-22028	PIN, dowel	1	
7	99001-07600	CIRCLIP	1	
8	90201-08085	WASHER, plate	1	
9	39K-12422-00	COVER, housing	1	
10	5X2-12428-00	GASKET, housing cover 2	1	
11	93604-10011	PIN, dowel	2	
12	90430-06166	GASKET	1	
13	95826-06020	BOLT, flange	1	
14	92506-06060	SCREW, pan head	2	
15	92506-06020	SCREW, pan head	1	

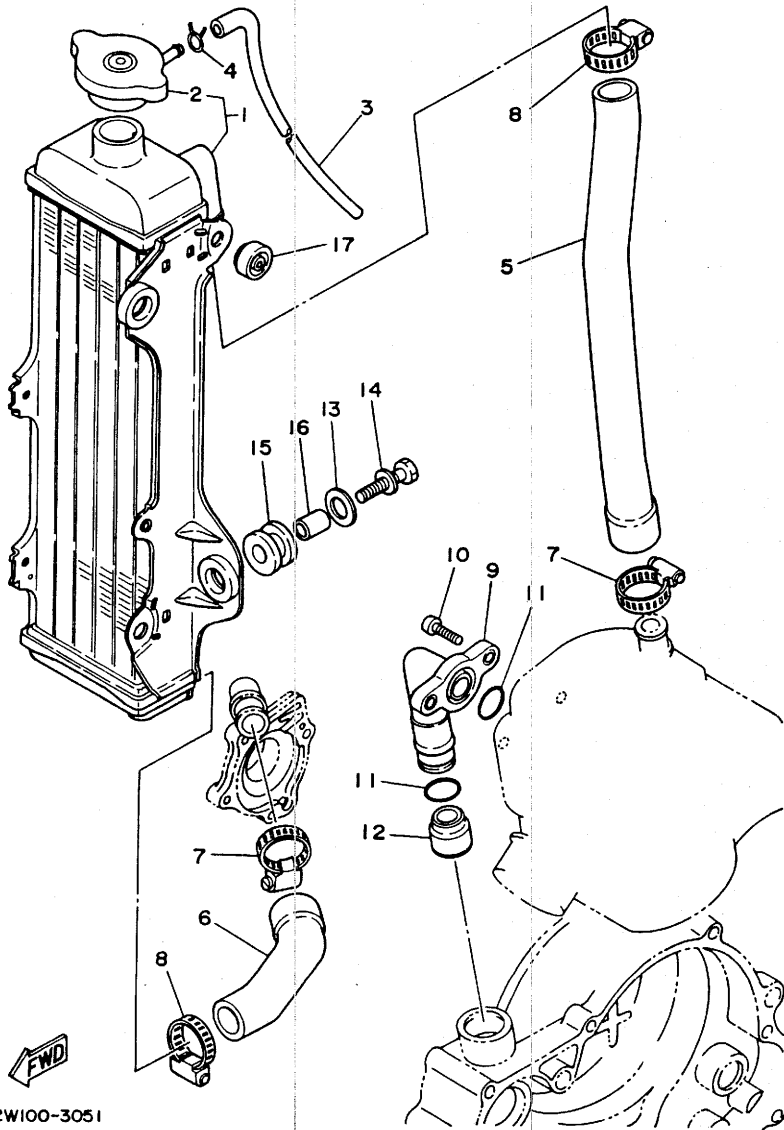


58T100-5030

**B4**

FIG. 4 RADIATOR. HOSE

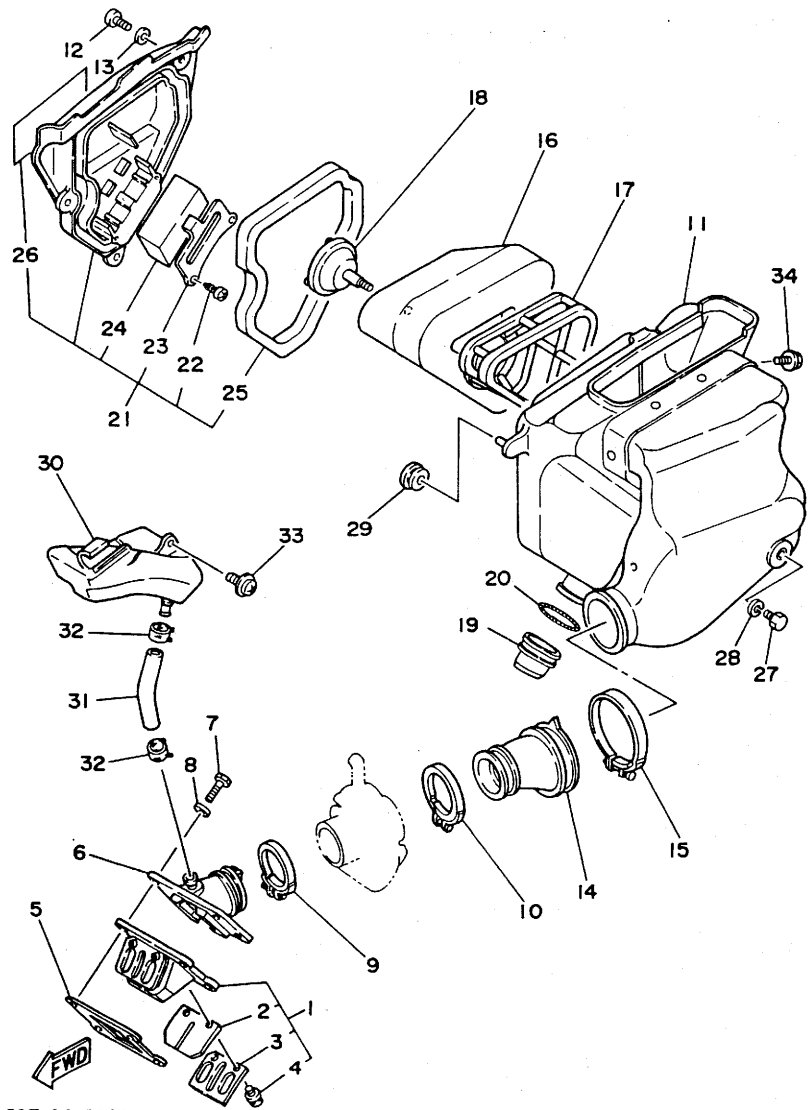
REF. NO.	PART NO.	DESCRIPTION	Q'TY	REMARKS
1	39K-12460-00	RADIATOR ASSY	1	
2	22W-12462-00	.CAP, radiator	1	
3	22W-12463-00	PIPE, breather	1	
4	90467-08004	CLIP	1	
5	39K-12481-00	PIPE 1	1	
6	39K-12482-00	PIPE 2	1	
7	90460-31253	CLAMP, hose	2	
8	90460-22252	CLAMP, hose	2	
9	39K-12446-00	JOINT	1	
10	92506-06016	SCREW, pan head	2	
11	93210-16275	O-RING	2	
12	4V2-12494-00	SEAL, pipe 1	1	
13	90201-06570	WASHER, plate	2	
14	90119-06080	BOLT, with washer	2	
15	90480-15064	GROMMET	2	
16	90387-07392	COLLAR	2	
17	22W-24181-00	DAMPER, locating 1	2	



22W100-3051

**B5**





58T100-5050

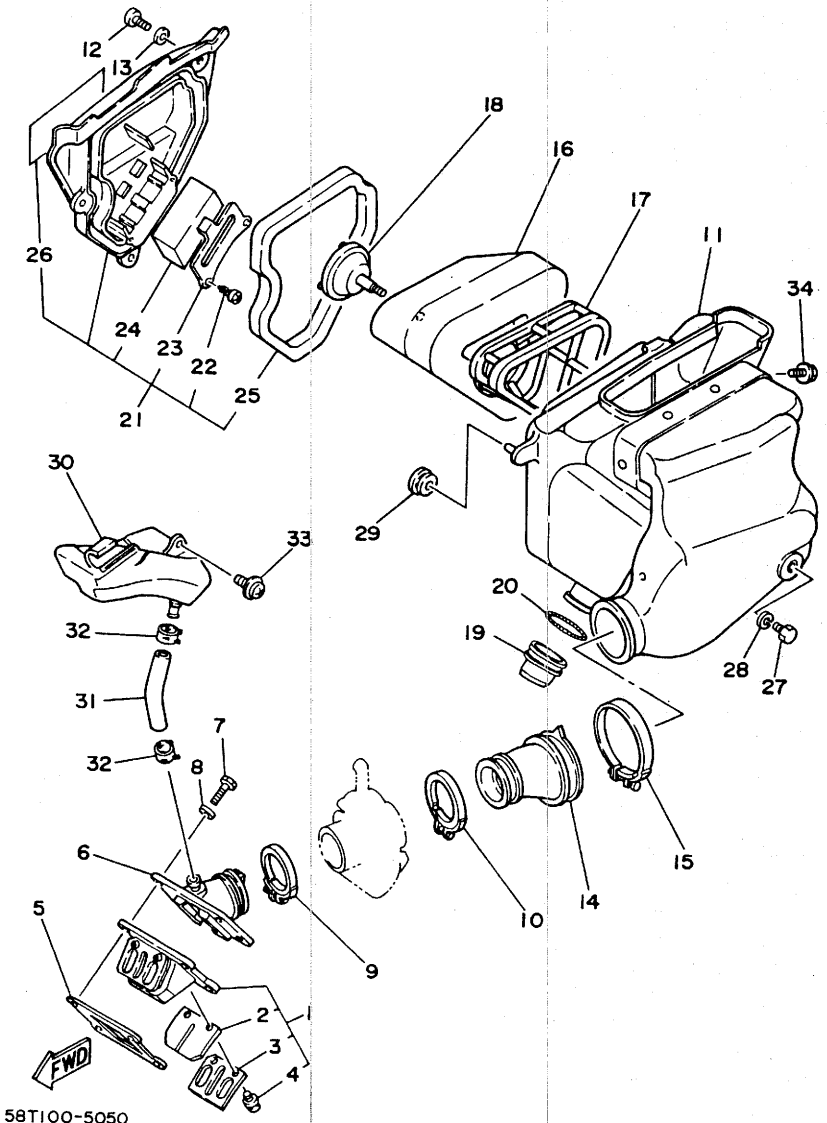
FIG. 5 INTAKE

REF. NO.	PART NO.	DESCRIPTION	Q'TY	REMARKS
1	58T-13610-00	REED VALVE ASSY	1	
2	58T-13613-00	.REED, valve	2	
3	58T-13616-00	.STOPPER, reed valve	2	
4	97602-03108	.SCREW, pan head with washer	4	
5	39K-13621-00	GASKET, valve seat	1	
6	5X2-13565-00	JOINT, carburetor	1	
7	97301-06025	BOLT	4	
8	90201-061A5	WASHER, plate	4	
9	90460-43053	CLAMP, hose	1	
10	90460-51059	CLAMP, hose	1	
11	39K-14401-01	AIR CLEANER CASE ASSY	1	
12	92506-06016	SCREW, pan head	3	
13	92906-06600	WASHER, plate	3	
14	39K-14453-00	JOINT, air cleaner 1	1	
15	90460-58015	CLAMP, hose	1	
16	39K-14451-00	ELEMENT, air cleaner	1	
17	39K-14458-00	GUIDE	1	
18	4V2-14468-02	PLATE, element fitting	1	
19	39K-14457-00	SEAL	1	
20	90504-03033	SPRING, compression	1	
21	43K-14402-00	CAP ASSY, air cleaner	1	clean white
22	97702-40116	.SCREW, tapping	2	
23	5X5-1441L-00	.PANEL 1	1	
24	39K-14467-00	.SEAL	1	
25	39K-14452-00	.SEAL	1	
26	39K-21781-10	.EMBLEM 1	1	
27	97301-06012	BOLT	1	
28	92901-06100	WASHER, spring	1	

**B6**

FIG. 5 INTAKE

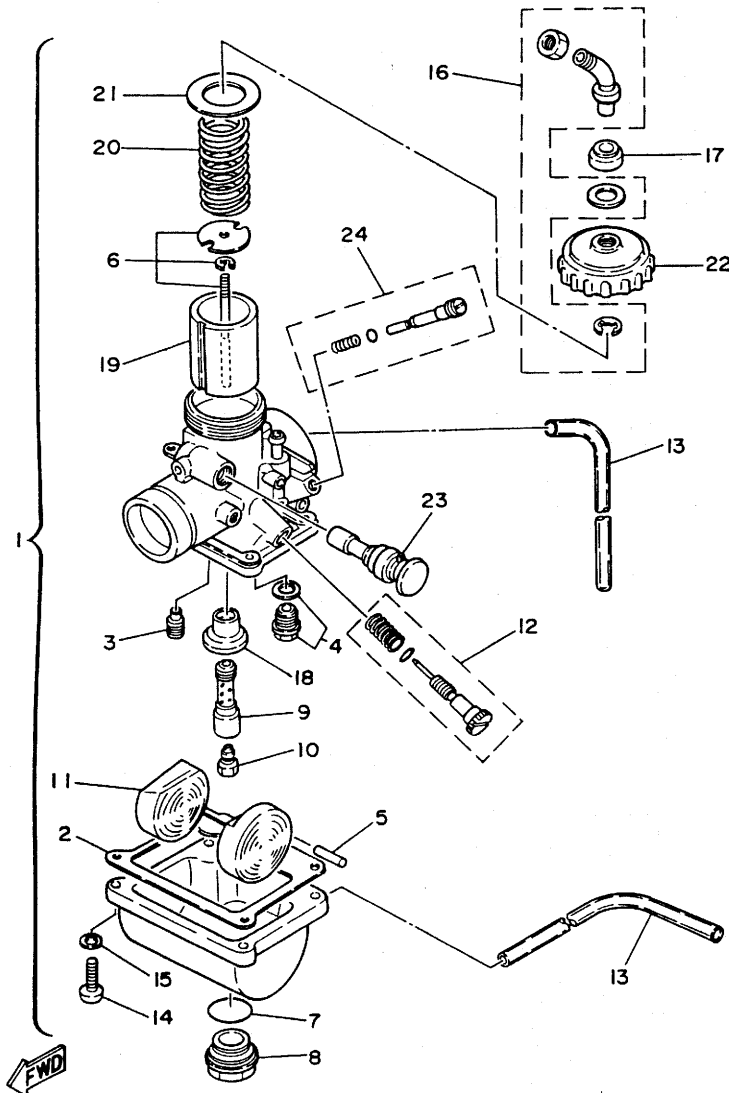
REF. NO.	PART NO.	DESCRIPTION	Q'TY	REMARKS
29	90480-13197	GROMMET	1	
30	22W-13581-00	CHAMBER, air	1	
31	90445-16673	HOSE	1	
32	90467-16063	CLIP	2	
33	90159-06033	SCREW, with washer	1	
34	90119-06085	BOLT, with washer	1	



58T100-5050

**B7**

FIG. 6 CARBURETOR



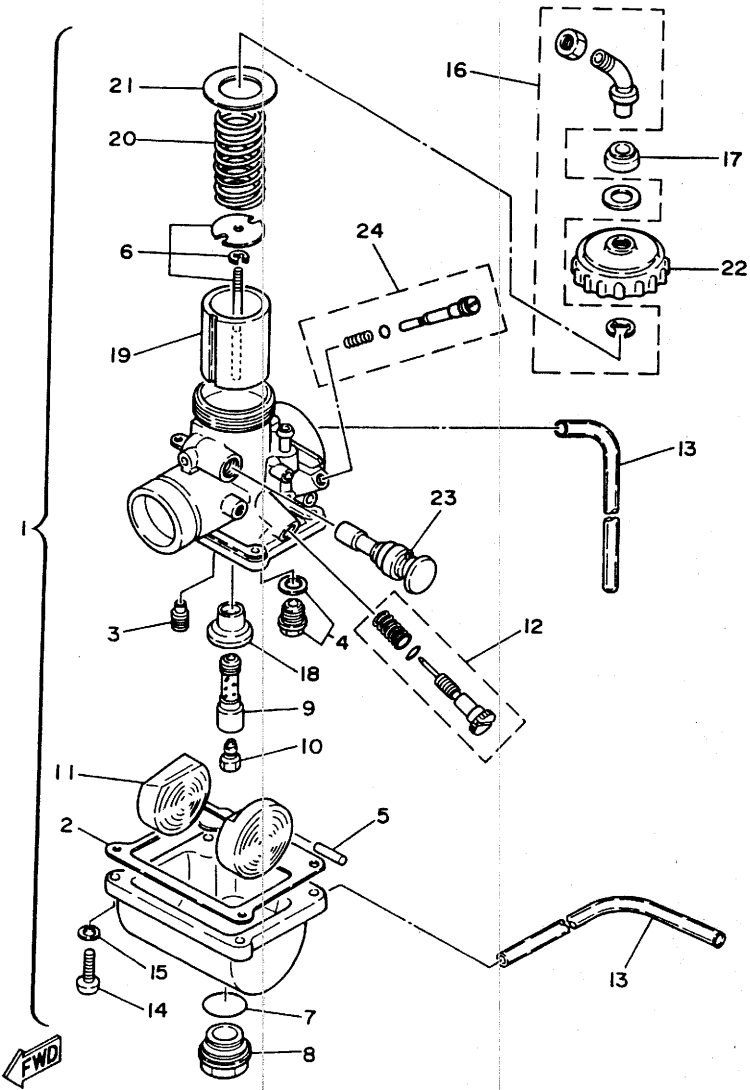
REF. NO.	PART NO.	DESCRIPTION	QTY	REMARKS
1	58T-14101-00	CARBURETOR ASSY 1	1	
2	304-14184-00	.GASKET, float chamber	1	
3	260-14142-35	.JET, pilot (# 35)	1	
	260-14142-30	.JET, pilot (# 30)	1	AP
	260-14142-40	.JET, pilot (# 40)	1	AP
4	23L-14107-25	.NEEDLE VALVE SET	1	
5	127-14186-00	.PIN, float	1	
6	22W-1490J-00	.NEEDLE SET	1	
7	93210-18288	.O-RING	1	
8	3R1-14115-00	.PLUG, screw	1	
9	3R1-14141-52	.NOZZLE, main	1	
	3R1-14141-50	.NOZZLE, main	1	AP
	3R1-14141-54	.NOZZLE, main	1	AP
10	137-14143-54	.JET, main (#270)	1	
	137-14143-52	.JET, main (#260)	1	AP
	137-14143-56	.JET, main (#280)	1	AP
	137-14143-58	.JET, main (#290)	1	AP
11	314-14185-00	.FLOAT	1	
12	10W-14103-00	.THROTTLE SCREW SET	1	
13	183-14196-00	.PIPE	2	
14	98511-04016	.SCREW, pan head	4	
15	92902-04100	.WASHER, spring	4	
16	22W-14106-00	.CABLE ADJUST SCREW SET	1	
17	3X3-14169-00	.CAP	1	
18	3R1-14153-00	.WASHER, main jet	1	
19	2X6-14112-30	.VALVE, throttle 1	1	
	2X6-14112-25	.VALVE, throttle 1	1	AP
	2X6-14112-35	.VALVE, throttle 1	1	AP

22W100-3070

**B8**

FIG. 6 CARBURETOR

REF. NO.	PART NO.	DESCRIPTION	Q'TY	REMARKS
20	248-14131-00	.SPRING, throttle valve	1	
21	2A6-14126-00	.GASKET	1	
22	2A6-14158-00	.TOP, mixing chamber	1	
23	4U5-14171-00	.PLUNGER, starter	1	
24	10W-14104-00	.AIR SCREW SET	1	

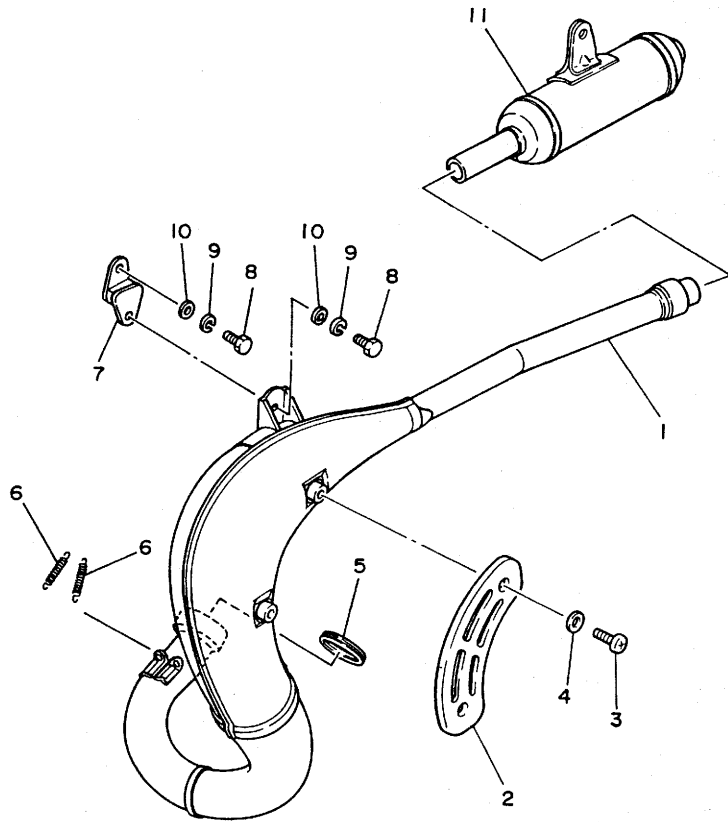


22W100-3070

**B9**

FIG. 7 EXHAUST

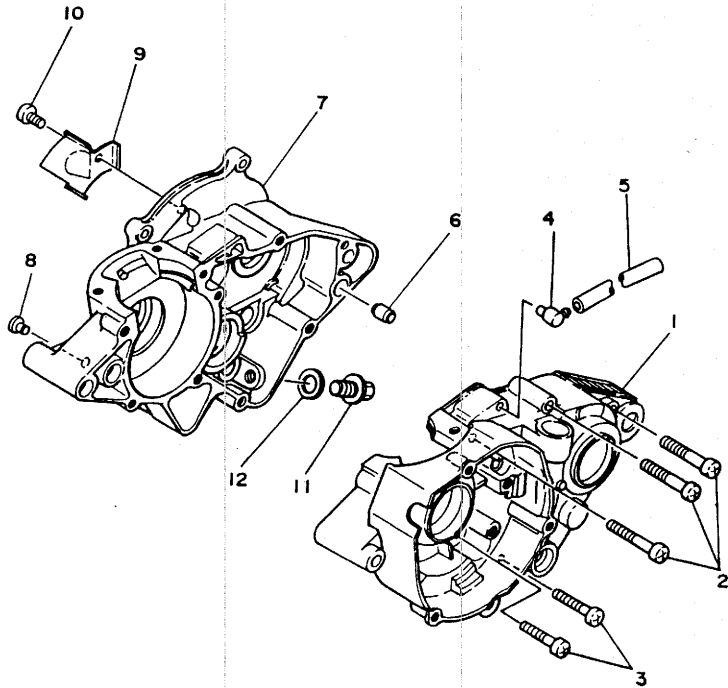
REF. NO.	PART NO.	DESCRIPTION	Q'TY	REMARKS
1	58T-14610-00	EXHAUST PIPE ASSY 1	1	
2	39K-14718-00	PROTECTOR, muffler 1	1	
3	98906-06008	SCREW, bind	2	
4	90202-06010	WASHER, plate	2	
5	22W-14613-00	GASKET, exhaust pipe	1	
6	90507-20030	SPRING, tension	2	
7	565-14771-00	STAY, muffler 1	1	
8	97301-06016	BOLT	2	
9	92901-06100	WASHER, spring	2	
10	90201-061A5	WASHER, plate	2	
11	58T-14753-00	SILENCER, exhaust	1	



58T100-5070

**B10**

FIG. 8 CRANKCASE



REF. NO.	PART NO.	DESCRIPTION	Q'TY	REMARKS
1	39K-15111-00	CRANKCASE 1	1	
2	92501-06045	SCREW, pan head	6	
3	92501-06035	SCREW, pan head	3	
4	353-13115-01	CONNECTOR, suction pipe	1	
5	90445-08376	HOSE	1	
6	91830-22016	PIN, dowel	2	
7	39K-15121-00	CRANKCASE 2	1	
8	90338-07011	PLUG	1	
9	5X2-15113-00	PLATE	1	
10	92501-06012	SCREW, pan head	1	
11	90340-12095	PLUG, straight screw	1	
12	90430-12038	GASKET	1	

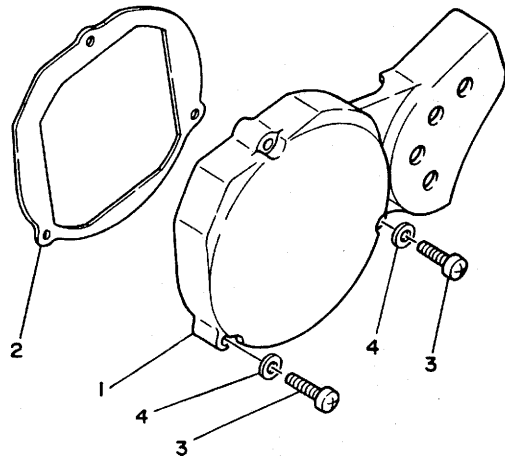
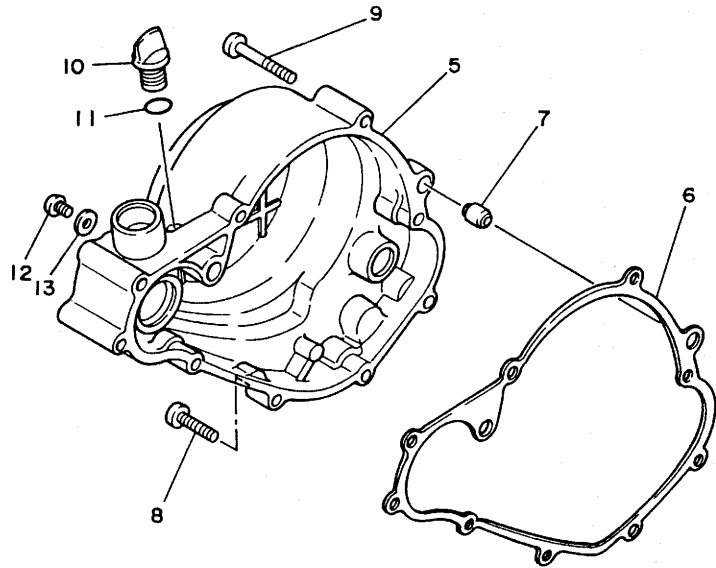


22W100-3090

**B11**

FIG. 9 CRANKCASE COVER 1

REF. NO.	PART NO.	DESCRIPTION	Q'TY	REMARKS
1	58T-15411-00	COVER, crankcase 1	1	
2	22W-15451-00	GASKET, crankcase cover 1	1	
3	92506-06030	SCREW, pan head	3	
4	92906-06600	WASHER, plate	3	
5	22W-15421-01	COVER, crankcase 2	1	
6	5X2-15462-00	GASKET, crankcase cover 3	1	
7	91830-21014	PIN, dowel	2	
8	92506-06025	SCREW, pan head	6	
9	92506-06040	SCREW, pan head	1	
10	4J2-15363-00	PLUG, oil	1	
11	93210-14104	O-RING	1	
12	92506-06008	SCREW, pan head	1	
13	90430-06016	GASKET	1	

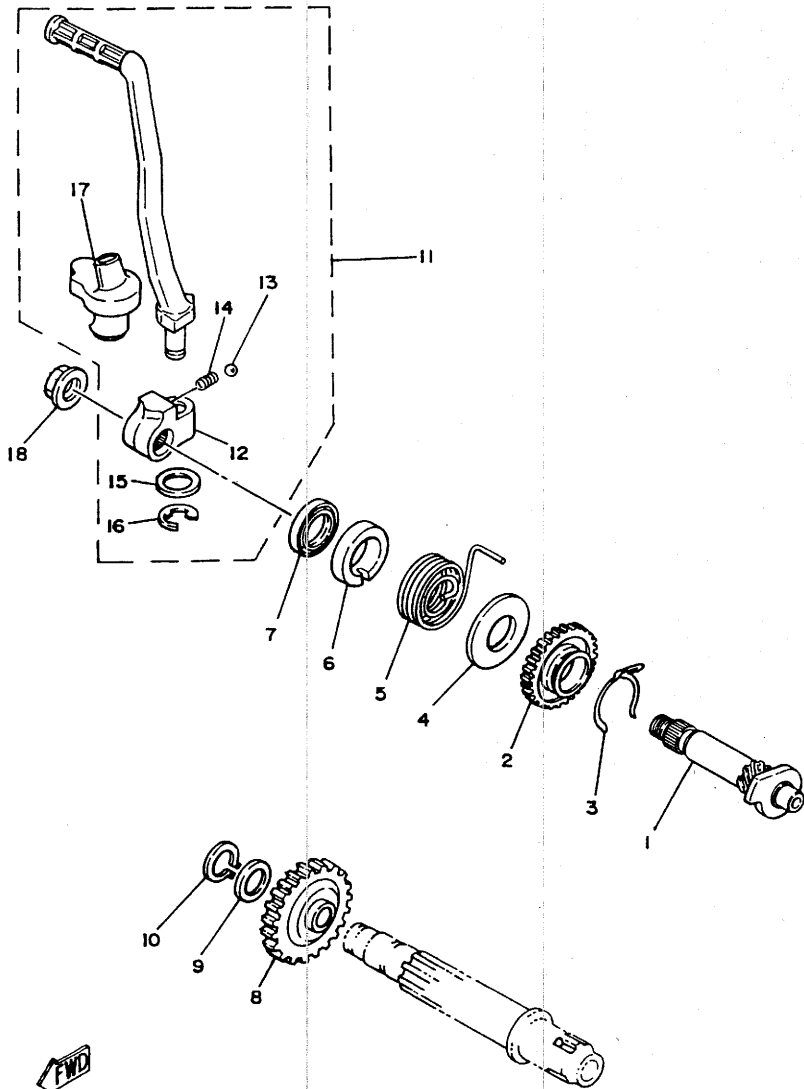


58T100-5090

**B12**

FIG. 10 STARTER

REF. NO.	PART NO.	DESCRIPTION	Q'TY	REMARKS
1	22W-15660-00	KICK AXLE ASSY	1	
2	58T-15641-00	GEAR, kick (25T)	1	
3	90468-26046	CLIP	1	
4	90201-154A1	WASHER, plate	1	
5	90508-26464	SPRING, torsion	1	
6	4V0-15664-00	GUIDE, spring	1	
7	93109-15001	OIL SEAL	1	
8	4V0-15651-00	GEAR, sprocket idle (25T)	1	
9	102-18137-00-10	WASHER 1	1	
10	93410-12003	CIRCLIP	1	
11	22W-15620-00	KICK CRANK ASSY	1	
12	4V0-15621-00	.BOSS, kick crank	1	
13	93507-32009	.BALL	1	
14	90501-12081	.SPRING, compression	1	
15	90201-12631	.WASHER, plate	1	
16	93430-08007	.CIRCLIP	1	
17	4V0-15618-00	.COVER, kick lever	1	
18	95702-10500	NUT, flange	1	



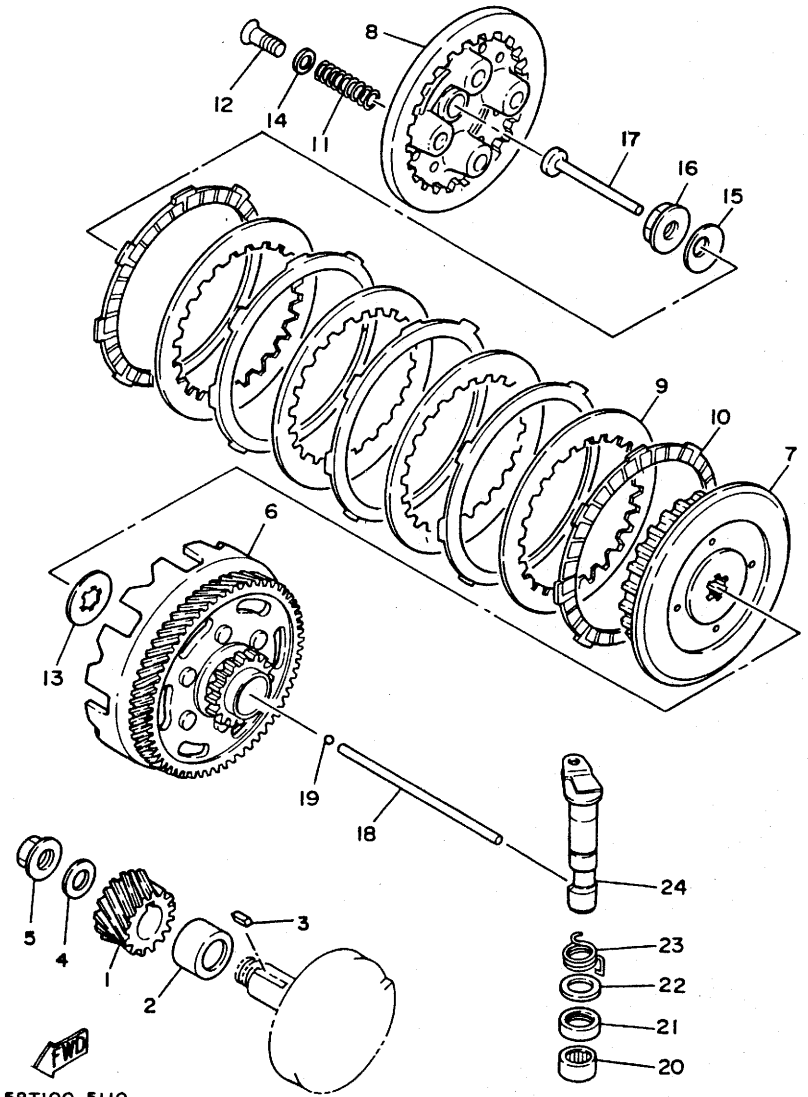
  
22W100-3110

**B13**



FIG. 11 CLUTCH

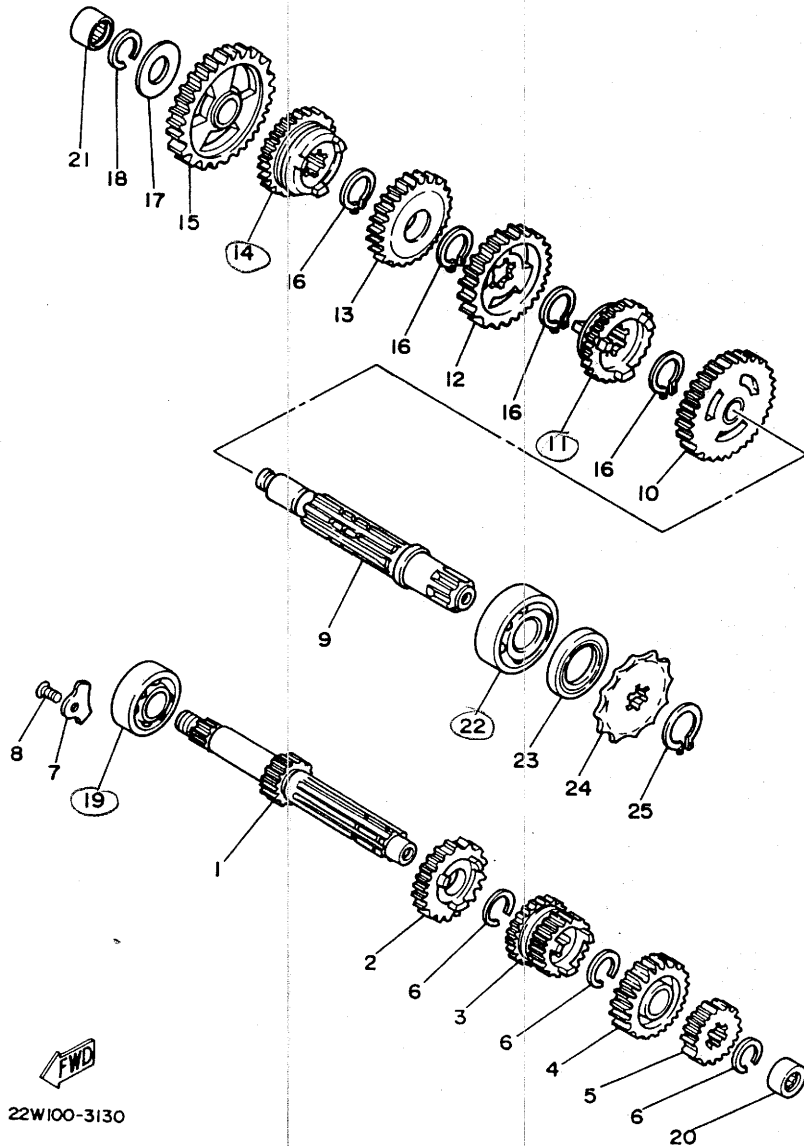
REF. NO.	PART NO.	DESCRIPTION	Q'TY	REMARKS
1	5X2-16111-00	GEAR, primary drive	1	
2	90387-20163	COLLAR	1	
3	90282-05001	KEY, straight	1	
4	90208-12015	WASHER, conical spring	1	
5	90179-12335	NUT	1	
6	4V1-16150-01	PRIMARY DRIVEN GEAR COMP.	1	
7	1V1-16371-02	BOSS, clutch	1	
8	4Y2-16351-01	PLATE, pressure 1	1	
9	598-16324-00	PLATE, clutch 1	4	
10	21V-16321-00	PLATE, friction	5	
11	90501-204A0	SPRING, compression	4	
12	98701-05020	SCREW, flat head	4	
13	4V0-16154-00	PLATE, thrust 1	1	
14	90201-05775	WASHER, plate	4	
15	90208-12015	WASHER, conical spring	1	
16	90179-12244	NUT	1	
17	137-16356-00	ROD, push 1	1	
18	2X3-16357-00	ROD, push 2	1	
19	93503-16010	BALL	1	
20	93315-21429	BEARING, cylindrical	1	
21	93109-14021	OIL SEAL	1	
22	90201-14411	WASHER, plate	1	
23	90508-18463	SPRING, torsion	1	
24	58T-16382-00	AXLE, push lever	1	



58T100-5110

**B14**

FIG. 12 TRANSMISSION

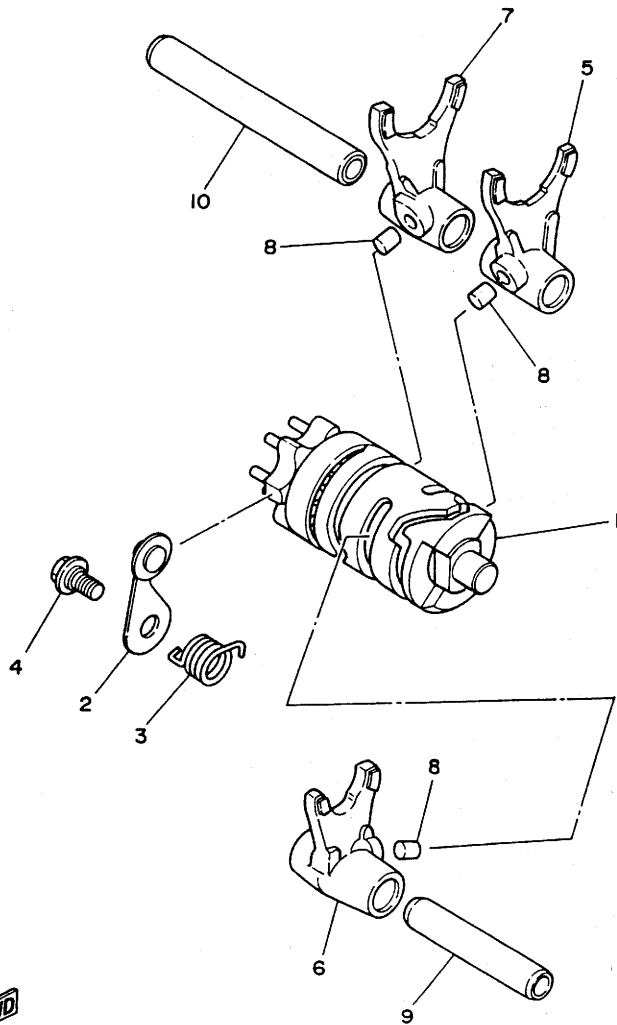


REF. NO.	PART NO.	DESCRIPTION	Q'TY	REMARKS
1	4V0-17411-01	AXLE, main	1	
2	39K-17151-01	GEAR, 5th pinion (22T)	1	
3	39K-17131-00	GEAR, 3rd pinion (16T/19T)	1	
4	39K-17161-01	GEAR, 6th pinion (23T)	1	
5	4V0-17121-00	GEAR, 2nd pinion (16T)	1	
6	93440-16089	CIRCLIP	3	
7	3R4-15383-01	PLATE, bearing cover	2	
8	92701-06012	SCREW, flat head	2	
9	22W-17421-00	AXLE, drive	1	
10	39K-17221-00	GEAR, 2nd wheel (33T)	1	
11	39K-17261-01	GEAR, 6th wheel (26T)	1	LF18K
12	4V0-17231-00	GEAR, 3rd wheel (31T)	1	
13	39K-17241-00	GEAR, 4th wheel (22T)	1	
14	39K-17251-01	GEAR, 5th wheel (27T)	1	LE19J
15	4V0-17211-00	GEAR, 1st wheel (36T)	1	
16	93410-20038	CIRCLIP	4	
17	164-17427-00-06	SHIM 1 (0.6T)	1	
18	93440-15012	CIRCLIP	1	
19	93306-20333	BEARING	1	BS10E
20	93317-11245	BEARING, cylindrical	1	
21	93315-31502	BEARING, cylindrical	1	
22	93306-20401	BEARING (B6204)	1	JD34F
23	93102-20143	OIL SEAL	1	
24	174-17461-50	SPROCKET, drive (15T)	1	
	174-17461-20	SPROCKET, drive (12T)	1	AP
	174-17461-30	SPROCKET, drive (13T)	1	AP
	174-17461-40	SPROCKET, drive (14T)	1	AP
25	93410-18062	CIRCLIP	1	

 22W100-3130

**B15**

FIG. 13 SHIFT CAM. FORK



REF. NO.	PART NO.	DESCRIPTION	Q'TY	REMARKS
1	22W-18540-00	SHIFT CAM ASSY	1	
2	22W-18140-00	STOPPER LEVER ASSY	1	
3	90508-26462	SPRING, torsion	1	
4	1W1-18177-00	BOLT, stopper	1	
5	4V0-18511-00	FORK, shift 1	1	
6	39K-18512-00	FORK, shift 2	1	
7	4V0-18513-00	FORK, shift 3	1	
8	90250-06013	PIN, straight	3	
9	5X5-18531-01	BAR, shift fork guide 1	1	
10	5X5-18535-01	BAR, shift fork guide 2	1	

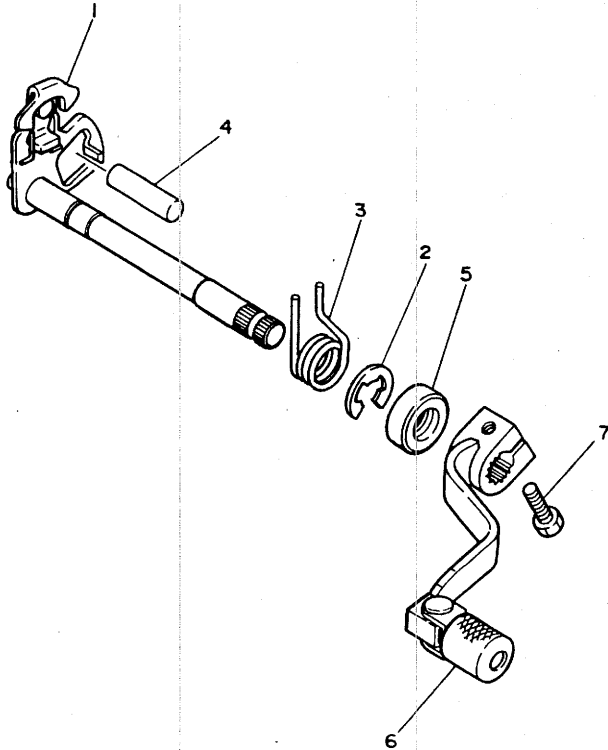


22W100-3140

C2

FIG. 14 SHIFT SHAFT

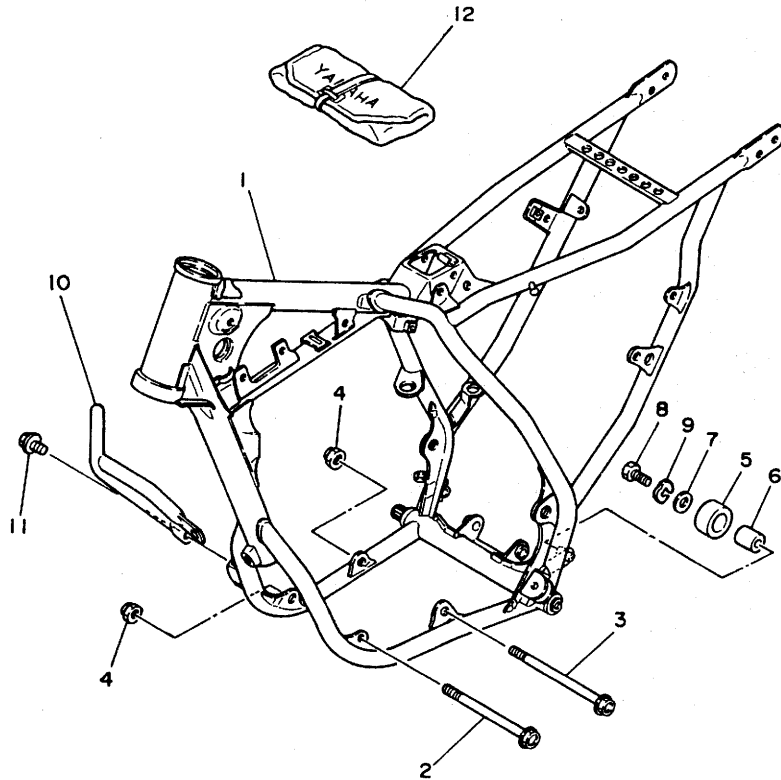
REF. NO.	PART NO.	DESCRIPTION	Q'TY	REMARKS
1	22W-18101-00	SHIFT SHAFT ASSY	1	
2	93430-10016	CIRCLIP	1	
3	90508-32642	SPRING, torsion	1	
4	93608-30128	PIN, dowel	1	
5	93109-12012	OIL SEAL	1	
6	22W-18110-00	SHIFT PEDAL ASSY	1	
7	97321-06020	BOLT	1	



22W100-3150

C3

FIG. 15 FRAME



REF. NO.	PART NO.	DESCRIPTION	Q'TY	REMARKS
1	39K-21110-00-FH	FRAME COMP.	1	fire red
2	95811-08125	BOLT, flange	1	
3	95811-08135	BOLT, flange	1	
4	90185-08113	NUT, self-locking	2	
5	22W-22178-01	TENSIONER	1	
6	4V4-22184-00	BUSH	1	
7	90201-067A0	WASHER, plate	1	
8	97301-06016	BOLT	1	
9	92901-06700	WASHER, wave	1	
10	39K-2174F-00	GUARD, radiator	1	
11	95021-08012	BOLT, flange	2	
12	39K-28100-00	TOOL KIT	1	

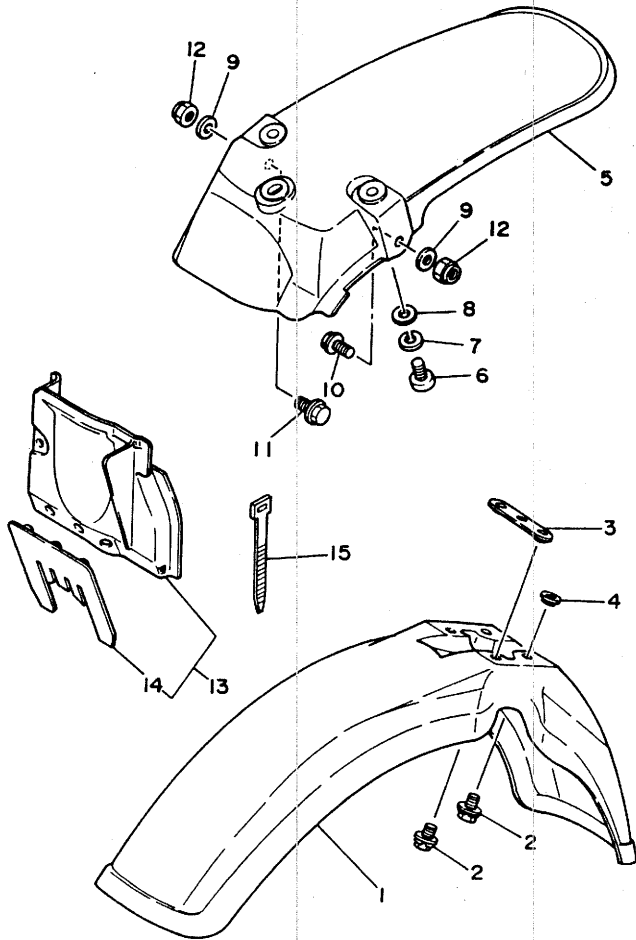


22W100-3161

C4

FIG. 16 FENDER

REF. NO.	PART NO.	DESCRIPTION	Q'TY	REMARKS
1	5X2-21511-10	FENDER, front	1	clean white
2	90119-06063	BOLT, with washer	4	
3	22W-21523-00	PLATE 1	1	
4	90209-06187	WASHER	2	
5	22W-21611-10	FENDER, rear	1	clean white
6	92502-06016	SCREW, pan head	3	
7	92902-06100	WASHER, spring	3	
8	90201-06557	WASHER, plate	3	
9	90201-08730	WASHER, plate	2	
10	95801-08025	BOLT, flange	1	
11	95801-08020	BOLT, flange	1	
12	90185-08113	NUT, self-locking	2	
13	39K-21620-00	MUD GUARD COMP.	1	
14	4V0-21621-00	.FLAP	1	
15	437-83936-00	BAND, switch cord	1	



22W100-3171

C5

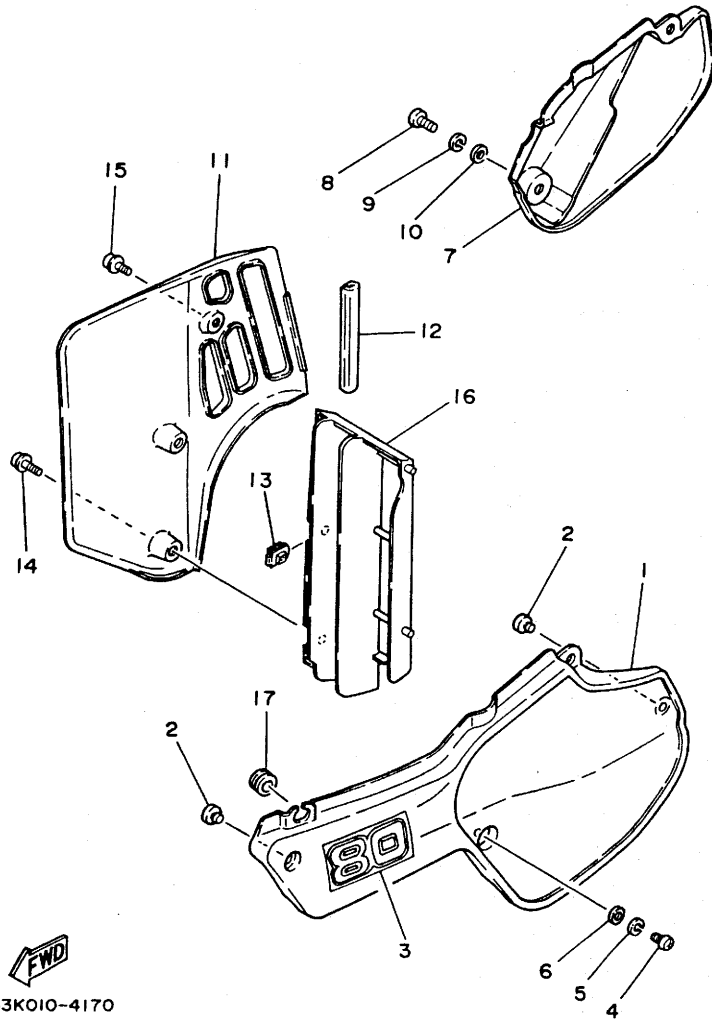


FIG. 17 SIDE COVER

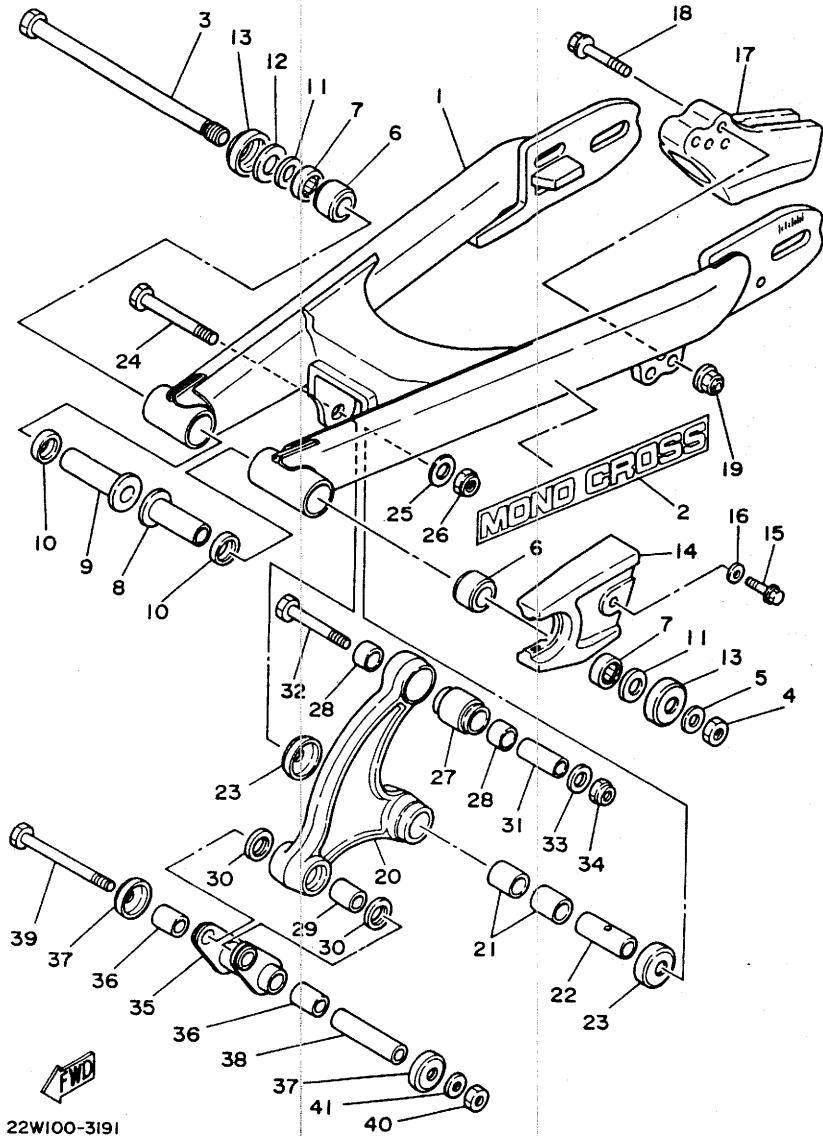
REF. NO.	PART NO.	DESCRIPTION	Q'TY	REMARKS
1	39K-21711-10	COVER, side 1	1	clean white
2	22W-24181-00	DAMPER, locating 1	2	
3	39K-21781-10	EMBLEM 1	1	
4	92501-06014	SCREW, pan head	2	
5	92901-06100	WASHER, spring	2	
6	90201-06571	WASHER, plate	2	
7	39K-21721-10	COVER, side 2	1	clean white
8	92501-06014	SCREW, pan head	2	
9	92901-06100	WASHER, spring	2	
10	90201-06571	WASHER, plate	2	
11	39K-21741-10	COVER, side 4	1	clean white
12	22W-21746-00	DAMPER	1	
13	22W-21791-00	NUT	3	
14	90159-05101	SCREW, with washer	2	
15	90159-05100	SCREW, with washer	1	
16	39K-2172A-00	PANEL 1	1	
17	90480-12053	GROMMET	1	

FWD  
43K010-4170

C6

FIG. 18 REAR ARM

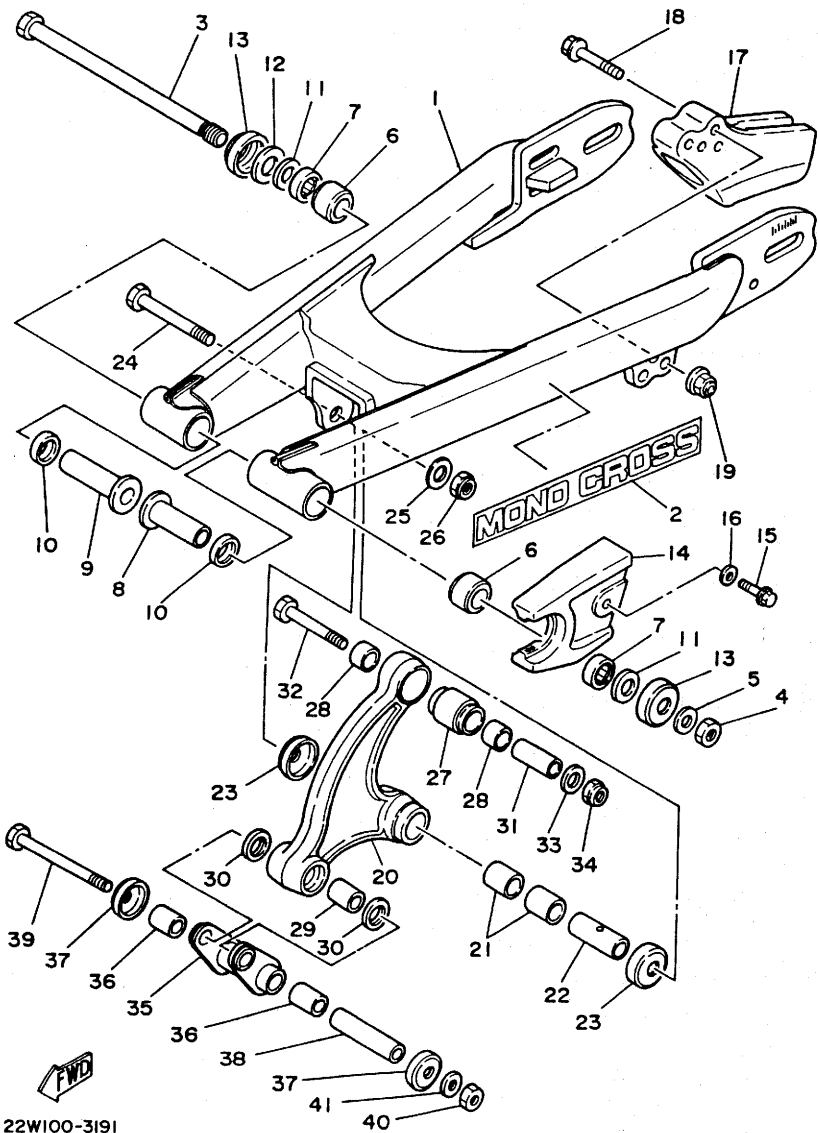
REF. NO.	PART NO.	DESCRIPTION	Q'TY	REMARKS
1	39K-22110-00-35	REAR ARM COMP.	1	silver
2	5X1-2218A-00	EMBLEM, rear arm	2	
3	4V1-22141-00	SHAFT, pivot	1	
4	90185-12119	NUT, self-locking	1	
5	90201-124G9	WASHER, plate	1	
6	90385-17042	BUSH	2	
7	93317-21746	BEARING, cylindrical	2	
8	90387-127J8	COLLAR	1	
9	90387-127J7	COLLAR	1	
10	93109-17048	OIL SEAL	2	
11	90201-191J4	WASHER, plate	2	
12	401-22127-00	SHIM	1	
13	401-22128-01	SEAL, guard	2	
14	39K-22151-00	SEAL, guard	1	
15	95801-06025	BOLT, flange	1	
16	90201-06067	WASHER, plate	1	
17	39K-22199-00	SUPPORT, chain	1	
18	95821-08040	BOLT, flange	2	
19	90185-08113	NUT, self-locking	2	
20	39K-2217A-00	ARM, relay	1	
21	90384-18190	BUSH, bimetal formed	2	
22	90380-12094	BUSH, solid	1	
23	5X6-22129-00	COVER, thrust 2	2	
24	90109-10690	BOLT	1	
25	90201-100E9	WASHER, plate	1	
26	90185-10110	NUT, self-locking	1	
27	22W-22124-00	BUSH 2	1	
28	90380-16109	BUSH, solid	2	



22W100-3191

**C7**





22W100-3191

FIG. 18 REAR ARM

REF. NO.	PART NO.	DESCRIPTION	Q'TY	REMARKS
29	90383-16023	BUSH, formed	1	
30	93109-16035	OIL SEAL	2	
31	90387-10660	COLLAR	1	
32	90109-10689	BOLT	1	
33	92901-10600	WASHER, plate	1	
34	90185-10110	NUT, self-locking	1	
35	22W-2217F-00	ROD, connecting 1	1	
36	90383-16023	BUSH, formed	2	
37	22W-22129-00	COVER, thrust 2	2	
38	90387-10569	COLLAR	1	
39	90109-10688	BOLT	1	
40	90185-10110	NUT, self-locking	1	
41	92901-10600	WASHER, plate	1	

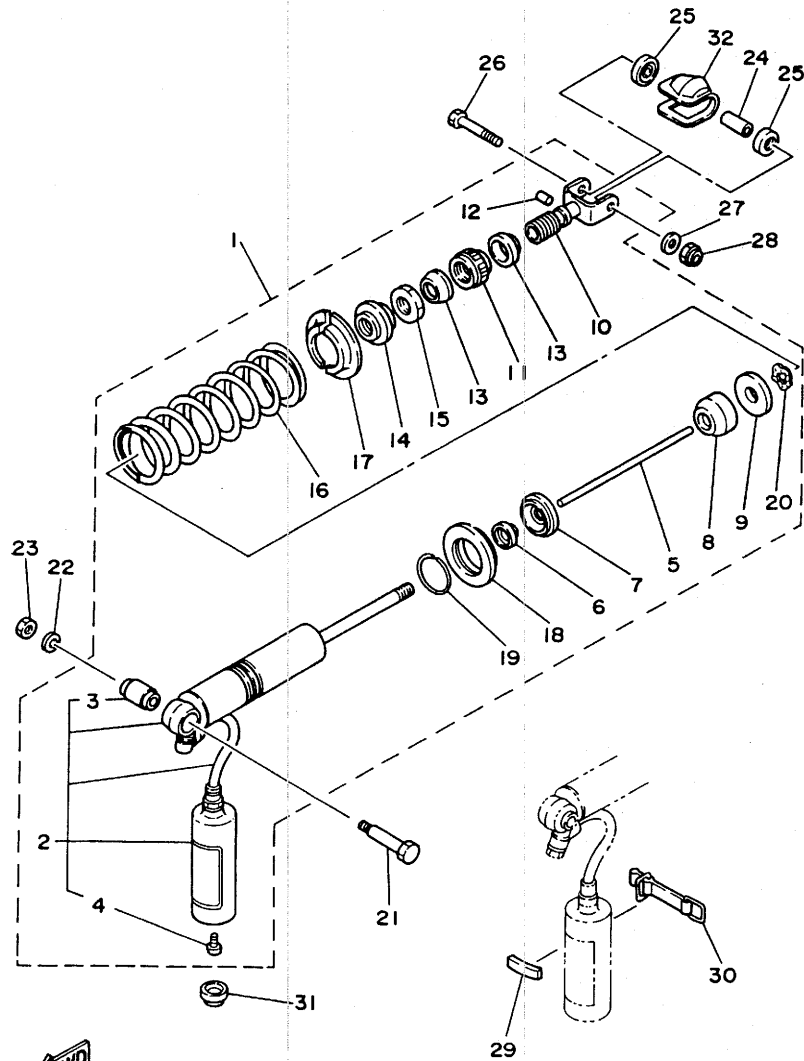


FIG. 19 REAR SUSPENSION

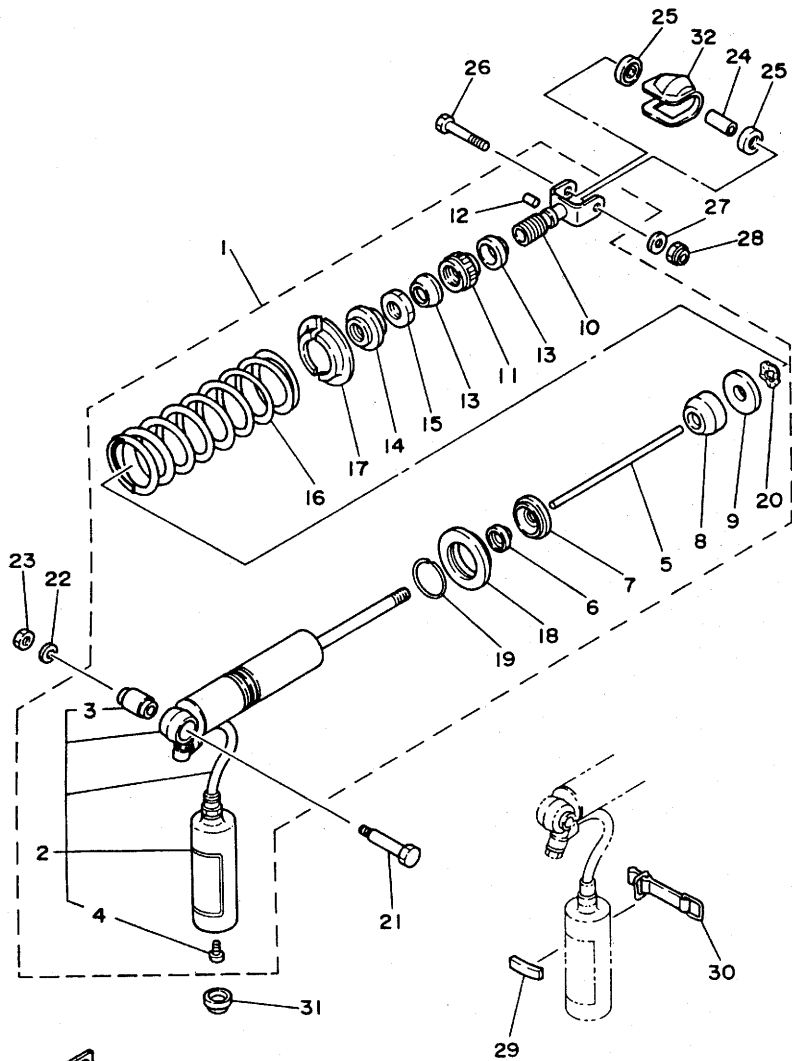
REF. NO.	PART NO.	DESCRIPTION	Q'TY	REMARKS
1	39K-22210-00-6W	SHOCK ABSORBER ASSY, rear	1	native red
2	39K-22401-00	.DAMPER SUB ASSY	1	
3	2X6-22216-00	..BUSH, rear shock absorber	1	
4	98501-04005	..SCREW, pan head	1	
5	22W-22489-00	.ROD, push	1	
6	29L-22475-00	.SEAL, dust	1	
7	39K-22472-00	.CAP, case	1	
8	5X2-22493-00	.BUMP, stop	1	
9	5X2-22228-00	.SUPPORT, bump stop	1	
10	22W-22409-00	.UPPER BRACKET SUB ASSY	1	
11	3R4-22497-00	.NUT, adjusting	1	
12	93604-26132	.PIN, dowel	1	
13	3R4-22221-01	.COVER	1	
14	3R4-22213-00	.SEAT, spring upper	1	
15	90170-20213	.NUT	1	
16	22W-22212-20-6W	.SPRING (K=3.6)	1	native red
17	22W-22214-00	.GUIDE, spring 1	2	
18	22W-22223-00	.SEAT, spring lower	1	
19	93440-42101	.CIRCLIP	1	
20	90206-12082	.WASHER, wave	1	
21	90109-10729	BOLT	1	
22	92901-10600	WASHER, plate	1	
23	90185-10110	NUT, self-locking	1	
24	90387-10660	COLLAR	1	
25	22W-22129-00	COVER, thrust 2	2	
26	90109-10689	BOLT	1	
27	92901-10600	WASHER, plate	1	
28	90185-10110	NUT, self-locking	1	

39K100-4190

C9

FIG. 19 REAR SUSPENSION

REF. NO.	PART NO.	DESCRIPTION	QTY	REMARKS
29	24X-22261-00	DAMPER, sub tank		
30	24X-22262-00	HOLDER, sub tank		
31	90480-17359	GROMMET		
32	22W-22189-00	BOOT, rubber		

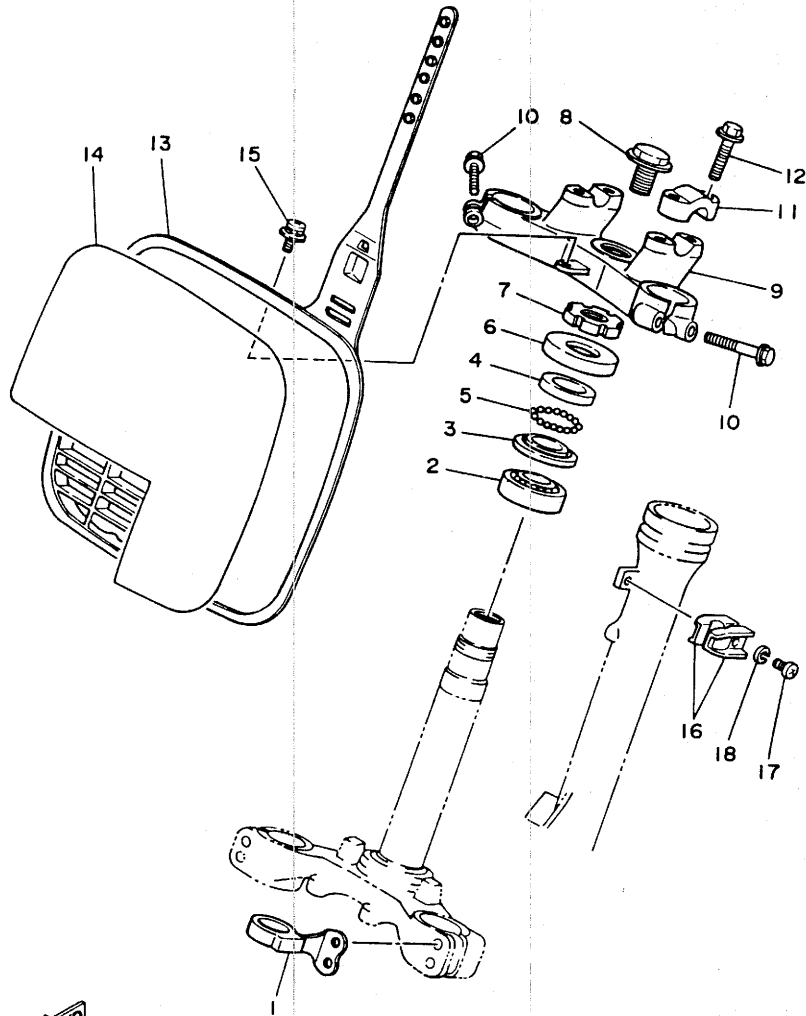


39K100-4190

**C10**

FIG. 20 STEERING

REF. NO.	PART NO.	DESCRIPTION	Q'TY	REMARKS
1	3R4-23389-00	GUIDE, cable	1	
2	93332-00059	BEARING	1	
3	122-23411-00	RACE, ball 1	1	
4	122-23412-00	RACE, ball 2	1	
5	93503-16010	BALL	22	
6	122-23416-00	COVER, ball race 2	1	
7	90179-25033	NUT	1	
8	90105-14137	BOLT, washer based	1	
9	22W-23435-00-98	CROWN, handle	1	low gloss black
10	95801-08035	BOLT, flange	2	
11	1E6-23441-00	HOLDER, handle upper	2	
12	95821-08030	BOLT, flange	4	
13	22W-23485-11	PLATE, number	1	clean white
14	22W-21785-10	EMBLEM 5	1	
15	90159-06060	SCREW, with washer	1	
16	90462-14055	CLAMP	2	
17	92501-06012	SCREW, pan head	1	
18	92901-06100	WASHER, spring	1	

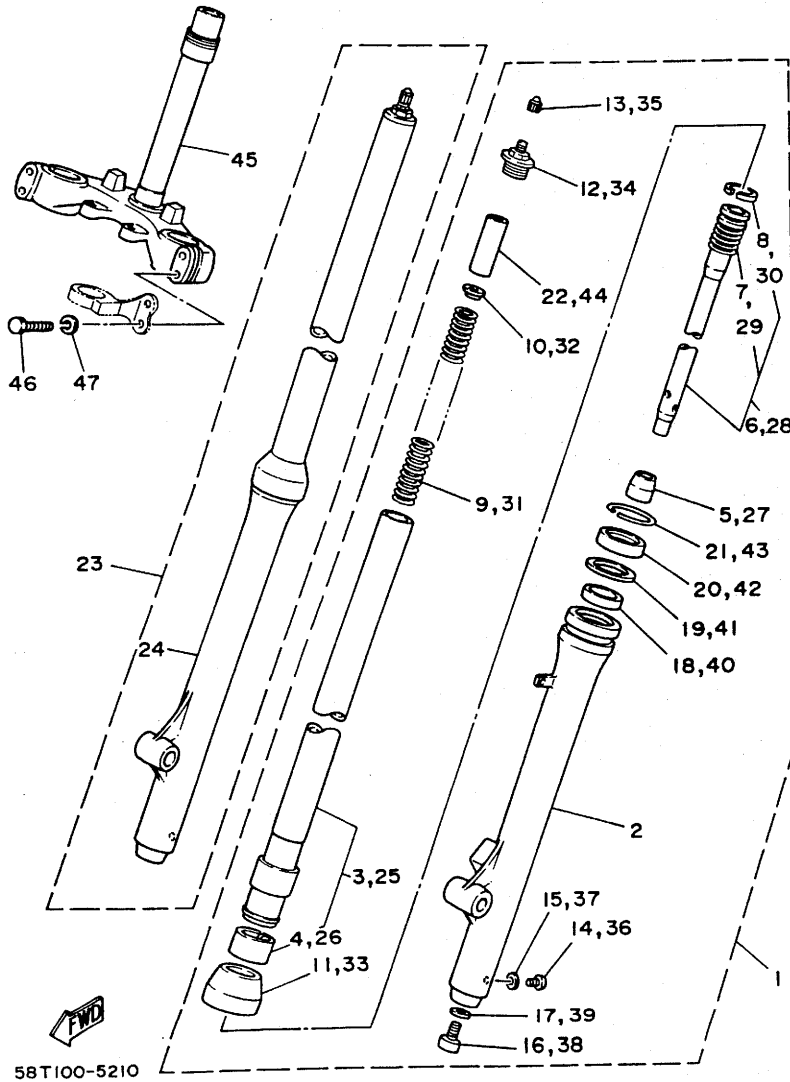


58TO10-5200

C11

FIG. 21 FRONT FORK

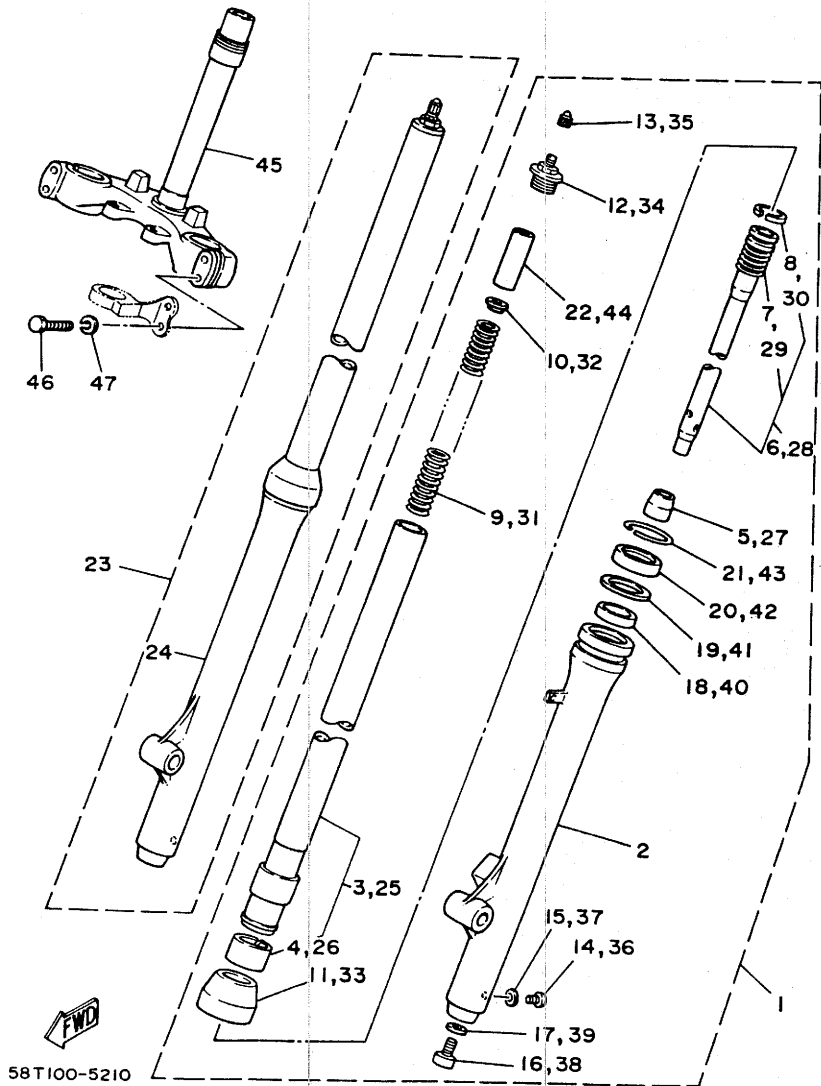
REF. NO.	PART NO.	DESCRIPTION	Q'TY	REMARKS
1	58T-23102-L0	FRONT FORK ASSY (L.H)	1	
2	39K-23126-L0	.TUBE, outer 1	1	
3	58T-23110-L0	.INNER TUBE COMP.1	1	
4	39K-23171-L0	..PISTON, front fork	1	
5	39K-23173-00	.SPINDLE, taper	1	
6	39K-23170-L0	.CYLINDER COMP., front fork	1	
7	509-23151-L0	..SPRING, rebound	1	
8	22W-23157-L0	..RING, piston	1	
9	39K-23141-00	.SPRING, front fork (K=0.23)	1	
10	583-23142-00	.SEAT, spring upper	1	
11	22W-23144-L0	.SEAL, dust	1	
12	58T-23111-L0	.BOLT, cap	1	
13	58T-23184-L0	.CAP, air valve	1	
14	122-23119-01	.PLUG, drain	1	
15	122-23129-00	.GASKET, drain plug	1	
16	278-23181-50	.BOLT, hexagon socket head	1	
17	509-23158-L0	.GASKET	1	
18	22W-23125-L0	.METAL, slide 1	1	
19	22W-23146-L0	.WASHER, oil seal	1	
20	22W-23145-L0	.OIL SEAL	1	
21	22W-23153-L0	.RING, snap	1	
22	58T-23118-L0	.SPACER	1	
23	58T-23103-L0	FRONT FORK ASSY (R.H)	1	
24	39K-23136-L0	.TUBE, outer 2	1	
25	58T-23110-L0	.INNER TUBE COMP.1	1	
26	39K-23171-L0	..PISTON, front fork	1	
27	39K-23173-00	.SPINDLE, taper	1	
28	39K-23170-L0	.CYLINDER COMP., front fork	1	



C12

FIG. 21 FRONT FORK

REF. NO.	PART NO.	DESCRIPTION	Q'TY	REMARKS
29	509-23151-L0	..SPRING, rebound	1	
30	22W-23157-L0	..RING, piston	1	
31	39K-23141-00	.SPRING, front fork (k=0.23)	1	
32	583-23142-00	.SEAT, spring upper	1	
33	22W-23144-L0	.SEAL, dust	1	
34	58T-23111-L0	.BOLT, cap	1	
35	58T-23184-L0	.CAP, air valve	1	
36	122-23119-01	.PLUG, drain	1	
37	122-23129-00	.GASKET, drain plug	1	
38	278-23181-50	.BOLT, hexagon socket head	1	
39	509-23158-L0	.GASKET	1	
40	22W-23125-L0	.METAL, slide 1	1	
41	22W-23146-L0	.WASHER, oil seal	1	
42	22W-23145-L0	.OIL SEAL	1	
43	22W-23153-L0	.RING, snap	1	
44	58T-23118-L0	.SPACER	1	
45	39K-23340-L0-39	UNDER BRACKET COMP.	1	clear no buffing
46	97321-08040	BOLT	4	
47	92901-08100	WASHER, spring	4	

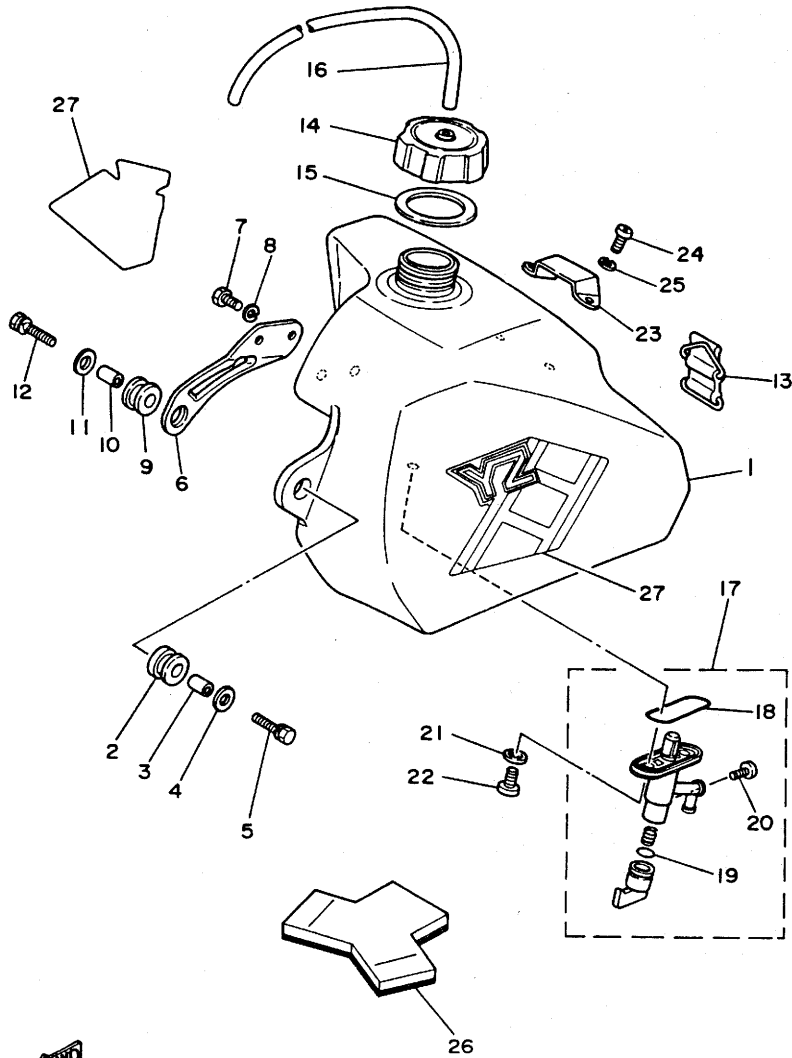


58T100-5210

C13

FIG. 22 FUEL TANK

REF. NO.	PART NO.	DESCRIPTION	Q'TY	REMARKS
1	22W-24110-10	FUEL TANK COMP.	1	clean white
2	90480-18290	GROMMET	1	
3	90387-07598	COLLAR	1	
4	90201-06072	WASHER, plate	1	
5	90119-06073	BOLT, with washer	1	
6	22W-24158-00	STAY, fuel tank 2	1	
7	97301-06012	BOLT	2	
8	92901-06100	WASHER, spring	2	
9	90480-18290	GROMMET	1	
10	90387-07598	COLLAR	1	
11	90201-06072	WASHER, plate	1	
12	90119-06073	BOLT, with washer	1	
13	3R3-24173-00	BAND, tank fitting 1	1	
14	5X7-24611-01	BODY, cap	1	
15	5X7-24612-00	GASKET, cap	1	
16	90445-09304	HOSE	1	
17	2K5-24500-00	FUEL COCK ASSY 1	1	
18	214-24512-00	.GASKET	1	
19	1A0-24512-00	.O-RING	1	
20	619-24535-00	.SCREW, lever fitting	1	
21	90202-06010	WASHER, plate	2	
22	90149-06011	SCREW	2	
23	5X7-2412F-00	BRACKET, seat	1	
24	92501-06012	SCREW, pan head	2	
25	92901-06100	WASHER, spring	2	
26	22W-24183-00	DAMPER, locating 3	1	
27	58T-24250-10	GRAPHIC SET	1	

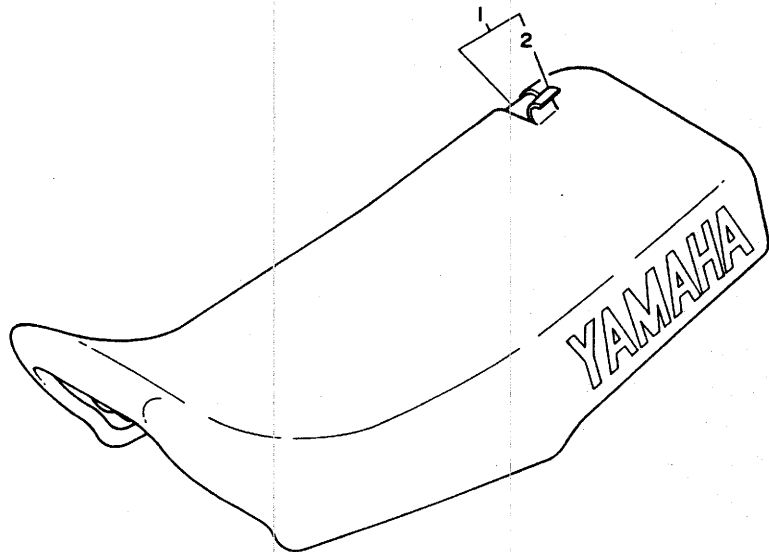


58T100-5220

C14

FIG. 23 SEAT

REF. NO.	PART NO.	DESCRIPTION	Q'TY	REMARKS
1	22W-24770-10	SEMI-DOUBLE SEAT ASSY	1	
2	22W-24771-10	.COVER, semi-double seat	1 red	



22W100-3240

C15



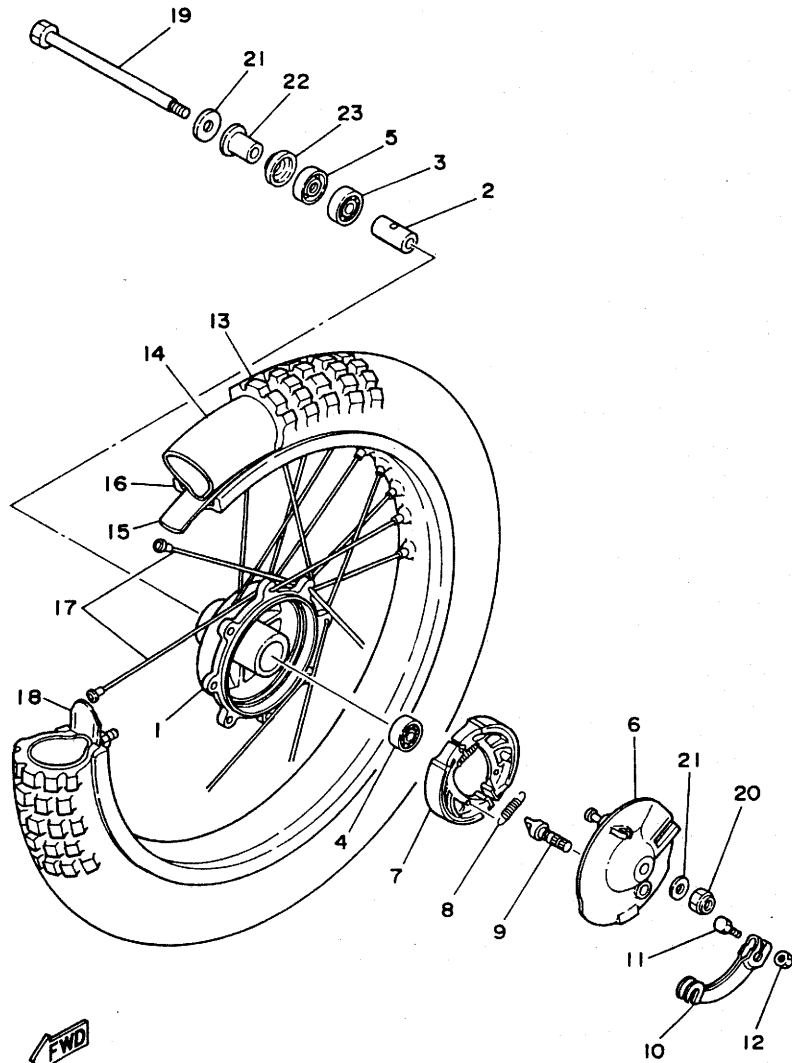


FIG. 24 FRONT WHEEL

REF. NO.	PART NO.	DESCRIPTION	Q'TY	REMARKS
1	39K-25111-00-98	HUB, front	1	low gloss black
2	90560-12257	SPACER	1	
3	93306-00105	BEARING (B6001)	1	
4	93306-00104	BEARING (B6001RS)	1	
5	93106-18013	OIL SEAL	1	
6	39K-25121-00-98	PLATE, brake shoe	1	low gloss black
7	39K-25130-00	BRAKE SHOE COMP.	2	
8	90506-14081	SPRING, tension	2	
9	451-25151-00	CAMSHAFT	1	
10	39K-25155-00	LEVER, camshaft 1	1	
11	90101-06291	BOLT	1	
12	95301-06600	NUT	1	
13	94108-17365	TIRE	1	bridgestone
14	94227-17152	TUBE (2.75-17)	1	bridgestone
15	94327-17103	BAND, rim (2.75-17)	1	bridgestone
16	94414-17374	RIM (1.40-17)	1	
17	39K-25104-00	SPOKE SET, front	1	
18	1T1-25194-00	SPACER, bead	1	
19	22W-25181-01	AXLE, wheel	1	
20	90185-12046	NUT, self-locking	1	
21	90201-12174	WASHER, plate	2	
22	2J5-25183-00	COLLAR, wheel	1	
23	462-25118-00	COVER, hub dust	1	

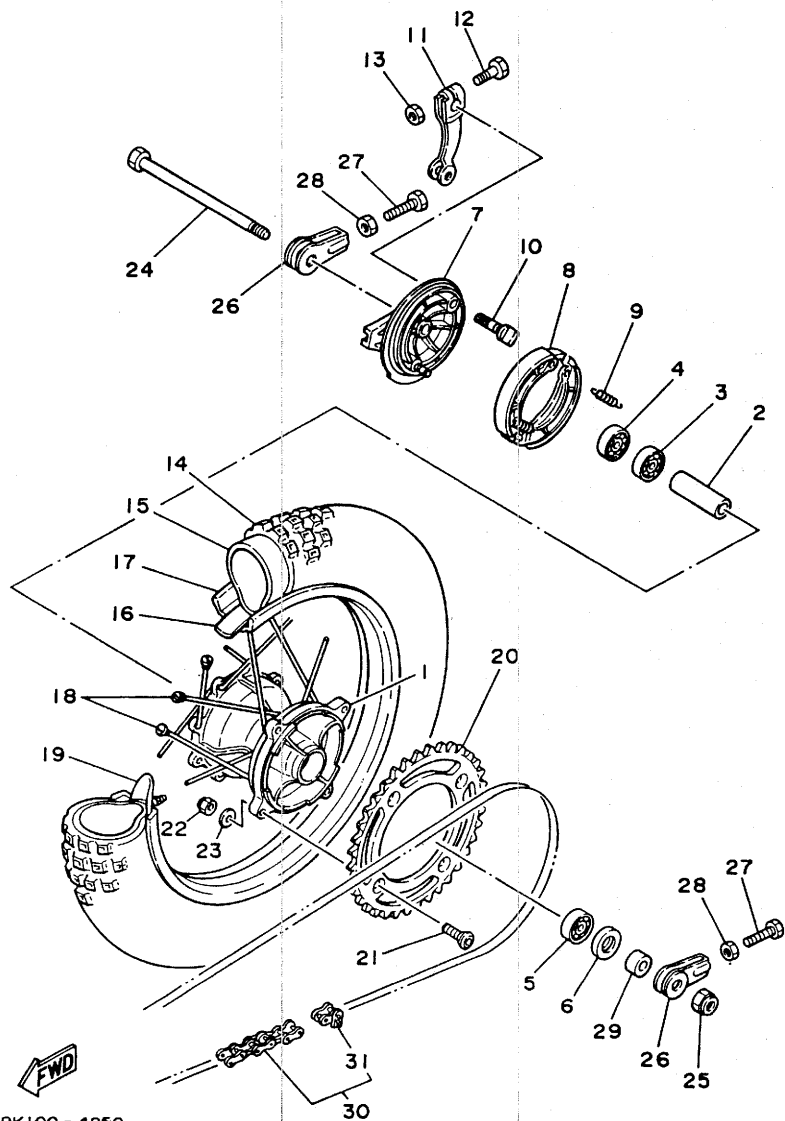


39K100-4240

D2

FIG. 25 REAR WHEEL

REF. NO.	PART NO.	DESCRIPTION	Q'TY	REMARKS
1	39K-25311-00-98	HUB, rear	1	low gloss black
2	90560-12256	SPACER	1	
3	93306-00104	BEARING (B6001RS)	1	
4	93306-00105	BEARING (B6001)	1	
5	93306-30101	BEARING (B6301)	1	
6	93106-20002	OIL SEAL	1	
7	39K-25321-00-98	PLATE, brake shoe	1	low gloss black
8	39K-25130-00	BRAKE SHOE COMP.	2	
9	90506-14081	SPRING, tension	2	
10	3R0-25351-00	CAMSHAFT	1	
11	3R0-25355-11	LEVER, camshaft	1	
12	90101-06278	BOLT	1	
13	95301-06600	NUT	1	
14	94111-14364	TIRE	1	bridgestone
15	94241-14175	TUBE (4.10-14)	1	bridgestone
16	94336-14102	BAND, rim (3.60-14)	1	bridgestone
17	94416-14375	RIM (1.60-14)	1	
18	39K-25304-00	SPOKE SET, rear	1	
19	5X2-25394-00	SPACER, bead	1	
20	39K-25446-00	SPROCKET, driven (46T)	1	
	39K-25444-00	SPROCKET, driven (44T)	1	AP
	39K-25448-00	SPROCKET, driven (48T)	1	AP
	39K-25450-00	SPROCKET, driven (50T)	1	AP
21	90109-08706	BOLT	4	
22	95611-08100	NUT, u	4	
23	90201-081A6	WASHER, plate	4	
24	39K-25381-09	AXLE, wheel	1	
25	90185-12046	NUT, self-locking	1	

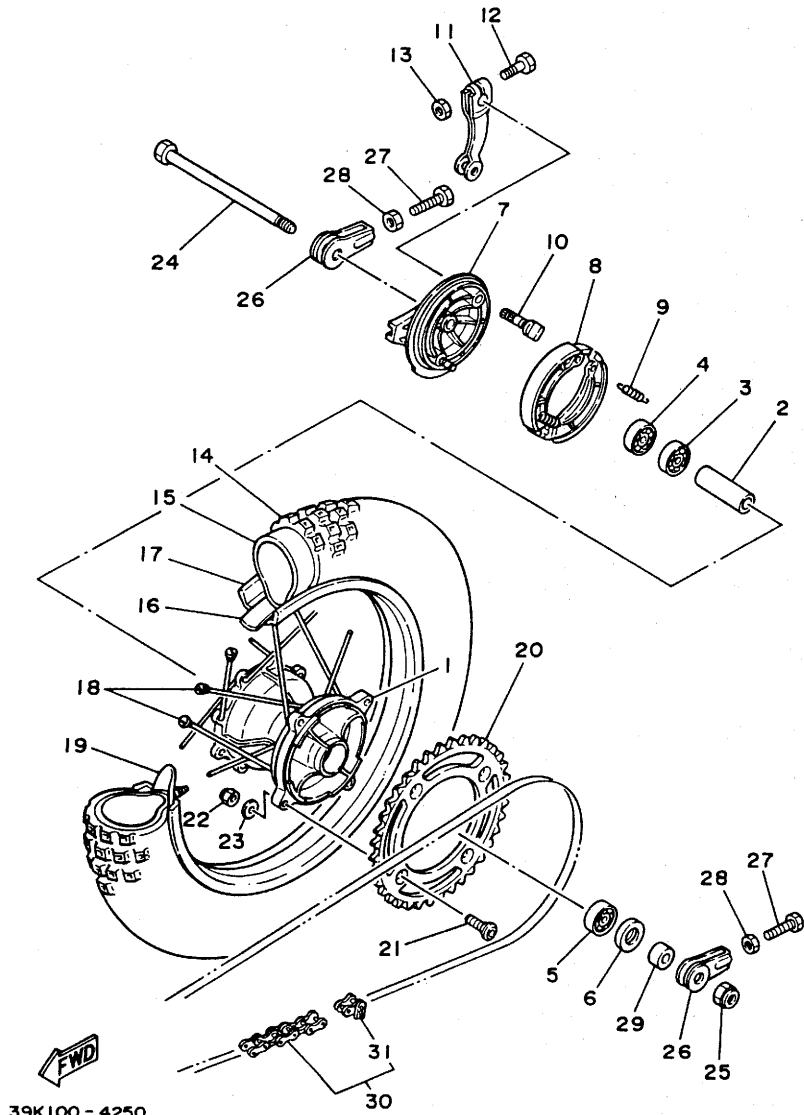


39K100 - 4250

**D3**

FIG. 25 REAR WHEEL

REF. NO.	PART NO.	DESCRIPTION	Q'TY	REMARKS
26	5H5-25389-00	PULLER, chain 2	2	
27	90101-08034	BOLT	2	
28	95301-08700	NUT	2	
29	90387-127J9	COLLAR	1	
30	94580-24112	CHAIN, drive (DID428 112L)	1	
31	94680-24001	.JOINT, chain (D.I.D.428)	1	



39K100 - 4250

D4

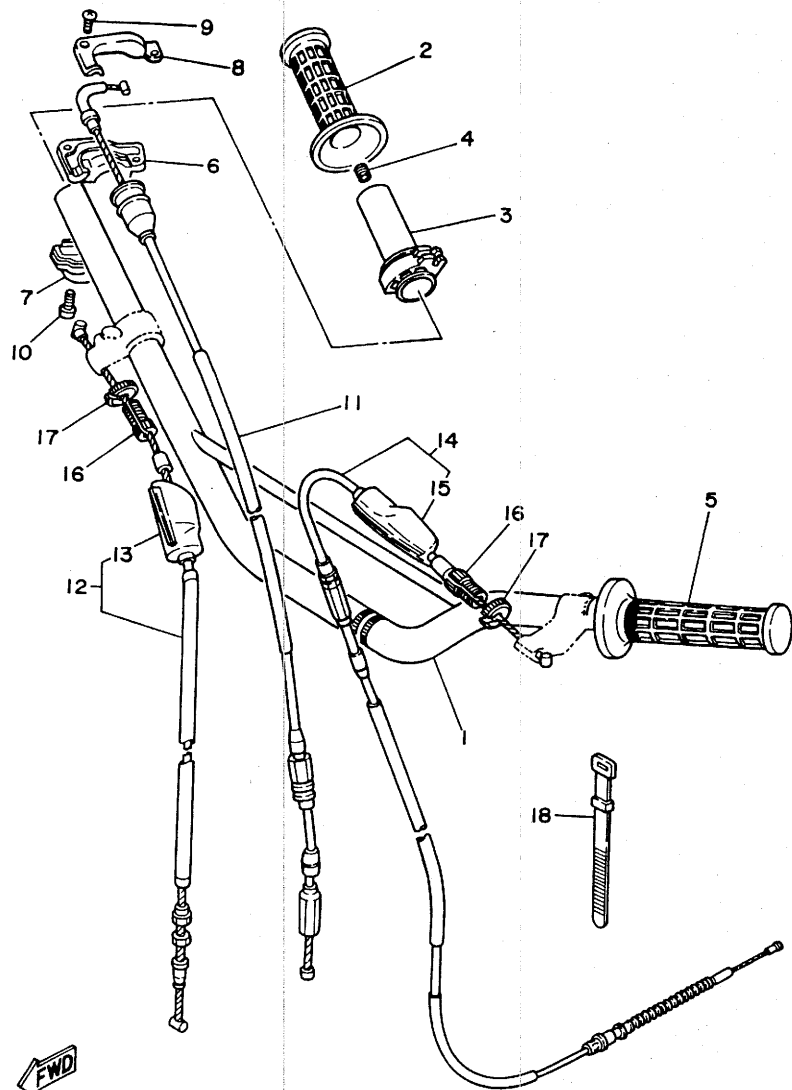


FIG. 26 STEERING HANDLE. CABLE

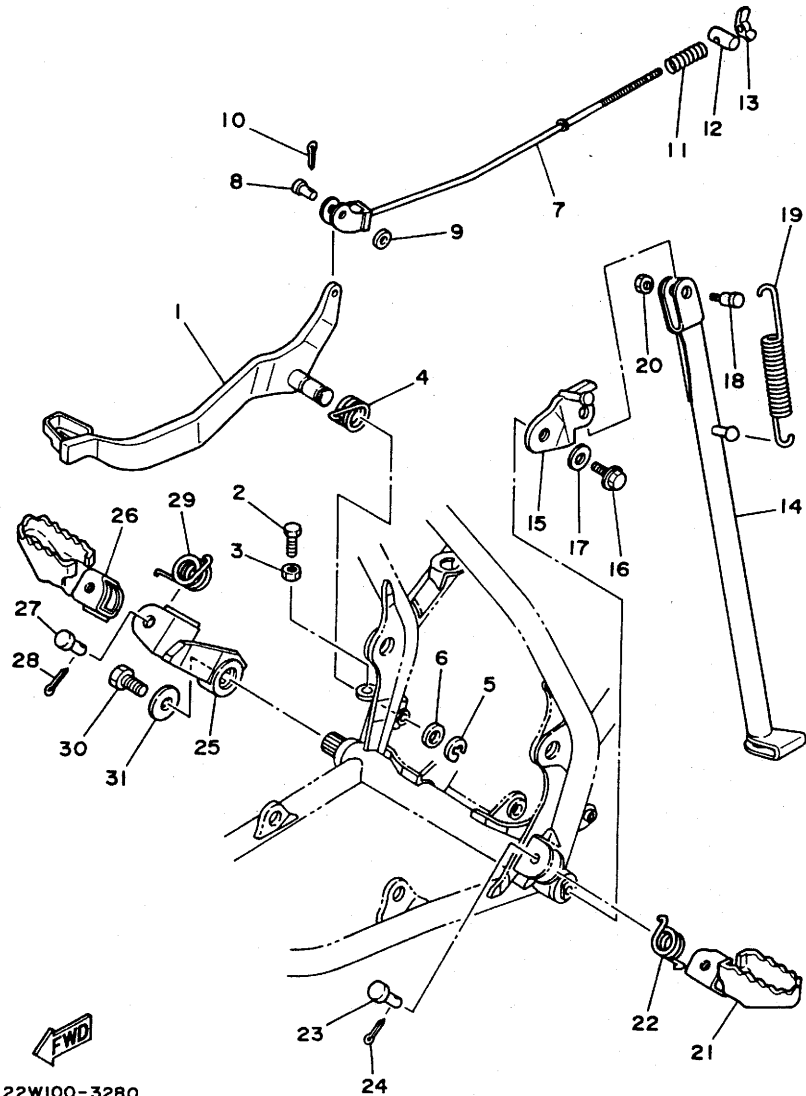
REF. NO.	PART NO.	DESCRIPTION	Q'TY	REMARKS
1	22W-26111-00	HANDLEBAR	1	
2	4V4-26242-01	GRIP (R.H)	1	
3	22W-26243-00	TUBE, throttle guide	1	
4	688-82535-00	GROMMET	1	
5	4V4-26241-01	GRIP (L.H)	1	
6	5X2-26281-00	CAP, grip upper	1	
7	322-26282-00-98	CAP, grip lower	1	low gloss black
8	5X2-2628H-01	CAP, wire	1	
9	98606-04012	SCREW, oval head	2	
10	98506-05016	SCREW, pan head	2	
11	22W-26311-00	CABLE, throttle 1	1	
12	39K-26341-00	CABLE, brake	1	
13	382-26372-01	.COVER, handle lever 1	1	
14	39K-26335-00	CABLE, clutch	1	
15	382-26372-01	.COVER, handle lever 1	1	
16	90123-08013	BOLT	2	
17	90179-08148	NUT	2	
18	437-83936-10	BAND, switch cord	1	

FWD

22W100-3270

D5

FIG. 27 STAND, FOOTREST

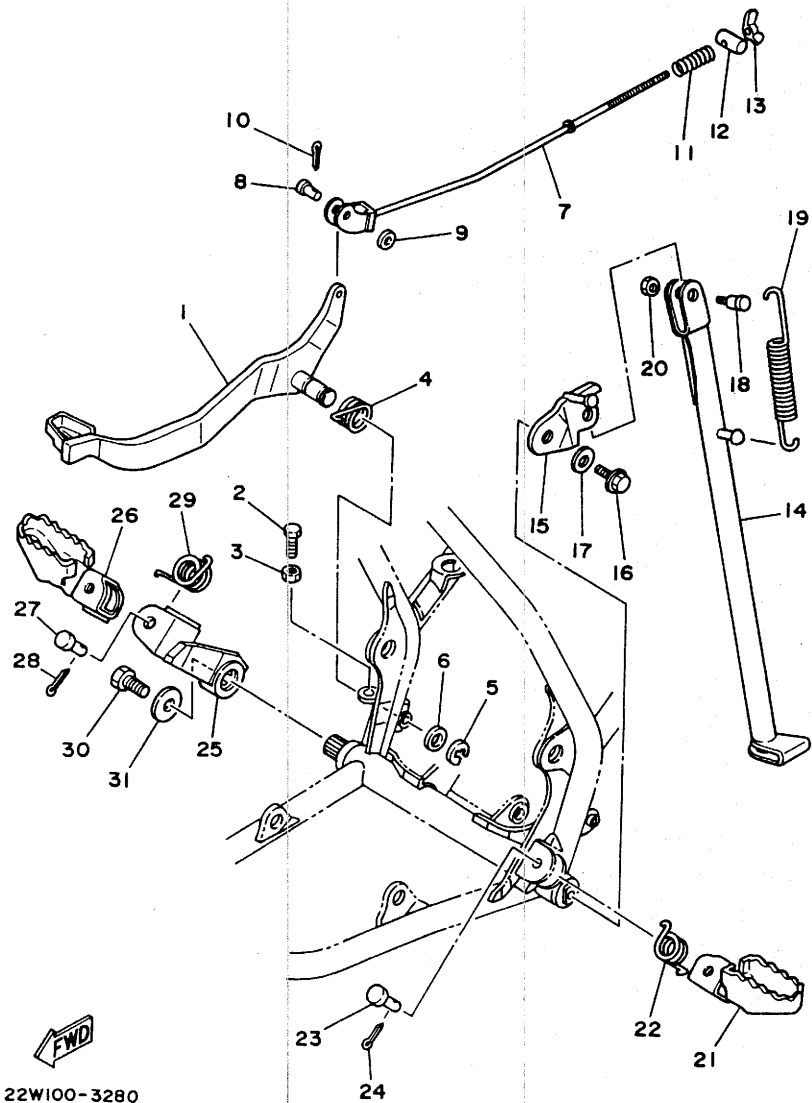


REF. NO.	PART NO.	DESCRIPTION	QTY	REMARKS
1	22W-27211-00	PEDAL, brake	1	
2	97301-06012	BOLT	1	
3	95301-06700	NUT	1	
4	90508-32468	SPRING, torsion	1	
5	93430-09019	CIRCLIP	1	
6	92902-12600	WASHER, plate	1	
7	39K-27231-00	ROD, brake	1	
8	90240-06040	PIN, clevis	1	
9	92901-06200	WASHER, plain	1	
10	91401-20015	PIN, cotter	1	
11	90501-10245	SPRING, compression	1	
12	90249-12008	PIN	1	
13	90175-06016	NUT, wing	1	
14	22W-27311-00-R4	STAND, side	1	black
15	22W-27321-00	BRACKET, side stand	1	
16	95821-10016	BOLT, flange	1	
17	90201-102A2	WASHER, plate	1	
18	90109-08666	BOLT	1	
19	90506-28100	SPRING, tension	1	
20	95301-08700	NUT	1	
21	22W-27411-00-90	FOOTREST	1	
22	90508-20023	SPRING, torsion	1	
23	90240-08097	PIN, clevis	1	
24	91401-25015	PIN, cotter	1	
25	5X2-27422-01-33	BRACKET, footrest 2	1	yamaha black
26	22W-27421-00-90	FOOTREST 2	1	
27	90240-08097	PIN, clevis	1	
28	91401-25015	PIN, cotter	1	

FWD  
22W100-3280

D6

FIG. 27 STAND. FOOTREST



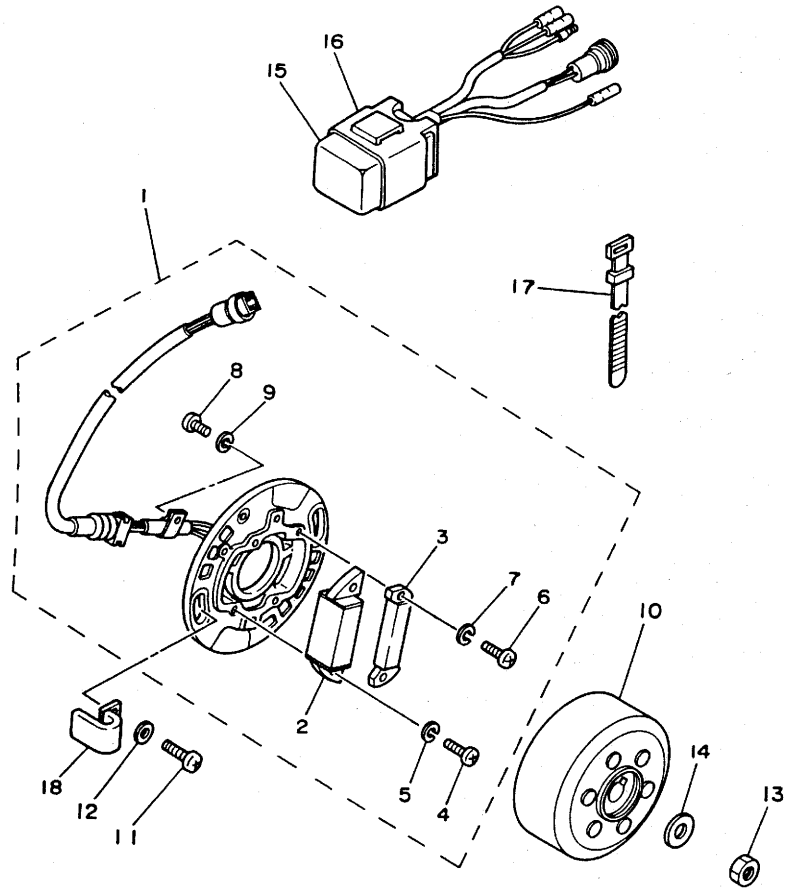
REF. NO.	PART NO.	DESCRIPTION	Q'TY	REMARKS
29	90508-20023	SPRING, torsion	1	
30	97311-10022	BOLT	1	
31	90201-10144	WASHER, plate	1	



22W100-3280

D7

FIG. 28 GENERATOR



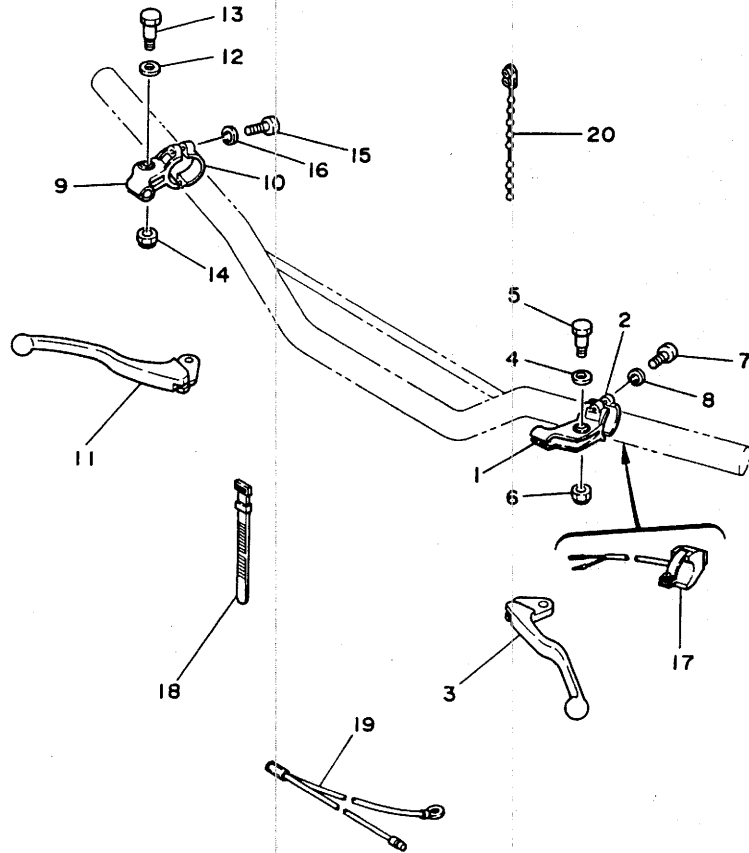
REF. NO.	PART NO.	DESCRIPTION	Q'TY	REMARKS
1	58T-85510-20	STATOR ASSY	1	
2	58T-85541-20	.COIL, charge	1	
3	58T-85580-20	.COIL, pulser	1	
4	98511-04025	.SCREW, pan head	2	
5	92902-04100	.WASHER, spring	2	
6	98501-04014	.SCREW, pan head	2	
7	92902-04100	.WASHER, spring	2	
8	98506-04008	.SCREW, pan head	1	
9	92902-04100	.WASHER, spring	1	
10	39K-85550-20	ROTOR ASSY	1	
11	92501-06014	SCREW, pan head	2	
12	90201-061A5	WASHER, plate	2	
13	95311-10600	NUT	1	
14	90201-10591	WASHER, plate	1	
15	58T-85540-20	C.D.I. UNIT ASSY	1	
16	2A7-85546-00	BAND	1	
17	437-83936-10	BAND, switch cord	1	
18	90462-05005	CLAMP	1	



58T100-5280

D8

FIG. 29 HANDLE SWITCH. LEVER



REF. NO.	PART NO.	DESCRIPTION	Q'TY	REMARKS
1	38V-82911-00	HOLDER, lever 1	1	
2	38V-82913-00	HOLDER, lever lower 1	1	
3	23X-83912-00	LEVER 1	1	
4	90201-082A9	WASHER, plate	1	
5	90109-06576	BOLT	1	
6	95606-06100	NUT, u	1	
7	98506-05018	SCREW, pan head	2	
8	92906-05100	WASHER, spring	2	
9	38V-82921-00	HOLDER, lever 2	1	
10	38V-82913-00	HOLDER, lever lower 1	1	
11	23X-83922-00	LEVER 2	1	
12	90201-082A9	WASHER, plate	1	
13	90109-06576	BOLT	1	
14	95606-06100	NUT, u	1	
15	98506-05018	SCREW, pan head	2	
16	92906-05100	WASHER, spring	2	
17	22W-83976-00	SWITCH, handle 1	1	
18	437-83936-00	BAND, switch cord	2	
19	5X1-82519-00	WIRE, earth lead	1	
20	90464-20031	CLAMP	1	



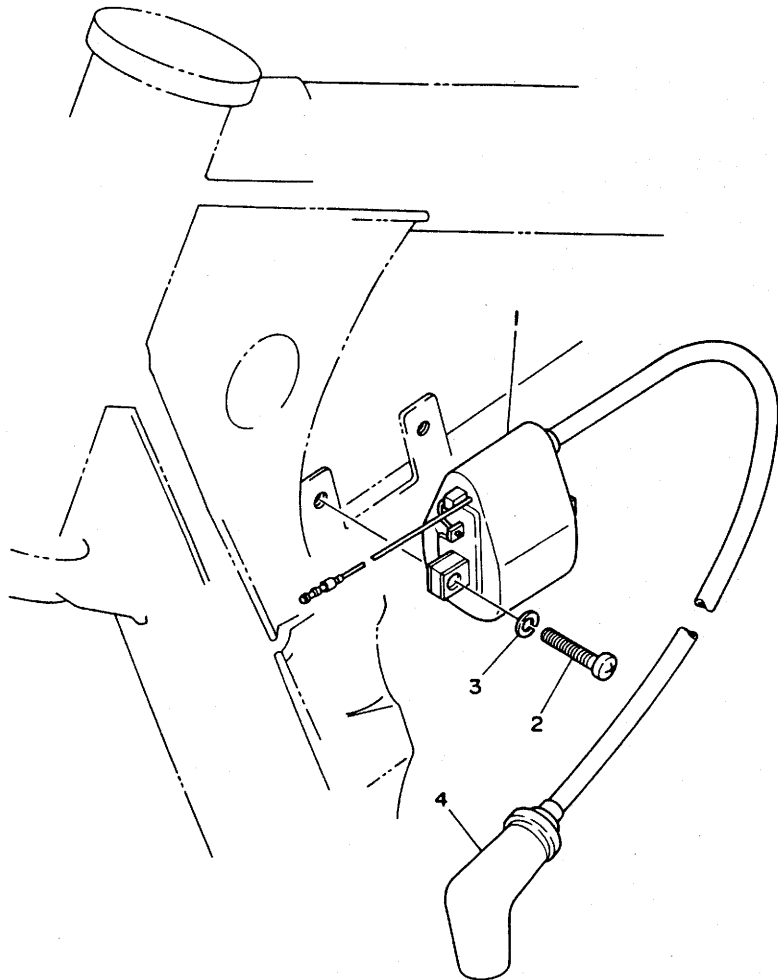
39K100-4290

D9



FIG. 30 ELECTRICAL 1

REF. NO.	PART NO.	DESCRIPTION	Q'TY	REMARKS
1	39K-82310-40	IGNITION COIL ASSY	1	
2	92501-06020	SCREW, pan head	2	
3	92902-06100	WASHER, spring	2	
4	1M1-82370-21	PLUG CAP ASSY	1	with noise suppressor

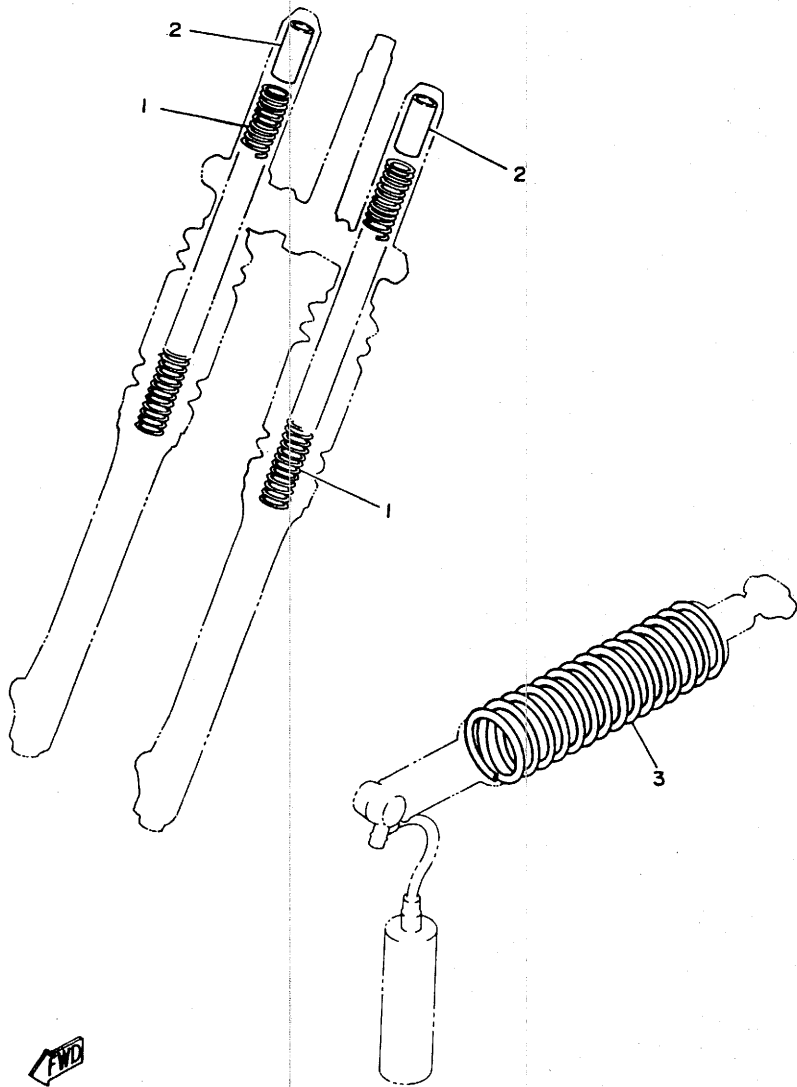


22W100-3291

D10

FIG. 31 ALTERNATE 1 (CHASSIS)

REF. NO.	PART NO.	DESCRIPTION	Q'TY	REMARKS
1	39K-23141-20	SPRING, front fork (K=0.25)	2	AP (hard) (use spacer 2
2	22N-23118-L0	SPACER	2	AP
3	22W-22212-00-6W	SPRING (K=3.25)	1	UR AP native red (soft)
	22W-22212-30-6W	SPRING (K=3.80)	1	UR AP native red (hard)



58T100-5310

D11

FIG. 32 REPAIR KIT

REF. NO.	PART NO.	DESCRIPTION	Q'TY	REMARKS
1	58T-11630-A0	PISTON ASSY (STD)	1	AP
2	58T-11631-00-94	.PISTON (STD)	1	
3	39K-11611-00	.RING, piston	1	
4	4V1-11633-00	.PIN, piston	1	
5	5X2-11634-00	.CLIP, piston pin	2	
6	58T-11630-E0	PISTON ASSY (1ST O/S)	1	AP
7	58T-11635-00	.PISTON (0.25MM O/S)	1	
8	39K-11611-10	.RING, piston	1	
9	4V1-11633-00	.PIN, piston	1	
10	5X2-11634-00	.CLIP, piston pin	2	
11	58T-11630-F0	PISTON ASSY (2ND O/S)	1	AP
12	58T-11636-00	.PISTON (0.50MM O/S)	1	
13	39K-11611-20	.RING, piston	1	
14	4V1-11633-00	.PIN, piston	1	
15	5X2-11634-00	.CLIP, piston pin	2	
16	39K-11650-00	CONNECTING ROD ASSY	1	AP
17	39K-11651-00	.ROD, connecting	1	
18	93310-418M6	.BEARING, cylindrical	1	
19	4V0-11681-00	.PIN, crank 1	1	
20	90209-18112	.WASHER	2	
21	93310-312M5	.BEARING, cylindrical	1	

NUMERICAL INDEX

PART NO.	GRID NO.	PART NO.	GRID NO.	PART NO.	GRID NO.	PART NO.	GRID NO.	PART NO.	GRID NO.	PART NO.	GRID NO.
58T-11111-00	B- 2	5X2-13565-00	B- 6	58T-14753-00	B-10	102-18137-00-10	B-13	3R4-22221-01	C- 9	39K-23170-L0	C-12
58T-11181-00	B- 2	22W-13581-00	B- 7	565-14771-00	B-10	22W-18140-00	C- 2	22W-22223-00	C- 9		C-12
58T-11311-00	B- 2	58T-13610-00	B- 6	22W-1490J-00	B- 8	1W1-18177-00	C- 2	5X2-22228-00	C- 9	39K-23171-L0	C-12
4V0-11351-00	B- 2	58T-13613-00	B- 6	39K-15111-00	B-11	4V0-18511-00	C- 2	24X-22261-00	C-10		C-12
39K-11400-00	B- 3	58T-13616-00	B- 6	5X2-15113-00	B-11	39K-18512-00	C- 2	24X-22262-00	C-10	39K-23173-00	C-12
39K-11412-00	B- 3	39K-13621-00	B- 6	39K-15121-00	B-11	4V0-18513-00	C- 2	39K-22401-00	C- 9		C-12
39K-11422-00	B- 3	58T-14101-00	B- 8	4J2-15363-00	B-12	5X5-18531-01	C- 2	22W-22409-00	C- 9	278-23181-50	C-12
39K-11611-00	B- 3	10W-14103-00	B- 8	3R4-15383-01	B-15	5X5-18535-01	C- 2	39K-22472-00	C- 9		C-13
	D-12	10W-14104-00	B- 9	58T-15411-00	B-12	22W-18540-00	C- 2	29L-22475-00	C- 9	58T-23184-L0	C-12
39K-11611-10	B- 3	22W-14106-00	B- 8	22W-15421-01	B-12	39K-21110-00-FH	C- 4	22W-22489-00	C- 9		C-13
	D-12	23L-14107-25	B- 8	22W-15451-00	B-12	5X2-21511-10	C- 5	5X2-22493-00	C- 9	39K-23340-L0-39	C-13
39K-11611-20	B- 3	2X6-14112-25	B- 8	5X2-15462-00	B-12	22W-21523-00	C- 5	3R4-22497-00	C- 9		C-11
	D-12	2X6-14112-30	B- 8	4V0-15618-00	B-13	22W-21611-10	C- 5	58T-23102-L0	C-12	122-23411-00	C-11
58T-11630-A0	D-12	2X6-14112-35	B- 8	22W-15620-00	B-13	39K-21620-00	C- 5	58T-23103-L0	C-12	122-23412-00	C-11
58T-11630-E0	D-12	3R1-14115-00	B- 8	4V0-15621-00	B-13	4V0-21621-00	C- 5	58T-23110-L0	C-12	122-23415-00-98	C-11
58T-11630-F0	D-12	2A6-14126-00	B- 9	58T-15641-00	B-13	39K-21711-10	C- 6		C-12	1E6-23441-00	C-11
58T-11631-00-94	B- 3	248-14131-00	B- 9	4V0-15651-00	B-13	39K-2172A-00	C- 6	58T-23111-L0	C-12	22W-23485-11	C-11
	D-12	3R1-14141-50	B- 8	22W-15660-00	B-13	39K-21721-10	C- 6		C-13	22W-24110-10	C-14
58T-11631-00-95	B- 3	3R1-14141-52	B- 8	4V0-15664-00	B-13	39K-2174F-00	C- 4	22N-23118-L0	D-11	22W-24110-10	C-14
4V1-11633-00	B- 3	3R1-14141-54	B- 8	5X2-16111-00	B-14	39K-21741-10	C- 6	58T-23118-L0	C-12	5X7-2412F-00	C-14
	D-12	260-14142-30	B- 8	4V1-16150-01	B-14	22W-21746-00	C- 6		C-13	22W-24158-00	C-14
	D-12	260-14142-35	B- 8	4V0-16154-00	B-14	39K-21781-10	B- 6	122-23119-01	C-12	3R3-24173-00	C-14
	D-12	260-14142-40	B- 8	21V-16321-00	B-14		C- 6		C-13	22W-24181-00	B- 5
5X2-11634-00	B- 3	137-14143-52	B- 8	598-16324-00	B-14	22W-21785-10	C-11	22W-23125-L0	C-12		C- 6
	D-12	137-14143-54	B- 8	4Y2-16351-01	B-14	22W-21791-00	C- 6		C-13	22W-24183-00	C-14
	D-12	137-14143-56	B- 8	137-16356-00	B-14	39K-22110-00-35	C- 7	39K-23126-L0	C-12	58T-24250-10	C-14
	D-12	137-14143-58	B- 8	2X3-16357-00	B-14	22W-22124-00	C- 7	122-23129-00	C-12	2K5-24500-00	C-14
58T-11635-00	B- 3	3R1-14153-00	B- 8	1V1-16371-02	B-14	401-22127-00	C- 7		C-13	1A0-24512-00	C-14
	D-12	2A6-14158-00	B- 9	58T-16382-00	B-14	401-22128-01	C- 7	39K-23136-L0	C-12	214-24512-00	C-14
58T-11636-00	B- 3	3X3-14169-00	B- 8	4V0-17121-00	B-15	22W-22129-00	C- 8	39K-23141-00	C-12	619-24535-00	C-14
	D-12	4U5-14171-00	B- 9	39K-17131-00	B-15		C- 9		C-13	5X7-24611-01	C-14
39K-11650-00	D-12	304-14184-00	B- 8	39K-17151-01	B-15	5X6-22129-00	C- 7	39K-23141-20	D-11	5X7-24612-00	C-14
39K-11651-00	B- 3	314-14185-00	B- 8	39K-17161-01	B-15	4V1-22141-00	C- 7	583-23142-00	C-12	22W-24770-10	C-15
	D-12	127-14186-00	B- 8	4V0-17211-00	B-15	39K-22151-00	C- 7		C-13	22W-24771-10	C-15
4V0-11681-00	B- 3	183-14196-00	B- 8	39K-17221-00	B-15	39K-2217A-00	C- 7	22W-23144-L0	C-12	39K-25104-00	D- 2
	D-12	39K-14401-01	B- 6	4V0-17231-00	B-15	22W-2217F-00	C- 8		C-13	39K-25111-00-98	D- 2
39K-12422-00	B- 4	43K-14402-00	B- 6	39K-17241-00	B-15	22W-22178-01	C- 4	22W-23145-L0	C-12	462-25118-00	D- 2
5X2-12428-00	B- 4	5X5-1441L-00	B- 6	39K-17251-01	B-15	5X1-2218A-00	C- 7		C-13	39K-25121-00-98	D- 2
39K-12446-00	B- 5	39K-14451-00	B- 6	39K-17261-01	B-15	4V4-22184-00	C- 4	22W-23146-L0	C-12	39K-25130-00	D- 2
22W-12450-00	B- 4	39K-14452-00	B- 6	4V0-17411-01	B-15	22W-22189-00	C-10		C-13		D- 3
5X2-12459-01	B- 4	39K-14453-00	B- 6	22W-17421-00	B-15	39K-22199-00	C- 7	509-23151-L0	C-12	451-25151-00	D- 2
39K-12460-00	B- 5	39K-14457-00	B- 6	164-17427-00-06	B-15	39K-22210-00-6W	C- 9		C-13	39K-25155-00	D- 2
22W-12462-00	B- 5	39K-14458-00	B- 6	174-17461-20	B-15	22W-22212-00-6W	D-11	22W-23153-L0	C-12	22W-25181-01	D- 2
22W-12463-00	B- 5	39K-14467-00	B- 6	174-17461-30	B-15	22W-22212-20-6W	C- 9		C-13	2J5-25183-00	D- 2
39K-12481-00	B- 5	4V2-14468-02	B- 6	174-17461-40	B-15	22W-22212-30-6W	D-11	22W-23157-L0	C-12	1T1-25194-00	D- 2
39K-12482-00	B- 5	58T-14610-00	B-10	174-17461-50	B-15	3R4-22213-00	C- 9		C-13	39K-25304-00	D- 3
4V2-12494-00	B- 5	22W-14613-00	B-10	22W-18101-00	C- 3	22W-22214-00	C- 9	509-23158-L0	C-12	39K-25311-00-98	D- 3
353-13115-01	B-11	39K-14718-00	B-10	22W-18110-00	C- 3	2X6-22216-00	C- 9		C-13	39K-25321-00-98	D- 3

NUMERICAL INDEX

PART NO.	GRID NO.	PART NO.	GRID NO.	PART NO.	GRID NO.	PART NO.	GRID NO.	PART NO.	GRID NO.	PART NO.	GRID NO.
3R0-25351-00	D- 3	39K-85550-20	D- 8	90201-06072	C-14	90384-18190	C- 7	90508-26464	B-13	92902-06100	D-10
3R0-25355-11	D- 3	58T-85580-20	D- 8	90201-061A5	B- 6	90385-17042	C- 7	90508-32468	D- 6	92902-12600	D- 6
39K-25381-09	D- 3	90101-06278	D- 3		B-10	90387-07392	B- 5	90508-32642	C- 3	92906-05100	D- 9
5H5-25389-00	D- 4	90101-06291	D- 2		D- 8	90387-07598	C-14	90560-12256	D- 3		D- 9
5X2-25394-00	D- 3	90101-08034	D- 4	90201-06557	C- 5		C-14	90560-12257	D- 2	92906-06600	B- 6
39K-25444-00	D- 3	90105-14137	C-11	90201-06570	B- 5	90387-10569	C- 8	91401-20015	D- 6		B-12
39K-25446-00	D- 3	90109-06576	D- 9	90201-06571	C- 6	90387-10660	C- 8	91401-25015	D- 6	93102-20143	B-15
39K-25448-00	D- 3		D- 9		C- 6		C- 9		D- 6	93102-20231	B- 3
39K-25450-00	D- 3	90109-08666	D- 6	90201-067A0	C- 4	90387-127J7	C- 7	91830-21014	B-12	93103-10113	B- 4
22W-26111-00	D- 5	90109-08706	D- 3	90201-08085	B- 4	90387-127J8	C- 7	91830-22016	B-11	93103-28126	B- 3
4V4-26241-01	D- 5	90109-10688	C- 8	90201-081A6	D- 3	90387-127J9	D- 4	92501-06012	B-11	93106-18013	D- 2
4V4-26242-01	D- 5	90109-10689	C- 8	90201-082A9	D- 9	90387-20163	B-14		C-11	93106-20002	D- 3
22W-26243-00	D- 5		C- 9		D- 9	90430-06016	B-12		C-14	93109-12012	C- 3
5X2-2628H-01	D- 5	90109-10690	C- 7	90201-08649	B- 2	90430-06166	B- 2	92501-06014	C- 6	93109-14021	B-14
5X2-26281-00	D- 5	90109-10729	C- 9	90201-08730	C- 5		B- 4		C- 6	93109-15001	B-13
322-26282-00-98	D- 5	90116-08438	B- 2	90201-100E9	C- 7	90430-12038	B-11		D- 8	93109-16035	C- 8
22W-26311-00	D- 5	90119-06063	C- 5	90201-10144	D- 7	90445-08376	B-11	92501-06020	D-10	93109-17048	C- 7
39K-26335-00	D- 5	90119-06073	C-14	90201-102A2	D- 6	90445-09304	C-14	92501-06035	B-11	93210-14104	B-12
39K-26341-00	D- 5		C-14	90201-10591	D- 8	90445-16673	B- 7	92501-06045	B-11	93210-16275	B- 5
382-26372-01	D- 5	90119-06080	B- 5	90201-10614	B- 4	90460-22252	B- 5	92502-06016	C- 5	93210-18288	B- 8
	D- 5	90119-06085	B- 7	90201-12174	D- 2	90460-31253	B- 5	92506-06008	B-12	93306-00104	D- 2
22W-27211-00	D- 6	90123-08013	D- 5	90201-12469	C- 7	90460-43053	B- 6	92506-06016	B- 5		D- 3
39K-27231-00	D- 6	90149-06011	C-14	90201-12631	B-13	90460-51059	B- 6		B- 6	93306-00105	D- 2
22W-27311-00-R4	D- 6	90153-06045	B- 2	90201-14411	B-14	90460-58015	B- 6	92506-06020	B- 4		D- 3
22W-27321-00	D- 6	90159-05100	C- 6	90201-154A1	B-13	90462-05005	D- 8	92506-06025	B-12	93306-20333	B-15
22W-27411-00-90	D- 6	90159-05101	C- 6	90201-191J4	C- 7	90462-14055	C-11	92506-06030	B-12	93306-20401	B-15
22W-27421-00-90	D- 6	90159-06033	B- 7	90202-06010	B-10	90464-20031	D- 9	92506-06040	B-12	93306-20438	B- 3
5X2-27422-01-33	D- 6	90159-06060	C-11		C-14	90467-08004	B- 5	92506-06060	B- 4	93306-30101	D- 3
39K-28100-00	C- 4	90170-20213	C- 9	90206-12082	C- 9	90467-16063	B- 7	92701-06012	B-15	93310-312M5	B- 3
39K-82310-40	D-10	90175-06016	D- 6	90208-12015	B-14	90468-26046	B-13	92901-06100	B- 6		D-12
1M1-82370-21	D-10	90179-08148	D- 5		B-14	90480-12053	C- 6		B-10	93310-418M6	B- 3
5X1-82519-00	D- 9	90179-12244	B-14	90209-06187	C- 5	90480-13197	B- 7		C- 6		D-12
688-82535-00	D- 5	90179-12335	B-14	90209-18112	B- 3	90480-15064	B- 5		C- 6	93315-21429	B-14
38V-82911-00	D- 9	90179-25033	C-11		D-12	90480-17359	C-10		C-11	93315-31502	B-15
38V-82913-00	D- 9	90185-08113	C- 4	90240-06040	D- 6	90480-18290	C-14		C-14	93317-11245	B-15
	D- 9		C- 5	90240-08097	D- 6		C-14		C-14	93317-21746	C- 7
38V-82921-00	D- 9		C- 7		D- 6	90501-10245	D- 6	92901-06200	D- 6	93332-00059	C-11
23X-83912-00	D- 9	90185-10110	C- 7	90249-12008	D- 6	90501-12081	B-13	92901-06700	C- 4	93410-12003	B-13
23X-83922-00	D- 9		C- 8	90250-06013	C- 2	90501-204A0	B-14	92901-08100	C-13	93410-18062	B-15
437-83936-00	C- 5		C- 8	90280-03017	B- 3	90504-03033	B- 6	92901-10600	C- 8	93410-20038	B-15
	D- 9		C- 9	90282-05001	B-14	90506-14081	D- 2		C- 8	93430-08007	B-13
437-83936-10	D- 5		C- 9	90338-07011	B-11		D- 3		C- 9	93430-09019	D- 6
	D- 8	90185-12046	D- 2	90340-12095	B-11	90506-28100	D- 6		C- 9	93430-10016	C- 3
22W-83976-00	D- 9		D- 3	90380-12094	C- 7	90507-20030	B-10	92902-04100	B- 8	93440-15012	B-15
58T-85510-20	D- 8	90185-12119	C- 7	90380-16109	C- 7	90508-18463	B-14		D- 8	93440-16089	B-15
58T-85540-20	D- 8	90201-05775	B-14	90381-08002	B- 4	90508-20023	D- 6		D- 8	93440-42101	C- 9
58T-85541-20	D- 8	90201-06067	C- 7	90383-16023	C- 8		D- 7		D- 8	93503-16010	B-14
2A7-85546-00	D- 8	90201-06072	C-14		C- 8	90508-26462	C- 2	92902-06100	C- 5		C-11

NUMERICAL INDEX

PART NO.	GRID NO.	PART NO.	GRID NO.	PART NO.	GRID NO.	PART NO.	GRID NO.	PART NO.	GRID NO.
93507-32009	B-13	98501-04005	C- 9						
93603-22028	B- 4	98501-04014	D- 8						
93604-10011	B- 4	98506-04008	D- 8						
93604-26132	C- 9	98506-05016	D- 5						
93608-30128	C- 3	98506-05018	D- 9						
94108-17365	D- 2		D- 9						
94111-14364	D- 3	98511-04016	B- 8						
94227-17152	D- 2	98511-04025	D- 8						
94241-14175	D- 3	98606-04012	D- 5						
94327-17103	D- 2	98701-05020	B-14						
94336-14102	D- 3	98906-06008	B-10						
94414-17374	D- 2	99001-07600	B- 4						
94416-14375	D- 3								
94580-24112	D- 4								
94680-24001	D- 4								
95021-08012	C- 4								
95301-06600	D- 2								
	D- 3								
95301-06700	D- 6								
95301-08700	D- 4								
	D- 6								
95311-08600	B- 2								
95311-10600	D- 8								
95606-06100	D- 9								
	D- 9								
95611-08100	D- 3								
95702-10500	B-13								
95801-06025	C- 7								
95801-08020	C- 5								
95801-08025	C- 5								
95801-08035	C-11								
95811-08125	C- 4								
95811-08135	C- 4								
95821-08030	C-11								
95821-08040	C- 7								
95821-10016	D- 6								
95826-06020	B- 4								
97301-06012	B- 6								
	C-14								
	D- 6								
97301-06016	B-10								
	C- 4								
97301-06025	B- 6								
97311-10022	D- 7								
97321-06020	C- 3								
97321-08040	C-13								
97602-03108	B- 6								
97702-40116	B- 6								