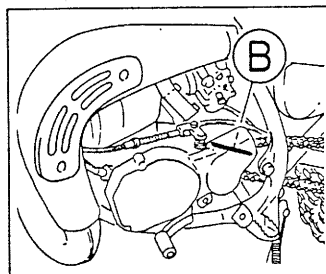
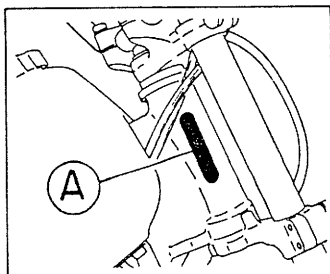


YAMAHA

PARTS CATALOGUE

Initial Serial No. and Color Code

(A) Frame Serial No.	2VE-000101 and following
(B) Engine Serial No.	2VE-000101 and following



('88)
YZ80U (2VE)

Color Code	Color Name	Abbreviate
36	CLEAN WHITE	W

282VE-100E1



CYLINDER

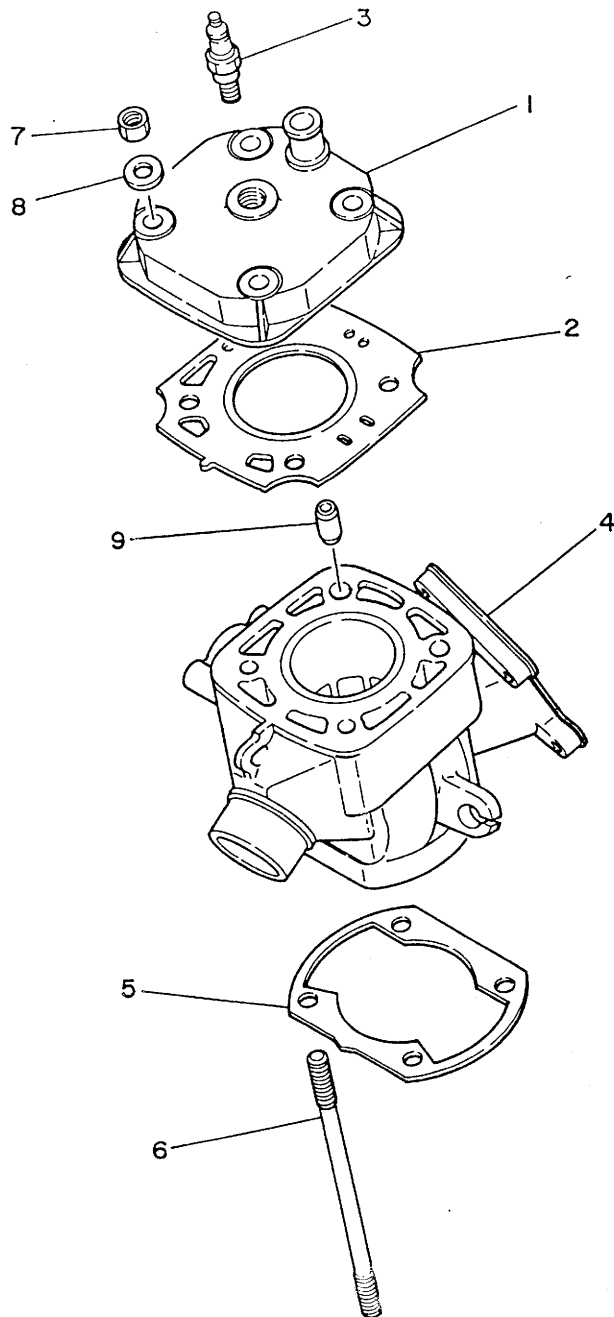


FIG. 1 CYLINDER

REF. NO.	PART NO.	DESCRIPTION	Q'TY	REMARKS
1	2VE-11111-00	HEAD, cylinder 1	1	
2	1LR-11181-00	GASKET, cylinder head 1	1	
3	BR9EG	PLUG, spark	1	
4	2HF-11311-01	CYLINDER 1	1	
5	4V0-11351-00	GASKET, cylinder	1	
6	90116-08402	BOLT, stud	4	
7	90176-08026	NUT, crown	4	
8	90201-08087	WASHER, plate	4	
9	99510-10114	PIN, dowel	2	



CRANKSHAFT & PISTON

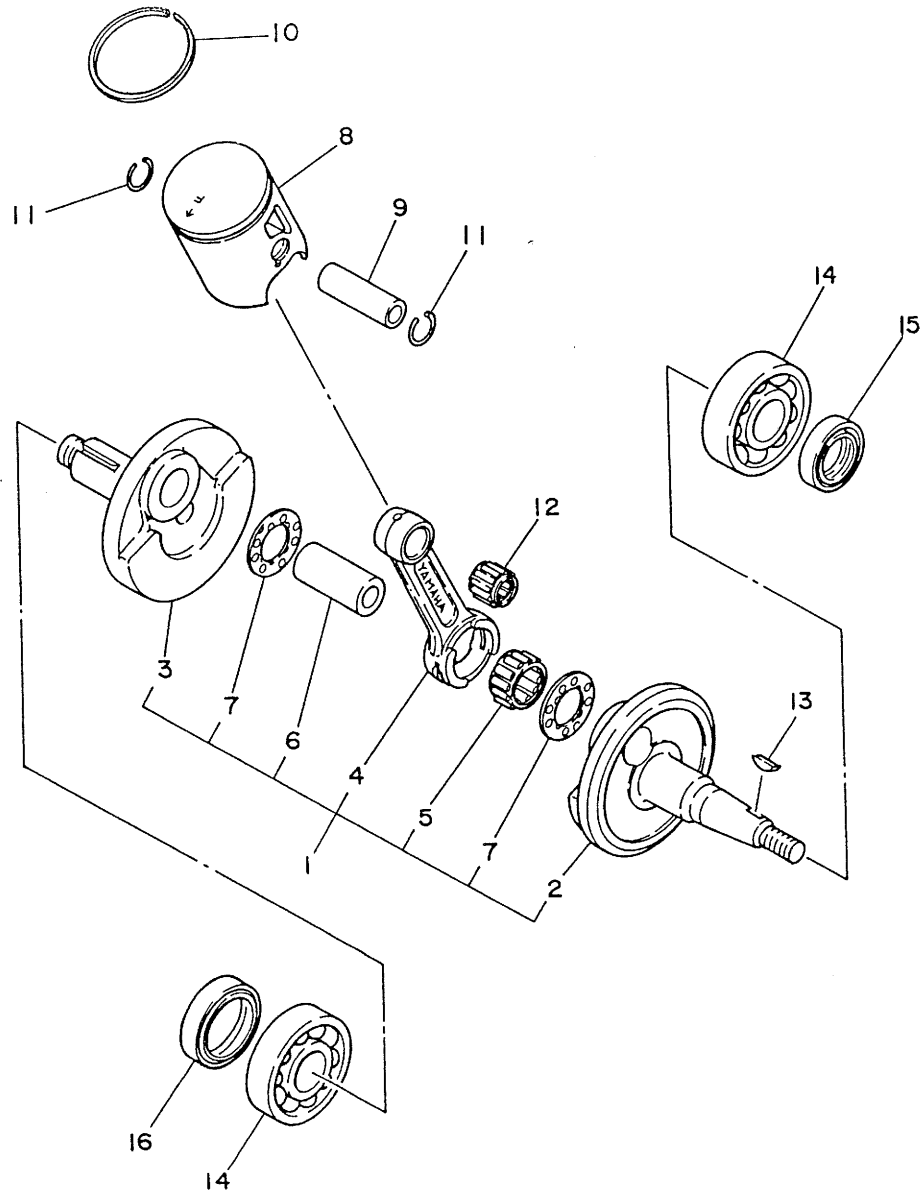


FIG. 2 CRANKSHAFT. PISTON

REF. NO.	PART NO.	DESCRIPTION	Q'TY	REMARKS
1	1LR-11400-00	CRANKSHAFT ASSY	1	
2	39K-11412-00	.CRANK 1	1	
3	39K-11422-00	.CRANK 2	1	
4	1LR-11651-00	.ROD, connecting	1	
5	93310-418M6	.BEARING, cylindrical	1	
6	4V0-11681-00	.PIN, crank 1	1	
7	90209-18112	.WASHER	2	
8	2VE-11631-00-94	PISTON (STD)	1	UR
	2VE-11631-00-95	PISTON (STD)	1	UR
	2VE-11635-00	PISTON (0.25MM O/S)	1	
	2VE-11636-00	PISTON (0.50MM O/S)	1	
9	4V1-11633-00	PIN, piston	1	
10	39K-11611-00	RING, piston	1	STD
	39K-11611-10	RING, piston	1	
	39K-11611-20	RING, piston	1	
11	5X2-11634-00	CLIP, piston pin	2	
12	93310-312M5	BEARING, cylindrical	1	
13	90280-03045	KEY, woodruff	1	
14	93306-20454	BEARING	2	
15	93102-20231	OIL SEAL	1	
16	93103-28011	OIL SEAL	1	



WATER PUMP

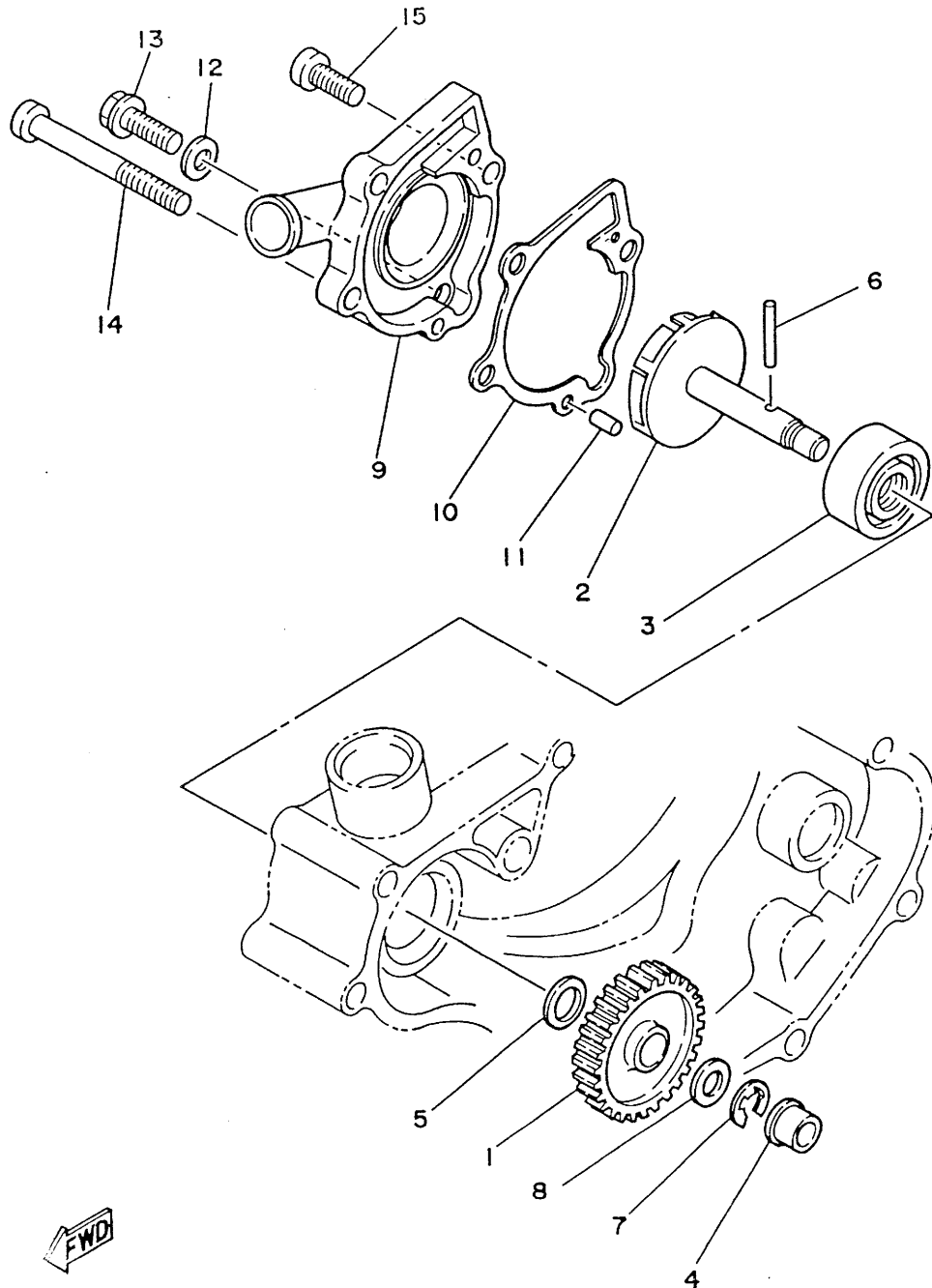


FIG. 3 WATER PUMP

REF. NO.	PART NO.	DESCRIPTION	Q'TY	REMARKS
1	1LR-12459-00	GEAR, impeller shaft	1	
2	22W-12450-00	IMPELLER SHAFT ASSY	1	
3	93103-10147	OIL SEAL	1	
4	90381-08002	BUSH, solid	1	
5	90201-10614	WASHER, plate	1	
6	93603-22028	PIN, dowel	1	
7	99001-07600	CIRCLIP	1	
8	90201-08085	WASHER, plate	1	
9	2VE-12422-00	COVER, housing	1	
10	5X2-12428-00	GASKET, housing cover 2	1	
11	93604-10011	PIN, dowel	2	
12	90430-06192	GASKET	1	
13	95826-06020	BOLT, flange	1	
14	92506-06060	SCREW, pan head	2	
15	92506-06020	SCREW, pan head	1	



RADIATOR & HOSE

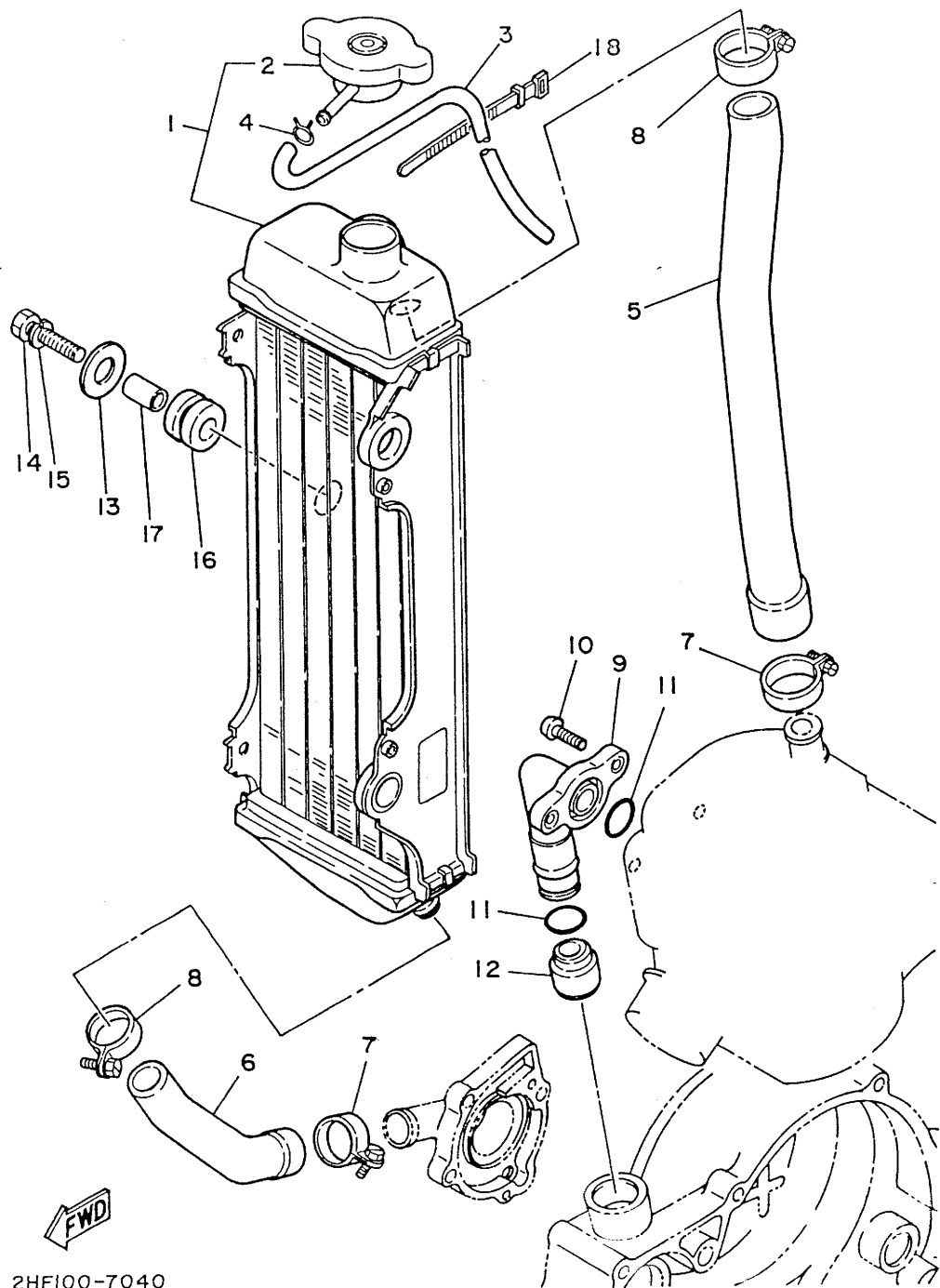
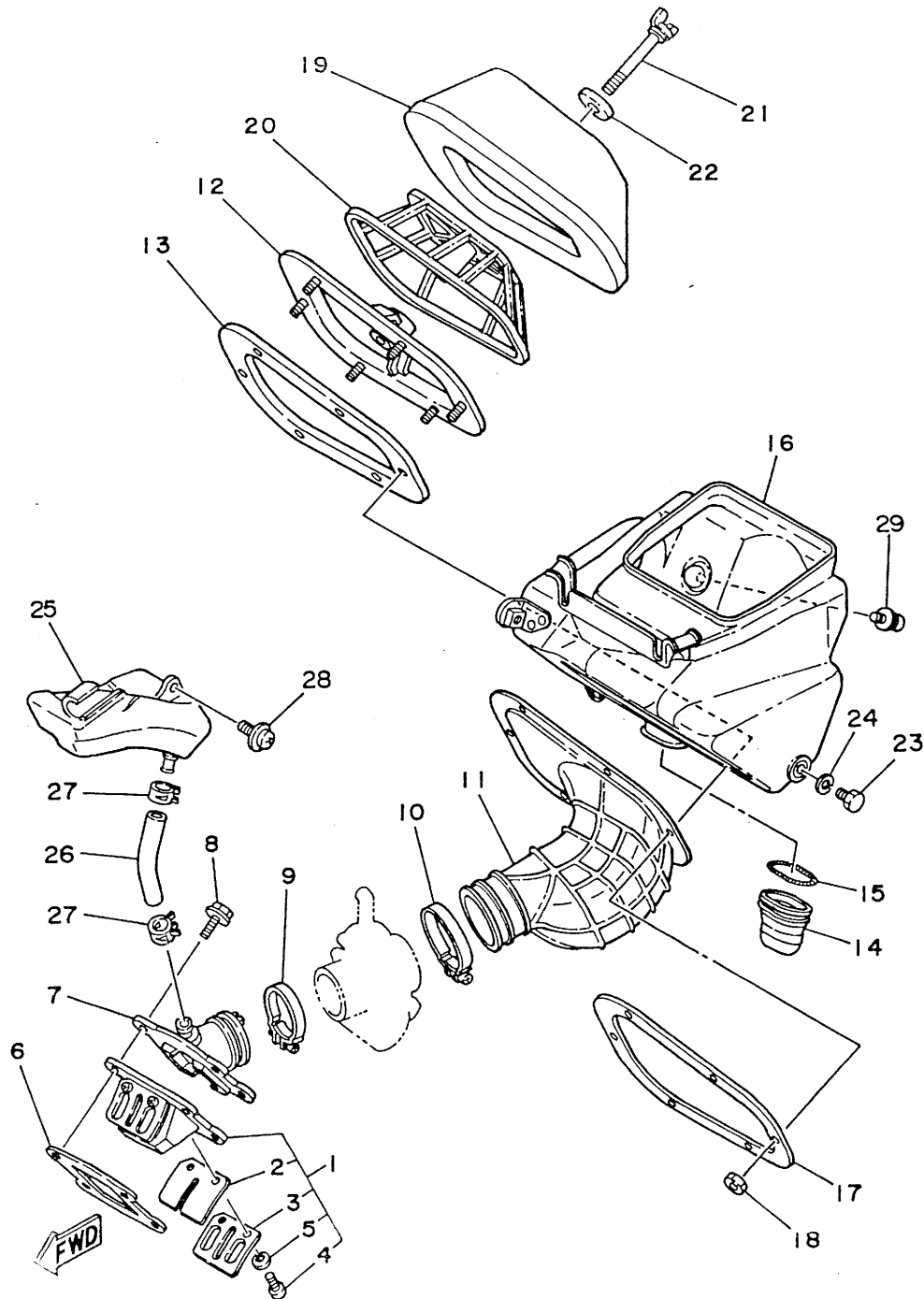


FIG. 4 RADIATOR, HOSE

REF. NO.	PART NO.	DESCRIPTION	Q'TY	REMARKS
1	2HF-12460-00	RADIATOR ASSY	1	
2	22W-12462-00	.CAP, radiator	1	
3	22W-12463-00	PIPE, breather	1	
4	90467-08004	CLIP	1	
5	39K-12481-00	PIPE 1	1	
6	39K-12482-00	PIPE 2	1	
7	90450-28014	HOSE CLAMP ASSY	2	
8	90450-22017	HOSE CLAMP ASSY	2	
9	2VE-12446-00	JOINT	1	
10	92506-06016	SCREW, pan head	2	
11	93210-16716	O-RING	2	
12	4V2-12494-00	SEAL, pipe 1	1	
13	90201-061H3	WASHER, plate	3	
14	97001-06030	BOLT	3	
15	92990-06100	WASHER, spring	3	
16	90480-15064	GROMMET	3	
17	90387-07392	COLLAR	3	
18	437-83936-00	BAND, switch cord	1	

INTAKE



2HF100-7050

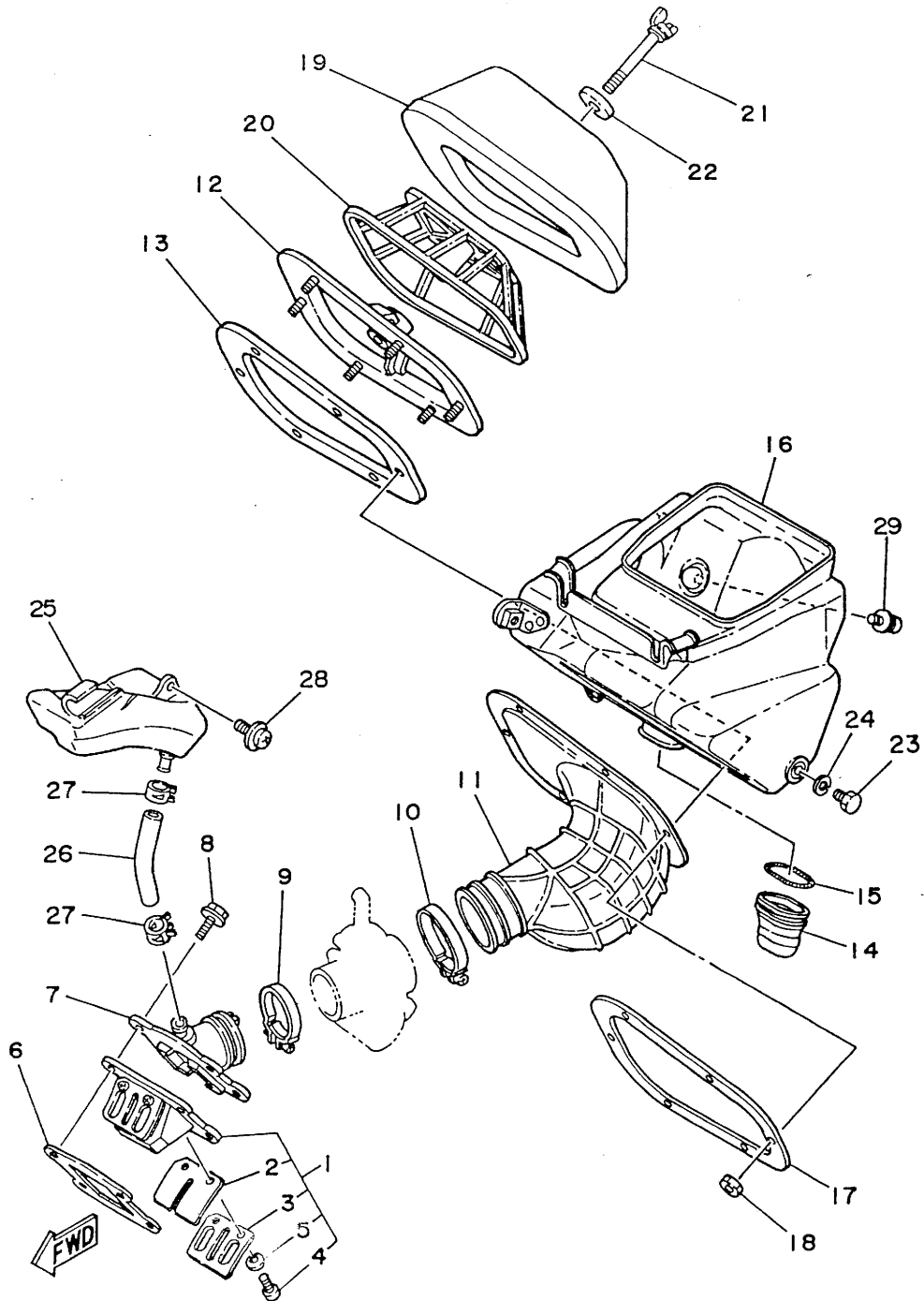
FIG. 5 INTAKE

REF. NO.	PART NO.	DESCRIPTION	Q'TY	REMARKS
1	2HF-13610-00	REED VALVE ASSY	1	
2	2HF-13613-00	.REED, valve	2	
3	58T-13616-00	.STOPPER, reed valve	2	
4	98501-03008	.SCREW, pan head	4	
5	92990-03100	.WASHER, spring	4	
6	1LR-13621-00	GASKET, valve seat	1	
7	1LR-13565-00	JOINT, carburetor	1	
8	95026-06020	BOLT, flange	4	
9	90460-43053	CLAMP, hose	1	
10	90460-51059	CLAMP, hose	1	
11	2HF-14453-00	JOINT, air cleaner 1	1	
12	2HF-14459-00	HOLDER, guide	1	
13	2HF-14462-00	SEAL	1	
14	39K-14457-00	SEAL	1	
15	90504-03033	SPRING, compression	1	
16	2HF-W1441-00	AIR CLEANER CASE	1	
17	2HF-14477-00	PLATE	1	
18	95601-05100	NUT, u	6	
19	2HF-14451-00	ELEMENT, air cleaner	1	
20	2HF-14458-00	GUIDE	1	
21	90122-06013	BOLT, wing	1	
22	90209-06096	WASHER	1	
23	97313-06012	BOLT	1	
24	92990-06100	WASHER, spring	1	
25	22W-13581-00	CHAMBER, air	1	
26	90445-164E1	HOSE	1	
27	90467-16063	CLIP	2	
28	90159-06033	SCREW, with washer	1	

INTAKE

FIG. 5 INTAKE

REF. NO.	PART NO.	DESCRIPTION	Q'TY	REMARKS
29	90119-06085	BOLT, with washer	1	



CARBURETTOR

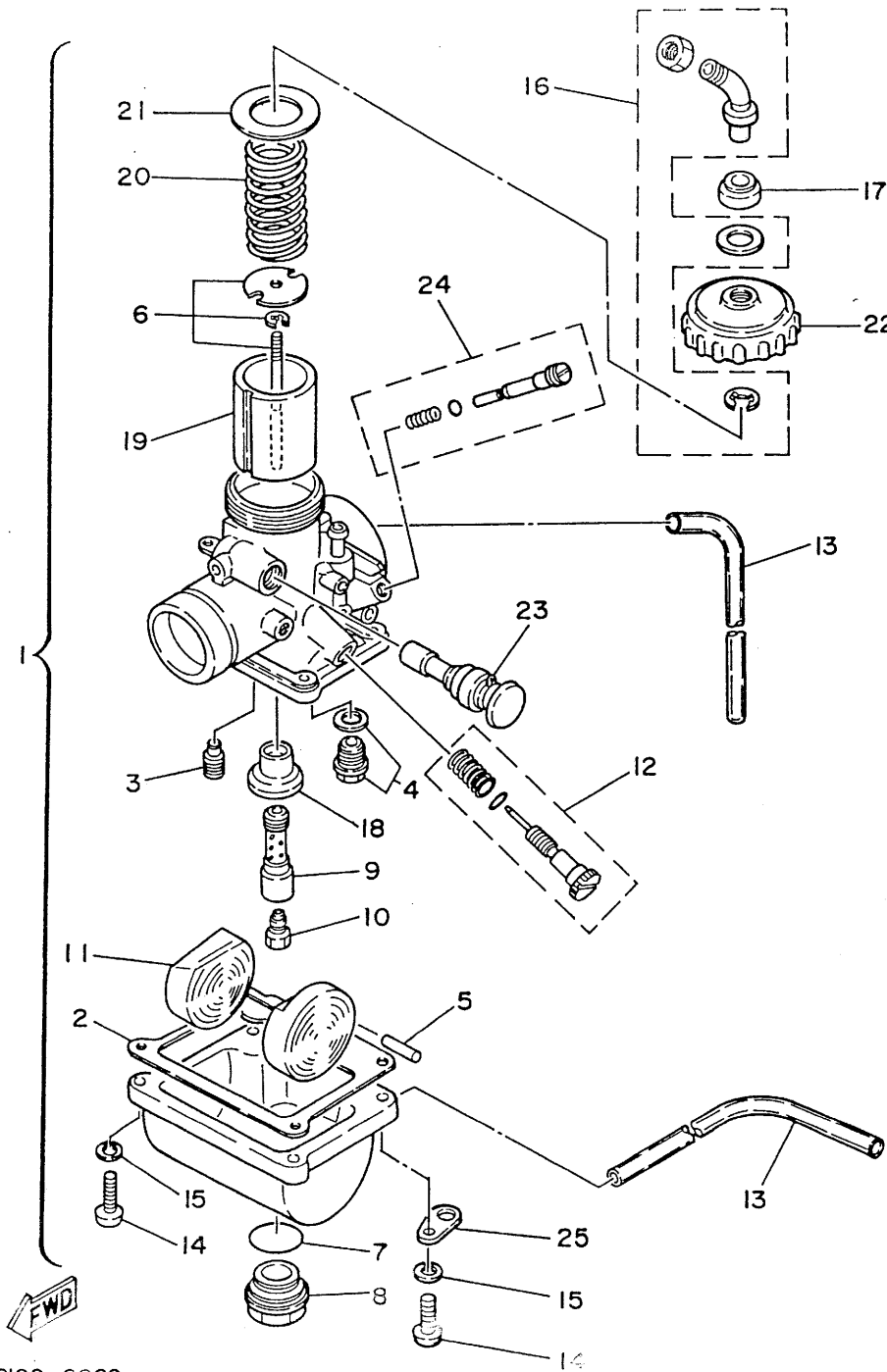


FIG. 6 CARBURETOR

REF. NO.	PART NO.	DESCRIPTION	Q'TY	REMARKS
1	1LR-14101-00	CARBURETOR ASSY 1	1	
2	304-14184-00	.GASKET, float chamber	1	
3	260-14142-35	.JET, pilot (# 35)	1	STD
	260-14142-30	.JET, pilot (# 30)	1	
	260-14142-40	.JET, pilot (# 40)	1	
4	23L-14107-25	.NEEDLE VALVE SET	1	
5	127-14186-00	.PIN, float	1	
6	58T-1490J-00	.NEEDLE SET	1	
7	93210-18288	.O-RING	1	
8	3R1-14115-00	.PLUG, screw	1	
9	3R1-14141-52	.NOZZLE, main	1	STD
	3R1-14141-50	.NOZZLE, main	1	
	3R1-14141-54	.NOZZLE, main	1	
10	137-14143-56-A0	.JET, main (#280)	1	STD
	137-14143-54	.JET, main (#270)	1	
	137-14143-58-A1	.JET, main (#290)	1	
	137-14143-60-A0	.JET, main (#300)	1	
11	314-14185-00	.FLOAT	1	
12	31J-14103-00	.THROTTLE SCREW SET	1	
13	53V-14196-00	.PIPE	3	
14	98511-04016	.SCREW, pan head	4	
15	92990-04100	.WASHER, spring	4	
16	22W-14106-00	.CABLE ADJUST SCREW SET	1	
17	3X3-14169-00	.CAP	1	
18	39K-14153-00	.WASHER, main jet	1	
19	2X6-14112-30	.VALVE, throttle 1	1	STD
	2X6-14112-25	.VALVE, throttle 1	1	
	2X6-14112-35	.VALVE, throttle 1	1	

CARBURETTOR

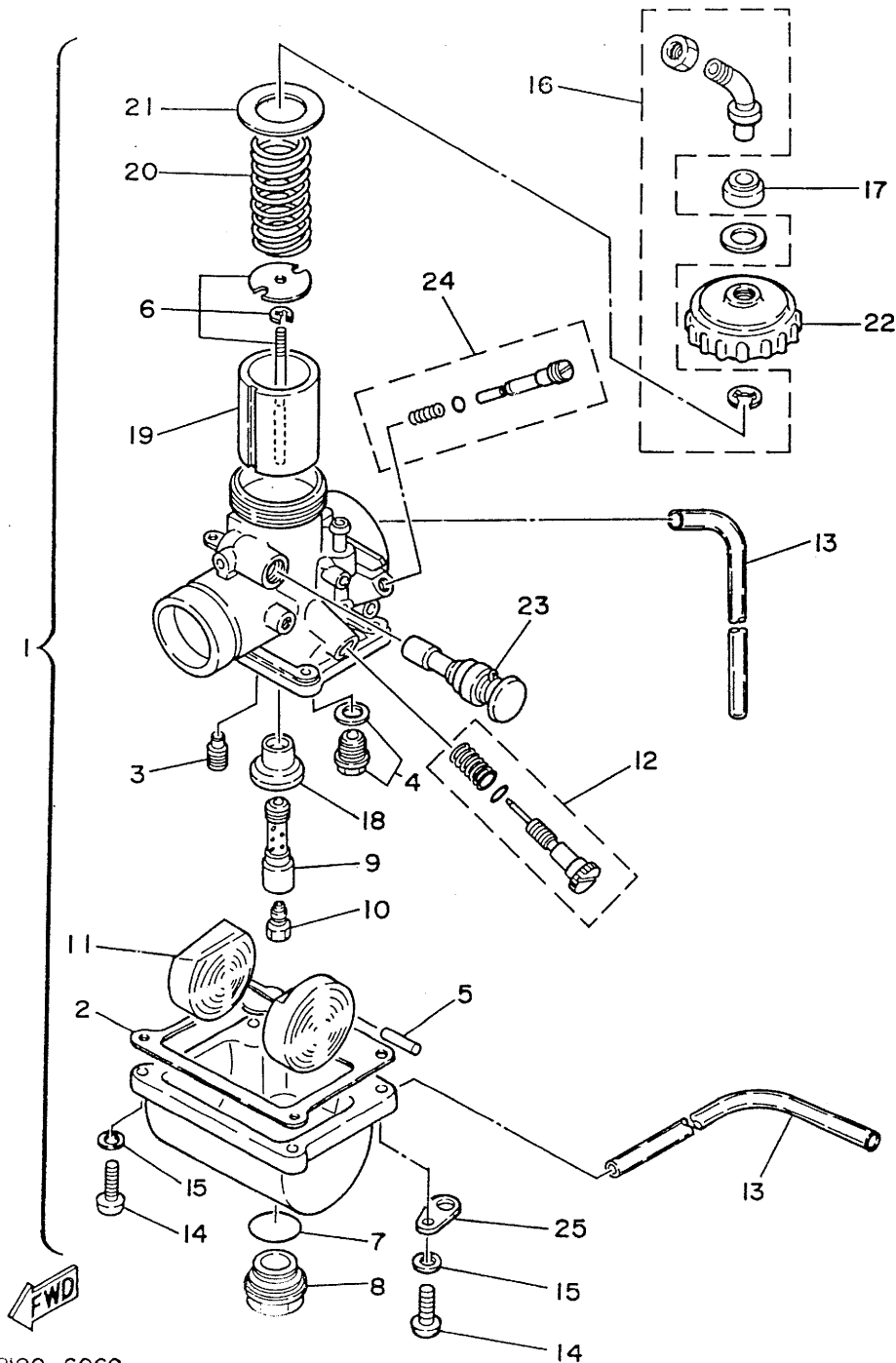


FIG. 6 CARBURETOR

REF. NO.	PART NO.	DESCRIPTION	Q'TY	REMARKS
20	248-14131-00	.SPRING, throttle valve	1	
21	2A6-14126-00	.GASKET	1	
22	2A6-14158-00	.TOP, mixing chamber	1	
23	4U5-14171-00	.PLUNGER, starter	1	
24	10W-14104-00	.AIR SCREW SET	1	
25	132-14146-00	.PLATE	1	

EXHAUST

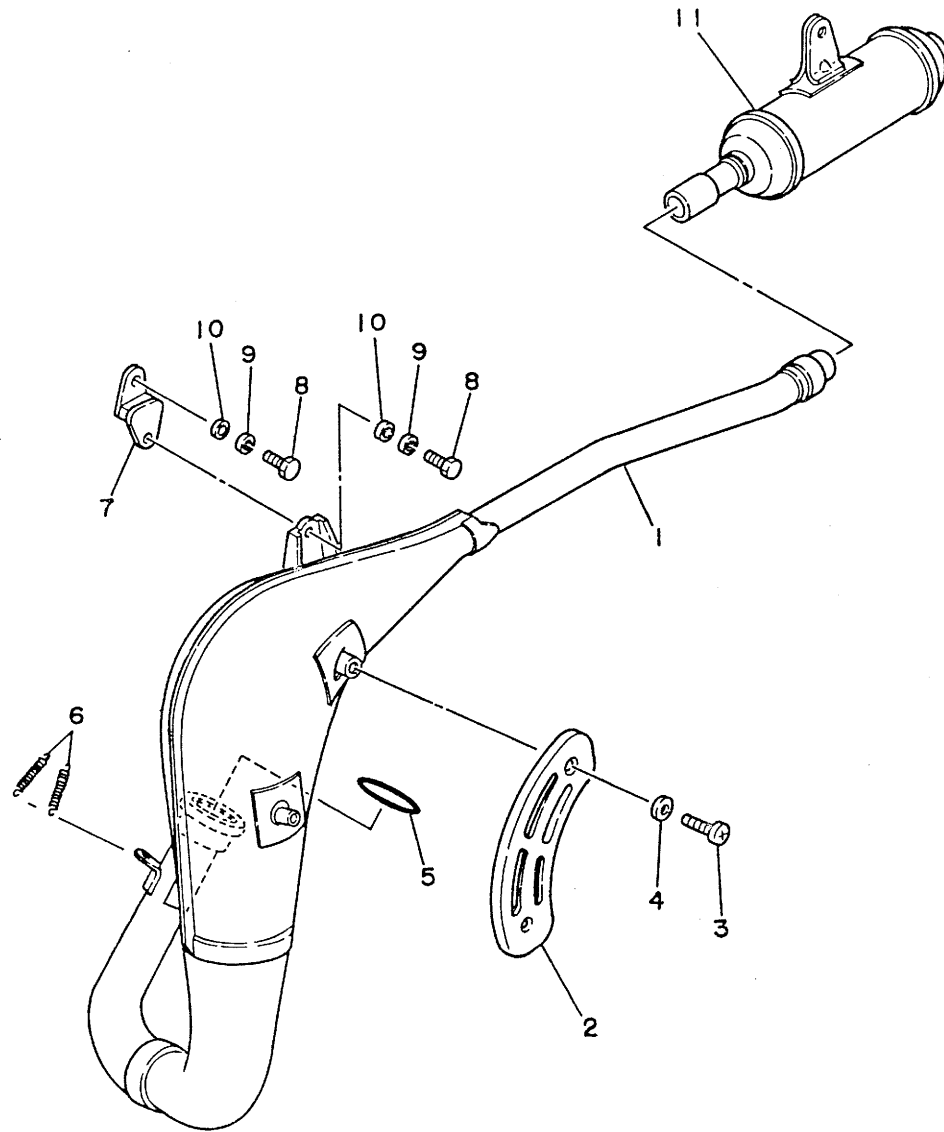


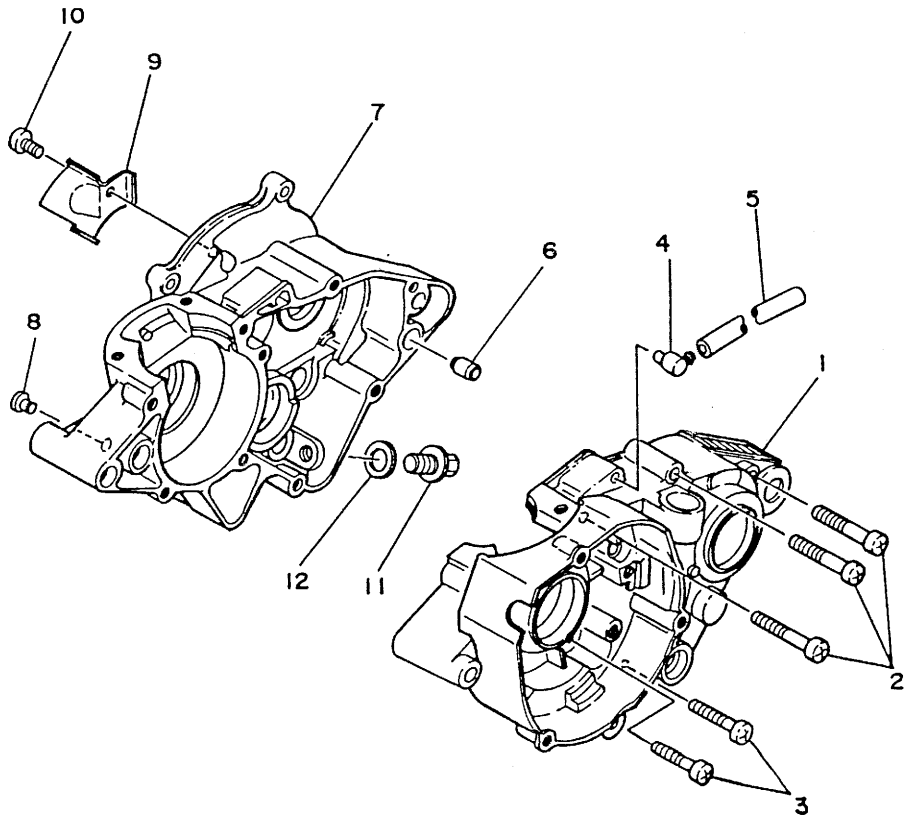
FIG. 7 EXHAUST

REF. NO.	PART NO.	DESCRIPTION	Q'TY	REMARKS
1	2HF-14610-01	EXHAUST PIPE ASSY 1	1	
2	39K-14718-00	PROTECTOR, muffler 1	1	
3	98906-06008	SCREW, bind	2	
4	90202-06010	WASHER, plate	2	
5	93210-40745	O-RING	1	
6	90507-20030	SPRING, tension	2	
7	565-14771-00	STAY, muffler 1	1	
8	97313-06016	BOLT	2	
9	92990-06100	WASHER, spring	2	
10	90201-061A5	WASHER, plate	2	
11	1LR-14753-00	SILENCER, exhaust	1	



CRANKCASE

FIG. 8 CRANKCASE



REF. NO.	PART NO.	DESCRIPTION	Q'TY	REMARKS
1	2VE-15111-00	CRANKCASE 1	1	
2	92503-06045	SCREW, pan head	6	
3	92501-06035	SCREW, pan head	3	
4	353-13115-01	CONNECTOR, suction pipe	1	
5	90445-08376	HOSE	1	
6	99510-12016	PIN, dowel	2	
7	2VE-15121-00	CRANKCASE 2	1	
8	90338-07011	PLUG	1	
9	5X2-15113-01	PLATE	1	
10	92501-06012	SCREW, pan head	1	
11	90340-12059	PLUG, straight screw	1	
12	90430-12038	GASKET	1	



CRANKCASE COVER 1

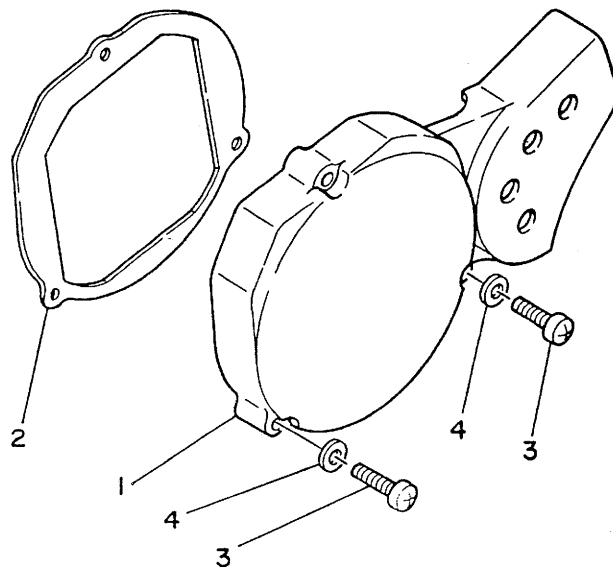
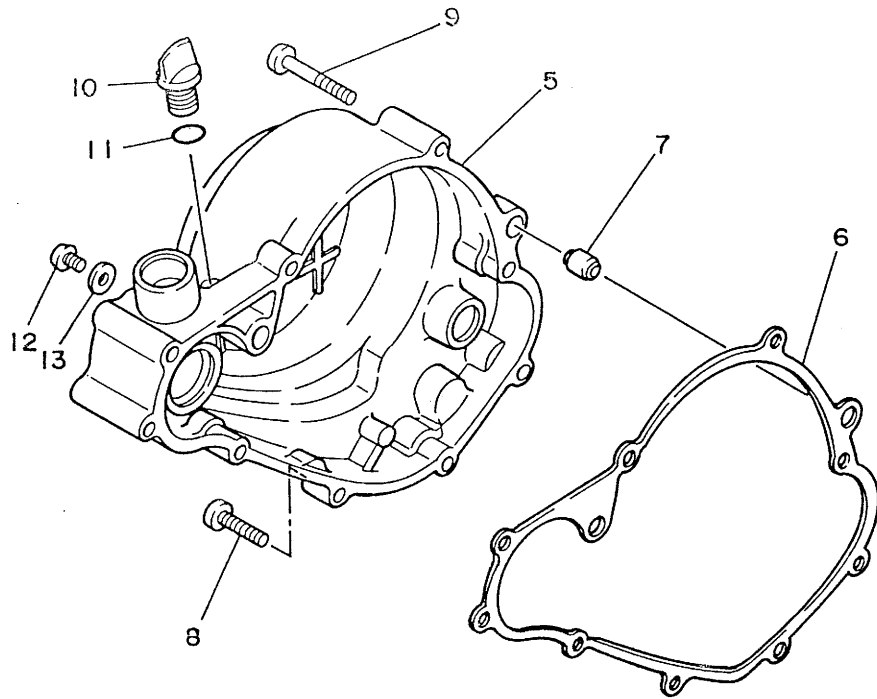


FIG. 9 CRANKCASE COVER 1

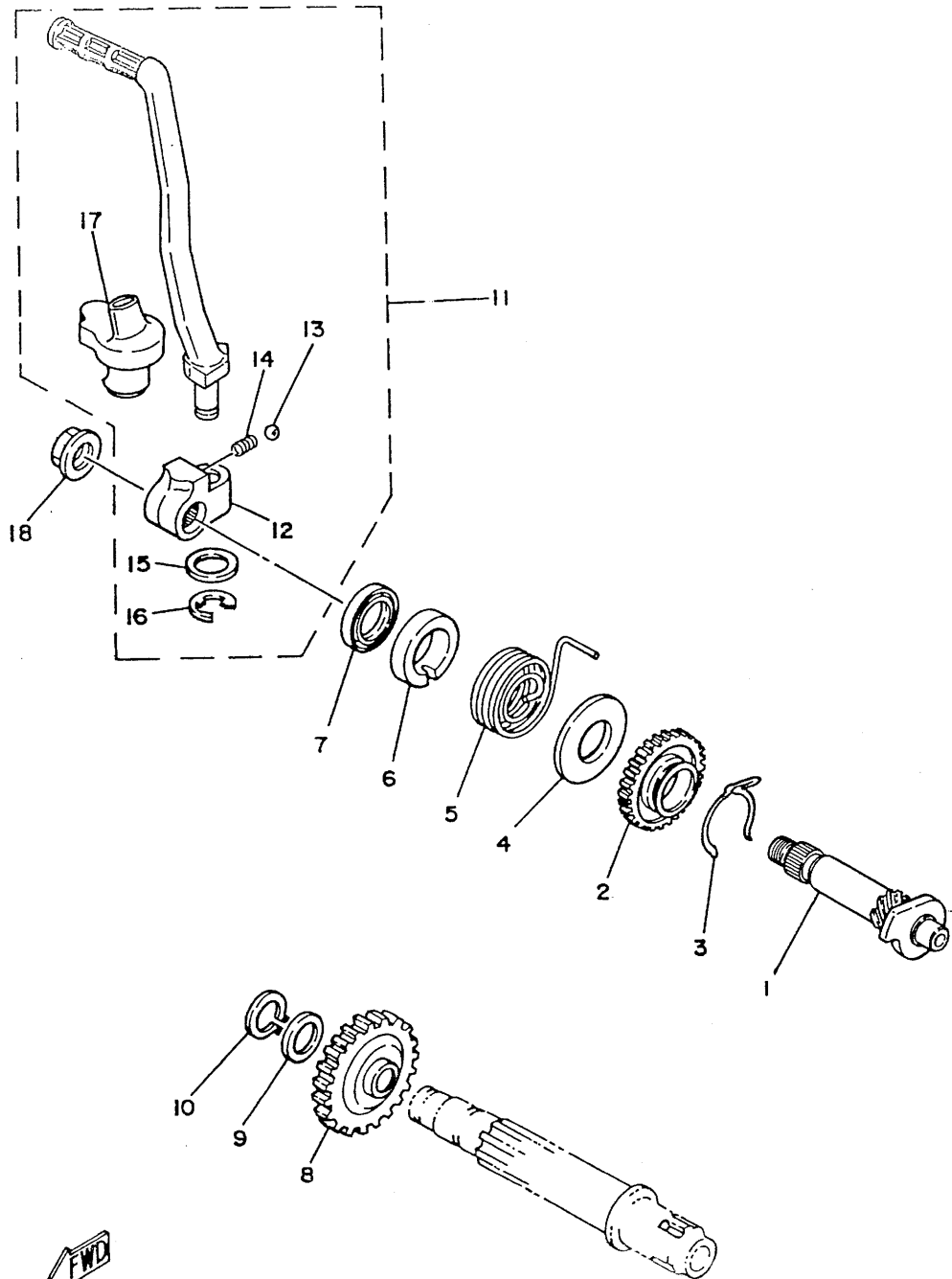
REF. NO.	PART NO.	DESCRIPTION	Q'TY	REMARKS
1	2VE-15411-00	COVER, crankcase 1	1	
2	22W-15451-01	GASKET, crankcase cover 1	1	
3	92516-06030	SCREW, pan head	3	
4	92906-06600	WASHER, plate	3	
5	2VE-15421-00	COVER, crankcase 2	1	
6	5X2-15462-00	GASKET, crankcase cover 3	1	
7	99530-10014	PIN, dowel	2	
8	92506-06025	SCREW, pan head	6	
9	92506-06040	SCREW, pan head	1	
10	4J2-15363-00	PLUG, oil	1	
11	93210-14104	O-RING	1	
12	92506-06008	SCREW, pan head	1	
13	90430-06016	GASKET	1	



STARTER

FIG. 10 STARTER

REF. NO.	PART NO.	DESCRIPTION	Q'TY	REMARKS
1	22W-15660-00	KICK AXLE ASSY	1	
2	4V0-15641-00	GEAR, kick (24T)	1	
3	90468-26046	CLIP	1	
4	90201-154A1	WASHER, plate	1	
5	90508-26464	SPRING, torsion	1	
6	4V0-15664-00	GUIDE, spring	1	
7	93109-15001	OIL SEAL	1	
8	4V0-15651-00	GEAR, sprocket idle (25T)	1	
9	90201-12M34	WASHER, plate	1	
10	99009-12400	CIRCLIP	1	
11	22W-15620-00	KICK CRANK ASSY	1	
12	4V0-15621-00	.BOSS, kick crank	1	
13	7/32 inch	.BALL	1	
14	90501-12081	.SPRING, compression	1	
15	90201-12631	.WASHER, plate	1	
16	93430-08007	.CIRCLIP	1	
17	4V0-15618-00	.COVER, kick lever	1	
18	95701-10500	NUT, flange	1	



CLUTCH

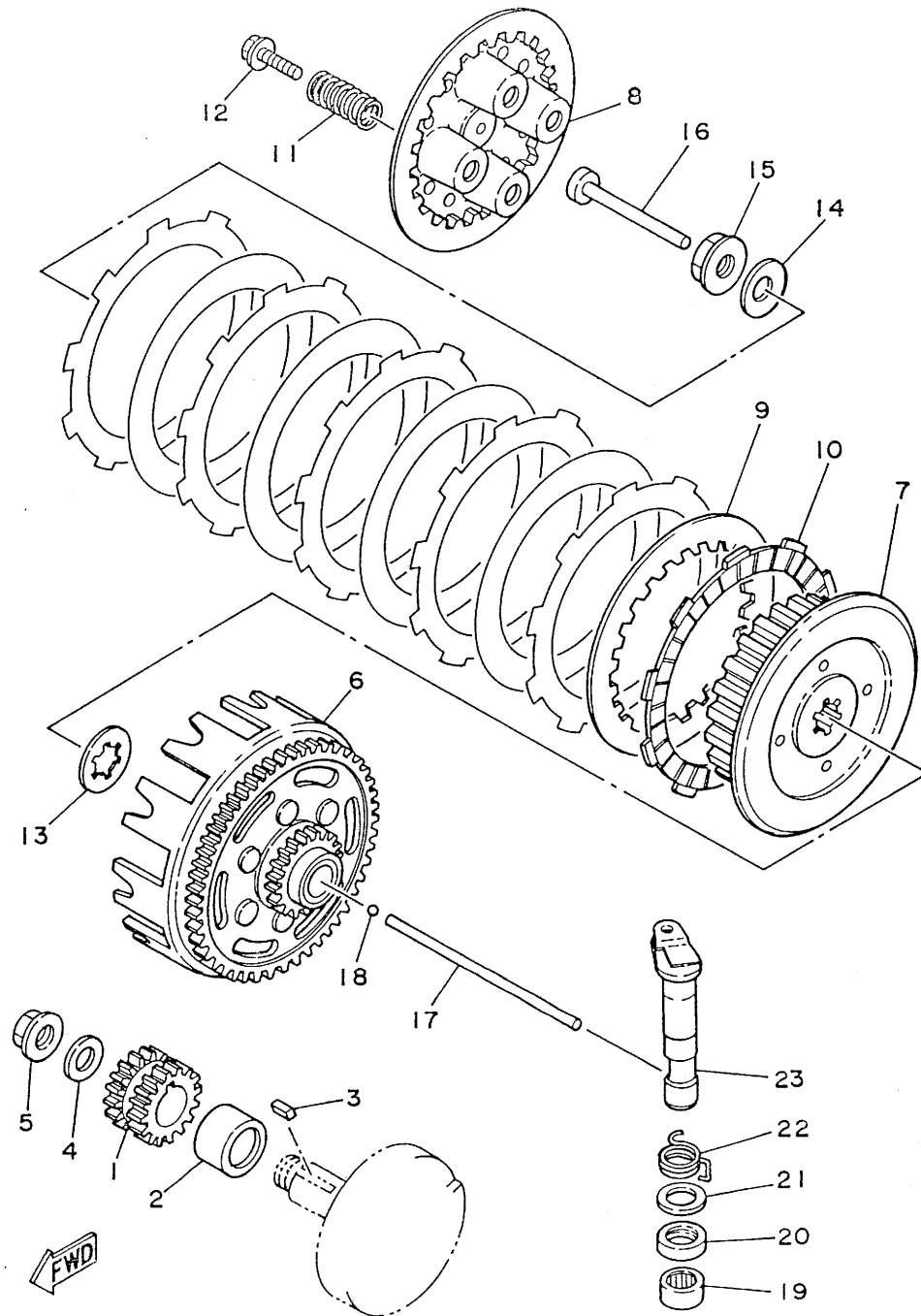


FIG. 11 CLUTCH

REF. NO.	PART NO.	DESCRIPTION	Q'TY	REMARKS
1	1LR-16111-00	GEAR, primary drive	1	
2	90387-202F0	COLLAR	1	
3	90282-05001	KEY, straight	1	
4	90208-12015	WASHER, conical spring	1	
5	90179-12335	NUT	1	
6	1LR-16150-00	PRIMARY DRIVEN GEAR	1	
7	1LR-16371-00	BOSS, clutch	1	
8	1LR-16351-00	PLATE, pressure 1	1	
9	257-16324-00	PLATE, clutch 1	5	
10	21V-16321-00	PLATE, friction	6	
11	90501-204A0	SPRING, compression	4	
12	90159-05011	SCREW, with washer	4	
13	4V0-16154-00	PLATE, thrust 1	1	
14	90208-12015	WASHER, conical spring	1	
15	90179-12244	NUT	1	
16	137-16356-00	ROD, push 1	1	
17	2X3-16357-00	ROD, push 2	1	
18	3/16 inch	BALL	1	
19	93315-21429	BEARING, cylindrical	1	
20	93109-14021	OIL SEAL	1	
21	90201-14411	WASHER, plate	1	
22	90508-18463	SPRING, torsion	1	
23	58T-16382-00	AXLE, push lever	1	

TRANSMISSION

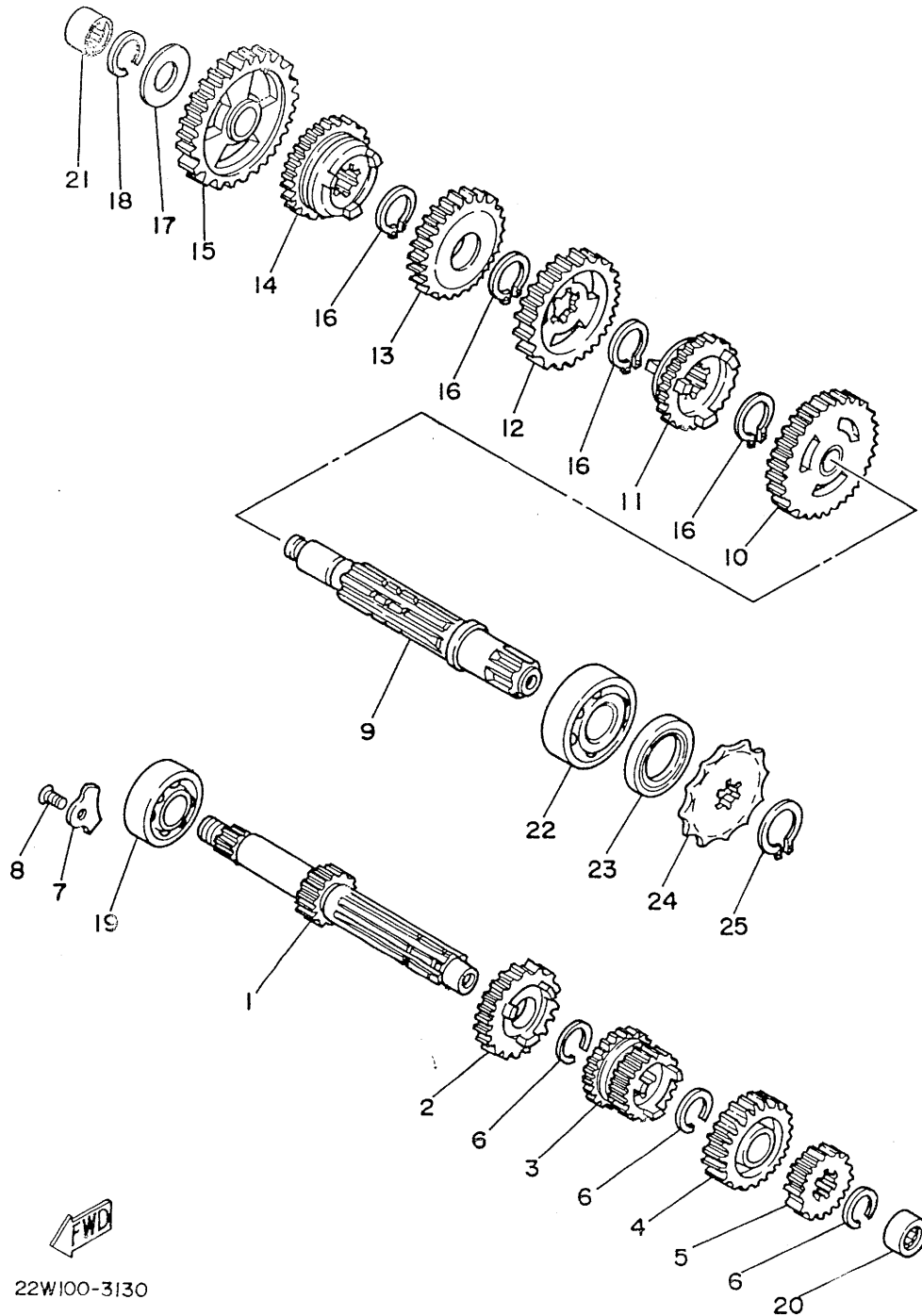


FIG. 12 TRANSMISSION

REF. NO.	PART NO.	DESCRIPTION	Q'TY	REMARKS
1	2VE-17411-00	AXLE, main	1	
2	2VE-17151-00	GEAR, 5th pinion (22T)	1	
3	2VE-17131-00	GEAR, 3rd pinion (16T/19T)	1	
4	2VE-17161-00	GEAR, 6th pinion (23T)	1	
5	2VE-17121-00	GEAR, 2nd pinion (16T)	1	
6	93440-17064	CIRCLIP	3	
7	3R4-15383-01	PLATE, bearing cover	2	
8	92701-06012	SCREW, flat head	2	
9	22W-17421-00	AXLE, drive	1	
10	39K-17221-00	GEAR, 2nd wheel (33T)	1	
11	39K-17261-01	GEAR, 6th wheel (26T)	1	
12	4V0-17231-00	GEAR, 3rd wheel (31T)	1	
13	39K-17241-00	GEAR, 4th wheel (22T)	1	
14	39K-17251-01	GEAR, 5th wheel (27T)	1	
15	4V0-17211-00	GEAR, 1st wheel (36T)	1	
16	93410-20038	CIRCLIP	4	
17	164-17427-00-06	SHIM 1 (0.6T)	1	
18	93440-15012	CIRCLIP	1	
19	93306-20333	BEARING	1	
20	93317-11245	BEARING, cylindrical	1	
21	93315-31502	BEARING, cylindrical	1	
22	93306-20401	BEARING (B6204)	1	
23	93102-20143	OIL SEAL	1	
24	93822-14037	SPROCKET, drive 14T	1	STD
	93822-12012	SPROCKET, drive 12T	1	
	93822-13024	SPROCKET, drive 13T	1	
	93822-15065	SPROCKET, drive 15T	1	
25	99009-18400	CIRCLIP	1	

SHIFT CAM & FORK

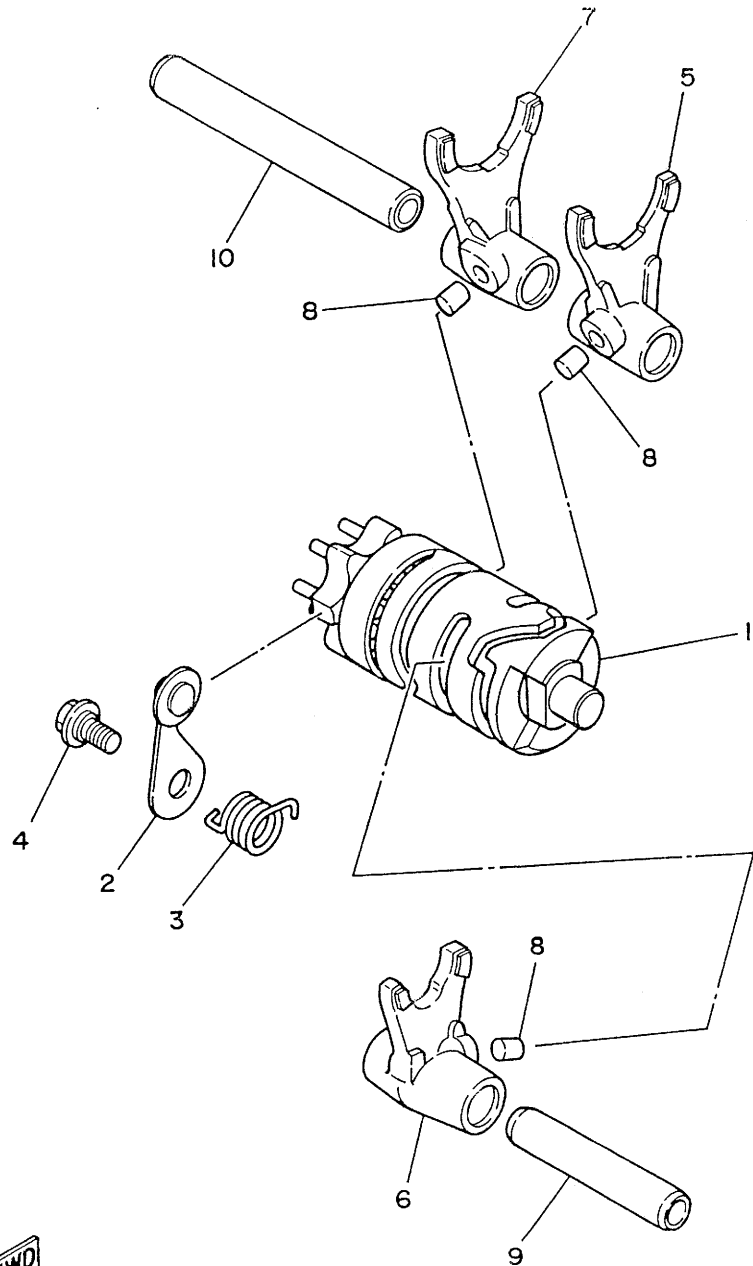


FIG. 13 SHIFT CAM. FORK

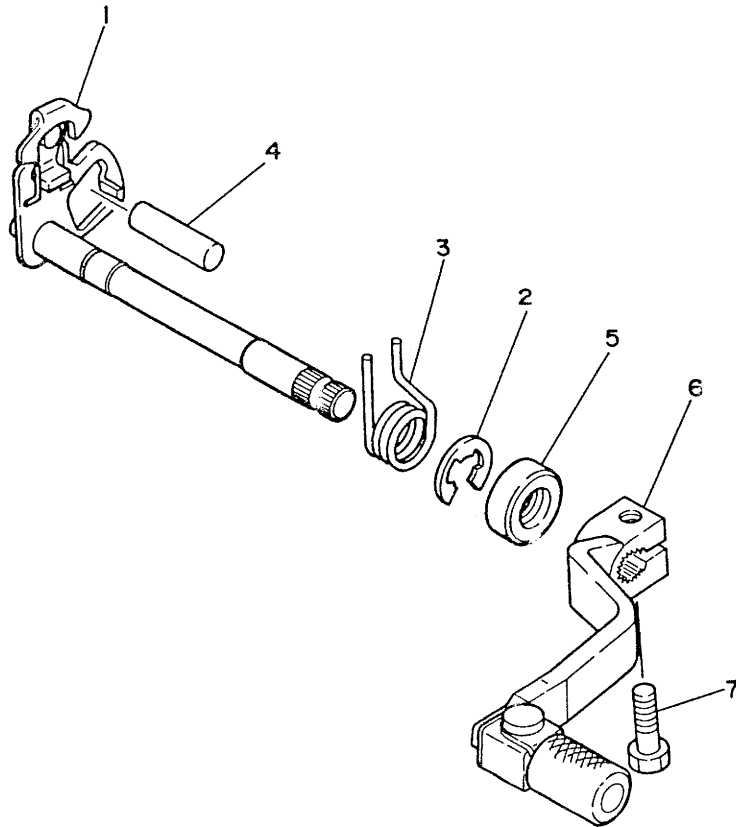
REF. NO.	PART NO.	DESCRIPTION	Q'TY	REMARKS
1	22W-18540-00	SHIFT CAM ASSY	1	
2	22W-18140-00	STOPPER LEVER ASSY	1	
3	90508-26561	SPRING, torsion	1	
4	50W-21631-00	BOLT 1	1	
5	4V0-18511-00	FORK, shift 1	1	
6	39K-18512-00	FORK, shift 2	1	
7	4V0-18513-00	FORK, shift 3	1	
8	90250-06013	PIN, straight	3	
9	5X5-18531-01	BAR, shift fork guide 1	1	
10	5X5-18535-01	BAR, shift fork guide 2	1	



SHIFT SHAFT

FIG. 14 SHIFT SHAFT

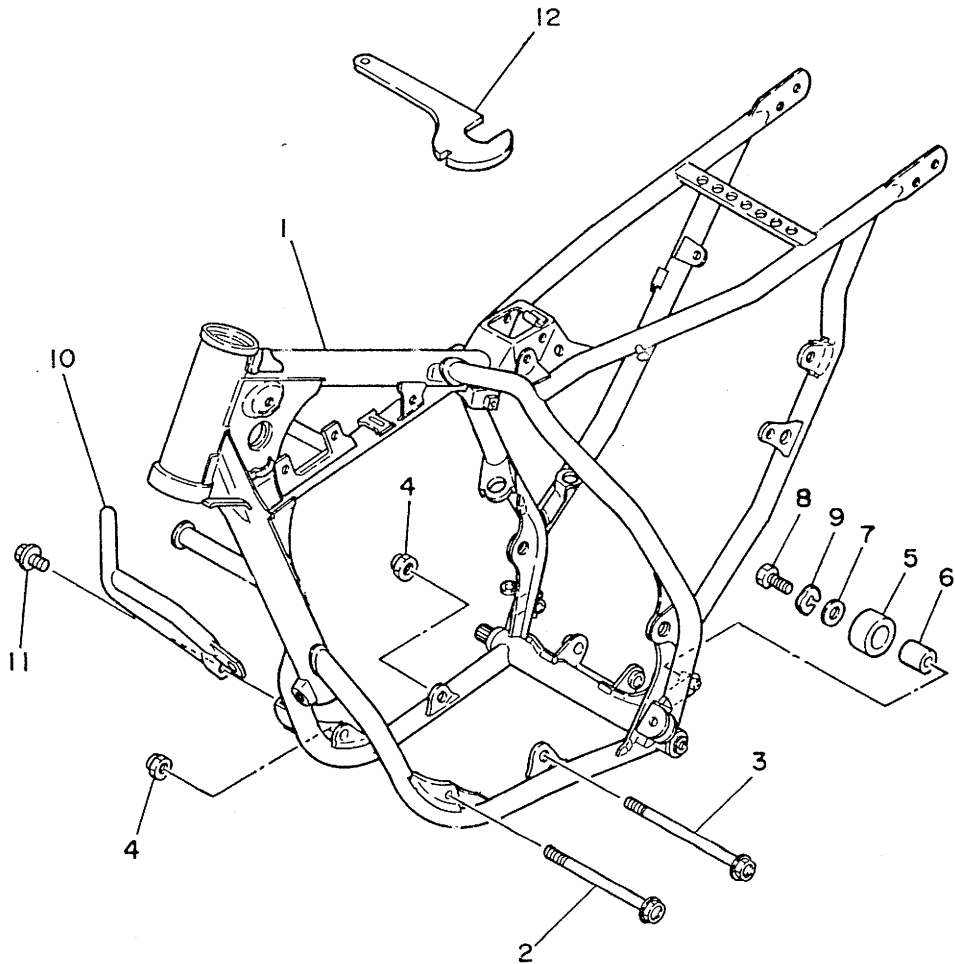
REF. NO.	PART NO.	DESCRIPTION	Q'TY	REMARKS
1	22W-18101-00	SHIFT SHAFT ASSY	1	
2	99001-10600	CIRCLIP	1	
3	90508-32642	SPRING, torsion	1	
4	93608-30128	PIN, dowel	1	
5	93109-12012	OIL SEAL	1	
6	2HF-18110-00	SHIFT PEDAL ASSY	1	
7	97011-06020	BOLT	1	



FRAME

FIG. 15 FRAME

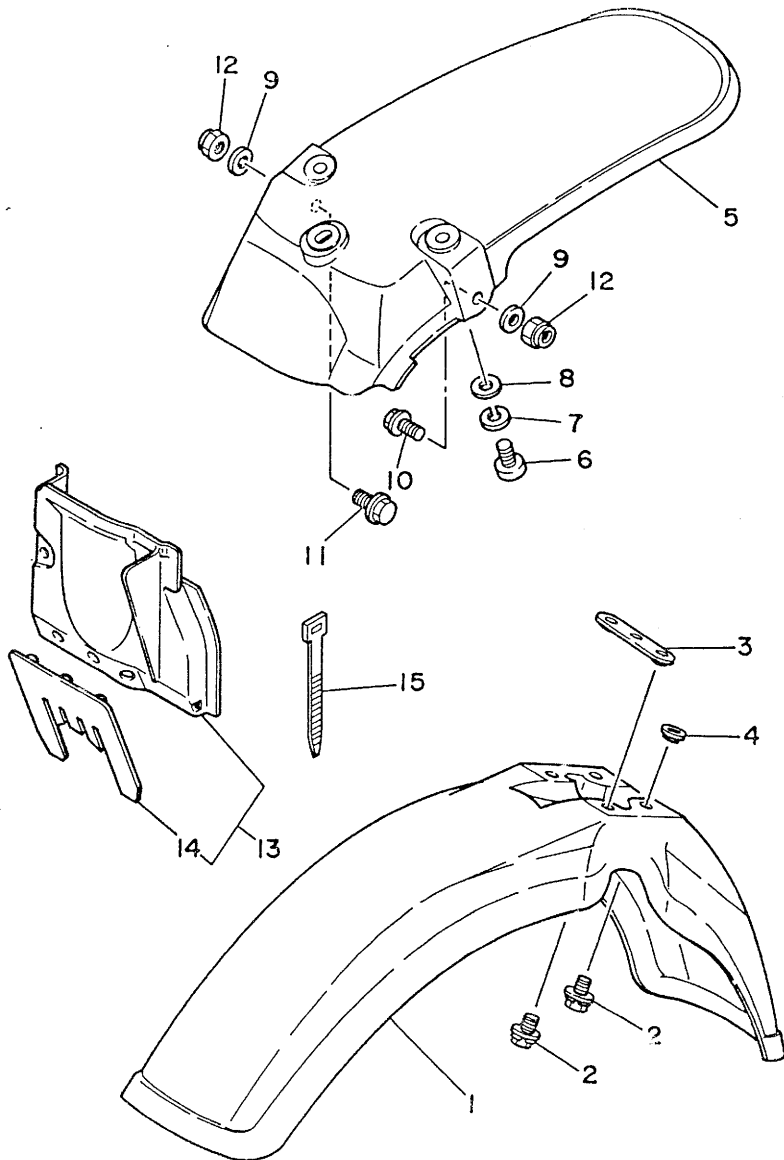
REF. NO.	PART NO.	DESCRIPTION	Q'TY	REMARKS
1	2HF-21110-00-UJ	FRAME	1	RADICAL WHITE
2	91011-08125	BOLT, flange	1	
3	91011-08135	BOLT, flange	1	
4	95601-08200	NUT, self-locking	2	
5	30X-22178-00	TENSIONER	1	
6	4V4-22184-00	BUSH	1	
7	90201-067A0	WASHER, plate	1	
8	97313-06016	BOLT	1	
9	92901-06700	WASHER, wave	1	
10	1LR-2174F-00	GUARD, radiator	1	
11	95021-08012	BOLT, flange	2	
12	1W1-28135-10	SPANNER, special	1	



FENDER

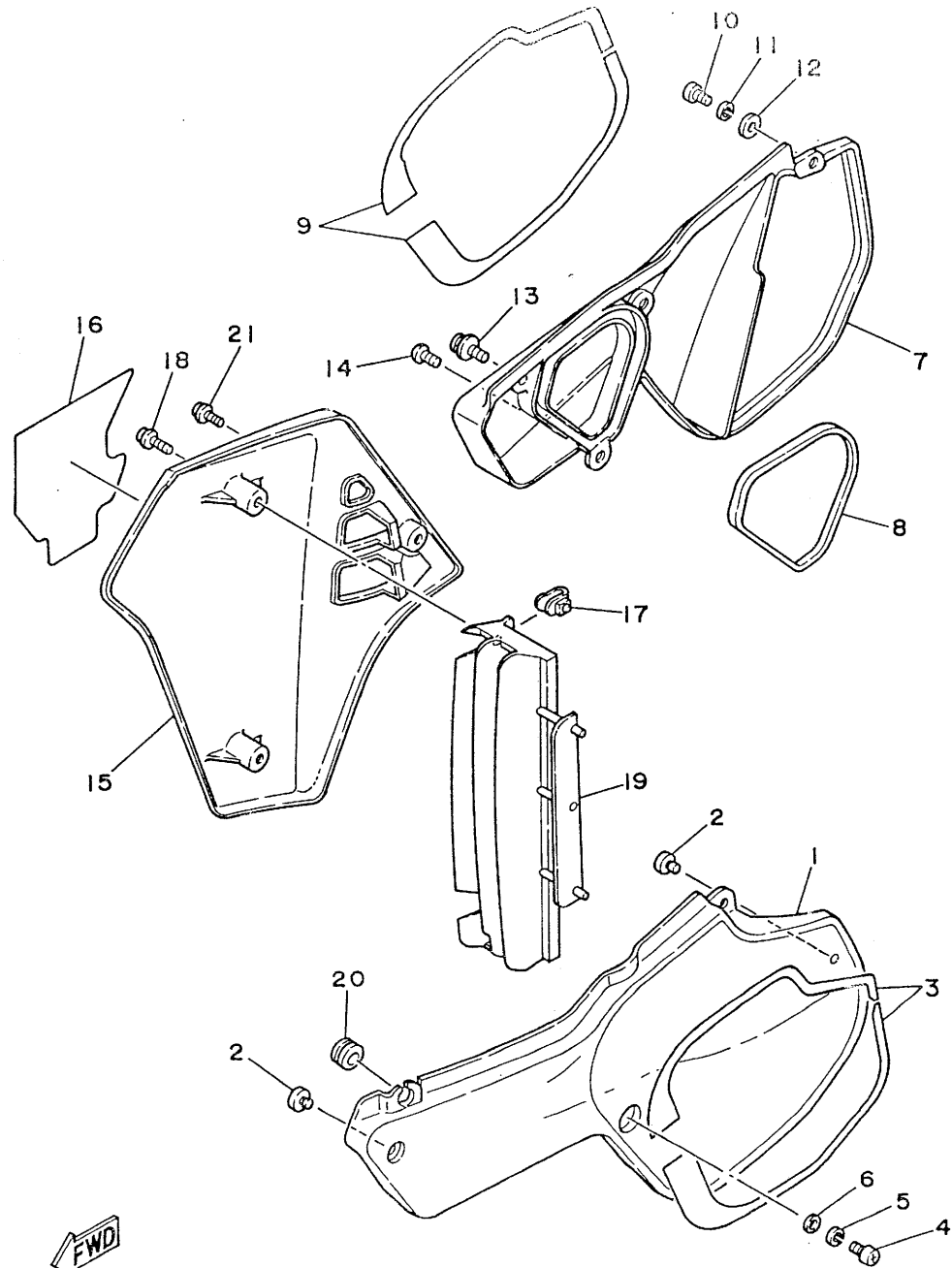
FIG. 16 FENDER

REF. NO.	PART NO.	DESCRIPTION	Q'TY	REMARKS
1	5X2-21511-10	FENDER, front	1	CLEAN WHITE
2	90119-06063	BOLT, with washer	4	
3	2VE-21523-00	PLATE 1	1	
4	90209-06187	WASHER	2	
5	22W-21611-10	FENDER, rear	1	CLEAN WHITE
6	92501-06014	SCREW, pan head	3	
7	92990-06100	WASHER, spring	3	
8	90201-065F3	WASHER, plate	3	
9	90201-08730	WASHER, plate	2	
10	91001-08025	BOLT, flange	1	
11	91001-08020	BOLT, flange	1	
12	95601-08200	NUT, self-locking	2	
13	39K-21620-01	MUD GUARD	1	
14	4V0-21621-00	.FLAP	1	
15	437-83936-00	BAND, switch cord	1	



SIDE COVER

FIG. 17 SIDE COVER

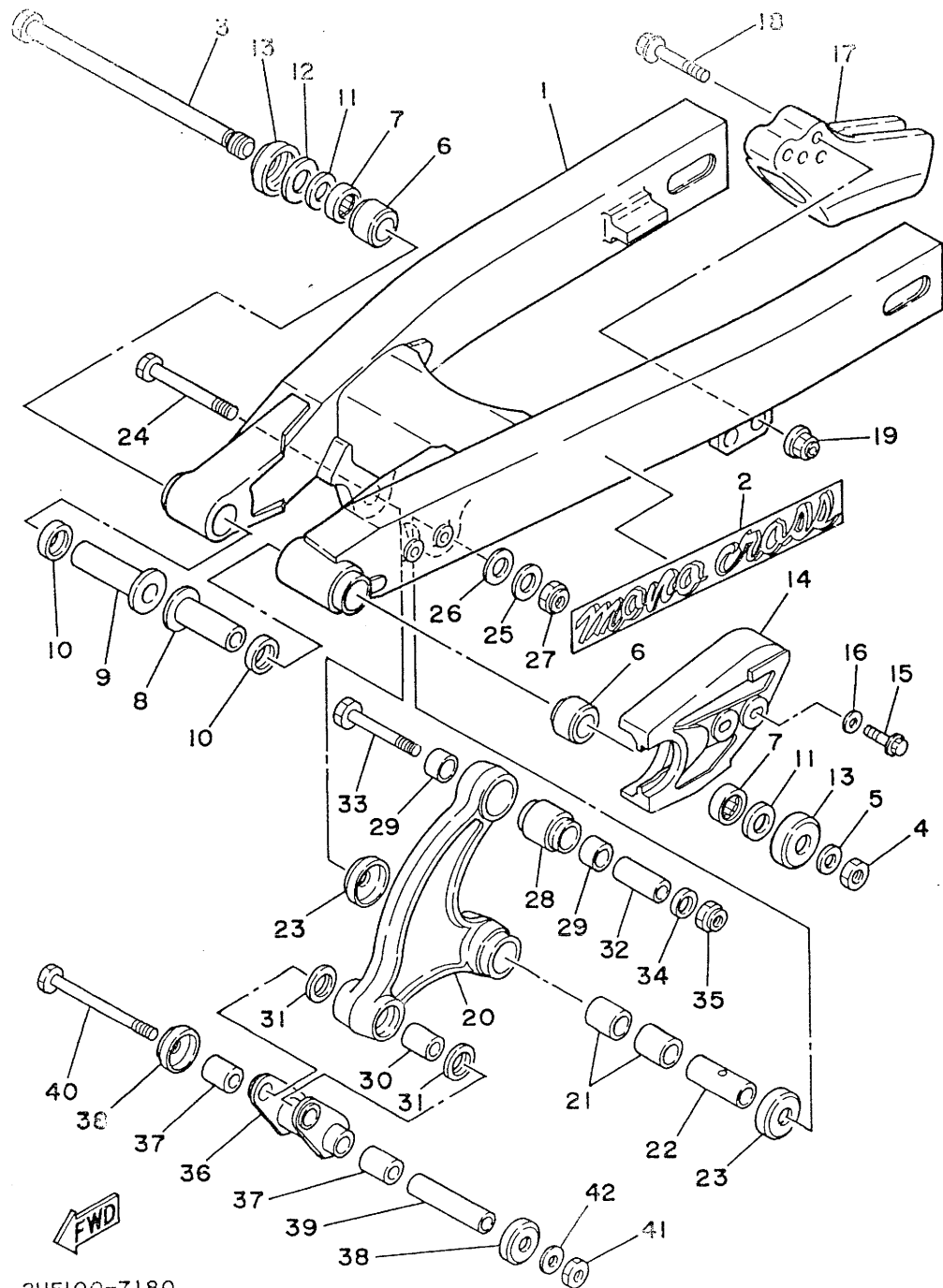


REF. NO.	PART NO.	DESCRIPTION	Q'TY	REMARKS
1	39K-21711-11	COVER, side 1	1	CLEAN WHITE
2	22W-24181-00	DAMPER, locating 1	2	
3	2VE-2173L-00	GRAPHIC SET 1	1	
4	92501-06014	SCREW, pan head	2	
5	92990-06100	WASHER, spring	2	
6	90201-06571	WASHER, plate	2	
7	2HF-21721-00-98	COVER, side 2	1	LOW GLOSS BLACK
8	2HF-14452-00	SEAL	1	
9	2VE-2174L-00	GRAPHIC SET 2	1	
10	92501-06014	SCREW, pan head	1	
11	92990-06100	WASHER, spring	1	
12	90201-06571	WASHER, plate	1	
13	90159-06032	SCREW, with washer	2	
14	90153-06045	SCREW, bind	1	
15	2HF-21741-00	COVER, side 4	1	CLEAN WHITE
16	2VE-2173F-00	GRAPHIC 2	1	
17	22W-21791-00	NUT	2	
18	90159-05101	SCREW, with washer	2	
19	1LR-2172A-00	PANEL 1	1	
20	90480-12053	GROMMET	1	
21	90159-06013	SCREW, with washer	1	



REAR ARM

FIG. 18 REAR ARM



REF. NO.	PART NO.	DESCRIPTION	Q'TY	REMARKS
1	2VE-22110-00	REAR ARM	1	
2	2HH-2218A-00	EMBLEM, rear arm	2	
3	4V1-22141-00	SHAFT, pivot	1	
4	90185-12119	NUT, self-locking	1	
5	90201-124G9	WASHER, plate	1	
6	90385-17042	BUSH	2	
7	93317-21746	BEARING, cylindrical	2	
8	90387-127J8	COLLAR	1	
9	90387-127J7	COLLAR	1	
10	93109-17048	OIL SEAL	2	
11	90201-191J4	WASHER, plate	2	
12	401-22127-00	SHIM	1	
13	401-22128-01	SEAL, guard	2	
14	1LR-22151-00	SEAL, guard	1	
15	95026-06025	BOLT, flange	2	
16	90201-06067	WASHER, plate	2	
17	39K-22199-00	SUPPORT, chain	1	
18	91021-08045	BOLT, flange	2	
19	95601-08200	NUT, self-locking	2	
20	39K-2217A-00	ARM, relay	1	
21	90384-18190	BUSH, bimetal formed	2	
22	90380-12094	BUSH, solid	1	
23	5X6-22129-00	COVER, thrust 2	2	
24	90109-100E4	BOLT	1	
25	90201-100E9	WASHER, plate	1	
26	90201-120A5	WASHER, plate	1	
27	90185-10110	NUT, self-locking	1	
28	22W-22124-00	BUSH 2	1	

REAR ARM

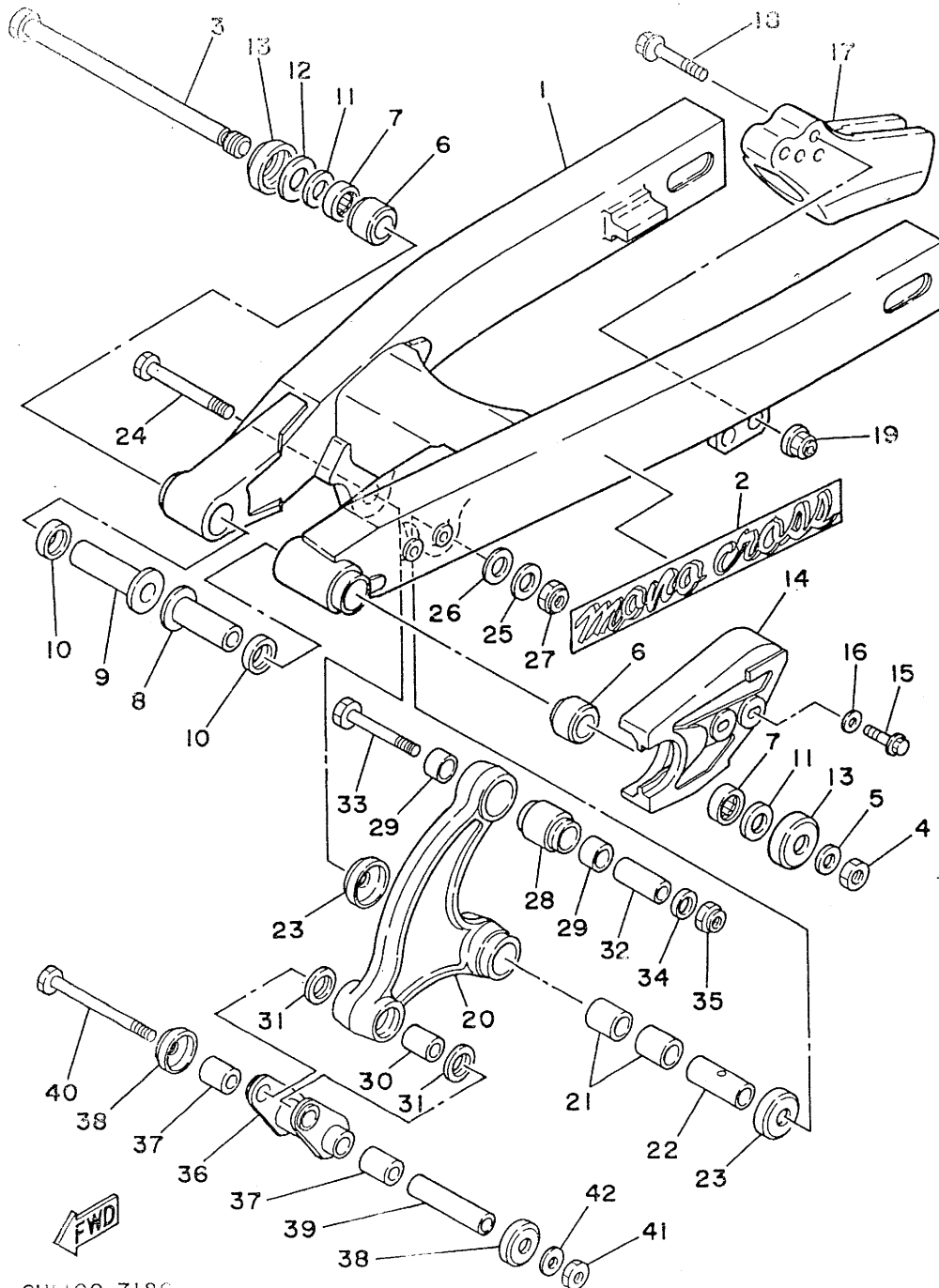


FIG. 18 REAR ARM

REF. NO.	PART NO.	DESCRIPTION	Q'TY	REMARKS
29	90380-16109	BUSH, solid	2	
30	90383-16023	BUSH, formed	1	
31	93109-16035	OIL SEAL	2	
32	90387-10660	COLLAR	1	
33	90109-10689	BOLT	1	
34	92990-10600	WASHER, plate	1	
35	90185-10110	NUT, self-locking	1	
36	22W-2217F-00	ROD, connecting 1	1	
37	90383-16023	BUSH, formed	2	
38	22W-22129-00	COVER, thrust 2	2	
39	90387-10569	COLLAR	1	
40	90109-10688	BOLT	1	
41	90185-10110	NUT, self-locking	1	
42	92990-10600	WASHER, plate	1	

REAR SUSPENSION

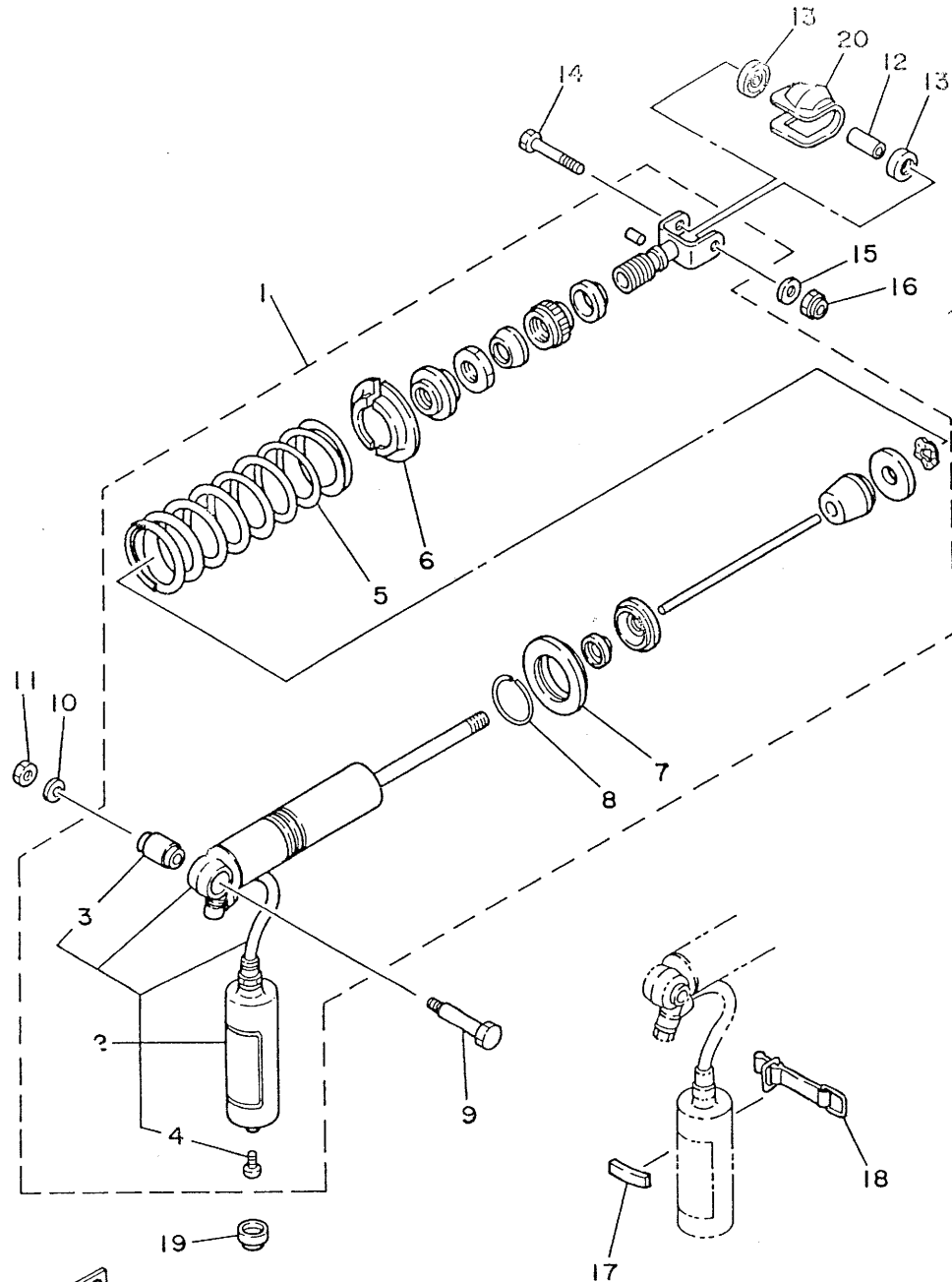


FIG. 19 REAR SUSPENSION

REF. NO.	PART NO.	DESCRIPTION	Q'TY	REMARKS
1	2HF-22210-00-6W	SHOCK ABSORBER ASSY, rear	1	NATIVE RED
2	2HF-22201-00	.DAMPER SUB ASSY	1	
3	2X6-22216-00	..BUSH, rear shock absorber	1	
4	98501-04006	..SCREW, pan head	1	
5	2HF-22212-00-6W	.SPRING	1	NATIVE RED
6	22W-22214-00	.GUIDE, spring 1	2	
7	22W-22223-00	.SEAT, spring lower	1	
8	93440-42101	.CIRCLIP	1	
9	90109-10729	BOLT	1	
10	92990-10600	WASHER, plate	1	
11	90185-10110	NUT, self-locking	1	
12	90387-106G0	COLLAR	1	
13	22W-22129-00	COVER, thrust 2	2	
14	90109-10689	BOLT	1	
15	92990-10600	WASHER, plate	1	
16	90185-10110	NUT, self-locking	1	
17	24X-22261-00	DAMPER, sub tank	1	
18	24X-22262-00	HOLDER, sub tank	1	
19	90480-17359	GROMMET	1	
20	22W-22189-00	BOOT, rubber	1	

STEERING

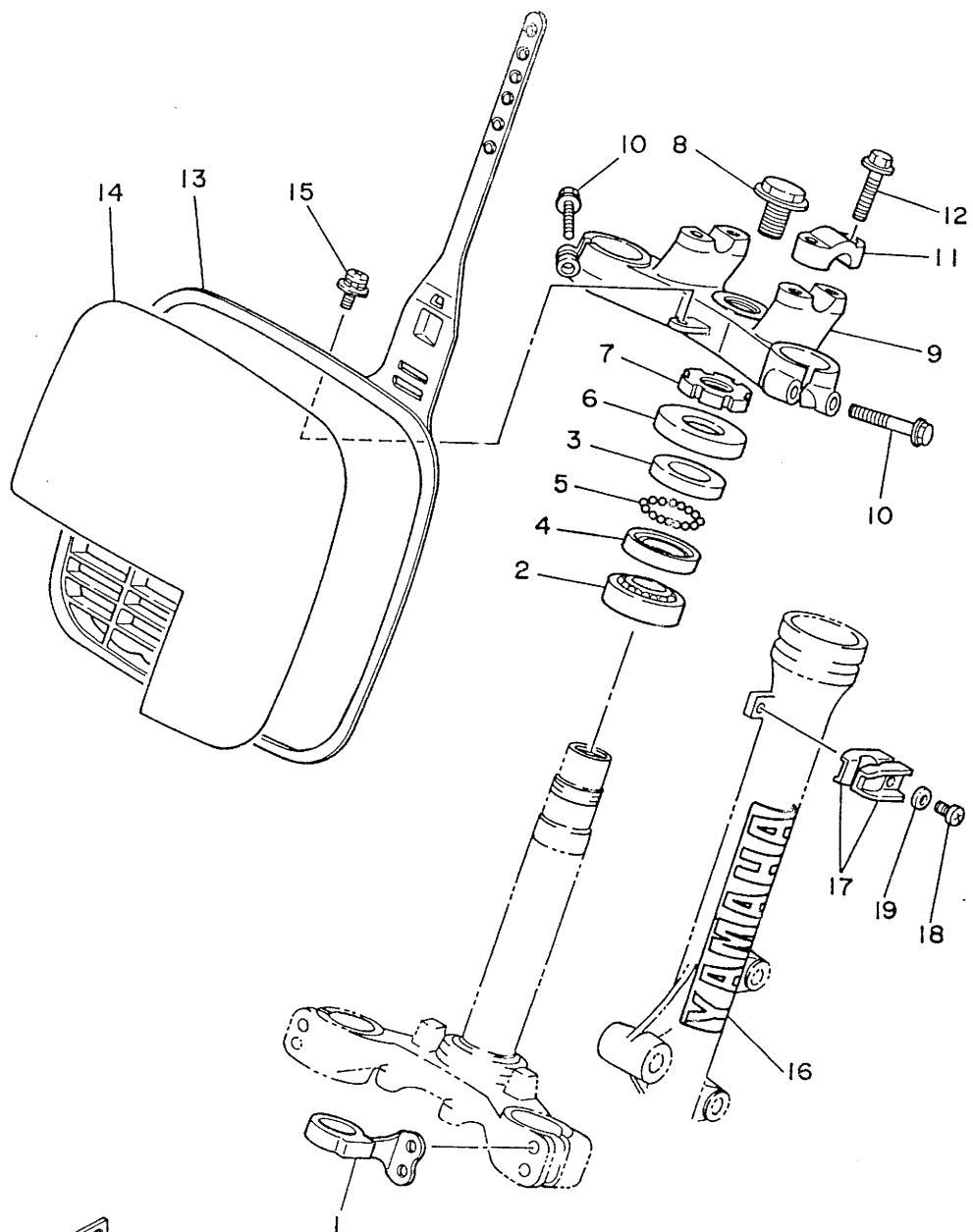


FIG. 20 STEERING

REF. NO.	PART NO.	DESCRIPTION	Q'TY	REMARKS
1	3R4-23389-00	GUIDE, cable	1	
2	93332-00059	BEARING	1	
3	122-23411-00	RACE, ball 1	1	
4	122-23412-00	RACE, ball 2	1	
5	93503-16010	BALL	22	
6	10V-23416-01	COVER, ball race 2	1	
7	90179-25033	NUT	1	
8	90105-14102	BOLT, washer based	1	
9	22W-23435-00-98	CROWN, handle	1	LOW GLOSS BLACK
10	91001-08035	BOLT, flange	2	
11	1E6-23441-00	HOLDER, handle upper	2	
12	91021-08030	BOLT, flange	4	
13	22W-23485-11	PLATE, number	1	CLEAN WHITE
14	2VE-21785-00	EMBLEM 5	1	
15	90159-06060	SCREW, with washer	1	
16	1LR-23108-00	EMBLEM	2	
17	90465-14242	CLAMP	2	
18	91311-06016	BOLT	2	
19	90201-061A5	WASHER, plate	2	



FRONT FORK

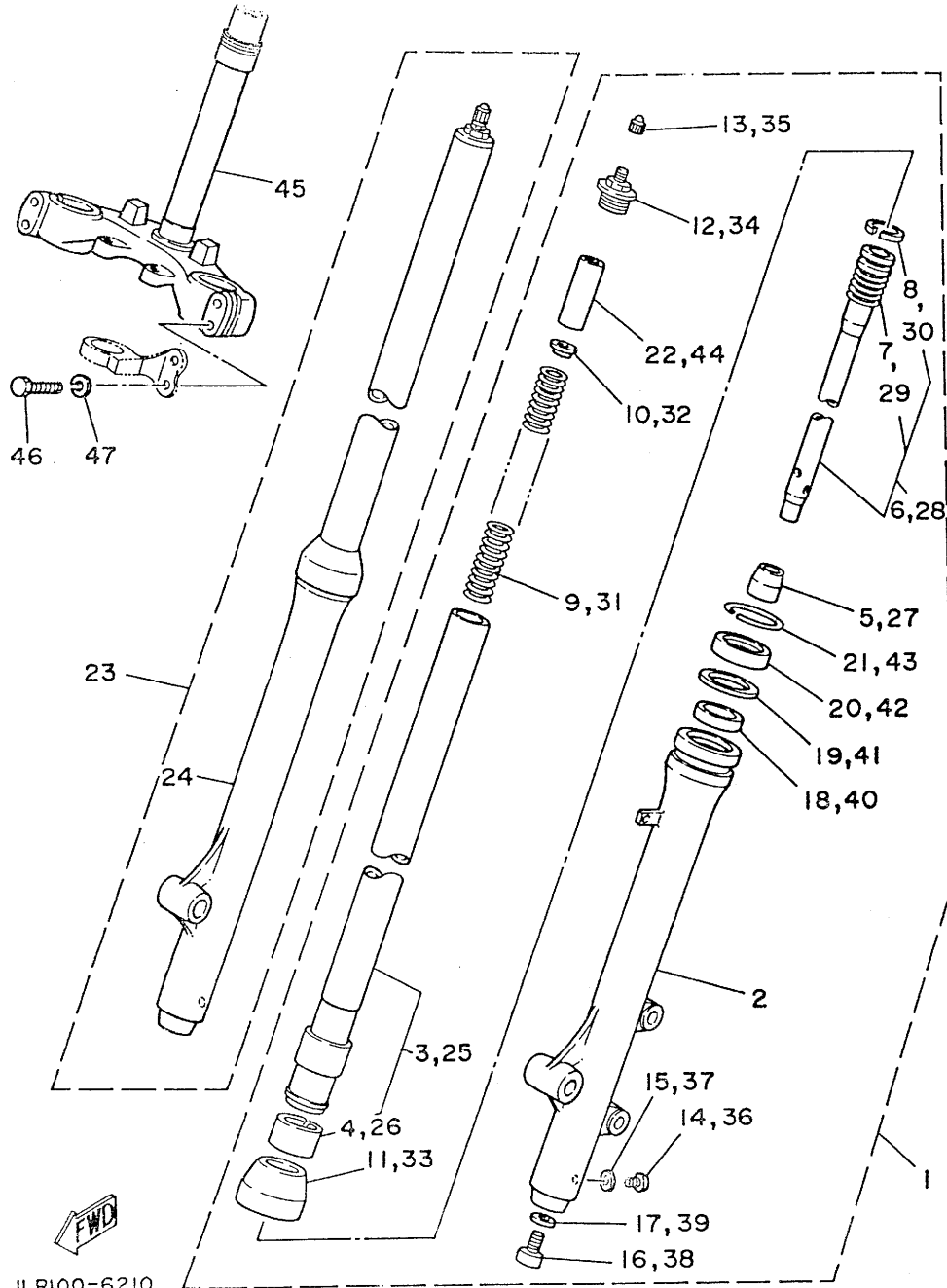
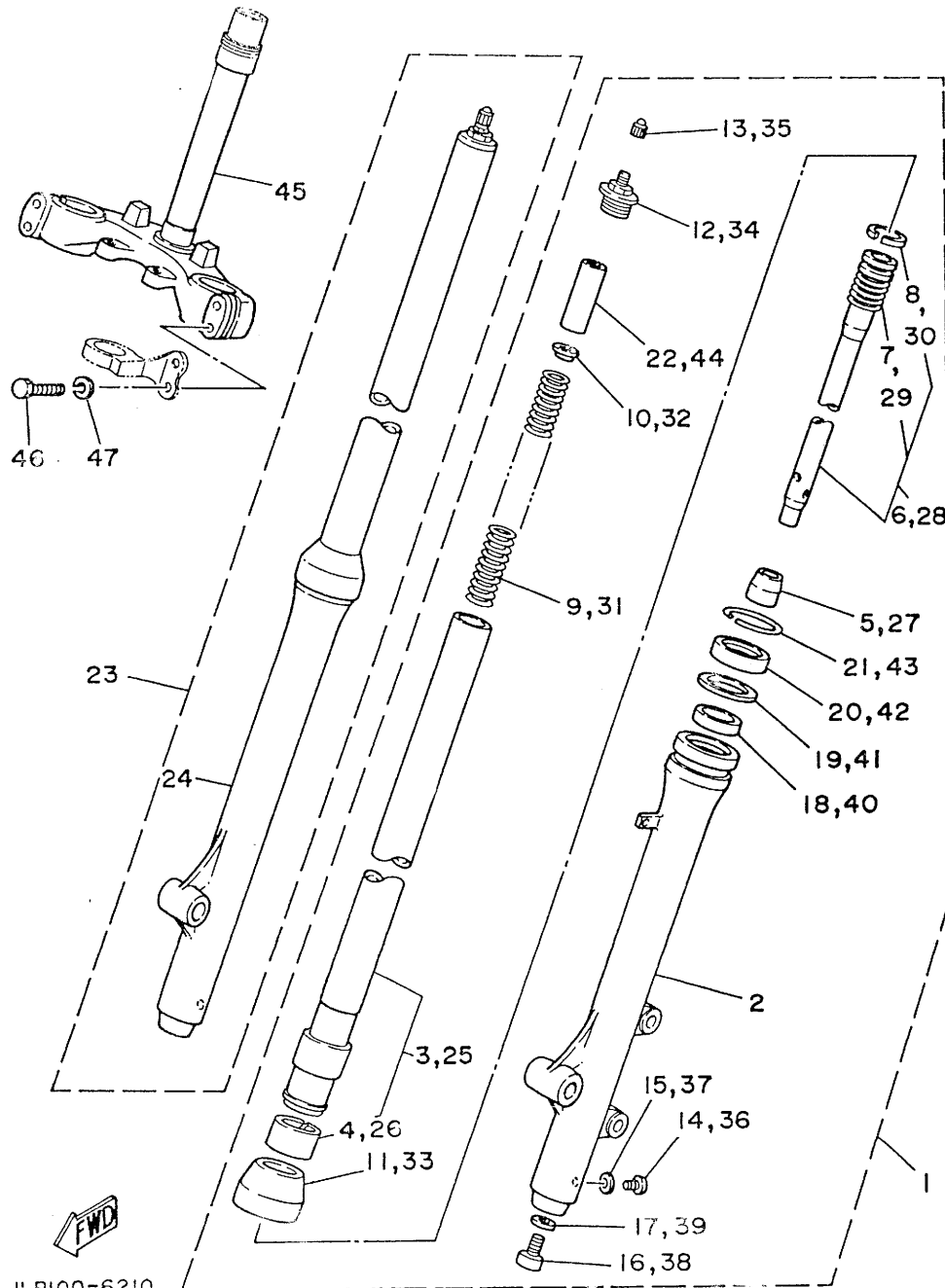


FIG. 21 FRONT FORK

REF. NO.	PART NO.	DESCRIPTION	Q'TY	REMARKS
1	2HF-23102-L0	FRONT FORK ASSY (L.H)	1	
2	2HF-23126-L0-35	.TUBE, outer 1	1	SILVER
3	58T-23110-L0	.INNER TUBE .1	1	
4	22W-2312K-00	..PISTON, front fork	1	
5	39K-23173-00	.SPINDLE, taper	1	
6	39K-23170-L0	.CYLINDER , front fork	1	
7	509-23151-L0	..SPRING, rebound	1	
8	22W-23157-L0	..RING, piston	1	
9	39K-23141-00	.SPRING, front fork (K=0.23)	1	
10	583-23142-00	.SEAT, spring upper	1	
11	22W-23144-L0	.SEAL, dust	1	
12	58T-23111-L0	.BOLT, cap	2	
13	58T-23184-L0	.CAP, air valve	1	
14	4H7-23119-00	.PLUG, drain	1	
15	122-23129-00	.GASKET, drain plug	1	
16	278-23181-50	.BOLT, hexagon socket head	1	
17	509-23158-L0	.GASKET	1	
18	22W-23125-L0	.METAL, slide 1	1	
19	22W-23146-L0	.WASHER, oil seal	1	
20	22W-23145-L0	.OIL SEAL	1	
21	22W-23153-L0	.RING, snap	1	
22	58T-23118-L0	.SPACER	1	
23	2HF-23103-L0	FRONT FORK ASSY (R.H)	1	
24	2HF-23136-L0-35	.TUBE, outer 2	1	SILVER
25	58T-23110-L0	.INNER TUBE 1	1	
26	22W-2312K-00	..PISTON, front fork	1	
27	39K-23173-00	.SPINDLE, taper	1	
28	39K-23170-L0	.CYLINDER , front fork	1	

FRONT FORK



ILR100-6210

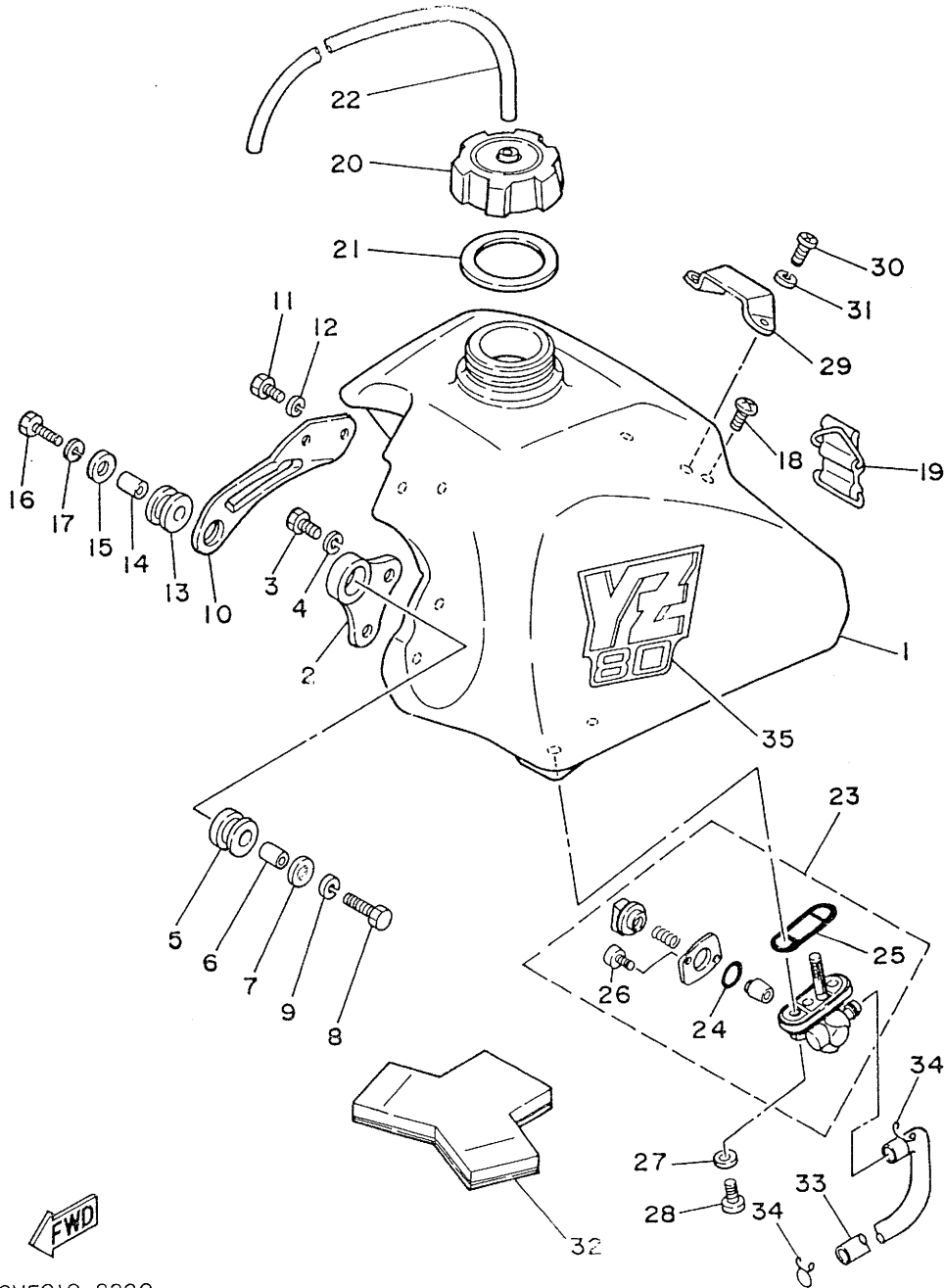
FIG. 21 FRONT FORK

REF. NO.	PART NO.	DESCRIPTION	Q'TY	REMARKS
29	509-23151-L0	..SPRING, rebound	1	
30	22W-23157-L0	..RING, piston	1	
31	39K-23141-00	.SPRING, front fork (K=0.23)	1	
32	583-23142-00	.SEAT, spring upper	1	
33	22W-23144-L0	.SEAL, dust	1	
34	58T-23111-L0	.BOLT, cap	1	
35	58T-23184-L0	.CAP, air valve	1	
36	4H7-23119-00	.PLUG, drain	1	
37	122-23129-00	.GASKET, drain plug	1	
38	278-23181-50	.BOLT, hexagon socket head	1	
39	509-23158-L0	.GASKET	1	
40	22W-23125-L0	.METAL, slide 1	1	
41	22W-23146-L0	.WASHER, oil seal	1	
42	22W-23145-L0	.OIL SEAL	1	
43	22W-23153-L0	.RING, snap	1	
44	58T-23118-L0	.SPACER	1	
45	39K-23340-L0	UNDER BRACKET	1	
46	97321-08040	BOLT	4	
47	92990-08100	WASHER, spring	4	

FUEL TANK

FIG. 22 FUEL TANK

REF. NO.	PART NO.	DESCRIPTION	Q'TY	REMARKS
1	1LR-24110-00	FUEL TANK	1	CLEAN WHITE
2	1LR-24157-00	STAY, fuel tank 1	1	
3	97001-06012	BOLT	2	
4	92990-06100	WASHER, spring	2	
5	90480-18290	GROMMET	1	
6	90387-07598	COLLAR	1	
7	90201-06072	WASHER, plate	1	
8	97021-06030	BOLT	1	
9	92990-06100	WASHER, spring	1	
10	22W-24158-00	STAY, fuel tank 2	1	
11	97001-06012	BOLT	2	
12	92990-06100	WASHER, spring	2	
13	90480-18290	GROMMET	1	
14	90387-07598	COLLAR	1	
15	90201-06072	WASHER, plate	1	
16	97021-06030	BOLT	1	
17	92990-06100	WASHER, spring	1	
18	98980-06020	SCREW, bind	1	
19	59V-24173-00	BAND, tank fitting 1	1	
20	5X7-24611-01	BODY, cap	1	
21	5X7-24612-00	GASKET, cap	1	
22	90445-09304	HOSE	1	
23	2VE-24500-00	FUEL COCK ASSY 1	1	
24	4X8-24534-00	.SEAL, cock	1	
25	4X8-24512-00	.GASKET	1	
26	98503-03008	.SCREW, pan head	2	
27	90202-06010	WASHER, plate	2	
28	90149-06011	SCREW	2	



FUEL TANK

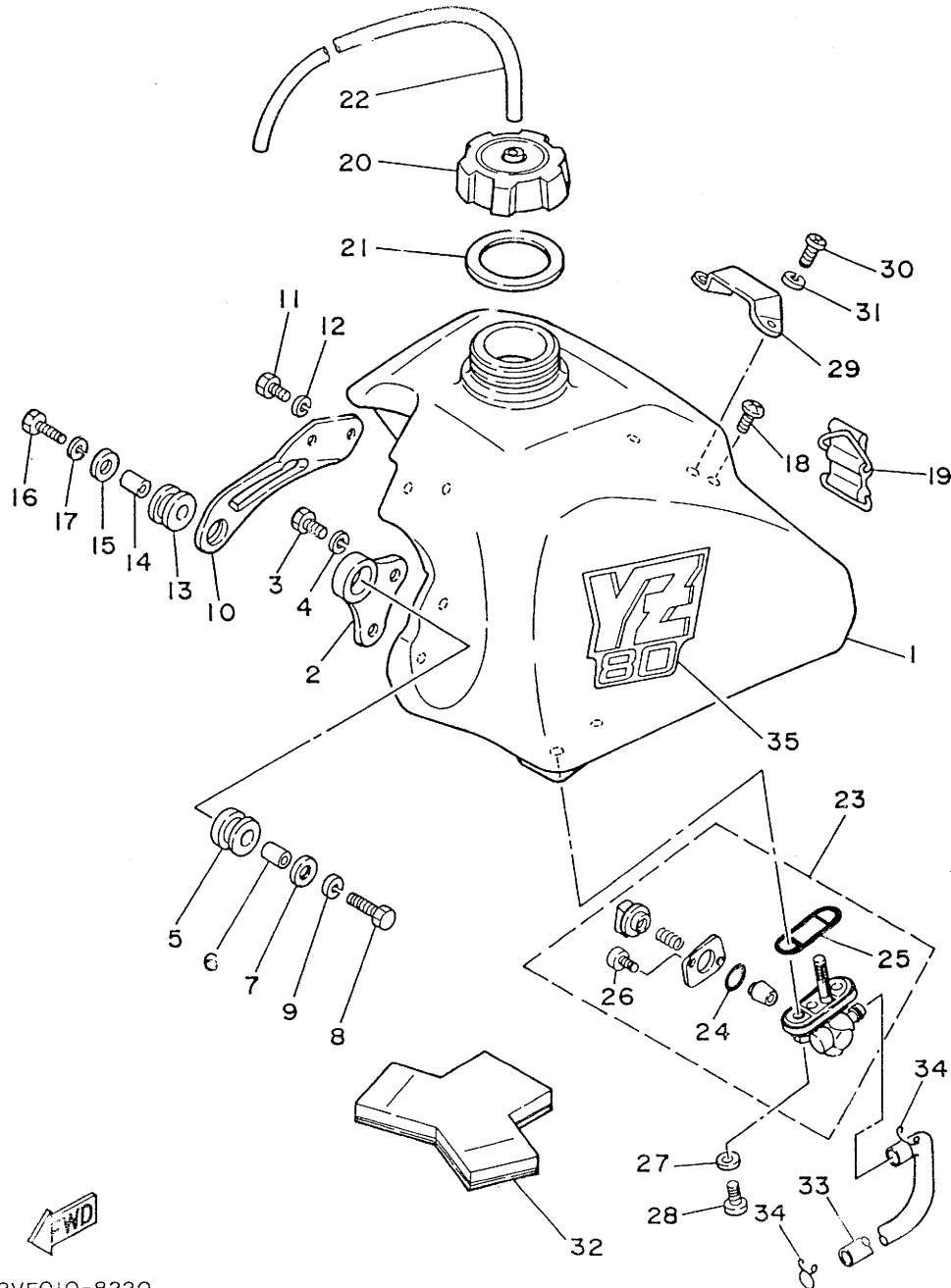


FIG. 22 FUEL TANK

REF. NO.	PART NO.	DESCRIPTION	Q'TY	REMARKS
29	5X7-2412F-00	BRACKET, seat	1	
30	92501-06012	SCREW, pan head	2	
31	92990-06100	WASHER, spring	2	
32	22W-24183-00	DAMPER, locating 3	1	
33	1LR-24311-00	PIPE, fuel 1	1	
34	90467-10008	CLIP	2	
35	2VE-24254-00	GRAPHIC, fuel tank 7	1	

SEAT

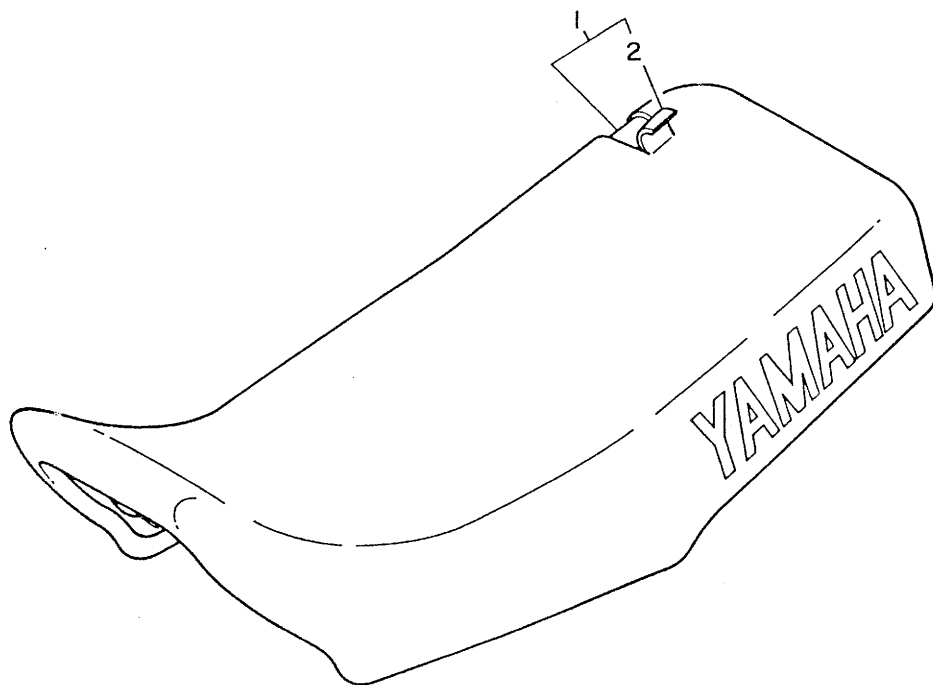


FIG. 23 SEAT

REF. NO.	PART NO.	DESCRIPTION	Q'TY	REMARKS
1	1LR-24770-01	SEMI-DOUBLE SEAT ASSY	1	
2	1LR-24731-00	.COVER, seat	1	



FRONT WHEEL

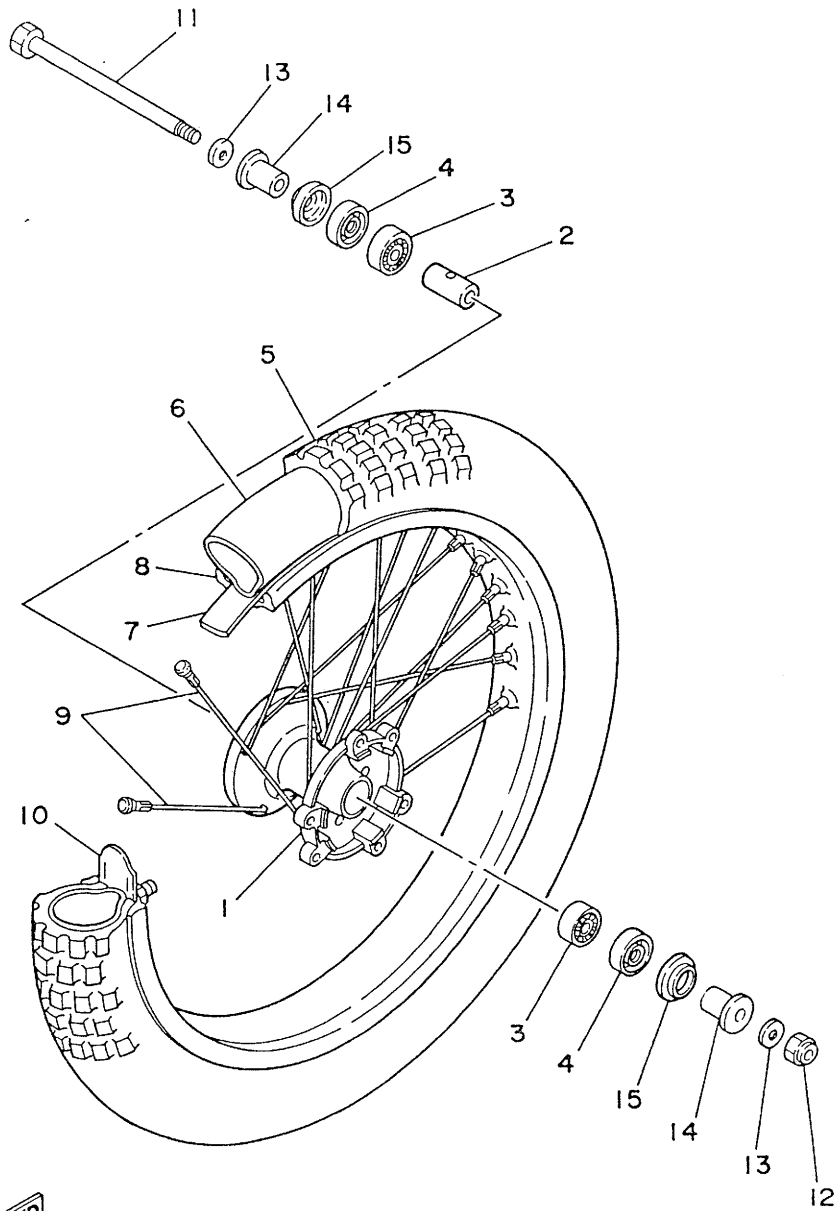


FIG. 24 FRONT WHEEL

REF. NO.	PART NO.	DESCRIPTION	Q'TY	REMARKS
1	1LR-25111-00-98	HUB, front	1	LOW GLOSS BLACK
2	90560-12257	SPACER	1	
3	93306-00105	BEARING (B6001)	2	
4	93106-18013	OIL SEAL	2	
5	70/100 x 17	TIRE	1	
6	80/80 x 17	TUBE	1	
7	94332-17112	BAND, rim (3.25-17)	1	
8	94414-17428	RIM (1.40-17)	1	
9	1LR-25104-00	SPOKE SET, front	1	
10	1T1-25194-00	SPACER, bead	1	
11	22W-25181-01	AXLE, wheel	1	
12	90185-12046	NUT, self-locking	1	
13	90201-122A7	WASHER, plate	2	
14	90387-126F8	COLLAR	2	
15	462-25118-00	COVER, hub dust	2	



FRONT BRAKE CALIPER

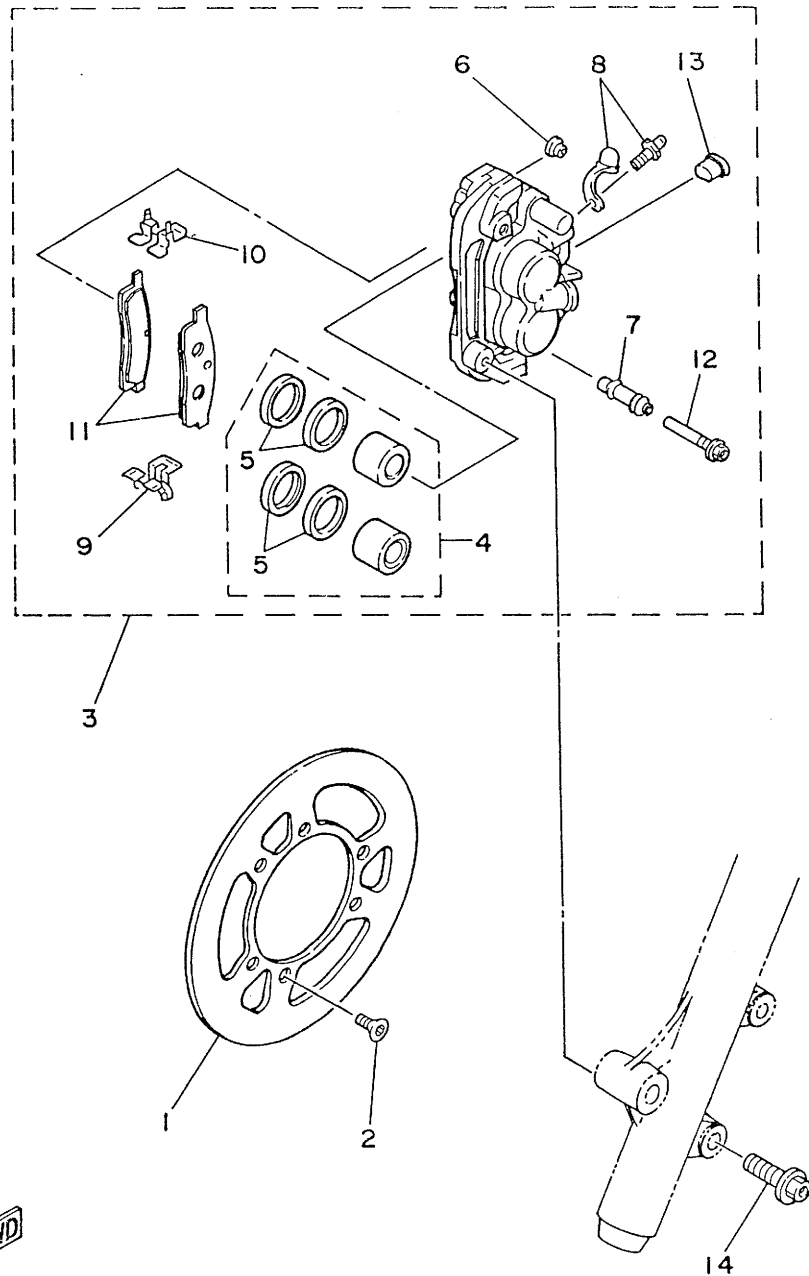


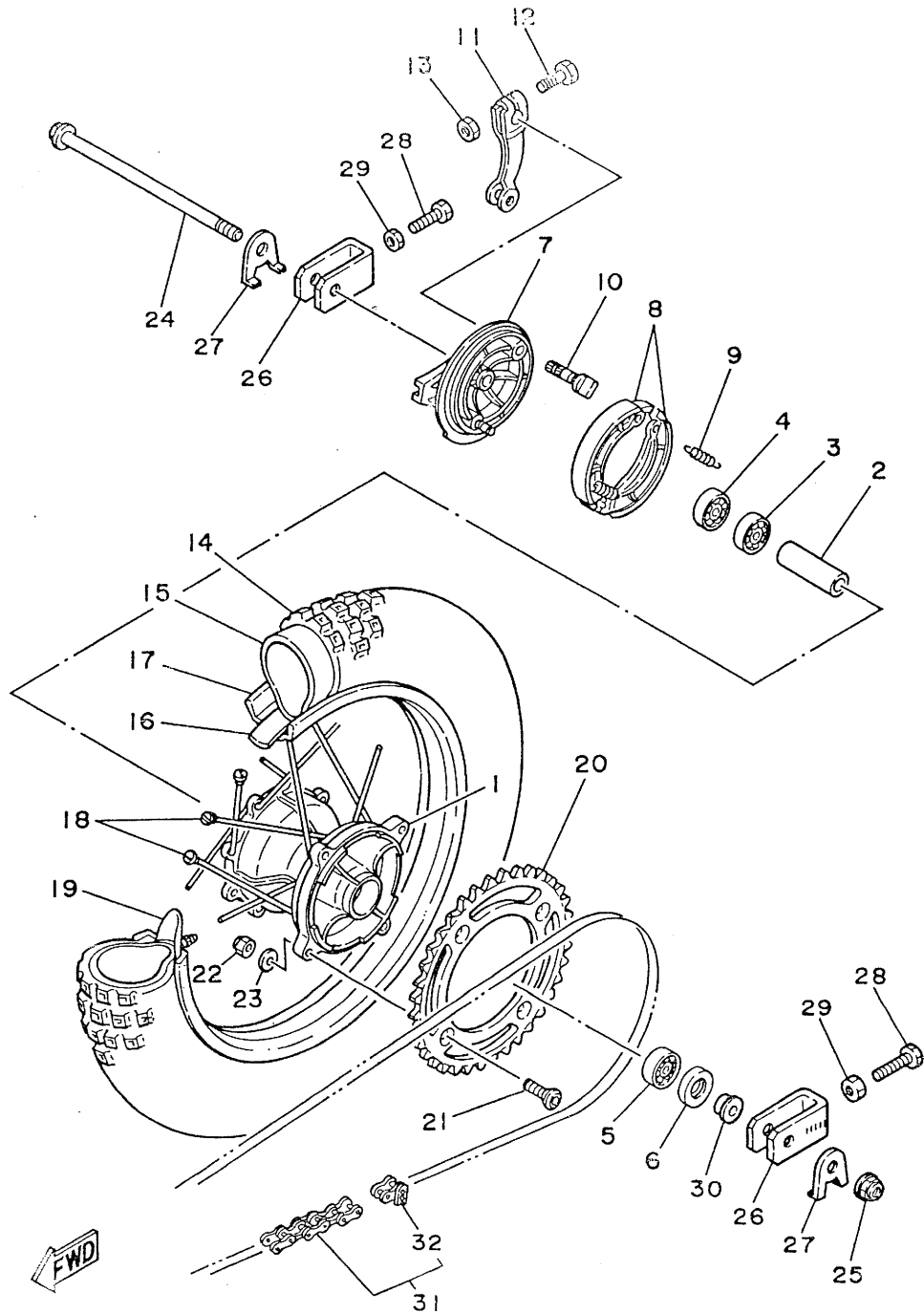
FIG. 25 FRONT BRAKE CALIPER

REF. NO.	PART NO.	DESCRIPTION	Q'TY	REMARKS
1	1LR-25831-00	DISC, brake (RIGHT)	1	
2	90149-06248	SCREW	6	
3	2HF-25810-00	CALIPER ASSY (RIGHT)	1	
4	1LR-W0057-00	.PISTON ASSY, caliper	1	
5	1LR-W0047-00	..CALIPER SEAL KIT	1	
6	5R2-25917-00	.BOOT, caliper	1	
7	56A-25937-00	.BOOT 2	1	
8	51L-W0048-00	.BLEED SCREW KIT	1	
9	56A-25919-00	.SUPPORT, pad	1	
10	56A-25919-10	.SUPPORT, pad	1	
11	2HF-W0046-00	.BRAKE PAD KIT, rear	1	
12	56A-25926-00	.BOLT	1	
13	34X-25845-00	.CAP, indicator	1	
14	91011-08035	BOLT, flange	2	



REAR WHEEL

FIG. 26 REAR WHEEL

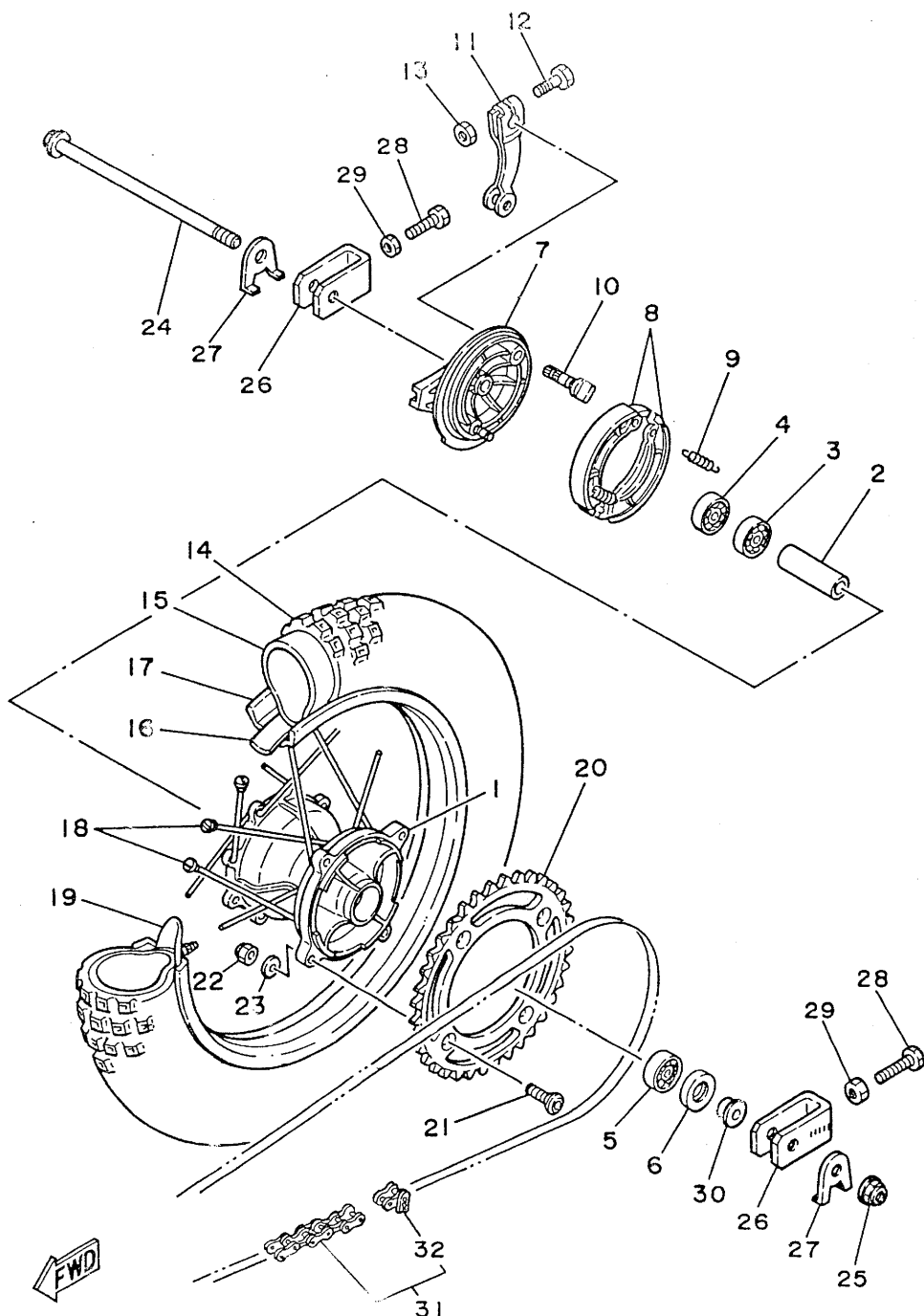


REF. NO.	PART NO.	DESCRIPTION	Q'TY	REMARKS
1	39K-25311-00-98	HUB, rear	1	LOW GLOSS BLACK
2	90560-12320	SPACER	1	
3	93306-00108	BEARING	1	
4	93306-00105	BEARING (B6001)	1	
5	93306-30101	BEARING (B6301)	1	
6	93106-20002	OIL SEAL	1	
7	39K-25321-00-98	PLATE, brake shoe	1	LOW GLOSS BLACK
8	39K-W2535-00	BRAKE SHOE SET	1	
9	90506-14081	SPRING, tension	2	
10	4N0-25151-00	CAMSHAFT	1	
11	3R0-25355-11	LEVER, camshaft	1	
12	90101-06278	BOLT	1	
13	95303-06600	NUT	1	
14	90/100 x 14	TIRE (90/100-14)	1	
15	110/90 x 14	TUBE (110/90-14)	1	
16	94327-14076	BAND, rim (2.75-14)	1	
17	94416-14375	RIM (1.60-14)	1	
18	39K-25304-00	SPOKE SET, rear	1	
19	5X2-25394-00	SPACER, bead	1	
20	39K-25446-00	SPROCKET, driven (46T)	1	STD
	39K-25444-00	SPROCKET, driven (44T)	1	
	39K-25448-00	SPROCKET, driven (48T)	1	
	39K-25450-00	SPROCKET, driven (50T)	1	
21	90109-08706	BOLT	4	

REAR WHEEL

FIG. 26 REAR WHEEL

REF. NO.	PART NO.	DESCRIPTION	Q'TY	REMARKS
22	95611-08100	NUT, u	4	
23	90201-081A6	WASHER, plate	4	
24	1LR-25381-01	AXLE, wheel	1	
25	95601-12200	NUT, self-locking	1	
26	2HF-25388-00	PULLER, chain 1	2	
27	51L-2533A-00	PLATE, indicator	2	
28	90101-08475	BOLT	2	
29	95303-08700	NUT	2	
30	90387-126R2	COLLAR	1	
31	RK428 x 112Links CHAIN, drive		1	
32	RK428 1/2 x 5/16 JOINT, chain		1	



STEERING HANDLE & CABLE

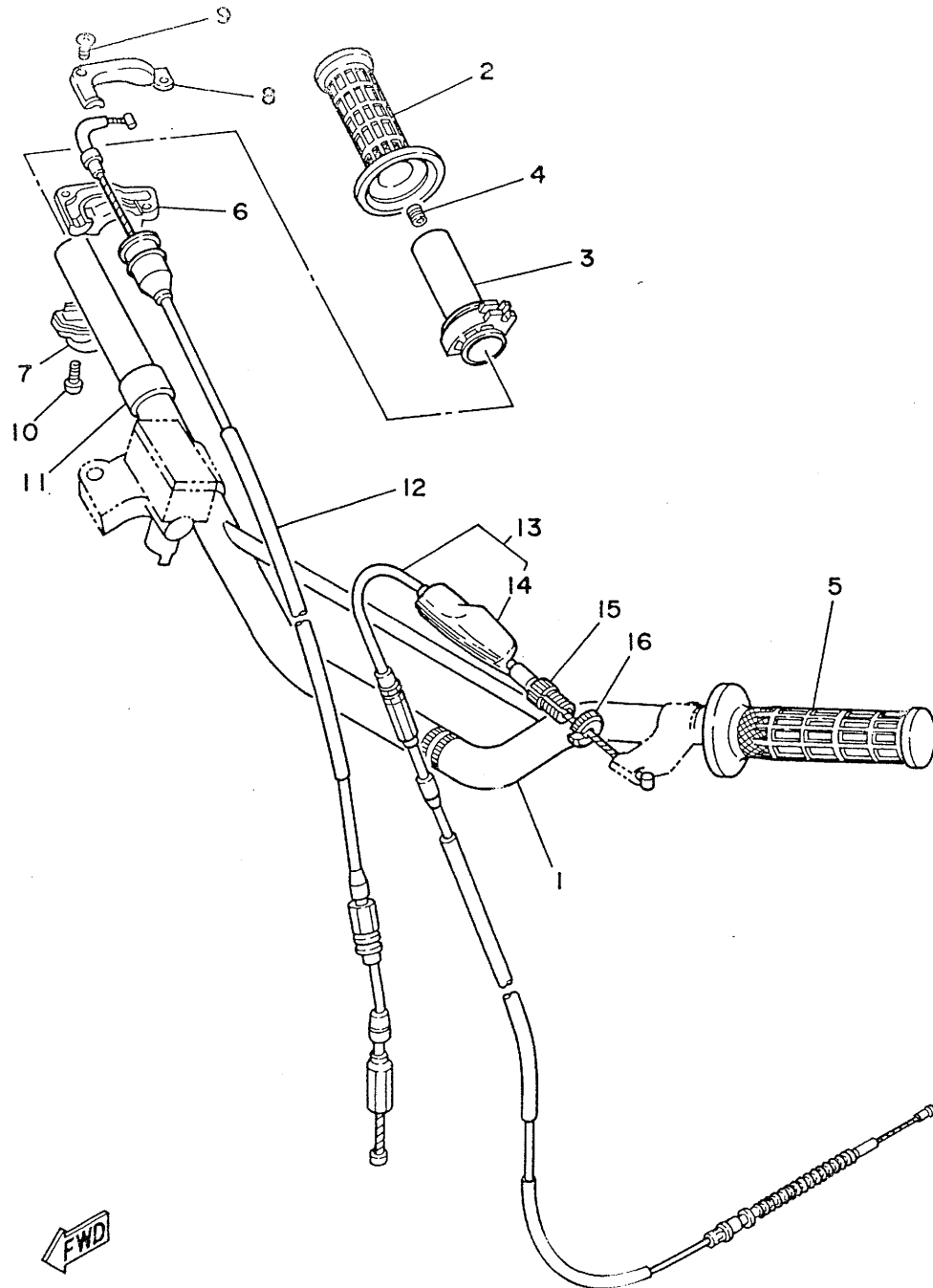


FIG. 27 STEERING HANDLE. CABLE

REF. NO.	PART NO.	DESCRIPTION	Q'TY	REMARKS
1	2HF-26111-00-8L	HANDLEBAR	1	NEBULAR GOLD
2	1LX-26242-01	GRIP (R.H)	1	
3	22W-26243-00	TUBE, throttle guide	1	
4	688-82535-00	GROMMET	1	
5	1LX-26241-01	GRIP (L.H)	1	
6	5X2-26281-00	CAP, grip upper	1	
7	322-26282-00	CAP, grip lower	1	
8	5X2-2628H-01	CAP, wire	1	
9	98706-04012	SCREW, flat head	2	
10	98506-05016	SCREW, pan head	2	
11	90387-22647	COLLAR	1	
12	22W-26311-00	CABLE, throttle 1	1	
13	39K-26335-01	CABLE, clutch	1	
14	382-26372-01	.COVER, handle lever 1	1	
15	90123-08013	BOLT	1	
16	90179-08148	NUT	1	



FRONT MASTER CYLINDER

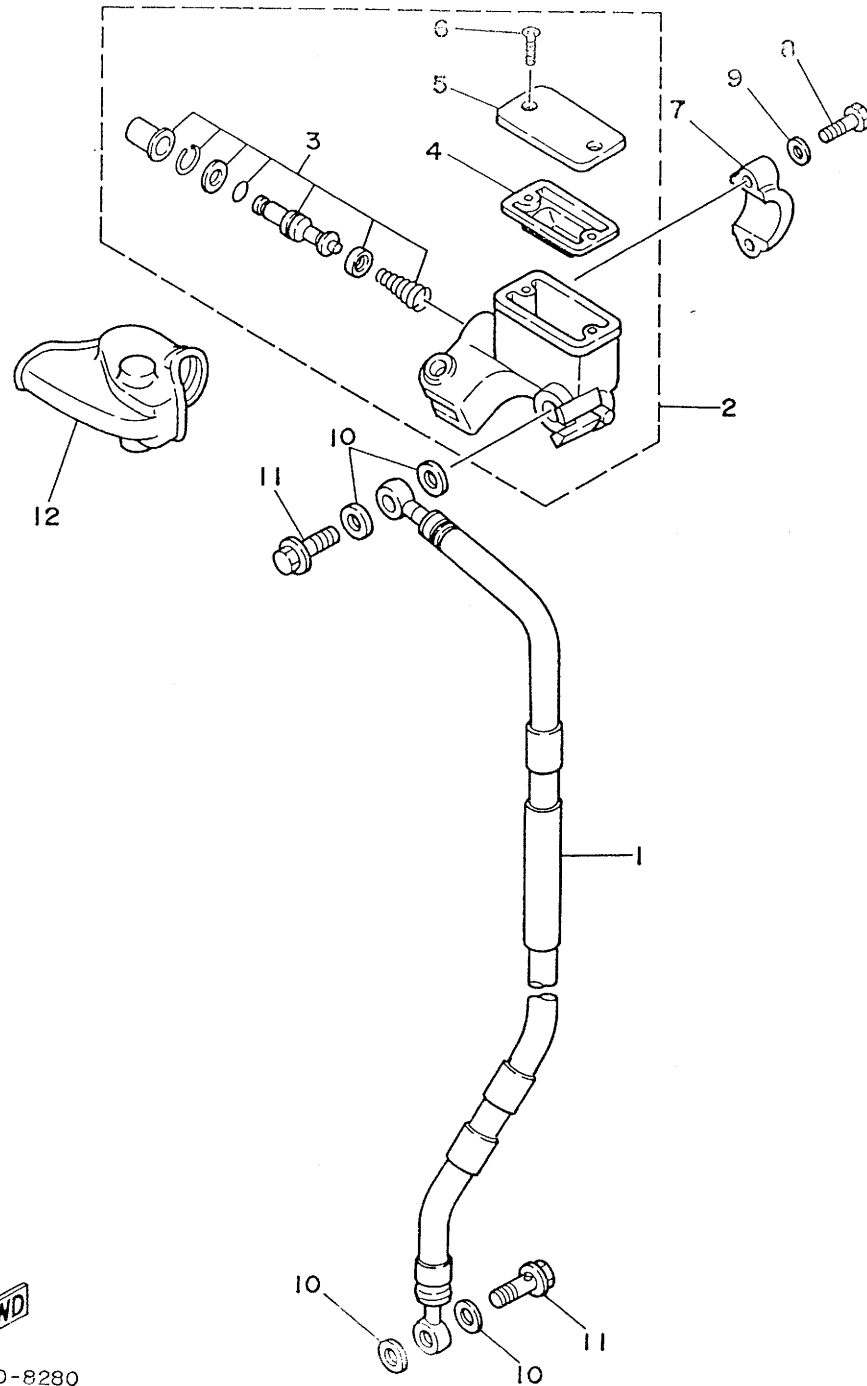
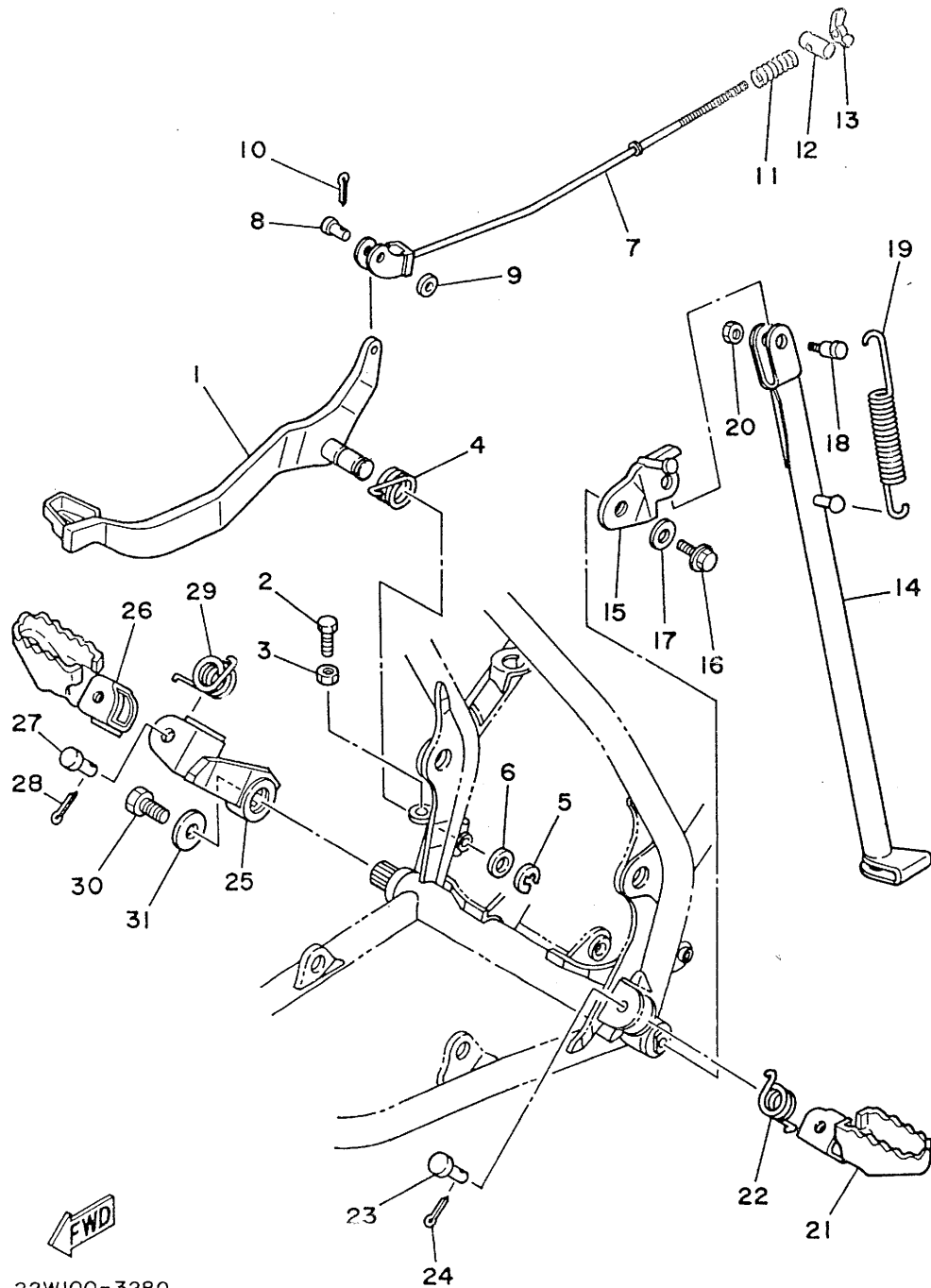


FIG. 28 FRONT MASTER CYLINDER

REF. NO.	PART NO.	DESCRIPTION	Q'TY	REMARKS
1	2HF-25872-00	HOSE, brake 1	1	
2	2VN-25850-00	MASTER CYLINDER ASSY	1	
3	56A-W0041-00	.CYLINDER KIT, master	1	
4	56A-25854-00	.DIAPHRAGM, reservoir	1	
5	2VN-25852-00	.CAP, reservoir	1	
6	98706-04012	.SCREW, flat head	2	
7	56A-25867-00	BRACKET, master cylinder	1	
8	97016-06025	BOLT	2	
9	92906-06600	WASHER, plate	2	
10	90201-10118	WASHER, plate	4	
11	90401-10034	BOLT, union	2	
12	56A-26372-00	COVER, handle lever 1	1	



STAND & FOOTREST



22W100-3280

FIG. 29 STAND. FOOTREST

REF. NO.	PART NO.	DESCRIPTION	Q'TY	REMARKS
1	1LR-27211-00	PEDAL, brake	1	
2	97001-06012	BOLT	1	
3	95303-06700	NUT	1	
4	90508-32468	SPRING, torsion	1	
5	99002-09600	CIRCLIP	1	
6	92902-12600	WASHER, plate	1	
7	39K-27231-00	ROD, brake	1	
8	90240-06040	PIN, clevis	1	
9	92901-06200	WASHER, plain	1	
10	91401-20015	PIN, cotter	1	
11	90501-10245	SPRING, compression	1	
12	90249-12008	PIN	1	
13	90175-06016	NUT, wing	1	
14	22W-27311-00-R4	STAND, side	1	BLACK
15	22W-27321-00	BRACKET, side stand	1	
16	91021-10016	BOLT, flange	1	
17	90201-102A2	WASHER, plate	1	
18	90109-08666	BOLT	1	
19	90506-26270	SPRING, tension	1	
20	95303-08700	NUT	1	
21	22W-27411-01-90	FOOTREST 1	1	UNI CHROME (BLACK)
22	90508-20023	SPRING, torsion	1	
23	90249-08195	PIN	1	
24	91401-25015	PIN, cotter	1	
25	5X2-27422-01-33	BRACKET, footrest 2	1	YAMAHA BLACK
26	22W-27421-01-90	FOOTREST 2	1	UNI CHROME (BLACK)
27	90249-08195	PIN	1	
28	91401-25015	PIN, cotter	1	

STAND & FOOTREST

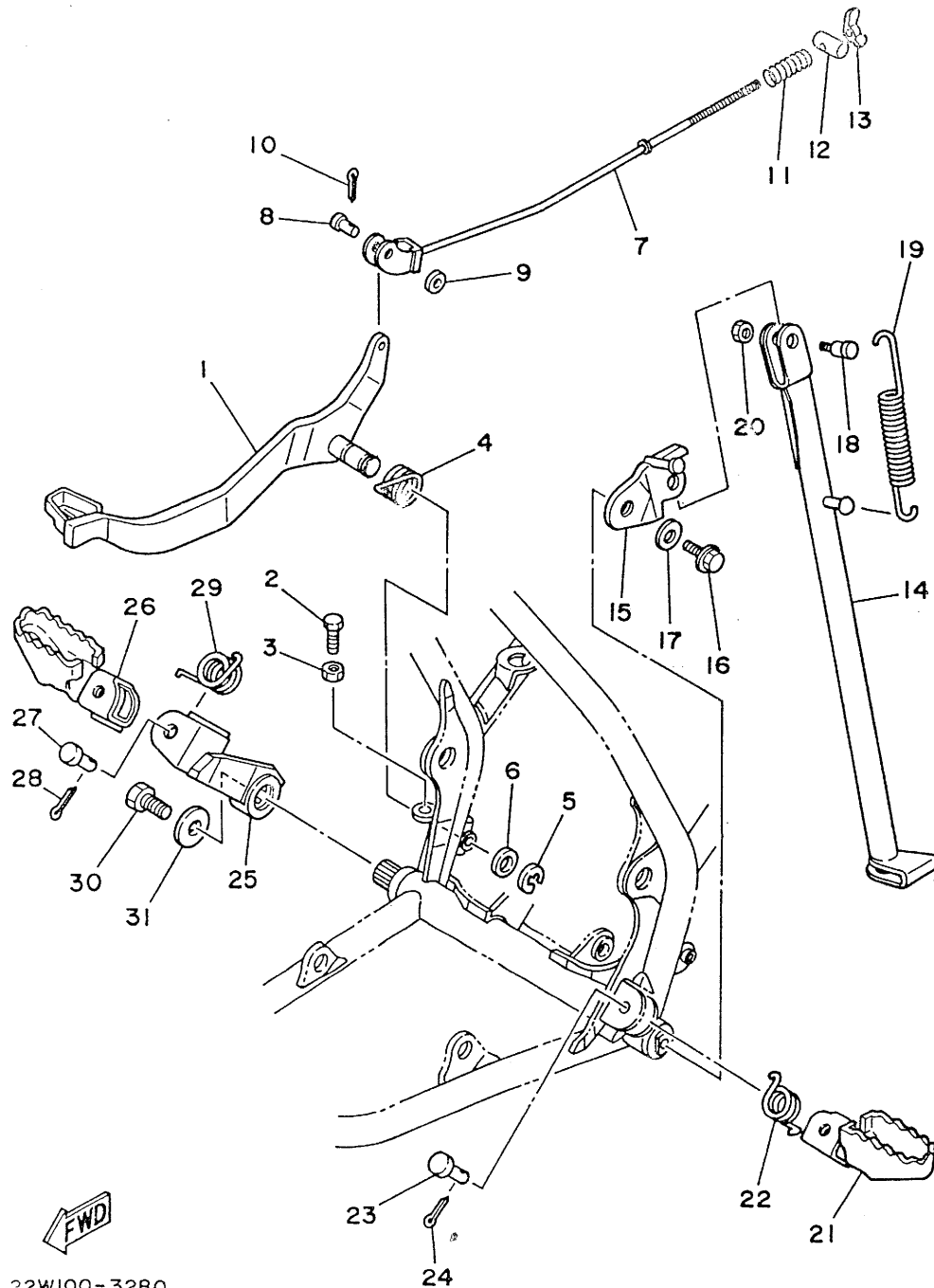


FIG. 29 STAND. FOOTREST

REF. NO.	PART NO.	DESCRIPTION	Q'TY	REMARKS
29	90508-20023	SPRING, torsion	1	
30	97011-10022	BOLT	1	
31	90201-10144	WASHER, plate	1	

GENERATOR

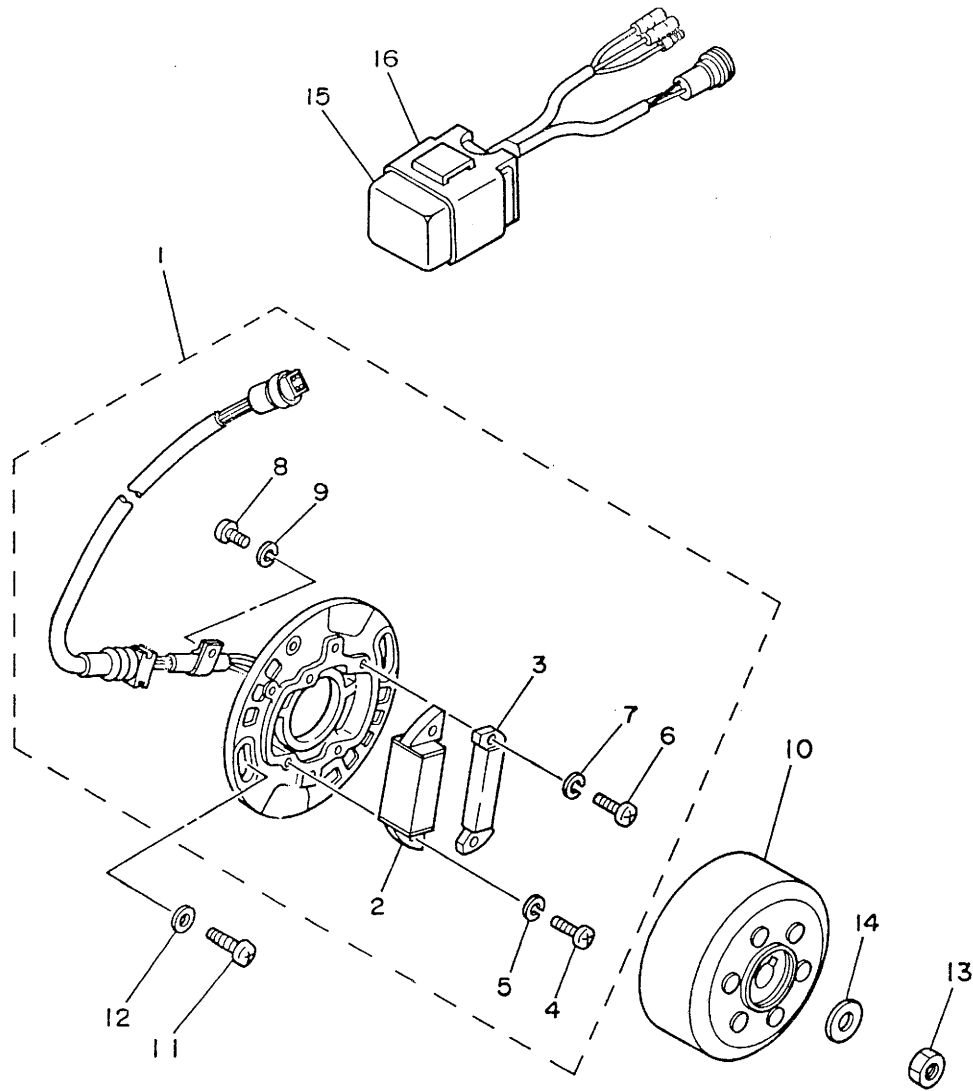


FIG. 30 GENERATOR

REF. NO.	PART NO.	DESCRIPTION	Q'TY	REMARKS
1	1LR-85510-20	STATOR ASSY	1	
2	39K-85512-20	.COIL, source	1	
3	39K-85580-20	.COIL, pulser	1	
4	98511-04025	.SCREW, pan head	2	
5	92990-04100	.WASHER, spring	2	
6	98503-04014	.SCREW, pan head	2	
7	92990-04100	.WASHER, spring	2	
8	98501-04008	.SCREW, pan head	1	
9	92990-04100	.WASHER, spring	1	
10	39K-85550-20	ROTOR ASSY	1	
11	92501-06014	SCREW, pan head	2	
12	90201-061A5	WASHER, plate	2	
13	95311-10600	NUT	1	
14	90201-10774	WASHER, plate	1	
15	1LR-85540-20	C.D.I. UNIT ASSY	1	
16	2A7-85546-00	BAND	1	



HANDLE SWITCH & LEVER

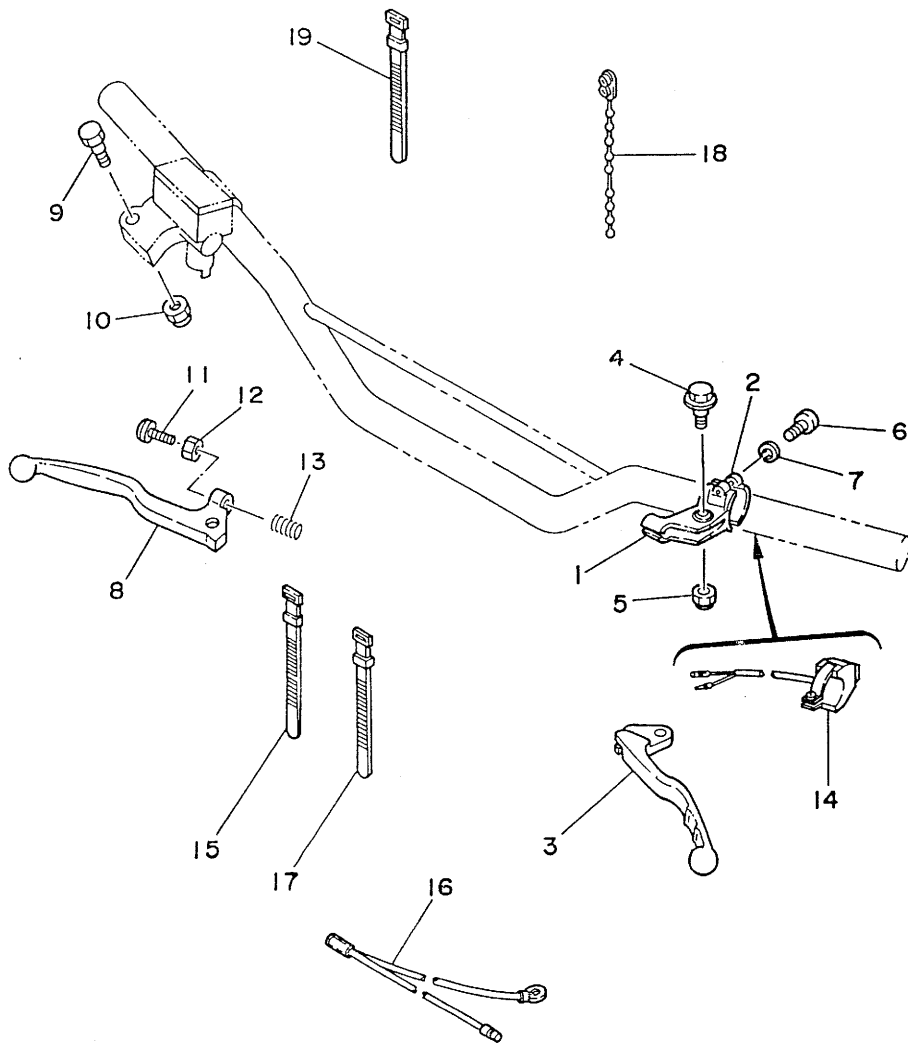


FIG. 31 HANDLE SWITCH, LEVER

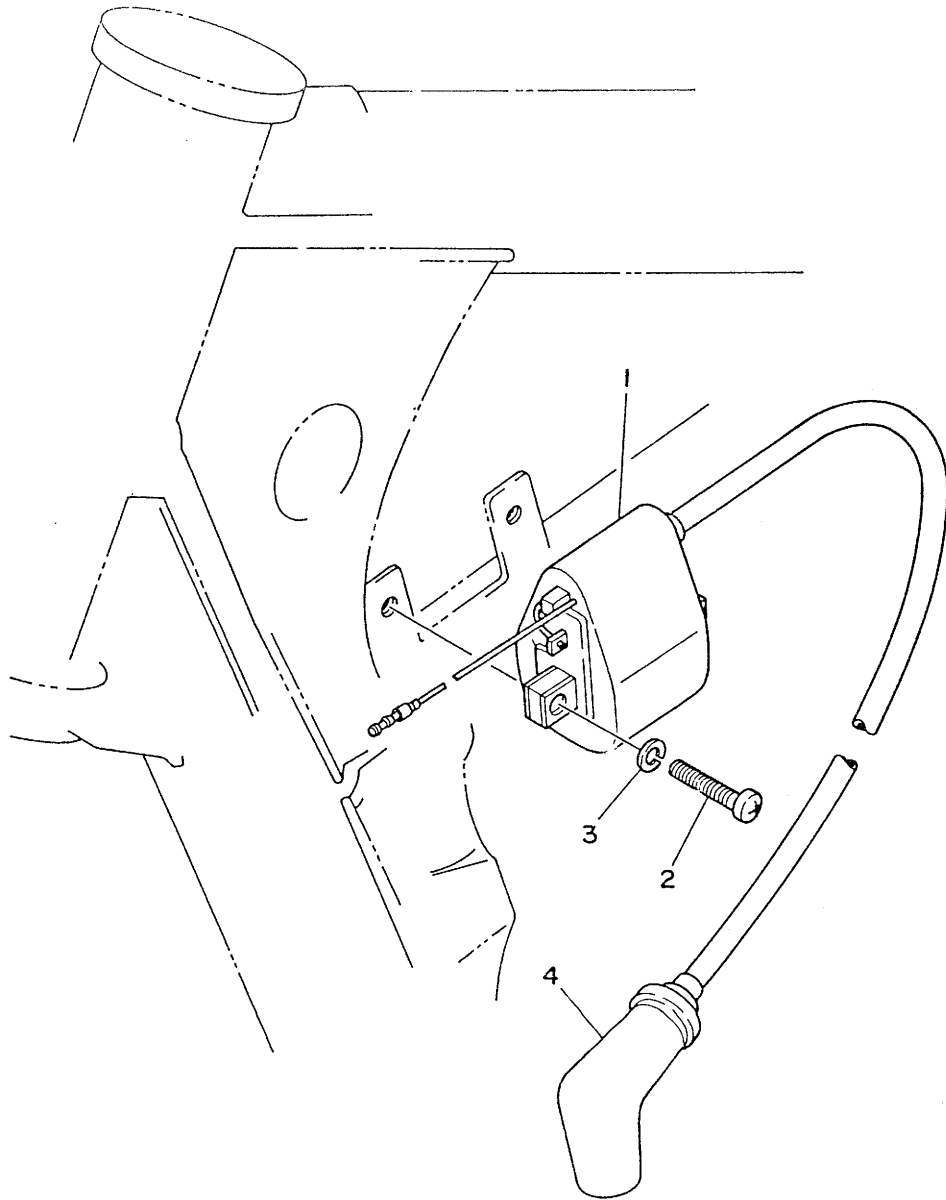
REF. NO.	PART NO.	DESCRIPTION	Q'TY	REMARKS
1	38V-82911-00	HOLDER, lever 1	1	
2	38V-82913-00	HOLDER, lever lower 1	1	
3	23X-83912-00	LEVER 1	1	
4	90109-06798	BOLT	1	
5	95606-06100	NUT, u	1	
6	98506-05018	SCREW, pan head	2	
7	92906-05100	WASHER, spring	2	
8	55X-83922-00	LEVER 2	1	
9	90109-06577	BOLT	1	
10	95606-06100	NUT, u	1	
11	90149-06153	SCREW	1	
12	90170-06010	NUT	1	
13	90501-10312	SPRING, compression	1	
14	22W-83976-00	SWITCH, handle 1	1	
15	437-83936-00	BAND, switch cord	2	
16	5X1-82519-01	WIRE, earth lead	1	
17	437-83936-10	BAND, switch cord	1	
18	90464-20031	CLAMP	1	
19	25G-83936-00	BAND, switch cord	1	



ELECTRICAL 1

FIG. 32 ELECTRICAL 1

REF. NO.	PART NO.	DESCRIPTION	Q'TY	REMARKS
1	39K-82310-40	IGNITION COIL ASSY	1	
2	92501-06020	SCREW, pan head	2	
3	92990-06100	WASHER, spring	2	
4	3R0-82370-20	PLUG CAP ASSY	1	UR
	1M1-82370-21	PLUG CAP ASSY	1	UR WITH NOISE SUPPRESSOR



ALTERNATE 1 (CHASSIS)

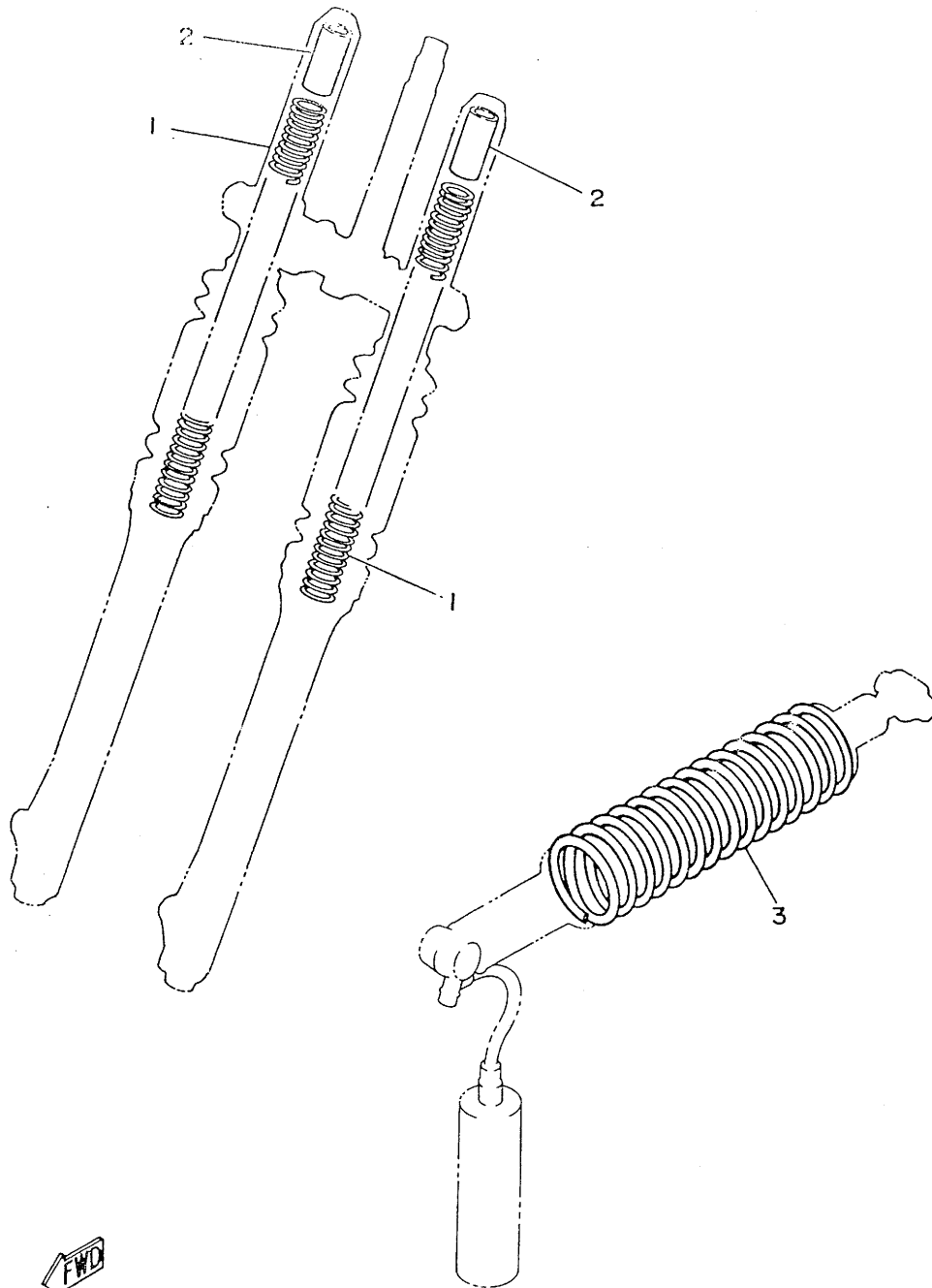


FIG. 33 ALTERNATE 1 (CHASSIS)

REF. NO.	PART NO.	DESCRIPTION	Q'TY	REMARKS
1	39K-23141-20	SPRING, front fork (K=0.25)	2	(HARD)
2	47J-23118-00	SPACER	2	
3	2HF-22212-20-6W	SPRING	1	UR NATIVE RED (SOFT)
	2HF-22212-30-6W	SPRING	1	UR NATIVE RED (HARD)

