



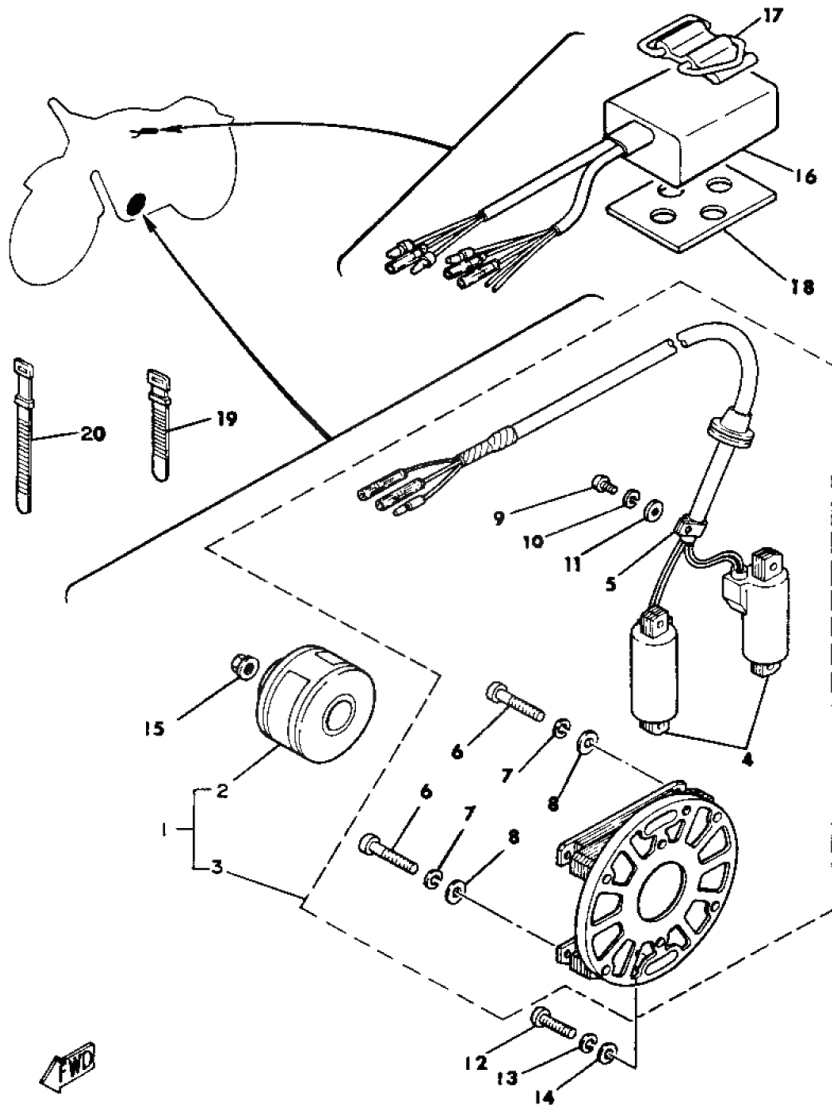
YAMAHA
GENUINE
PARTS CATALOGUE
MOTORCYCLE

125 YZ 1981 - TYPE H

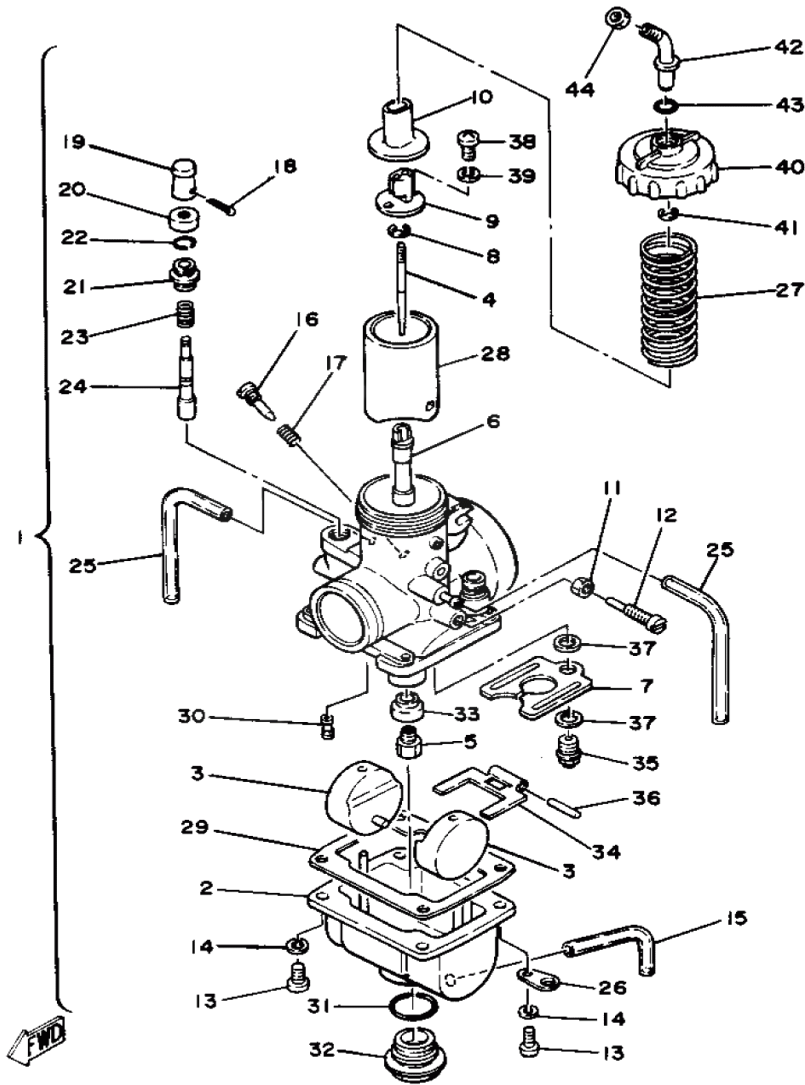
CHARGING SYSTEM	Flywheel Magneto
Batter : Model / Specific Gravity / Charge Rate	N/A
Maximum Output	N/A
TROUBLESHOOTING	
Field Coil Color /	N/A
Charge Coil Color Code	N/A
IGNITION SYSTEM	
Ignition Timing	Capacitor Discharge Ignition 2.27mm BTDC
Spark Plug Type	Champion N-2G
Spark Plug Gap / Torque / Cap	0.7mm / 2.5 m-ka / 0 Ohm
Point Gap / Condenser Capacitance	N/A /N/A
TROUBLESHOOTING	
Ignition Coil Test Gap / Primary / Secondary	6mm / 0.60 Ohm +- 10% / 6.2K Ohm +-20%
Pulser Coil or Pickup Coil Color Code	Red ~ White-Red / 270 Ohm +-10%
Source Coil Color Code	Brown ~ Red / 1437 Ohm +- 10%
LIGHTING SYSTEM	
Headlight /Taillight / Signal Rating	N/A
TROUBLESHOOTING	
Lighting Coil Color Code	N/A
TORQUE VALUES	
Front Axle Nut	14 x 1.5 : 8.5 m-ka
Front Axle Holder Nut	8 x 1.25 : 1.0 m-ka
Rear Axle Nut	14 x 1.5 : 8.5 m-ka
Rear axle Pinch Bolt	N/A
Clutch Nut	14 x 1.5 : 5.0 m-ka Use Lock Washer
Drain nut	14 x 1.25 : 2.5 m-ka
Cylinder Head Cover	N/A
Cylinder Head	Nut 8 x 1.25 : 3.0 m-ka Stud 8 x 1.25 : 2.5 m-ka
Engine Mounting Bolts :	
Front Upper	8 x 1.25 m-ka
Rear Lower	8 x 1.25 m-ka
Front Stay	8 x 1.25 m-ka
Pivot Shaft	16 x 1.50 : 8.5 m-ka

C.D.I. MAGNETO

Ref. No	Part Number	Description	Qty	Remark
1	3R3-85500-11-00	CDI MAGNETO ASSEMBLY	1	NLA <i>(No Longer Available)</i>
2	3R3-85550-10-00	ROTOR ASSEMBLY	1	NLA
3	3R3-85510-11-00	STATOR ASSEMBLY	1	NLA
4	3R3-85520-11-00	COIL, CHARGE	1	NLA
5	109-81328-11-00	CLAMP NLA	1	
6	98517-05030-00 !	SCREW, PAN HEAD	6	replace 98501-05030
7	92990-05100-00	WASHER, SPRING	6	
8	92990-05600-00 !	WASHER, PLATE	6	replace 92901-05600
9	98580-04008-00	SCREW, PAN HEAD	1	
10	92990-04100-00 !	WASHER, SPRING	1	replace 92901-04100
11	92990-04600-00 !	WASHER, PLATE	1	
12	98580-06020-00	SCREW, PAN HEAD	2	
13	92995-06100-00	WASHER, SPRING	2	
14	92990-06600-00 !	WASHER, PLATE	2	replace 92901-06600
15	90179-10257-00	NUT, SPECL SHAPE	1	NLA
16	3R3-85540-11-00	CDI UNIT ASSEMBLY	1	NLA
17	116-82131-00-00	BAND, BATTERY	1	
18	1M2-85547-00-00	DAMPER NLA	1	
19	437-83936-01-00	BAND, SWITCH CORD	2	
20	25G-83936-01-00	BAND, SWITCH CORD	1	



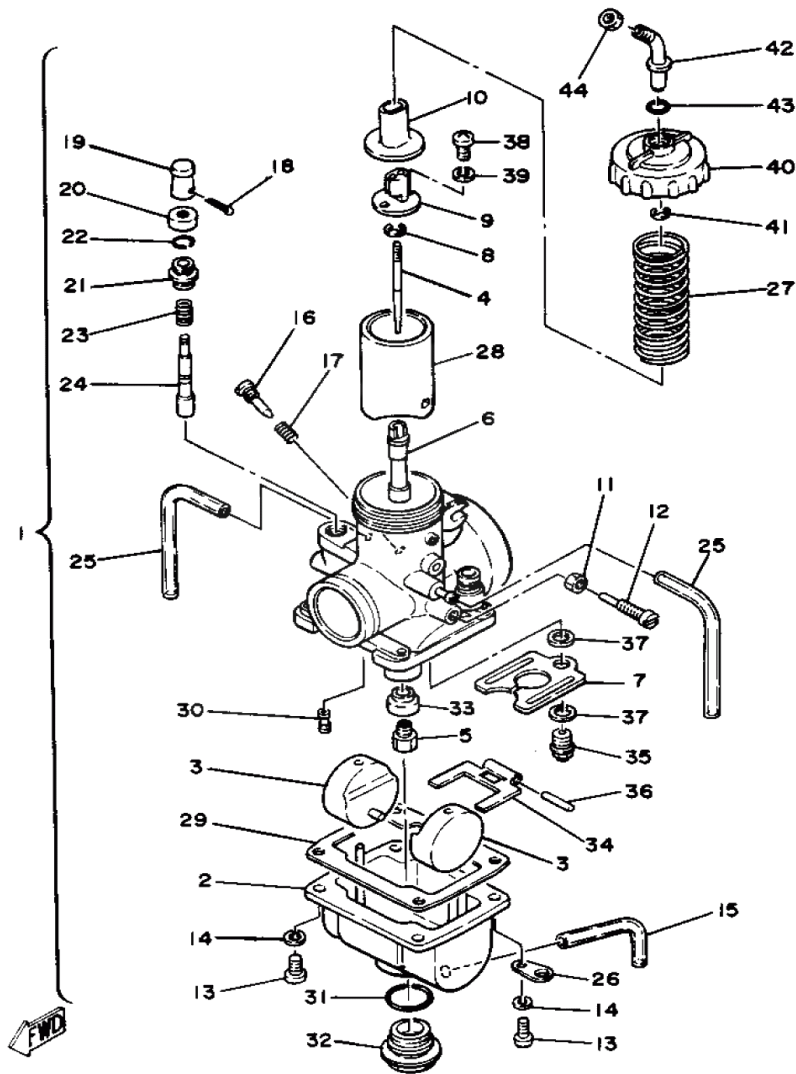
CARBURETOR



Ref. No	Part Number	Description	Qty	Remark
1	4V2-14101-10-00	CARBURETOR ASSEMBLY 1	1	NLA
2	3R3-14181-16-00	BODY, FLOAT CHMBR 1	1	NLA
3	310-14185-00-00	FLOAT	2	
4	239-14116-21-00	NEEDLE (6F21-3)	1	NLA
5	137-14143-66-A1	JET, MAIN (#330) U.R.	1	
5	137-14143-70-00	JET, MAIN (350) U.R.	1	
5	137-14143-68-00	JET, MAIN (#340) U.R. STD	1	
6	239-14141-48-00	NOZZLE, MAIN P-8	1	NLA
7	483-14146-00-00	PLATE 1		
8	3FA-14137-00-00 !	CLIP	1	replace 164-14137-00
9	509-14274-00-00	CONNECTOR	1	NLA
10	509-14136-00-00	SEAT, SPRING	1	NLA
11	802-14161-00-00	NUT, CABLE ADJUSTING	1	
12	40T-14103-00-00 !	THROTTLE SCREW SET	1	replace 24X-14103-00
13	97885-05016-00 !	SCREW, PAN HEAD	4	replace 98580-05016
14	92990-05100-00	WASHER, SPRING	4	
15	2J2-14196-00-00	PIPE	1	
16	23X-14104-00-00	AIR SCREW SET	1	
17	127-14134-00-00	SPRING, AIR ADJUSTING	1	
18	91490-16020-00	PIN, COTTER	1	
19	737-14261-00-00	HOLDER	1	NLA
20	637-14173-00-00	COVER, PLUNGER CAP	1	
21	152-14174-00-00	CAP, PLUNGER	1	

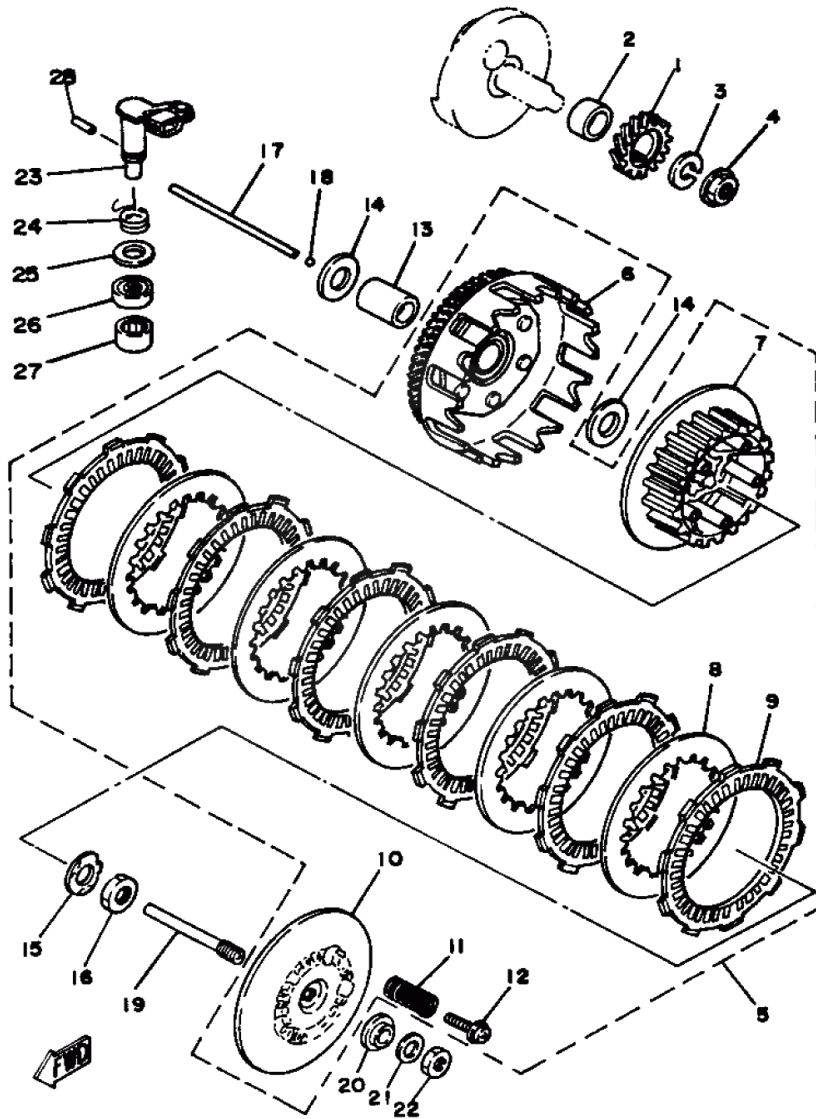
Continued on next frame =>

CARBURETOR



Ref. No	Part Number	Description	Qty	Remark
22	353-14138-00-00	CLIP, PLUNGER	1	
23	132-14135-00-00	SPRING, PLUNGER	1	
24	737-14171-01-00	PLUNGER, STARTER	1	NLA
25	89A-14987-00-00	HOSE	2	replace 310-14197-00
26	313-14146-00-00	PLATE	2	
27	431-14131-00-00	SPRING, THROTTLE VALVE	1	NLA
28	3R6-14112-25-00	VALVE, THROTTLE 1	1	NLA
29	483-14184-00-00	GASKET, FLOAT CHAMBER	1	
30	193-14142-80-00	JET, PILOT (80)	1	
31	2K6-14147-00-00	O-RING	1	
32	2K6-14115-00-00	PLUG, SCREW	1	NLA
33	3R3-14153-00-00	WASHER, MAIN JET	1	NLA
34	310-14187-00-00	ARM, FLOAT	1	NLA
35	24X-14107-33-00	NEEDLE VALVE SET (#3.3)	1	
36	537-14186-00-00	PIN, FLOAT	1	
37	239-14195-00-00	WASHER, NEEDLE VALVE	2	
38	98580-03008-00	SCREW, PAN HEAD	2	
39	92990-03100-00	WASHER, SPRING	2	
40	3R3-14158-00-00	TOP, MIXING CHAMBER	1	
41	363-14137-00-00	CLIP	1	
42	24X-14106-00-00	CBLE AJST SCRW SET	1	NLA
43	8F2-14147-00-00	O-RING	1	
44	127-14161-00-00	NUT, CABLE ADJUSTING	1	

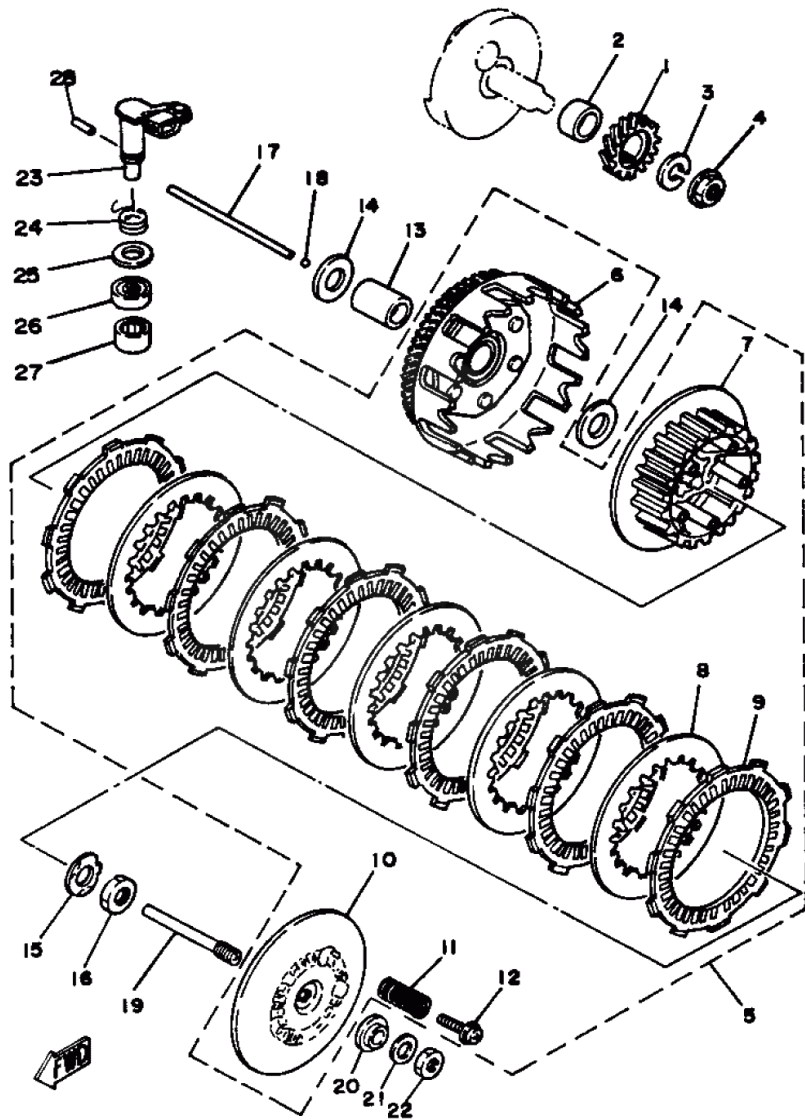
CLUTCH



Ref. No	Part Number	Description	Qty	Remark
1	4V2-16111-00-00	GEAR, PRI DRIVE (18T)	1	NLA
2	90387-201E7-00	COLLAR	1	NLA
3	90204-12007-00	WASHER, SPRING	1	
4	90179-12335-00	NUT, SPECL SHAPE	1	
5	4V2-16300-00-00	CLUTCH ASSEMBLY	1	NLA
6	4V2-16150-00-00	PRI DRVN GEAR (62T)	1	NLA
7	4V2-16371-01-00	BOSS, CLUTCH (4V2-16371-00)	1	NLA
8	336-16324-00-00 !	PLATE, CLUTCH 1	5	replace 137-16324-00
9	537-16321-00-00	PLATE, FRICTION	6	
10	1W1-16351-00-00	PLATE, PRESSURE 1	1	
11	90501-20361-00	SPRING, COMPRESSION	5	
12	90159-05011-00	SCREW, WITH WASHER	5	
13	90560-17190-00	SPACER	1	NLA
14	90201-174E1-00	WASHER, PLATE	2	
15	90215-14204-00	WASHER, LOCK	1	
16	90170-14171-00	NUT	1	
17	257-16357-00-00	ROD, PUSH 2	1	
18	93503-16003-00 !	BALL	1	replace 93503-16010
19	1W1-16356-02-00	ROD, PUSH 1	1	
20	1W1-16358-01-00 !	PLATE, PUSH	1	replace 30X-16358-00
21	92990-06200-00	WASHER, PLAIN	1	
22	95380-06600-00	NUT, HEXAGON	1	
23	3R3-16380-02-00	PUSH LEVER ASSEMBLY	1	
24	90508-14426-00	SPRING, TORSION	1	

Continued on next frame =>

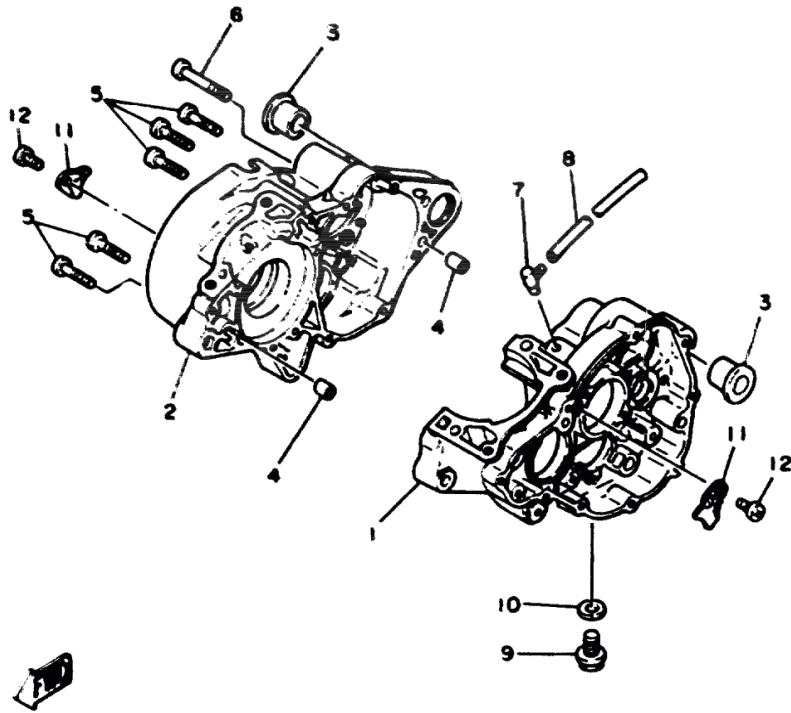
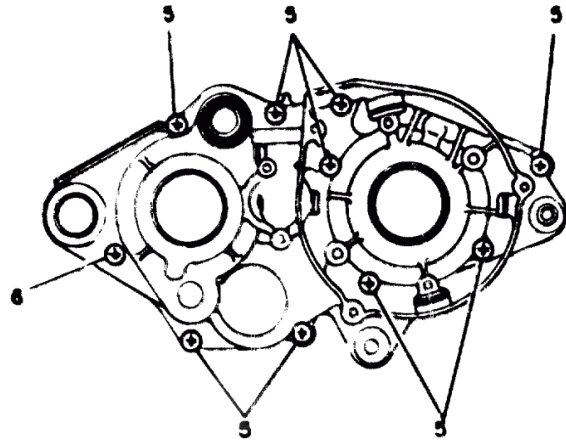
CLUTCH



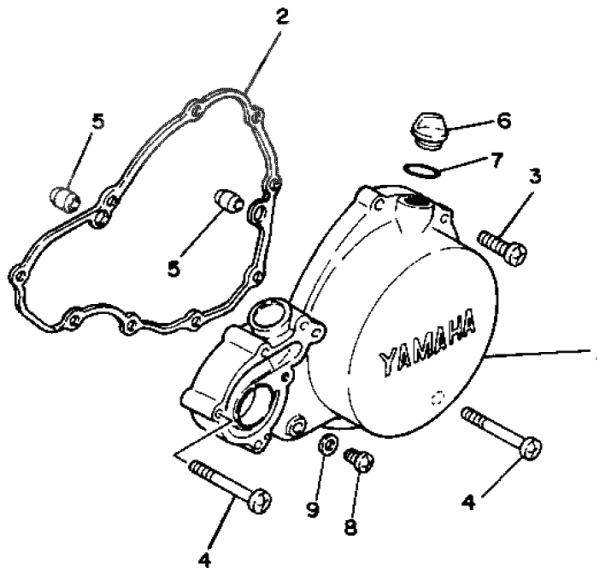
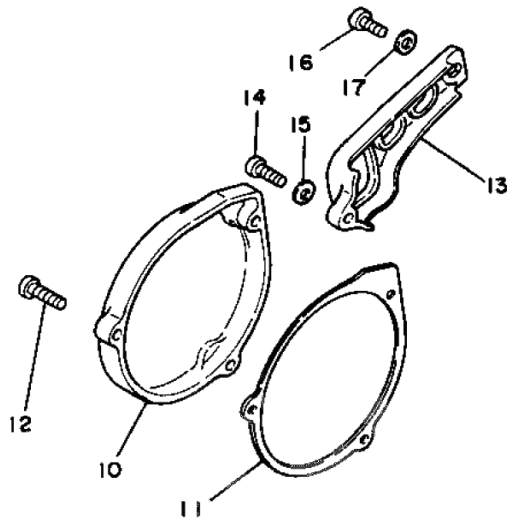
Ref. No	Part Number	Description	Qty	Remark
25	90201-14217-00	WASHER, PLATE	1	
26	93104-14059-00	OIL SEAL	1	
27	93315-21429-00	BEARING	1	
28	93604-16092-00	PIN, DOWEL	1	

CRANKCASE

Ref. No	Part Number	Description	Qty	Remark
1	4V2-15111-00-00	CRANKCASE 1	1	NLA
2	4V2-15121-00-00	CRANKCASE 2	1	NLA
3	90387-16781-00	COLLAR	2	NLA
4	99530-10014-00	PIN, DOWEL	9	
5	91317-06035-00 !	BOLT	1	replace 91316-06035
6	91317-06050-00 !	BOLT	1	replace 91316-06050
7	5UG-15371-00-00 !	BREATHER	1	replace 2N4-15371-00
8	90445-072G8-00 !	HOSE	1	replace 90445-07340
9	90340-12097-00	PLUG, STRAIGHT SCREW	1	
10	90430-12207-00	GASKET	1	
11	3R3-15128-01-00	HOLDER	2	
12	98507-08010-00 !	SCREW, PAN HEAD	2	replace 92501-08010

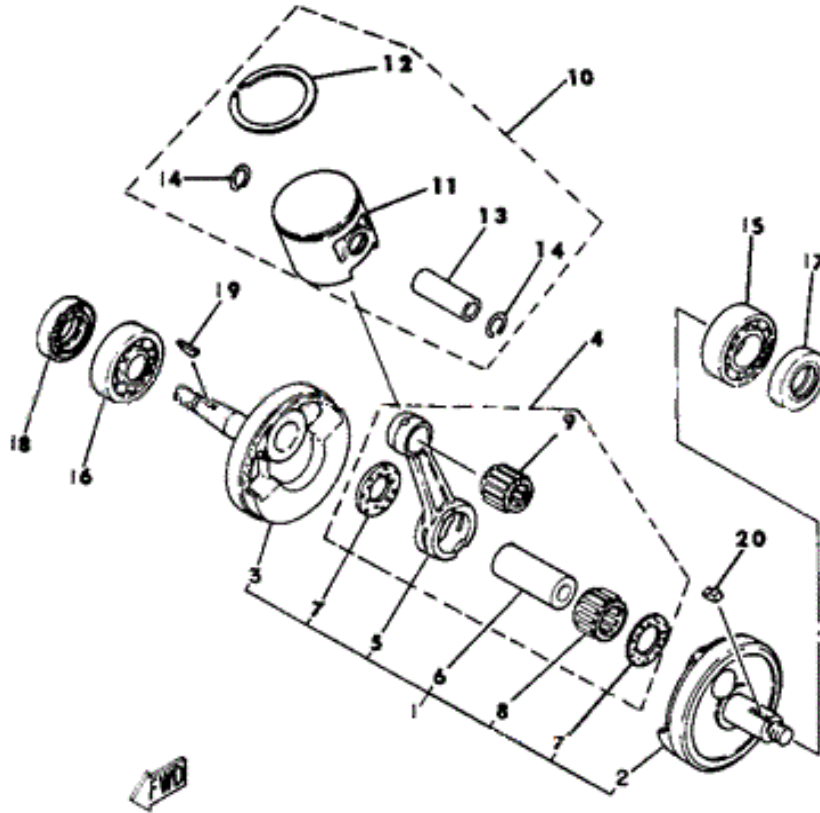


CRANKCASE COVER



Ref. No	Part Number	Description	Qty	Remark
1	4V2-15411-00-00	COVER, CRANKCASE L	1	NLA
2	4V2-15451-01-00 !	GASKET,CRCS COVER	1	replace 4V2-15451-00
3	98517-06025-00 !	SCREW, PAN HEAD	7	replace 98506-06025
4	98507-06055-00 !	SCREW, PAN HEAD	2	replace 98506-06055
5	99530-10014-00	PIN, DOWEL	2	
6	1G8-15362-00-00	PLUG, OIL LEVEL	1	
7	93210-14579-00 !	O-RING	1	replace 93210-14104
8	98517-06008-00 !	SCREW	1	replace 98506-06008
9	90430-06016-00	GASKET	1	
10	3R3-15421-00-00	COVER, CRANKCASE R	1	NLA
11	4V2-15455-00-00	GASKET 1	1	NLA
12	98517-06025-00 !	SCREW, PAN HEAD	3	replace 98506-06025
13	55Y-15431-00-00	COVER, CRANKCASE 3	1	NLA
14	98507-06014-00 !	SCREW, PAN HEAD	1	replace 98503-06014
15	90201-06380-00 !	WASHER, PLATE	1	replace 90201-06067
16	98580-06020-00	SCREW, PAN HEAD	1	
17	92990-06200-00	WASHER, PLAIN	1	

CRANKSHAFT - PISTON



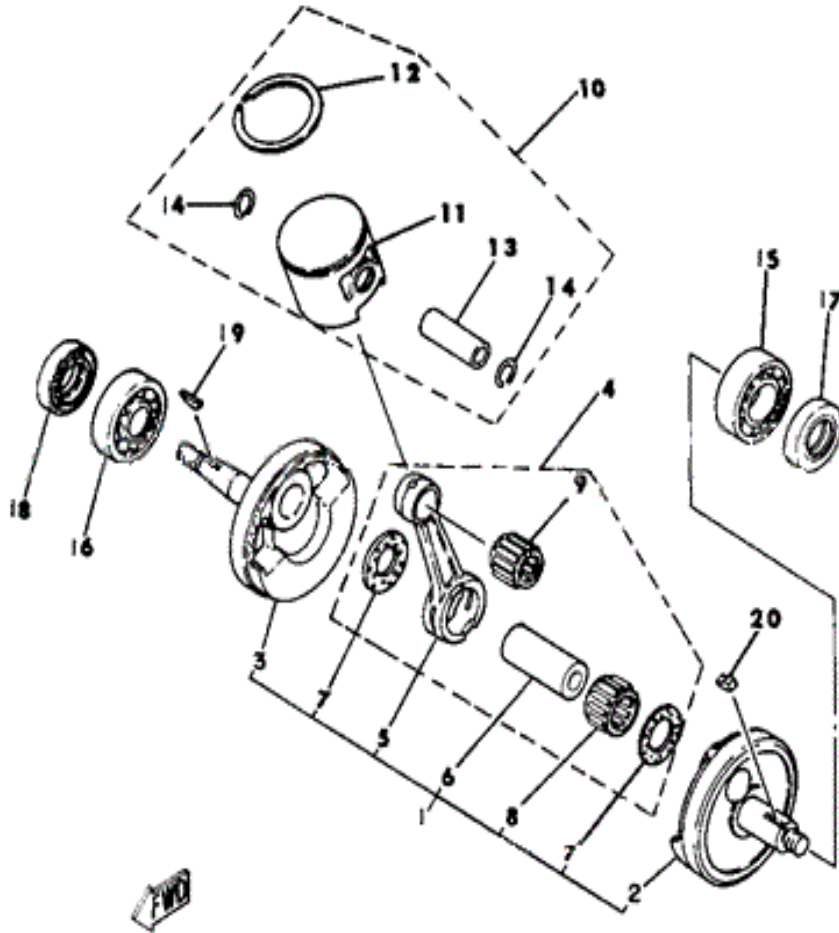
Ref. No	Part Number	Description	Qty	Remark
1	4V2-11400-00-00	CRANKSHAFT ASSEMBLY	1	NLA
2	4V2-11412-00-00	CRANK 1	1	NLA
3	4V2-11422-00-00	CRANK 2	1	NLA
4	4V2-11650-00-00	CONNECTING ROD ASSY	1	NLA
5	4V2-11651-00-00	ROD, CONNECTING	1	
6	3M5-11681-00-00	PIN, CRANK 1	1	
7	90209-22248-00	WASHER	2	
8	93310-422H0-00	BEARING, CYLINDER.#10	1	
9	93310-216L2-00	BEARING, CYLINDRICAL	1	
10	4V2-11630-00-00	PISTON KIT STD (STD) ASSY	1	NLA
11	3N8-11631-10-93 !	PISTON STD	1	NLA
12	2K6-11611-00-00	RING, PISTON STD (STD)	1	NLA
13	137-11633-10-00 !	PIN, PISTON	1	
14	93450-17129-00	CIRCLIP	2	
15	93306-30421-00	BEARING	1	
16	93306-20529-00	BEARING (B6205C4)	1	
17	93103-28011-00	OIL SEAL, SW-TYPE	1	replace 93103-28100
18	93102-25258-00	OIL SEAL, SD-TYPE	1	
19	90280-03017-00	KEY, WOODRUFF	1	

Continued on next frame =>

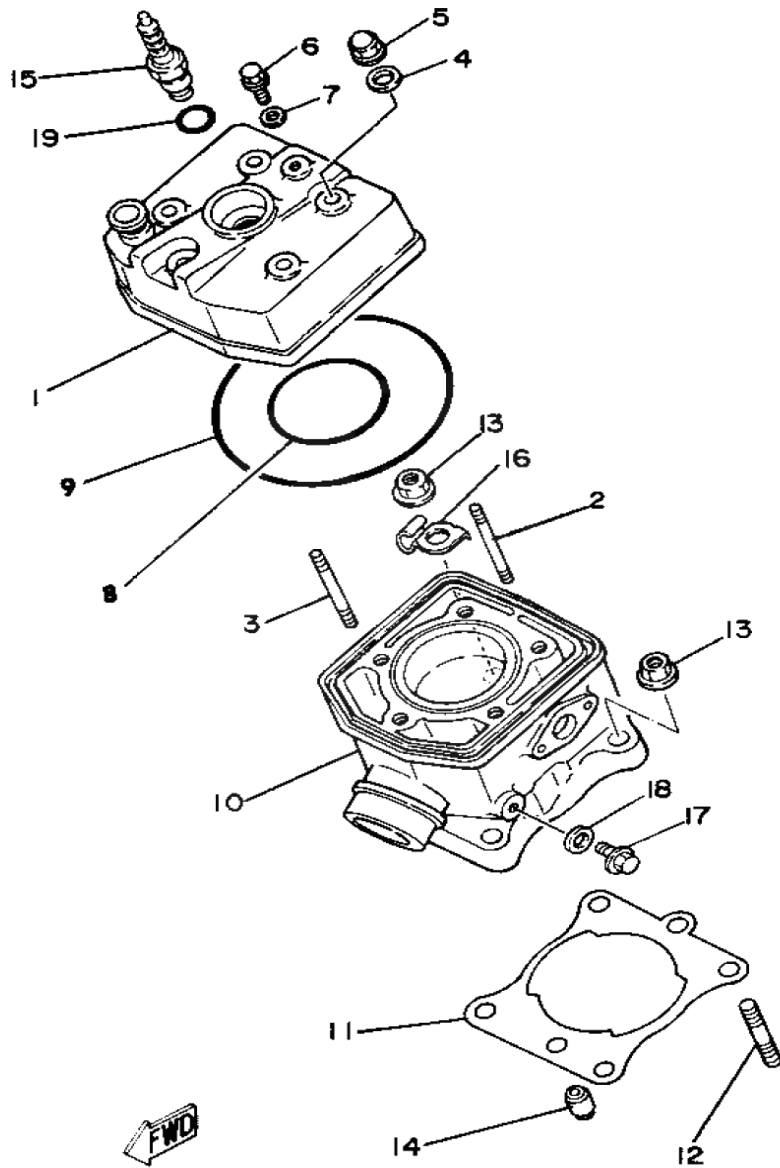
CRANKSHAFT - PISTON

Ref. No	Part Number	Description	Qty	Remark
---------	-------------	-------------	-----	--------

20	2K6-11611-10-00	RING, PISTON 1ST	1	NLA
	2K6-11611-20-00	RING, PISTON 2ND	1	
	2K6-11611-30-00	RING, PISTON 3RD	1	NLA
	2K6-11611-40-00	RING, PISTON 4TH	1	NLA
	90282-05046-00	KEY, STRAIGHT	1	
	4V2-11630-10-00	PISTON KIT 1ST	1	NLA
	4V2-11630-20-00	PISTON KIT 2ND	1	NLA
	4V2-11630-30-00	PISTON KIT 3RD	1	NLA
	4V2-11630-40-00	PISTON KIT 4TH	1	NLA
	3N8-11635-10-00	PISTON 1 O/S 0.25	1	NLA
	3N8-11636-10-00	PISTON 2 O/S 0.50	1	NLA
	3N8-11637-10-00	PISTON 3 O/S 0.75	1	NLA
	3N8-11638-10-00	PISTON 4 O/S 1.00	1	NLA



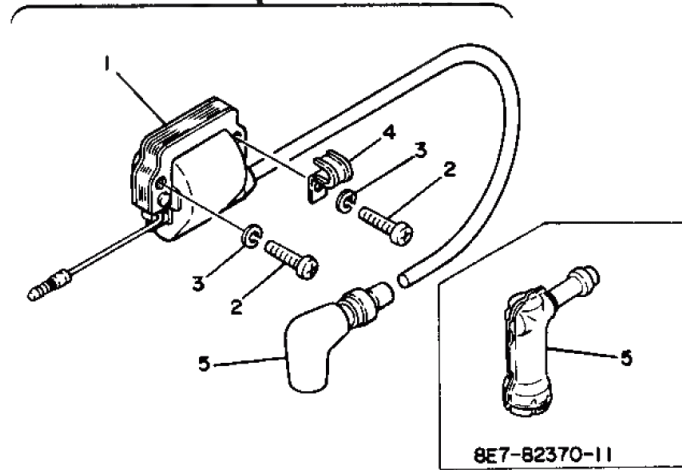
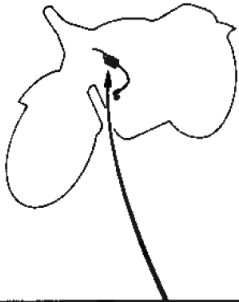
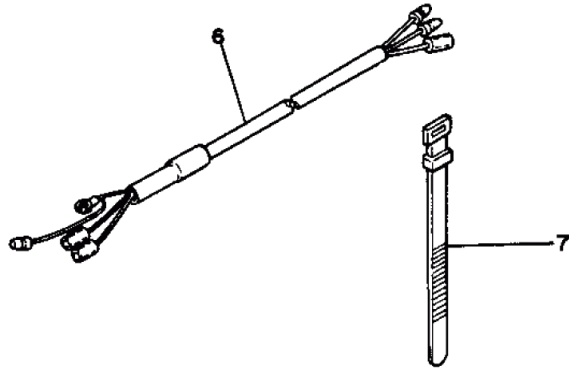
CYLINDER



Ref. No	Part Number	Description	Qty	Remark
1	4V2-11111-00-00	HEAD, CYLINDER 1	1	NLA
2	90116-08302-00	BOLT, STUD	4	
3	90116-08364-00	BOLT, STUD	1	NLA
4	90201-08087-00	WASHER, PLATE	5	
5	90176-08026-00	NUT, CROWN	5	
6	95817-06010-00 !	BOLT, FLANGE	1	replace 95811-06010-00
7	90430-06166-00	GASKET	1	
8	93210-69434-00	O-RING	1	
9	93211-19413-00	O-RING	1	
10	4V2-11311-00-00	CYLINDER 1	1	NLA
11	4V2-11351-01-00 !	GASKET,CYLINDER	1	replace 4V2-11351-00
12	90116-10132-00	BOLT, STUD	4	NLA
13	95704-10500-00 !	NUT, FLANGE	4	replace 95701-10500-00
14	99530-10014-00	PIN, DOWEL	2	
15	BR1-0EIX0-00-00 !	BR10EIX NGK SPLUG	1	replace NGK-B10EV-00
16	4V2-1131E-00-00	HOLDER 1	1	NLA
17	95027-08012-00 !	BOLT, FLANGE	1	replace 90105-08163-00
18	90201-08087-00	WASHER, PLATE	1	
19	93210-16290-00	O-RING	1	

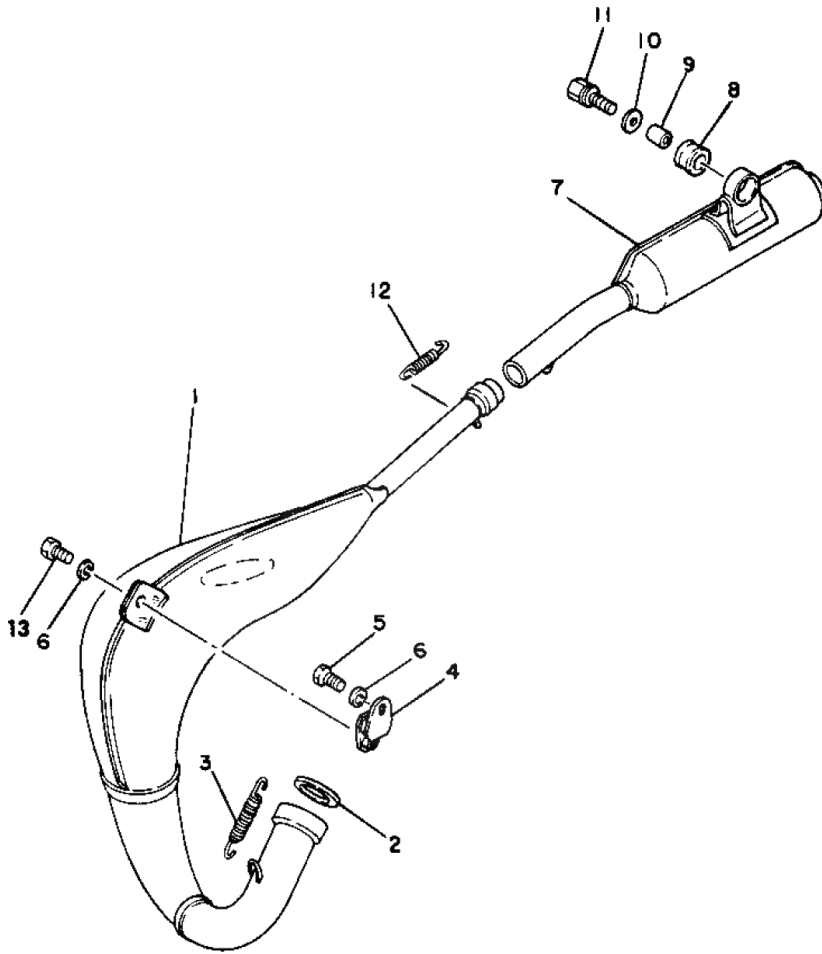
ELECTRICAL

Ref. No	Part Number	Description	Qty	Remark
1	2X6-82310-10-00	IGNITION COIL ASSEMBLY	1	
2	98517-06025-00 !	SCREW, PAN HEAD	2	replace 98511-06025
3	92995-06100-00	WASHER, SPRING	2	
4	90462-05005-00	CLAMP	1	
5	8DG-82370-00-00 !	PLUG CAP ASSY U.R.	1	replace 81E82-37020
5	7KA-82370-00-00 !	PLUG CAP ASY U.R.	1	W/NOISE SUPPRESSOR replace 8E782-37011
6	5X3-82590-00-00	WIRE HARNESS ASSEMBLY	1	NLA
7	437-83936-11-00	BAND, SWITCH CORD 1		

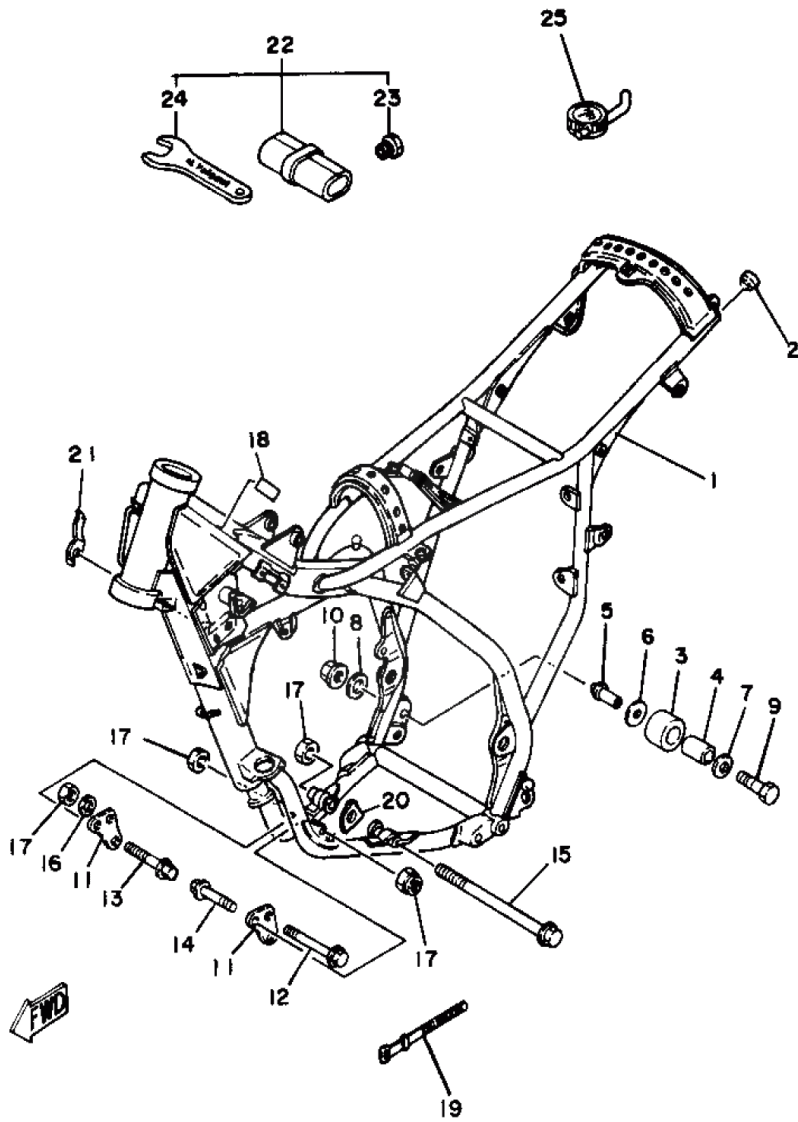


EXHAUST

Ref. No	Part Number	Description	Qty	Remark
1	4V2-14610-00-00	EXHAUST PIPE ASSEMBLY L	1	NLA
2	3R3-14613-00-00	GASKET, EXHAUST PIPE	1	
3	90507-20030-00	SPRING, TENSION	2	
4	565-14771-00-00	STAY, MUFFLER 1	1	
5	97095-06016-00 !	BOLT	1	Replace 97313-06016
6	92995-06100-00	WASHER, SPRING	2	
7	3R3-14753-00-00	SILENCER, EXHAUST	1	NLA
8	90480-22269-00	GROMMET	1	
9	90387-081A3-00	COLLAR	1	
10	90201-085E6-00	WASHER, PLATE	1	
11	90109-08512-00	BOLT	1	
12	90506-20192-00	SPRING, TENSION	1	
13	97017-06020-00 !	BOLT	1	replace 97001-06018



FRAME - TOOL



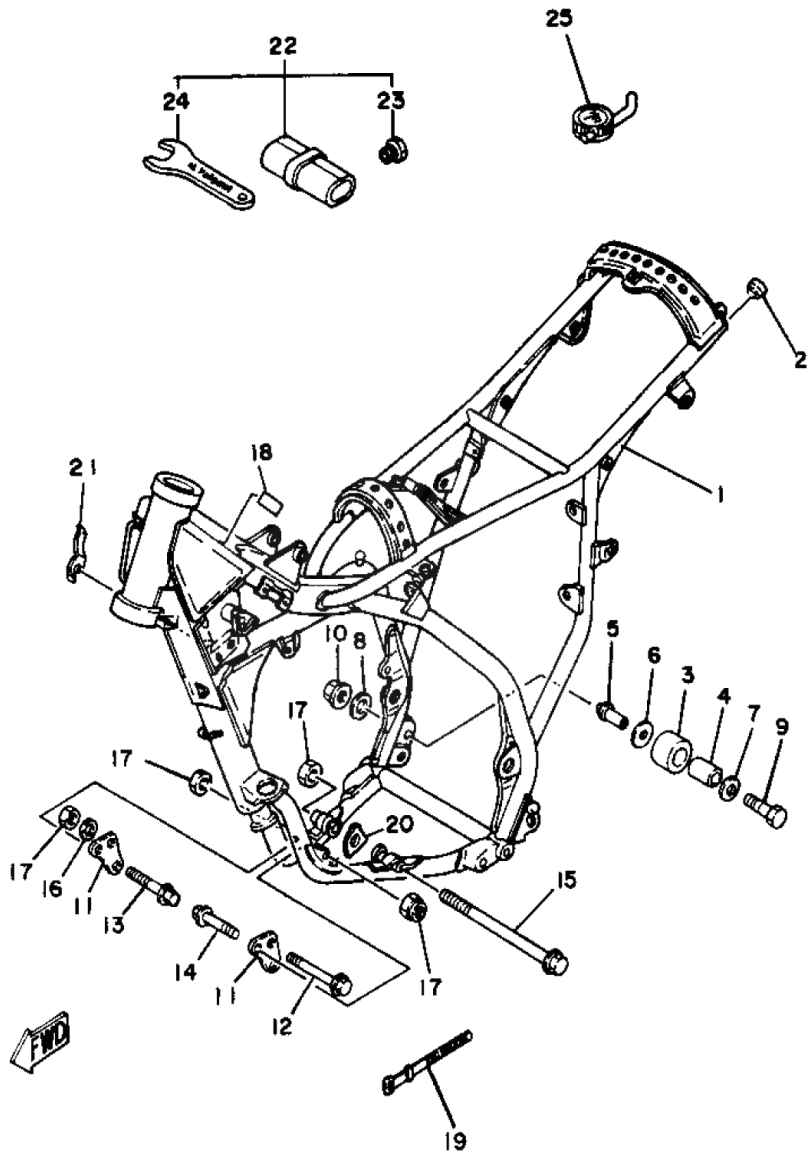
Ref. No	Part Number	Description	Qty	Remark
1	4V2-21110-00-33	FRAME YAMAHA BLACK	1	NLA
2	90339-13005-00	PLUG	2	
3	30X-22178-00-00	TENSIONER	1	
4	4V4-22184-00-00	BUSH	1	
5	3R3-2148A-00-00	SHAFT	1	NLA
6	90201-13202-00	WASHER, PLATE	1	
7	90201-081R9-00 !	WASHER, PLATE	1	replace 90201-08753
8	90201-08638-00	WASHER, PLATE	1	
9	97013-08050-00 !	BOLT,HEX	1	replace 97313-08050
10	95717-08300-00 !	NUT, FLANGE	1	replace 95712-08300
11	4V2-21419-00-00	BRACKET, ENGINE 2	2	NLA
12	95817-08085-00 !	BOLT, FLANGE	1	replace 95811-08085
13	95817-08055-00 !	BOLT, FLANGE	2	replace 95811-08055
14	95814-08045-00 !	BOLT, FLANGE	2	replace 95811-08045
15	95817-08190-00 !	BOLT,FLANGE	1	replace 95811-08190 NLA
16	92990-08200-00	WASHER, PLAIN	1	
17	90185-08089-00	NUT, SELF-LOCKING	6	
18	3R4-21415-00-00	BRACKET, FRT UPR 1	1	NLA
19	437-83936-11-00	BAND, SWITCH CORD	1	
20	90214-09019-00	WASHER, CLAW	1	NLA

Continued on next frame =>

FRAME - TOOL

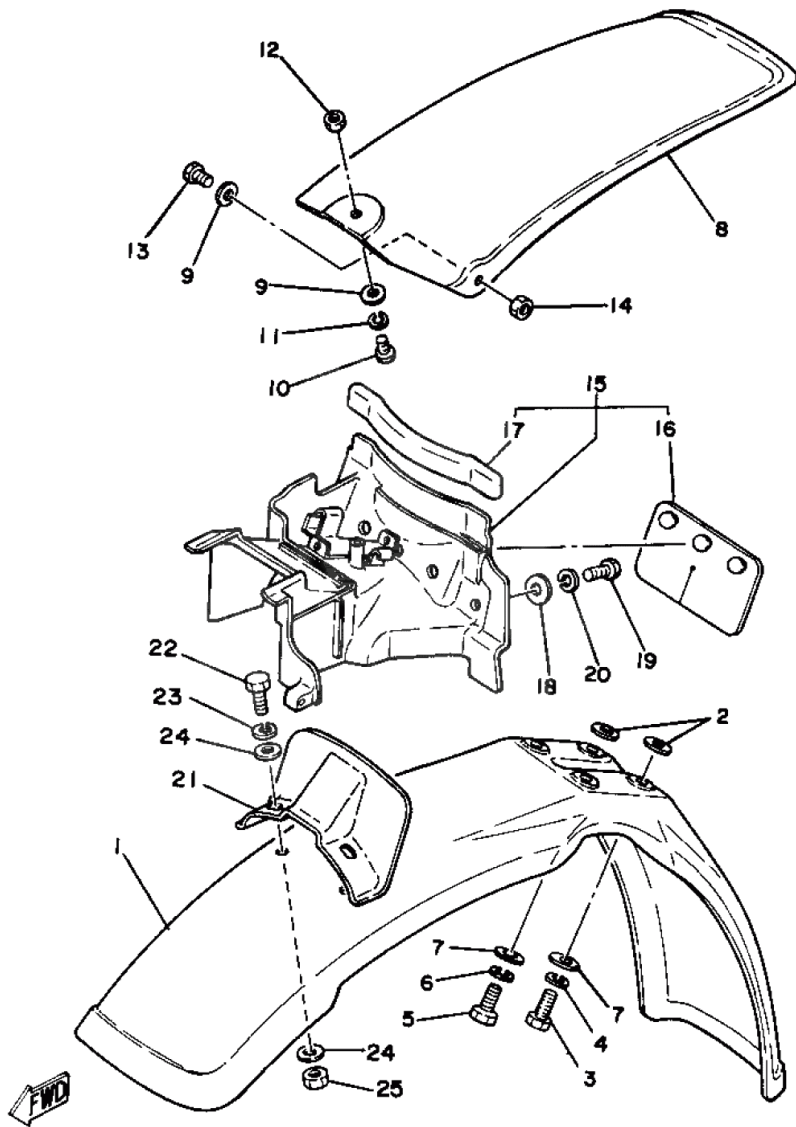
Ref. No	Part Number	Description	Qty	Remark
---------	-------------	-------------	-----	--------

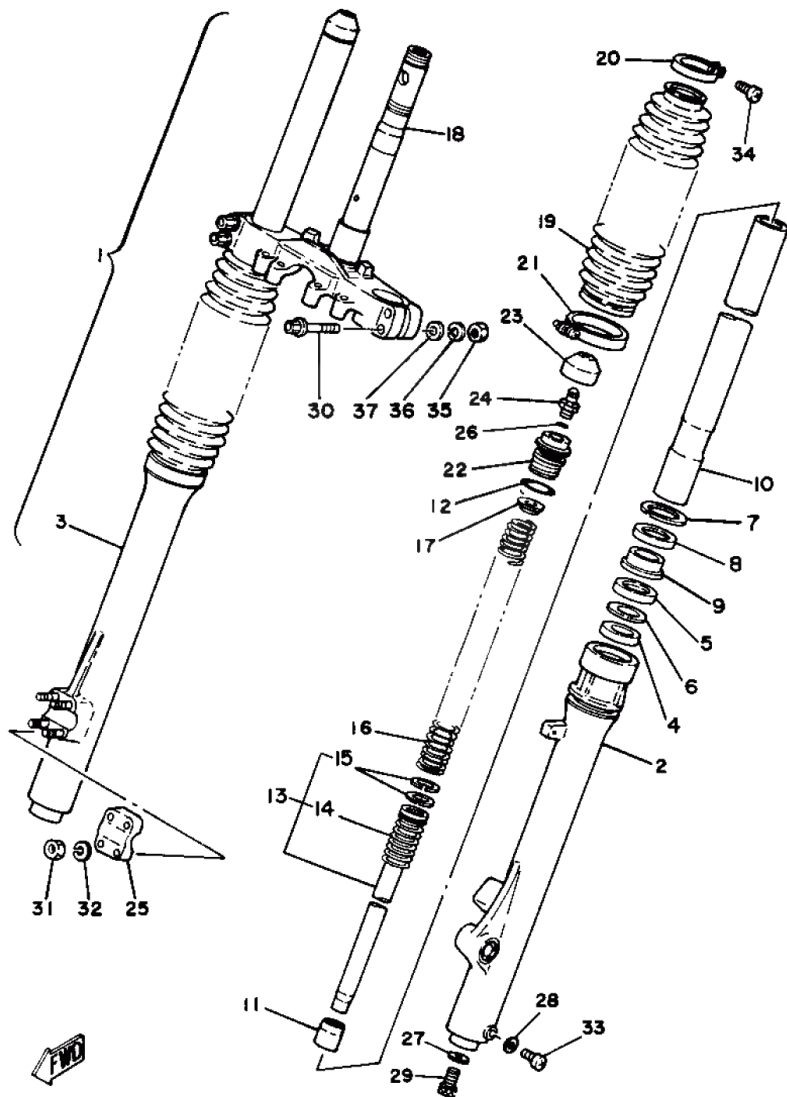
21	90462-14089-00	CLAMP	1	NLA
22	5X5-28100-00-00	TOOL KIT	1	NLA
23	2K7-85555-00-00	PULLER, ROTOR	1	
24	10V-28135-00-00	SPANNER, SPECIAL	1	
25	2X4-2811A-01-00	GAUGE, AIR	1	NLA



FRONT FENDER - REAR FENDER

Ref. No	Part Number	Description	Qty	Remark
1	3R2-21511-01-00	FENDER, FRONT	1	COMP. YELLOW NLA
2	90201-06380-00 !	WASHER, PLATE	4	replace 90201-06067
3	97014-06035-00 !	BOLT, HEXAGON	2	replace 97013-06035
4	92995-06100-00	WASHER, SPRING	2	
5	97024-06020-00 !	BOLT	2	replace 97023-06020
6	92995-06100-00	WASHER, SPRING	2	
7	90209-06187-00	WASHER	4	
8	3R3-21611-01-00	FENDER, REAR	1	NLA
9	90201-06380-00 !	WASHER, PLATE	3	replace 90201-06067
10	97095-06016-00 !	BOLT	1	replace 97313-06016
11	92995-06100-00	WASHER, SPRING	1	
12	95380-06700-00	NUT	1	
13	97095-06016-00 !	BOLT	2	replace 97313-06016
14	95617-06100-00 !	NUT, U	2	replace 95601-06100
15	4V2-21419-00-00	BRACKET, ENGINE 2	1	NLA
16	1M1-21621-00-00	FLAP	1	
17	565-21746-00-00	DAMPER	1	NLA
18	90201-06380-00 !	WASHER, PLATE	2	replace 90201-06067
19	97095-06016-00 !	BOLT	2	replace 97313-06016
20	92995-06100-00	WASHER, SPRING	2	
21	4V2-21543-01-00	PLATE 1	1	NLA
22	97017-06020-00 !	BOLT	2	replace 97011-06020
23	92995-06100-00	WASHER, SPRING	2	
24	90201-06M08-00	WASHER, PLATE	4	
25	95617-06100-00 !	NUT, U	2	replace 95601-06100



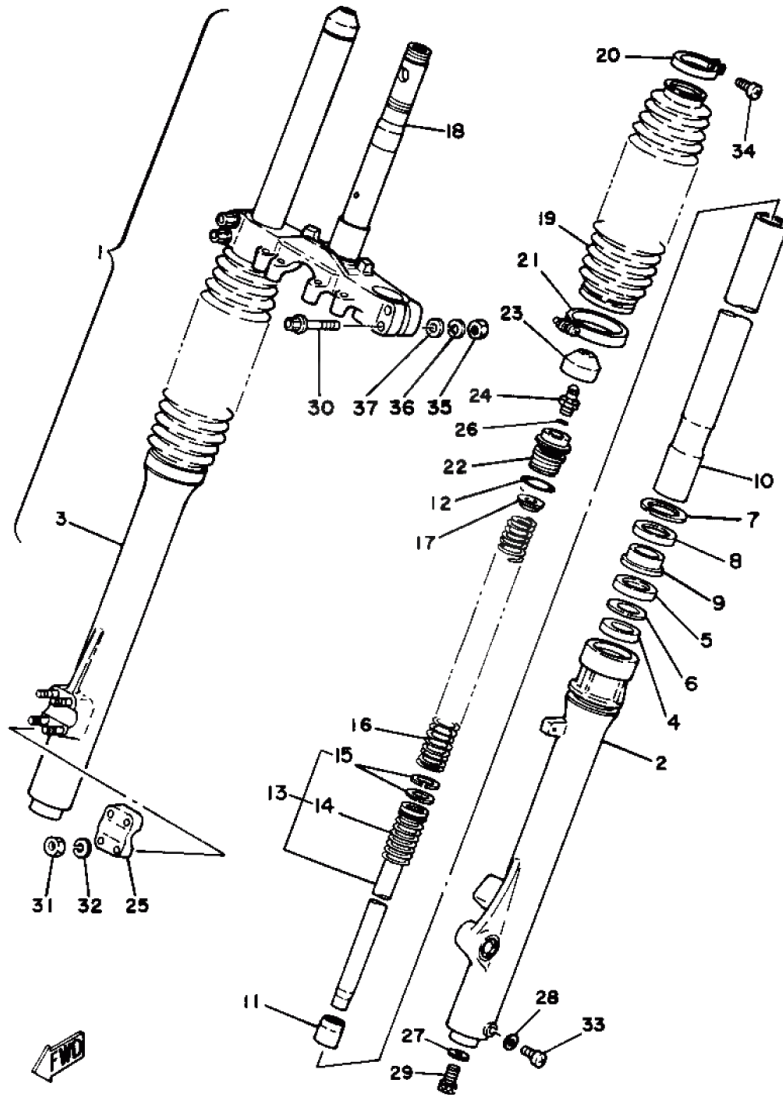


FRONT FORK

Ref. No	Part Number	Description	Qty	Remark
1	4V2-23101-L0-00	FRONT FORK ASSEMBLY	1	NLA
2	4V2-23126-L1-00	TUBE, OUTER 1	1	NLA
3	4V2-23136-L0-00	TUBE, OUTER 2	1	NLA
4	2YK-23125-00-00	METAL, SLIDE 1	2	
5	3EN-23145-00-00	OIL SEAL	2	
6	4V2-23146-L0-00	WASHER, OIL SEAL	2	
7	3R4-23153-00-00	RING, SNAP	2	
8	3R4-23144-00-00	SEAL, DUST	2	
9	3R4-23148-00-00	COVER, DUST SEAL	2	NLA
10	4V2-23110-L0-00	INNER TUBE 1	2	NLA
11	3R4-23173-L0-00	SPINDLE, TAPER	2	NLA
12	1W4-23114-L0-00	GASKET	2	
13	4V2-23170-L0-00	CYLINDER, FRTRFK	2	NLA
14	1W4-23151-L0-00	SPRING, REBOUND	2	NLA
15	4V2-23157-L0-00	RING, PISTON FRTRFK	4	NLA
16	3R4-23141-10-00	SPRING, FRONT FORK	2	NLA
	4V2-23141-10-00	SPRING, FRTRFK SOFT	2	U.R. SOFT NLA
	4V2-23141-20-00	SPRING, FRTRFK HARD	2	U.R. HARD NLA
17	1W4-23142-L0-00	SEAT, SPRING UPPER	2	NLA
18	4V2-23340-L0-33	UNDER BRACKET	1	YAMAHA BLACK NLA
19	3R4-23191-M0-00	BOOT, FRONT FORK	2	NLA
20	1W4-23192-L0-00	BAND	2	NLA
21	1W4-23489-L0-00	BAND	2	NLA

Continued on next frame =>

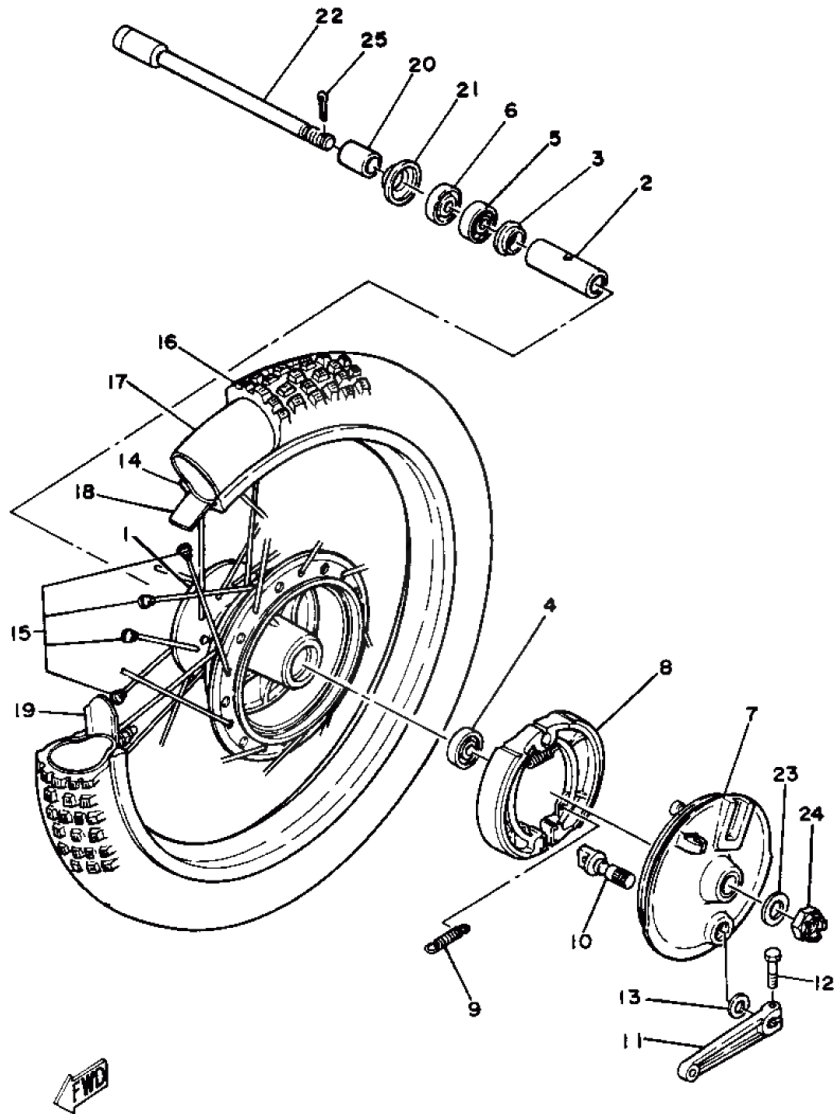
FRONT FORK

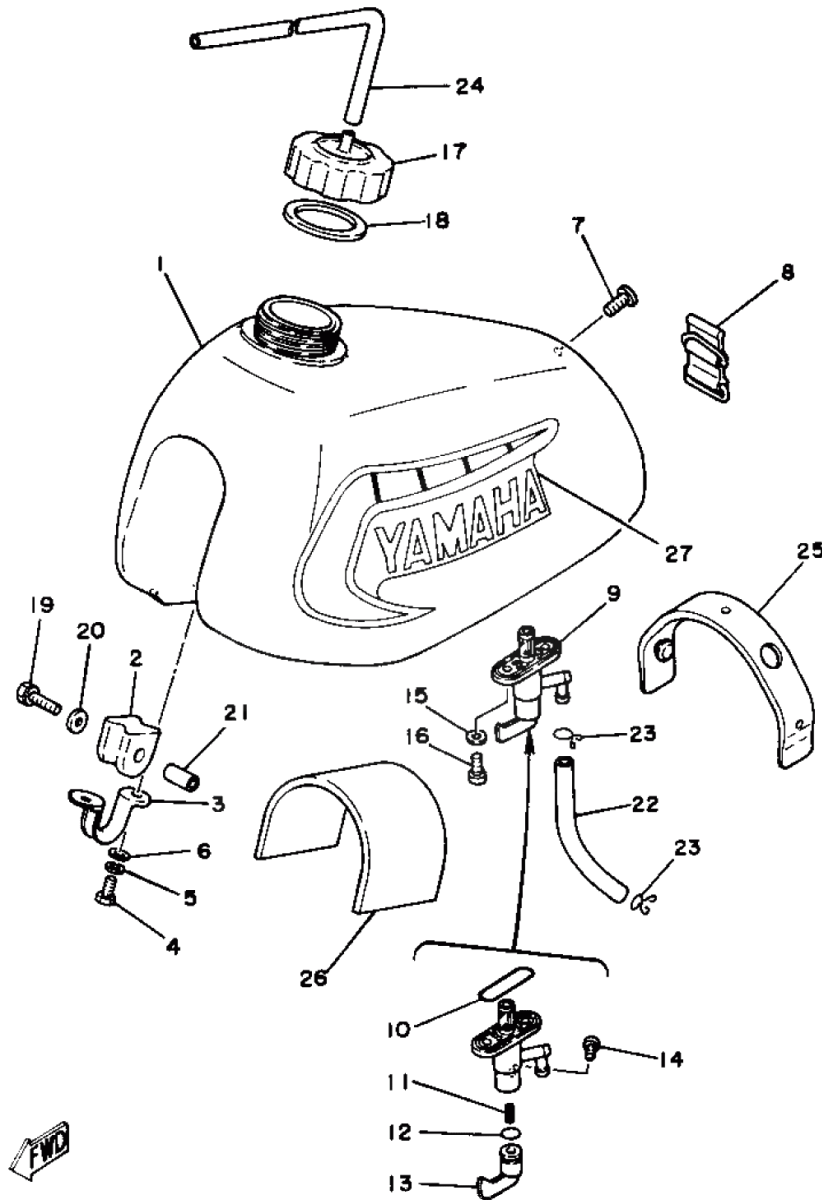


Ref. No	Part Number	Description	Qty	Remark
22	1W4-23111-L1-00	BOLT, CAP	2	NLA
23	1W1-23185-L0-00	COVER, VALVE	2	NLA
24	509-23190-L0-00	AIR VALVE	2	NLA
25	4V2-23167-L0-00	HOLDER, AXLE	1	
26	509-23163-L0-00	O-RING	2	NLA
27	2K8-23158-L0-00	GASKET	2	
28	122-23129-00-00	GASKET, DRAIN PLUG	2	
29	3R4-23181-L0-00	BOLT, HEXAG SOCKET HEAD	2	
30	4V2-23346-L0-00	BOLT 1	4	NLA
31	95317-06600-00 !	NUT	4	replace 95311-06600
32	92995-06100-00	WASHER, SPRING	4	
33	98517-04006-00 !	SCREW, PAN HEAD	2	replace 4H7-23119
34	98517-04020-00 !	SCREW, PAN HEAD	2	replace 98506-04020
35	95333-08600-00	NUT	4	
36	92990-08100-00	WASHER, SPRING	4	
37	92990-08600-00 !	WASHER, PLATE	4	replace 92901-08600

FRONT WHEEL

Ref. No	Part Number	Description	Qty	Remark
1	1K7-25111-10-98	HUB,FRONT LOW GLASS BLK	1	NLA
2	90560-15116-00	SPACER	1	
3	146-25116-00-00	FLANGE, SPACER 2	1	
4	93306-20226-00	BEARING	1	
5	93306-20205-00 !	BEARING	1	replace 93306-20209
6	93102-20009-00	OIL SEAL	1	
7	1W1-25016-11-98	BRAKE SHOE PLT ASY	1	LOW GLASS BLACK
8	322-W253A-10-00 !	BRAKE SHOE KIT	2	replace 322-W2535
9	90506-17328-00	SPRING, TENSION	2	
10	322-25155-00-00	LEVER, CAMSHAFT 1	1	NLA
11	322-25155-00-00	LEVER, CAMSHAFT 1	1	NLA
12	90101-06291-00	BOLT	1	
13	137-25159-00-00	SEAL, CAMSHAFT	1	NLA
14	94416-21320-00	RIM 1.60X21 NLA	1	
15	2W6-25104-02-00 !	SPOKE SET, FRONT	1	replace 2W6-25104
16	94130-21654-00	300-21 MARK 2 (TT)	1	NLA
17	94230-21126-00	TUBE	1	NLA
18	94330-21088-00	BAND, RIM	1	NLA
19	1T1-25194-00-00	SPACER, BEAD	1	
20	90387-152J3-00	COLLAR	1	
21	322-25118-00-00	COVER, HUB DUST	1	
22	3R3-25181-00-00	AXLE, WHEEL	1	NLA
23	90201-15785-00	WASHER, PLATE	1	
24	90171-14056-00 !	NUT, CASTLE	1	replace 90171-14020
25	91490-30030-00 !	PIN, COTTER	1	replace 91401-30030





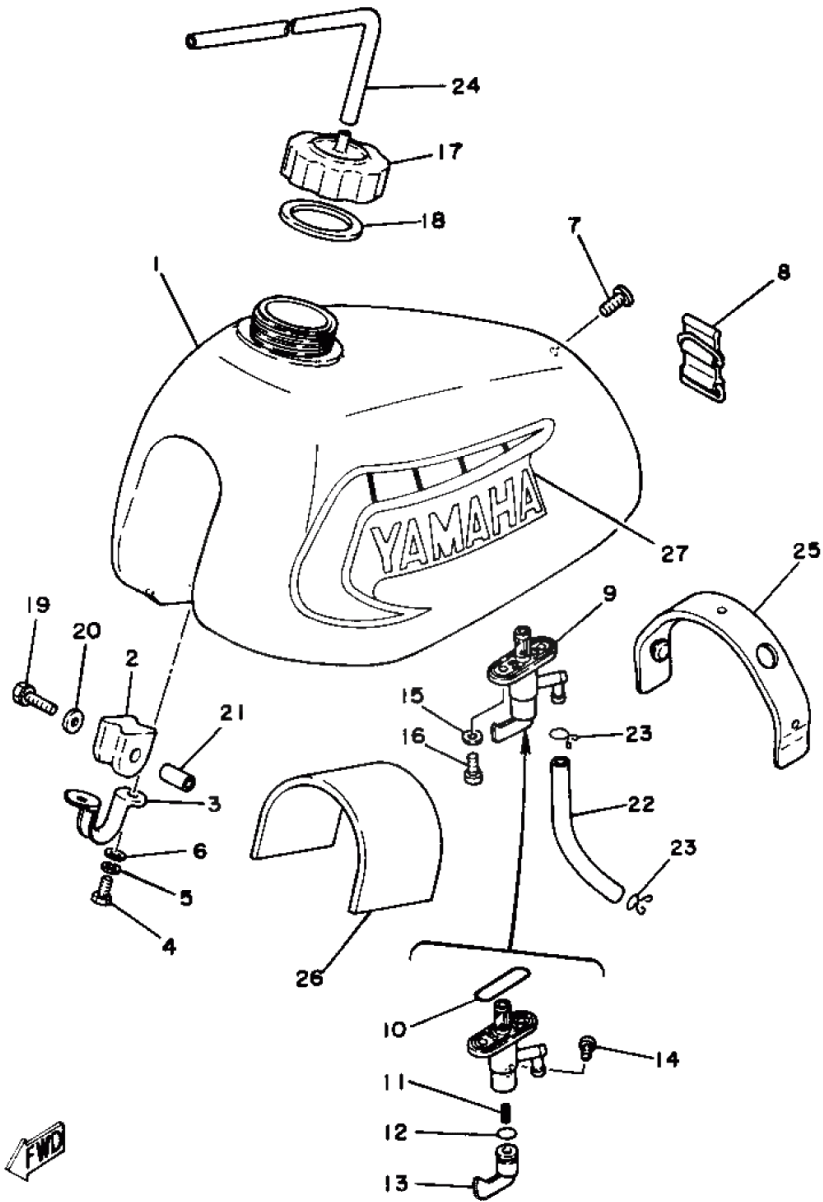
FUEL TANK

Ref. No	Part Number	Description	Qty	Remark
1	3R3-24110-00-00	FUEL TANK	1	COMP. YELLOW NLA
2	1W1-24182-01-00	DAMPER, LOCATING 2	2	
3	1W1-24144-01-00	HOLDER, DAMPER	2	NLA
4	97013-06012-00	BOLT	4	
5	92995-06100-00	WASHER, SPRING	4	
6	92990-06600-00 !	WASHER, PLATE	4	replace 92901-06600
7	90149-06306-00 !	SCREW	1	replace 98903-06018
8	59V-24173-00-00	BAND, TANK FITTING 1	1	
9	2K5-24500-00-00	FUEL COCK ASSEMBLY 1	1	
10	214-24512-00-00	GASKET	1	
11	1A0-24529-01-00	SPRING	1	
12	1A0-24512-00-00	GASKET	1	
13	1A0-24524-01-00	LEVER, COCK	1	NLA
14	619-24535-00-00	SCREW, LEVER FITTING	1	
15	90202-05187-00	WASHER, PLATE	2	
16	90149-06011-00	SCREW	2	
17	1W1-24611-00-00	BODY, CAP	1	
18	1W1-24612-00-00	GASKET, CAP	1	
19	90119-06022-00	BOLT, WITH WASHER	2	
20	90201-06747-00 !	WASHER, PLATE	2	replace 90201-06407
21	36Y-83913-01-00 !	COLLAR, LEVER 1	2	replace 90387-07393

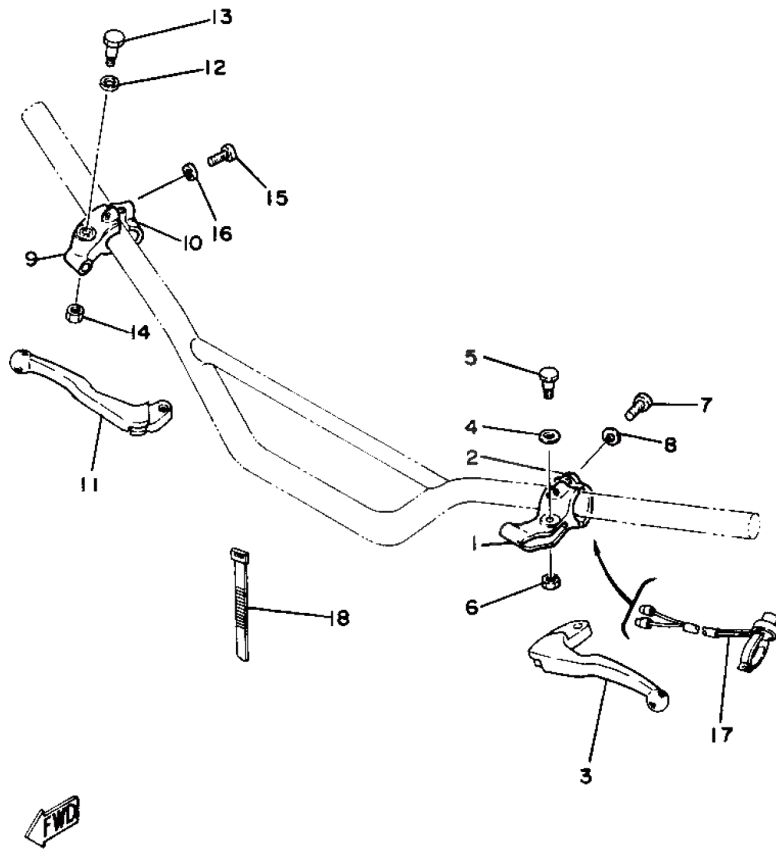
Continued on next frame =>

FUEL TANK

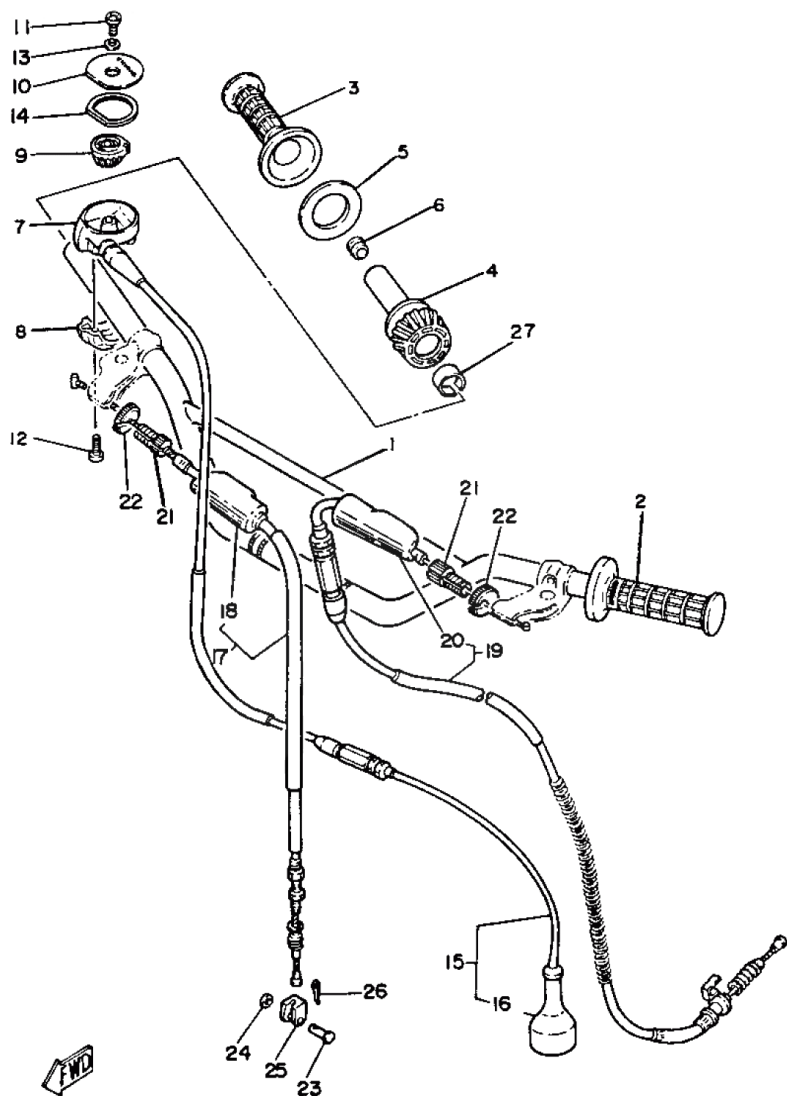
Ref. No	Part Number	Description	Qty	Remark
22	90445-11491-00	HOSE	1	NLA
23	90467-10008-00	CLIP	2	
24	90445-092K1-00 !	HOSE (L420)	1	replace 90445-09252
25	3R4-24181-00-00	DAMPER, LOCATING 1	1	NLA
26	1W1-24183-00-00	DAMPER, LOCATING 3	1	NLA
27	4V2-24240-09-00	GRAPHIC SET	1	NLA



HANDLE SWITCH - LEVER



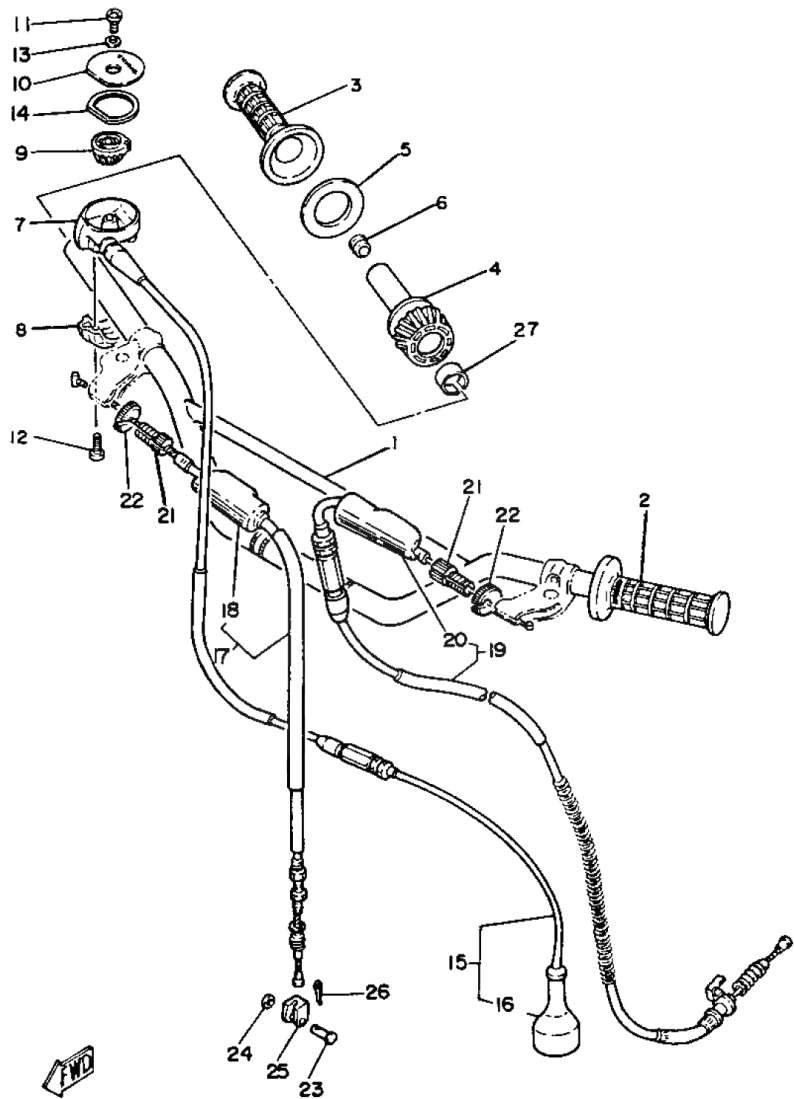
Ref. No	Part Number	Description	Qty	Remark
1	5F6-82911-00-00	HOLDER, LEVER 1	1	
2	4V4-82913-00-00	HOLDER, LEVER LOWER 1	1	
3	23X-83912-01-00 !	LEVER 1	1	replace 23X-83912-00
4	90201-08083-00	WASHER, PLATE	1	
5	90109-061F3-00 !	BOLT	1	replace 90109-06797-00
6	95617-06100-00 !	NUT, U	1	replace 95601-06100-00
7	98517-05020-00 !	SCREW, PAN HEAD	2	replace 98506-05020-00
8	92907-05100-00 !	WASHER, SPRING	2	replace 92906-05100-00
9	38V-82921-00-00	HOLDER, LEVER 2	1	
10	4V4-82913-00-00	HOLDER, LEVER LOWER 1	1	
11	23X-83922-00-00	LEVER 2	1	
12	90201-08083-00	WASHER, PLATE	1	
13	90109-061F3-00 !	BOLT	1	replace 90109-06797-00
14	95617-06100-00 !	NUT, U	1	replace 95601-06100-00
15	98517-05020-00 !	SCREW, PAN HEAD	2	replace 98506-05020-00
16	92907-05100-00 !	WASHER, SPRING	2	replace 92906-05100-00
17	23X-83976-00-00	SWITCH, HANDLE 1	1	
18	437-83936-01-00	BAND, SWITCH CORD	2	



HANDLEBAR - CABLE

Ref. No	Part Number	Description	Qty	Remark
1	1LN-26111-00-00 !	HANDLEBAR	1	replace 4V2-26111-01
2	1LX-26241-01-00 !	GRIP (LEFT)	1	replace 4V4-26241-01
3	1LX-26242-01-00	GRIP (RIGHT)	1	
4	4V4-26243-00-00	TUBE, THRTL GUIDE	1	NLA
5	4V4-26249-00-00	RING, LEAF	1	NLA
6	90338-12192-00	PLUG	1	
7	4V4-26281-00-00	CAP, GRIP UPPER	1	NLA
8	4V4-26282-00-00	CAP, GRIP LOWER	1	
9	4V4-2628E-00-00	GEAR, BEVEL	1	NLA
10	4V4-2628F-09-00	CAP, GEAR	1	
11	98907-05010-00 !	SCREW, BIND	1	replace 98906-05010-00
12	97885-05016-00 !	SCREW, PAN HEAD	2	replace 98580-05016-00
13	90430-05009-00	GASKET	1	NLA
14	4V4-2628G-00-00	PACKING	1	NLA
15	5X4-26311-00-00	CABLE, THROTTLE 1	1	NLA
16	500-26329-01-00	CAP, RUBBER	1	
17	5Y0-26341-00-00 !	CABLE, BRAKE	1	replace 4V2-26341-01
18	498-26372-00-00 !	COVER, HANDLE LEVER 1	1	replace 382-26372-01
19	5X4-26335-00-00	CABLE, CLUTCH	1	NLA
20	498-26372-00-00 !	COVER, HANDLE LEVER 1	1	replace 382-26372-01
21	90123-08046-00	BOLT	2	
22	90179-08148-00	NUT	2	
23	90240-08013-00	PIN, CLEVIS	1	

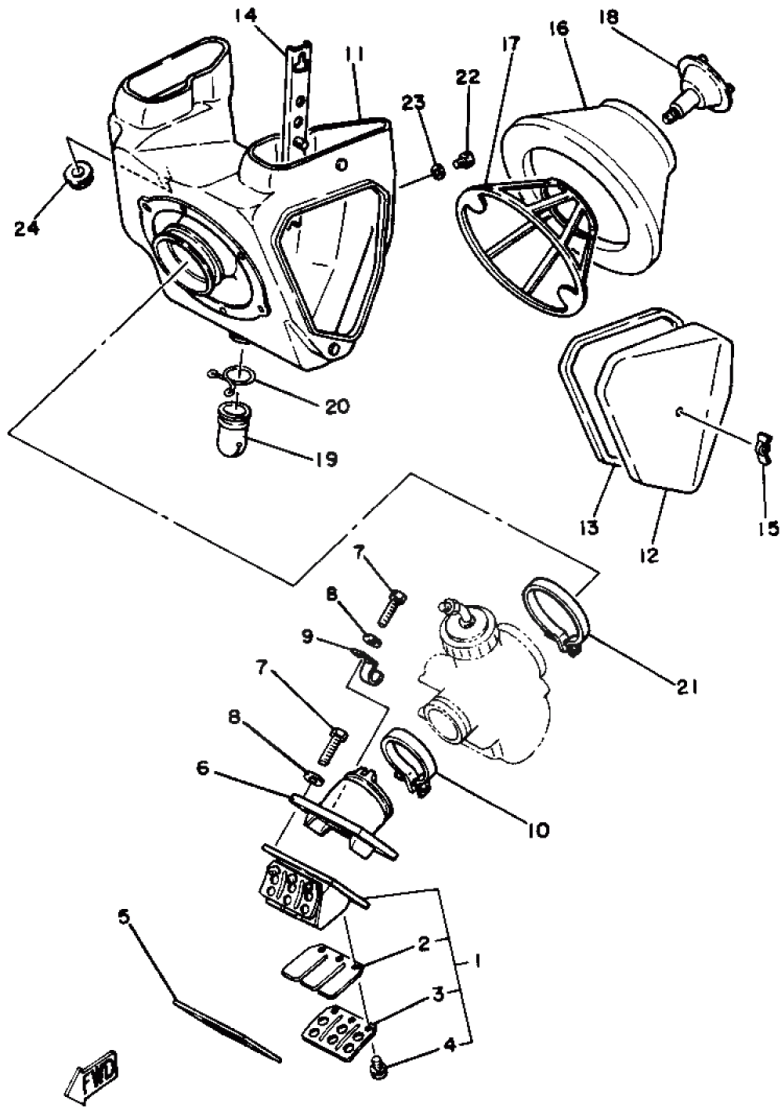
Continued on next frame =>



HANDLEBAR - CABLE

Ref. No	Part Number	Description	Qty	Remark
24	90201-08083-00	WASHER, PLATE	1	
25	156-26347-00-00	JOINT, CABLE	1	
26	91490-20025-00 !	PIN, COTTER	1	replace 91490-20020-00
27	90387-22660-00	COLLAR	1	

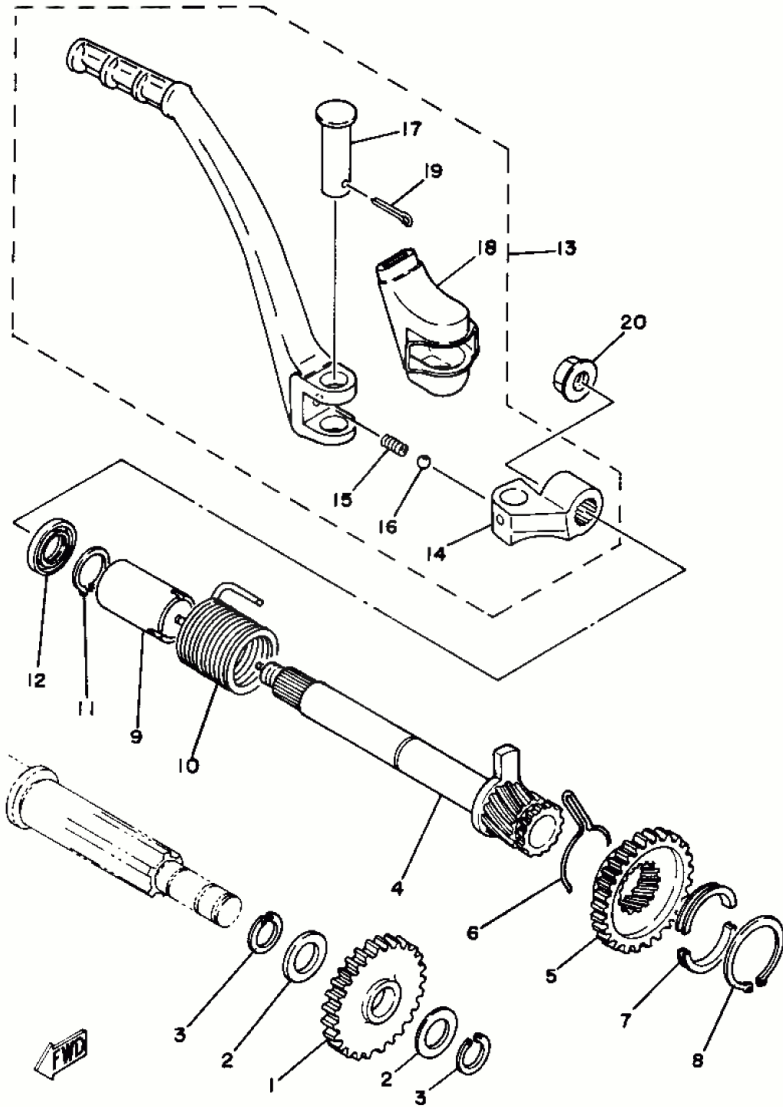
INTAKE



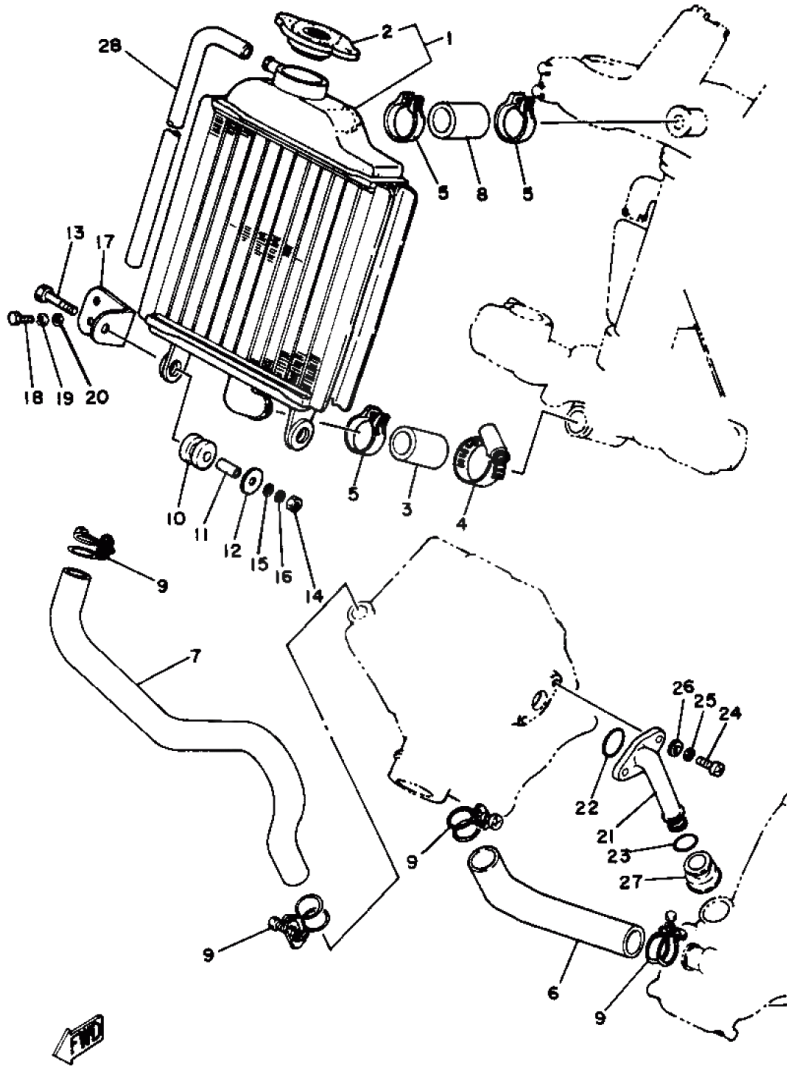
Ref. No	Part Number	Description	Qty	Remark
1	39W-13610-00-00	REED VALVE ASSEMBLY	1	NLA
2	3R3-13613-00-00	REED, VALVE	2	
3	39W-13616-00-00	STOPPER, REED VALVE	2	NLA
4	98580-03008-00	SCREW, PAN HEAD	6	
5	3R3-13621-01-00 !	GASKET, VALVE SEAT	1	replace 3R3-13621-00
6	4V2-13565-00-00	JOINT, CARBURETOR	1	NLA
7	97017-06025-00 !	BOLT	4	replace 97011-06025-00
8	92990-06600-00 !	WASHER, PLATE	4	replace 92901-06600-00
9	90462-05005-00	CLAMP	1	
10	90460-49058-00	CLAMP, HOSE	1	
11	4V2-14401-00-00	AIR CLNR CASE ASSEMBLY	1	NLA
12	3R3-14412-01-00	CAP, CLEANER CASE 1	1	NLA
13	50M-14462-01-00	SEAL	1	
14	3R3-14494-00-00	STAY 2 NLA	1	
15	90175-06008-00	NUT, WING	1	
16	3R3-W1442-01-00	ELEMENT, AIR CLNR	1	NLA
17	3R3-14458-00-00	GUIDE, ELEMENT	1	NLA
18	4V2-14468-02-00	PLATE, ELEMENT FITTING	1	NLA
19	1W4-14457-00-00	SEAL	1	NLA
20	90467-20M15-00 !	CLIP	1	replace 90467-20030-00
21	90450-64004-00 !	HOSE CLAMP ASSY	1	replace 90460-64065-00
22	97013-06012-00	BOLT	2	
23	92995-06100-00	WASHER, SPRING	2	
24	90480-13014-00 !	GROMMET	1	replace 90480-13398-00

KICK - STARTER

Ref. No	Part Number	Description	Qty	Remark
1	3R3-15651-01-00	GEAR, KICK IDLE	1	
2	137-17417-00-05	SHIM 1 (0.5T)	2	
3	93440-15012-00	CIRCLIP	2	
4	3R3-15660-00-00	KICK AXLE ASSEMBLY	1	NLA
5	3R3-15641-00-00	GEAR, KICK	1	NLA
6	90468-26048-00	CLIP	1	
7	248-15654-00-00	HOLDER, KICK GEAR	2	
8	99009-30400-00	CIRCLIP	1	
9	3R3-15666-00-00	SPACER	1	
10	90508-26427-00	SPRING, TORSION	1	
11	93410-17037-00	CIRCLIP	1	
12	93101-17062-00	OIL SEAL	1	
13	3R3-15620-00-00	KICK CRANK ASSEMBLY	1	NLA
14	39W-15621-01-00 !	BOSS, KICK CRANK	1	replace 3R3-15621-01 NLA
15	90501-12081-00	SPRING, COMPRESSION	1	
16	93507-32031-00	BALL	1	
17	91702-12040-00	PIN, CLEVIS	1	NLA
18	3R3-15618-01-00	COVER, KICK LEVER	1	NLA
19	91401-40020-00	PIN, COTTER	1	NLA
20	95704-10500-00 !	NUT, FLANGE	1	replace 95701-10500-00



RADIATOR - HOSE



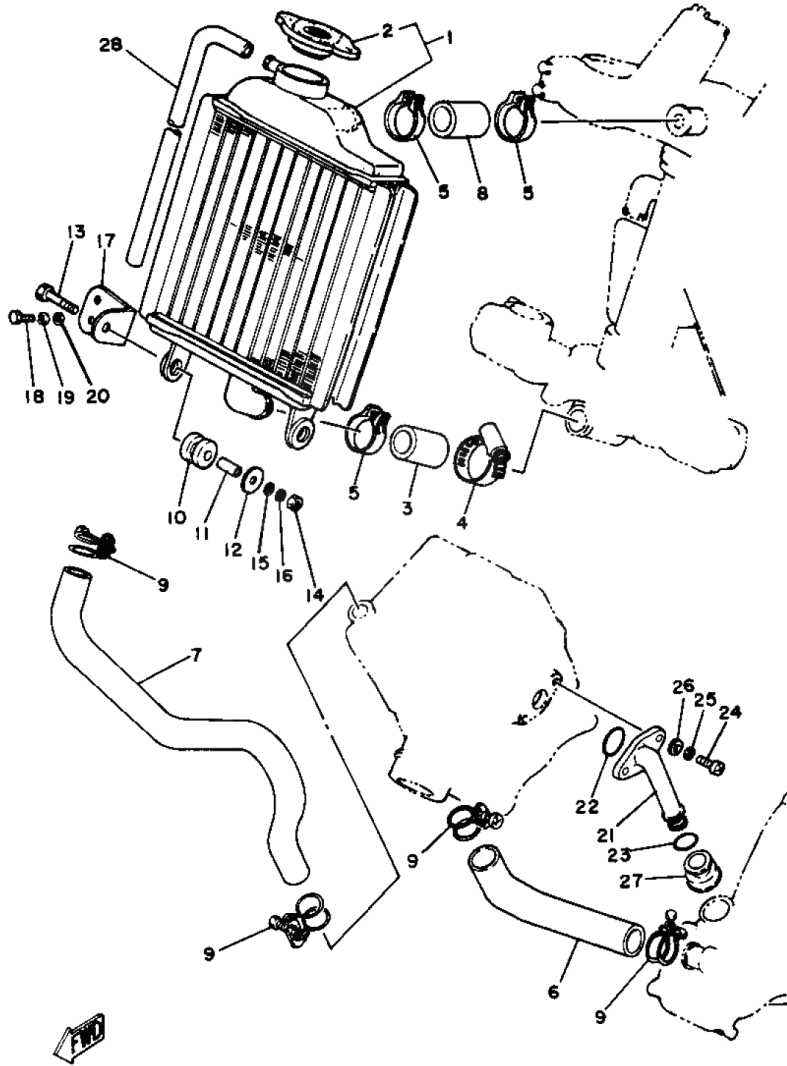
Ref. No	Part Number	Description	Qty	Remark
1	4V2-12460-01-00	RADIATOR ASSEMBLY	1	NLA
2	11H-12462-00-00	CAP, RADIATOR	1	
3	4V2-12481-00-00	PIPE 1	1	NLA
4	90460-38292-00	CLAMP, HOSE	1	
5	90460-28175-00	CLAMP, HOSE	3	NLA
6	4V2-12482-00-00	PIPE 2	1	NLA
7	4V2-12483-00-00	PIPE 3	1	NLA
8	4V2-12484-00-00	PIPE 4	1	NLA
9	90460-25170-00	CLAMP, HOSE	4	NLA
10	90480-15064-00	GROMMET	2	
11	90387-061V1-00 !	COLLAR	2	replace 90387-072E7-00
12	90201-06570-00	WASHER, PLATE	2	
13	97017-06030-00 !	BOLT	2	replace 97021-06030-00
14	95380-06600-00	NUT, HEXAGON	2	
15	92990-06200-00	WASHER, PLAIN	2	
16	92995-06100-00	WASHER, SPRING	2	
17	4V2-2331A-01-00	STAY	2	NLA
18	97013-06012-00	BOLT	4	
19	92995-06100-00	WASHER, SPRING	4	
20	92990-06600-00 !	WASHER, PLATE	4	replace 92901-06600-00
21	4V2-12446-00-00	JOINT	1	NLA
22	93210-19026-00	O-RING	1	
23	93210-16275-00	O-RING	1	

Continued on next frame =>

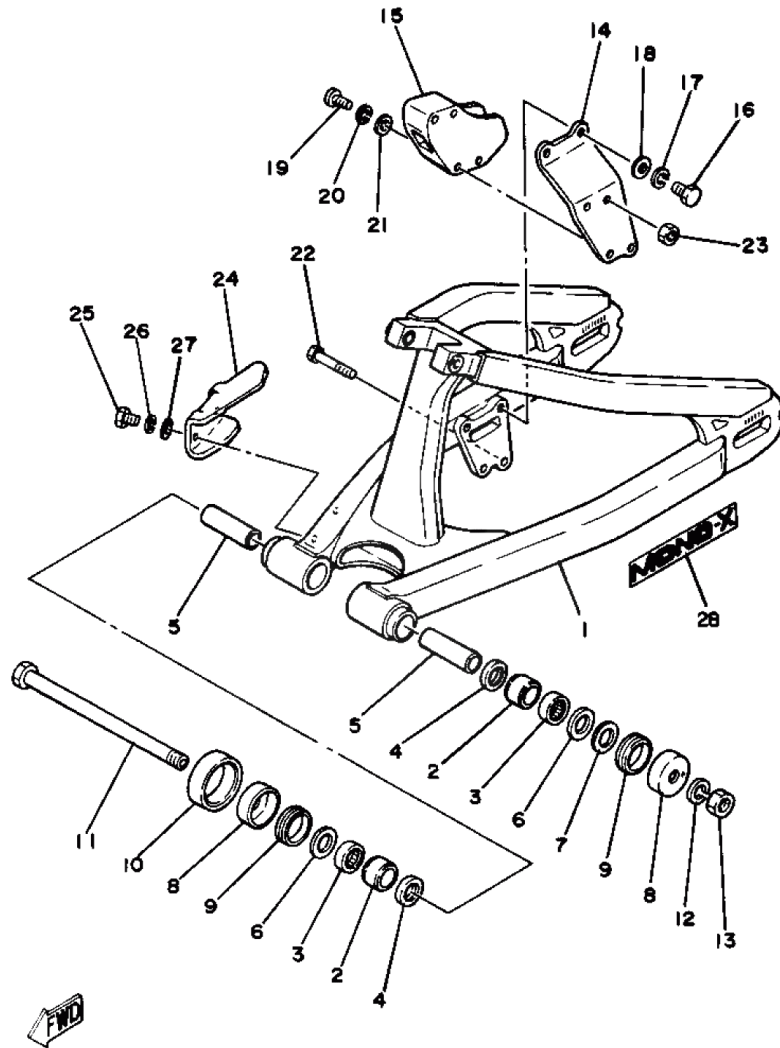
RADIATOR - HOSE

Ref. No	Part Number	Description	Qty	Remark
---------	-------------	-------------	-----	--------

24	97880-06018-00 !	SCREW, PAN HEAD	2	replace 98580-06018-00
25	92907-06100-00 !	WASHER, SPRING	2	replace 92906-06100-00
26	92907-06600-00 !	WASHER, PLATE	2	replace 92906-06600-00
27	4V2-12494-00-00	SEAL, PIPE 1	1	NLA
28	90445-12581-00	HOSE	1	NLA



REAR ARM



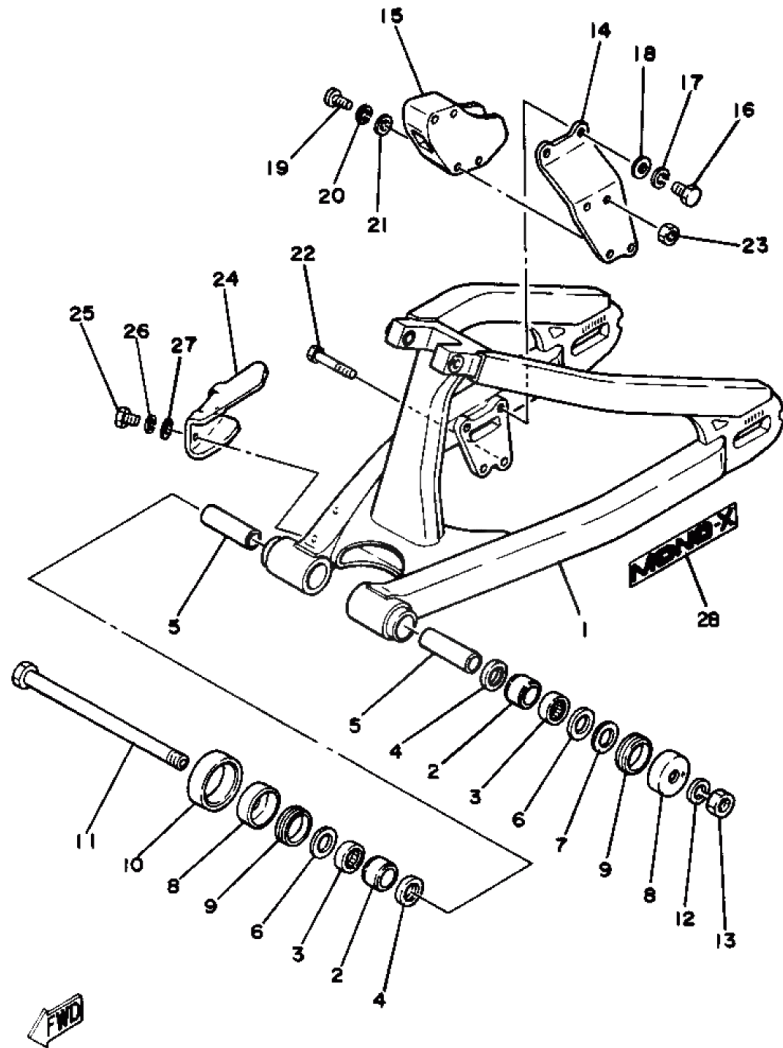
Ref. No	Part Number	Description	Qty	Remark
1	4V2-22110-00-35	REAR ARM	1	SILVER NLA
2	90386-22097-00	BUSH, SPEC'L NYLON	2	
3	93317-22214-00	BEARING, CYLINDER.#17	2	
4	93109-22018-00	OIL SEAL, SDO-TYPE	2	
5	90380-16077-00	BUSH, SOLID	2	
6	90201-22680-00	WASHER, PLATE	2	NLA
7	240-22127-00-00	SHIM (0.3T)	1	U.N.
8	2K6-22128-01-00	COVER, THRUST 1	2	
9	93108-35004-00	OIL SEAL (35-41-8)	2	
10	431-22151-03-00	SEAL, GUARD	1	
11	1W4-22141-00-00	SHAFT, PIVOT	1	NLA
12	92907-16100-00 !	WASHER	1	replace 92901-16100-00
13	90170-16111-00	NUT NLA	1	
14	3R3-22179-00-00	ARM, TENSIONER	1	NLA
15	3R3-22199-00-00	SUPPORT, CHAIN	1	NLA
16	90101-08691-00 !	BOLT, HEX	2	replace 97313-08018-00
17	92990-08100-00	WASHER, SPRING	2	
18	92990-08600-00	WASHER, PLATE	2	
19	98580-06020-00	SCREW, PAN HEAD	2	
20	92995-06100-00	WASHER, SPRING	2	
21	92990-06600-00 !	WASHER, PLATE	2	replace 92901-06600-00
22	97595-06555-00 !	BOLT,W WASH	2	replace 97313-06055-00
23	95617-06100-00 !	NUT, U	2	replace 95601-06100-00

Continued on next frame =>

REAR ARM

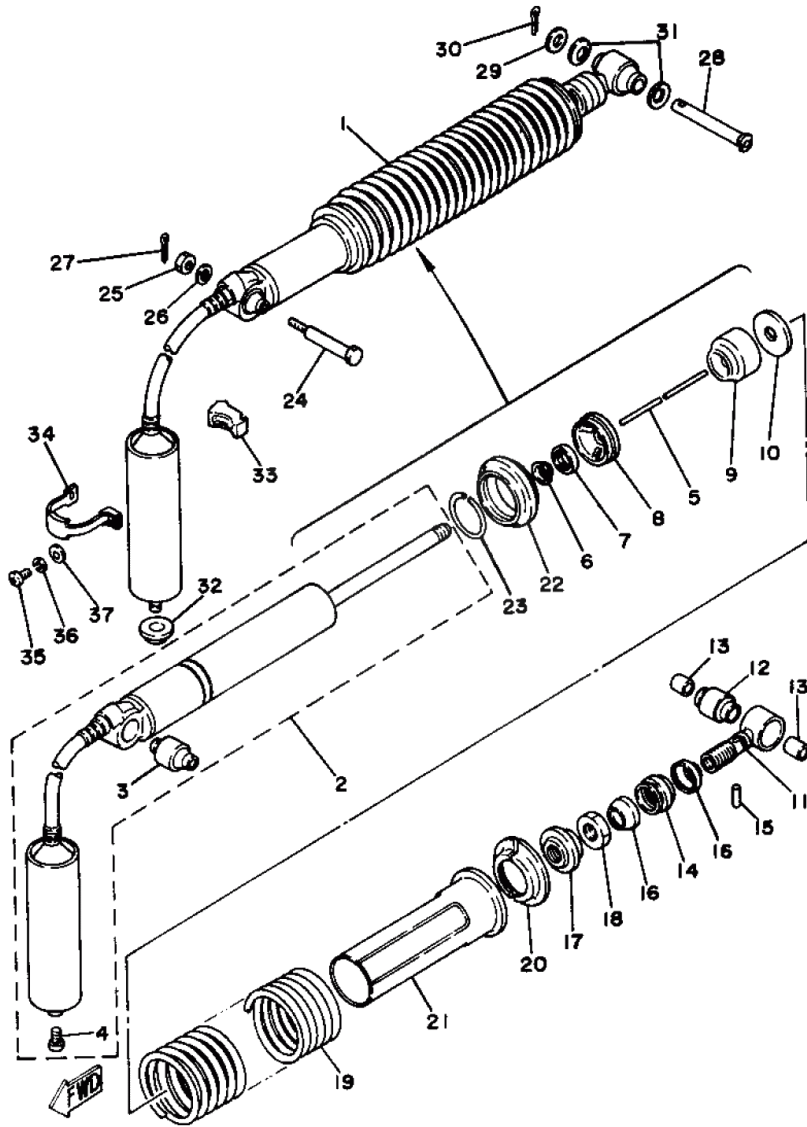
Ref. No	Part Number	Description	Qty	Remark
---------	-------------	-------------	-----	--------

24	3R3-22147-00-00	PROTECTOR, CHAIN	1	NLA
25	97013-05012-00 !	BOLT	2	replace 97313-05012-00
26	92990-05100-00	WASHER, SPRING	2	
27	92990-05200-00	WASHER, PLAIN	2	
28	4V4-2218A-00-00	REFLECTOR (250H)	2	NLA



REAR SUSPENSION

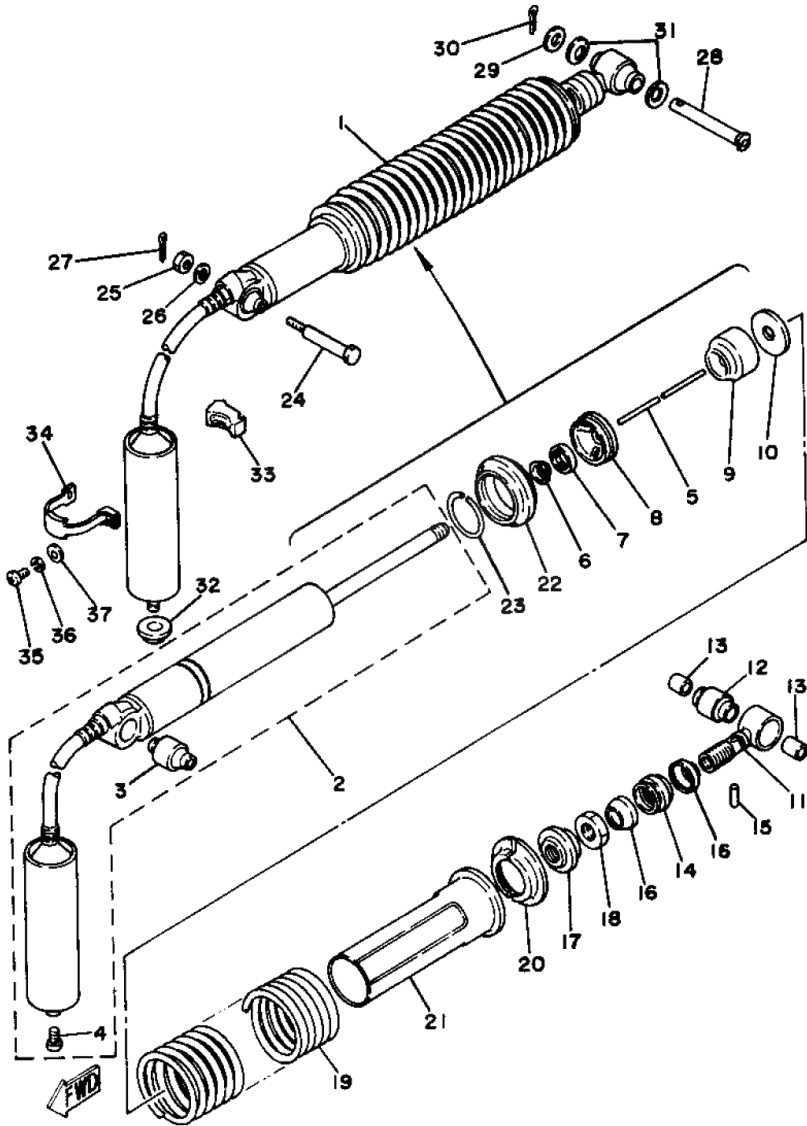
Ref. No	Part Number	Description	Qty	Remark
1	4V2-22210-00-00	SHK/ABS ASSEMBLY, REAR	1	NLA
2	4V2-22401-00-00	DAMPER SUB-ASSEMBLY.	1	NLA
3	1YW-22216-00-00	BUSH, REAR SHOCK ABSORB	1	
4	98517-04006-00 !	SCREW, PAN HEAD	1	replace 98511-04006-00
5	3R4-22489-00-00	ROD, PUSH	1	NLA
6	23X-22475-01-00 !	SEAL,DUST	1	replace 23X-22475-00
7	23X-22475-01-00 !	SEAL,DUST	1	replace 23X-22475-00
8	26A-22472-00-00	CAP, CASE	1	NLA
9	1W1-22493-00-00	BUMP, STOP	1	NLA
10	3R4-22228-00-00	SUPPORT, BUMP STOP	1	NLA
11	3R4-22409-00-00	UPPER BRKT SUB ASSEMBLY	1	NLA
12	3R4-22226-00-00	BUSH, SHOCK ABS LWR	1	
13	90380-12051-00	BUSH, SOLID	2	
14	5X3-22497-00-00	NUT, ADJUSTING	1	NLA
15	93604-26132-00	PIN, DOWEL	1	
16	3R4-22221-01-00	COVER	2	NLA
17	3R4-22213-00-00	SEAT, SPRING UPPER	1	NLA
18	90170-20320-00	NUT	1	
19	3R3-22212-00-00	SPRING	1	NLA
	3R3-22212-10-00	SPRING, MXS SOFT	1	(RED - GREEN) NLA
	3R3-22212-20-00	SPRING, MXS HARD	1	(RED - BLUE) NLA
20	3P6-22214-00-00 !	GUIDE, SPRING 1	2	replace 3R4-22214-01
21	3R4-22224-00-00	GUIDE, SPRING 2	1	NLA



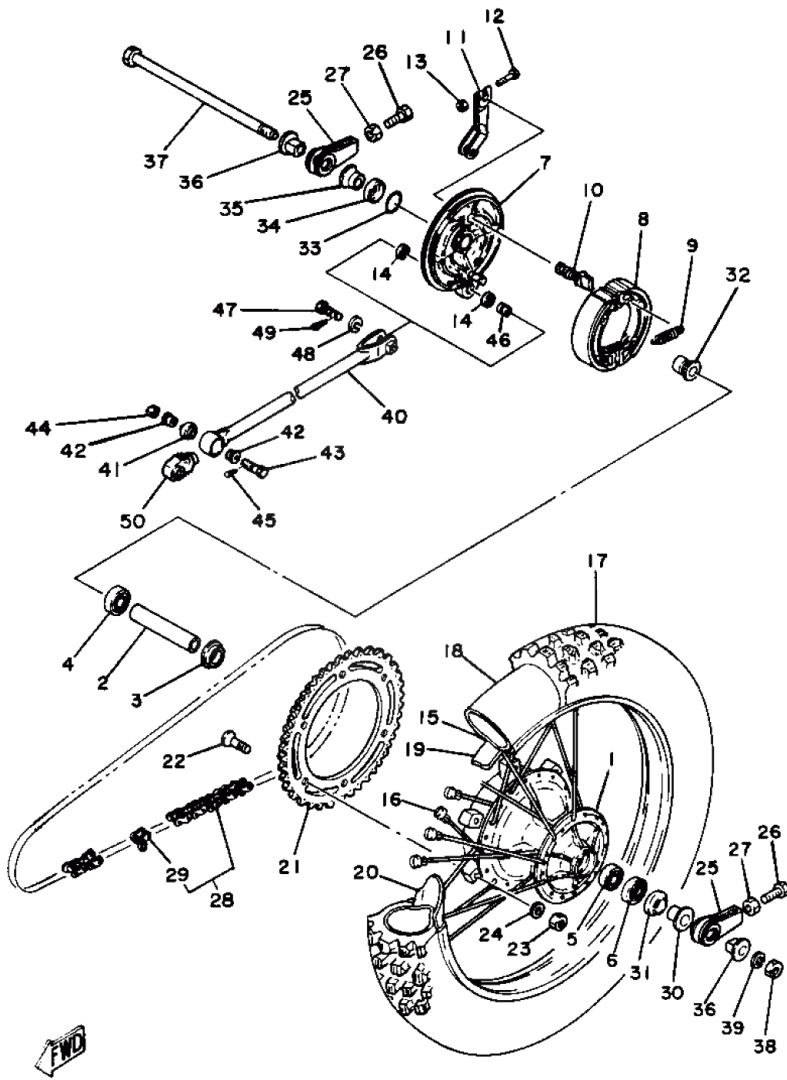
Continued on next frame =>

REAR SUSPENSION

Ref. No	Part Number	Description	Qty	Remark
22	3R4-22223-00-00	SEAT, SPRING LOWER	1	NLA
23	93440-50078-00	CIRCLIP, OUTER	1	NLA
24	90109-10453-00 !	BOLT	1	replace 90109-10550
25	95380-10700-00 !	NUT	1	replace 95303-10700-00
26	92990-10600-00	WASHER, PLATE	1	
27	91490-20025-00	PIN, COTTER	1	
28	90240-12074-00	PIN, CLEVIS	1	NLA
29	92990-12600-00	WASHER, PLATE	1	
30	91490-30030-00 !	PIN, COTTER	1	replace 91401-30030-00
31	1W1-22128-00-00	COVER, THRUST 1	2	
32	90480-22263-00	GROMMET	1	
33	4V2-22261-00-00	DAMPER, SUB TANK	1	NLA
34	3R3-22262-00-00	HOLDER, SUB TANK	1	NLA
35	98507-06014-00 !	SCREW, PAN HEAD	1	replace 98503-06014-00
36	92995-06100-00	WASHER, SPRING	1	
37	92990-06600-00 !	WASHER, PLATE	1	replace 92901-06600-00



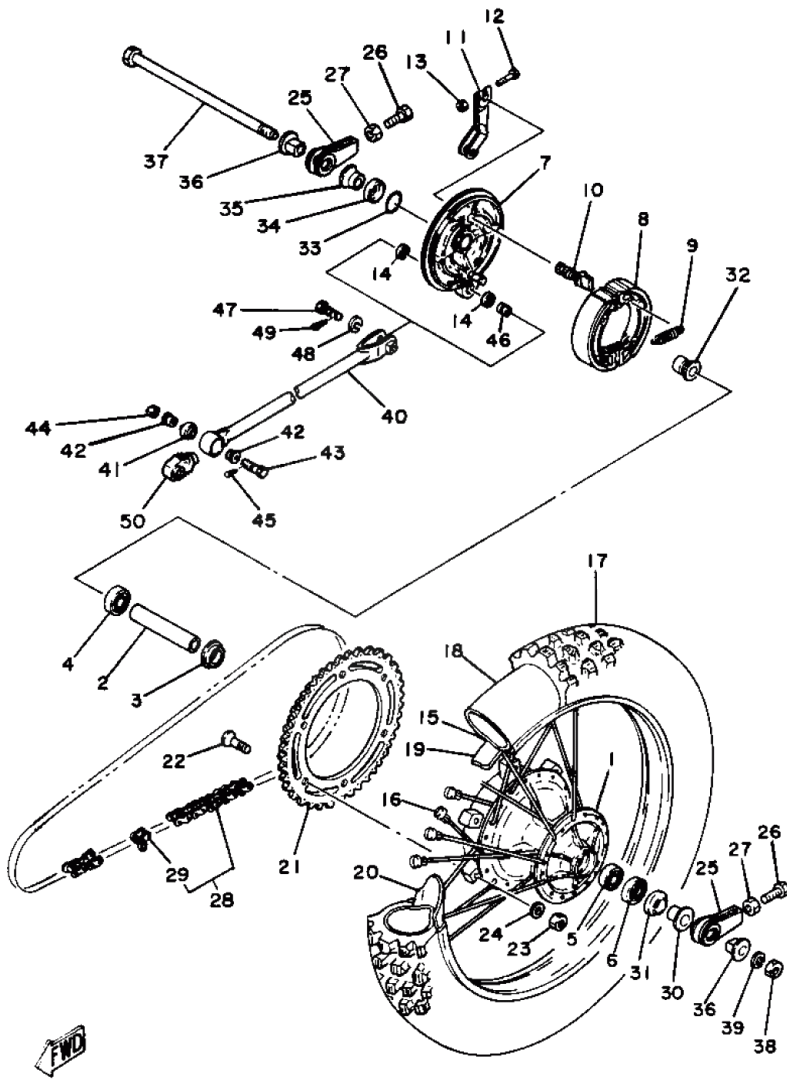
REAR WHEEL



Ref. No	Part Number	Description	Qty	Remark
1	3R3-25311-02-98	HUB, REAR	1	LOW GLASS BLK NLA
2	3R3-25317-00-00	SPACER, BEARING	1	
3	146-25116-00-00	FLANGE, SPACER 2	1	
4	93306-20205-00 !	BEARING	1	replace 93306-20209-00
5	93306-30212-00 !	BEARING	1	replace 93306-30202-00
6	93106-22017-00	OIL SEAL, DD-TYPE	1	NLA
7	3R3-25321-00-98	PLATE, BRAKE SHOE	1	LOW GLOSS BLK NLA
8	437-W2536-00-00	BRAKE SHOE SET-2PCS	2	NLA
9	90506-17328-00	SPRING, TENSION	2	
10	26A-25351-00-00 !	CAMSHAFT	1	replace 401-25351-00
11	2X3-25355-01-00	LEVER, CAMSHAFT	1	NLA
12	90101-06278-00	BOLT	1	
13	95380-06600-00	NUT, HEXAGON	1	
14	93104-12003-00 !	OIL SEAL	2	replace 93104-11056-00
15	94418-18279-00	RIM 1.85X18 (1.85-18)	1	NLA
16	4V2-25304-00-00	SPOKE SET, REAR	1	NLA
17	94141-18655-00	410-18 MARK 2 (TT)	1	NLA
18	94232-18113-00 !	TUBE (2.75-18)	1	replace 94235-18085-00
19	94340-18086-00 !	BAND, RIM (2.50-18)	1	replace 94325-18043-00
20	2X3-25394-00-00	SPACER, BEAD	2	
21	3R4-25446-01-XX	SPROCKET, DRIVEN 46T	1	U.R. STD NLA
	3R4-25448-01-XX	SPROCKET, DRIVEN 48T	1	ALTERNATE PART NLA
	3R4-25450-01-XX	SPROCKET, DRIVEN 50T	1	ALTERNATE PART NLA

Continued on next frame =>

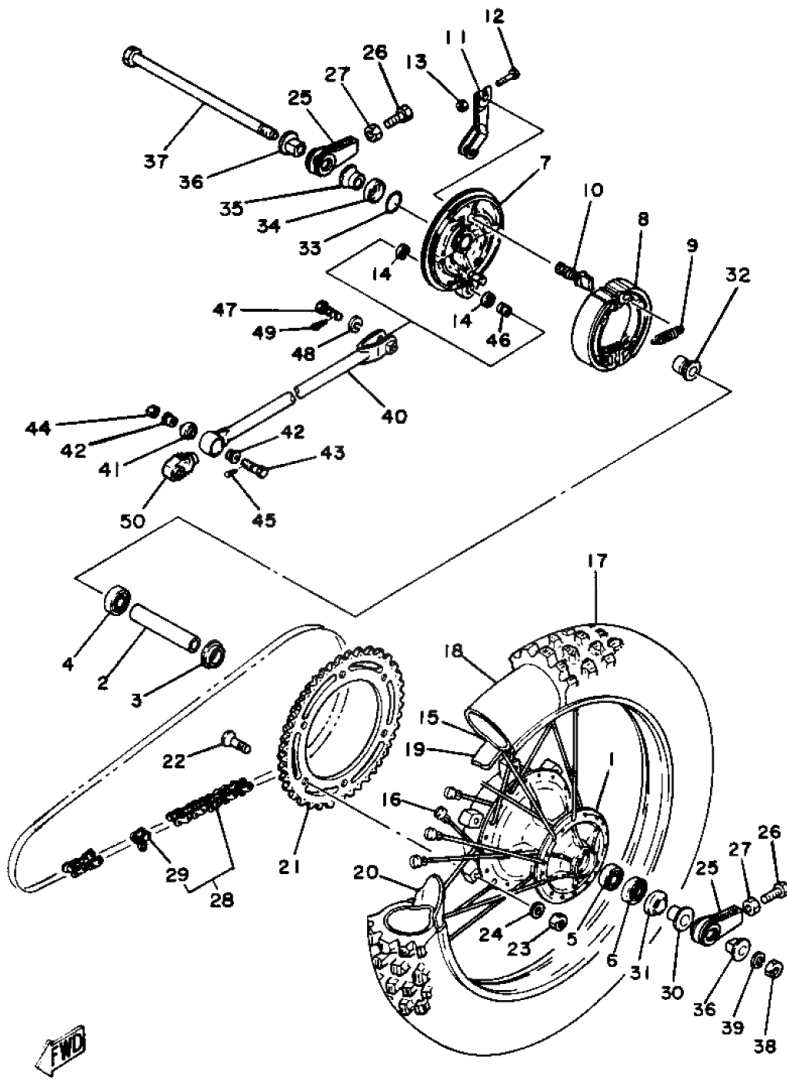
REAR WHEEL



Ref. No	Part Number	Description	Qty	Remark
22	90110-08038-00	BOLT, HEX SKT HEAD	6	NLA
23	90185-08089-00	NUT, SELF-LOCKING	6	
24	92990-08200-00	WASHER, PLAIN	6	
25	2K6-25388-00-00	PULLER, CHAIN 1	2	NLA
26	90101-08060-00 !	BOLT	2	replace 90101-08699-00
27	95380-08700-00 !	NUT	2	replace 95303-08700-00
28	9Y585-20103-00	CHAIN 520DS-104L	1	NLA
29	94681-68001-00 !	JOINT, CHAIN (DID 520DM-RJ)	1	replace 94685-20001-00
30	90387-15791-00	COLLAR	1	NLA
31	3R3-25367-00-00	COVER, HUB DUST	1	NLA
32	90387-15792-00	COLLAR	1	NLA
33	93210-27ME3-00	O-RING	1	
34	2X3-25327-00-00	COVER, PLATE	1	NLA
35	90387-15790-00	COLLAR NLA	1	
36	90381-15029-00	BUSH, SOLID	2	NLA
37	3R3-25381-01-00	AXLE, WHEEL	1	NLA
38	90170-14349-00	NUT	1	
39	92907-14100-00 !	WASHER (6TC)	1	replace 92901-14100-00
40	4V2-25371-00-00	BAR, TENSION	1	NLA
41	93399-99906-00	BEARING, SPECIAL	1	NLA
42	90387-082E1-00	COLLAR	2	NLA
43	90102-08043-00	BOLT, WITH HOLE	1	NLA
44	95617-08100-00 !	NUT, U	1	replace 95611-08100-00

Continued on next frame =>

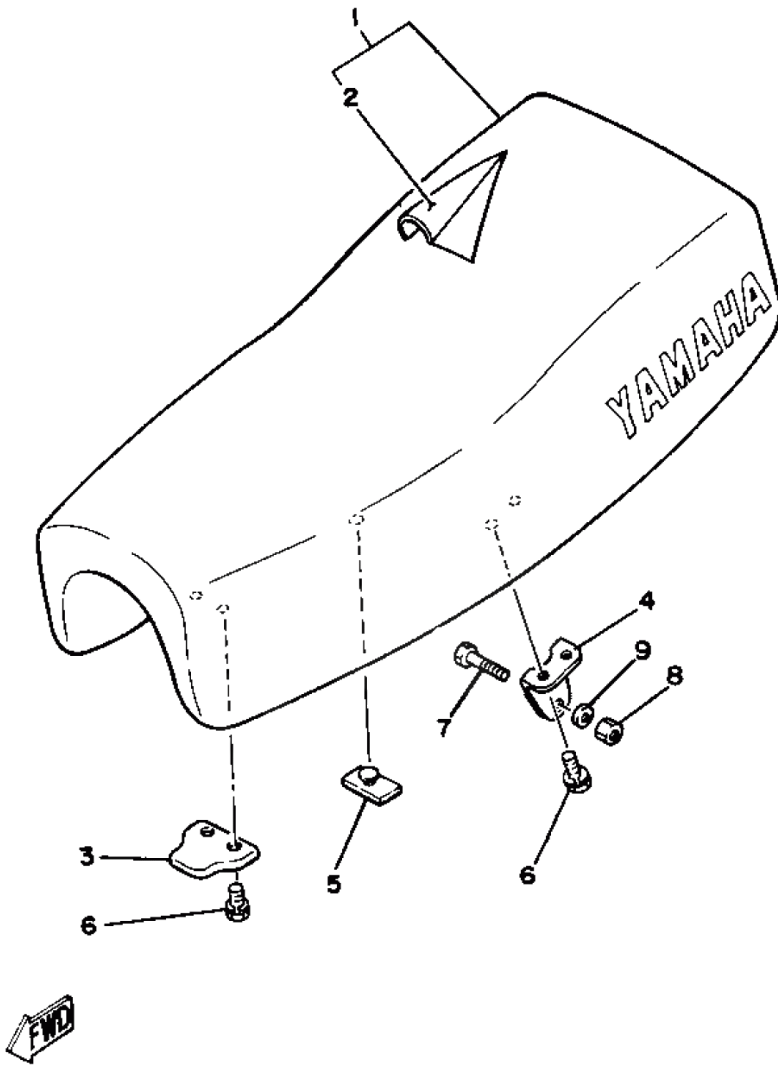
REAR WHEEL



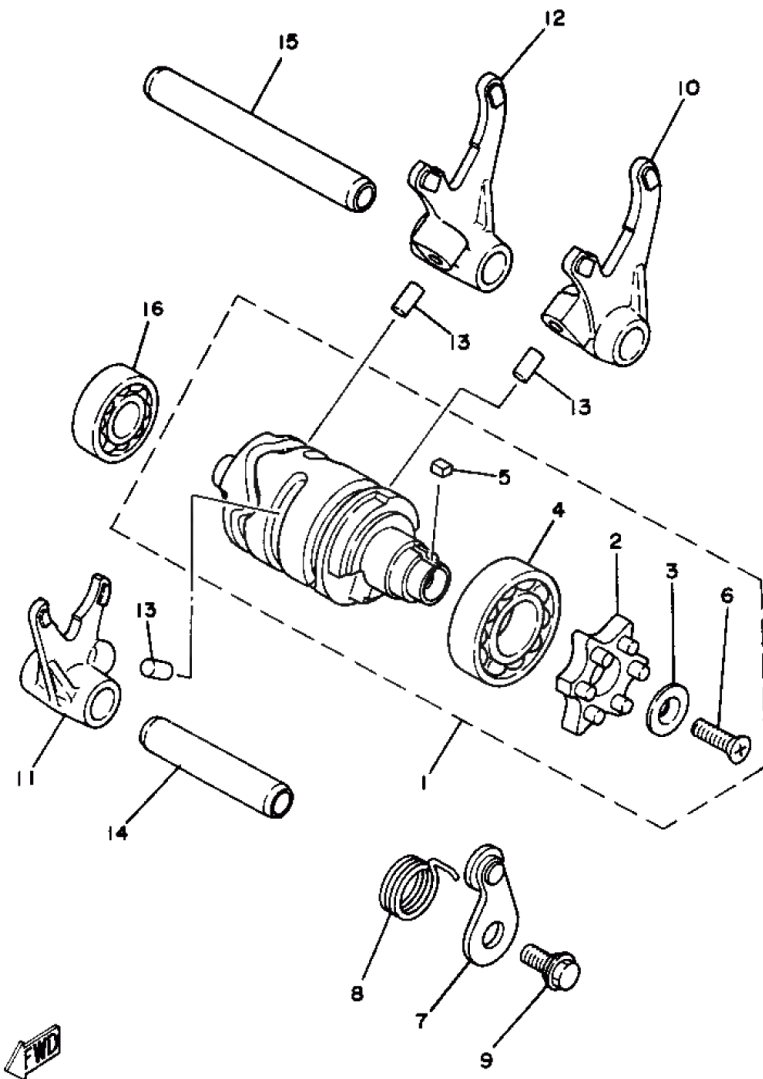
Ref. No	Part Number	Description	Qty	Remark
45	91490-20025-00 !	PIN, COTTER	1	replace 91490-20020-00
46	90387-08699-00	COLLAR NLA	1	
47	90102-08034-00	BOLT, WITH HOLE	1	NLA
48	92990-08100-00	WASHER, SPRING	1	
49	91490-20025-00 !	PIN, COTTER	1	replace 91490-20020-00
50	4V4-25335-00-00	CAP	1	NLA

SEAT

Ref. No	Part Number	Description	Qty	Remark
1	3R3-W2473-00-00	SEMI-DBL-SEAT ASSEMBLY	1	NLA
2	3R3-24771-00-00	COVER, SM-DBL SEAT	1	NLA
3	1M1-24748-00-00	BRACKET, SEAT	1	NLA
4	1W1-24738-00-00	BRACKET, SEAT	2	NLA
5	509-24724-00-00	DAMPER, SEAT	6	
6	90101-06304-00	BOLT	6	
7	97014-06035-00 !	BOLT, HEXAGON	2	replace 97013-06035
8	95617-06100-00 !	NUT, U	2	replace 95601-06100
9	92990-06200-00	WASHER, PLAIN	2	

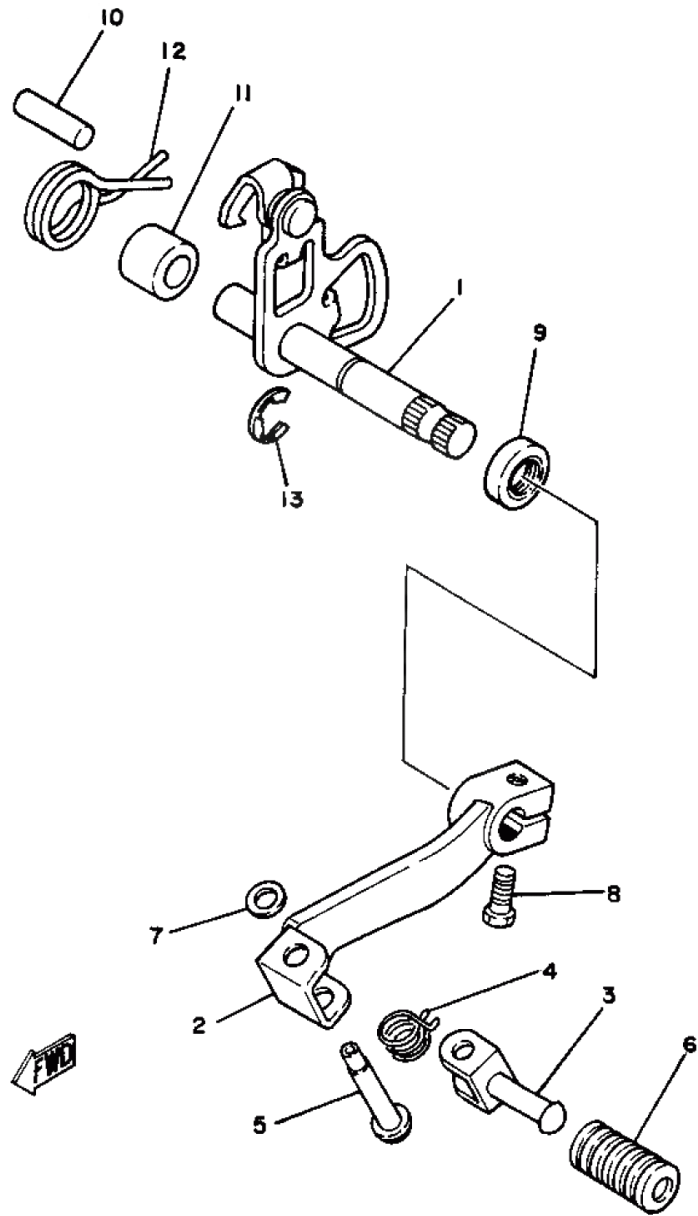


SHIFT CAM - FORK



Ref. No	Part Number	Description	Qty	Remark
1	24X-18540-00-00	SHIFT CAM ASSEMBLY	1	
2	3R4-18185-00-00	SEGMENT	1	
3	3R4-18561-00-00	PLATE, SIDE 1	1	
4	93306-00438-00 !	BEARING	1	replace 93306-00406
5	90282-04036-00	KEY, STRAIGHT	1	
6	98707-05016-00 !	SCREW, FLAT HEAD	1	replace 98701-05016
7	3R3-18140-00-00	STOPPER LEVER ASSEMBLY	1	NLA
8	90508-26435-00	SPRING, TORSION	1	NLA
9	90109-06190-00 !	BOLT	1	replace 50W-21631
10	3R3-18511-00-00	FORK, SHIFT 1	1	NLA
11	3R3-18512-00-00	FORK, SHIFT 2	1	
12	3R3-18513-00-00	FORK, SHIFT 3	1	NLA
13	90250-06013-00	PIN, STRAIGHT	3	
14	4BA-18531-00-00 !	BAR, SHIFT FORK GUIDE 1	1	replace 5X5-18531
15	5X5-18535-01-00	BAR, SHIFT FORK GUIDE 2	1	
16	93306-20119-00 !	BEARING	1	replace 93306-20110

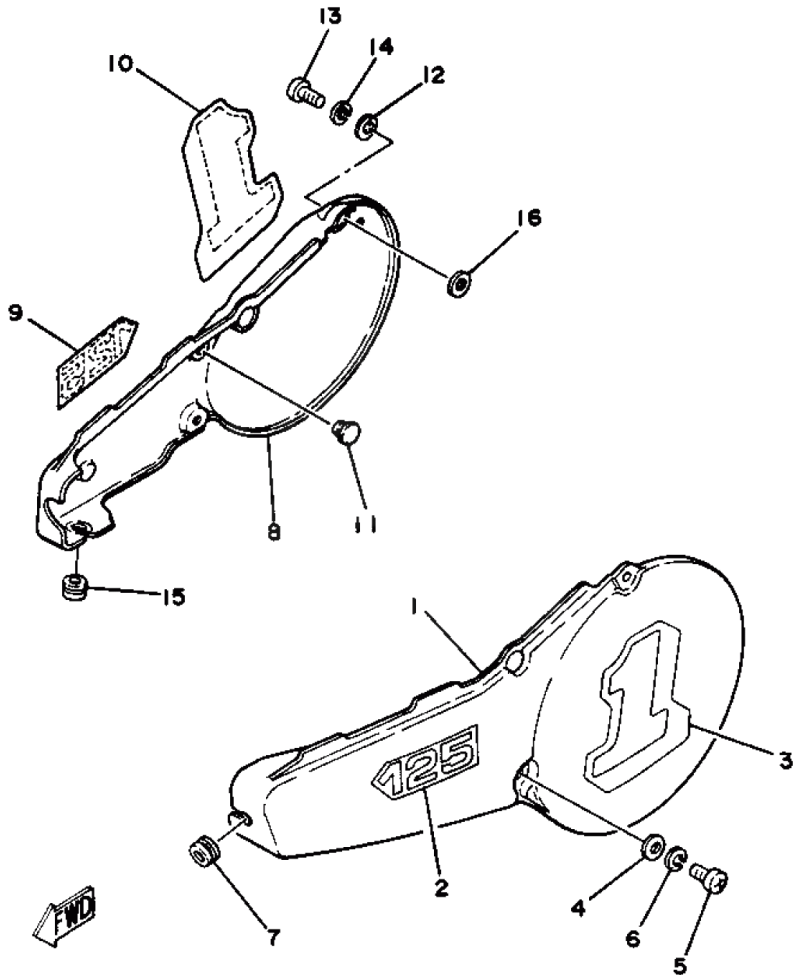
SHIFT SHAFT - PEDAL



Ref. No	Part Number	Description	Qty	Remark
1	4V2-18101-01-00	SHIFT SHAFT ASSEMBLY.1	1	NLA
2	5X4-18110-01-00 !	SHIFT PEDAL ASSEMBLY	1	Replace 4V2-18111
3	3R8-18162-00-00	PEDAL, SHIFT	1	NLA
4	90508-20415-00	SPRING, TORSION	1	NLA
5	90243-08019-00	PIN (90243-08017)	1	NLA
6	1W6-18113-00-00	COVER, SHIFT PEDAL	1	
7	90201-06042-00	WASHER, PLATE	1	
8	97017-06020-00 !	BOLT	1	replace 97011-06020
9	93109-12012-00	OIL SEAL	1	
10	93608-25150-00	PIN, DOWEL	1	
11	90560-11189-00	SPACER	1	
12	90508-32374-00	SPRING, TORSION	1	
13	99006-10600-00	CIRCLIP	1	

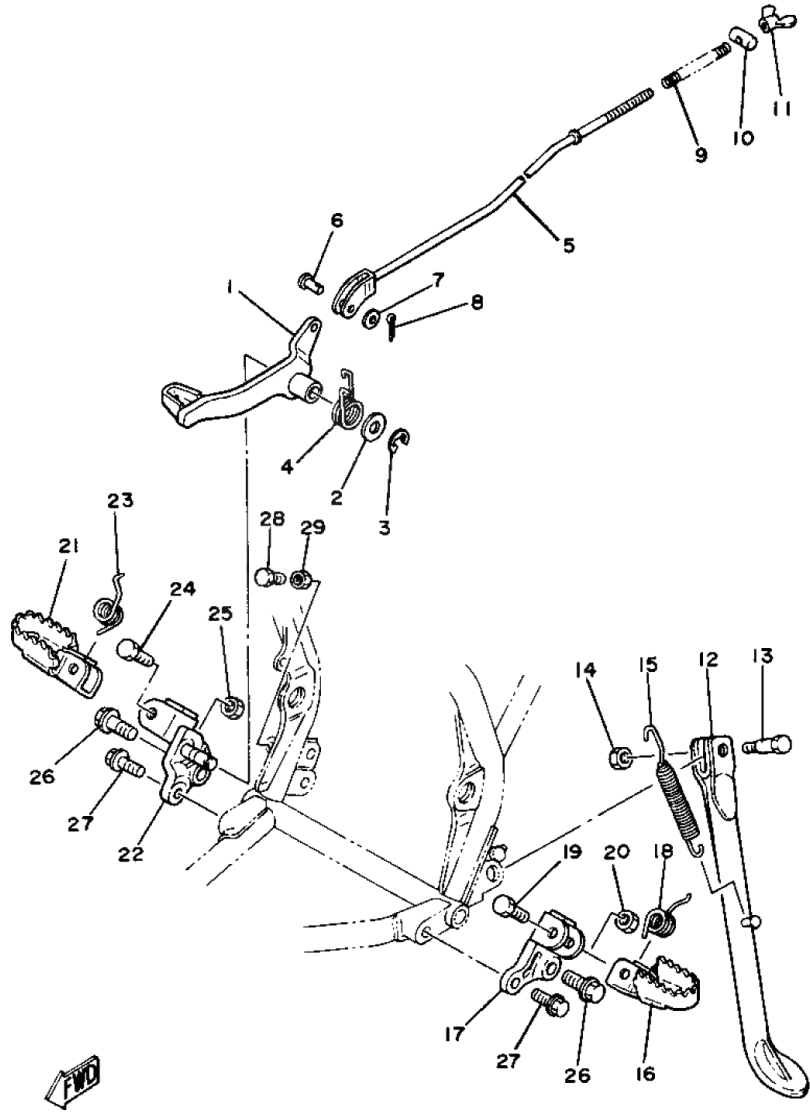
SIDE COVER

Ref. No	Part Number	Description	Qty	Remark
1	3R3-21711-01-98	COVER, SIDE 1	1	LOW GLOSS BLK/YELLOW NLA
2	3R3-21737-00-00	EMBLEM	1	NLA
3	3R2-21782-00-00	EMBLEM 2	1	NLA
4	90201-06380-00 !	WASHER, PLATE	2	replace 90201-06067
5	98507-06014-00 !	SCREW, PAN HEAD	2	replace 98503-06014
6	92995-06100-00	WASHER, SPRING	2	
7	90480-12053-00	GROMMET	1	
8	3R3-21721-02-98	COVER, SIDE 2 (R.H.)	1	NLA
9	3R3-21737-00-00	EMBLEM	1	NLA
10	3R2-21782-00-00	EMBLEM 2	1	NLA
11	22W-24181-00-00	DAMPER, LOCATING 1	3	
12	90201-06380-00 !	WASHER, PLATE	2	replace 90201-06067
13	98507-06014-00 !	SCREW, PAN HEAD	2	replace 98503-06014
14	92995-06100-00	WASHER, SPRING	2	
15	90480-12053-00	GROMMET	1	
16	92990-08200-00	WASHER, PLAIN	1	



STAND - FOOTREST

Ref. No	Part Number	Description	Qty	Remark
1	5X4-27211-00-90	PEDAL, BRAKE	1	UNI CHROME (BLACK) NLA
2	92990-12200-00	WASHER, PLAIN	1	
3	93430-09038-00	CIRCLIP	1	
4	90508-32438-00	SPRING, TORSION	1	NLA
5	4V2-27231-00-00	ROD, BRAKE	1	NLA
6	90240-06103-00	PIN, CLEVIS	1	
7	92990-06200-00	WASHER, PLAIN	1	
8	91490-20025-00 !	PIN, COTTER	1	replace 91490-20020
9	90501-10245-00	SPRING, COMPRESSION	1	
10	90249-12008-00	PIN	1	
11	90179-06411-00	NUT	1	
12	3R3-27311-00-33	STAND, SIDE	1	YAMAHA BLACK NLA
13	90109-10473-00 !	BOLT	1	replace 90109-103A1
14	95380-10700-00 !	NUT	1	replace 95303-10700
15	90507-29008-00	SPRING, TENSION	1	
16	22W-27411-01-90 !	FOOTREST 1	1	replace 5X3-27411
17	4V2-27412-01-00	BRACKET, FOOTREST 1	1	NLA
18	90508-20023-00	SPRING, TORSION	1	
19	90101-08428-00	BOLT	1	
20	95617-08100-00 !	NUT, U	1	replace 95611-08100
21	22W-27421-01-90 !	FOOTREST 2	1	Replace 3R1-27421-00
22	4V2-27422-01-00	BRACKET, FOOTREST 2	1	NLA
23	90508-20023-00	SPRING, TORSION	1	

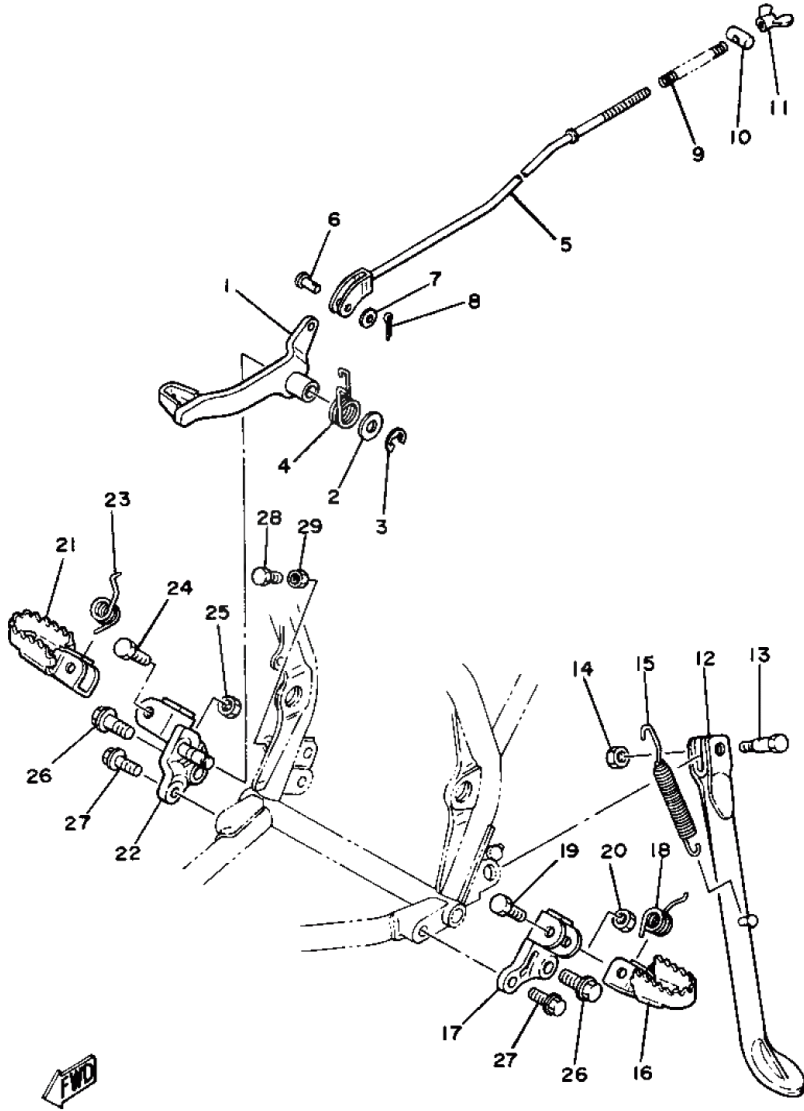


Continued on next frame =>

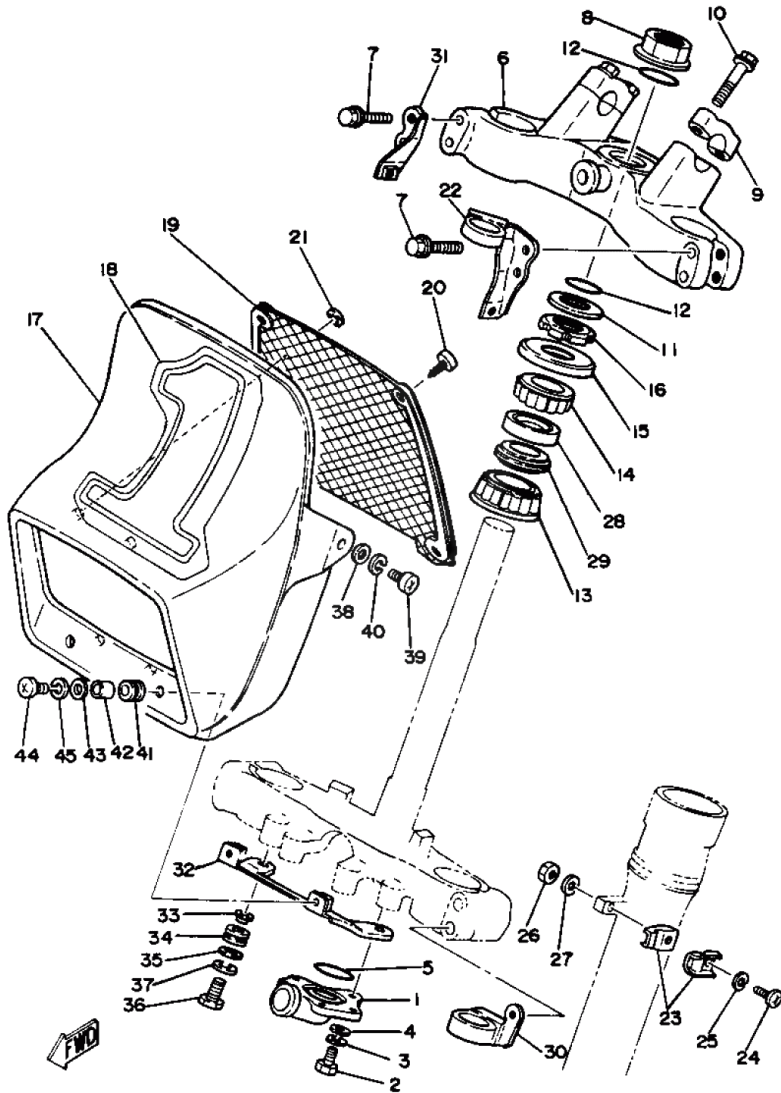
STAND - FOOTREST

Ref. No	Part Number	Description	Qty	Remark
---------	-------------	-------------	-----	--------

24	90101-08428-00	BOLT	1	
25	95617-08100-00 !	NUT, U	1	
26	90105-12096-00	BOLT, WASHER BASED	2	NLA
27	95817-10020-00 !	BOLT, FLANGE	2	
28	97017-06020-00 !	BOLT	1	
29	95380-06700-00	NUT	1	



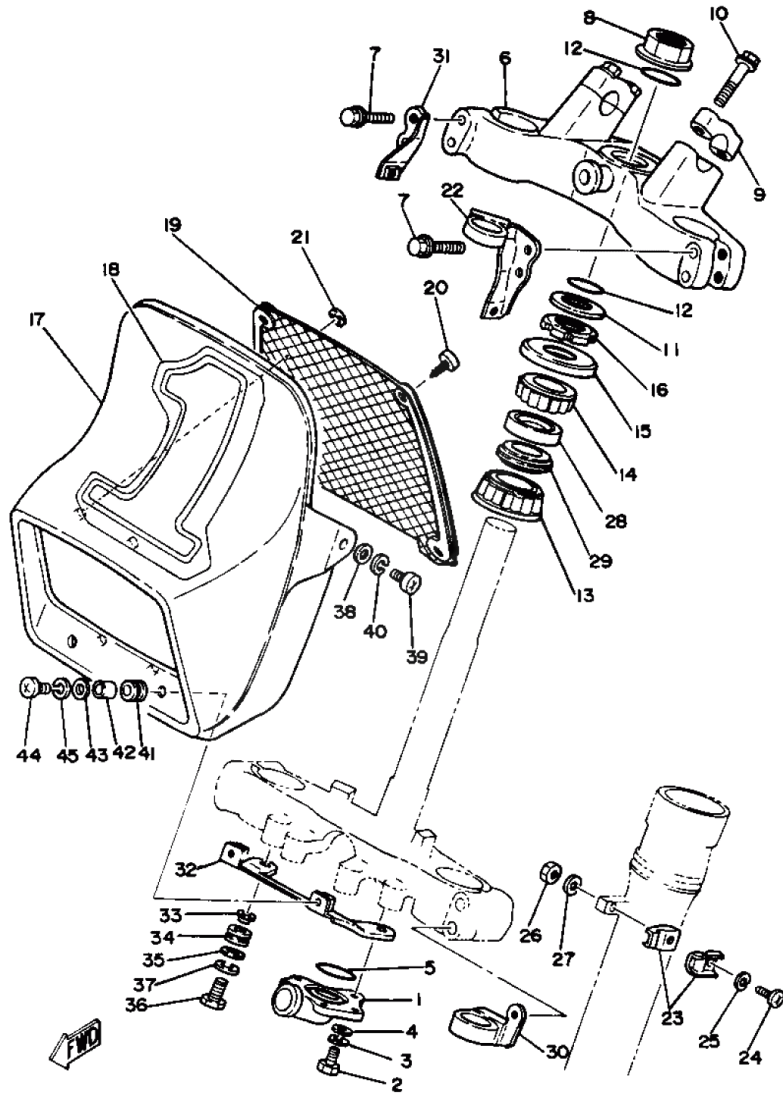
STEERING



Ref. No	Part Number	Description	Qty	Remark
1	4V2-23491-00-00	JOINT	1	NLA
2	97095-06016-00 !	BOLT	3	replace 97313-06016
3	92995-06100-00	WASHER, SPRING	3	
4	92990-06600-00 !	WASHER, PLATE	3	replace 92901-06600
5	93210-37M67-00	O-RING	1	
6	4V2-23435-00-98	CROWN, HANDLE	1	LOW GLOSS BLK NLA
7	95824-08040-00 !	BOLT	4	replace 90105-08091
8	90179-22330-00	NUT	1	
9	1E6-23441-00-00	HOLDER, HANDLE UPPER	2	LOW GLOSS BLK
10	95817-08035-00 !	BOLT, FLANGE	4	replace 95811-08035
11	90201-237E8-00	WASHER, PLATE	1	NLA
12	93210-23326-00	O-RING	2	
13	93332-00008-00	BEARING	1	
14	93332-00001-00	BEARING	1	
15	1W1-23416-00-00 !	COVER, BALL RACE 2	1	replace 3HE-23416
16	90179-25004-00 !	NUT	1	replace 90179-25033
17	4V2-23485-00-00	PLATE, NUMBER	1	YELLOW NLA
18	3R2-21782-00-00	EMBLEM 2	1	NLA
19	4V2-23472-00-00	PROTECTOR	1	NLA
20	97780-50612-00	SCREW, TAPPING	4	
21	90183-04005-00	NUT, SPRING	4	
22	4V2-23317-00-00	HOLDER, CABLE	1	NLA

Continued on next frame =>

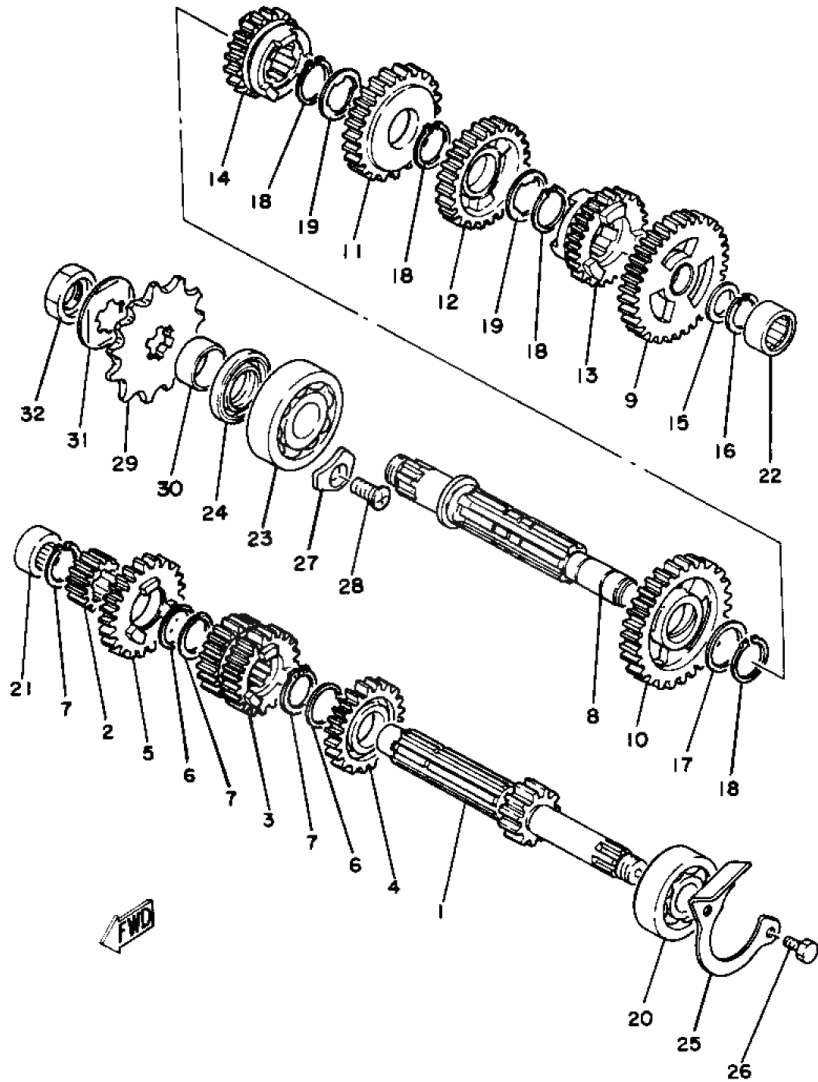
STEERING



Ref. No	Part Number	Description	Qty	Remark
23	90462-14055-00	CLAMP	2	
24	98517-06025-00 !	SCREW, PAN HEAD	1	replace 98511-06025
25	92995-06100-00	WASHER, SPRING	1	
26	95380-06600-00	NUT, HEXAGON	1	
27	92990-06600-00 !	WASHER, PLATE	1	replace 92901-06600
28	93102-28234-00	OIL SEAL, SD-TYPE	1	NLA
29	93107-30009-00	OIL SEAL, OS-TYPE	1	NLA
30	4V2-23389-00-00	GUIDE, CABLE	1	NLA
31	4V2-2317E-00-00	STAY	1	NLA
32	4V2-23486-00-00	STAY, PLATE	1	NLA
33	90560-06201-00	SPACER	2	
34	90480-13018-00	GROMMET	2	
35	90201-06049-00 !	WASHER, PLATE	2	replace 90201-062G3
36	97017-06020-00 !	BOLT	2	replace 97011-06020
37	92995-06100-00	WASHER, SPRING	2	
38	90201-06380-00 !	WASHER, PLATE	2	replace 90201-06067
39	98507-06014-00 !	SCREW, PAN HEAD	2	replace 98503-06014
40	92995-06100-00	WASHER, SPRING	2	
41	90480-13238-00	GROMMET	2	
42	90387-06026-00	COLLAR	2	
43	90201-06049-00 !	WASHER, PLATE	2	replace 90201-062G3
44	98517-06025-00 !	SCREW, PAN HEAD	2	replace 98511-06025
45	92995-06100-00	WASHER, SPRING	2	

TRANSMISSION

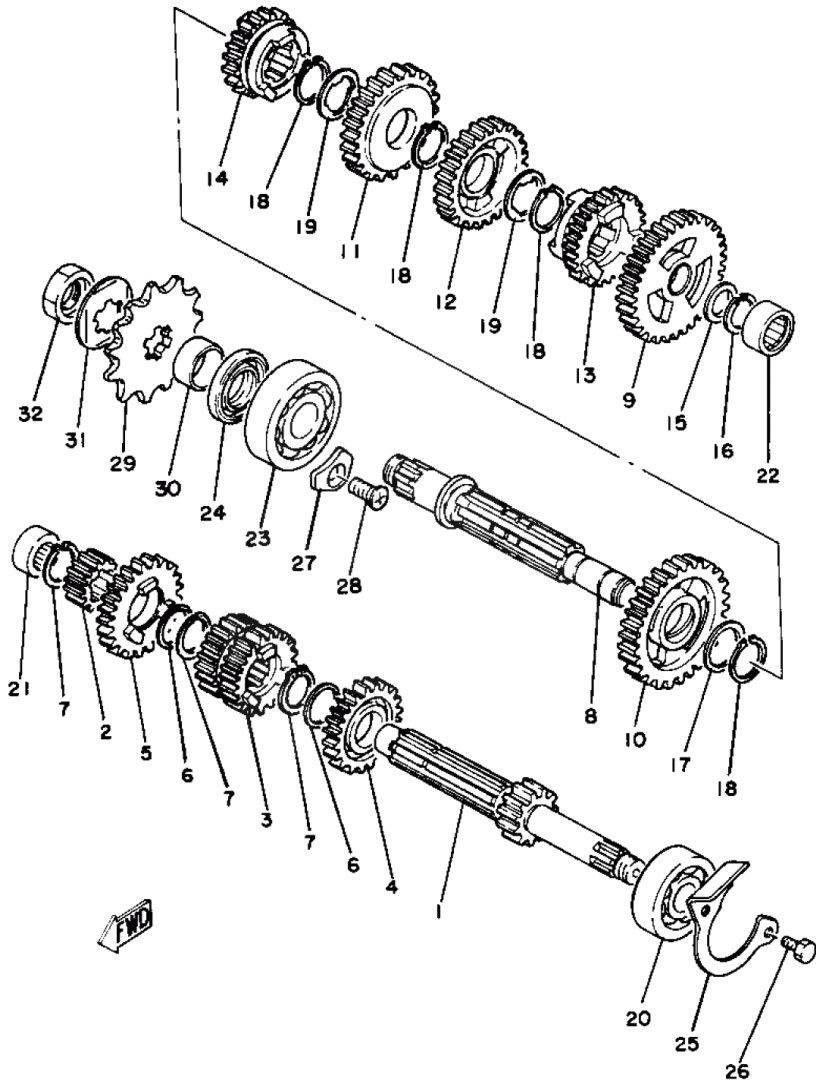
Ref. No	Part Number	Description	Qty	Remark
1	3R3-17411-00-00	AXLE, MAIN (13T)	1	NLA
2	5X4-17121-02-00	GEAR, 2ND PINION	1	NLA
3	3R3-17131-01-00	GEAR, 3RD PINION (16T, 20T)	1	NLA
4	3R3-17151-02-00	GEAR, 5TH PINION (19T)	1	NLA
5	3R3-17161-02-00	GEAR, 6TH PINION	1	NLA
6	90201-20266-00	WASHER, PLATE (T=1.0)	2	
7	93410-20038-00	CIRCLIP	3	
8	3R3-17421-00-00	AXLE, DRIVE	1	NLA
9	5X4-17211-01-00	GEAR, 1ST WHEEL	1	NLA
10	3R3-17221-01-00	GEAR, 2ND WHEEL (26T)	1	
11	3R3-17231-01-00	GEAR, 3RD WHEEL (24T)	1	NLA
12	3R3-17241-01-00	GEAR, 4TH WHEEL (25T)	1	NLA
13	3R3-17251-02-00	GEAR, 5TH WHEEL (21T)	1	
14	3R3-17261-02-00	GEAR, 6TH WHEEL	1	NLA
15	90201-15701-00	WASHER, PLATE (T=1.0)	1	
16	93440-15012-00	CIRCLIP	1	
17	90201-22555-00	WASHER, PLATE	1	
18	93410-22039-00	CIRCLIP	4	
19	90209-18135-00	WASHER	2	
20	93306-30317-00 !	BEARING	1	replace 93306-30309
21	93311-41530-00	BEARING	1	
22	93311-31567-00	BEARING, CYLINDRICAL	1	
23	93306-30411-00	BEARING (B6304)	1	



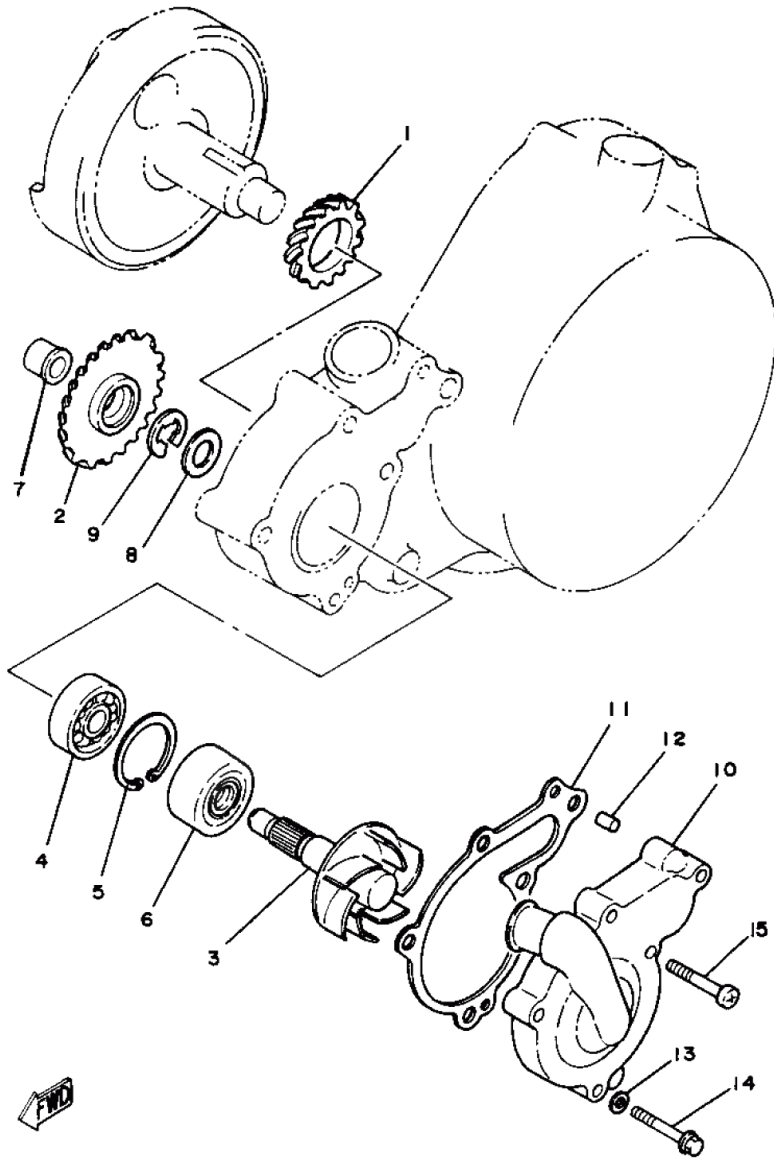
Continued on next frame =>

TRANSMISSION

Ref. No	Part Number	Description	Qty	Remark
24	93102-26042-00	OIL SEAL	1	
25	3R3-17471-00-00	PLATE, COVER	1	
26	97013-06012-00	BOLT	2	
27	4XM-15383-00-00 !	PLATE, BEARING COVER	1	replace 2K7-15383-00
28	98603-06012-00	SCREW, OVAL HEAD	1	(92701-060112) NLA
29	93832-11007-00	SPROCKET, DRIVE 11T	1	ALTERNATE PART
	93832-12014-00	SPROCKET, DRIVE 12T	1	U.R. STD
	93832-13027-00	SPROCKET, DRIVE 13T	1	ALTERNATE PART
30	90387-202A0-00	COLLAR	1	
31	90215-16127-00	WASHER, LOCK	1	
32	90179-16226-00	NUT	1	



WATER PUMP



Ref. No	Part Number	Description	Qty	Remark
1	4V2-12436-01-00	GEAR, DRIVE	1	NLA
2	4V2-12459-01-00	GEAR, IMPELLER SHAF	1	NLA
3	4V2-12450-00-00	IMPELLER SHAFT ASSEMBLY	1	NLA
4	93306-00105-00	BEARING	1	
5	93420-28055-00	CIRCLIP	1	
6	93103-12119-00	OIL SEAL	1	
7	90381-08002-00	BUSH, SOLID	1	
8	90201-10614-00	WASHER, PLATE	1	
9	99001-08600-00	CIRCLIP	1	
10	4V2-12422-01-00	COVER, HOUSING	1	NLA
11	4V2-12428-01-00 !	GASKET, HSNQ COR 2	1	replace 4V2-12428-00 NLA
12	93604-10011-00	PIN, DOWEL	2	
13	90430-06166-00	GASKET	1	
14	95817-06025-00 !	BOLT, FLANGE	1	replace 95826-06025
15	98517-06025-00 !	SCREW, PAN HEAD	1	replace 98506-06025