



YAMAHA

PARTS CATALOGUE

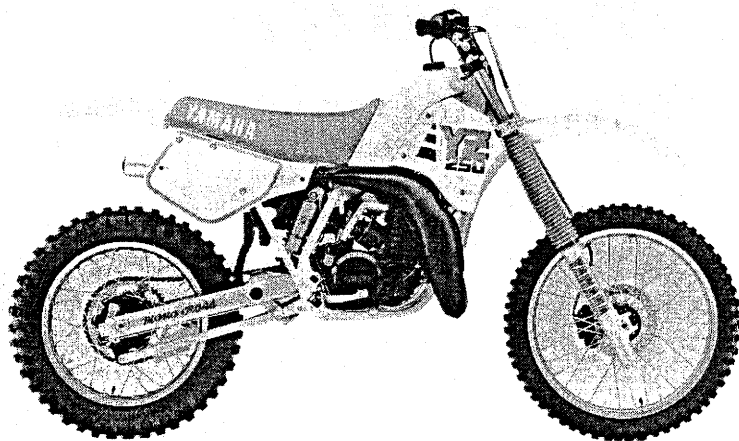
YZ250T (2HH)

172HH-700E1

A2

M/FICHE MASTERS

from year 4/6 1955-11-
June 87



A3

FOREWORD

This Parts Catalogue is related to the parts in use for the Yamaha YZ250T (2HH).
When you are ordering replacement parts for the YZ250T (2HH), refer to this Parts Catalogue and quote both part numbers and part names correctly.

- Modifications or additions which have been made after issue of the Parts Catalogue will be announced in the Yamaha Parts News.
It is advisable that according to the Yamaha Parts News you make necessary corrections to the Parts Catalogue on hand to keep it up-to-date.

2. Abbreviations

The following abbreviations are used in this Parts Catalogue.

- U.R. Use size (thickness) and/or number as required.
- U.N. Use as many as you need.
- A.P. Alternate Parts
- L.M. Local Made
- F= Frame No. (Applicable machine No.)

- The parts marked with (+) in the parts number column of this Catalogue are not supplied with by Yamaha, those have to be found locally.
- Parts, which are to be supplied in the form of assemblies, are listed with an indentation of one letter's space, and a dot (.) is put against the name of each part.

EXAMPLE CARBURETOR ASS'Y
 . JET, pilot
 . NOZZLE, main

5. Indication of No. of constituent parts for assembly

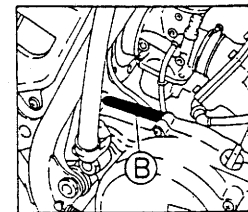
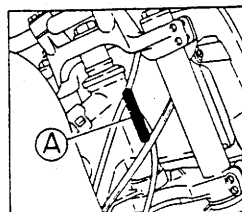
The numeral appearing to the right of each constituent part under the description indicates the quantity of such parts for each individual assembly unit.

EXAMPLE

Part No.	Description	Q'ty	Remarks
2F5-83310-60	FRONT FLASHER LIGHT ASS'Y	2	
115-83311-60	. BULB (6V-18W)	1	
1M1-83309-60	. REFLECTOR	1	

6. Initial Serial No. and Color Code

(A) Frame Serial No.	2HH-000101 and following
(B) Engine Serial No.	2HH-000101 and following



Color Code	Color Name	Abbreviate
36	CLEAN WHITE	W

- Applicable colors of graphics are represented in the "Remarks" column by the letter(s) appropriately picked out of the full word(s) showing such colors.

EXAMPLE

Part No.	Description	Q'ty	Remarks
2N4-24110-00-X5	FUEL TANK COMP.	1	MAXIM RED
3J1-24240-10	. GRAPHIC, fuel tank set	1	for MXR

CONTENTS

ENGINE

Cylinder	B2 ~ B3
Governor	B4
Crankshaft. Piston	B5
Water Pump	B6
Radiator. Hose	B7
Intake	B8
Carburetor	B9 ~ B10
Exhaust	B11
Crankcase	B12
Crankcase Cover 1	B13
Starter	B14
Clutch	B15
Transmission	C2 ~ C3
Shift Cam. Fork	C4
Shifter	C5

CHASSIS

Frame	C6
Fender	C7
Side Cover	C8 ~ C9
Rear Arm	C10 ~ C11
Rear Suspension	C12
Steering	C13
Front Fork	C14 ~ D2
Fuel Tank	D3
Seat	D4
Front Wheel	D5
Front Brake Caliper	D6
Rear Wheel	D7 ~ D8

Steering Handle. Cable	D9
Front Master Cylinder	D10
Stand. Footrest	D11
Generator	D12
Handle Switch. Lever	D13
Electrical 1	D14

ALTERNATE PARTS

Alternate 1 (Chassis)	D15
-----------------------------	-----

REPAIR KIT

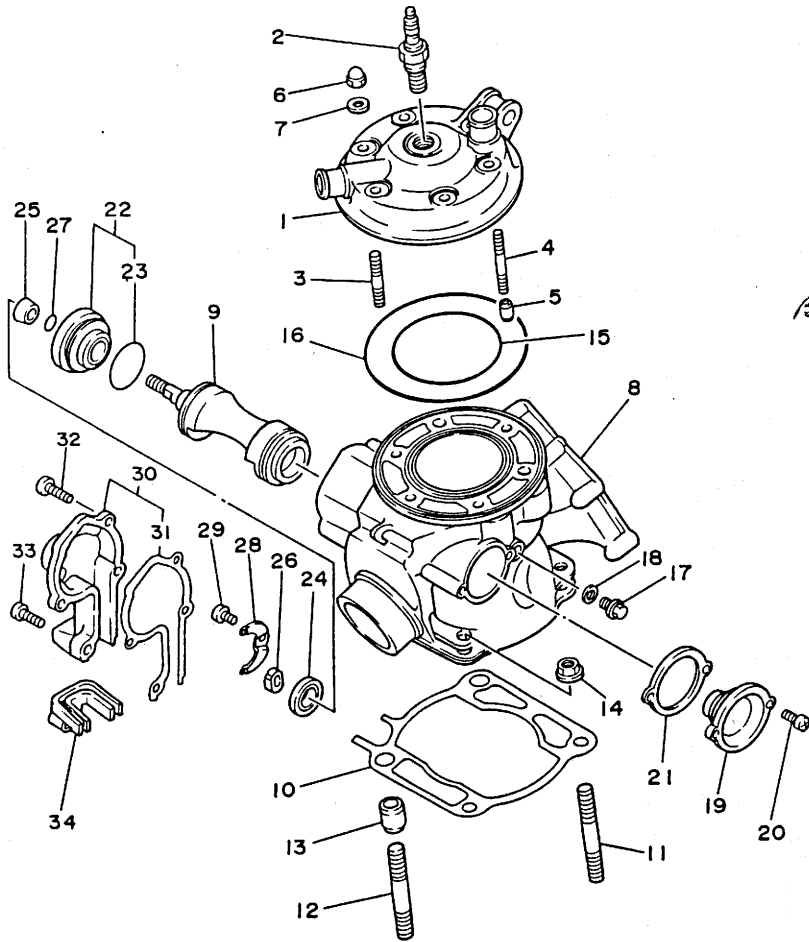
Repair Kit	E2
------------------	----

INDEX

Numerical Index	M1 ~ M3
-----------------------	---------

FIG. 1 CYLINDER

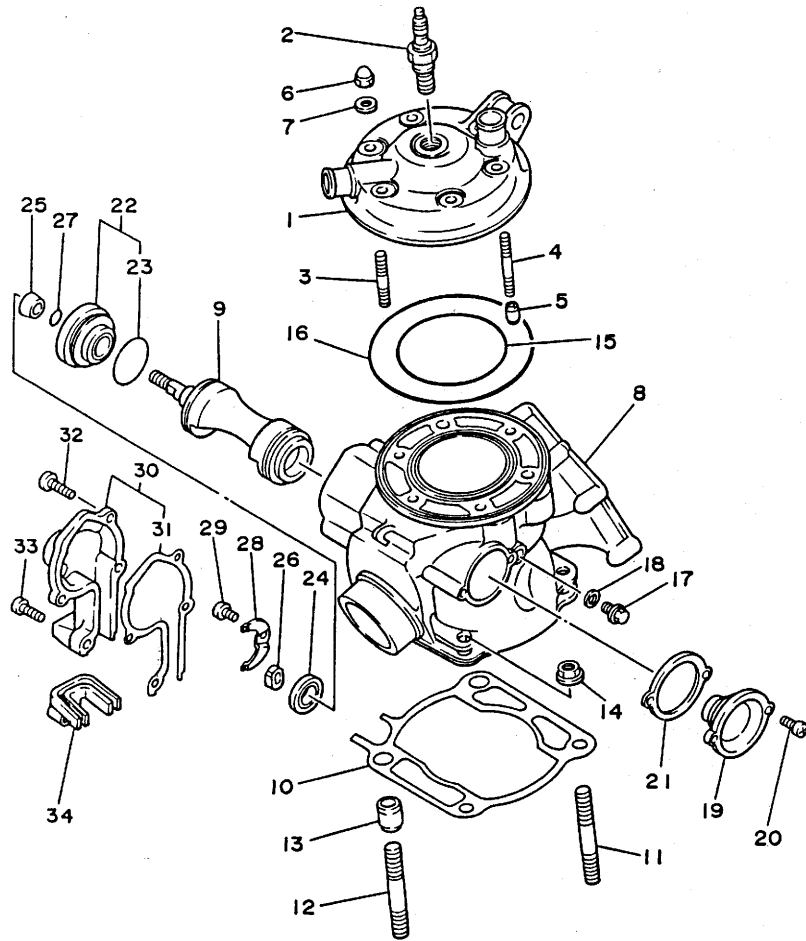
REF. NO.	PART NO.	DESCRIPTION	Q'TY	REMARKS
1	2HH-11111-00	HEAD, cylinder 1	1	
2	*	PLUG, spark (CHAMPION N-86)	1	UR LM
	*	PLUG, spark (CHAMPION QN-86)	1	UR LM FOR S.AFRICA
3	90116-08394	BOLT, stud	4	
4	90116-08392	BOLT, stud	2	
5	99510-10114	PIN, dowel	2	
6	90176-08026	NUT, crown	6	
7	90201-08087	WASHER, plate	6	
8	2HH-W1131-00	CYLINDER	1	
9	2HH-1131A-00	VALVE 1	1	
10	1LU-11351-00	GASKET, cylinder	1	
11	90116-10313	BOLT, stud	2	
12	90116-10314	BOLT, stud	2	
13	99530-14016	PIN, dowel	2	
14	95701-10500	NUT, flange	4	
15	93210-77363	O-RING	1	
16	93211-17405	O-RING	1	
17	95826-06012	BOLT, flange	1	
18	90430-06192	GASKET	1	
19	39W-W1132-00	HOLDER 1	1	
20	98506-05012	SCREW, pan head	2	
21	5X4-1131N-00	GASKET, holder	1	
22	5X4-Y113F-00	HOLDER 2	1	
23	93210-27244	O-RING	1	
24	93104-16074	OIL SEAL	1	
25	90387-102F3	COLLAR	1	
26	5X5-11937-00	BOSS, lever	1	
27	93210-09192	O-RING	1	



2HH100-7010

B2

FIG. 1 CYLINDER



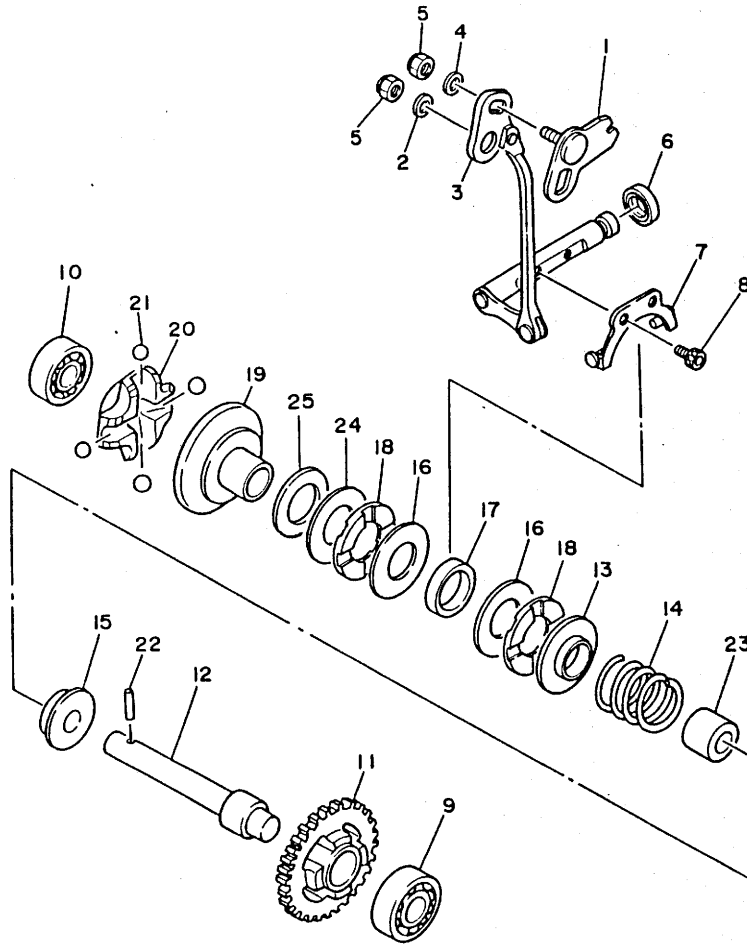
REF. NO.	PART NO.	DESCRIPTION	Q'TY	REMARKS
28	55Y-11915-00	PLATE, thrust 1	1	
29	98506-05010	SCREW, pan head	1	
30	1LU-11992-00	HOUSING 2	1	
31	1LU-11993-00	.GASKET	1	
32	98506-05018	SCREW, pan head	3	
33	98506-05014	SCREW, pan head	1	
34	39X-11995-00	SEAL, housing	1	



2HH100-7010

B3

FIG. 2 GOVERNOR



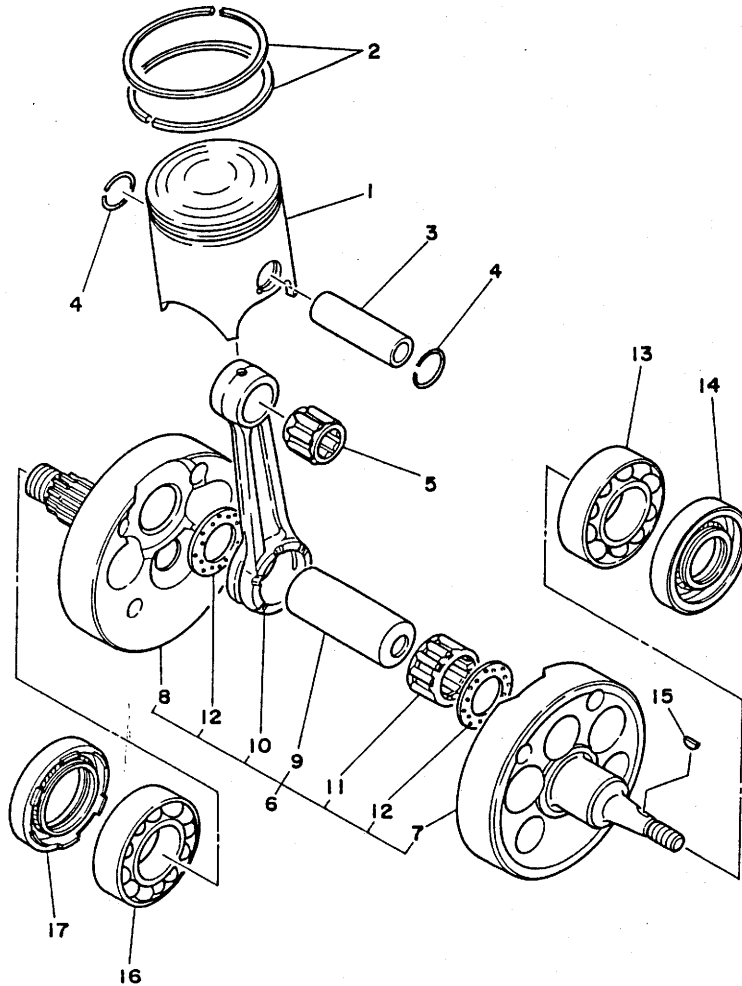
REF. NO.	PART NO.	DESCRIPTION	Q'TY	REMARKS
1	1LU-11931-00	LEVER	1	
2	90201-057K1	WASHER, plate	1	
3	1LU-11990-00	PUSH ROD ASSY	1	
4	92901-05600	WASHER, plate	1	
5	95601-05100	NUT, u	2	
6	93104-08040	OIL SEAL	1	
7	5X5-11922-00	FORK, governor	1	
8	91316-04006	BOLT	2	
9	93306-00004	BEARING	1	
10	93300-60814	BEARING (608M4ML01)	1	NMB
11	5X5-11953-00	GEAR, governor (29T)	1	
12	5X5-11921-00	SHAFT, governor	1	
13	5X5-11951-00	PLATE	1	
14	90501-24745	SPRING, compression	1	
15	5X5-11952-00	PLATE	1	
16	90201-154E9	WASHER, plate	2	
17	90387-152F2	COLLAR	1	
18	90380-15104	BUSH, solid	2	
19	5X5-11912-01	RETAINER, weight	1	
20	5X5-11911-01	RETAINER	1	
21	93521-64032	BALL	4	
22	93603-14179	PIN, dowel	1	
23	90387-083F4	COLLAR	1	
24	90201-154E9	WASHER, plate	1	UR
	90201-154F5	WASHER, plate (T=0.8)	1	UR
25	90201-154F6	WASHER, plate (T=0.2)	1	UN



ILU010-6020

B4

FIG. 3 CRANKSHAFT. PISTON



REF. NO.	PART NO.	DESCRIPTION	Q'TY	REMARKS
1	1LU-11631-01-93	PISTON (STD)	1	UR
	1LU-11631-01-94	PISTON (STD)	1	UR
	1LU-11635-01	PISTON (0.25MM O/S)	1	AP
	1LU-11636-01	PISTON (0.50MM O/S)	1	AP
	1LU-11637-01	PISTON (0.75MM O/S)	1	AP
2	56A-11601-00	PISTON RING SET (STD)	1	
	56A-11601-10	PISTON RING SET (1ST O/S)	1	AP
	56A-11601-20	PISTON RING SET (2ND O/S)	1	AP
	56A-11601-30	PISTON RING SET (3RD O/S)	1	AP
3	214-11633-00	PIN, piston	1	
4	93450-19052	CIRCLIP	2	
5	93310-418E9	BEARING, cylindrical	1	
6	56A-11400-01	CRANKSHAFT ASSY	1	
7	24Y-11412-01	.CRANK 1	1	
8	24Y-11422-01	.CRANK 2	1	
9	2X4-11681-00	.PIN, crank 1	1	
10	24Y-11651-01	.ROD, connecting	1	
11	93310-425T1	.BEARING, cylindrical	1	
12	90209-25085	.WASHER	2	
13	93306-20627	BEARING	1	
14	93103-30150	OIL SEAL	1	
15	90280-03045	KEY, woodruff	1	
16	93306-20627	BEARING	1	
17	93103-40091	OIL SEAL	1	

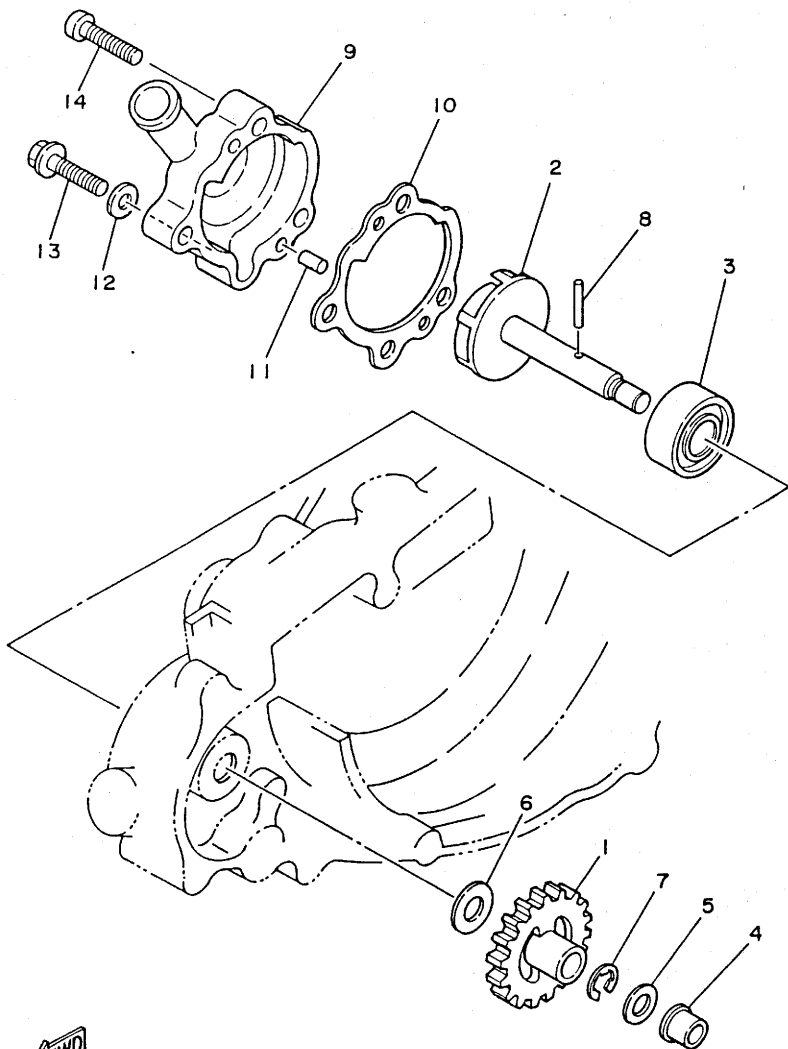


56A110-5030

B5

FIG. 4 WATER PUMP

REF. NO.	PART NO.	DESCRIPTION	Q'TY	REMARKS
1	2HH-12459-00	GEAR, impeller shaft	1	
2	39X-12450-00	IMPELLER SHAFT ASSY	1	
3	93103-10147	OIL SEAL	1	
4	90381-08002	BUSH, solid	1	
5	90201-08512	WASHER, plate	1	
6	90201-105H9	WASHER, plate	1	
7	99001-07600	CIRCLIP	1	
8	93603-22028	PIN, dowel	1	
9	39X-12422-00	COVER, housing	1	
10	5X5-12428-00	GASKET, housing cover 2	1	
11	93604-10011	PIN, dowel	2	
12	90430-06166	GASKET	1	
13	95816-06025	BOLT, flange	1	
14	92506-06025	SCREW, pan head	3	



FWD

39X100-4040

B6

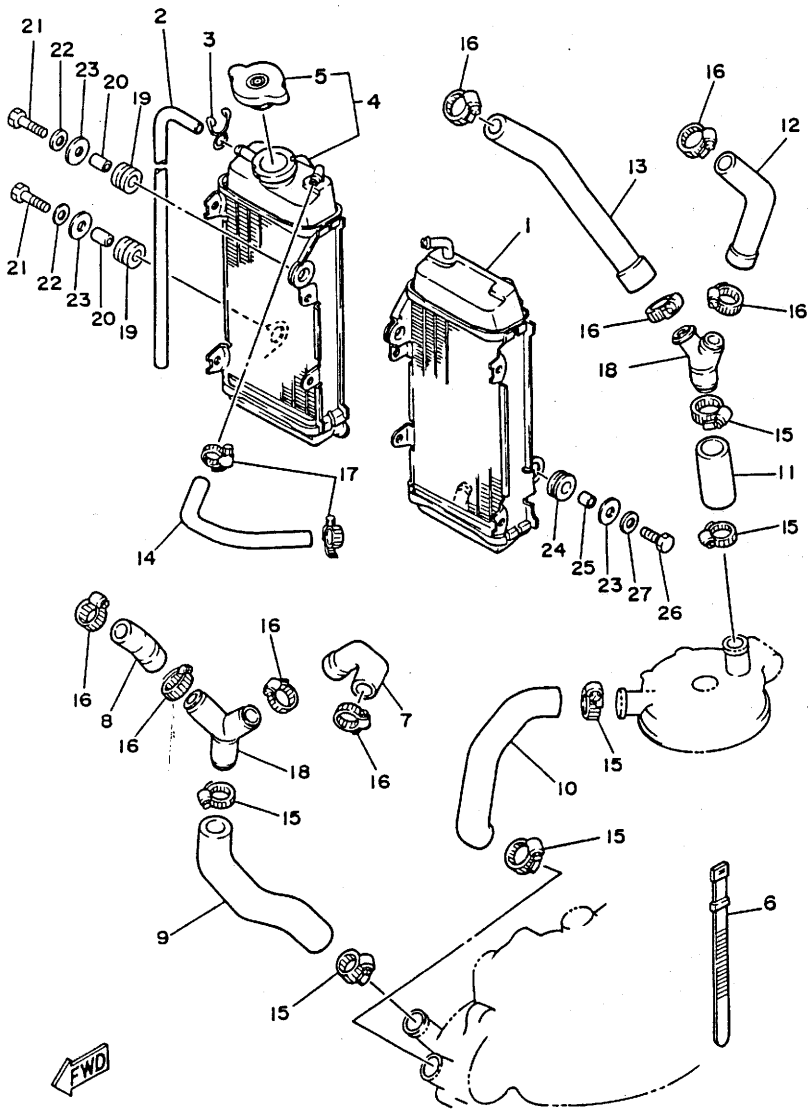


FIG. 5 RADIATOR. HOSE

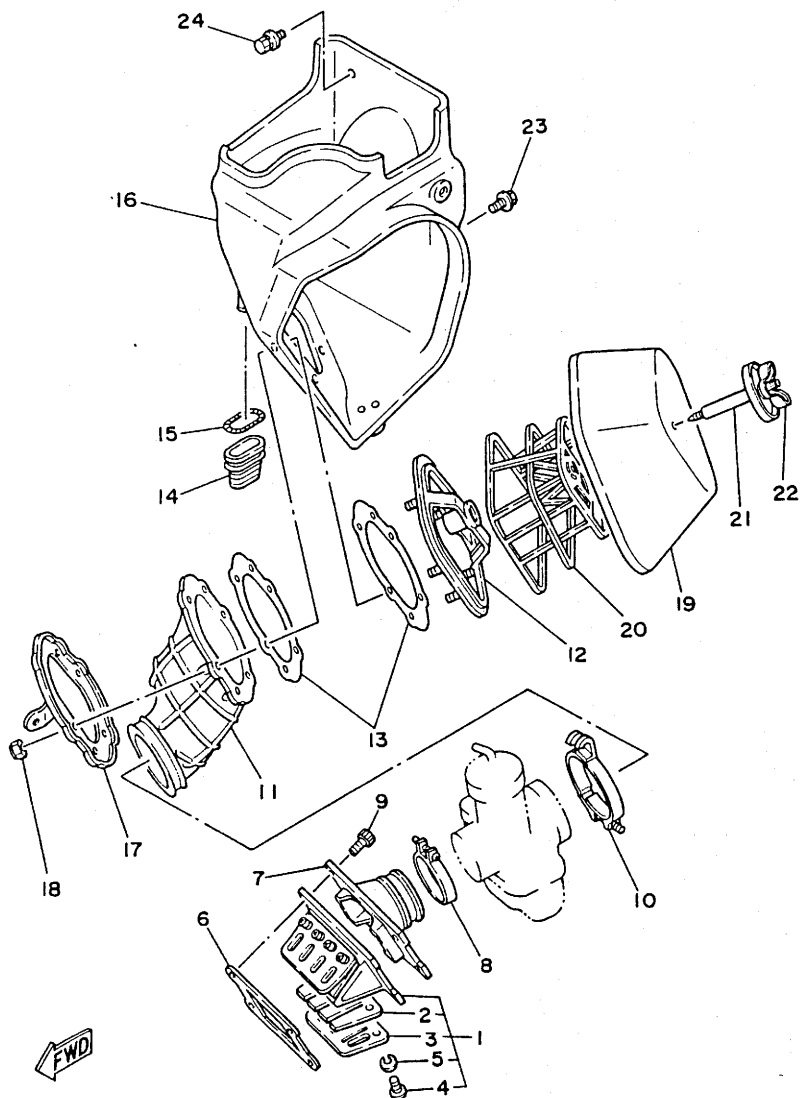
REF. NO.	PART NO.	DESCRIPTION	Q'TY	REMARKS
1	1LX-12460-00	RADIATOR ASSY	1	
2	90446-09079	HOSE	1	
3	90467-09006	CLIP	1	
4	1LU-1240A-00	RADIATOR ASSY 2	1	
5	22W-12462-00	.CAP, radiator	1	
6	437-83936-10	BAND, switch cord	1	
7	1LU-12481-00	PIPE 1	1	
8	1LU-12482-00	PIPE 2	1	
9	1LU-12483-00	PIPE 3	1	
10	39X-12484-00	PIPE 4	1	
11	39X-12485-00	PIPE 5	1	
12	1LU-12476-00	PIPE 6	1	
13	1LU-12477-00	PIPE 7	1	
14	1LU-1248A-00	PIPE 8	1	
15	90460-31253	CLAMP, hose	6	
16	90460-25288	CLAMP, hose	8	
17	90460-12268	CLAMP, hose	2	
18	24X-12469-00	JOINT 1	2	
19	90480-15064	GROMMET	2	
20	90387-07392	COLLAR	2	
21	97001-06030	BOLT	2	
22	92901-06600	WASHER, plate	2	
23	90201-06570	WASHER, plate	4	
24	90480-18276	GROMMET	2	
25	90387-07573	COLLAR	2	
26	97001-06020	BOLT	2	
27	92901-06600	WASHER, plate	2	

FWD
2HH100-7050

B7

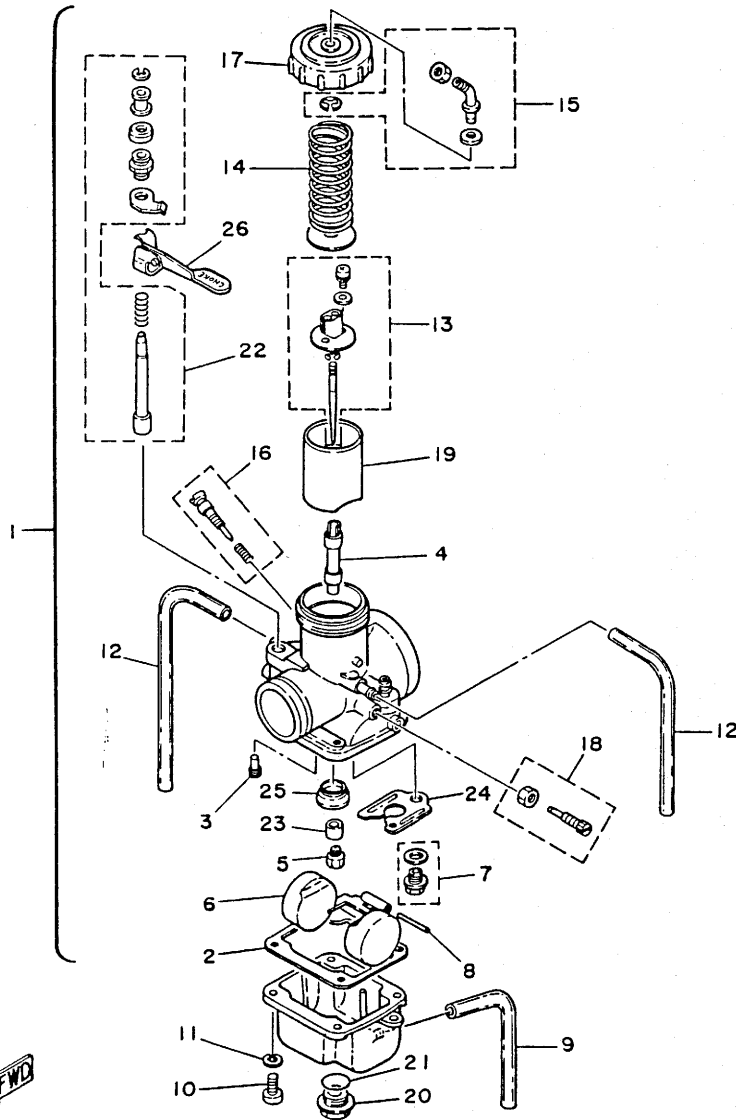
FIG. 6 INTAKE

REF. NO.	PART NO.	DESCRIPTION	Q'TY	REMARKS
1	56A-13610-01	REED VALVE ASSY	1	
2	56A-13613-00	.REED, valve	2	
3	56A-13616-00	.STOPPER, reed valve	2	
4	98580-03008	.SCREW, pan head	8	
5	92990-03100	.WASHER, spring	8	
6	39X-13621-00	GASKET, valve seat	1	
7	39X-13565-00	JOINT, carburetor	1	
8	90460-51109	CLAMP, hose	1	
9	91316-06020	BOLT	6	
10	90460-68199	CLAMP, hose	1	
11	1LU-14453-00	JOINT, air cleaner 1	1	
12	56A-14459-00	HOLDER, guide	1	
13	39X-14462-00	SEAL	2	
14	39K-14457-00	SEAL	1	
15	90504-03033	SPRING, compression	1	
16	1LU-W1441-00	AIR CLEANER CASE COMP.	1	
17	1LU-14477-00	PLATE	1	
18	95601-05100	NUT, u	6	
19	2HH-14451-00	ELEMENT, air cleaner	1	
20	2HH-14458-00	GUIDE	1	
21	2HH-14468-00	PLATE, element fitting	1	
22	90122-06025	BOLT, wing	1	
23	90119-06081	BOLT, with washer	2	
24	90119-06056	BOLT, with washer	1	



2HH100-7060

FIG. 7 CARBURETOR



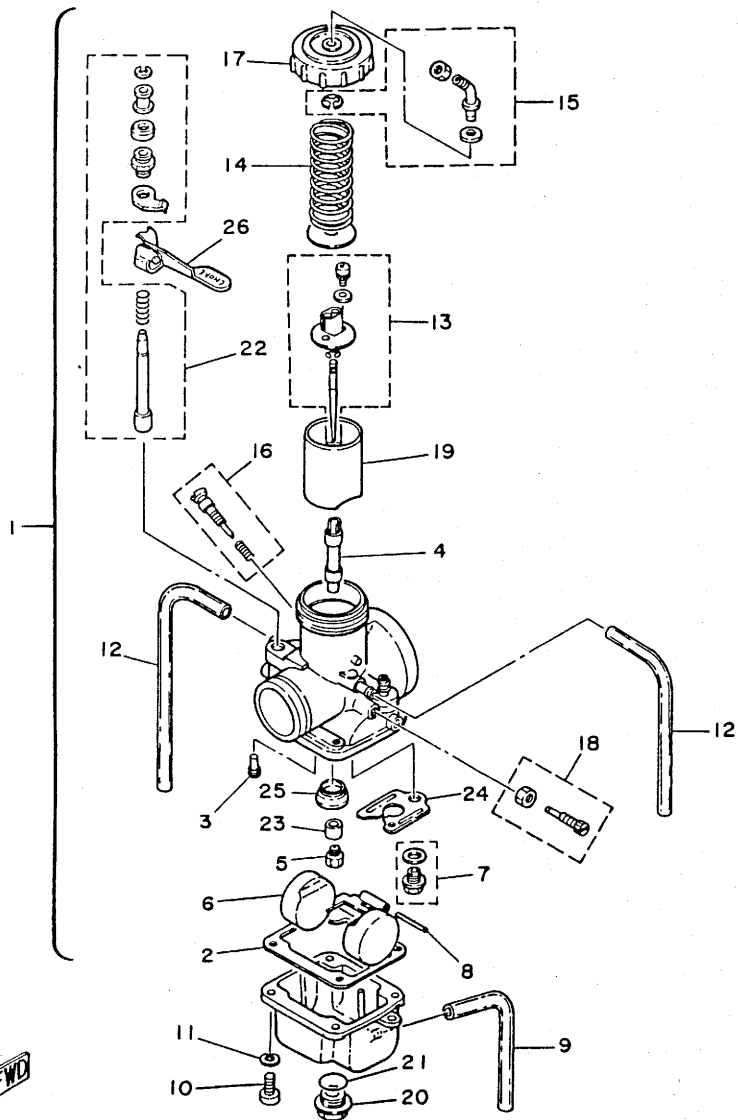
REF. NO.	PART NO.	DESCRIPTION	Q'TY	REMARKS
1	2HH-14101-00	CARBURETOR ASSY 1	1	
2	363-14184-00	.GASKET, float chamber	1	
3	193-14142-30-A0	.JET, pilot (# 30)	1	STD
	193-14142-25	.JET, pilot (# 25)	1	AP
	193-14142-35	.JET, pilot (# 35)	1	AP
4	510-14141-54	.NOZZLE, main	1	STD
	510-14141-52	.NOZZLE, main	1	AP
	510-14141-56	.NOZZLE, main	1	AP
5	137-14143-70	.JET, main (# 97.5)	1	STD
	137-14143-66	.JET, main (#330)	1	AP
	137-14143-68	.JET, main (#340)	1	AP
	137-14143-72	.JET, main (#107.5)	1	AP
	137-14143-74	.JET, main (#117.5)	1	AP
6	2N7-14185-00	.FLOAT	1	
7	23X-14107-35	.NEEDLE VALVE SET	1	
8	537-14186-00	.PIN, float	1	
9	2K7-14197-00	.PIPE	1	
10	98501-05016	.SCREW, pan head	4	
11	92990-05100	.WASHER, spring	4	
12	310-14197-00	.PIPE	2	
13	23X-1490J-00	.NEEDLE SET	1	
14	431-14131-00	.SPRING, throttle valve	1	
15	23X-14106-00	.CABLE ADJUST SCREW SET	1	
16	23X-14104-00	.AIR SCREW SET	1	
17	5Y9-14158-00	.TOP, mixing chamber	1	
18	23X-14103-00	.THROTTLE SCREW SET	1	
19	2X8-14112-35	.VALVE, throttle 1	1	STD
	2X8-14112-30	.VALVE, throttle 1	1	AP

FWD
56A110-5070

B9

FIG. 7 CARBURETOR

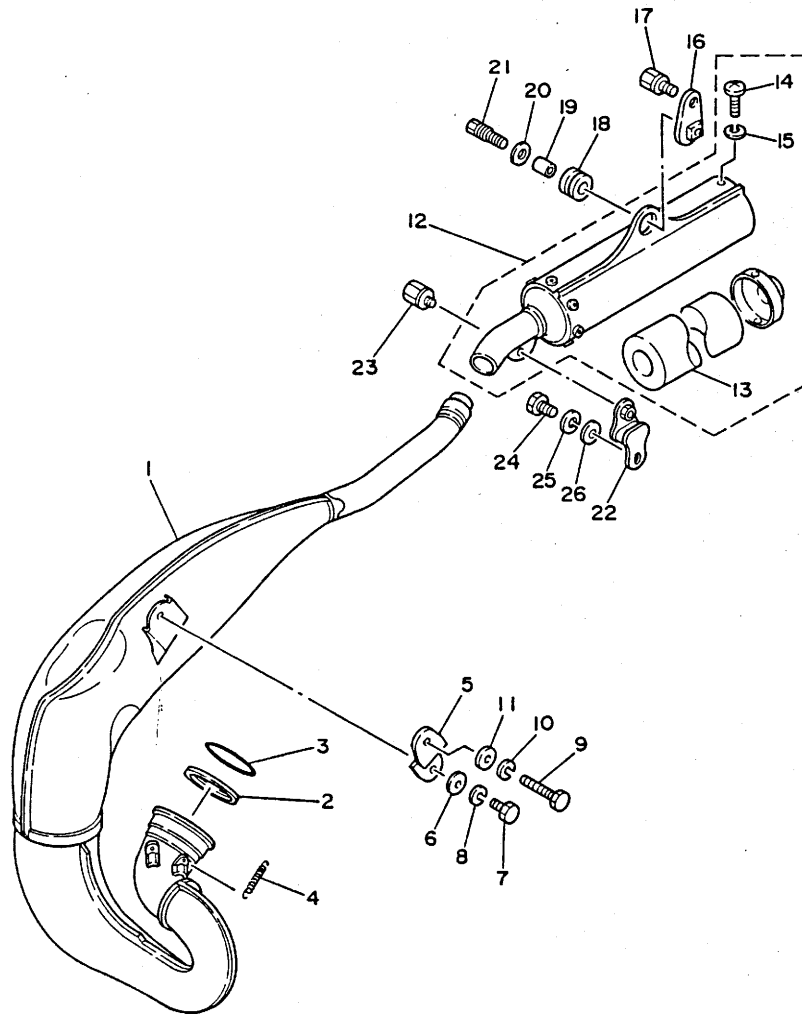
REF. NO.	PART NO.	DESCRIPTION	Q'TY	REMARKS
19	2X8-14112-40	.VALVE, throttle 1	1	AP
20	510-14115-00	.PLUG, screw	1	
21	558-14147-00	.O-RING	1	
22	24X-1410A-00	.STARTER SET	1	
23	5X5-14153-00	.WASHER, main jet	1	
24	3R4-14146-00	.PLATE	1	
25	509-14145-00	.SETTER, needle jet	1	



 56A110-5070

B10

FIG. 8 EXHAUST

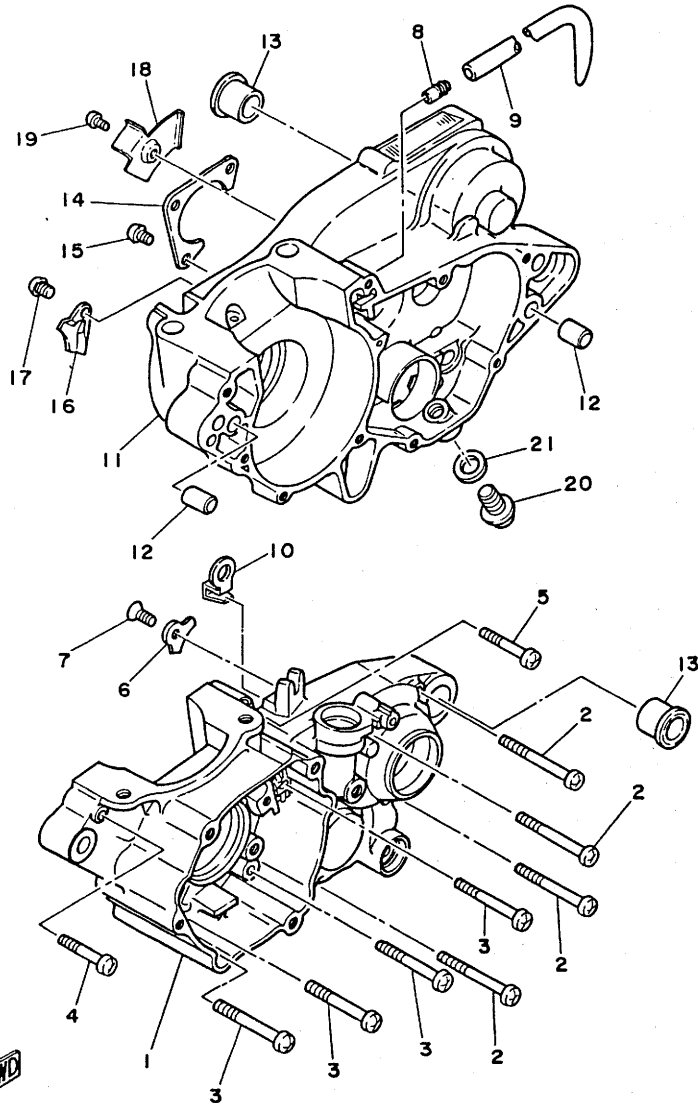


REF. NO.	PART NO.	DESCRIPTION	Q'TY	REMARKS
1	2HH-14610-00	EXHAUST PIPE ASSY 1	1	
2	3R4-14613-00	GASKET, exhaust pipe	1	
3	93210-56743	O-RING	1	
4	90507-20030	SPRING, tension	3	
5	24Y-14771-00	STAY, muffler 1	1	
6	90201-08730	WASHER, plate	1	
7	97313-08016	BOLT	1	
8	92990-08100	WASHER, spring	1	
9	97001-08060	BOLT	1	
10	92990-08100	WASHER, spring	1	
11	92901-08600	WASHER, plate	1	
12	2HH-14753-10	SILENCER, exhaust	1	UR
	2HH-14753-00	SILENCER, exhaust	1	UR FOR N.S.W.
13	2HH-1469A-10	.FIBER	1	UR
	2HH-1469A-00	.FIBER	1	UR FOR N.S.W.
14	92501-06010	.SCREW, pan head	2	
15	92990-06100	.WASHER, spring	2	
16	1LX-14744-00	BRACKET	1	
17	90109-08573	BOLT	1	
18	39X-14747-00	DAMPER, muffler	1	
19	90387-081A3	COLLAR	1	
20	90201-08612	WASHER, plate	1	
21	95821-08025	BOLT, flange	1	
22	565-14771-00	STAY, muffler 1	1	
23	90109-06551	BOLT	1	
24	97313-06016	BOLT	1	
25	92990-06100	WASHER, spring	1	
26	92901-06600	WASHER, plate	1	

2HH100-7080

B11

FIG. 9 CRANKCASE



REF. NO.	PART NO.	DESCRIPTION	Q'TY	REMARKS
1	5X5-15111-03	CRANKCASE 1	1	
2	91316-06060	BOLT	4	
3	91316-06055	BOLT	4	
4	91316-06045	BOLT	1	
5	91316-06040	BOLT	1	
6	56A-15383-00	PLATE, bearing cover	1	
7	92701-06012	SCREW, flat head	1	
8	137-13115-00	CONNECTOR, suction pipe	1	
9	90445-08605	HOSE	1	
10	23X-26393-00	HOLDER	1	
11	5X5-15121-01	CRANKCASE 2	1	
12	99510-12016	PIN, dowel	4	
13	90387-160H4	COLLAR	2	
14	23X-15381-00	PLATE, bearing cover	1	
15	92501-06012	SCREW, pan head	3	
16	3R4-15118-00	HOLDER	1	
17	92501-08010	SCREW, pan head	1	
18	5X5-15113-00	PLATE	1	
19	92501-06010	SCREW, pan head	1	
20	90340-12095	PLUG, straight screw	1	
21	90430-12038	GASKET	1	

FWD
5X5100-2102

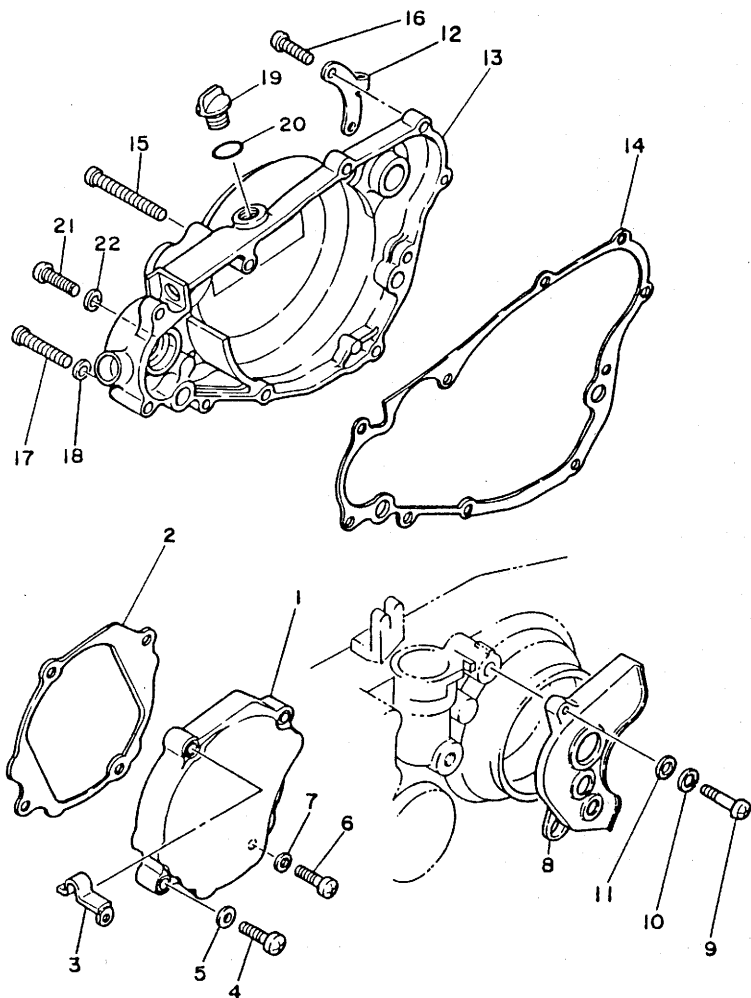


FIG. 10 CRANKCASE COVER 1

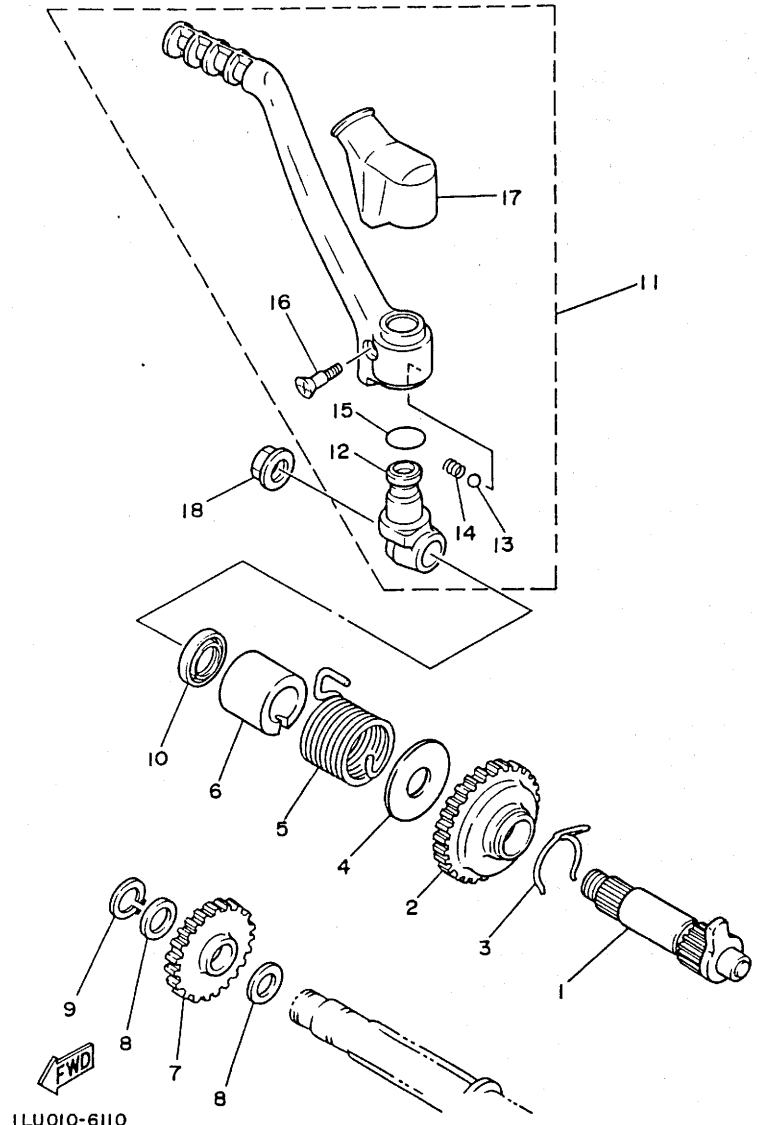
REF. NO.	PART NO.	DESCRIPTION	Q'TY	REMARKS
1	39X-15411-00	COVER, crankcase 1	1	
2	5X5-15451-00	GASKET, crankcase cover 1	1	
3	90465-06247	CLAMP	1	
4	92516-06030	SCREW, pan head	3	
5	92906-06600	WASHER, plate	3	
6	92506-06025	SCREW, pan head	1	
7	92906-06600	WASHER, plate	1	
8	23X-15421-00	COVER, crankcase 2	1	
9	92506-06025	SCREW, pan head	1	
10	92906-06100	WASHER, spring	1	
11	92906-06600	WASHER, plate	1	
12	56A-15378-00	HOLDER	1	
13	24Y-15431-00	COVER, crankcase 3	1	
14	5X5-15462-00	GASKET, crankcase cover 3	1	
15	92506-06065	SCREW, pan head	1	
16	92506-06025	SCREW, pan head	8	
17	92506-06040	SCREW, pan head	1	
18	92906-06600	WASHER, plate	1	
19	168-15362-00	PLUG, oil level	1	
20	93210-14104	O-RING	1	
21	92506-06008	SCREW, pan head	1	
22	90430-06016	GASKET	1	



ILU010-6100

FIG. 11 STARTER

REF. NO.	PART NO.	DESCRIPTION	Q'TY	REMARKS
1	56A-15661-00	AXLE, kick	1	
2	3R4-15641-00	GEAR, kick (26T)	1	
3	90468-26177	CLIP	1	
4	90201-20358	WASHER, plate	1	
5	90508-30422	SPRING, torsion	1	
6	3R4-15664-00	GUIDE, spring	1	
7	3R4-15651-00	GEAR, sprocket idle (21T)	1	
8	90201-17545	WASHER, plate	2	
9	99009-17400	CIRCLIP	1	
10	93102-20309	OIL SEAL	1	
11	1LU-15620-00	KICK CRANK ASSY	1	
12	24Y-15621-00	.BOSS, kick crank	1	
13	93501-04011	.BALL	1	
14	90501-13720	.SPRING, compression	1	
15	93210-19216	.O-RING	1	
16	90152-06010	.SCREW, countersunk	1	
17	24Y-15618-00	.COVER, kick lever	1	
18	90179-12244	NUT	1	



1LU010-6110

B14

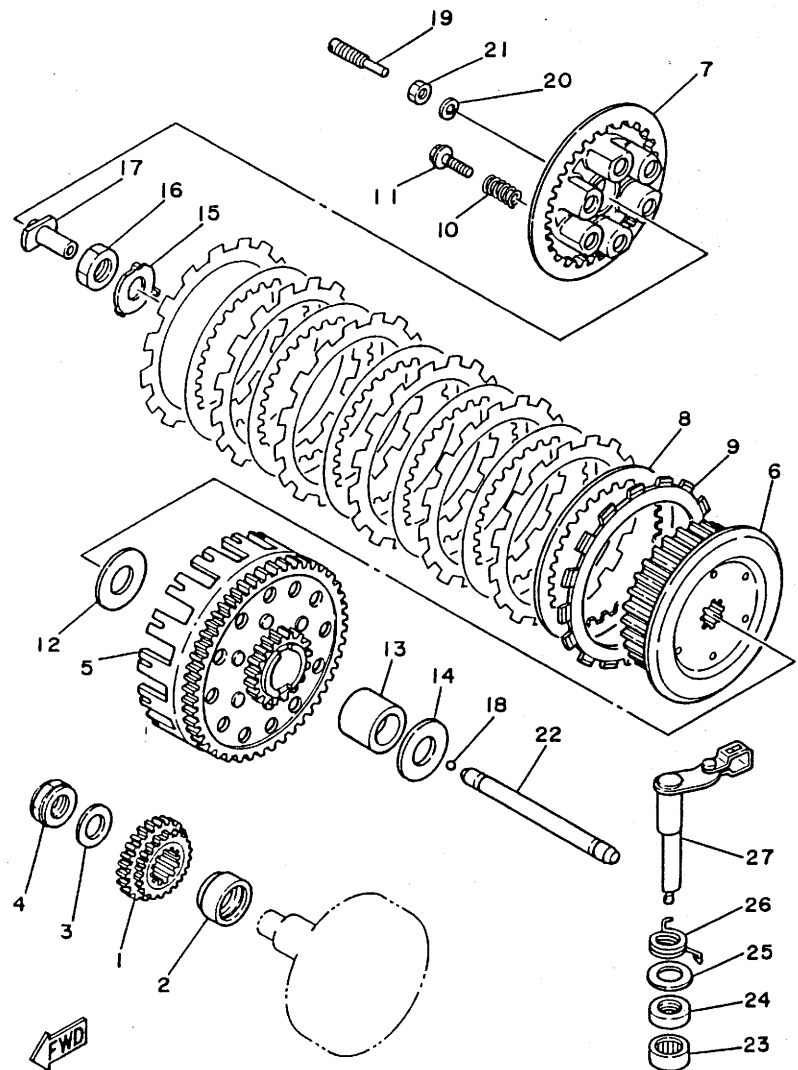


FIG. 12 CLUTCH

REF. NO.	PART NO.	DESCRIPTION	Q'TY	REMARKS
1	2HH-16110-00	PRIMARY DRIVE GEAR ASSY	1	
2	90387-252F6	COLLAR	1	
3	90201-186H3	WASHER, plate	1	
4	90185-18126	NUT, self-locking	1	
5	2HH-16150-00	PRIMARY DRIVEN GEAR COMP.	1	
6	23X-16371-00	BOSS, clutch	1	
7	23X-16351-00	PLATE, pressure 1	1	
8	4H7-16325-00	PLATE, clutch 2	6	
9	5X5-16321-00	PLATE, friction	7	
10	90501-23346	SPRING, compression	6	
11	90159-06016	SCREW, with washer	6	
12	2K7-16154-00	PLATE, thrust 1	1	
13	2K7-16181-00	SPACER 1	1	
14	2K7-16154-00	PLATE, thrust 1	1	
15	90215-20212	WASHER, lock	1	
16	90170-20255	NUT	1	
17	23X-16356-00	ROD, push 1	1	
18	93515-32029	BALL	1	
19	90149-06178	SCREW	1	
20	92990-06100	WASHER, spring	1	
21	95303-06600	NUT	1	
22	2K7-16357-01	ROD, push 2	1	
23	93315-21721	BEARING, cylindrical	1	
24	93102-17263	OIL SEAL	1	
25	90201-17327	WASHER, plate	1	
26	90508-14423	SPRING, torsion	1	
27	1LU-16380-00	PUSH LEVER ASSY	1	

ILU010-6120

B15

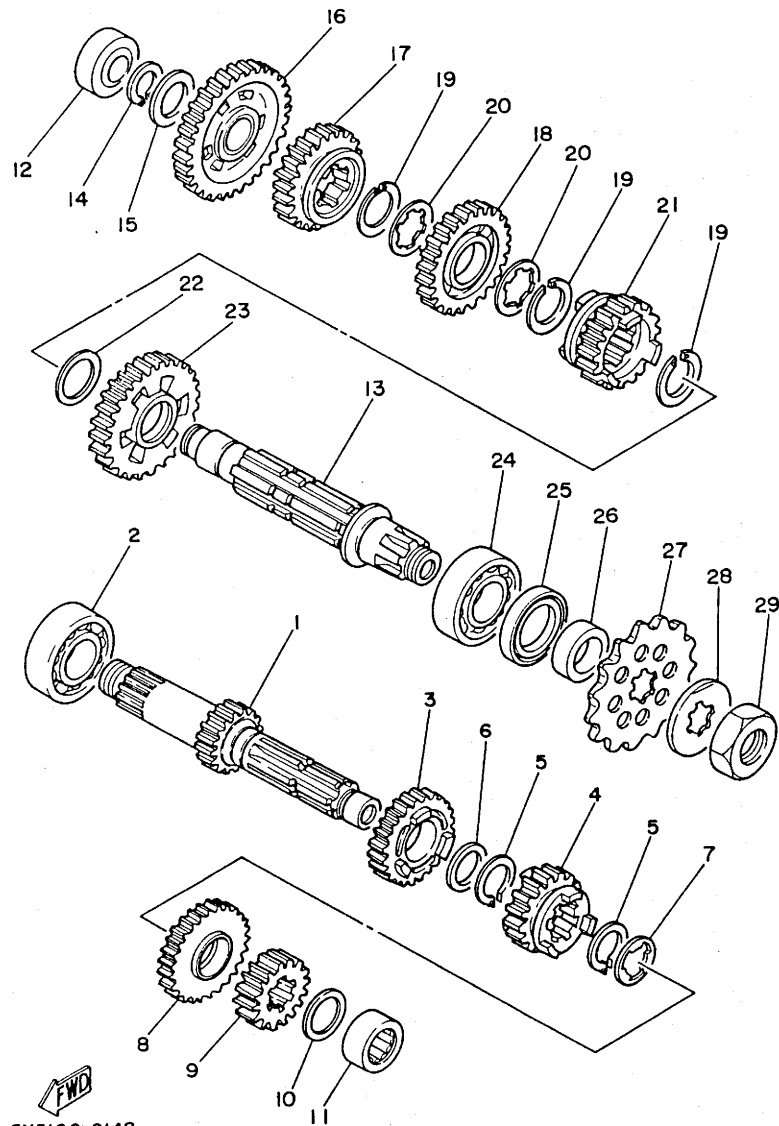
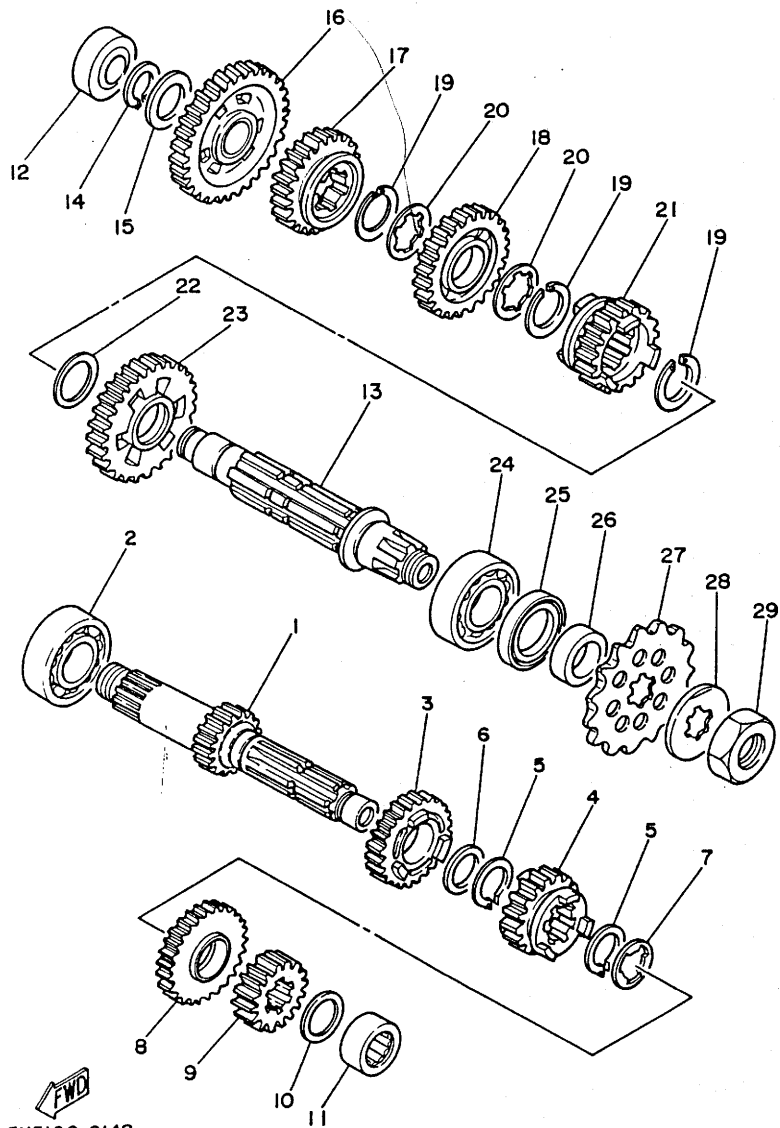


FIG. 13 TRANSMISSION

REF. NO.	PART NO.	DESCRIPTION	Q'TY	REMARKS
1	24Y-17411-00	AXLE, main (14T)	1	
2	93300-20501	BEARING (TM205C3)	1	
3	2HH-17141-00	GEAR, 4th pinion	1	
4	2HH-17131-00	GEAR, 3rd pinion	1	
5	93410-22039	CIRCLIP	2	
6	90201-22555	WASHER, plate	1	
7	90209-18135	WASHER	1	
8	39X-17151-00	GEAR, 5th pinion (22T)	1	
9	24Y-17121-00	GEAR, 2nd pinion (16T)	1	
10	90209-17235	WASHER	1	
11	93311-41734	BEARING, cylindrical	1	
12	93311-62035	BEARING, cylindrical	1	
13	5X5-17421-00	AXLE, drive	1	
14	93410-20038	CIRCLIP	1	
15	90201-20278	WASHER, plate	1	
16	24Y-17211-00	GEAR, 1st wheel (30T)	1	
17	2HH-17241-00	GEAR, 4th wheel	1	
18	5X5-17231-01	GEAR, 3rd wheel	1	
19	93440-25084	CIRCLIP	3	
20	90209-22082	WASHER	2	
21	39X-17251-00	GEAR, 5th wheel (22T)	1	
22	90201-253K0	WASHER, plate	1	
23	24Y-17221-01	GEAR, 2nd wheel	1	
24	93300-20501	BEARING (TM205C3)	1	
25	93102-32M07	OIL SEAL	1	
26	90387-25663	COLLAR	1	
27	3Y1-17461-40	SPROCKET, drive (14T)	1	STD
	23X-17461-30	SPROCKET, drive (13T)	1	AP

FIG. 13 TRANSMISSION

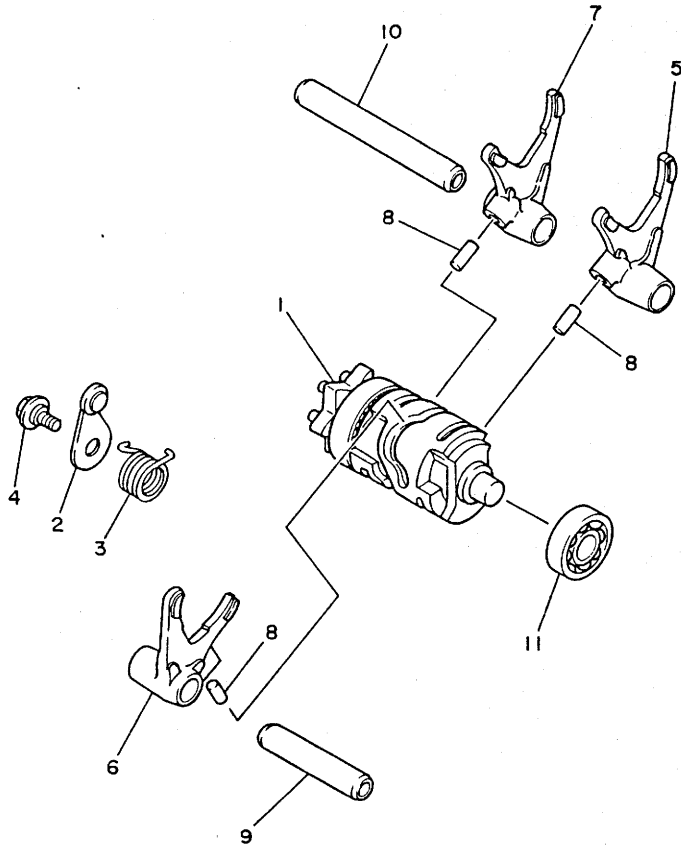
REF. NO.	PART NO.	DESCRIPTION	Q'TY	REMARKS
27	3Y1-17461-50	SPROCKET, drive (15T)	1	AP
28	90215-21239	WASHER, lock	1	
29	90179-20255	NUT	1	



5X5100-2142

FIG. 14 SHIFT CAM. FORK

REF. NO.	PART NO.	DESCRIPTION	Q'TY	REMARKS
1	24Y-18540-00	SHIFT CAM ASSY	1	
2	3R4-18140-00	STOPPER LEVER ASSY	1	
3	90508-26608	SPRING, torsion	1	
4	50W-21631-00	BOLT 1	1	
5	5X5-18511-00	FORK, shift 1	1	
6	4V3-18512-00	FORK, shift 2	1	
7	5X5-18513-00	FORK, shift 3	1	
8	93606-14154	PIN, dowel	3	
9	5X5-18531-01	BAR, shift fork guide 1	1	
10	5X5-18535-01	BAR, shift fork guide 2	1	
11	93306-00106	BEARING	1	

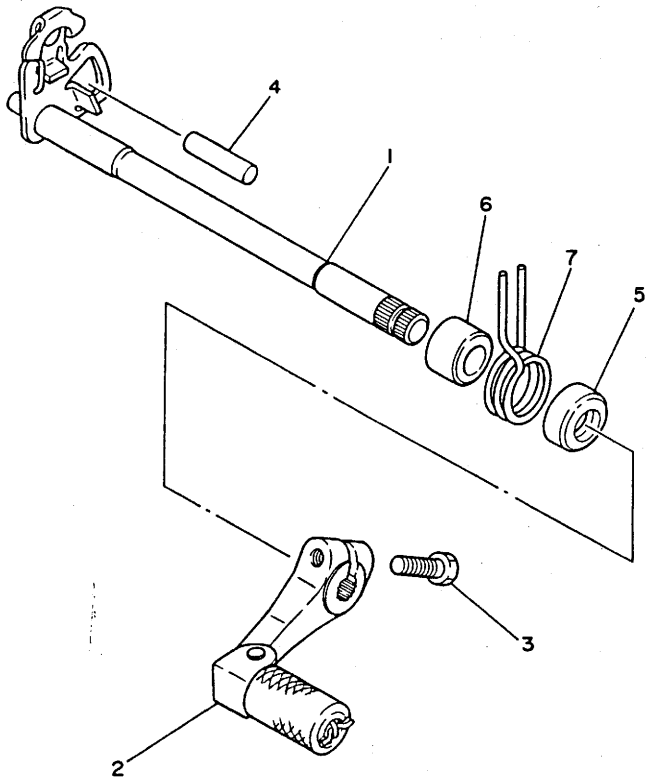


24Y100-3150

C4

FIG. 15 SHIFTER

REF. NO.	PART NO.	DESCRIPTION	Q'TY	REMARKS
1	23X-18101-00	SHIFT SHAFT ASSY	1	
2	23X-18110-01	SHIFT PEDAL ASSY	1	
3	97311-06025	BOLT	1	
4	93608-25150	PIN, dowel	1	
5	93102-12106	OIL SEAL	1	
6	90560-12171	SPACER	1	
7	90508-29361	SPRING, torsion	1	

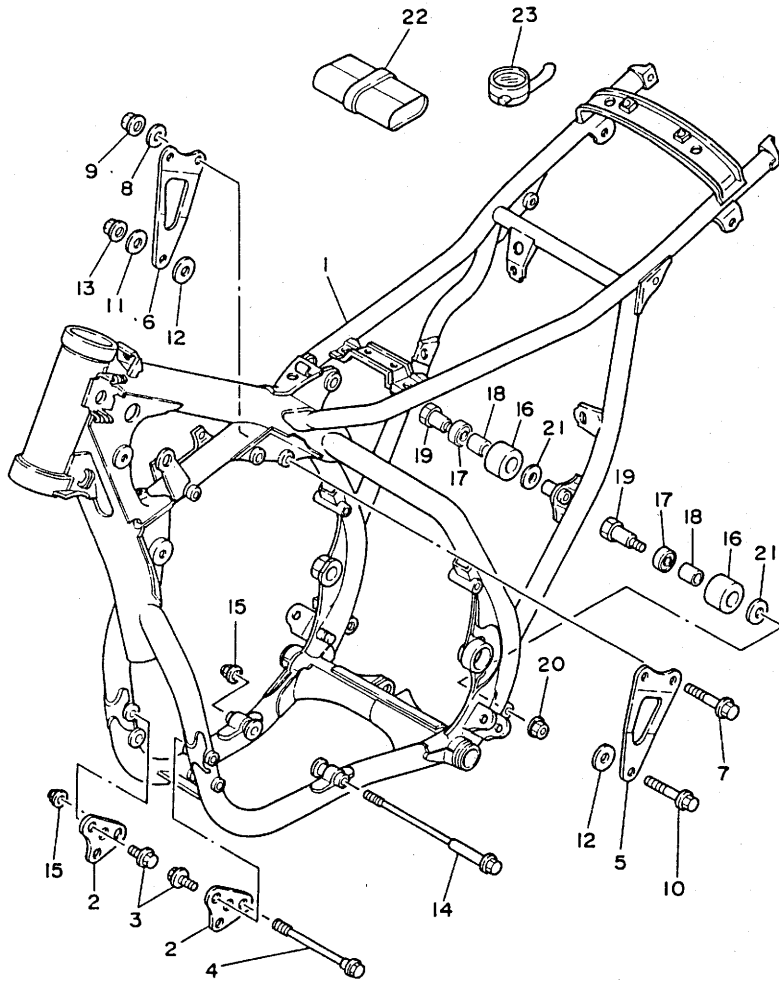


24Y100-3160

C5

FIG. 16 FRAME

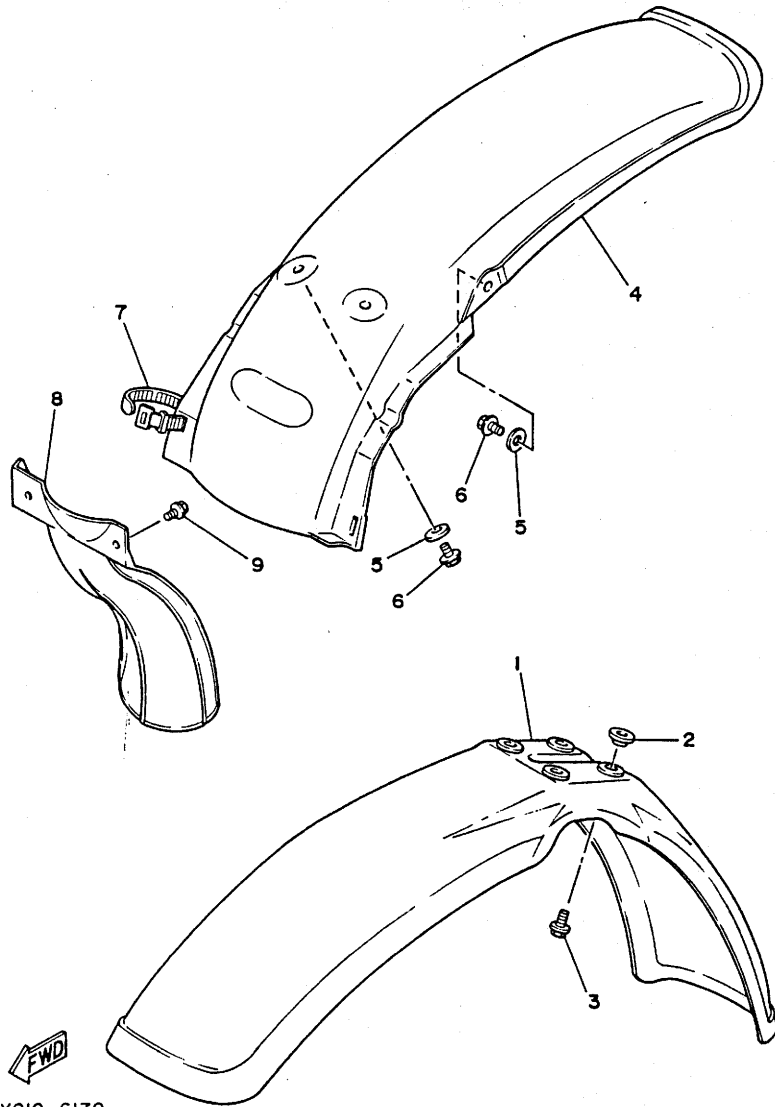
REF. NO.	PART NO.	DESCRIPTION	Q'TY	REMARKS
1	2HH-21110-00-UJ	FRAME COMP.	1	RADICAL WHITE
2	24Y-21415-00	BRACKET, front upper 1	2	
3	95821-08020	BOLT, flange	4	
4	90105-08214	BOLT, washer based	1	
5	1LU-21425-00	BRACKET, rear upper 1	1	
6	1LU-21426-00	BRACKET, rear upper 2	1	
7	95811-08055	BOLT, flange	2	
8	90202-08022	WASHER, plate	2	
9	90185-08113	NUT, self-locking	2	
10	95811-10055	BOLT, flange	1	
11	92901-10200	WASHER, plain	1	
12	90201-101J1	WASHER, plate	2	
13	90179-10280	NUT	1	
14	90105-08449	BOLT, washer based	1	
15	90185-08113	NUT, self-locking	2	
16	2HH-22178-00	TENSIONER	2	
17	93300-60816	BEARING	2	
18	90387-086N4	COLLAR	2	
19	95021-08045	BOLT, flange	2	
20	90185-08106	NUT, self-locking	1	
21	90201-081A6	WASHER, plate	2	
22	1LU-28100-00	TOOL KIT	1	
23	2X4-2811A-00	GAUGE, air	1	



2HH100-7160

FIG. 17 FENDER

REF. NO.	PART NO.	DESCRIPTION	Q'TY	REMARKS
1	5X6-21511-10	FENDER, front	1	WHITE
2	90387-06681	COLLAR	4	
3	90119-06063	BOLT, with washer	4	
4	1LX-21611-00	FENDER, rear	1	WHITE
5	90201-06571	WASHER, plate	4	
6	90105-06138	BOLT, washer based	4	
7	437-83936-00	BAND, switch cord	1	
8	39X-21642-00	GUARD, flap	1	
9	90119-06117	BOLT, with washer	2	



1LX010-6170

C7

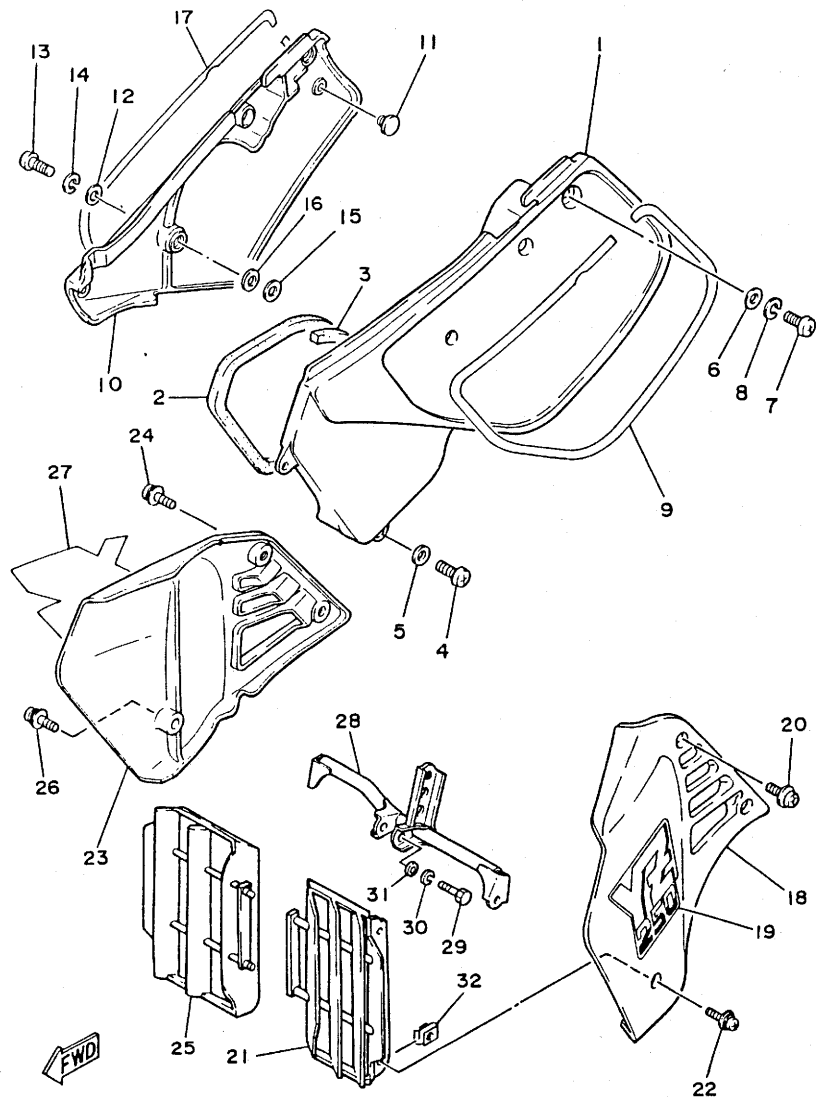


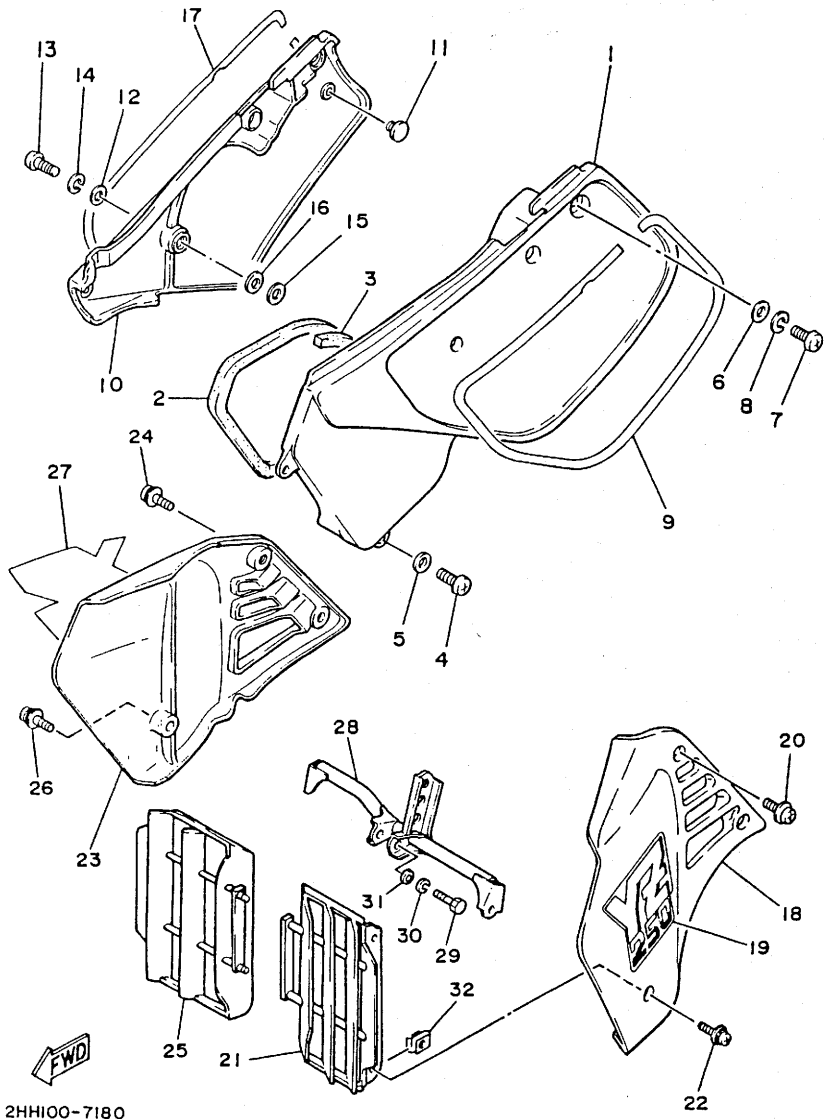
FIG. 18 SIDE COVER

REF. NO.	PART NO.	DESCRIPTION	Q'TY	REMARKS
1	1LX-21711-01-98	COVER, side 1	1	LOW GLOSS BLACK
2	1LX-14452-00	SEAL	1	
3	39X-14452-00	SEAL	1	
4	92506-06016	SCREW, pan head	3	
5	92906-06600	WASHER, plate	3	
6	90201-06571	WASHER, plate	1	
7	92501-06014	SCREW, pan head	1	
8	92990-06100	WASHER, spring	1	
9	2HH-2173L-00	GRAPHIC SET 1	1	
10	1LX-21721-00	COVER, side 2	1	WHITE
11	22W-24181-00	DAMPER, locating 1	2	
12	90201-06571	WASHER, plate	2	
13	92501-06014	SCREW, pan head	2	
14	92990-06100	WASHER, spring	2	
15	90201-063A5	WASHER, plate	1	
16	92901-08200	WASHER, plain	2	
17	2HH-2174L-00	GRAPHIC SET 2	1	
18	2HH-21731-00	COVER, side 3	1	
19	2HH-24254-00	GRAPHIC, fuel tank 7	1	
20	90159-06013	SCREW, with washer	2	
21	24Y-2172A-00	PANEL 1	1	
22	90159-05100	SCREW, with washer	2	
23	2HH-21741-00	COVER, side 4	1	
24	90159-06013	SCREW, with washer	2	
25	24Y-2172A-00	PANEL 1	1	
26	90159-05100	SCREW, with washer	2	
27	2HH-24254-00	GRAPHIC, fuel tank 7	1	
28	2HH-2174F-00	GUARD, radiator	1	

2HH100-7180

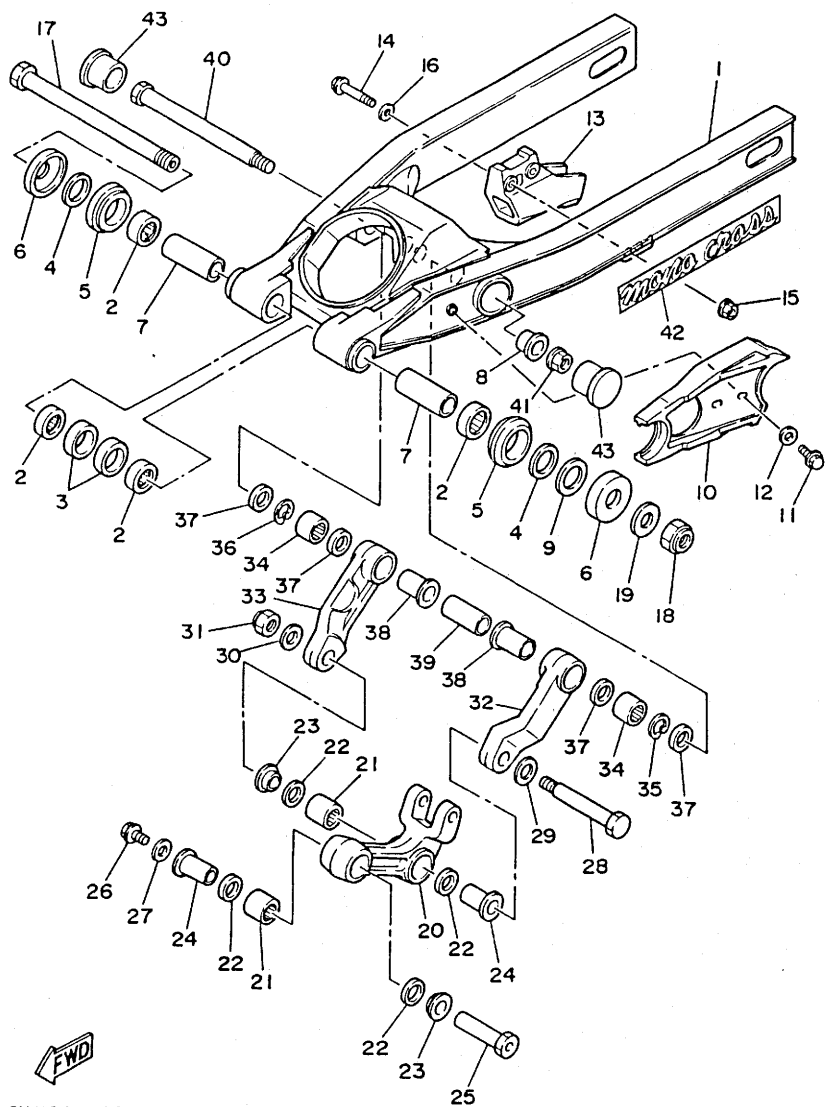
FIG. 18 SIDE COVER

REF. NO.	PART NO.	DESCRIPTION	Q'TY	REMARKS
29	97001-08050	BOLT	1	
30	92990-08100	WASHER, spring	1	
31	92901-08600	WASHER, plate	1	
32	22W-21791-00	NUT	4	



2HH100-7180

C9



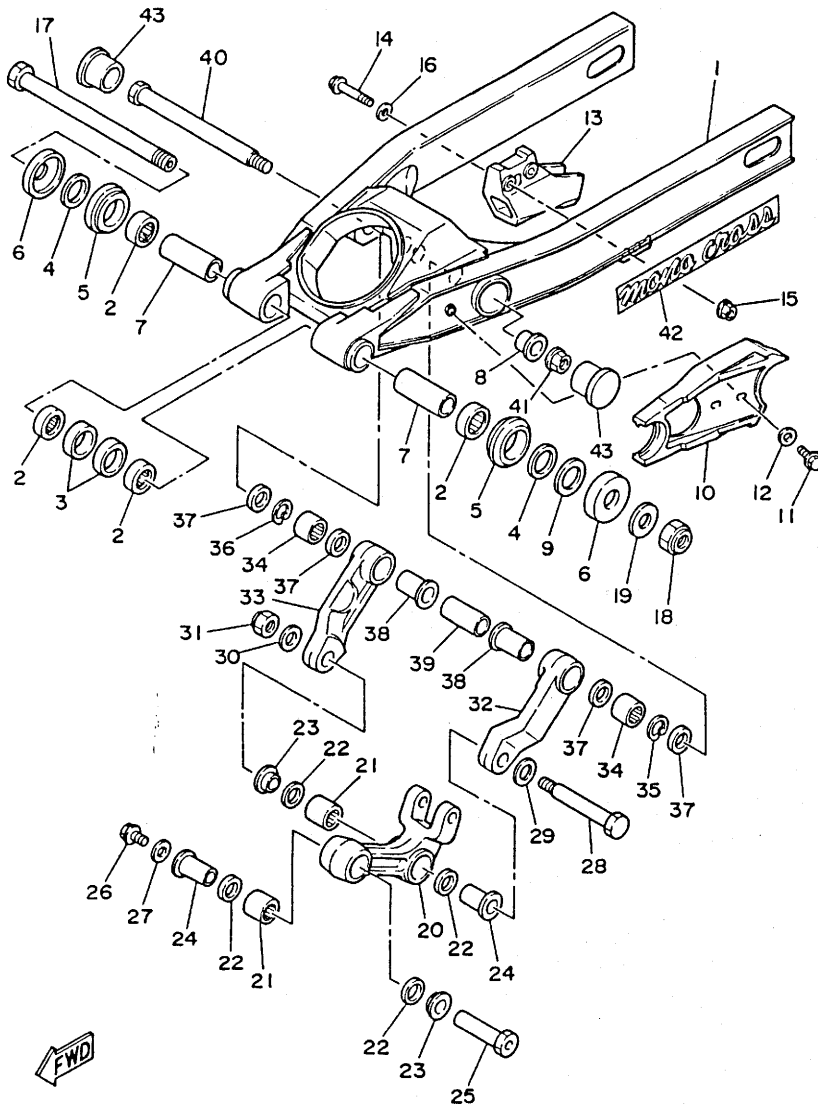
2HJ100-7160

FIG. 19 REAR ARM

REF. NO.	PART NO.	DESCRIPTION	Q'TY	REMARKS
1	1LV-22110-01	REAR ARM COMP.	1	
2	93317-32231	BEARING, cylindrical	4	
3	93106-22019	OIL SEAL	2	
4	93342-22208	BEARING	2	
5	93108-35004	OIL SEAL	2	
6	3R4-22129-00	COVER, thrust 2	2	
7	90380-16158	BUSH, solid	2	
8	90381-16060	BUSH, solid	1	
9	156-22127-00	SHIM (0.3T)	1	UN
10	1LX-22151-00	SEAL, guard	1	
11	98001-06020	BOLT	2	
12	90201-06067	WASHER, plate	2	
13	39W-22199-01	SUPPORT, chain	1	
14	95802-08045	BOLT, flange	2	
15	90185-08106	NUT, self-locking	2	
16	92901-08200	WASHER, plain	2	
17	1LX-22141-00	SHAFT, pivot	1	
18	90185-16127	NUT, self-locking	1	
19	90201-164H4	WASHER, plate	1	
20	1LX-2217A-00	ARM, relay	1	
21	93315-22046	BEARING, cylindrical	2	
22	93109-20029	OIL SEAL	4	
23	90387-164N2	COLLAR	2	
24	90387-164N3	COLLAR	2	
25	90402-10005	NUT, union	1	
26	95811-10016	BOLT, flange	1	
27	90201-106F2	WASHER, plate	1	
28	90101-14648	BOLT	1	

FIG. 19 REAR ARM

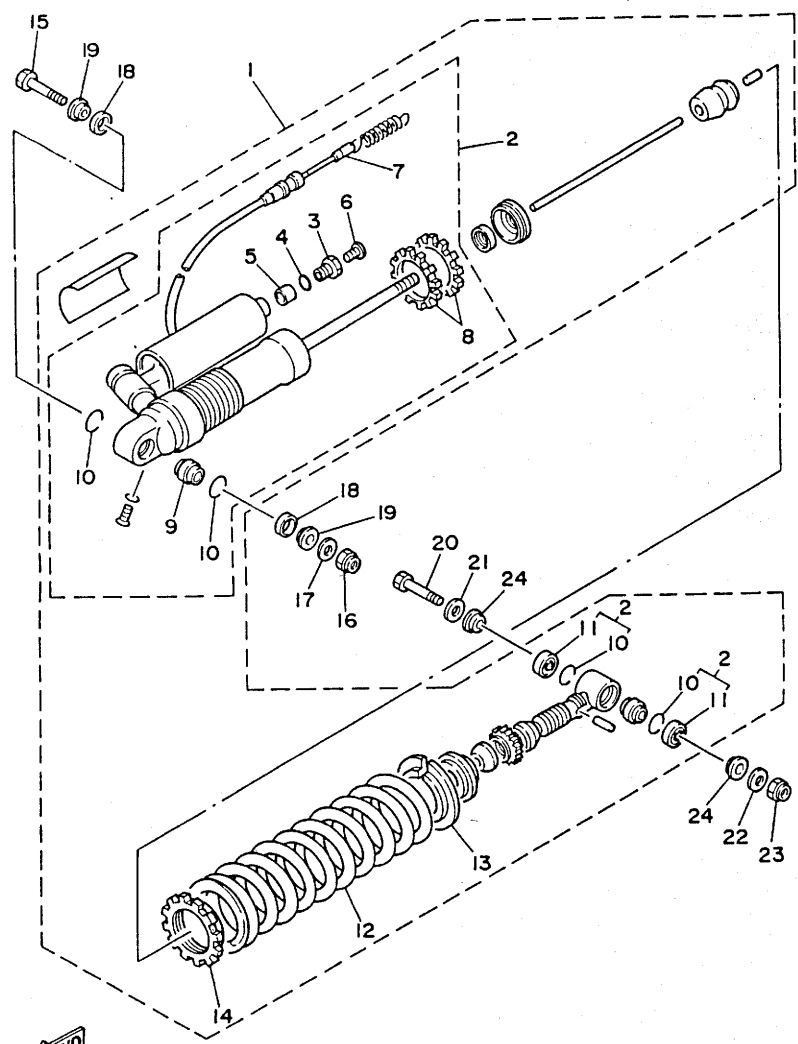
REF. NO.	PART NO.	DESCRIPTION	Q'TY	REMARKS
29	90201-164H4	WASHER, plate	1	
30	90201-14740	WASHER, plate	1	
31	90185-14112	NUT, self-locking	1	
32	1LX-2217F-00	ROD, connecting 1	1	
33	1LX-2217G-00	ROD, connecting 2	1	
34	93315-22045	BEARING (YT202720E01)	2	IKO
35	93450-28063	CIRCLIP	1	
36	93450-28063	CIRCLIP	1	
37	93109-20029	OIL SEAL	4	
38	90387-164N3	COLLAR	2	
39	90387-164N1	COLLAR	1	
40	90123-14104	BOLT	1	
41	90185-14096	NUT, self-locking	1	
42	2HH-2218A-00	EMBLEM, rear arm	2	
43	1HX-2135F-00	COVER	2	



2HJ100-7160

FIG. 20 REAR SUSPENSION SEAL KIT INT. 56A-W222A-02

REF. NO.	PART NO.	DESCRIPTION	Q'TY	REMARKS
1	2HH-22210-00-6W	SHOCK ABSORBER ASSY, rear	1	NATIVE RED
2	2HH-22201-00	.DAMPER SUB ASSY	1	
3	39W-22417-00	..PLUG	1	
4	93210-08483	..O-RING	1	
5	483-22419-01	..VALVE, rubber	1	
6	98501-04006	..SCREW, pan head	1	
7	1LV-22463-00	..CABLE, control 1	1	
8	1LX-22225-00	..RING, hold	2	
9	93399-99916	..BEARING	2	
10	93440-30113	..CIRCLIP	4	
11	93104-18077	..OIL SEAL	2	
12	1LV-22212-10-6W	.SPRING (K=5.25)	1	NATIVE RED
13	5X6-22214-00	.GUIDE, spring 1	2	
14	1LX-22223-00	.SEAT, spring lower	1	
15	90109-10704	BOLT	1	
16	90185-10120	NUT, self-locking	1	
17	90201-100F7	WASHER, plate	1	
18	23X-22211-00	COVER	2	
19	90387-127G8	COLLAR	2	
20	90109-10700	BOLT	1	
21	90201-120E6	WASHER, plate	1	
22	90201-100E9	WASHER, plate	1	
23	90185-10120	NUT, self-locking	1	
24	90387-126H8	COLLAR	2	

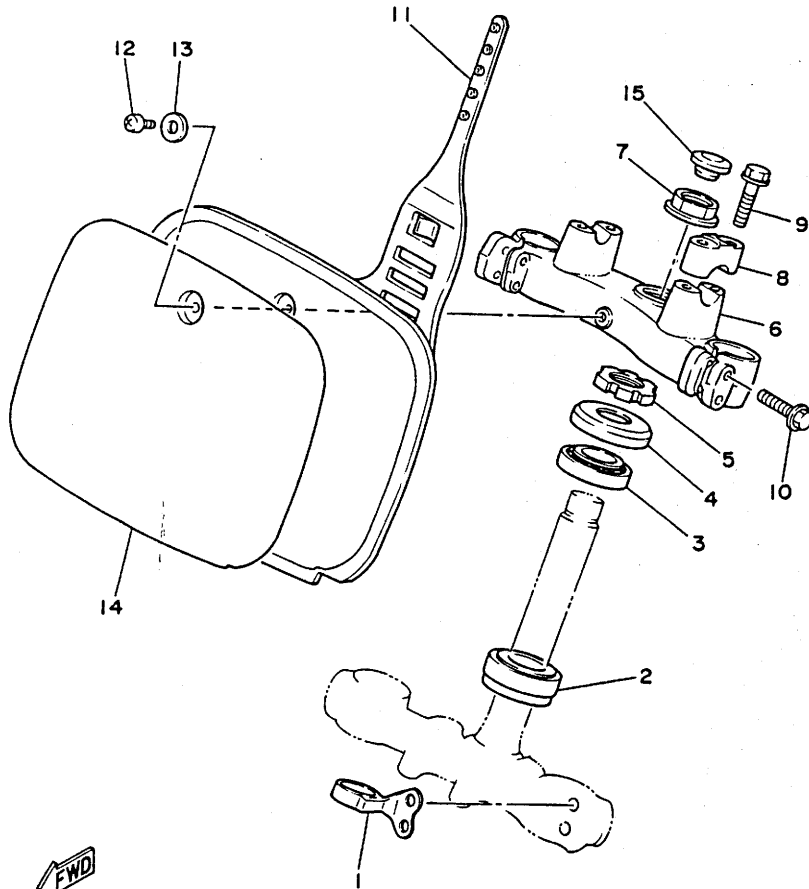


2HH100-7200

C12

FIG. 21 STEERING

REF. NO.	PART NO.	DESCRIPTION	Q'TY	REMARKS
1	3R4-23389-00	GUIDE, cable	1	
2	93332-00008	BEARING	1	
3	93332-00023	BEARING	1	
4	1W1-23416-00	COVER, ball race 2	1	
5	90179-25033	NUT	1	
6	39W-23435-01-98	CROWN, handle	1	LOW GLOSS BLACK
7	90179-22330	NUT	1	
8	1E6-23441-00	HOLDER, handle upper	2	
9	95821-08035	BOLT, flange	4	
10	90105-08091	BOLT, washer based	4	
11	5X6-23485-11	PLATE, number	1	CLEAN WHITE
12	92501-06012	SCREW, pan head	1	
13	90201-06571	WASHER, plate	1	
14	1LX-23395-00	EMBLEM	1	
15	34K-2319U-00	CAP	1	

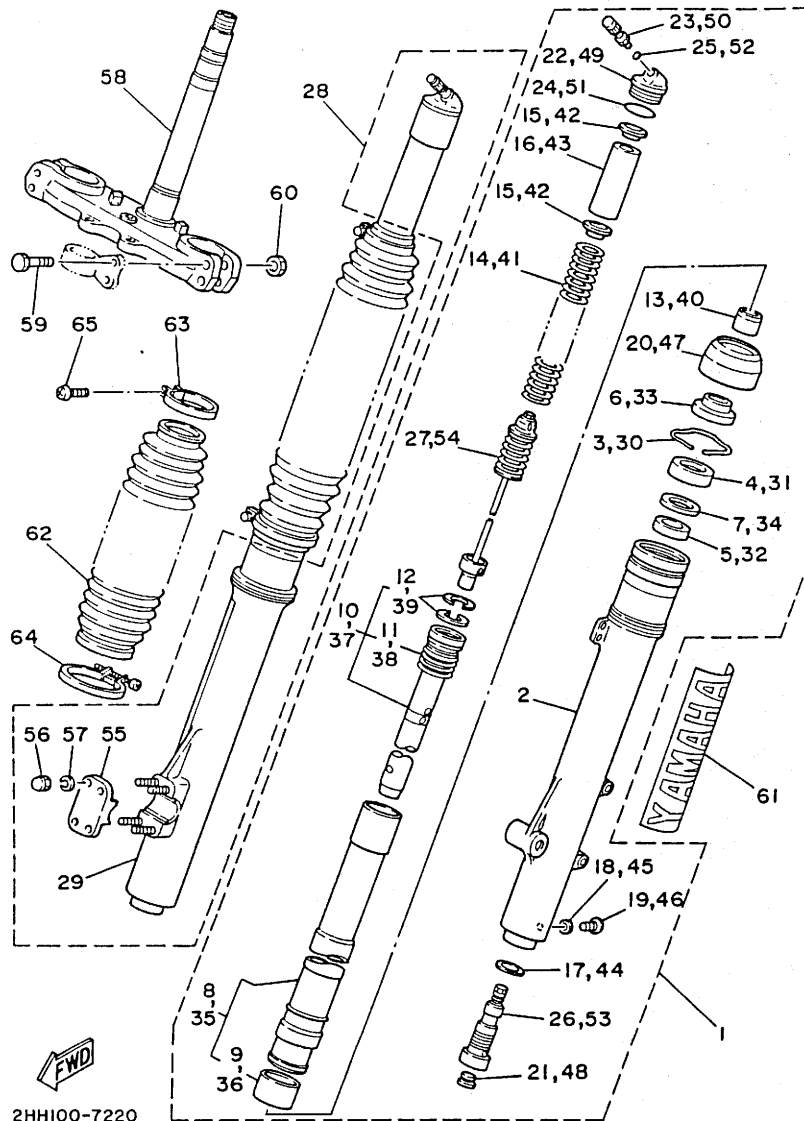


ILX010-6210

C13

FIG. 22 FRONT FORK

* M/c 87032 - 1/2

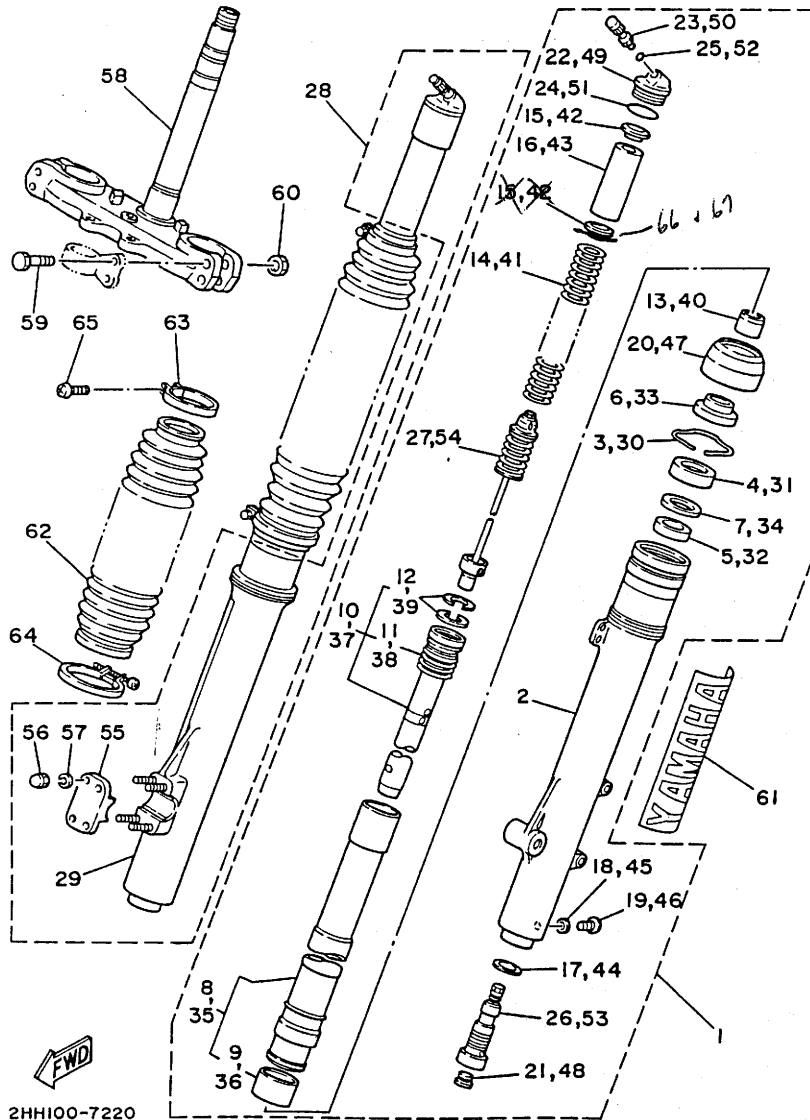


2HH100-7220

REF. NO.	PART NO.	DESCRIPTION	Q'TY	REMARKS
1	2HH-23102-LO	FRONT FORK ASSY (L.H)	1	
2	2HH-23126-LO	.TUBE, outer 1	1	
3	4V4-23153-LO	.RING, snap	1	
4	23X-23145-LO	.OIL SEAL	1	
5	4V4-23125-LO	.METAL, slide 1	1	
6	23X-23144-LO	.SEAL, dust	1	
7	4V4-23146-LO	.WASHER, oil seal	1	
8	2HH-23110-LO	.INNER TUBE COMP.1	1	
9	4V4-23171-LO	..PISTON, front fork	1	
10	2HH-23170-LO	.CYLINDER COMP., front fork	1	
11	2HH-23151-LO	..SPRING, sub	1	
12	4V4-23157-LO	..RING, piston	2	
13	2HH-23173-LO	.SPINDLE, taper	1	
14	2HH-23141-LO	.SPRING, front fork (k=0.375)	1	
15	4V4-23142-LO	.SEAT, spring upper	2	1 *
16	2HH-23118-LO	.SPACER (L=57)	1	
17	2HH-23158-LO	.GASKET	1	
18	122-23129-00	.GASKET, drain plug	1	
19	4H7-23119-00	.PLUG, drain	1	
20	23X-23144-LO	.SEAL, dust	1	*
21	55Y-23126-MO	.PLUG	1	
22	43M-23111-LO	.BOLT, cap	1	
23	23X-23190-LO	.AIR VALVE COMP.	1	
24	4V4-23188-LO	.O-RING	1	
25	3J2-23147-00	.O-RING	1	
26	2HH-2316A-LO	.VALVE COMP.	1	
27	2HH-2318R-00	.ADJUSTER	1	
28	2HH-23103-LO	FRONT FORK ASSY (R.H)	1	

C14

FIG. 22 FRONT FORK

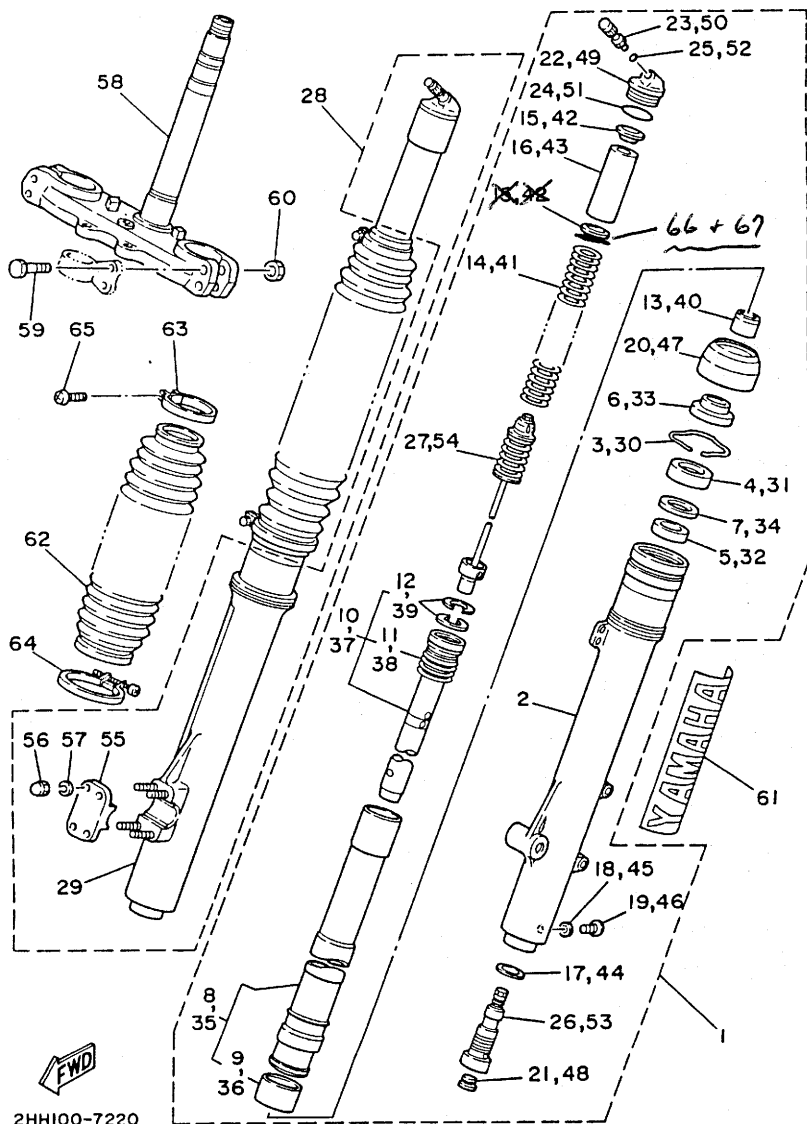


2HH100-7220

REF. NO.	PART NO.	DESCRIPTION	Q'TY	REMARKS
29	2HH-23136-L0	.TUBE, outer 2	1	
30	4V4-23153-L0	.RING, snap	1	
31	23X-23145-L0	.OIL SEAL	1	
32	4V4-23125-L0	.METAL, slide 1	1	
33	23X-23144-L0	.SEAL, dust	1	
34	4V4-23146-L0	.WASHER, oil seal	1	
35	2HH-23110-L0	.INNER TUBE COMP.1	1	
36	4V4-23171-L0	..PISTON, front fork	1	
37	2HH-23170-L0	.CYLINDER COMP., front fork	1	
38	2HH-23151-L0	..SPRING, sub	1	
39	4V4-23157-L0	..RING, piston	2	
40	2HH-23173-L0	.SPINDLE, taper	1	
41	2HH-23141-L0	.SPRING, front fork (K=0.375)	1	
42	4V4-23142-L0	.SEAT, spring upper	1	21 *
43	2HH-23118-L0	.SPACER (L=57)	1	
44	2HH-23158-L0	.GASKET	1	
45	122-23129-00	.GASKET, drain plug	1	
46	4H7-23119-00	.PLUG, drain	1	
47	1LX-23144-L0	.SEAL, dust	1	
48	55Y-23126-M0	.PLUG	1	
49	43M-23111-L0	.BOLT, cap	1	
50	23X-23190-L0	.AIR VALVE COMP.	1	
51	4V4-23188-L0	.O-RING	1	
52	3J2-23147-00	.O-RING	1	
53	2HH-2316A-L0	.VALVE COMP.	1	
54	2HH-2318R-00	.ADJUSTER	1	
55	1LX-23167-L0	.HOLDER, axle	1	
56	5Y3-23393-00	.NUT, special	4	

C15

FIG. 22 FRONT FORK

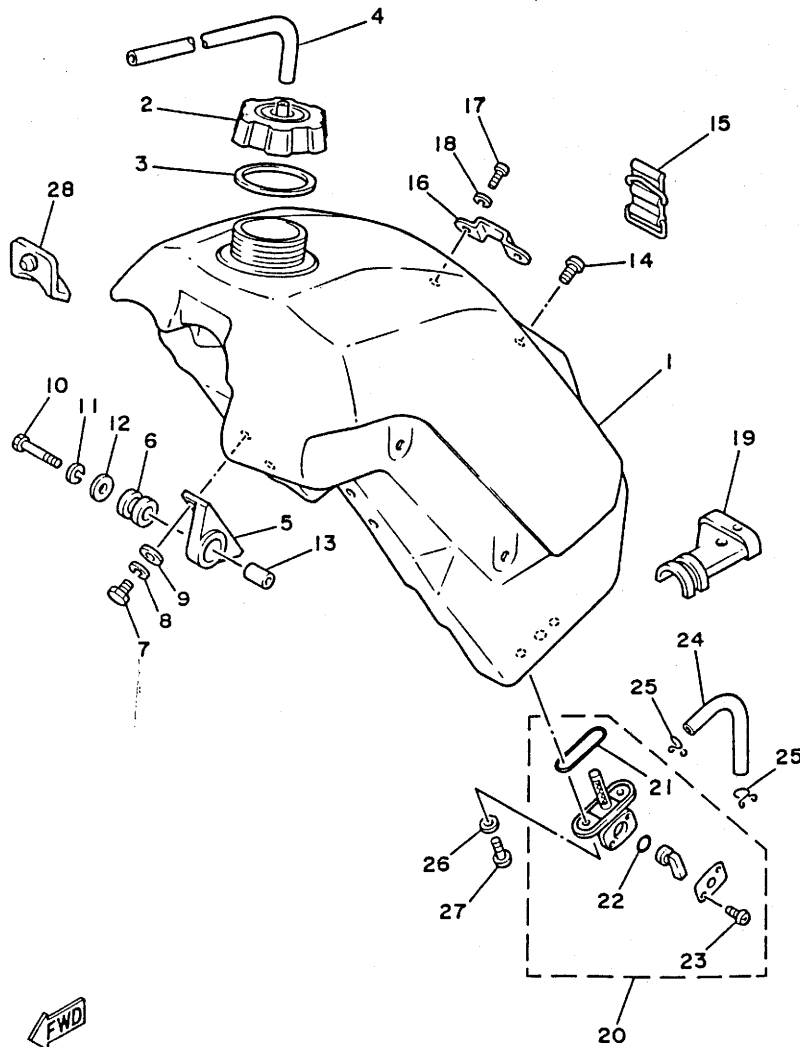


2HH100-7220

REF. NO.	PART NO.	DESCRIPTION	Q'TY	REMARKS
57	92990-06100	.WASHER, spring	4	
58	2HH-23340-L0 <i>90105-08463</i>	UNDER BRACKET COMP.	1	
59	95821-08055	BOLT, flange	4	*
60	95701-08500	NUT, flange	4	
61	1LX-23108-00	EMBLEM	2	
62	43M-23191-L0	BOOT	2	RED
63	43M-23192-L0	BAND	2	
64	43M-23489-L0	BAND	2	
65	98506-04018	SCREW, pan head	2	
66	<i>90201-14340</i>	<i>. WASHER</i>	<i>1</i>	
67	<i>90201-14340</i>	<i>"</i>	<i>1</i>	

D2

FIG. 23 FUEL TANK

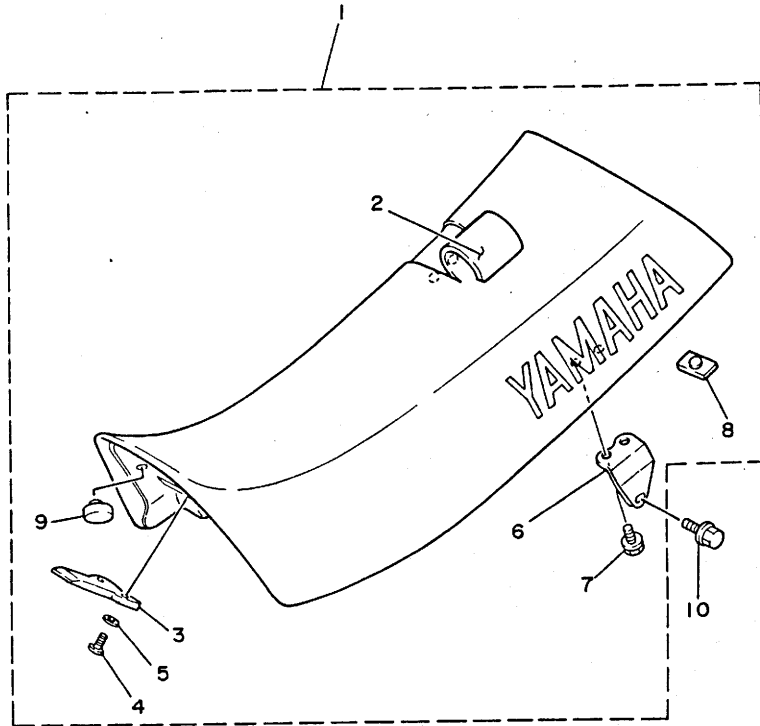


ILU010-6230

REF. NO.	PART NO.	DESCRIPTION	Q'TY	REMARKS
1	1LU-24110-00	FUEL TANK COMP.	1	WHITE
2	5X7-24611-01	BODY, cap	1	
3	5X7-24612-00	GASKET, cap	1	
4	90445-09100	HOSE	1	
5	24X-24144-00	HOLDER, damper	2	
6	90480-18354	GROMMET	2	
7	97313-06016	BOLT	4	
8	92990-06100	WASHER, spring	4	
9	92901-06600	WASHER, plate	4	
10	97313-06035	BOLT	2	
11	92990-06100	WASHER, spring	2	
12	90201-06070	WASHER, plate	2	
13	90387-06387	COLLAR	2	
14	98980-06020	SCREW, bind	1	
15	59V-24173-00	BAND, tank fitting 1	1	
16	5X6-2412F-00	BRACKET, seat	1	
17	92501-06012	SCREW, pan head	2	
18	92990-06100	WASHER, spring	2	
19	1LX-24181-00	DAMPER, locating 1	1	
20	1LU-24500-00	FUEL COCK ASSY 1	1	
21	4X8-24512-00	.GASKET	1	
22	4X8-24534-00	.SEAL, cock	1	
23	97801-03008	.SCREW, pan head	2	
24	90445-11587	HOSE	1	
25	90467-10008	CLIP	2	
26	90202-06010	WASHER, plate	2	
27	90149-06011	SCREW	2	
28	23X-24184-00	DAMPER, locating 4	1	

D3

FIG. 24 SEAT



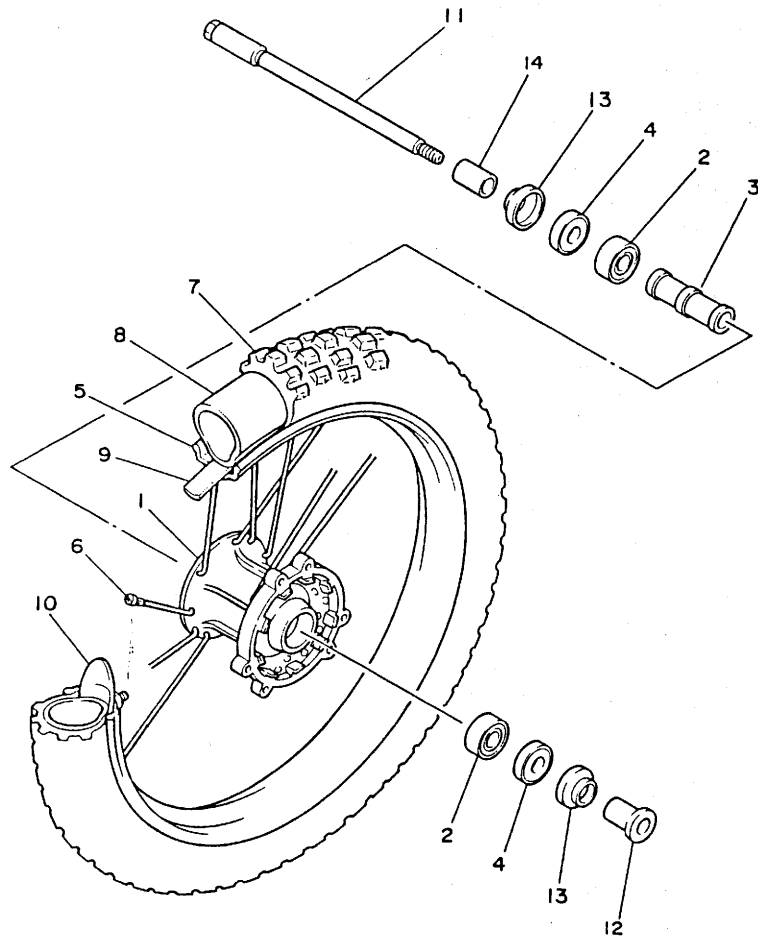
REF. NO.	PART NO.	DESCRIPTION	Q'TY	REMARKS
1	1LX-24770-00	SEMI-DOUBLE SEAT ASSY	1	CHAPPY RED
2	1LX-24731-00	.COVER, seat	1	CHAPPY RED
3	5X6-24748-10	.BRACKET, seat	1	
4	92501-06012	.SCREW, pan head	2	
5	92901-06600	.WASHER, plate	2	
6	1LX-24738-01	.BRACKET, seat	2	
7	95801-06012	.BOLT, flange	4	
8	509-24724-00	.DAMPER, seat	1	
9	107-24741-00	.PAD, seat	2	
10	95023-08016	BOLT, flange	2	



ILX010-6240

D4

FIG. 25 FRONT WHEEL



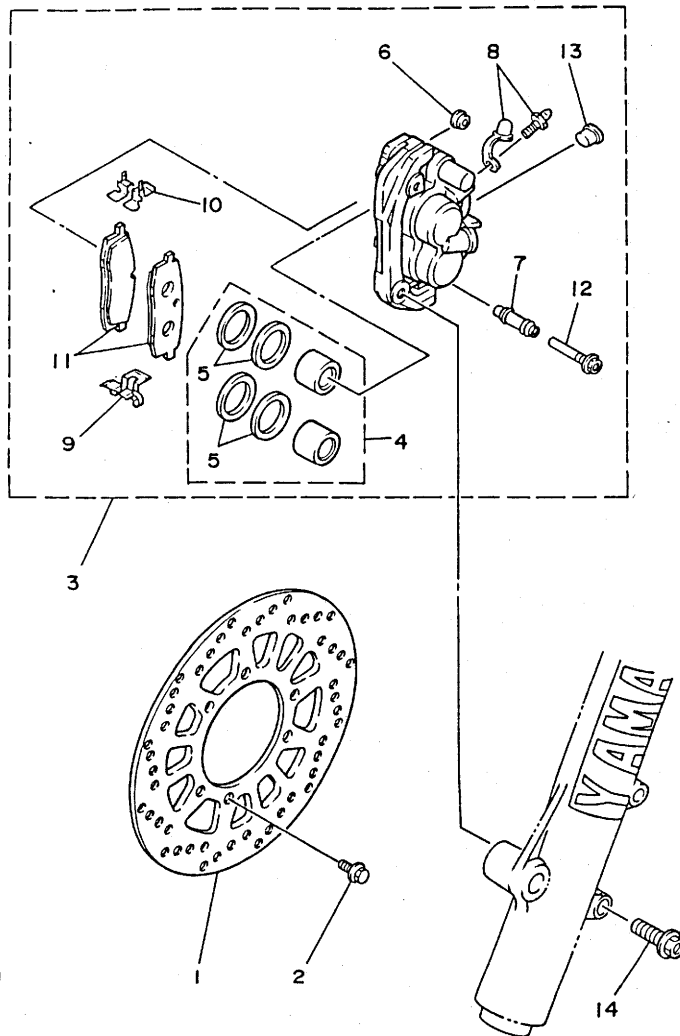
REF. NO.	PART NO.	DESCRIPTION	Q'TY	REMARKS
1	2HH-25111-00-98	HUB, front	1	LOW GLOSS BLACK
2	93306-20209	BEARING (B6202)	2	
3	90560-15240	SPACER	1	
4	93102-20281	OIL SEAL	2	
5	94416-21435	RIM (1.60-21)	1	GOLD
6	1LX-25104-00	SPOKE SET, front	1	
7	94108-215N7	TIRE	1	DUNLOP
8	94227-21123	TUBE (2.75-21)	1	BRIDGESTONE
9	94307-21145	BAND, rim (70-80/100-21)	1	DUNLOP
10	2J5-25394-01	SPACER, bead	1	
11	55U-25181-00	AXLE, wheel	1	
12	90387-157L9	COLLAR	1	
13	322-25118-00	COVER, hub dust	2	
14	90387-156R7	COLLAR	1	



2HH100-7250

D5

FIG. 26 FRONT BRAKE CALIPER

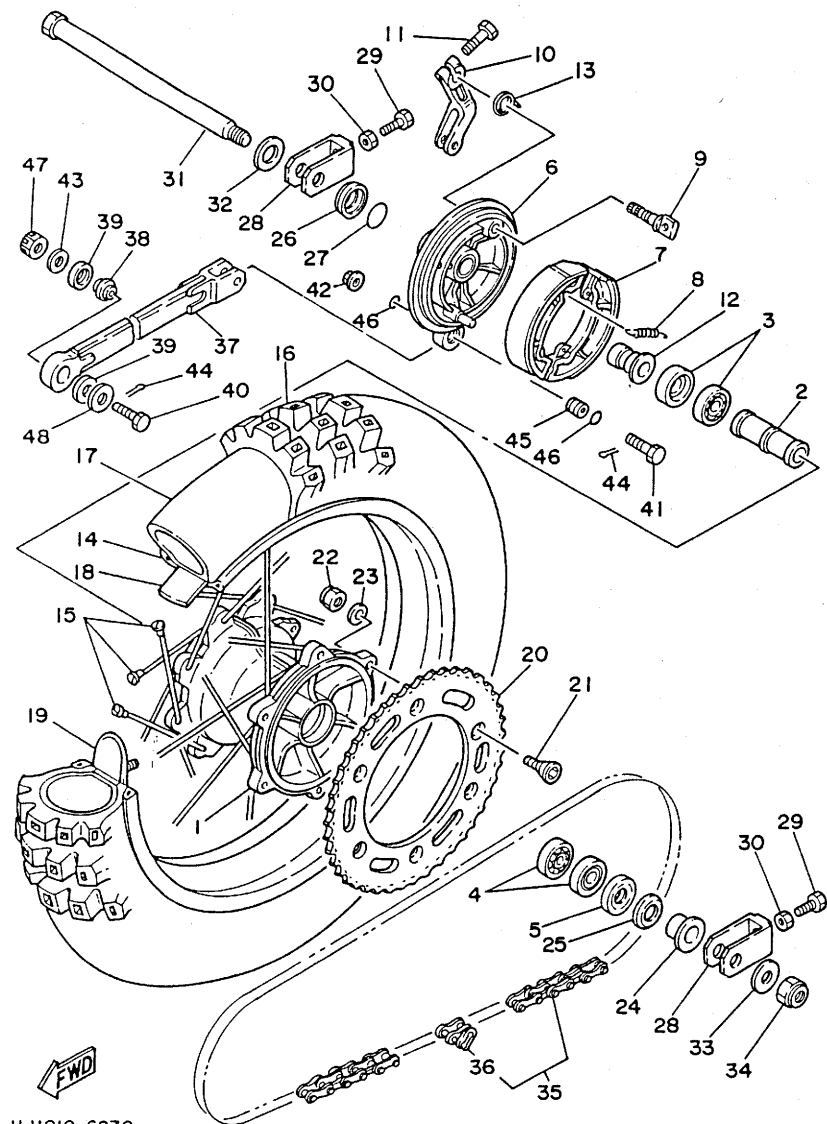


REF. NO.	PART NO.	DESCRIPTION	Q'TY	REMARKS
1	1LX-25831-00	DISC, brake (RIGHT)	1	
2	90109-06757	BOLT	6	
3	2HH-25810-00	CALIPER ASSY (RIGHT)	1	
4	56A-W0057-00	.PISTON ASSY, caliper	1	
5	56A-W0047-00	..CALIPER SEAL KIT	1	
6	5R2-25917-00	.BOOT, caliper	1	
7	56A-25937-00	.BOOT 2	1	
8	51L-W0048-00	.BREED SCREW KIT	1	
9	56A-25919-00	.SUPPORT, pad	1	
10	56A-25919-10	.SUPPORT, pad	1	
11	2HH-W0045-00	.BRAKE PAD KIT, front	1	
12	56A-25926-00	.BOLT	1	
13	34X-25845-00	.CAP, indicator	1	
14	95811-08045	BOLT, flange	2	



1LX010-6260

D6



ILU010-6270

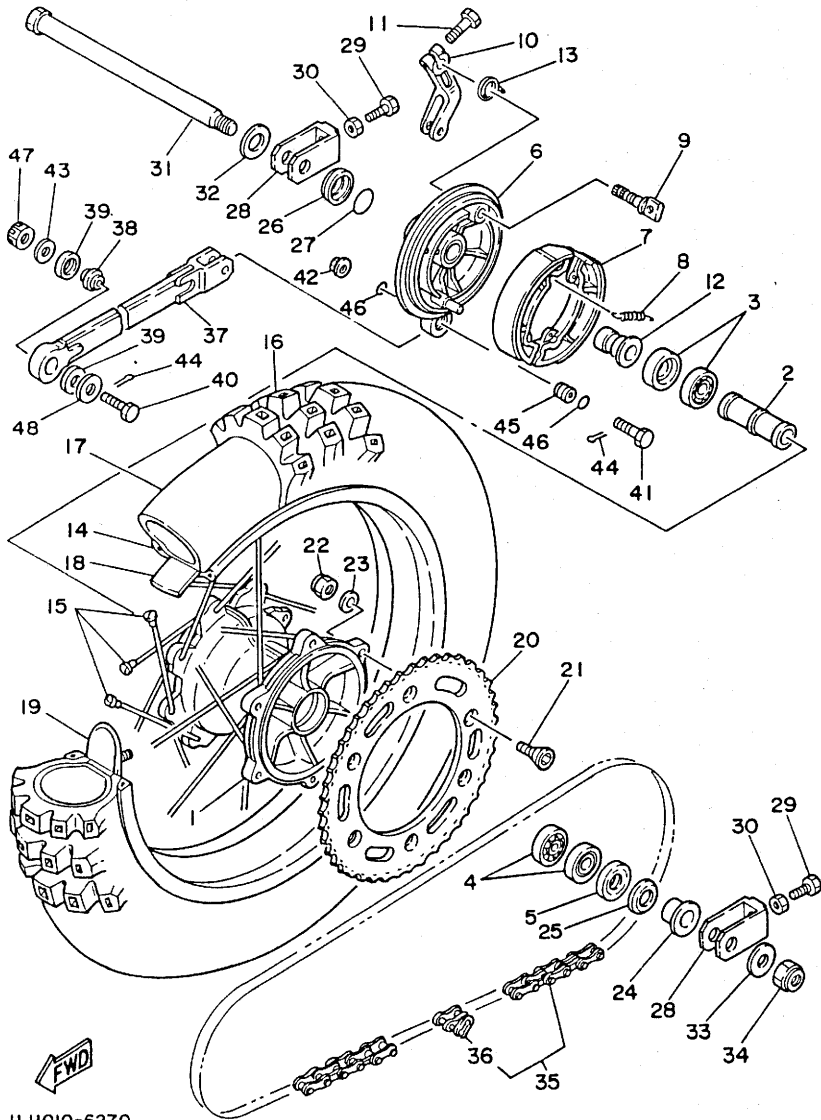
FIG. 27 REAR WHEEL

REF. NO.	PART NO.	DESCRIPTION	Q'TY	REMARKS
1	56A-25311-00-98	HUB, rear	1	LOW GLOSS BLACK
2	90560-20226	SPACER	1	
3	93306-00418	BEARING	2	
4	93306-00406	BEARING (B6004Z)	2	
5	93106-28023	OIL SEAL	1	
6	23X-25321-00-98	PLATE, brake shoe	1	LOW GLOSS BLACK
7	23X-W2536-00	BRAKE SHOE SET	1	
8	90506-17328	SPRING, tension	2	
9	39X-25351-00	CAMSHAFT	1	
10	5X4-25355-00	LEVER, camshaft	1	
11	90101-06291	BOLT	1	
12	90387-200H1	COLLAR	1	
13	90508-29596	SPRING, torsion	1	
14	94421-18442	RIM (2.15-18)	1	
15	2HH-25304-00	SPOKE SET, rear	1	
16	94111-185N6	TIRE	1	DUNLOP
17	94212-18188	TUBE (120/90-18)	1	DUNLOP
18	94309-18146	BAND, rim	1	DUNLOP
19	39X-25394-00	SPACER, bead	2	
20	2HH-25449-00	SPROCKET, driven (49T)	1	STD
	39W-25444-00	SPROCKET, driven (44T)	1	AP
	39W-25445-00	SPROCKET, driven (45T)	1	AP
	39W-25446-00	SPROCKET, driven (46T)	1	AP
	39W-25448-00	SPROCKET, driven (48T)	1	AP
	39W-25452-00	SPROCKET, driven (52T)	1	AP
21	90109-08706	BOLT	6	
22	95611-08100	NUT, u	6	
23	90201-081A6	WASHER, plate	6	

D7

FIG. 27 REAR WHEEL

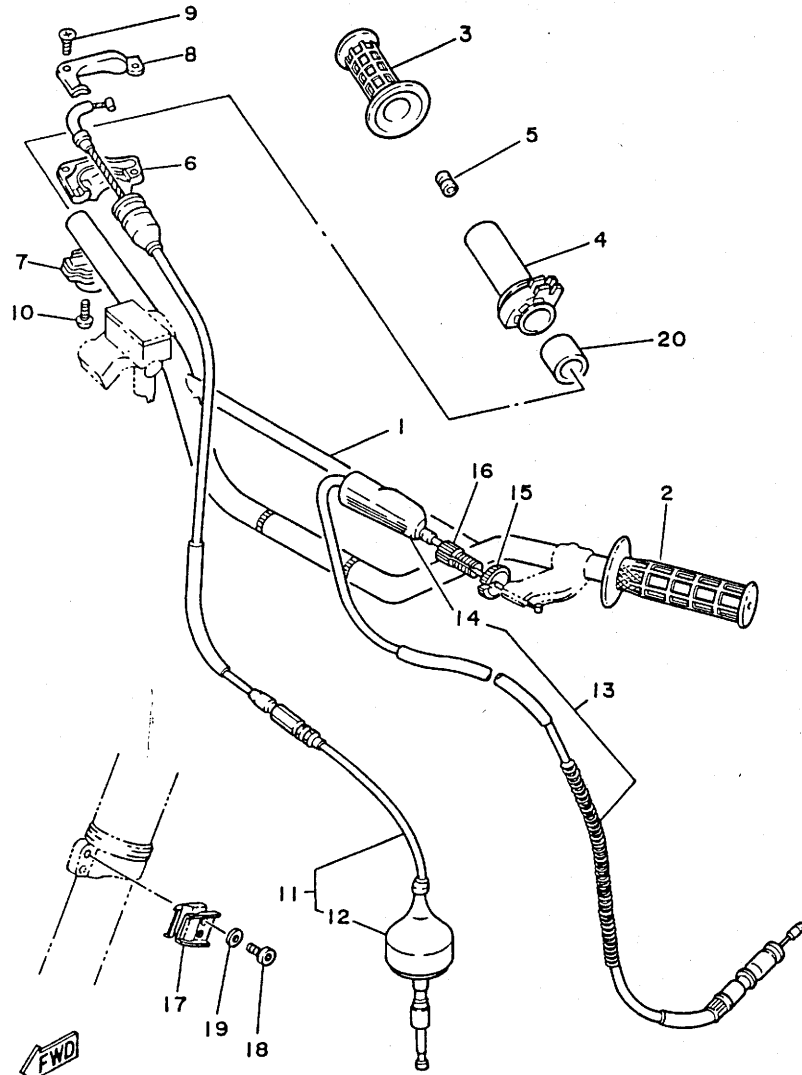
REF. NO.	PART NO.	DESCRIPTION	Q'TY	REMARKS
24	90387-200H2	COLLAR	1	
25	4V4-25367-00	COVER, hub dust	1	
26	23X-25327-00	COVER, plate	1	
27	93210-31114	O-RING	1	
28	56A-25388-01	PULLER, chain 1	2	
29	90101-08475	BOLT	2	
30	95303-08700	NUT	2	
31	23X-25381-00	AXLE, wheel	1	
32	90209-21243	WASHER	1	
33	90209-18244	WASHER	1	
34	90185-18104	NUT, self-locking	1	
35	94585-20114	CHAIN, drive (DID520DS 114L)	1	
36	94685-20001	.JOINT, chain (D.I.D 520DS)	1	
37	23X-25371-00	BAR, tension	1	
38	93399-99910	BEARING	1	
39	93112-19006	OIL SEAL	2	
40	90102-08062	BOLT, with hole	1	
41	90109-08370	BOLT	1	
42	90185-08113	NUT, self-locking	1	
43	92901-08600	WASHER, plate	1	
44	91401-20015	PIN, cotter	2	
45	90387-083F0	COLLAR	1	
46	93210-14167	O-RING	2	
47	95301-08900	NUT, slotted	1	
48	90201-08107	WASHER, plate	1	



ILU010-6270

D8

FIG. 28 STEERING HANDLE. CABLE



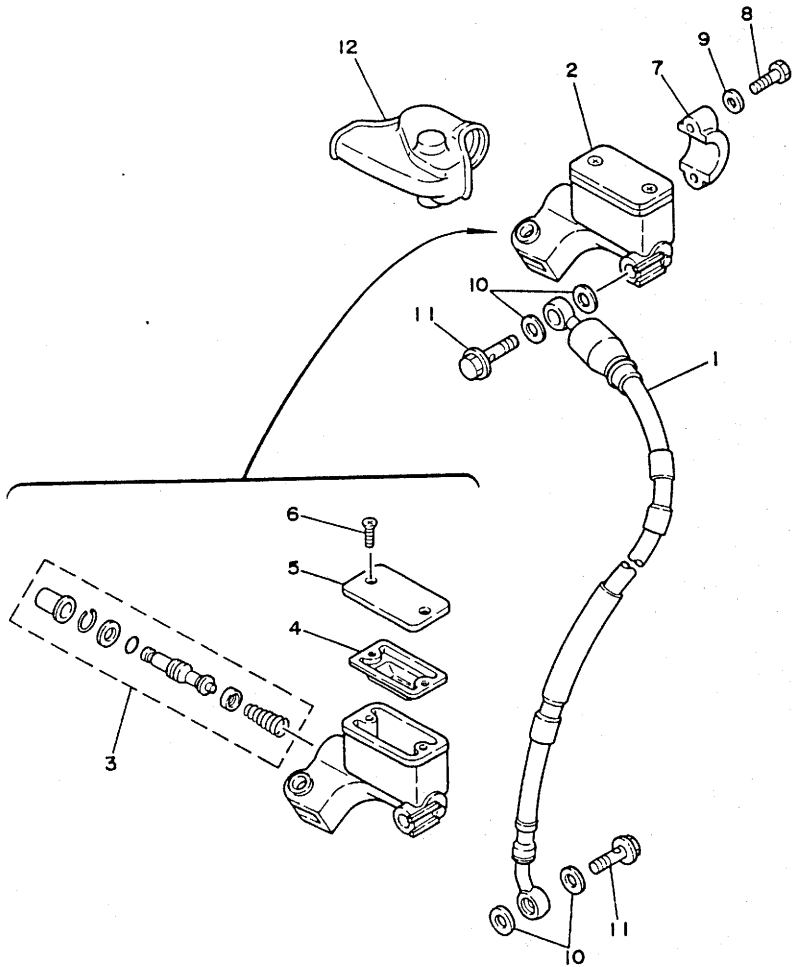
REF. NO.	PART NO.	DESCRIPTION	Q'TY	REMARKS
1	23X-26111-10	HANDLEBAR	1	
2	1LX-26241-01	GRIP (L.H)	1	
3	1LX-26242-01	GRIP (R.H)	1	
4	23X-26243-00	TUBE, throttle guide	1	
5	688-82535-00	GROMMET	1	
6	23X-26281-00	CAP, grip upper	1	
7	431-26282-01-98	CAP, grip lower	1	LOW GLOSS BLACK
8	5X2-2628H-01	CAP, wire	1	
9	98706-04012	SCREW, flat head	2	
10	98506-05016	SCREW, pan head	2	
11	23X-26311-00	CABLE, throttle 1	1	
12	510-26329-00	.CAP, rubber	1	
13	40T-26335-00	CABLE, clutch	1	
14	382-26372-01	.COVER, handle lever 1	1	
15	90179-08401	NUT	1	
16	90123-08090	BOLT	1	
17	90465-16258	CLAMP	2	
18	91311-06016	BOLT	2	
19	92901-06600	WASHER, plate	2	
20	90560-22281	SPACER	1	

ILV100-6250

D9

FIG. 29 FRONT MASTER CYLINDER

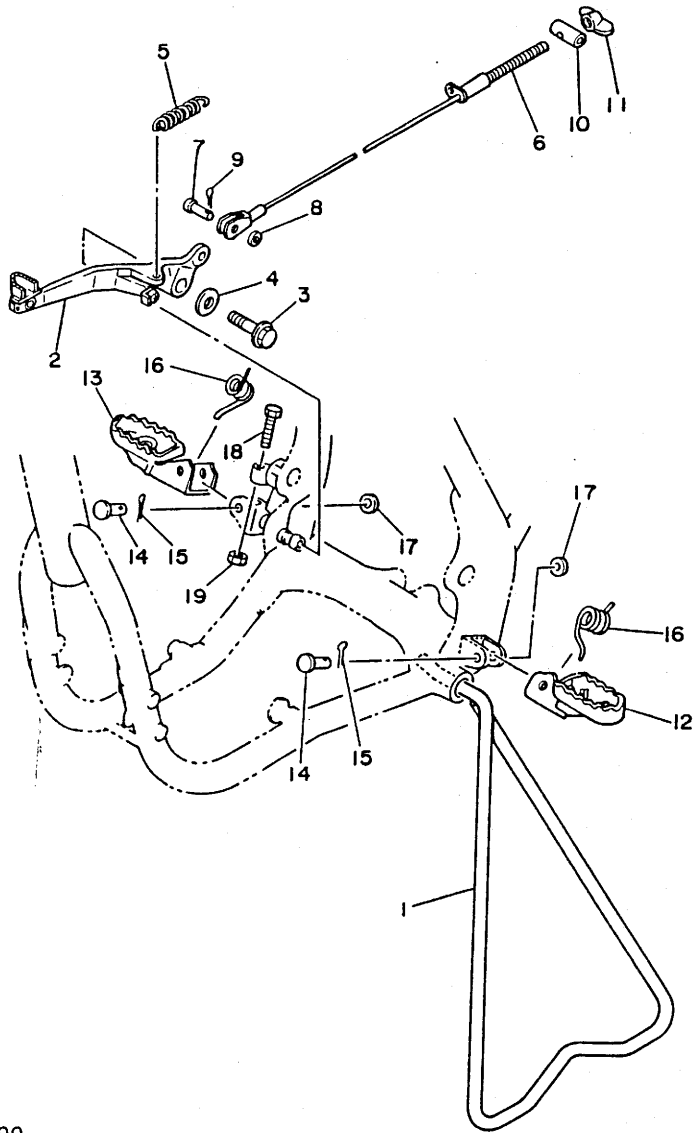
REF. NO.	PART NO.	DESCRIPTION	Q'TY	REMARKS
1	1RG-25872-10	HOSE, brake 1	1	
2	2HH-25850-00	MASTER CYLINDER ASSY	1	
3	56A-W0041-00	.CYLINDER KIT, master	1	
4	56A-25854-00	.DIAPHRAGM, reservoir	1	
5	56A-25852-00	.CAP, reservoir	1	
6	98706-04012	.SCREW, flat head	2	
7	56A-25867-00	BRACKET, master cylinder	1	
8	97326-06025	BOLT	2	
9	92906-06600	WASHER, plate	2	
10	90201-10118	WASHER, plate	4	
11	90401-10034	BOLT, union	2	
12	56A-26372-00	COVER, handle lever 1	1	



2HJ100-7260

D10

FIG. 30 STAND. FOOTREST



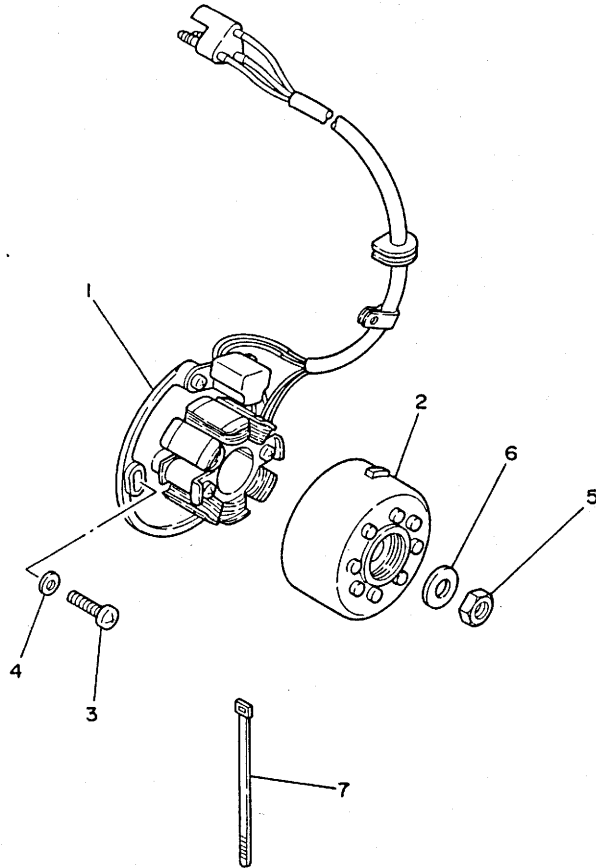
REF. NO.	PART NO.	DESCRIPTION	Q'TY	REMARKS
1	1LX-27311-00	STAND, side	1	
2	56A-27200-00	PEDAL, brake	1	
3	95023-08016	BOLT, flange	1	
4	90201-08730	WASHER, plate	1	
5	90506-16372	SPRING, tension	1	
6	39X-26351-00	CABLE, brake	1	
7	91790-08021	PIN, clevis	1	
8	90201-08544	WASHER, plate	1	
9	91401-25015	PIN, cotter	1	
10	90249-12008	PIN	1	
11	90175-06016	NUT, wing	1	
12	23X-27411-02	FOOTREST 1	1	
13	23X-27421-03	FOOTREST 2	1	
14	90240-10117	PIN, clevis	2	
15	91401-25015	PIN, cotter	2	
16	90508-20583	SPRING, torsion	2	
17	90201-10119	WASHER, plate	2	
18	97011-06020	BOLT	1	
19	95303-06700	NUT	1	

FWD
ILU010-6300

D11

FIG. 31 GENERATOR

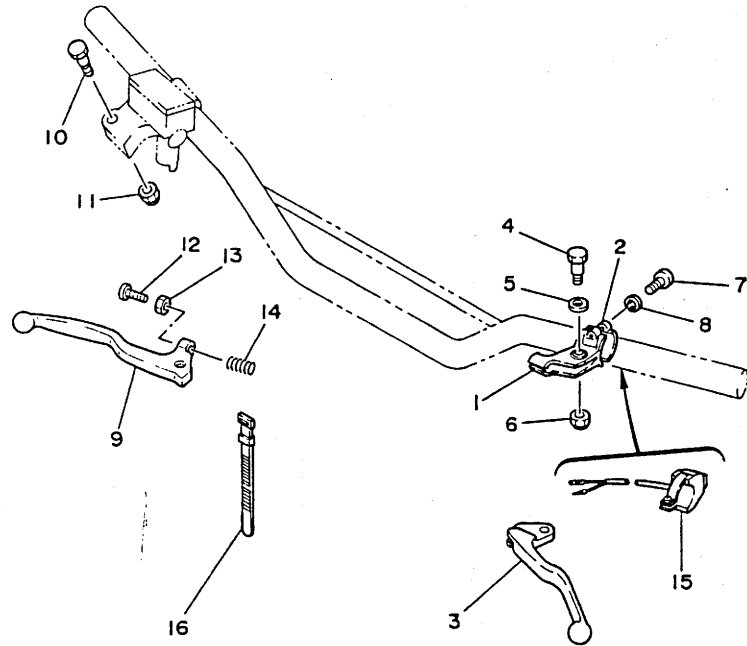
REF. NO.	PART NO.	DESCRIPTION	Q'TY	REMARKS
1	2HH-85510-K0	STATOR ASSY	1	
2	2HH-85550-K0	ROTOR ASSY	1	
3	92501-06020	SCREW, pan head	2	
4	92901-06600	WASHER, plate	2	
5	95311-10600	NUT	1	
6	90201-10774	WASHER, plate	1	
7	437-83936-10	BAND, switch cord	1	



2HH100-7310

D12

FIG. 32 HANDLE SWITCH. LEVER



REF. NO.	PART NO.	DESCRIPTION	Q'TY	REMARKS
1	38V-82911-00	HOLDER, lever 1	1	
2	38V-82913-00	HOLDER, lever lower 1	1	
3	23X-83912-00	LEVER 1	1	
4	90109-06797	BOLT	1	
5	90201-082A9	WASHER, plate	1	
6	95606-06100	NUT, u	1	
7	98506-05018	SCREW, pan head	2	
8	92906-05100	WASHER, spring	2	
9	55Y-83922-00	LEVER 2	1	
10	90109-06577	BOLT	1	
11	95606-06100	NUT, u	1	
12	90149-06153	SCREW	1	
13	90170-06010	NUT	1	
14	90501-10312	SPRING, compression	1	
15	23X-83976-00	SWITCH, handle 1	1	
16	437-83936-00	BAND, switch cord	2	

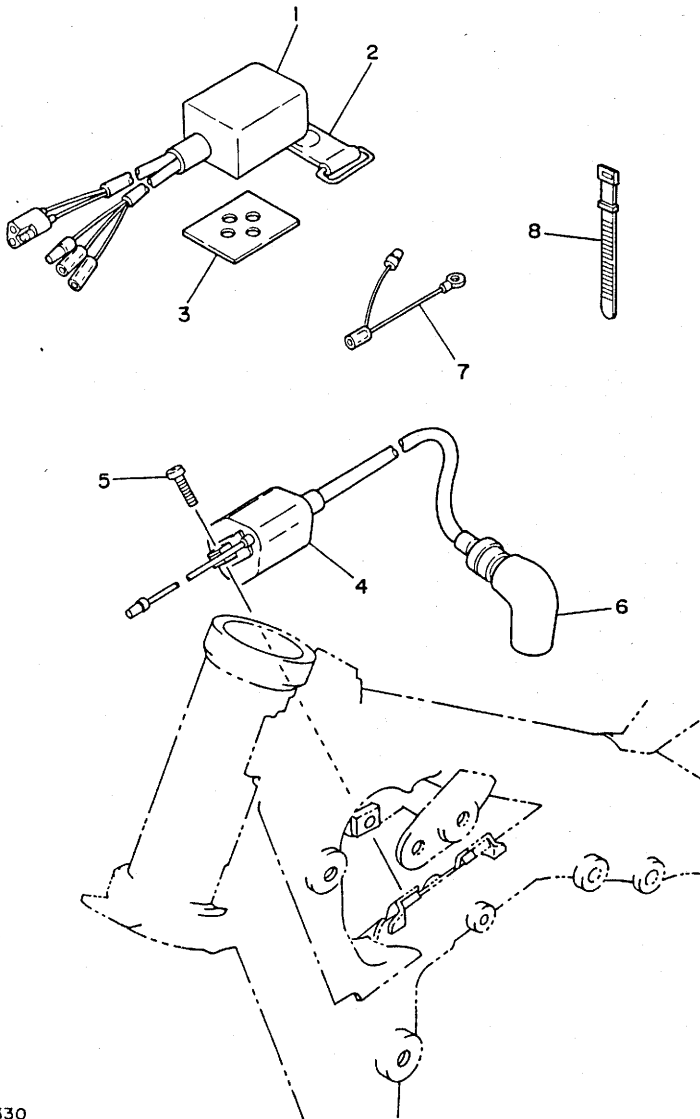


56A110-5320

D13

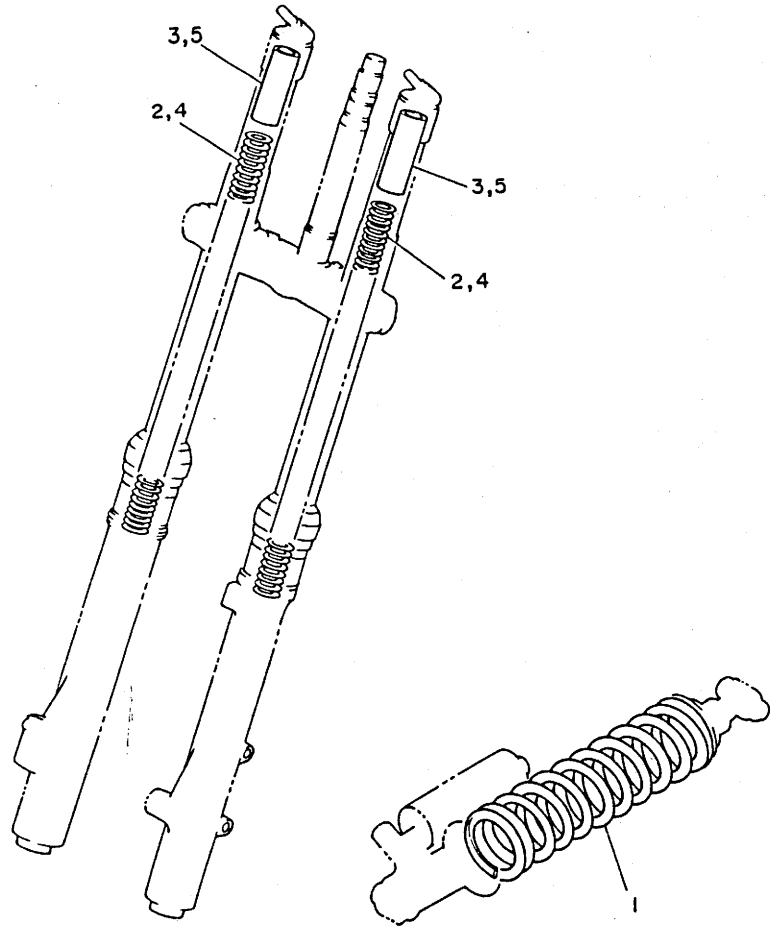
FIG. 33 ELECTRICAL 1

REF. NO.	PART NO.	DESCRIPTION	Q'TY	REMARKS
1	2HH-85540-K0	C.D.I. UNIT ASSY	1	
2	21V-21376-00	BAND, tool	1	
3	2K7-85547-00	DAMPER	1	
4	24X-82310-10	IGNITION COIL ASSY	1	
5	92502-06016	SCREW, pan head	2	
6	3R0-82370-20	PLUG CAP ASSY	1	UR
	1M1-82370-21	PLUG CAP ASSY	1	UR FOR S.AFRICA
7	5X1-82519-01	WIRE, earth lead	1	
8	25G-83936-00	BAND, switch cord	1	



2HH100-7330

FIG. 34 ALTERNATE 1 (CHASSIS)



REF. NO.	PART NO.	DESCRIPTION	Q'TY	REMARKS
1	2HH-22212-20-6W	SPRING (K=5.0)	1	AP NATIVE RED (SOFT)
	1LV-22212-00-6W	SPRING (K=5.5)	1	AP NATIVE RED (HARD)
2	2HG-23141-L0	SPRING, front fork (K=0.35)	2	} (SOFT) WITH SET
3	1LV-23118-10	SPACER (K=90)	2	
4	2HH-23141-20	SPRING, front fork (K=0.40)	2	} (HARD) WITH SET
5	5X6-23118-L0	SPACER (L=50)	2	



2HH100-7340

D15

FIG. 35 REPAIR KIT

REF. NO.	PART NO.	DESCRIPTION	Q'TY	REMARKS
1	1LU-11630-01	PISTON ASSY (STD)	1	AP
2	1LU-11631-01-93	.PISTON (STD)	1	
3	56A-11601-00	.PISTON RING SET (STD)	1	
4	214-11633-00	.PIN, piston	1	
5	93450-19052	.CIRCLIP	2	
6	1LU-11630-11	PISTON ASSY (1ST O/S)	1	AP
7	1LU-11635-01	.PISTON (0.25MM O/S)	1	
8	56A-11601-10	.PISTON RING SET (1ST O/S)	1	
9	214-11633-00	.PIN, piston	1	
10	93450-19052	.CIRCLIP	2	
11	1LU-11630-21	PISTON ASSY (2ND O/S)	1	AP
12	1LU-11636-01	PISTON (0.50MM O/S)	1	
13	56A-11601-20	.PISTON RING SET (2ND O/S)	1	
14	214-11633-00	.PIN, piston	1	
15	93450-19052	.CIRCLIP	2	
16	1LU-11630-31	PISTON ASSY (3RD O/S)	1	AP
17	1LU-11637-01	.PISTON (0.75MM O/S)	1	
18	56A-11601-30	.PISTON RING SET (3RD O/S)	1	
19	214-11633-00	.PIN, piston	1	
20	93450-19052	.CIRCLIP	2	
21	24Y-11650-01	CONNECTING ROD ASSY	1	AP
22	2X4-11681-00	.PIN, crank 1	1	
23	24Y-11651-01	.ROD, connecting	1	
24	90209-25085	.WASHER	2	
25	93310-425N4	.BEARING, cylindrical	1	
26	93310-418E9	.BEARING, cylindrical	1	

NUMERICAL INDEX

PART NO.	GRID NO.	PART NO.	GRID NO.	PART NO.	GRID NO.	PART NO.	GRID NO.	PART NO.	GRID NO.	PART NO.	GRID NO.
56A-W0041-00	D-10	5X5-11911-01	B- 4	510-14141-54	B- 9	56A-15383-00	B-12	2HH-21110-00-UJ	C- 6	43M-23111-LO	C-14
2HH-W0045-00	D- 6	5X5-11912-01	B- 4	510-14141-56	B- 9	39X-15411-00	B-13	1HX-2135F-00	C-11		C-15
56A-W0047-00	D- 6	55Y-11915-00	B- 3	193-14142-25	B- 9	23X-15421-00	B-13	21V-21376-00	D-14	1LV-23118-10	D-15
51L-W0048-00	D- 6	5X5-11921-00	B- 4	193-14142-30-A0	B- 9	24Y-15431-00	B-13	24Y-21415-00	C- 6	2HH-23118-LO	C-14
56A-W0057-00	D- 6	5X5-11922-00	B- 4	193-14142-35	B- 9	5X5-15451-00	B-13	1LU-21425-00	C- 6		C-15
2HH-W1131-00	B- 2	1LU-11931-00	B- 4	137-14143-66	B- 9	5X5-15462-00	B-13	1LU-21426-00	C- 6	5X6-23118-LO	D-15
39W-W1132-00	B- 2	5X5-11937-00	B- 2	137-14143-68	B- 9	24Y-15618-00	B-14	5X6-21511-10	C- 7	4H7-23119-00	C-14
1LU-W1441-00	B- 8	5X5-11951-00	B- 4	137-14143-70	B- 9	1LU-15620-00	B-14	1LX-21611-00	C- 7		C-15
23X-W2536-00	D- 7	5X5-11952-00	B- 4	137-14143-72	B- 9	24Y-15621-00	B-14	50W-21631-00	C- 4	55Y-2312G-MO	C-14
5X4-Y113F-00	B- 2	5X5-11953-00	B- 4	137-14143-74	B- 9	3R4-15641-00	B-14	39X-21642-00	C- 7		C-15
2HH-11111-00	B- 2	1LU-11990-00	B- 4	509-14145-00	B-10	3R4-15651-00	B-14	1LX-21711-01-98	C- 8	4V4-23125-LO	C-14
2HH-1131A-00	B- 2	1LU-11992-00	B- 3	3R4-14146-00	B-10	56A-15661-00	B-14	24Y-2172A-00	C- 8		C-15
5X4-1131N-00	B- 2	1LU-11993-00	B- 3	558-14147-00	B-10	3R4-15664-00	B-14		C- 8	2HH-23126-LO	C-14
1LU-11351-00	B- 2	39X-11995-00	B- 3	5X5-14153-00	B-10	2HH-16110-00	B-15	1LX-21721-00	C- 8	122-23129-00	C-14
56A-11400-01	B- 5	1LU-1240A-00	B- 7	5Y9-14158-00	B- 9	2HH-16150-00	B-15	2HH-2173L-00	C- 8		C-15
24Y-11412-01	B- 5	39X-12422-00	B- 6	363-14184-00	B- 9	2K7-16154-00	B-15	2HH-21731-00	C- 8	2HH-23136-LO	C-15
24Y-11422-01	B- 5	5X5-12428-00	B- 6	2N7-14185-00	B- 9		B-15	2HH-2174F-00	C- 8	2HG-23141-LO	D-15
56A-11601-00	B- 5	39X-12450-00	B- 6	537-14186-00	B- 9	2K7-16181-00	B-15	2HH-2174L-00	C- 8	2HH-23141-LO	C-14
	E- 2	2HH-12459-00	B- 6	2K7-14197-00	B- 9	5X5-16321-00	B-15	2HH-21741-00	C- 8		C-15
56A-11601-10	B- 5	1LX-12460-00	B- 7	310-14197-00	B- 9	4H7-16325-00	B-15	22W-21791-00	C- 9	2HH-23141-20	D-15
	E- 2	22W-12462-00	B- 7	2HH-14451-00	B- 8	23X-16351-00	B-15	1LV-22110-01	C-10	4V4-23142-LO	C-14
56A-11601-20	B- 5	24X-12469-00	B- 7	1LX-14452-00	C- 8	23X-16356-00	B-15	156-22127-00	C-10		C-15
	E- 2	1LU-12476-00	B- 7	39X-14452-00	C- 8	2K7-16357-01	B-15	3R4-22129-00	C-10	1LX-23144-LO	C-14
56A-11601-30	B- 5	1LU-12477-00	B- 7	1LU-14453-00	B- 8	23X-16371-00	B-15	1LX-22141-00	C-10		C-15
	E- 2	1LU-1248A-00	B- 7	39X-14457-00	B- 8	1LU-16380-00	B-15	1LX-22151-00	C-10	23X-23144-LO	C-14
1LU-11630-01	E- 2	1LU-12481-00	B- 7	2HH-14458-00	B- 8	24Y-17121-00	C- 2	1LX-2217A-00	C-10		C-15
1LU-11630-11	E- 2	1LU-12482-00	B- 7	56A-14459-00	B- 8	2HH-17131-00	C- 2	1LX-2217F-00	C-11	23X-23145-LO	C-14
1LU-11630-21	E- 2	1LU-12483-00	B- 7	39X-14462-00	B- 8	2HH-17141-00	C- 2	1LX-2217G-00	C-11		C-15
1LU-11630-31	E- 2	39X-12484-00	B- 7	2HH-14468-00	B- 8	39X-17151-00	C- 2	2HH-22178-00	C- 6	4V4-23146-LO	C-14
1LU-11631-01-93	B- 5	39X-12485-00	B- 7	1LU-14477-00	B- 8	24Y-17211-00	C- 2	2HH-2218A-00	C-11		C-15
	E- 2	137-13115-00	B-12	2HH-14610-00	B-11	24Y-17221-01	C- 2	39W-22199-01	C-10	3J2-23147-00	C-14
1LU-11631-01-94	B- 5	39X-13565-00	B- 8	3R4-14613-00	B-11	5X5-17231-01	C- 2	2HH-22201-00	C-12		C-15
214-11633-00	B- 5	56A-13610-01	B- 8	2HH-1469A-00	B-11	2HH-17241-00	C- 2	2HH-22210-00-6W	C-12	2HH-23151-LO	C-14
	E- 2	56A-13613-00	B- 8	2HH-1469A-10	B-11	39X-17251-00	C- 2	23X-22211-00	C-12		C-15
	E- 2	56A-13616-00	B- 8	1LX-14744-00	B-11	24Y-17411-00	C- 2	1LV-22212-00-6W	D-15	4V4-23153-LO	C-14
	E- 2	39X-13621-00	B- 8	39X-14747-00	B-11	5X5-17421-00	C- 2	1LV-22212-10-6W	C-12		C-15
	E- 2	24X-1410A-00	B-10	2HH-14753-00	B-11	23X-17461-30	C- 2	2HH-22212-20-6W	D-15	4V4-23157-LO	C-14
1LU-11635-01	B- 5	2HH-14101-00	B- 9	2HH-14753-10	B-11	3Y1-17461-40	C- 2	5X6-22214-00	C-12		C-15
	E- 2	23X-14103-00	B- 9	24Y-14771-00	B-11	3Y1-17461-50	C- 3	1LX-22223-00	C-12	2HH-23158-LO	C-14
1LU-11636-01	B- 5	23X-14104-00	B- 9	565-14771-00	B-11	23X-18101-00	C- 5	1LX-22225-00	C-12		C-15
	E- 2	23X-14106-00	B- 9	23X-1490J-00	B- 9	23X-18110-01	C- 5	39W-22417-00	C-12	2HH-2316A-LO	C-14
1LU-11637-01	B- 5	23X-14107-35	B- 9	5X5-15111-03	B-12	3R4-18140-00	C- 4	483-22419-01	C-12		C-15
	E- 2	2X8-14112-30	B- 9	5X5-15113-00	B-12	5X5-18511-00	C- 4	1LV-22463-00	C-12	1LX-23167-LO	C-15
24Y-11650-01	E- 2	2X8-14112-35	B- 9	3R4-15118-00	B-12	4V3-18512-00	C- 4	2HH-23102-LO	C-14	2HH-23170-LO	C-14
24Y-11651-01	B- 5	2X8-14112-40	B-10	5X5-15121-01	B-12	5X5-18513-00	C- 4	2HH-23103-LO	C-14		C-15
	E- 2	510-14115-00	B-10	1G8-15362-00	B-13	5X5-18531-01	C- 4	1LX-23108-00	D- 2	4V4-23171-LO	C-14
2X4-11681-00	B- 5	431-14131-00	B- 9	56A-15378-00	B-13	5X5-18535-01	C- 4	2HH-23110-LO	C-14		C-15
	E- 2	510-14141-52	B- 9	23X-15381-00	B-12	24Y-18540-00	C- 4		C-15	2HH-23173-LO	C-14

NUMERICAL INDEX

PART NO.	GRID NO.	PART NO.	GRID NO.	PART NO.	GRID NO.	PART NO.	GRID NO.	PART NO.	GRID NO.	PART NO.	GRID NO.
2HH-23173-LO	C-15	5X4-25355-00	D-7	3R0-82370-20	D-14	90152-06010	B-14	90201-100F7	C-12	90387-086N4	C-6
2HH-2318R-00	C-14	4V4-25367-00	D-8	5X1-82519-01	D-14	90159-05100	C-8	90201-101J1	C-6	90387-102F3	B-2
	C-15	23X-25371-00	D-8	688-82535-00	D-9		C-8	90201-10118	D-10	90387-126H8	C-12
4V4-23188-LO	C-14	23X-25381-00	D-8	38V-82911-00	D-13	90159-06013	C-8	90201-10119	D-11	90387-127G8	C-12
	C-15	56A-25388-01	D-8	38V-82913-00	D-13		C-8	90201-105H9	B-6	90387-152F2	B-4
34K-2319U-00	C-13	2J5-25394-01	D-5	23X-83912-00	D-13	90159-06016	B-15	90201-106F2	C-10	90387-156R7	D-5
23X-23190-LO	C-14	39X-25394-00	D-7	55Y-83922-00	D-7	90170-06010	D-13	90201-10774	D-12	90387-157L9	D-5
	C-15	39W-25444-00	D-7	25G-83936-00	D-14	90170-20255	B-15	90201-120E6	C-12	90387-160H4	B-12
	D-2	39W-25445-00	D-7	437-83936-00	C-7	90175-06016	C-7	90201-14740	C-11	90387-164N1	C-11
43M-23191-LO	D-2	39W-25446-00	D-7		D-13	90176-08026	B-2	90201-154E9	B-4	90387-164N2	C-10
43M-23192-LO	D-2	39W-25448-00	D-7	437-83936-10	B-7	90179-08401	D-9		B-4	90387-164N3	C-10
2HH-23340-LO	D-2	2HH-25449-00	D-7		D-12	90179-10280	C-6	90201-154F5	B-4		C-11
3R4-23389-00	C-13	2HH-25452-00	D-7	23X-83976-00	D-13	90179-12244	B-14	90201-154F6	B-4	90387-200H1	D-7
5Y3-23393-00	C-15	2HH-25810-00	D-6	2HH-85510-K0	D-12	90179-20255	C-3	90201-164H4	C-10	90387-200H2	D-8
1LX-23395-00	C-13	1LX-25831-00	D-6	2HH-85540-K0	D-14	90179-22330	C-13		C-11	90387-252F6	B-15
1W1-23416-00	C-13	34X-25845-00	D-6	2K7-85547-00	D-14	90179-25033	C-13	90201-17327	B-15	90387-25663	C-2
39W-23435-01-98	C-13	2HH-25850-00	D-10	2HH-85550-K0	D-12	90185-08106	C-6	90201-17545	B-14	90401-10034	D-10
1E6-23441-00	C-13	56A-25852-00	D-10	90101-06291	D-7		C-10	90201-186H3	B-15	90402-10005	C-10
5X6-23485-11	C-13	56A-25854-00	D-10	90101-08475	D-8	90185-08113	C-6	90201-20278	C-2	90430-06016	B-6
43M-23489-LO	D-2	56A-25867-00	D-10	90101-14648	C-10		C-6	90201-20358	B-14	90430-06192	B-2
1LU-24110-00	D-3	1RG-25872-10	D-10	90102-08062	D-8		D-8	90201-22555	C-2	90430-12038	B-12
5X6-2412F-00	D-3	5R2-25917-00	D-6	90105-06138	C-7	90185-10120	C-12	90201-253K0	C-2	90445-08605	B-2
24X-24144-00	D-3	56A-25919-00	D-6	90105-08091	C-13		C-12	90202-06010	D-3	90445-09100	B-12
59V-24173-00	D-3	56A-25919-10	D-6	90105-08214	C-6	90185-14096	C-11	90202-08022	C-6	90445-11587	D-3
1LX-24181-00	D-3	56A-25926-00	D-6	90105-08449	C-6	90185-14112	C-11	90209-17235	C-2	90446-09079	D-3
22W-24181-00	D-3	56A-25937-00	D-6	90109-06551	B-11	90185-16127	C-10	90209-18135	C-2	90460-12268	B-7
23X-24184-00	C-8	23X-26111-10	D-9	90109-06577	D-13	90185-18104	D-8	90209-18244	D-8	90460-25288	B-7
2HH-24254-00	C-8	1LX-26241-01	D-9	90109-06757	D-6	90185-18126	B-15	90209-21243	D-8	90460-31253	B-7
	D-3	1LX-26242-01	D-9	90109-06797	D-13	90201-057K1	B-4	90209-22082	C-2	90460-51109	B-8
1LU-24500-00	D-3	23X-26243-00	D-9	90109-08370	D-8	90201-06067	C-10	90209-25085	B-5	90460-68199	B-8
4X8-24512-00	D-3	5X2-2628H-01	D-9	90109-08573	B-11	90201-06070	D-3		E-2	90460-68199	B-8
4X8-24534-00	D-3	23X-26281-00	D-9	90109-08706	D-7	90201-063A5	C-8	90215-20212	B-15	90465-06247	B-13
5X7-24611-01	D-3	431-26282-01-98	D-9	90109-08706	C-12	90201-06570	B-7	90215-21239	C-3	90465-16258	D-9
5X7-24612-00	D-3	23X-26311-00	D-9	90109-10700	C-12	90201-06571	C-7	90240-10117	D-11	90467-09006	B-7
509-24724-00	D-4	510-26329-00	D-9	90116-08392	B-2		C-8	90249-12008	D-11	90467-10008	D-3
1LX-24731-00	D-4	40T-26335-00	D-9	90116-08394	B-2		C-8	90280-03045	B-5	90468-26177	B-14
1LX-24738-01	D-4	39X-26351-00	D-11	90116-10313	B-2		C-13	90340-12095	B-12	90480-15064	B-7
107-24741-00	D-4	382-26372-01	D-9	90116-10314	B-2	90201-08087	B-2	90380-15104	B-4	90480-18276	B-7
5X6-24748-10	D-4	56A-26372-00	D-10	90119-06056	B-8	90201-081A6	C-6	90380-16158	C-10	90480-18354	D-3
1LX-24770-00	D-4	23X-26393-00	B-12	90119-06063	C-7		D-7	90381-08002	B-6	90501-10312	D-13
1LX-25104-00	D-5	56A-27200-00	D-11	90119-06081	B-8	90201-08107	D-8	90381-16060	C-10	90501-13720	B-14
2HH-25111-00-98	D-5	1LX-27311-00	D-11	90119-06117	C-7	90201-082A9	D-13	90387-06387	D-3	90501-23346	B-15
322-25118-00	D-5	23X-27411-02	D-11	90122-06025	B-8	90201-08512	B-6	90387-06681	C-7	90501-24745	B-4
55U-25181-00	D-5	23X-27421-03	D-11	90123-08090	D-9	90201-08544	D-11	90387-07392	B-7	90504-03033	B-8
2HH-25304-00	D-7	1LU-28100-00	C-6	90123-14104	C-11	90201-08612	B-11	90387-07573	B-7	90506-16372	D-11
56A-25311-00-98	D-7	2X4-2811A-00	C-6	90149-06011	D-3	90201-08730	B-11	90387-081A3	B-11	90506-17328	D-7
23X-25321-00-98	D-7	24X-82310-10	D-14	90149-06153	D-13		D-11	90387-083F0	D-8	90507-20030	B-11
23X-25327-00	D-8	1M1-82370-21	D-14	90149-06178	B-15	90201-100E9	C-12	90387-083F4	B-4	90508-14423	B-15
39X-25351-00	D-7										

NUMERICAL INDEX

PART NO.	GRID NO.	PART NO.	GRID NO.	PART NO.	GRID NO.	PART NO.	GRID NO.	PART NO.	GRID NO.	PART NO.	GRID NO.
90508-20583	D-11	92901-06600	D-12	93210-14104	B-13	93603-14179	B- 4	97313-06016	B-11		
90508-26608	C- 4	92901-08200	C- 8	93210-14167	D- 8	93603-22028	B- 6		D- 3		
90508-29361	C- 5			93210-19216	B-14	93604-10011	B- 6	97313-06035	D- 3		
90508-29596	D- 7	92901-08600	B-11	93210-27244	B- 2	93606-14154	C- 4	97313-08016	B-11		
90508-30422	B-14			93210-31114	D- 8	93608-25150	C- 5	97326-06025	D-10		
90560-12171	C- 5			93210-56743	B-11	94108-215N7	D- 5	97801-03008	D- 3		
90560-15240	D- 5	92901-10200	C- 6	93210-77363	B- 2	94111-185N6	D- 7	98001-06020	C-10		
90560-20226	D- 7	92906-05100	D-13	93211-17405	D- 2	94212-18188	D- 7	98501-04006	C-12		
90560-22281	D- 9	92906-06100	B-13	93300-20501	C- 2	94227-21123	D- 5	98501-05016	B- 9		
91311-06016	D- 9	92906-06600	B-13		C- 2	94307-21145	D- 5	98506-04018	D- 2		
91316-04006	B- 4			93300-60814	B- 4	94309-18146	D- 7	98506-05010	B- 3		
91316-06020	B- 8			93300-60816	C- 6	94416-21435	D- 5	98506-05012	B- 2		
91316-06040	B-12			93306-00004	B- 4	94421-18442	D- 7	98506-05014	B- 3		
91316-06045	B-12			93306-00106	C- 4	94585-20114	D- 8	98506-05016	D- 9		
91316-06055	B-12			93306-00406	D- 7	94685-20001	D- 8	98506-05018	B- 3		
91316-06060	B-12	92990-03100	B- 8	93306-00418	D- 7	95021-08045	C- 6		D-13		
91401-20015	D- 8	92990-05100	B- 9	93306-20209	D- 5	95023-08016	D- 4	98580-03008	B- 8		
91401-25015	D-11	92990-06100	B-11	93306-20627	B- 5		D-11	98706-04012	D- 9		
	D-11				B- 5	95301-08900	D- 8		D-10		
91790-08021	D-11		B-15	93310-418E9	B- 5	95303-06600	B-15	98980-06020	D- 3		
92501-06010	B-11		C- 8		E- 2	95303-06700	D-11	99001-07600	B- 6		
	B-12		C- 8	93310-425N4	E- 2	95303-08700	D- 8	99009-17400	B-14		
92501-06012	B-12		D- 2	93310-425T1	B- 5	95311-10600	D-12	99510-10114	B- 2		
	C-13		D- 3	93311-41734	C- 2	95601-05100	B- 4	99510-12016	B-12		
	D- 3		D- 3	93311-62035	C- 2		B- 8	99530-14016	B- 2		
	D- 4		D- 3	93315-21721	B-15	95606-06100	D-13				
92501-06014	C- 8	92990-08100	B-11	93315-22045	C-11		D-13				
	C- 8		B-11	93315-22046	C-10	95611-08100	D- 7				
92501-06020	D-12		C- 9	93317-32231	C-10	95701-08500	D- 2				
92501-08010	B-12	93102-12106	C- 5	93332-00008	C-13	95701-10500	B- 2				
92502-06016	D-14	93102-17263	B-15	93332-00023	C-13	95801-06012	D- 4				
92506-06008	B-13	93102-20281	D- 5	93342-22208	C-10	95802-08045	C-10				
92506-06016	C- 8	93102-20309	B-14	93399-99910	D- 8	95811-08045	D- 6				
92506-06025	B- 6	93102-32M07	C- 2	93399-99916	C-12	95811-08055	C- 6				
	B-13	93103-10147	B- 6	93410-20038	C- 2	95811-10016	C-10				
	B-13	93103-30150	B- 5	93410-22039	C- 2	95811-10055	C- 6				
	B-13	93103-40091	B- 5	93440-25084	C- 2	95816-06025	B- 6				
92506-06040	B-13	93104-08040	B- 4	93440-30113	C-12	95821-08020	C- 6				
92506-06065	B-13	93104-16074	B- 2	93450-19052	B- 5	95821-08025	B-11				
92516-06030	B-13	93104-18077	C-12		E- 2	95821-08035	C-13				
92701-06012	B-12	93106-22019	C-10		E- 2	95821-08055	D- 2				
92901-05600	B- 4	93106-28023	D- 7		E- 2	95826-06012	B- 2				
92901-06600	B- 7	93108-35004	C-10		E- 2	97001-06020	B- 7				
	B- 7	93109-20029	C-10	93450-28063	C-11	97001-06030	B- 7				
	B-11		C-11		C-11	97001-08050	C- 9				
	D- 3	93112-19006	D- 8	93501-04011	B-14	97001-08060	B-11				
	D- 4	93210-08483	C-12	93515-32029	B-15	97011-06020	D-11				
	D- 9	93210-09192	B- 2	93521-64032	B- 4	97311-06025	C- 5				